



US00D952786S

(12) **United States Design Patent**  
**Garwood**

(10) **Patent No.:** **US D952,786 S**

(45) **Date of Patent:** **\*\* May 24, 2022**

- (54) **FIREARM ROTOR**
- (71) Applicant: **TMP Weapons, LLC**, Reno, NV (US)
- (72) Inventor: **Tracy Warren Garwood**, Reno, NV (US)
- (73) Assignee: **TMP Weapons, LLC**, Reno, NV (US)
- (\*\*) Term: **15 Years**

- 8,136,515 B2 \* 3/2012 Galinson ..... F41B 11/54  
124/71
- 8,276,496 B2 \* 10/2012 Garwood ..... F41F 1/10  
89/12
- 9,671,185 B2 \* 6/2017 Rowe ..... F41A 17/36
- 9,719,740 B2 \* 8/2017 Rowe ..... F41A 9/31
- 9,897,405 B2 \* 2/2018 Rowe ..... F41A 9/58
- D837,922 S \* 1/2019 McDonald ..... D22/108
- 10,359,245 B2 \* 7/2019 Abbott ..... F41A 9/30

(Continued)

- (21) Appl. No.: **29/798,802**
- (22) Filed: **Jul. 9, 2021**
- (51) **LOC (13) Cl.** ..... **22-01**
- (52) **U.S. Cl.**  
USPC ..... **D22/108**
- (58) **Field of Classification Search**  
USPC ..... D22/100, 103, 108, 109, 110, 199  
CPC . F41G 11/003; F41G 1/14; F41G 1/38; F41G  
1/16; F41G 1/02; F41G 1/06; F41A  
23/005; F41A 9/36; F41C 23/16; F41B  
11/54  
See application file for complete search history.

**OTHER PUBLICATIONS**

“Untitled” [online]. The firearm blog. Retrieved from the Internet:  
<[https://www.thefirearmblog.com/blog/wp-content/uploads/2017/08/20838494\\_110660239654381\\_6355977945068077056\\_n-700x700.jpg](https://www.thefirearmblog.com/blog/wp-content/uploads/2017/08/20838494_110660239654381_6355977945068077056_n-700x700.jpg)> (Year: 2017).\*

*Primary Examiner* — Mojtaba Tehrani  
(74) *Attorney, Agent, or Firm* — Procopio Cory  
Hargreaves and Savitch LLP

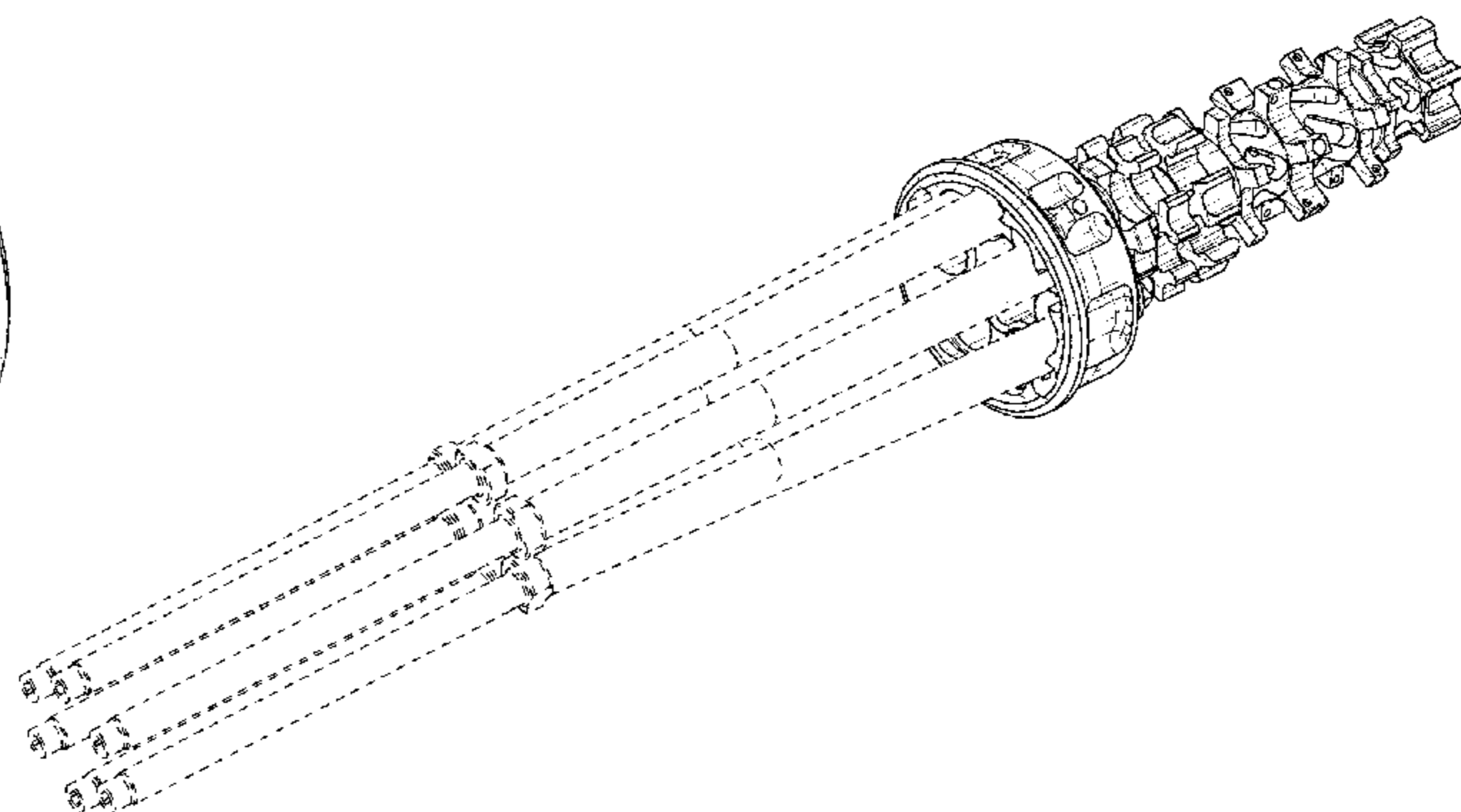
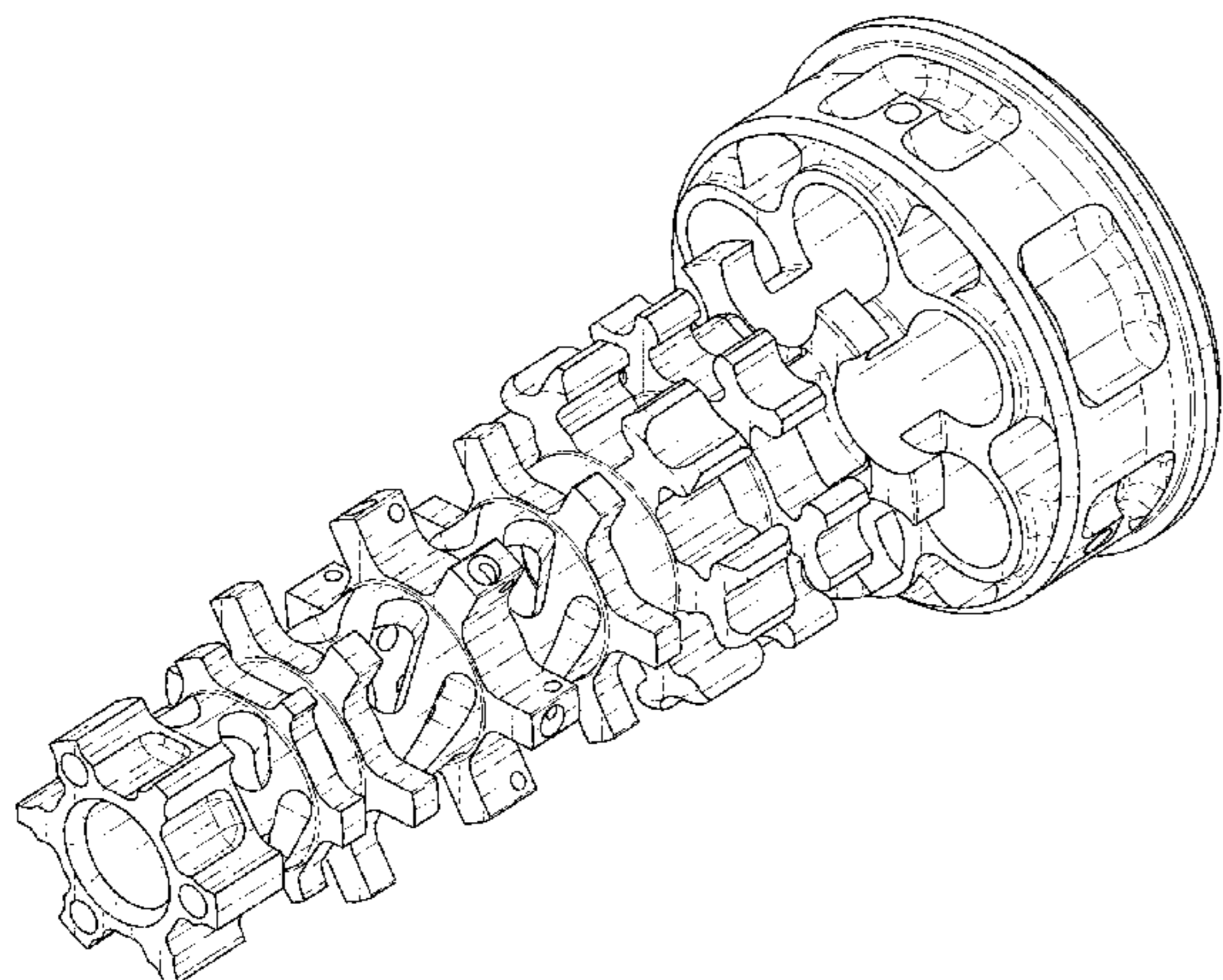
(57) **CLAIM**

The ornamental design for a firearm rotor, as shown and described.

**DESCRIPTION**

FIG. 1 is a perspective view of the firearm rotor.  
FIG. 2 is a front elevational view of the firearm rotor.  
FIG. 3 is a rear elevational view of the firearm rotor.  
FIG. 4 is a left side elevational view of the firearm rotor.  
FIG. 5 is a right side elevational view of the firearm rotor.  
FIG. 6 is a top plan view of the firearm rotor.  
FIG. 7 is a bottom plan view of the firearm rotor.  
FIG. 8 is a perspective view of the firearm rotor; and,  
FIG. 9 is a perspective view of the firearm rotor shown with respect to the gun barrels of a M134 minigun firearm.  
No claim is made to the portions of the drawings shown in dotted lines, which are shown for environmental purposes, such as the gun barrels shown in FIG. 9.

**1 Claim, 8 Drawing Sheets**



(56)

**References Cited**

U.S. PATENT DOCUMENTS

10,718,580 B2 \* 7/2020 Dewalch ..... F41A 9/31  
2019/0137204 A1 \* 5/2019 Abbott ..... F41A 9/36

\* cited by examiner

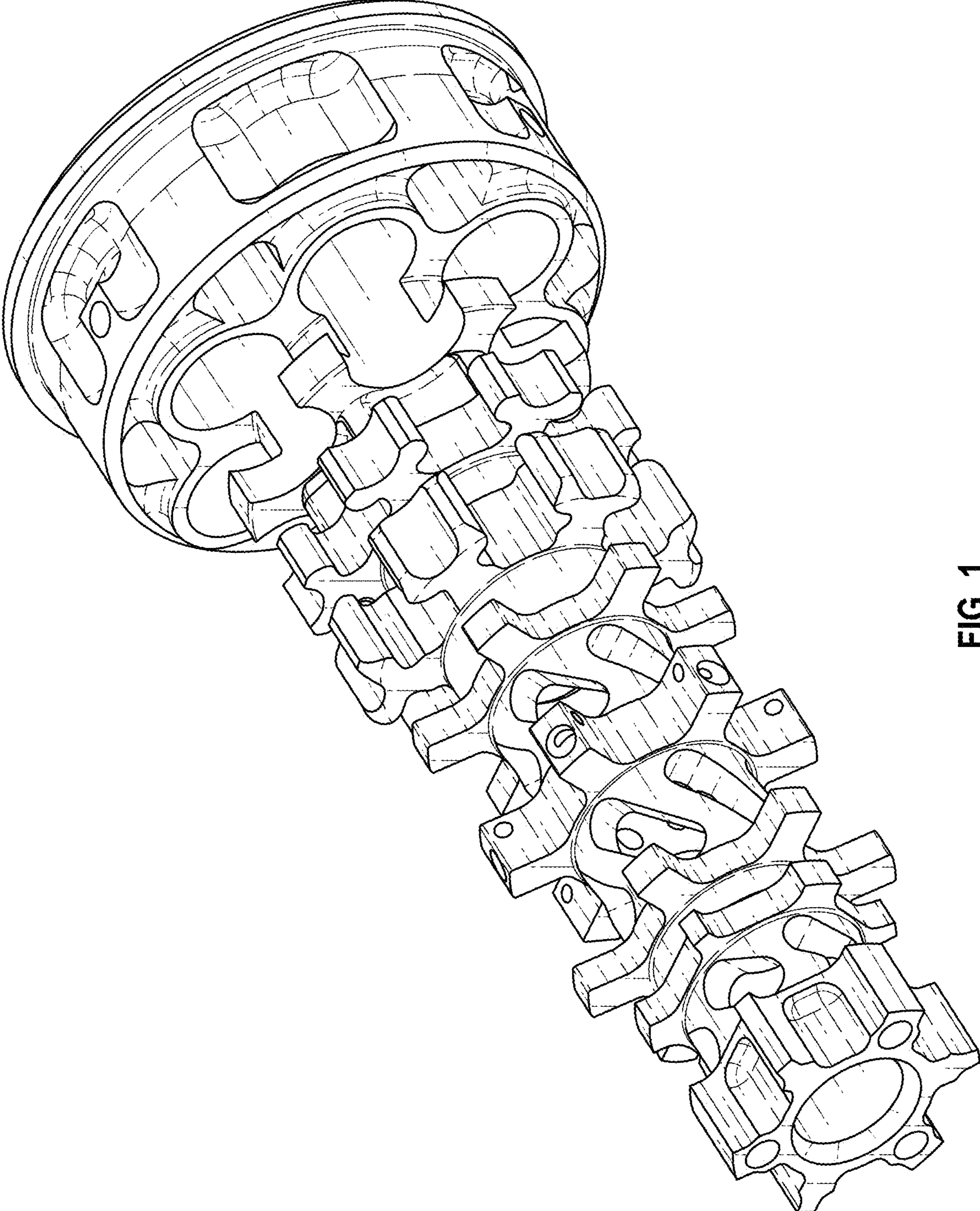


FIG. 1

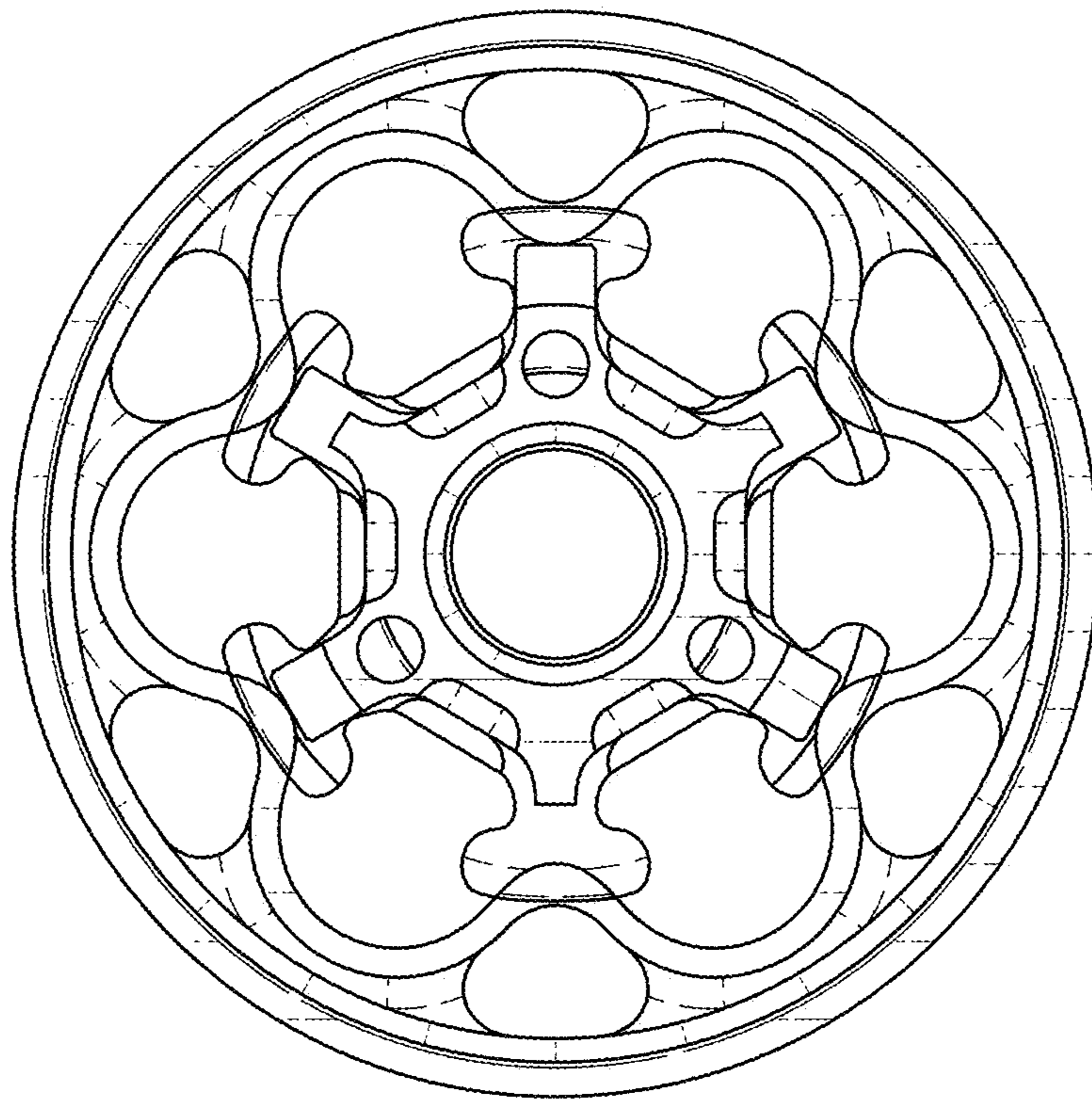


FIG. 2

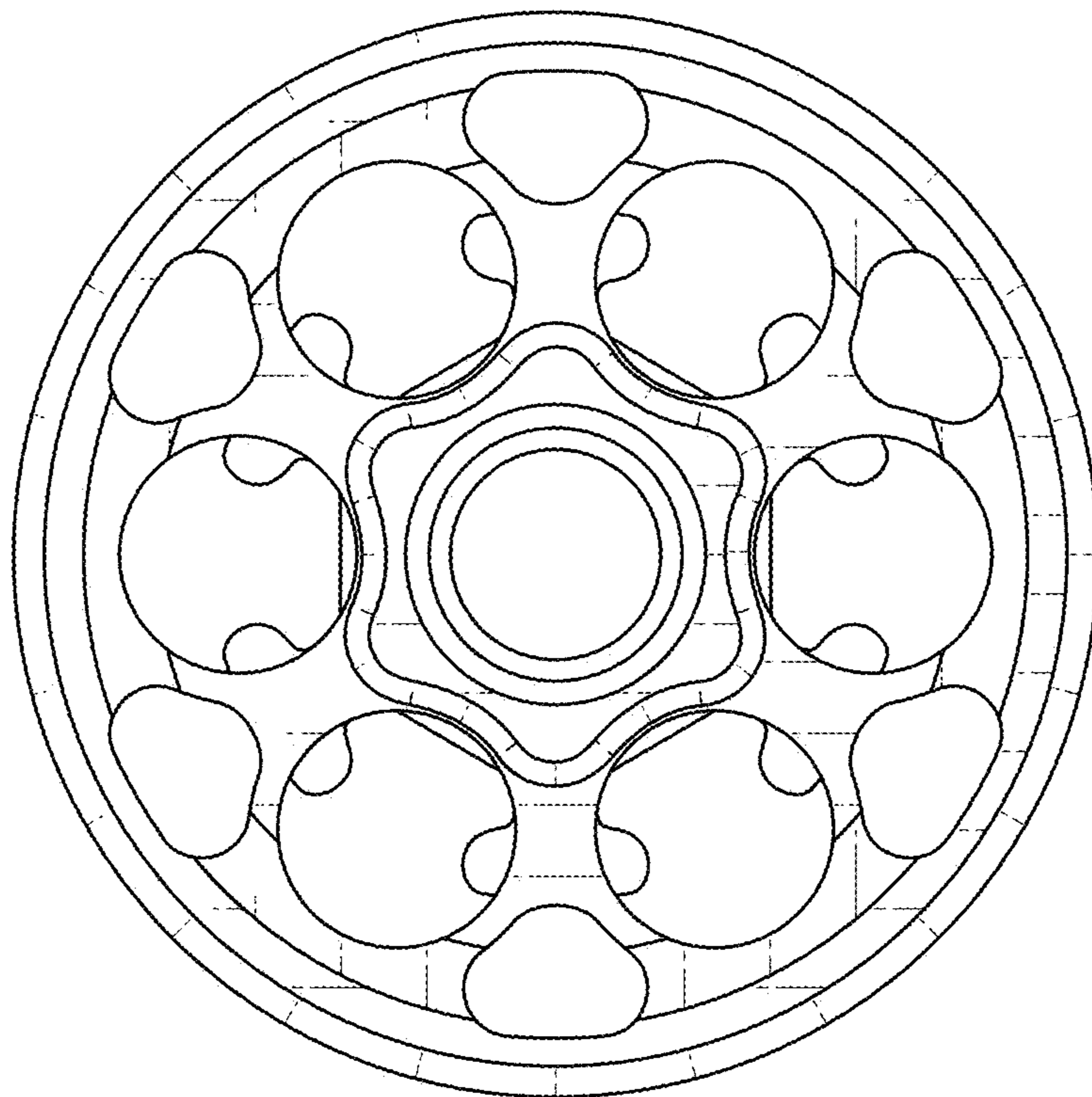


FIG. 3



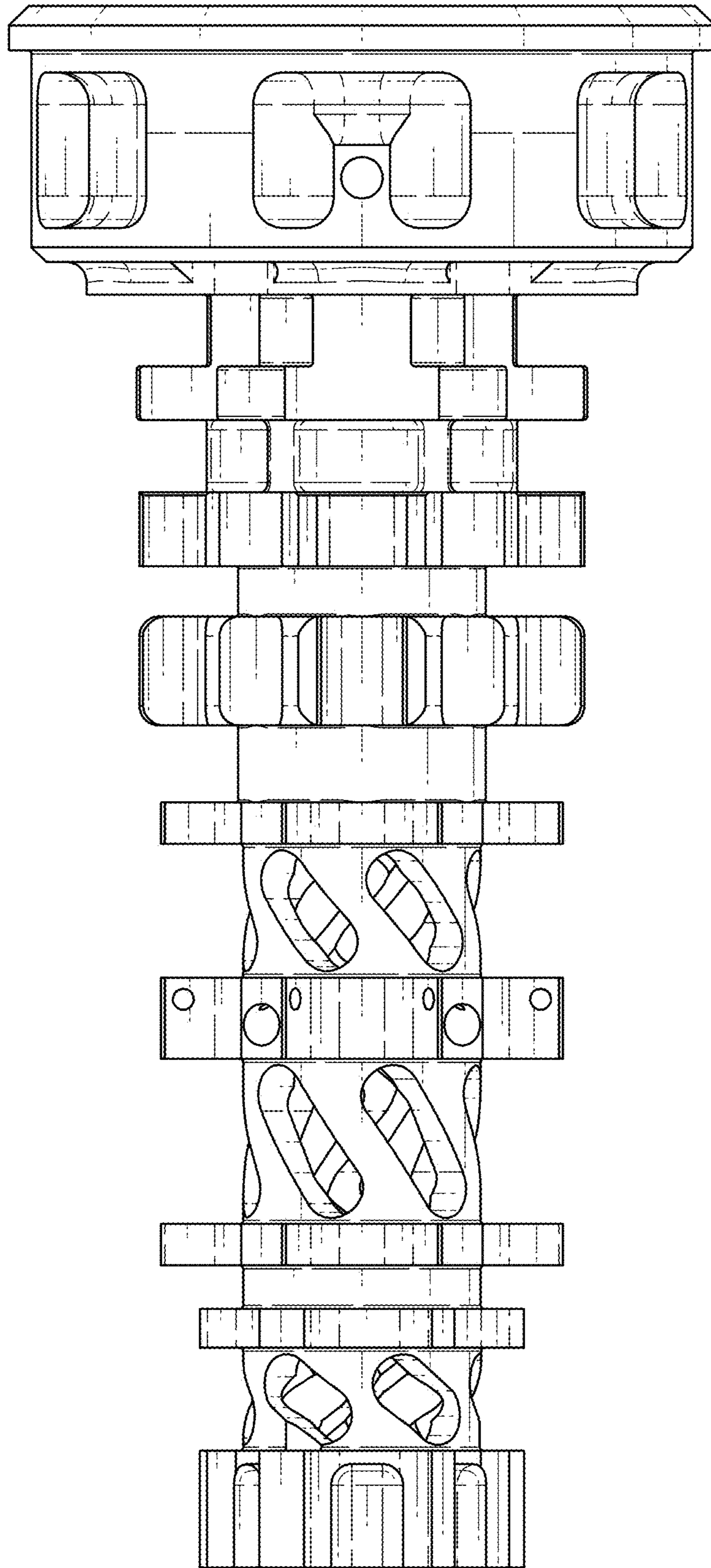


FIG. 5

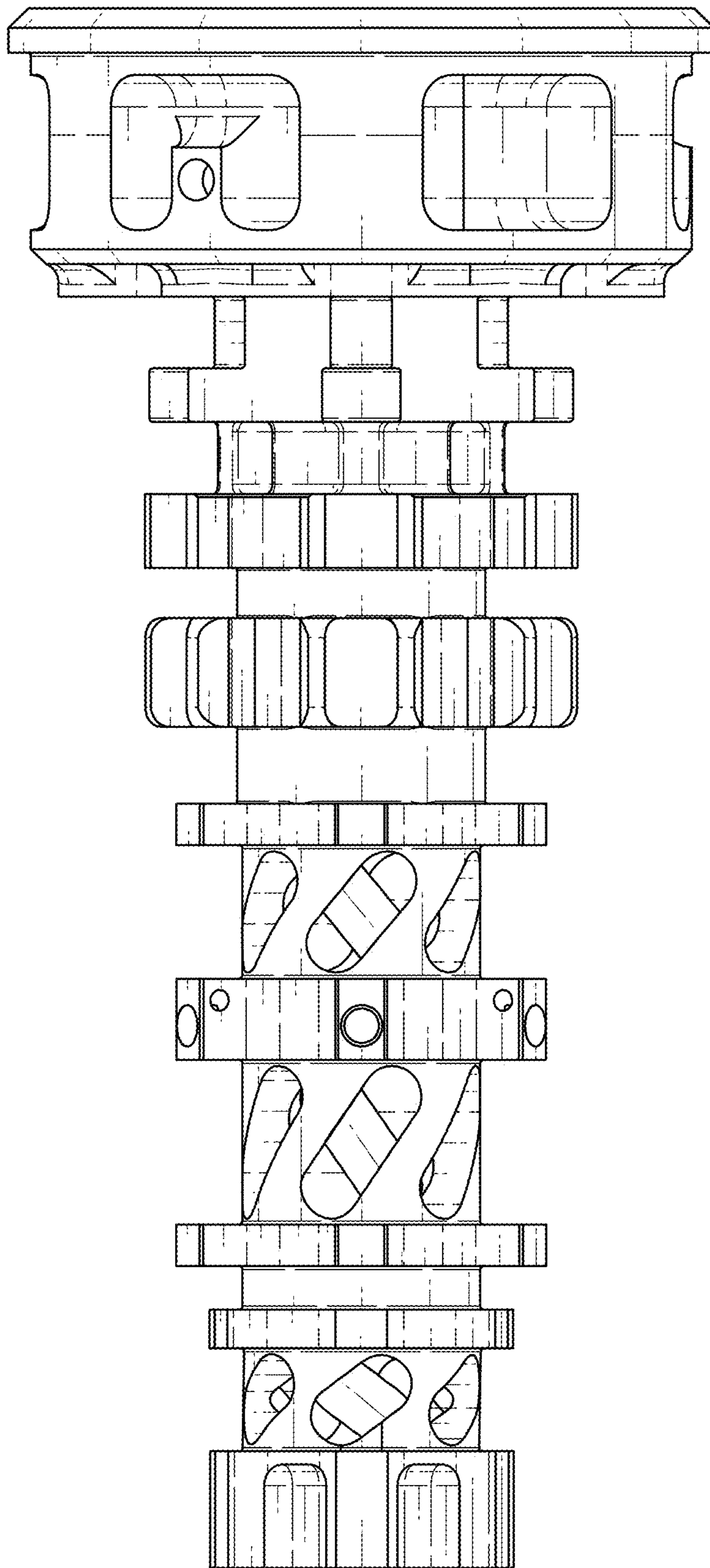


FIG. 6

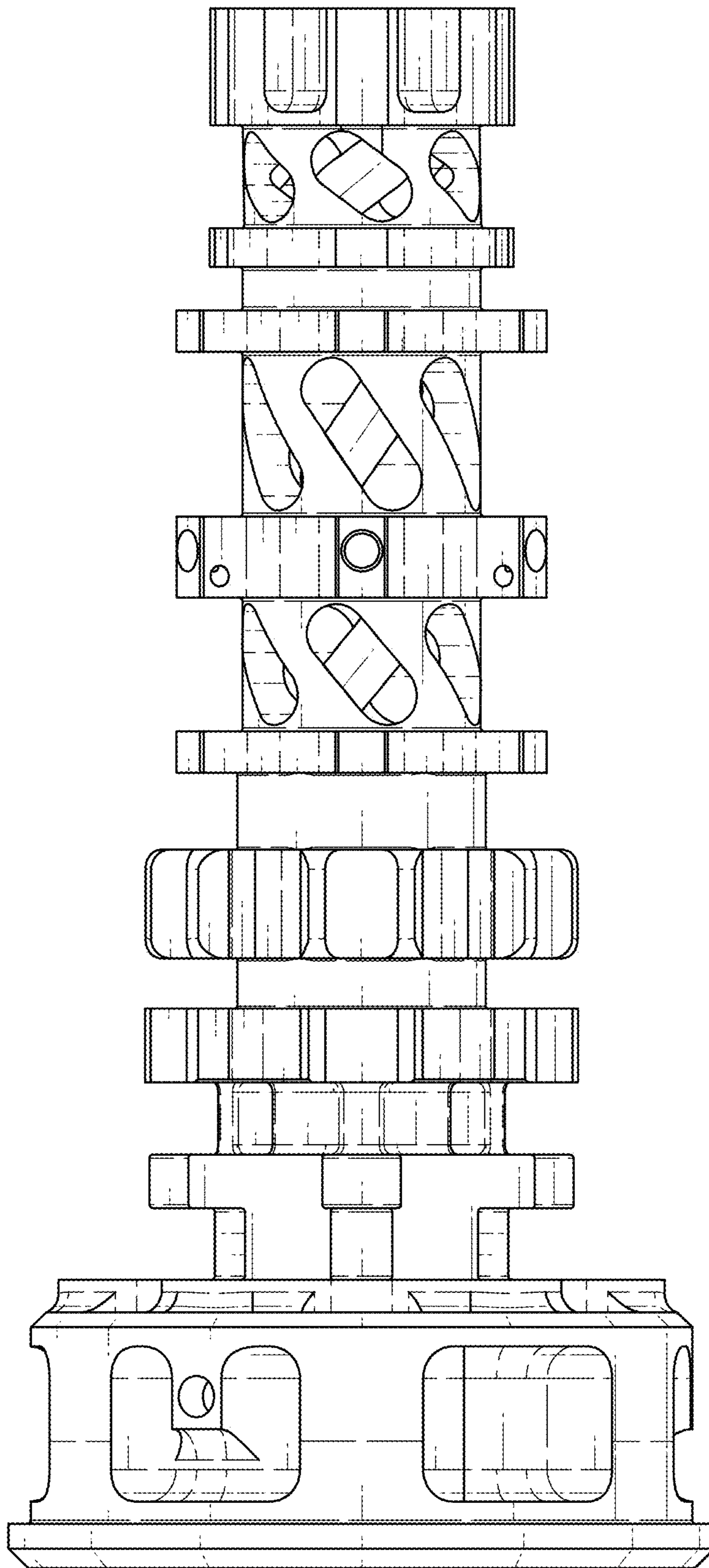


FIG. 7



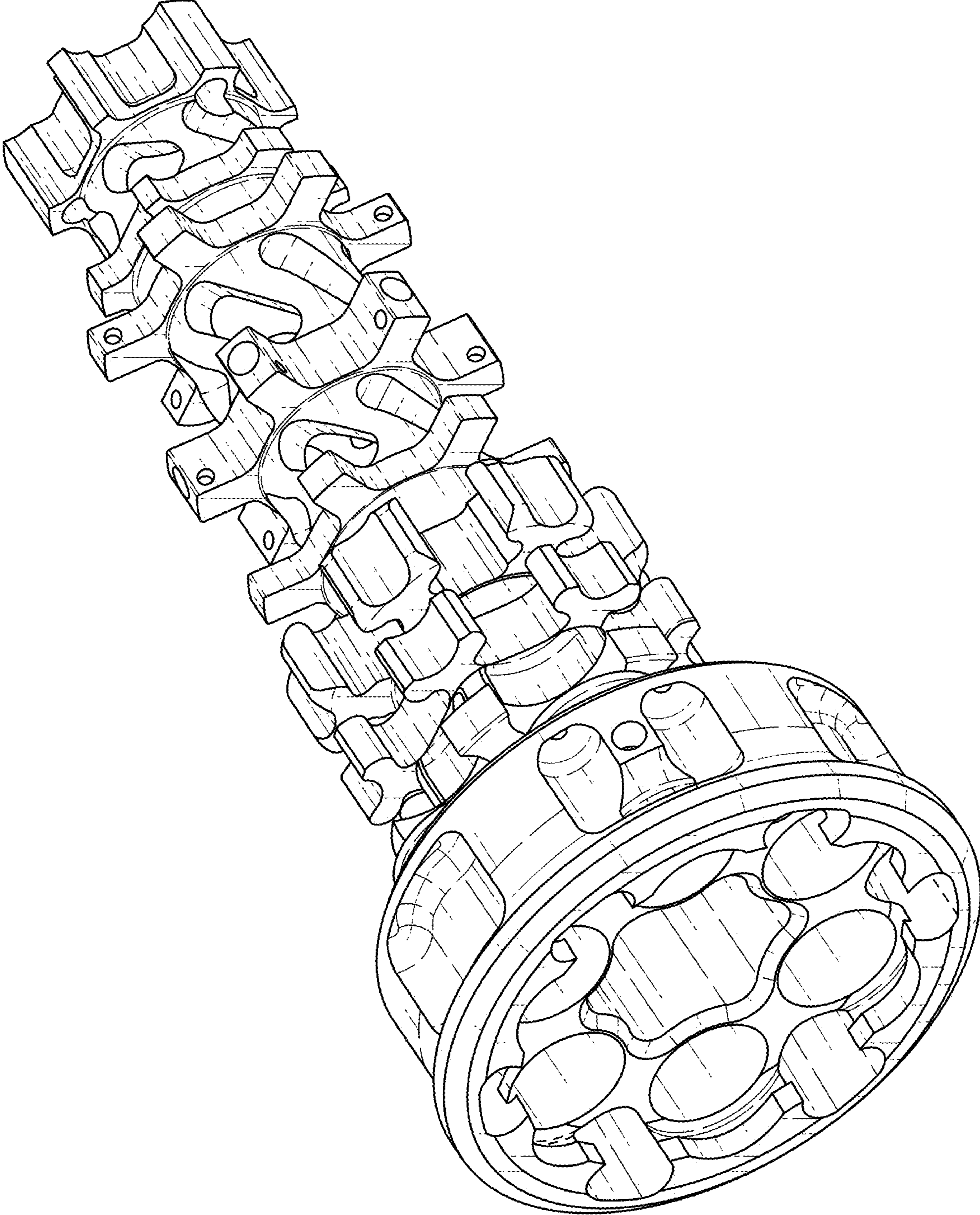


FIG. 8

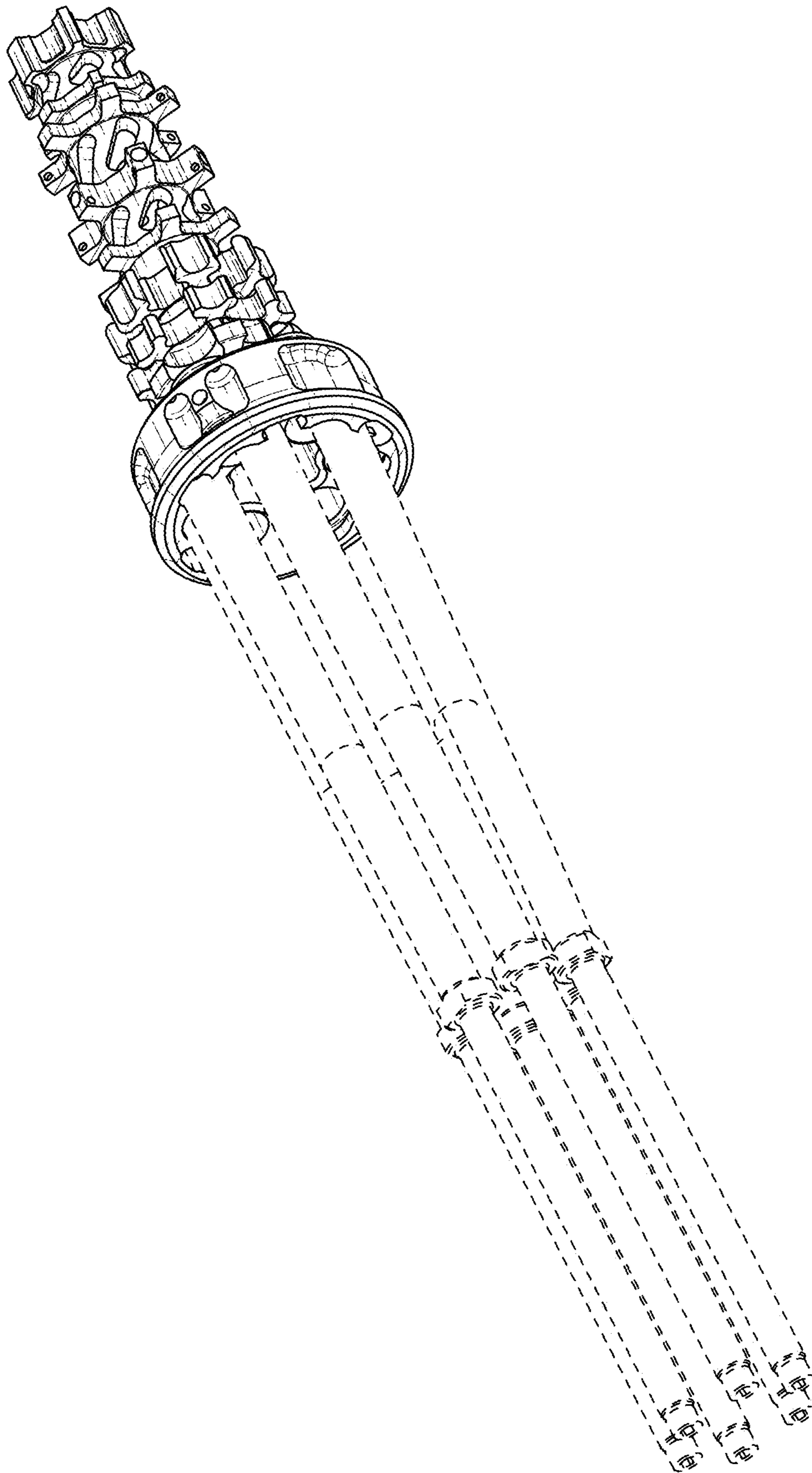


FIG. 9