



US00D952784S

(12) **United States Design Patent**  
**Xiang**

(10) **Patent No.:** **US D952,784 S**

(45) **Date of Patent:** **\*\* May 24, 2022**

(54) **CLIMBING FRAME**

(71) Applicant: **Liu Xiang**, Shanghai (CN)

(72) Inventor: **Liu Xiang**, Shanghai (CN)

(\*\*) Term: **15 Years**

(21) Appl. No.: **29/743,784**

(22) Filed: **Jul. 24, 2020**

(51) **LOC (13) Cl.** ..... **21-03**

(52) **U.S. Cl.**  
USPC ..... **D21/826**

(58) **Field of Classification Search**  
USPC ..... D21/811, 814, 826, 827  
CPC .... A63H 33/107; A63H 33/008; A63B 17/00;  
A63B 17/02; A63B 9/00; A63B 2009/006  
See application file for complete search history.

(56) **References Cited**

**U.S. PATENT DOCUMENTS**

- 1,765,361 A \* 6/1930 Berman ..... A63B 9/00  
482/36
- 1,779,903 A \* 10/1930 Daragon ..... A63B 9/00  
482/23
- D135,935 S \* 7/1943 Miller ..... D21/826
- D180,402 S \* 6/1957 Harris, Jr. .... D21/797
- 3,008,711 A \* 11/1961 Dillon ..... A63B 9/00  
482/36
- D196,594 S \* 10/1963 Fernan et al. .... D21/826
- D200,651 S \* 3/1965 Harris, Jr. .... D21/826
- 3,547,435 A \* 12/1970 Scott ..... A63B 9/00  
482/34
- D222,487 S \* 10/1971 Korte ..... D21/826
- D224,245 S \* 7/1972 Hock ..... D21/826
- 3,735,979 A \* 5/1973 Levenberg ..... A63B 9/00  
482/143
- D249,602 S \* 9/1978 O'Connor ..... D14/447
- D250,783 S \* 1/1979 Dieter ..... 472/116
- D259,805 S \* 7/1981 Persson ..... D21/826

- D277,222 S \* 1/1985 Mower ..... D21/822
- 4,630,819 A \* 12/1986 Levin ..... A63B 9/00  
182/118
- 6,099,411 A \* 8/2000 Van Wagenen ..... A63B 9/00  
472/136
- D468,387 S \* 1/2003 Ezell ..... D21/826
- D479,569 S \* 9/2003 Van Deusen ..... D21/827
- D786,999 S \* 5/2017 Ochi ..... D21/811
- D787,000 S \* 5/2017 Ochi ..... D21/811
- D787,001 S \* 5/2017 Ochi ..... D21/814
- D833,557 S \* 11/2018 Jeffrey ..... D21/814
- D861,110 S \* 9/2019 Keller ..... D21/826
- D902,339 S \* 11/2020 Jeffrey ..... D21/814
- 2018/0028852 A1 \* 2/2018 Beaver ..... A63B 21/078
- 2018/0154276 A1 \* 6/2018 Oh ..... A63H 33/107

**FOREIGN PATENT DOCUMENTS**

- CN 306360318 \* 3/2021
- CN 306672154 \* 7/2021
- CN 306697554 \* 8/2021
- CN 306753993 \* 8/2021
- EM 008003198-0001 \* 6/2020
- EM 008475586-0001 \* 3/2021

(Continued)

*Primary Examiner* — Mitchell I. Siegel

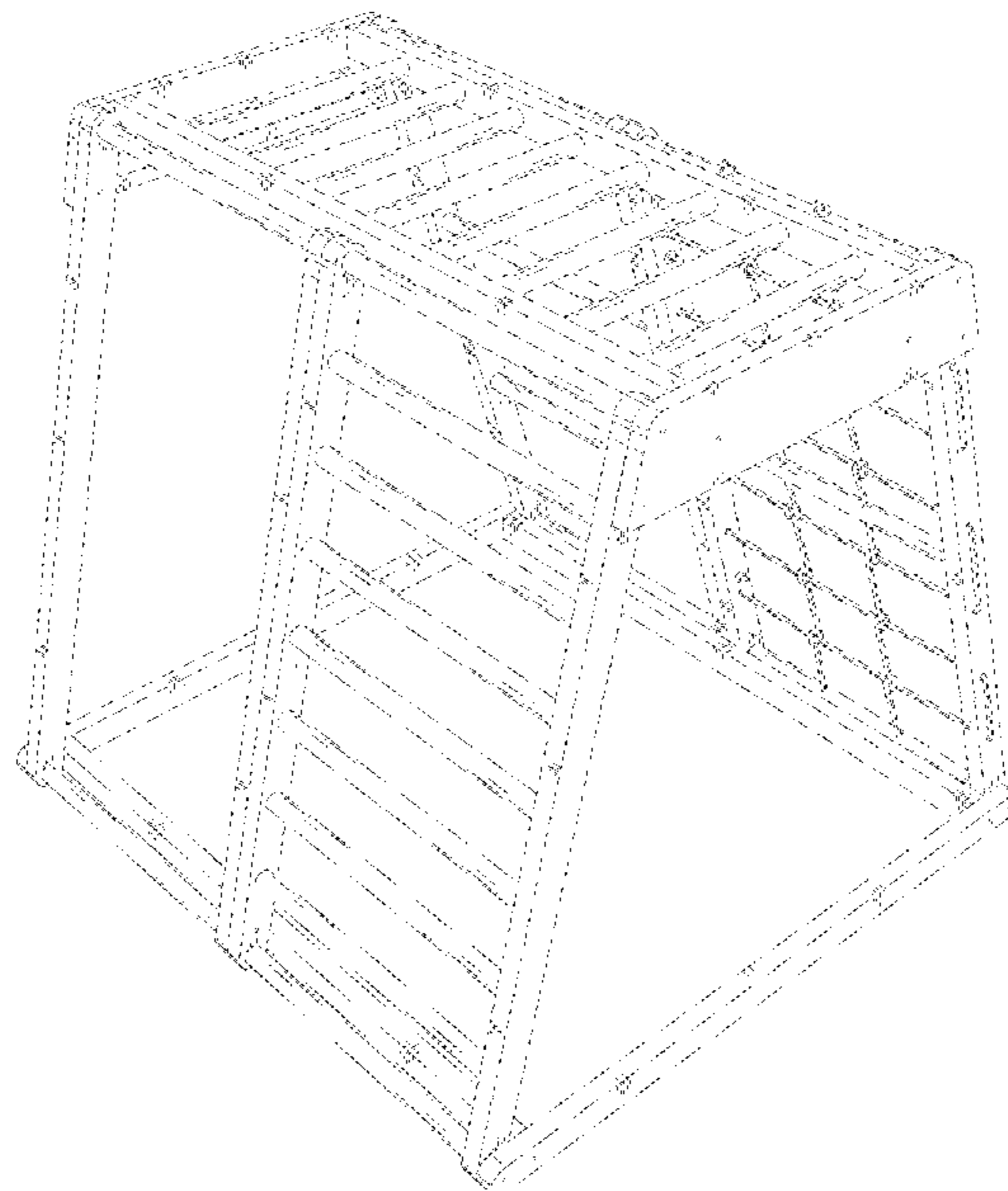
(57) **CLAIM**

The ornamental design for a climbing frame, as shown and described.

**DESCRIPTION**

FIG. 1 is a perspective view of the climbing frame;  
FIG. 2 is a front elevational view thereof;  
FIG. 3 is a rear elevational view thereof;  
FIG. 4 is a left side elevational view thereof;  
FIG. 5 is a right side elevational view thereof;  
FIG. 6 is a top plan view thereof; and,  
FIG. 7 is a bottom plan view thereof.

**1 Claim, 7 Drawing Sheets**



(56)

**References Cited**

FOREIGN PATENT DOCUMENTS

EM	008552236-0018	*	6/2021
EM	008552236-0019	*	6/2021
GB	9008003198-0001	*	6/2020
GB	6127517	*	3/2021

\* cited by examiner

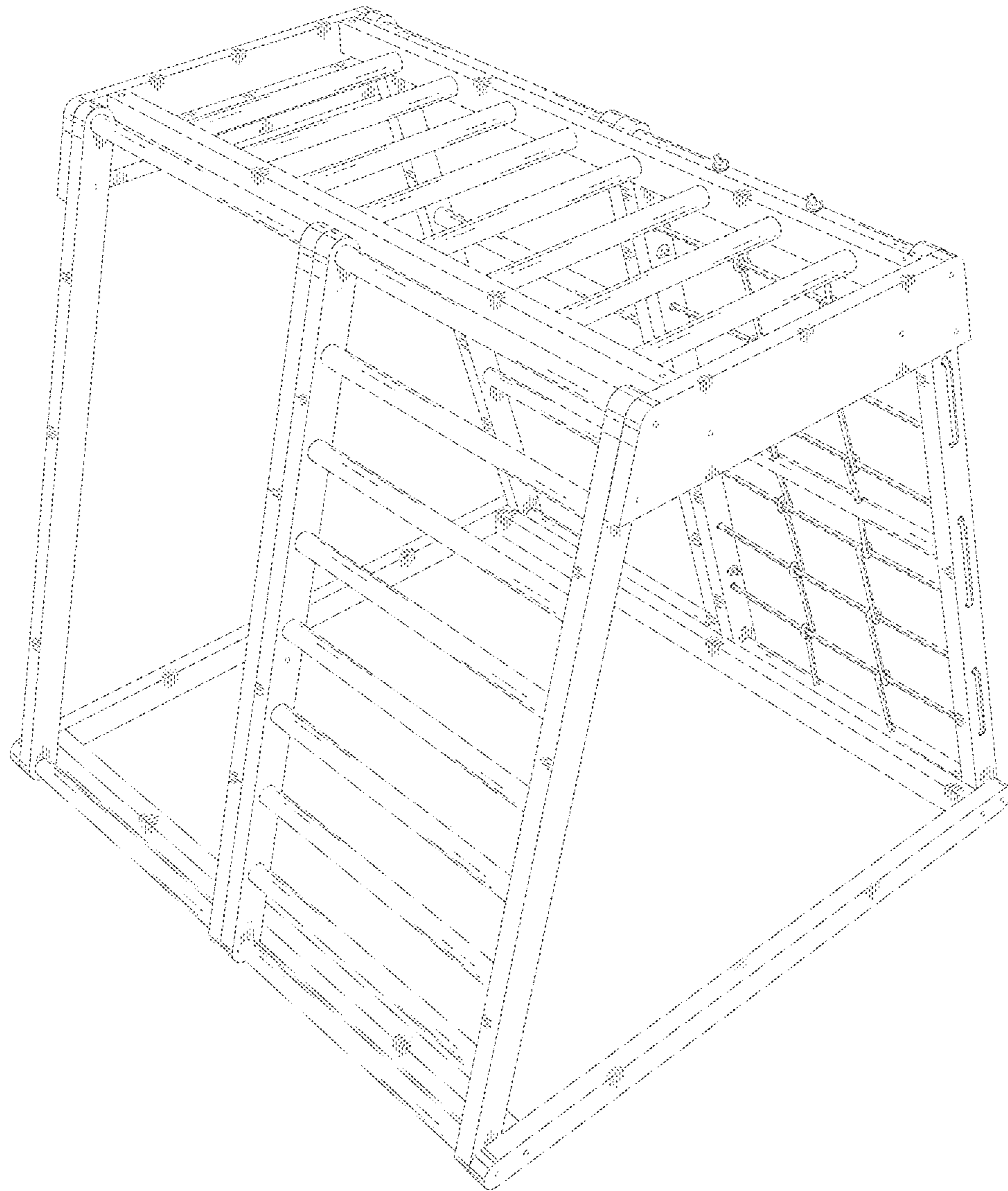


Figure 1

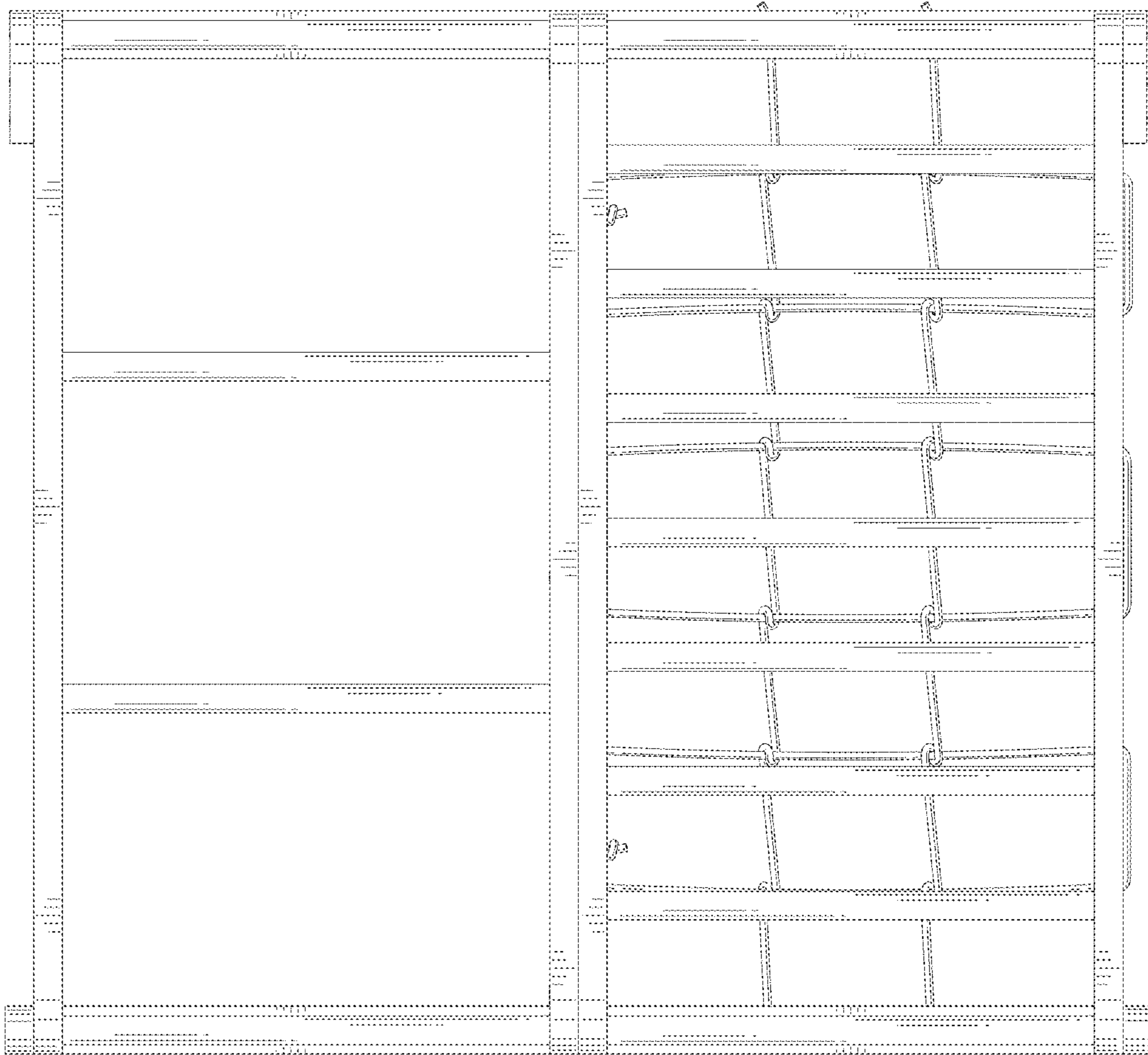


Figure 2

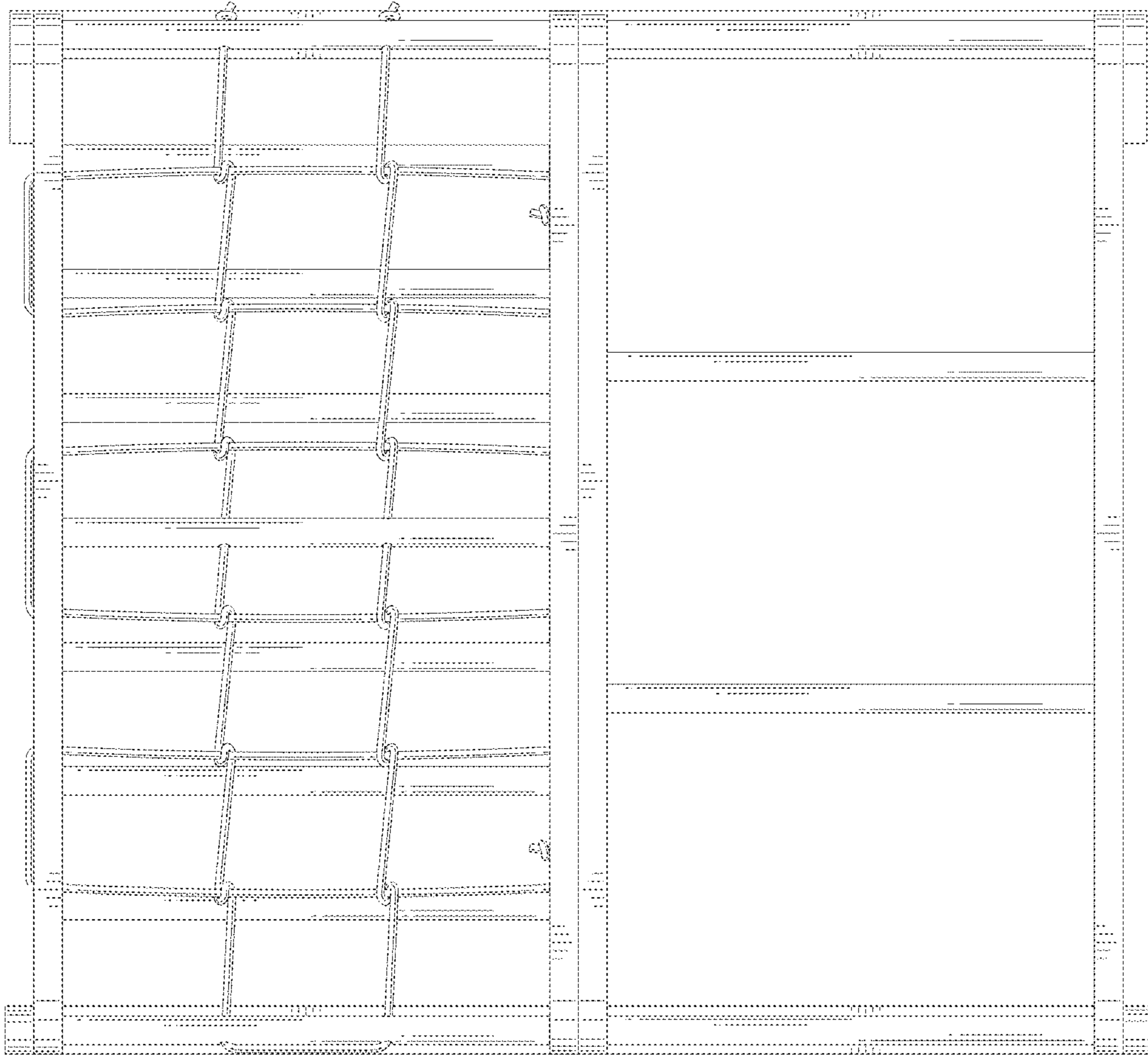


Figure 3

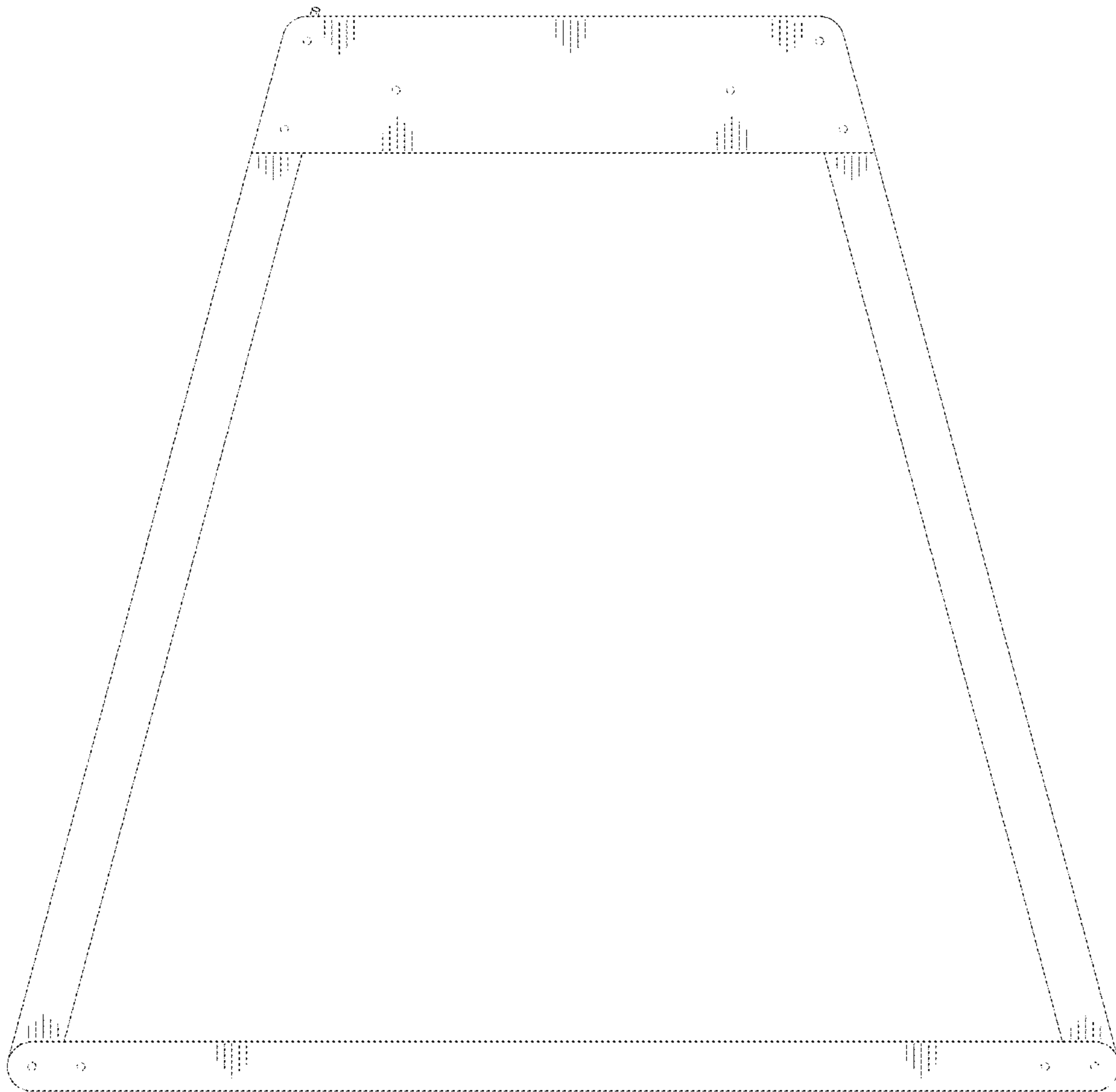


Figure 4

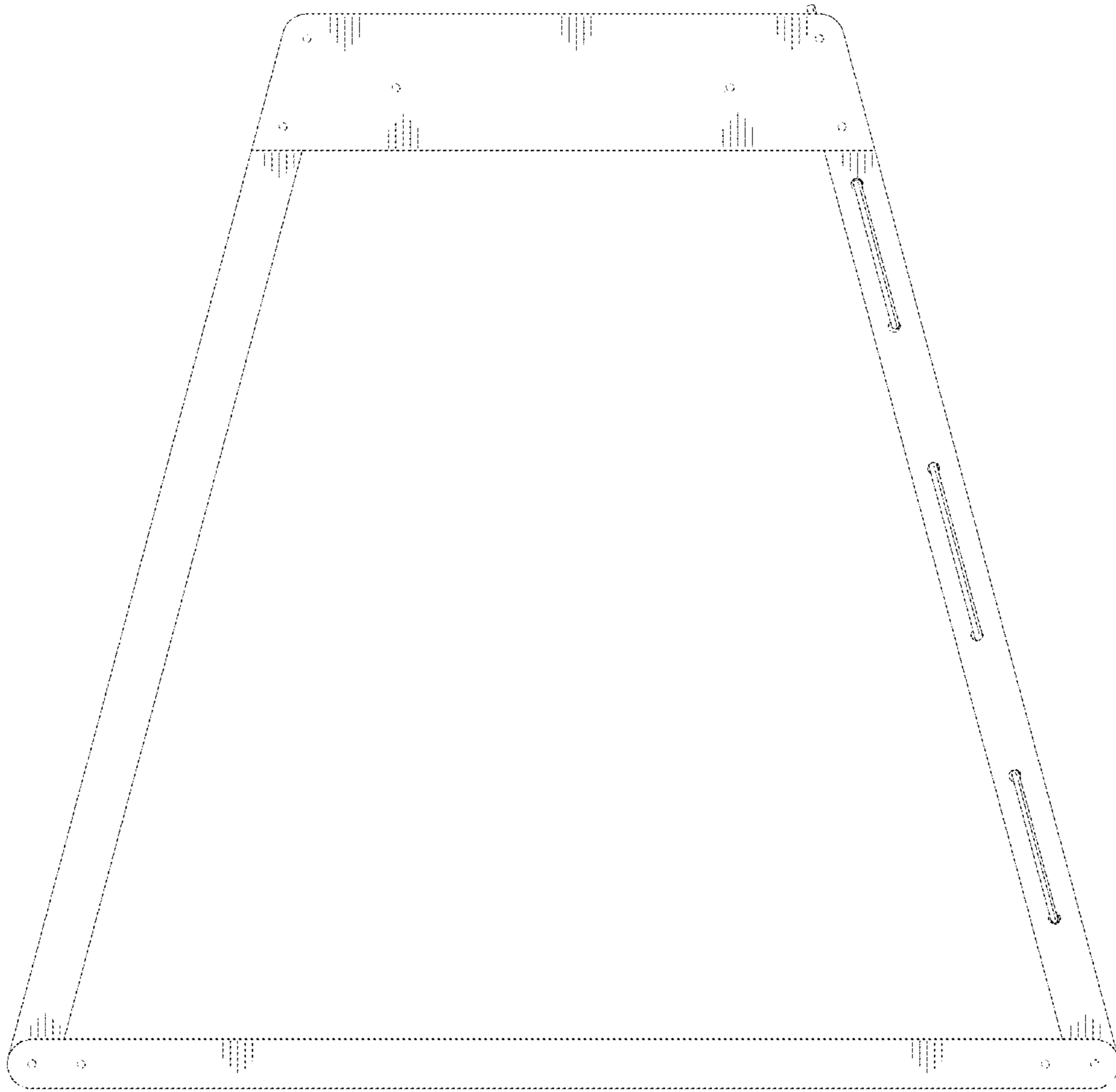


Figure 5

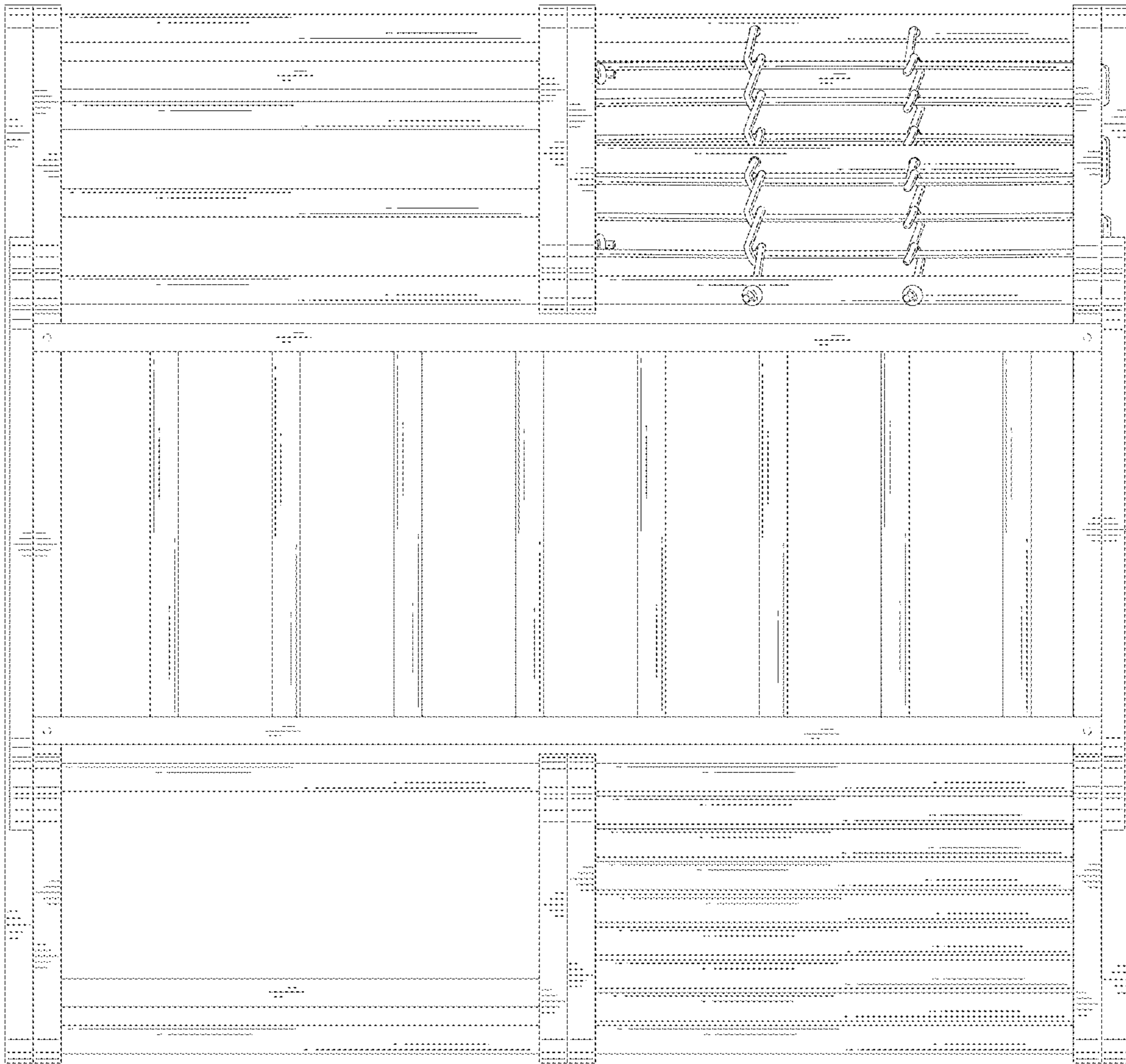


Figure 6



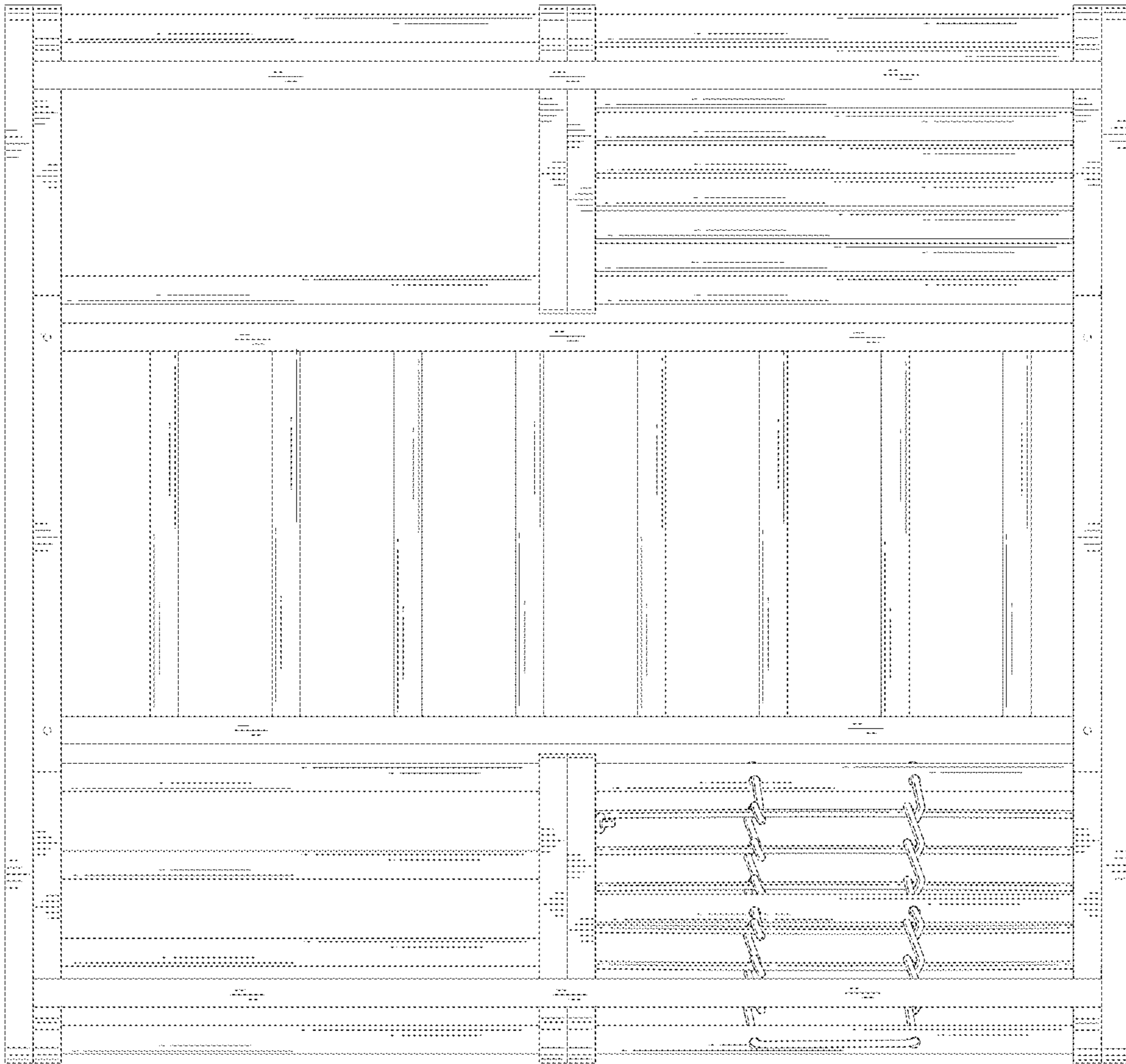


Figure 7