



US00D952777S

(12) **United States Design Patent**
Horita et al.

(10) **Patent No.:** **US D952,777 S**
(45) **Date of Patent:** **** May 24, 2022**

(54) **ABDOMINAL EXERCISE MACHINE**

D358,183 S 5/1995 Habing et al.
5,417,633 A 5/1995 Habing
D359,325 S * 6/1995 Gerschefske D21/676
(Continued)

(71) Applicant: **PELTON INTERACTIVE, INC.**,
New York, NY (US)

(72) Inventors: **Sean K. Horita**, Woodinville, WA
(US); **Elijah E. Hooper**, Seattle, WA
(US)

(73) Assignee: **Peloton Interactive, Inc.**, New York,
NY (US)

(**) Term: **15 Years**

(21) Appl. No.: **29/720,932**

(22) Filed: **Jan. 16, 2020**

(51) **LOC (13) Cl.** **21-02**

(52) **U.S. Cl.**
USPC **D21/690**

(58) **Field of Classification Search**
USPC D21/690, 691, 694, 686, 662, 665, 676,
D21/679, 687, 692

See application file for complete search history.

(56) **References Cited**

U.S. PATENT DOCUMENTS

4,790,530 A	12/1988	Maag	
4,822,038 A	4/1989	Maag	
4,838,548 A	6/1989	Maag	
4,840,373 A	6/1989	Maag	
D321,391 S	11/1991	Jones	
5,066,003 A	11/1991	Jones	
5,085,430 A	2/1992	Habing	
D324,710 S	3/1992	Habing	
5,102,122 A	4/1992	Piane, Jr. et al.	
5,190,513 A	3/1993	Habing et al.	
5,199,935 A	4/1993	Gibson et al.	
5,308,304 A	5/1994	Habing	
5,354,252 A	10/1994	Habing	
5,362,296 A	11/1994	Wang et al.	
5,366,432 A	11/1994	Habing et al.	
D357,041 S *	4/1995	McBride D21/676

OTHER PUBLICATIONS

True Fitness, announced 2016 [online], [site visited Jul. 21, 2021]
Available on internet, URL: https://www.youtube.com/watch?v=Q_b8Bz1Yhs (Year: 2016).

(Continued)

Primary Examiner — Khawaja Anwar

Assistant Examiner — Julice Seung Eun Oum

(74) *Attorney, Agent, or Firm* — Haynes and Boone, LLP

(57) **CLAIM**

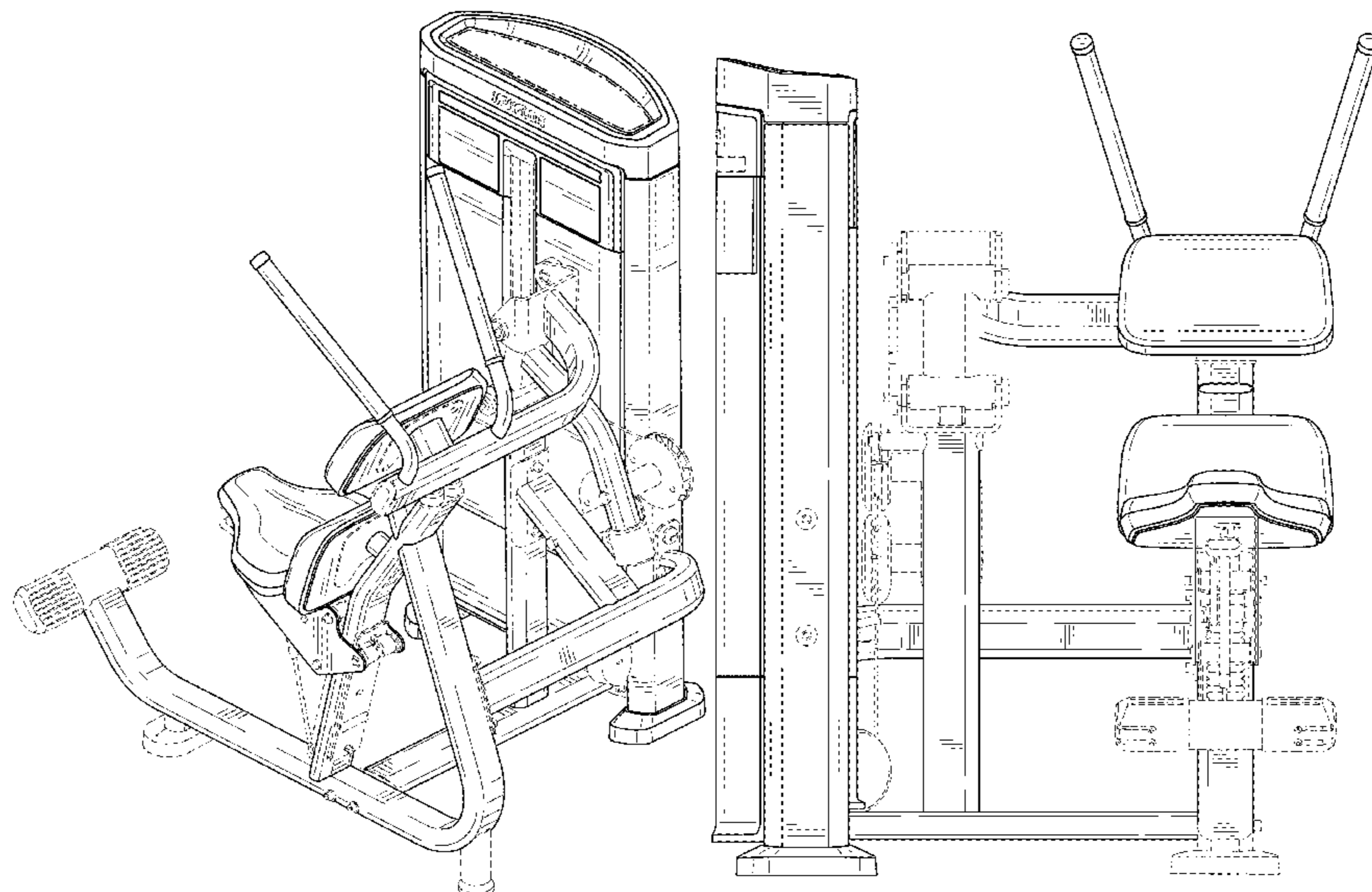
We claim the ornamental design for an abdominal exercise machine, as shown and described.

DESCRIPTION

FIG. 1 is a front, side perspective view of an abdominal exercise machine of a fitness equipment unit;
FIG. 2 is a front view of the abdominal exercise machine of FIG. 1;
FIG. 3 is a rear view of the abdominal exercise machine of FIG. 1;
FIG. 4 is a first side view of the abdominal exercise machine of FIG. 1;
FIG. 5 a second side view of the abdominal exercise machine of FIG. 1;
FIG. 6 is a top view of the abdominal exercise machine of FIG. 1; and,
FIG. 7 is a bottom view of the abdominal exercise machine of FIG. 1.

The broken lines and the dot dash lines shown throughout the figure views form no part of the claimed design.

1 Claim, 7 Drawing Sheets



(56)

References Cited

U.S. PATENT DOCUMENTS

5,468,202 A 11/1995 Habing
 5,492,520 A 2/1996 Brown
 D370,040 S 5/1996 Habing et al.
 5,527,248 A 6/1996 Crivello
 5,554,086 A 11/1996 Habing et al.
 5,577,987 A 11/1996 Brown
 5,580,337 A 12/1996 Habing et al.
 5,580,341 A * 12/1996 Simonson A63B 23/1254
 482/100
 5,597,257 A 1/1997 Habing
 5,749,813 A * 5/1998 Domzalski A63B 23/00
 482/137
 5,803,882 A 9/1998 Habing et al.
 D406,290 S 3/1999 McBride
 5,885,193 A 3/1999 Habing et al.
 D408,875 S 4/1999 Anderson
 5,897,467 A 4/1999 Habing et al.
 5,897,473 A 4/1999 Koenig
 5,931,767 A 8/1999 Morales
 5,967,954 A 10/1999 Habing
 5,971,895 A 10/1999 Habing
 6,080,091 A 6/2000 Habing et al.
 D428,949 S 8/2000 Simonson
 D431,615 S 10/2000 Webber et al.
 6,152,864 A * 11/2000 Giannelli A63B 23/03533
 482/100
 D439,939 S 4/2001 Batca et al.
 D439,940 S * 4/2001 Batea D21/675
 D440,610 S 4/2001 Webber et al.
 D440,611 S 4/2001 Batca et al.
 6,220,996 B1 4/2001 McArthur
 6,319,178 B1 11/2001 Webber
 6,488,612 B2 12/2002 Sechrest et al.
 6,558,303 B1 * 5/2003 Ellis A63B 23/0494
 482/100
 6,579,213 B1 6/2003 Webber et al.
 D477,372 S 7/2003 Garner
 D481,428 S 10/2003 Giannelli et al.
 D490,128 S 5/2004 Giannelli et al.
 6,736,765 B2 5/2004 Wallace et al.
 D490,865 S 6/2004 Giannelli
 D491,238 S * 6/2004 Giannelli D21/675
 6,921,356 B1 7/2005 Habing et al.
 D511,190 S * 11/2005 Panatta D21/675
 D512,113 S 11/2005 Carter
 D513,287 S * 12/2005 Panatta D21/676
 D513,288 S * 12/2005 Panatta D21/676
 D513,291 S 12/2005 Panatta
 D513,293 S * 12/2005 Panatta D21/676
 D516,138 S * 2/2006 Panatta D21/676
 D516,140 S * 2/2006 Panatta D21/676
 D516,142 S 2/2006 Panetta
 D516,143 S * 2/2006 Panatta D21/676
 D516,144 S * 2/2006 Panatta D21/676
 7,011,609 B1 3/2006 Kuo
 D523,496 S 6/2006 Grider
 7,090,623 B2 8/2006 Stewart et al.
 7,223,213 B2 5/2007 Golesh
 7,591,770 B2 9/2009 Stewart et al.
 7,608,024 B2 10/2009 Sechrest et al.
 7,654,940 B2 2/2010 Webber et al.
 7,708,672 B2 5/2010 Gibson et al.
 7,771,323 B1 8/2010 Batca
 7,794,371 B2 9/2010 Webber et al.
 7,815,554 B2 10/2010 Gibson et al.
 7,871,357 B2 1/2011 Gibson et al.
 7,981,010 B1 7/2011 Webber et al.
 D643,483 S 8/2011 Horita et al.
 8,057,368 B1 11/2011 Lyszczarz

8,177,693 B2 5/2012 Webber et al.
 8,262,543 B1 9/2012 Batca
 8,529,413 B2 9/2013 Simmons
 8,672,814 B2 3/2014 Hopkins
 RE44,992 E 7/2014 Fenster
 D728,709 S * 5/2015 Ho D21/687
 D743,494 S * 11/2015 Ho D21/687
 9,186,537 B2 11/2015 Arnold et al.
 9,320,937 B2 4/2016 Thompson
 9,604,090 B1 3/2017 Meyer et al.
 10,188,890 B2 1/2019 Olson et al.
 10,226,665 B2 3/2019 Kordecki
 10,343,008 B2 7/2019 Pullins et al.
 10,420,977 B1 9/2019 Sullivan
 D905,179 S 12/2020 Kennington
 D912,168 S 3/2021 Orady et al.
 2004/0029688 A1 2/2004 Webber et al.
 2006/0035764 A1 2/2006 Webber
 2006/0264304 A1 11/2006 Habing
 2007/0213184 A1 9/2007 Habing et al.
 2009/0258761 A1 10/2009 Quinn
 2010/0125030 A1 5/2010 Shifferaw
 2010/0132213 A1 6/2010 Ulrich et al.
 2012/0208679 A1 8/2012 Webb
 2012/0322629 A1 12/2012 Webb
 2013/0079708 A1 3/2013 Wimpenny et al.
 2013/0111739 A1 5/2013 Wu et al.
 2014/0336018 A1 * 11/2014 Thompson A63B 21/0052
 482/102
 2015/0306442 A1 10/2015 Höglund
 2016/0082315 A1 3/2016 Carter et al.
 2016/0134144 A1 5/2016 Miller et al.
 2016/0329672 A1 11/2016 Mcginley et al.
 2017/0232292 A1 8/2017 Giannelli et al.
 2017/0340916 A1 11/2017 Gennusa
 2018/0034224 A1 2/2018 Chung et al.
 2018/0326242 A1 11/2018 Jaquish et al.
 2019/0097365 A1 3/2019 Lee et al.
 2019/0160324 A1 * 5/2019 Leopoldo Da Camara Filho
 A63B 21/152
 2019/0305479 A1 10/2019 Lan
 2019/0308069 A1 10/2019 Sandhu
 2020/0140182 A1 5/2020 Adjeleian
 2020/0188725 A1 6/2020 Carter et al.
 2021/0031091 A1 2/2021 Glidden
 2021/0104719 A1 4/2021 Oikawa
 2021/0128963 A1 5/2021 Anderson
 2021/0178212 A1 6/2021 Polinsky

OTHER PUBLICATIONS

Lifefitness Pro2, announced 2011 [online], [site visited Jul. 21, 2021] Available on internet, URL: <https://www.youtube.com/watch?v=30N6fKpuTNo> (Year: 2011).
 Precor C-Line, announced 2015 [online], [site visited Jul. 21, 2021] Available on internet, URL: https://www.youtube.com/watch?v=3LeWUejZ_Tk (Year: 2015).
 Goodlife, announced 2016 [online], [site visited Jul. 21, 2021] Available on internet, URL: <https://www.youtube.com/watch?v=8EMbB0tCn7Q> (Year: 2016).
 Lifestrong, announced 2009 [online], [site visited Jul. 21, 2021] Available on internet, URL: https://www.youtube.com/watch?v=n8TOta_pfr4 (Year: 2009).
 TDS Extension, announced 2019 [online], [site visited Jul. 21, 2021] Available on internet, URL: https://www.amazon.com/TDS-Extension-Paddings-Extensions-Exercises/dp/B07JHV8CXF/ref=sr_1_122?dchild=1&keywords=leg+curl+exercise+machine&gid=1626900432&sr=8-122 (Year: 2019).

* cited by examiner

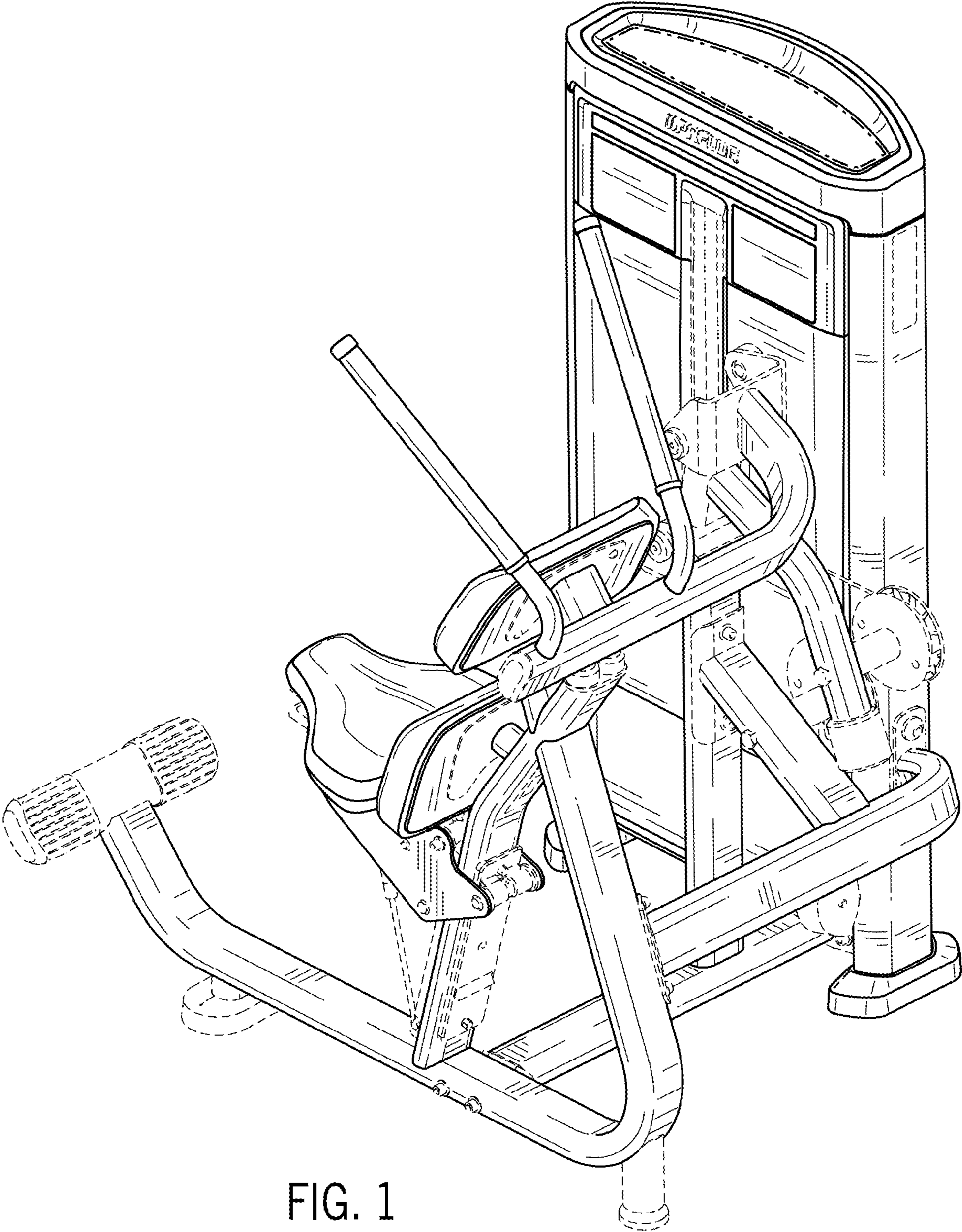


FIG. 1

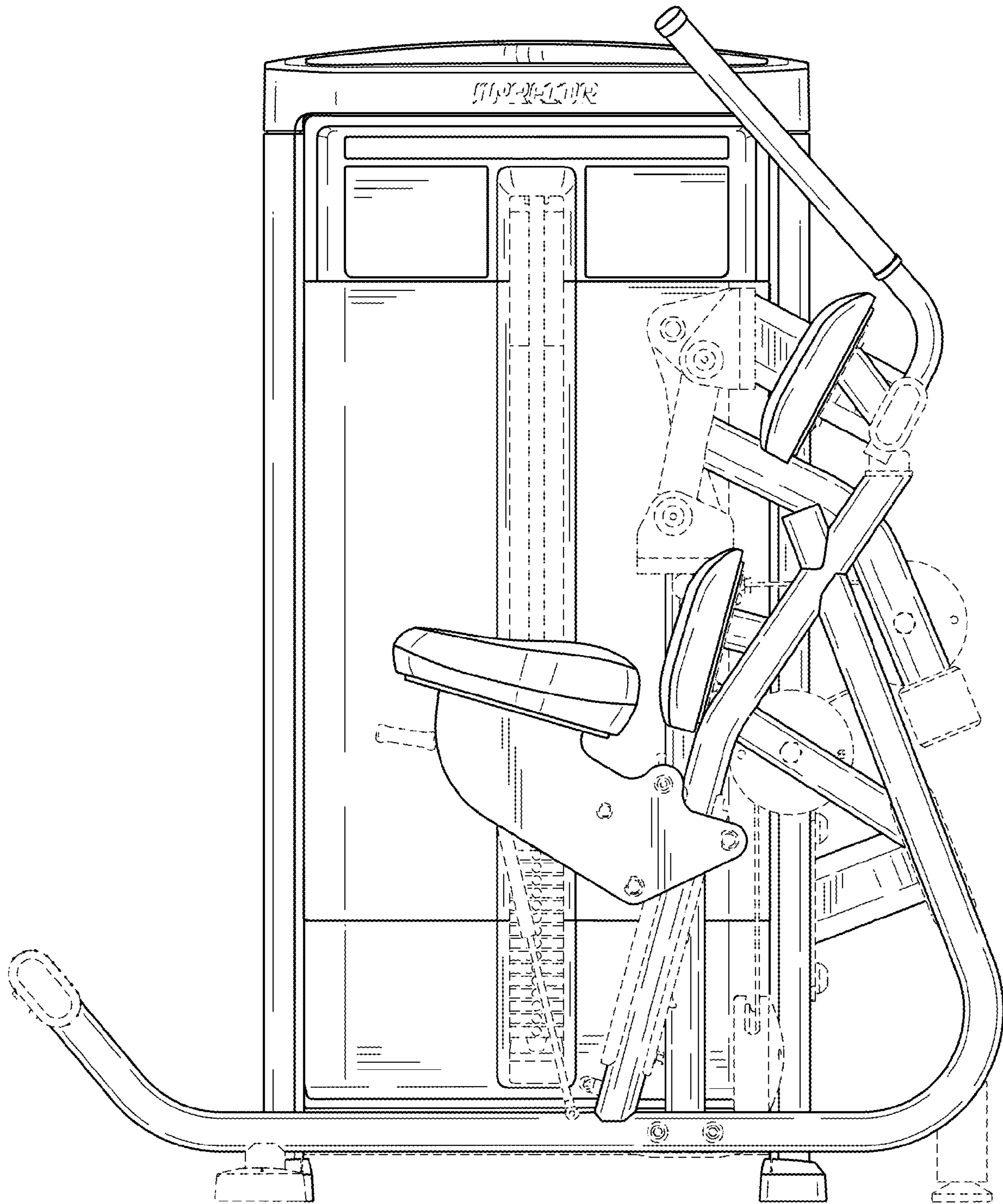


FIG. 2

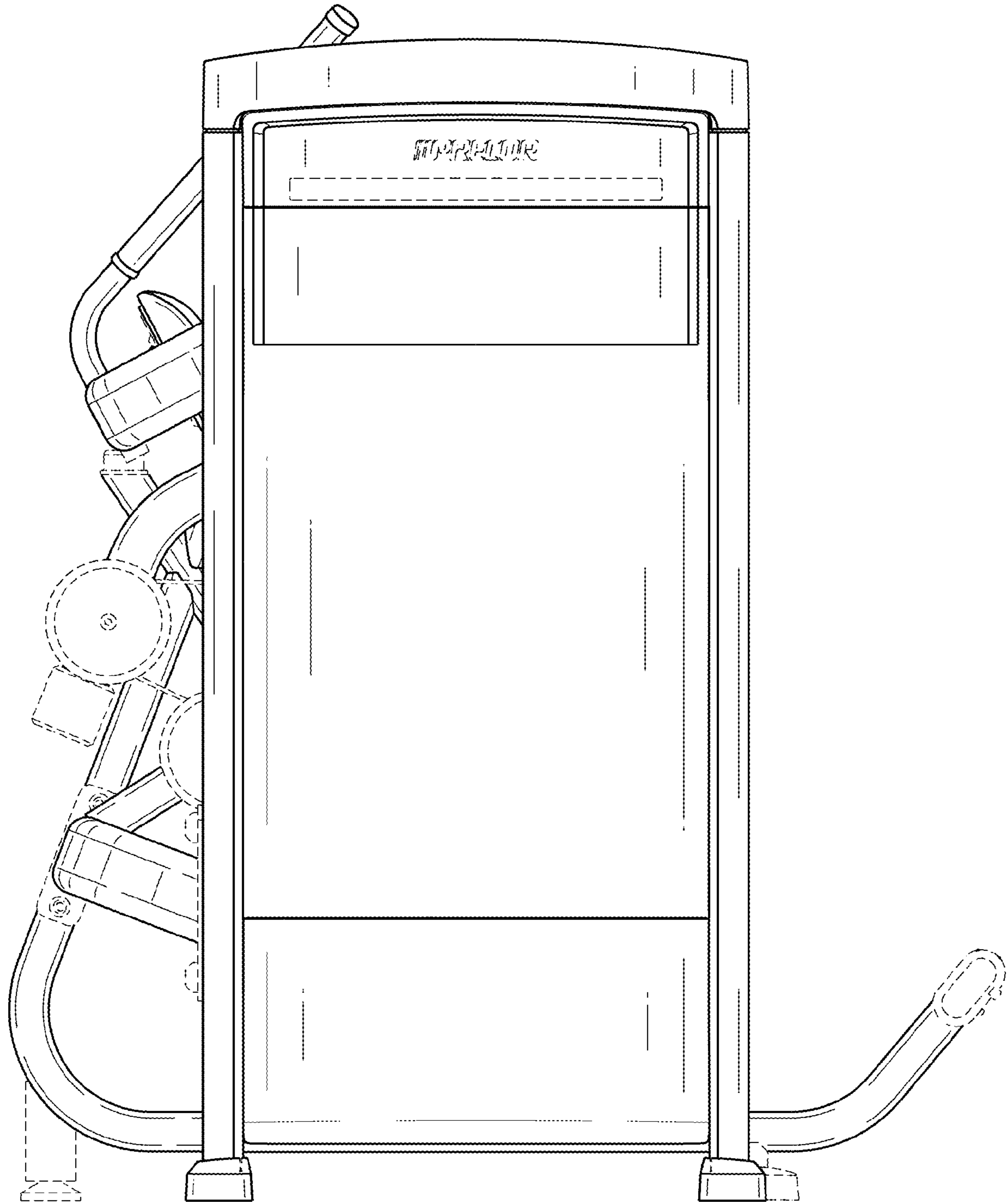


FIG. 3

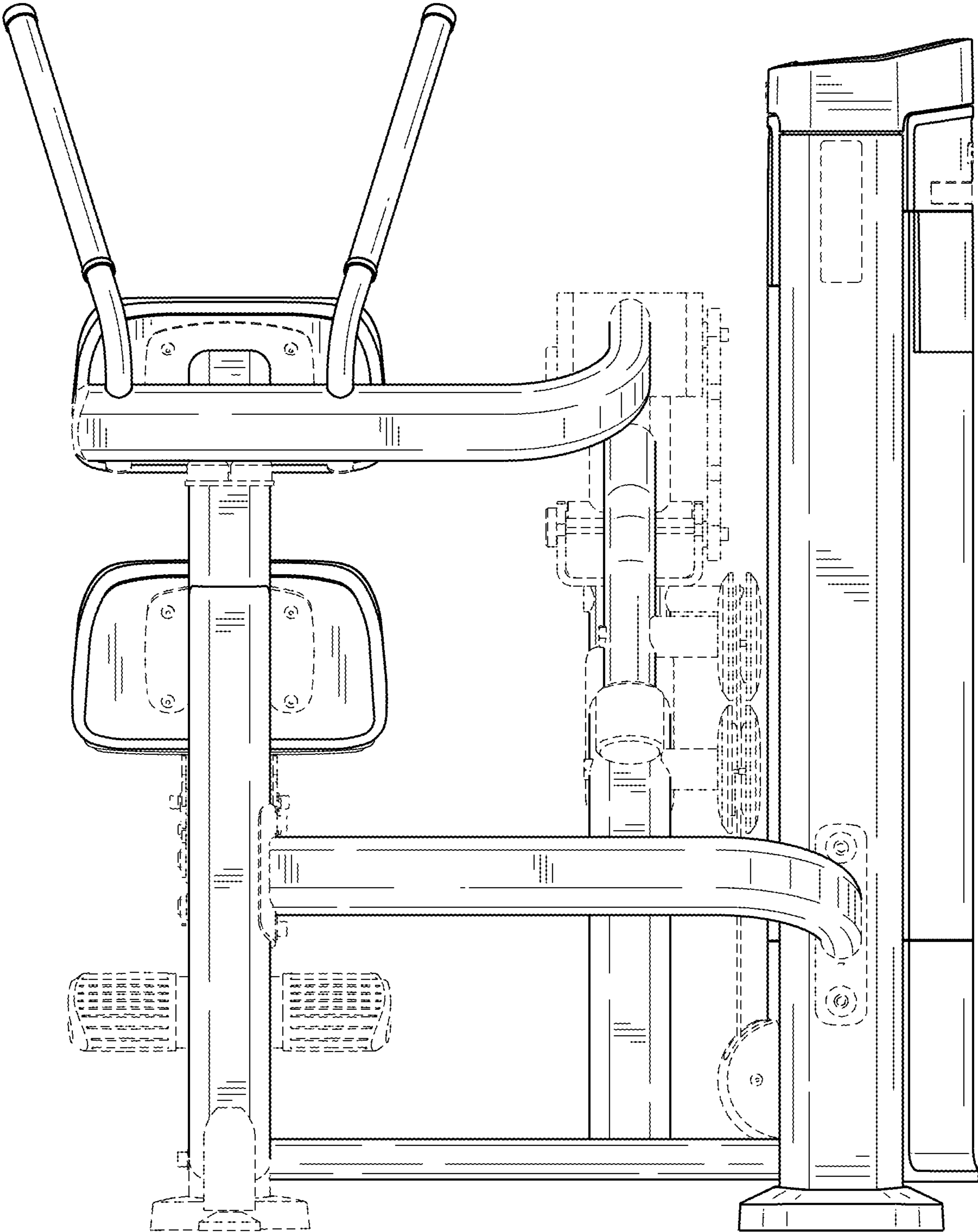


FIG. 4

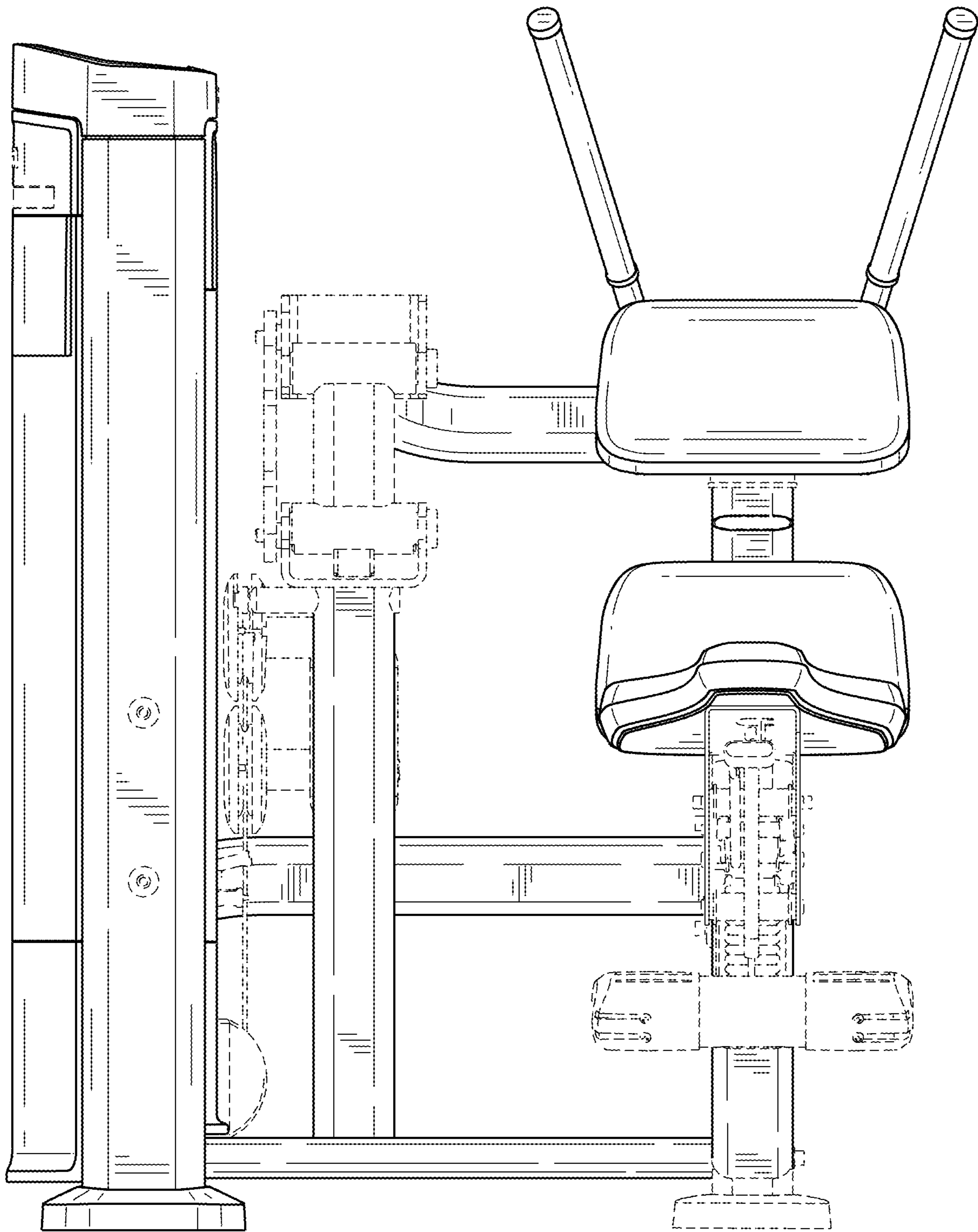


FIG. 5

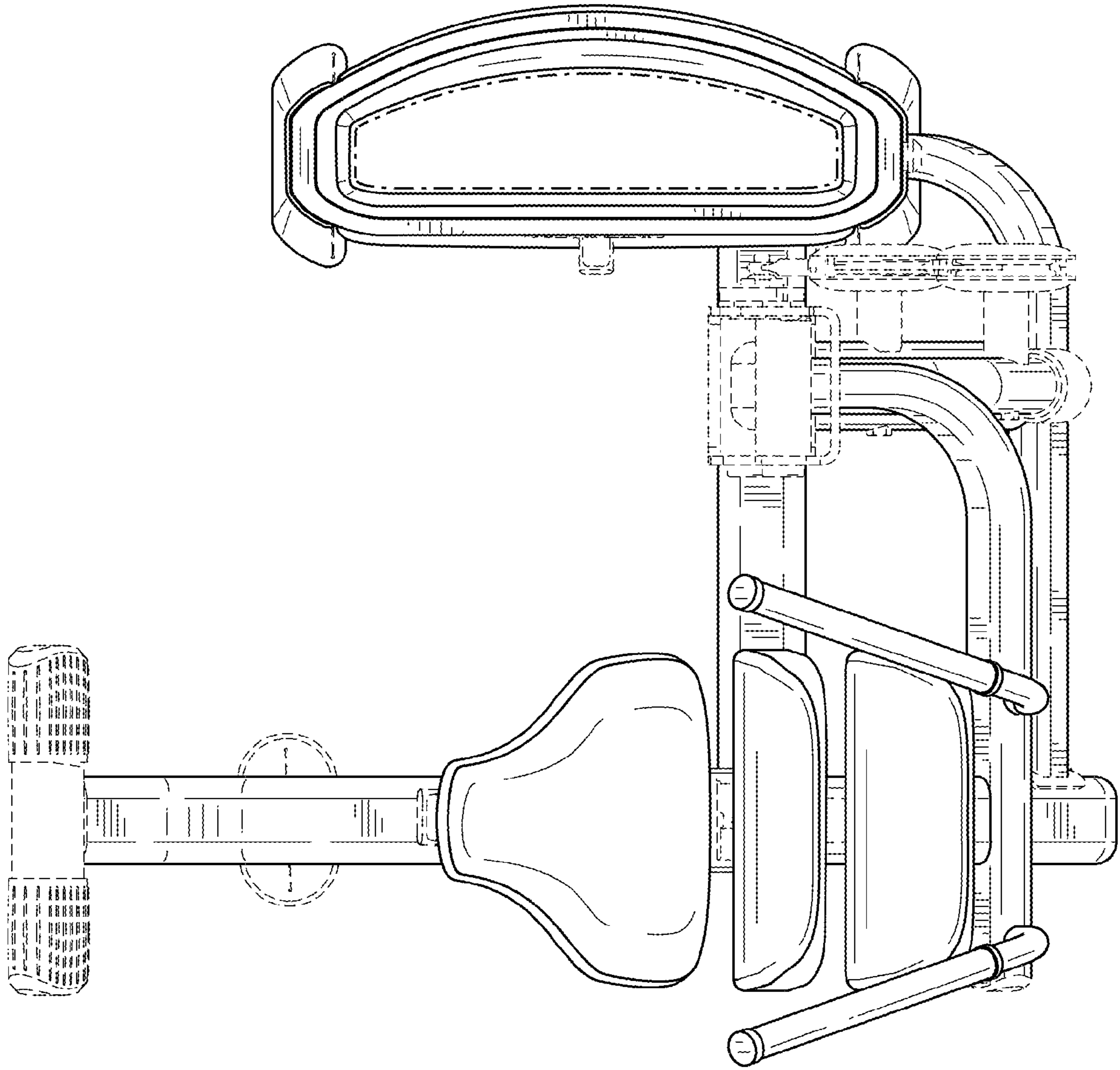


FIG. 6

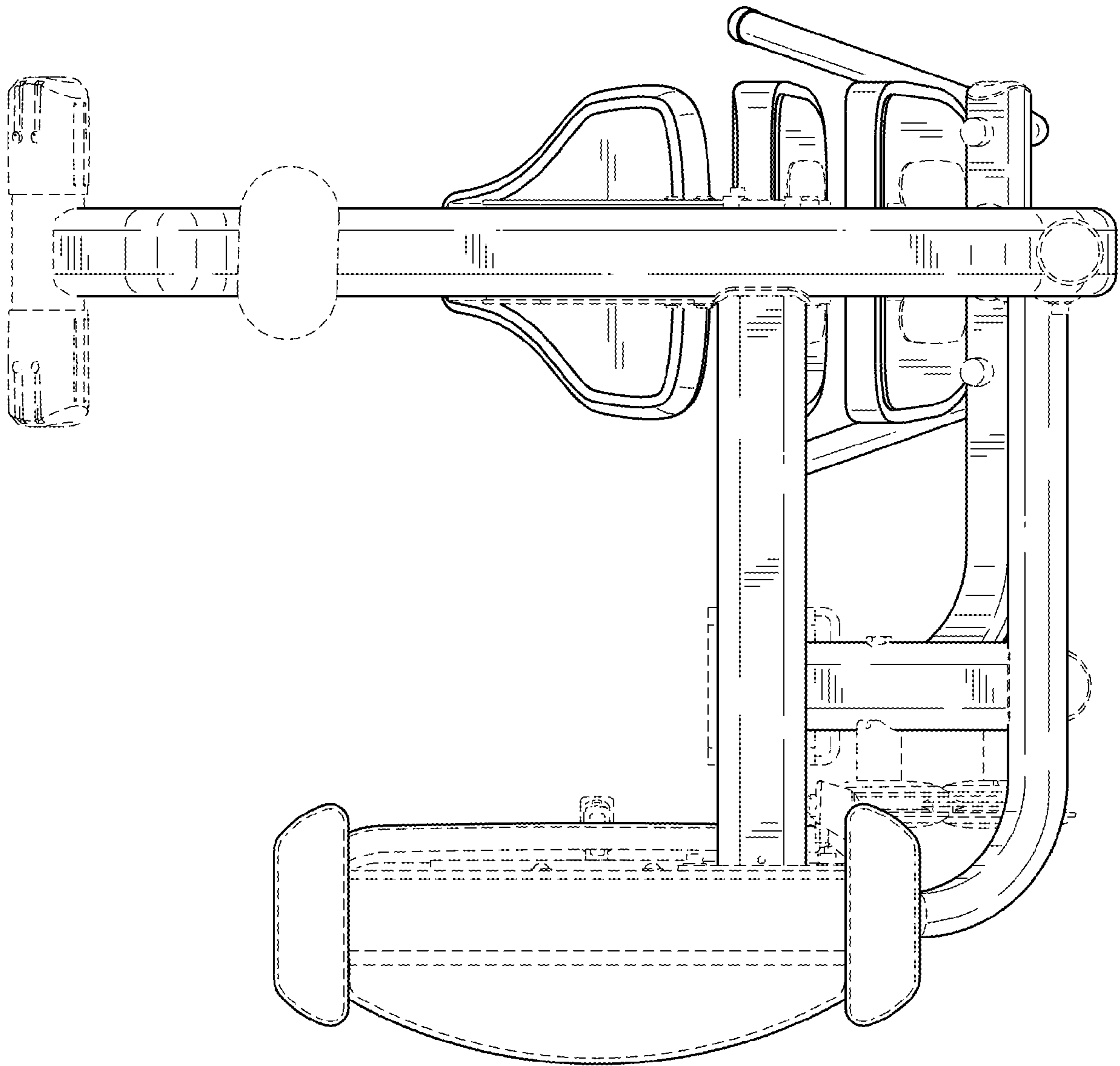


FIG. 7