



US00D952776S

(12) **United States Design Patent** (10) **Patent No.:** **US D952,776 S**  
**Adams** (45) **Date of Patent:** **\*\* May 24, 2022**

(54) **WEIGHT RACK**  
(71) Applicant: **Coulter Ventures, LLC.**, Columbus, OH (US)  
(72) Inventor: **Bryan Adams**, Columbus, OH (US)  
(73) Assignee: **Coulter Ventures, LLC.**, Columbus, OH (US)

D291,338 S 8/1987 Ringel et al.  
D306,467 S \* 3/1990 Smith ..... D21/691  
4,907,798 A 3/1990 Burchatz  
5,203,752 A 4/1993 Frankel  
5,273,506 A 12/1993 Dawson, Jr.  
5,372,556 A 12/1994 Ropp  
5,395,296 A 3/1995 Webster et al.  
D358,623 S 5/1995 Macasieb  
5,411,453 A 5/1995 Wilson  
(Continued)

(\*\*) Term: **15 Years**

**OTHER PUBLICATIONS**

(21) Appl. No.: **29/777,321**  
(22) Filed: **Apr. 5, 2021**

Roguefitness, "Rogue Monster Climbing Hold Crossmembers", Jan. 14, 2020. [https://www.roguefitness.com/rogue-monster-climbing-hold-crossmember?prod\\_id=674268&gclid=CjwKCAiA6vXwBRBKEiwAYE7iS\\_Zy9bmf6yjAtCsxaQrVrJkdDypcRxqH6MGaAQf7xiwX6WZlcb0xoCGLAQAvD\\_BwE](https://www.roguefitness.com/rogue-monster-climbing-hold-crossmember?prod_id=674268&gclid=CjwKCAiA6vXwBRBKEiwAYE7iS_Zy9bmf6yjAtCsxaQrVrJkdDypcRxqH6MGaAQf7xiwX6WZlcb0xoCGLAQAvD_BwE). Shown on p. 1. (Year: 2020).

**Related U.S. Application Data**

(63) Continuation of application No. 29/706,991, filed on Sep. 25, 2019, now Pat. No. Des. 915,534.

(51) **LOC (13) Cl.** ..... **21-02**  
(52) **U.S. Cl.**  
USPC ..... **D21/686**

(Continued)

*Primary Examiner* — Ryan Harvey  
(74) *Attorney, Agent, or Firm* — Banner & Witcoff, Ltd.

(58) **Field of Classification Search**  
USPC ..... D21/694, 686, 676, 673, 690, 681, 680, D21/682, 688, 663, 679, 691, 674; 482/131, 38, 142, 130, 94, 145, 108, 104, 482/129, 120, 98; D12/203, 130, 406; D24/188; D8/330; D6/536, 553  
CPC ..... A63B 21/0628; A63B 21/4035; A63B 21/078; A63B 21/075; A63B 21/063; A63B 21/0728; A63B 21/072; A63B 23/1218; A63B 23/1209; A63B 23/12; A63B 21/0783; A63B 21/4017  
See application file for complete search history.

(57) **CLAIM**

The ornamental design for a weight rack, as shown and described.

**DESCRIPTION**

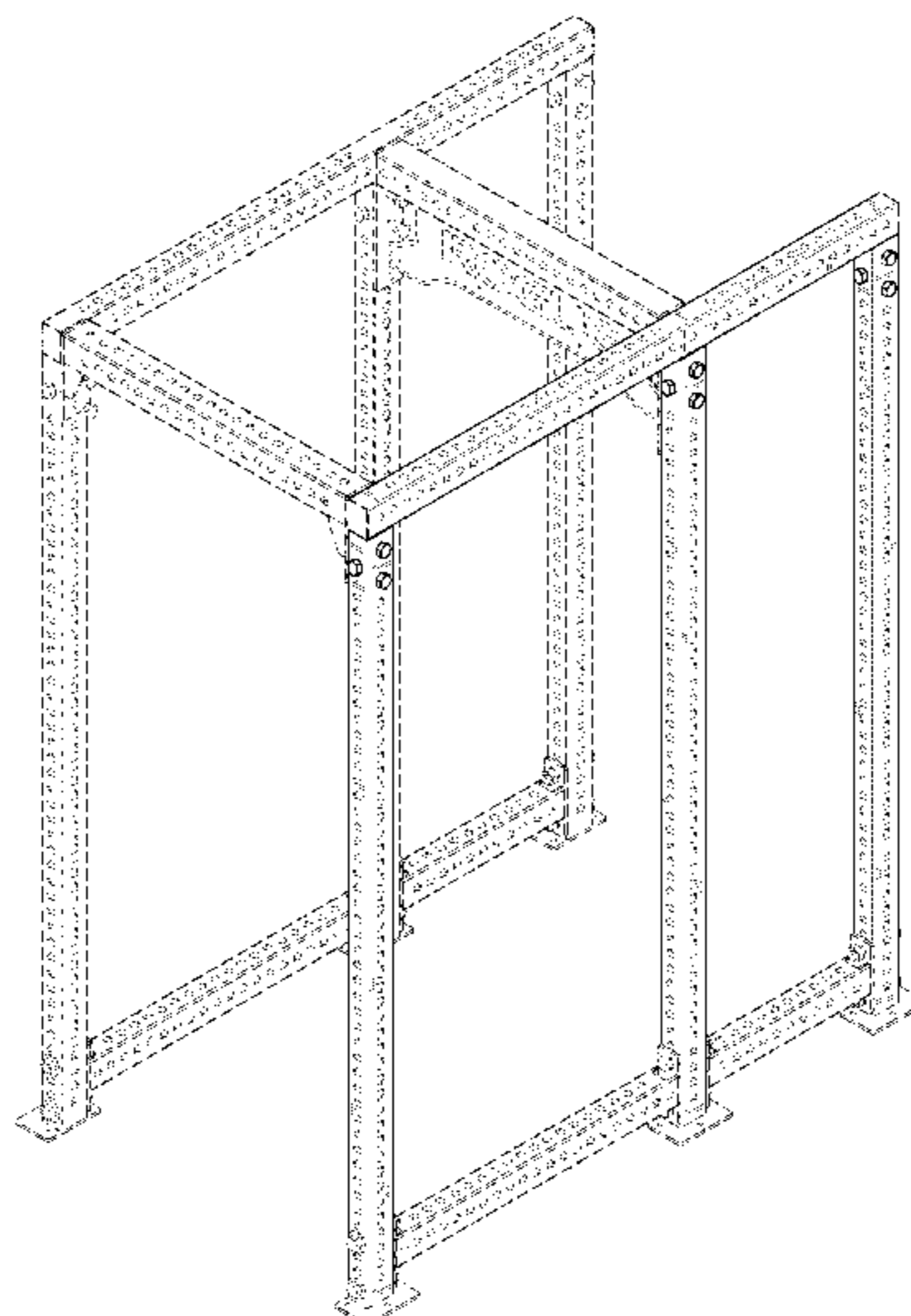
FIG. 1 is a top, front, left perspective view of a first embodiment of a weight rack showing my new design; FIG. 2 is a front view thereof; FIG. 3 is a rear view thereof; FIG. 4 is a left side view thereof; FIG. 5 is a top view thereof; and, FIG. 6 is a top, rear, left perspective view thereof. The broken lines immediately adjacent to the shaded areas define the bounds of the claimed design and form no part thereof. The broken lines depicting the remainder of the weight rack show features that form no part of the claimed design.

(56) **References Cited**

**U.S. PATENT DOCUMENTS**

878,810 A 2/1908 Letzkus  
2,067,403 A 1/1937 Lea  
D212,021 S 8/1968 Gregory  
4,527,797 A 7/1985 Slade, Jr. et al.  
4,666,154 A 5/1987 Lipscomb et al.

**1 Claim, 6 Drawing Sheets**





(56)

References Cited

U.S. PATENT DOCUMENTS

5,755,823 A 5/1998 Cleary  
D408,480 S \* 4/1999 Haugo ..... D21/691  
5,928,119 A 7/1999 Dinkel  
6,220,988 B1 4/2001 Williams  
D496,248 S 9/2004 Liebendorfer  
D549,291 S 8/2007 Grider  
D550,790 S 9/2007 Staten  
D550,791 S 9/2007 Rogers et al.  
D550,792 S 9/2007 Rogers et al.  
D550,793 S 9/2007 Rogers et al.  
D551,306 S 9/2007 Rogers et al.  
D629,472 S 12/2010 Rhodes  
D635,206 S \* 3/2011 Henniger ..... D21/691  
D636,038 S 4/2011 Henniger  
D636,039 S \* 4/2011 Henniger ..... D21/691  
D636,040 S \* 4/2011 Henniger ..... D21/691  
3,016,686 A1 9/2011 Liggett et al.  
RE43,397 E 5/2012 Rogers et al.  
D664,622 S 7/2012 Orsulak et al.  
D664,624 S 7/2012 Orsulak et al.  
D672,419 S 12/2012 Stroit  
D697,988 S 1/2014 Januszek  
D698,402 S 1/2014 Saletta  
D699,805 S 2/2014 Green  
8,876,673 B2 11/2014 Inglut  
8,998,781 B1 4/2015 Nelson  
D734,410 S 7/2015 Childs et al.  
9,095,742 B2 8/2015 Henniger et al.  
D742,979 S 11/2015 Post  
9,192,799 B2 11/2015 Alenaddaf  
9,278,246 B2 3/2016 Tambomino et al.  
9,295,871 B2 3/2016 Luedeka  
D762,789 S 8/2016 Gilchrist  
D767,692 S 9/2016 Kuka  
D767,693 S 9/2016 Kuka  
9,492,701 B1 11/2016 Bognatz  
D781,453 S 3/2017 Gomez  
9,610,490 B2 4/2017 Tambomino et al.  
D788,945 S 6/2017 Meyer  
D794,144 S 8/2017 Abelbeck et al.  
D815,305 S 4/2018 Alvarado et al.  
D818,547 S 5/2018 Meredith et al.  
D836,172 S 12/2018 Kuka  
10,226,661 B2 3/2019 Henniger et al.  
D852,289 S 6/2019 Jones et al.  
D852,291 S 6/2019 Meredith et al.  
10,307,634 B2 6/2019 Young  
D852,907 S \* 7/2019 Sergakis ..... D21/686  
D866,689 S 11/2019 Jones et al.  
D883,406 S \* 5/2020 Sergakis ..... D21/686  
D886,214 S 6/2020 Jones et al.  
D888,850 S \* 6/2020 Smith, Jr. .... D21/686  
D908,821 S \* 1/2021 Dunahay ..... D21/686  
D915,534 S \* 4/2021 Adams ..... D21/694  
10,967,218 B2 \* 4/2021 Murrell ..... A63B 21/4035  
D928,253 S \* 8/2021 Dunahay ..... D21/686  
D932,572 S \* 10/2021 Pritchett ..... D21/686  
D932,573 S \* 10/2021 Adams ..... D21/694  
2007/0032357 A1 2/2007 Piane  
2007/0155594 A1 7/2007 Rogers et al.  
2007/0155595 A1 7/2007 Rogers et al.  
2007/0155596 A1 7/2007 Rogers et al.  
2012/0142506 A1 6/2012 Hetrick et al.  
2012/0329613 A1 12/2012 Schiano  
2013/0274080 A1 10/2013 Matsushita  
2013/0296143 A1 11/2013 Staten et al.  
2013/0296146 A1 11/2013 Staten et al.  
2013/0324382 A1 12/2013 Wilson  
2014/0014604 A1 1/2014 de Moraes Correia  
2014/0087928 A1 3/2014 Luedeka  
2014/0135182 A1 5/2014 Inglut  
2014/0135183 A1 5/2014 Inglut  
2014/0274563 A1 9/2014 Sheta  
2015/0011370 A1 \* 1/2015 Henniger ..... A63B 23/0211  
482/145

2015/0014212 A1 1/2015 Beaver et al.  
2015/0016919 A1 1/2015 Tambomino et al.  
2015/0059257 A1 3/2015 Beaver et al.  
2015/0065316 A1 3/2015 Towley, III et al.  
2015/0196119 A1 7/2015 Henniger  
2015/0290488 A1 10/2015 Hopperstad et al.  
2016/0023035 A1 1/2016 Meyer  
2017/0007877 A1 1/2017 Leipheimer  
2017/0056705 A1 3/2017 Zha et al.  
2017/0080276 A1 3/2017 Lopes Rodrigues  
2017/0120099 A1 5/2017 Biddix, Jr.  
2017/0189736 A1 7/2017 Martin  
2017/0246496 A1 8/2017 Nelson et al.  
2018/0011738 A1 1/2018 Abdallah  
2018/0036573 A1 2/2018 Lennox et al.  
2018/0056108 A1 3/2018 Kelly  
2018/0117382 A1 5/2018 Johanson et al.  
2018/0178051 A1 6/2018 Shaw, Jr.  
2018/0243597 A1 \* 8/2018 Schlegel ..... A63B 71/023  
2018/0326250 A1 11/2018 Henniger et al.  
2018/0353795 A1 \* 12/2018 Ostmeyer ..... A63B 23/035  
2019/0009157 A1 1/2019 Sudeith et al.  
2019/0026999 A1 1/2019 Kinno et al.  
2019/0126088 A1 5/2019 Henniger et al.  
2019/0240521 A1 8/2019 Staten  
2019/0269992 A1 \* 9/2019 Dunahay ..... A47B 57/34  
2019/0275363 A1 \* 9/2019 Jones ..... A63B 21/078  
2020/0017974 A1 1/2020 Zamoshchik et al.  
2020/0179744 A1 \* 6/2020 Arroyo ..... A63B 21/0626  
2020/0222745 A1 7/2020 Leipheimer

OTHER PUBLICATIONS

Product listing for Rogue Monster Wingspan Rig from <https://www.roguefitness.com/rogue-monster-wingspan-rig>, dated Mar. 20, 2020, product available prior to Jul. 31, 2018.  
Product listing for Rogue Monster Crossmembers from <https://web.archive.org/web/20180831022022/https://www.roguefitness.com/rogue-monster-crossmembers>, dated Aug. 31, 2018.  
Product listing for Rogue Monster Crossmembers from <https://web.archive.org/web/20151005121212/https://www.roguefitness.com/rogue-monster-crossmembers>, dated Oct. 5, 2015.  
Monster Daisy Chain Crossmembers by Rogue dated no date given. Found online [Aug. 31, 2020] <https://www.roguefitness.com/monster-daisy-chain-crossmembers>.  
Titan power squat, announced [2016]. [site visited Apr. 28, 2021]. Available on internet, URL:[https://www.amazon.com/<http://www.amazon.com/>Titan-Power-Squat-Deadlift-Barbell/dp/B011RLMUOM/ref=sr\\_1\\_49?dchild=1&keywords=weight+rack+attachment&qid=1619698220&sr=8-49](https://www.amazon.com/<http://www.amazon.com/>Titan-Power-Squat-Deadlift-Barbell/dp/B011RLMUOM/ref=sr_1_49?dchild=1&keywords=weight+rack+attachment&qid=1619698220&sr=8-49) (Year: 2016).  
Product listing for Rogue RM-390F Flat Foot Monster Rack, From: <http://web.archive.org/web/20170706085338/http://www.roguefitness.com/rogue-rm-390f-flat-foot-monster-rack-2-0>, dated Jan. 29, 2016, accessed Jun. 25, 2021.  
Product listing for RML-390F Flat Foot Monster Lite Rack, From: <http://web.archive.org/web/20180725012230/https://www.roguefitness.com/rml-390f-flat-foot-monster-lite-rack>, dated Jun. 14, 2014, accessed Jun. 25, 2021.  
Product listing for Rogue RM-6 Monster Rack from <https://web.archive.org/web/20180725062357/https://www.roguefitness.com/rogue-rm-6-bolt-together-monster-rack-2-0>, dated Jul. 25, 2018.  
Product listing for Rogue Monster Lite Crossmembers from <https://web.archive.org/web/20180726214651/https://www.roguefitness.com/monster-lite-crossmembers>, dated Jul. 26, 2018.  
Product listing for Rogue Monster Crossmembers from <https://web.archive.org/web/20151005121212/http://www.roguefitness.com/rogue-monster-crossmembers>, dated Oct. 5, 2015.  
Product listing for Rogue Monster Lite Crossmembers from <https://web.archive.org/web/20150831043319/http://www.roguefitness.com/monster-lite-crossmembers>, dated Aug. 31, 2015.  
Product listing for Monster Lite Monkey Rig 2.0 from <https://web.archive.org/web/20161202195146/http://www.roguefitness.com/rogue-monster-lite-monkey-rig-2-0>, dated Dec. 2, 2016.

(56)

**References Cited**

## OTHER PUBLICATIONS

Product listing for Rogue Echo Rig from <<https://web.archive.org/web/20160518084653/http://www.roguefitness.com/echo-rig>>, dated May 18, 2016.

Product listing for Rogue Monster Lite Rig 2.0 from <<https://web.archive.org/web/20160511215330/http://www.roguefitness.com/monster-lite-rig-2-0>>, dated May 11, 2016.

Product listing for Rogue Monster Rig 2.0 from <<https://web.archive.org/web/20160511213413/http://www.roguefitness.com/monster-rig-2-0>>, dated May 11, 2016.

Product listing for Rogue Infinity Rig from <<https://web.archive.org/web/20160518082947/http://www.roguefitness.com/infinity-rig>>, dated May 18, 2016.

Product listing for Rogue Monster Rig from <<https://web.archive.org/web/20160317072250/http://www.roguefitness.com/monster-rig>>, dated Mar. 17, 2016.

Photos of Rogue Regional Rig, known to be publicly disclosed prior to Apr. 25, 2017.

Photos of Rogue Regional Rig from <<https://twitter.com/roguefitness/status/865599795754180608>>, dated May 19, 2017.

Screenshots taken from <[https://www.youtube.com/watch?v=OWN6HYHR0\\_Y](https://www.youtube.com/watch?v=OWN6HYHR0_Y)>, dated Jul. 28, 2017.

Product listing for Rogue Monster Lite Monkey Rig 2.0 from <https://web.archive.org/web/20170629153857/http://www.roguefitness.com/rogue-monster-lite-monkey-rig-2-0>, dated Jun. 29, 2017.

Product listing for Monster Lite Crossmembers from <https://web.archive.org/web/20180726214651/https://www.roguefitness.com/monster-lite-crossmembers>, dated Jul. 26, 2018.

Product listing for Rogue Infinity Crossmembers from <https://web.archive.org/web/20171106183221/http://www.roguefitness.com/rogue-infinity-crossmembers>, dated Nov. 6, 2017.

Product listing for Rogue Infinity Crossmembers from <https://web.archive.org/web/20151005114744/http://www.roguefitness.com/rogue-infinity-crossmembers>, dated Oct. 5, 2015.

Product listing for Rogue Echo Crossmembers from <https://web.archive.org/web/20151005124555/http://www.roguefitness.com/rogue-echo-crossmembers>, dated Oct. 5, 2015.

Product listing for Monster Rig 2.0; from <http://web.archive.org/web/20201130080046/https://www.roguefitness.com/monster-rig-2-0>; dated Apr. 30, 2016, accessed Jan. 15, 2022.

Product listing for Rogue RM-43 Monster Rack; from <http://web.archive.org/web/20201109220943/https://www.roguefitness.com/rm43>; dated Jul. 1, 2020, accessed Jan. 15, 2022.

\* cited by examiner



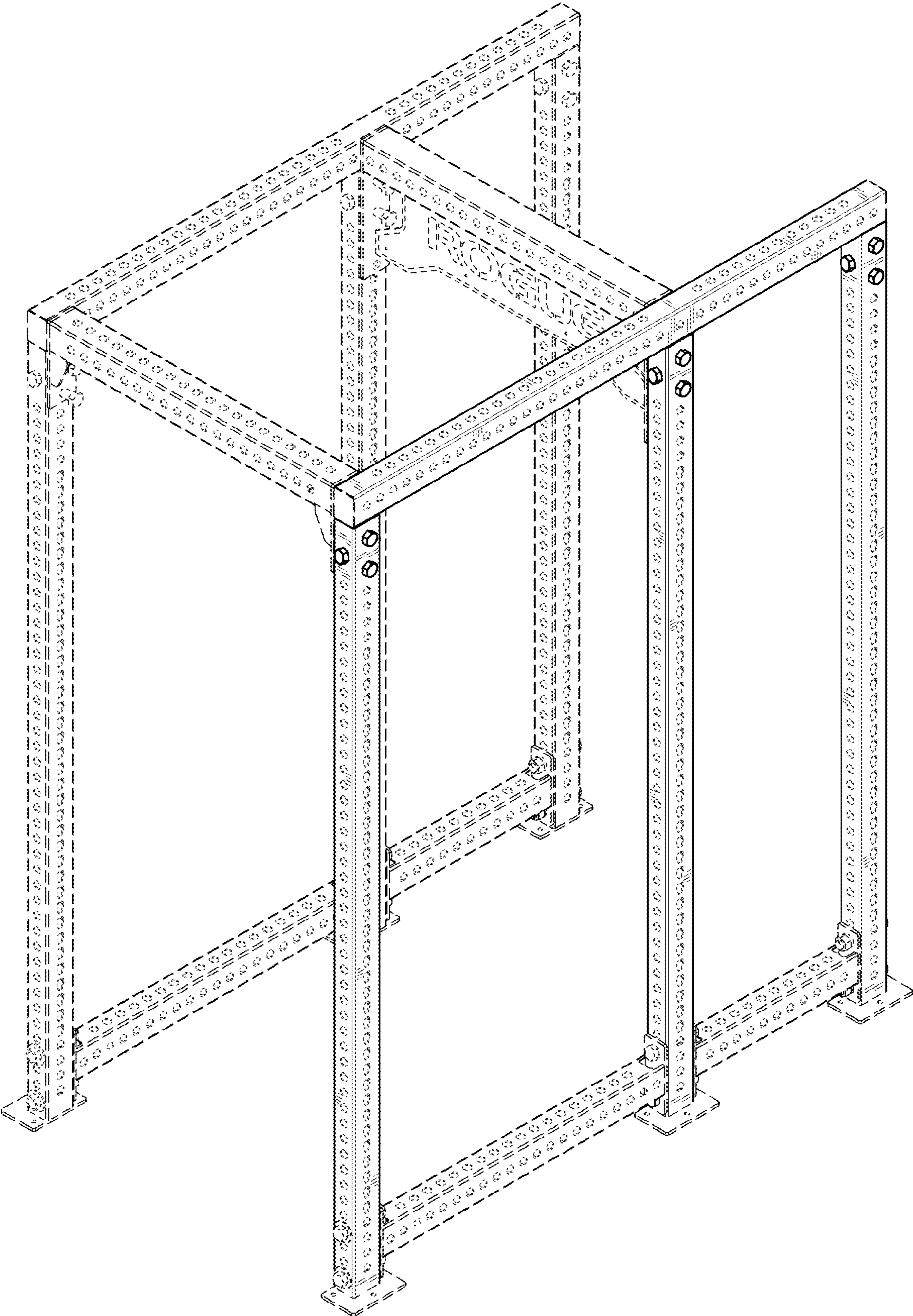


FIG. 1

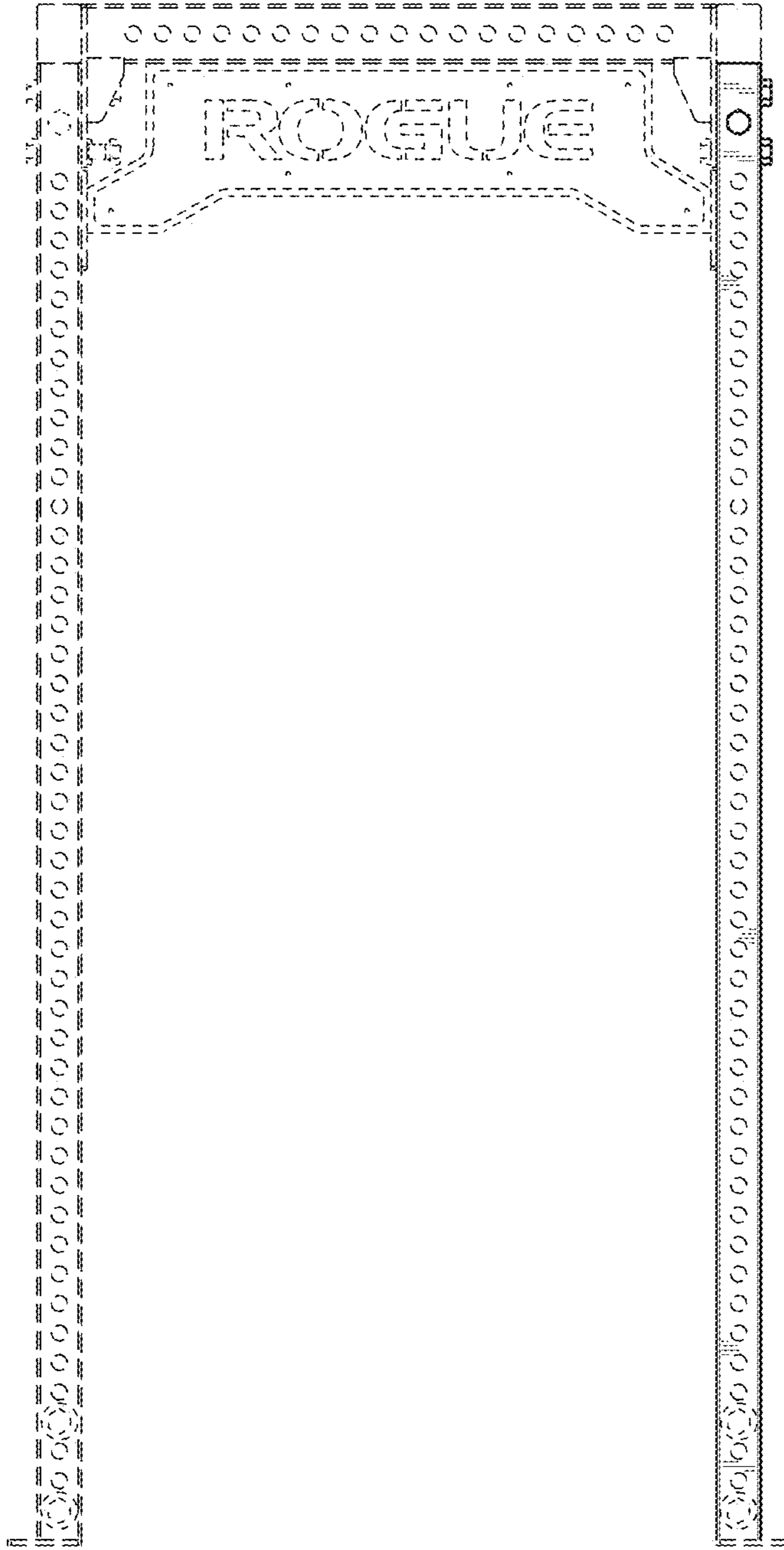


FIG. 2

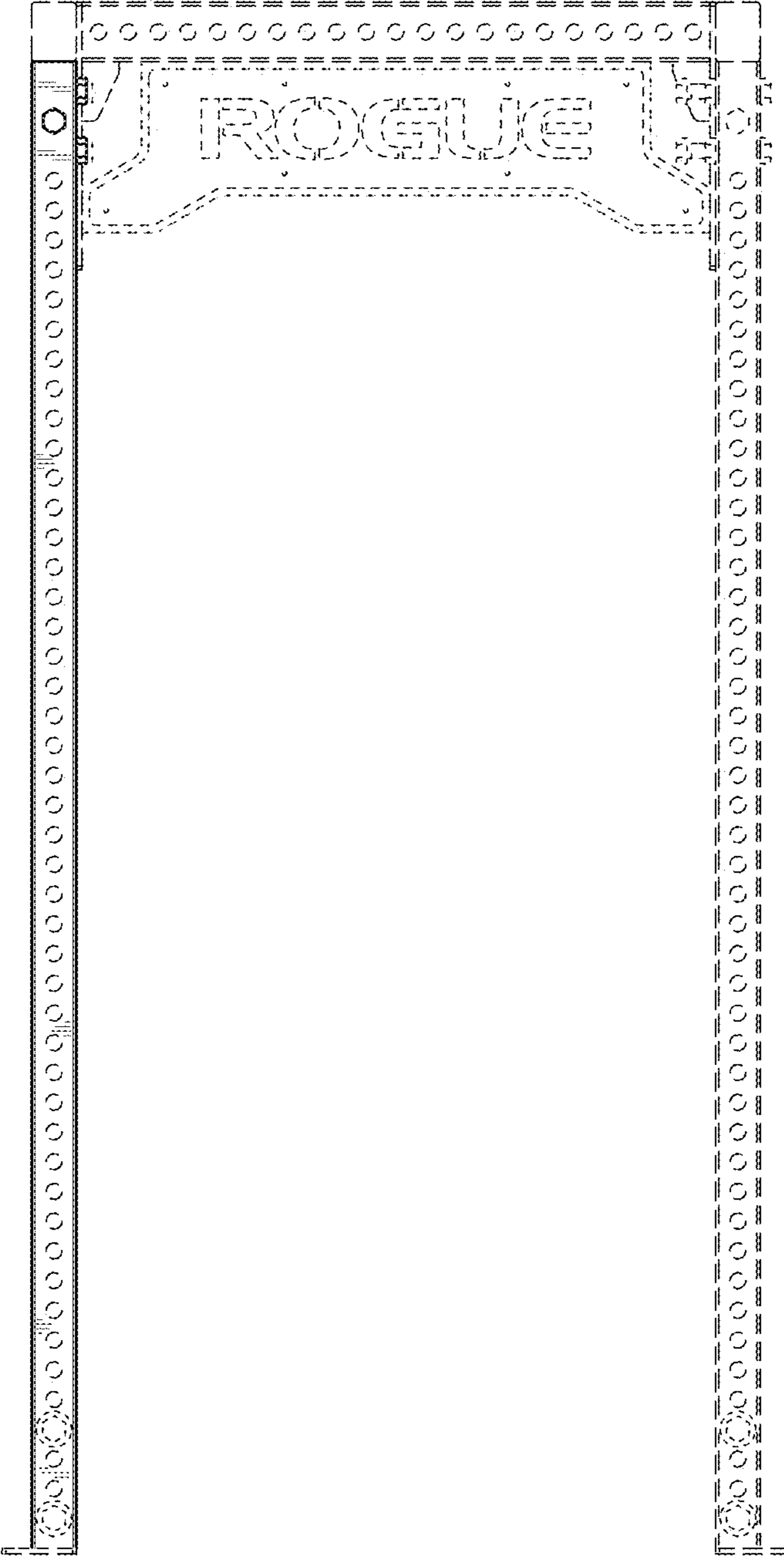


FIG. 3

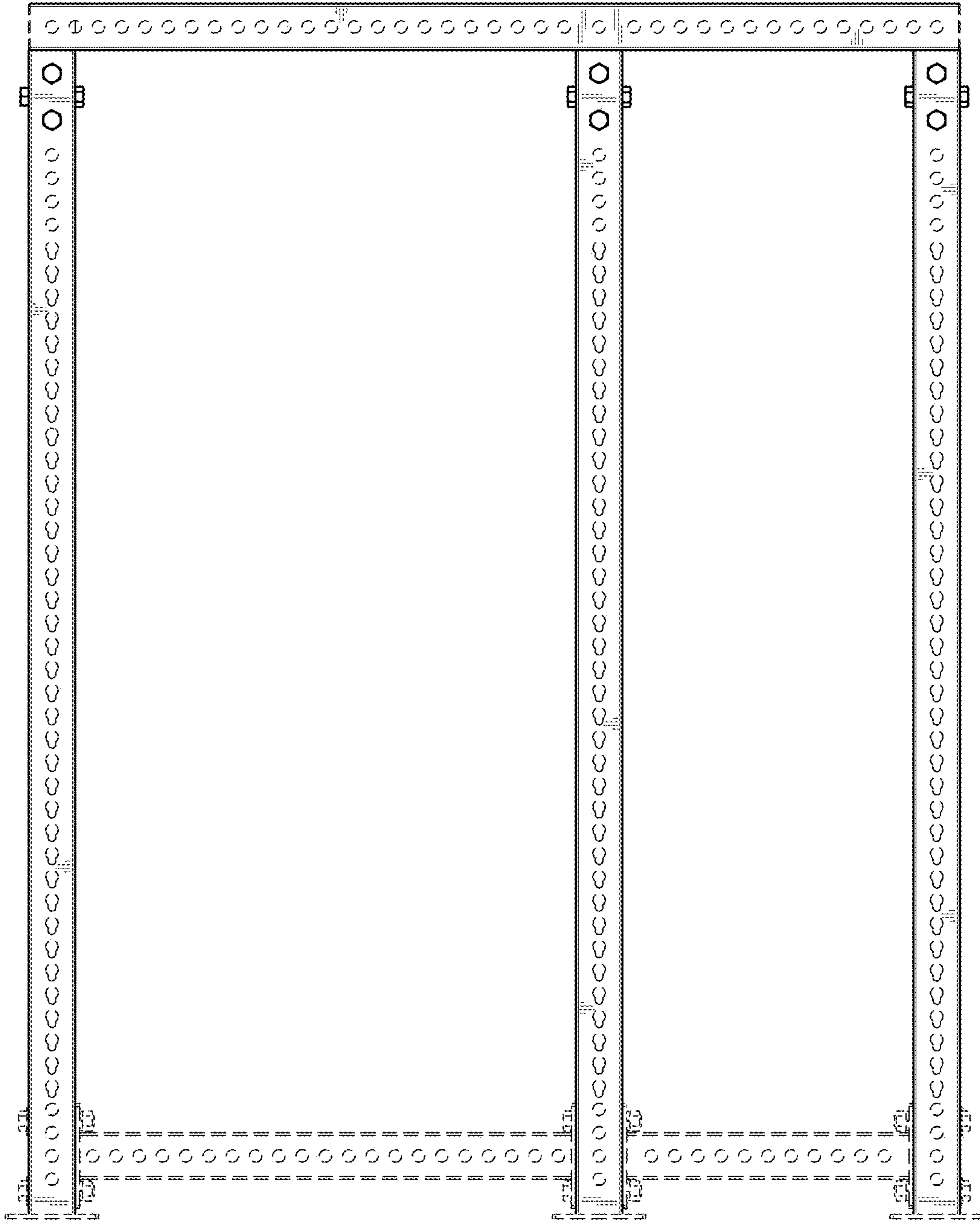


FIG. 4

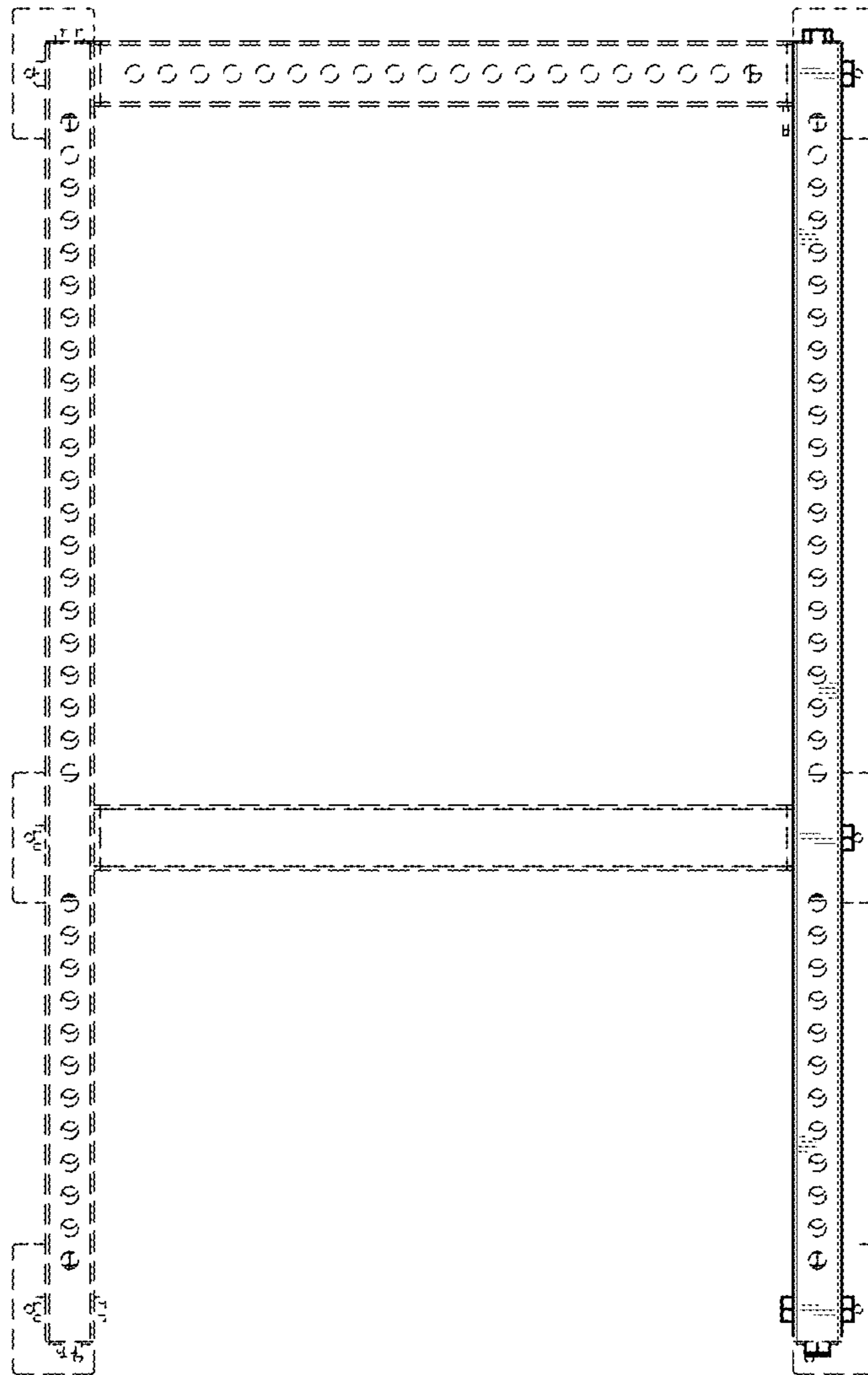


FIG. 5



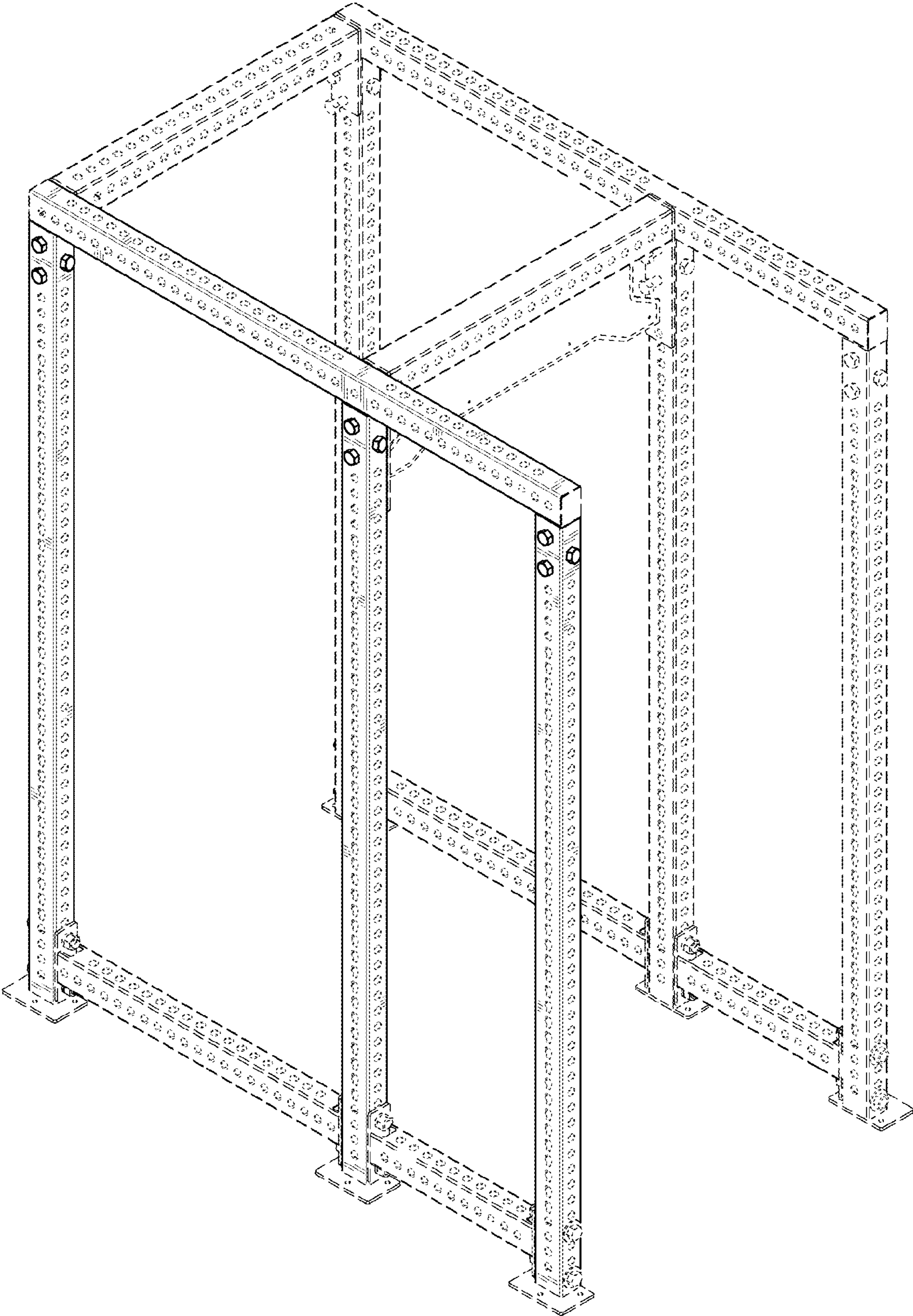


FIG. 6