



US00D952775S

(12) **United States Design Patent** (10) **Patent No.:** **US D952,775 S**
Kim et al. (45) **Date of Patent:** **** May 24, 2022**

(54) **EXERCISING APPARATUS EQUIPPED WITH WEIGHT SCALE**

(71) Applicant: **LG ELECTRONICS INC.**, Seoul (KR)

(72) Inventors: **Byeongwook Kim**, Seoul (KR); **Dongsoon Kim**, Seoul (KR); **Kyungmin Lee**, Seoul (KR); **Sungjae Chung**, Seoul (KR)

(73) Assignee: **LG ELECTRONICS INC.**, Seoul (KR)

(**) Term: **15 Years**

(21) Appl. No.: **29/739,334**

(22) Filed: **Jun. 24, 2020**

(30) **Foreign Application Priority Data**

Jan. 8, 2020 (KR) 30-2020-0000981

(51) **LOC (13) Cl.** **21-02**

(52) **U.S. Cl.**
USPC **D21/686**

(58) **Field of Classification Search**
USPC D21/329, 330, 336, 662, 673, 686, 671,
D21/665, 684, 682, 692, 694; D10/87,
D10/88, 89, 92

See application file for complete search history.

(56) **References Cited**

U.S. PATENT DOCUMENTS

D113,006 S *	1/1939	Kirk	D10/88
D377,784 S *	2/1997	Wilson	D10/93
D486,870 S *	2/2004	Mason	D21/662
D503,120 S *	3/2005	Sato	D10/93
7,608,024 B2 *	10/2009	Sechrest	A63B 21/154 482/103
D681,752 S *	5/2013	Meyer-Hayoz	D21/686
D746,925 S *	1/2016	Firth	D21/686
D808,287 S *	1/2018	Liang	D10/92
D808,288 S *	1/2018	Yu	D10/92
D895,463 S *	9/2020	Wen	D10/92

(Continued)

OTHER PUBLICATIONS

Forme life, announced Apr. 2020 [online], [site visited Aug. 17, 2021]. Available on internet, URL:https://www.theverge.com/2020/4/3/21207396/forme-connected-fitness-equipment-mirror-tonal-yves-beharB071XW4C5Q&pd_rd_r=8abd42ff-02eb-490e-a488-dad7e9a7098d&pd_rd_w=aSNtJ&pd_rd_wg=naeHb&pf_rd_p=3b2adfc6-e3ad-467a-9f38-271e811048b0&pf_rd_r=911EXCHTFHP7TCD4HFN3&qid=1628611521&sr=1-1-a73d1c8c-2fd2-4f19-aa41-2df022bcb241-spons&psc=1&spLa=ZW5jenlwdGVkUXVhbGlmaWVyPUE1NVpRWFRlT1lwUFomZW5jenlwdGVkSWQ9QTEwMzQwMTk0UkZUSIo0V1VXOUYmZW5jenlwdGVkQWRJZD1BMDE3NzE5MTFJVFZQQUVMUVFORIMmd2lkZ2V0TmFtZT1zcF9zZWYyY2hfdGhlbWF0aWMmYWN0aW9uPWNSaWNrUmVkaXJlY3QmZG9Ob3RMb2dDbGljaz10cnVI (Year: 2017).*

(Continued)

Primary Examiner — Khawaja Anwar

Assistant Examiner — Julice Seung Eun Oum

(74) *Attorney, Agent, or Firm* — Birch, Stewart, Kolasch & Birch, LLP

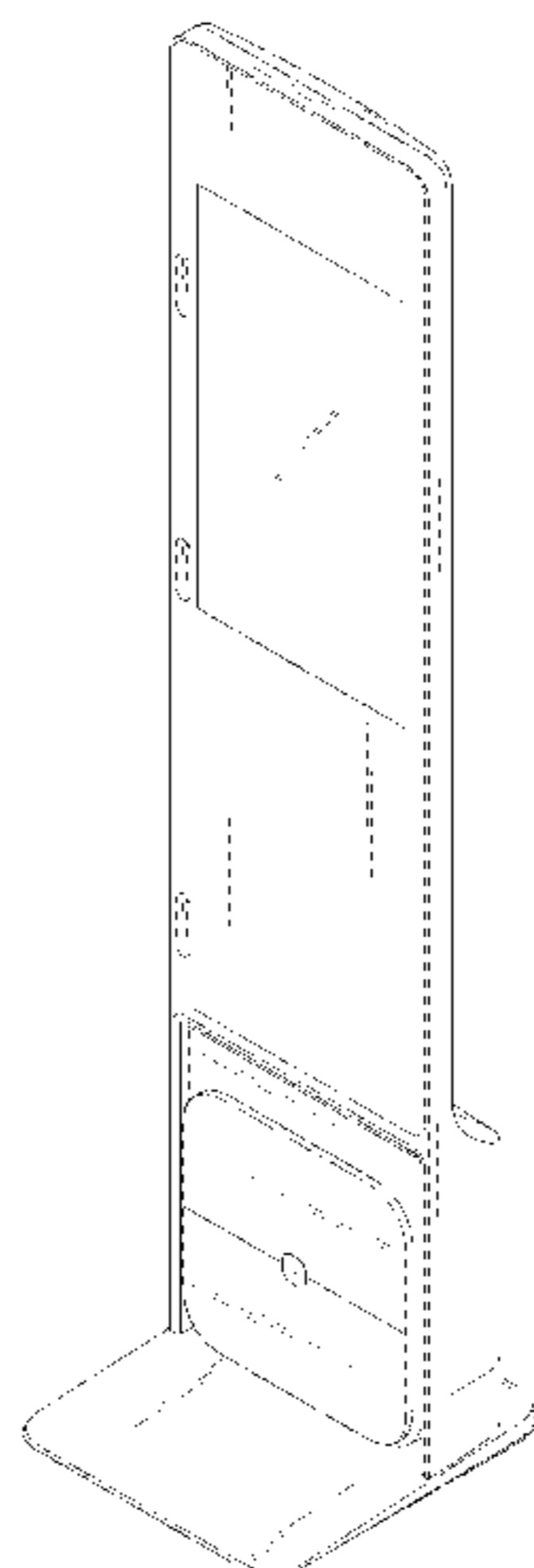
(57) **CLAIM**

The ornamental design for an exercising apparatus equipped with weight scale, as shown and described.

DESCRIPTION

FIG. 1 is a perspective view of an exercising apparatus equipped with weight scale showing the new design; FIG. 2 is a front elevation view thereof; FIG. 3 is a rear elevation view thereof; FIG. 4 is a left-side elevation view thereof; FIG. 5 is a right-side elevation view thereof; FIG. 6 is a top plan view thereof; FIG. 7 is a bottom plan view thereof; and, FIG. 8 is a perspective view showing a state of use thereof. The broken lines in the drawing figures are for the purpose of illustrating both portions of the exercising apparatus equipped with weight scale and an environment of use and form no part of the claimed design.

1 Claim, 8 Drawing Sheets



(56)

References Cited

U.S. PATENT DOCUMENTS

D912,168 S * 3/2021 Orady D21/673
2003/0045406 A1* 3/2003 Stone A63B 21/154
482/100
2013/0023390 A1* 1/2013 Ree A63B 23/03508
482/124
2013/0040787 A1* 2/2013 Giannelli A63B 23/03533
482/97
2016/0236025 A1* 8/2016 Henan A63B 23/03508
2020/0047027 A1* 2/2020 Ward A63B 24/0021
2020/0047031 A1* 2/2020 Orady A63B 23/03541

OTHER PUBLICATIONS

Withings store, announced 2017 [online], [site visited Aug. 17, 2021]. Available on internet, URL:[https://www.amazon.com/Withings-Nokia-Body-Composition-smartphone/dp/B071XW4C5Q/ref=sxin_13_pa_sp_search_thematic_sspa?cv_ct_cx=WEIGHT+SCALE&dchild=1&keywords=WEIGHT+SCALE&pd_rd_i=\(Year: 2017\).*](https://www.amazon.com/Withings-Nokia-Body-Composition-smartphone/dp/B071XW4C5Q/ref=sxin_13_pa_sp_search_thematic_sspa?cv_ct_cx=WEIGHT+SCALE&dchild=1&keywords=WEIGHT+SCALE&pd_rd_i=(Year: 2017).*)

* cited by examiner

FIG. 1

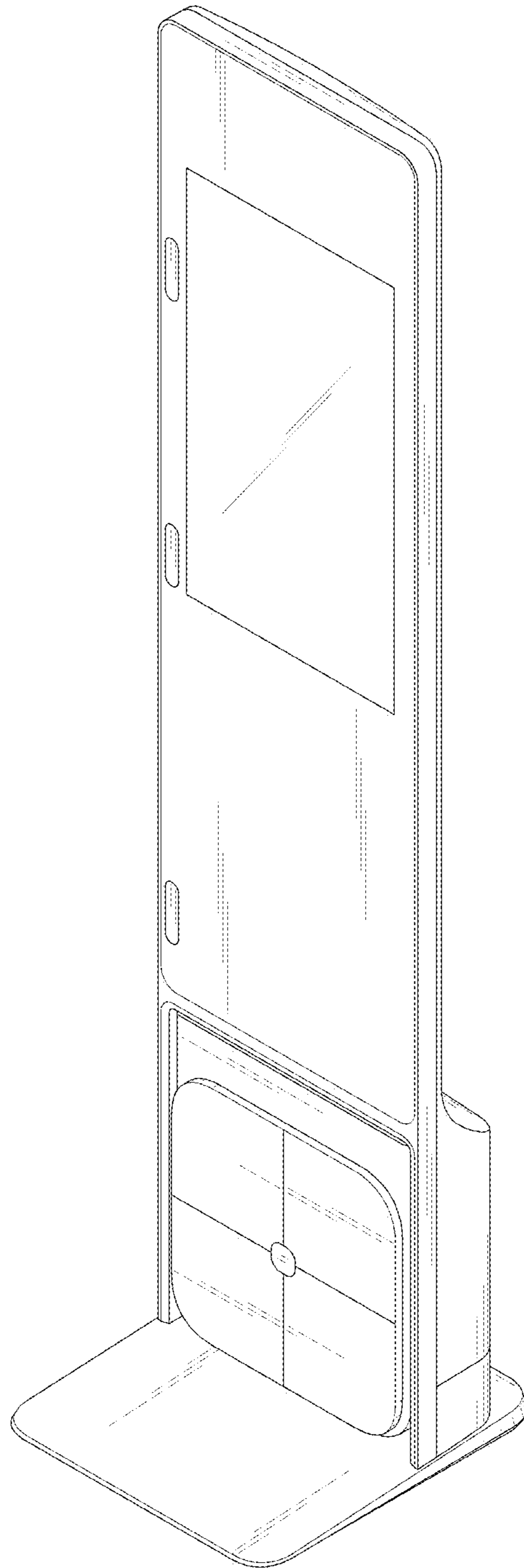


FIG. 2

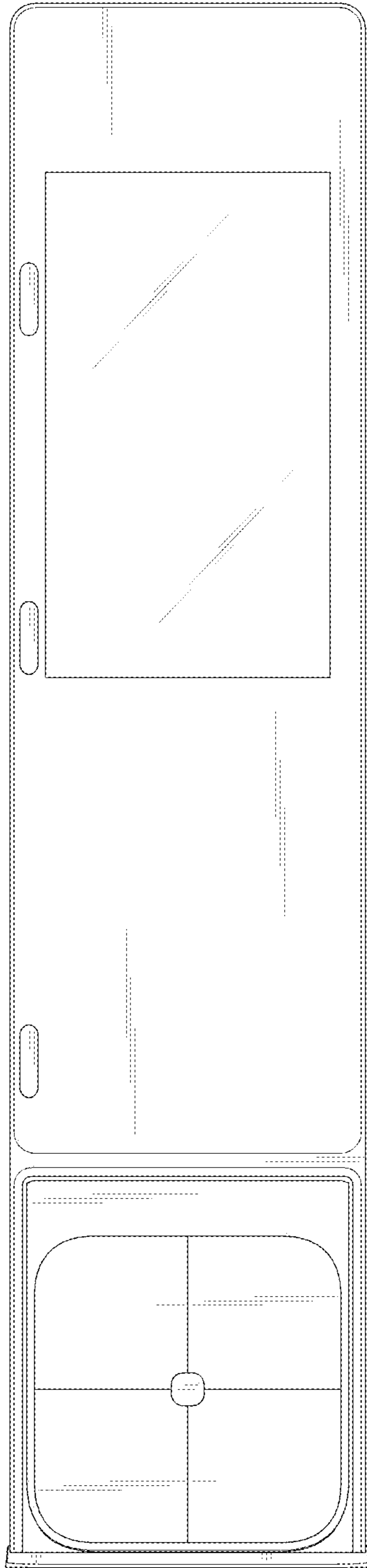


FIG. 3

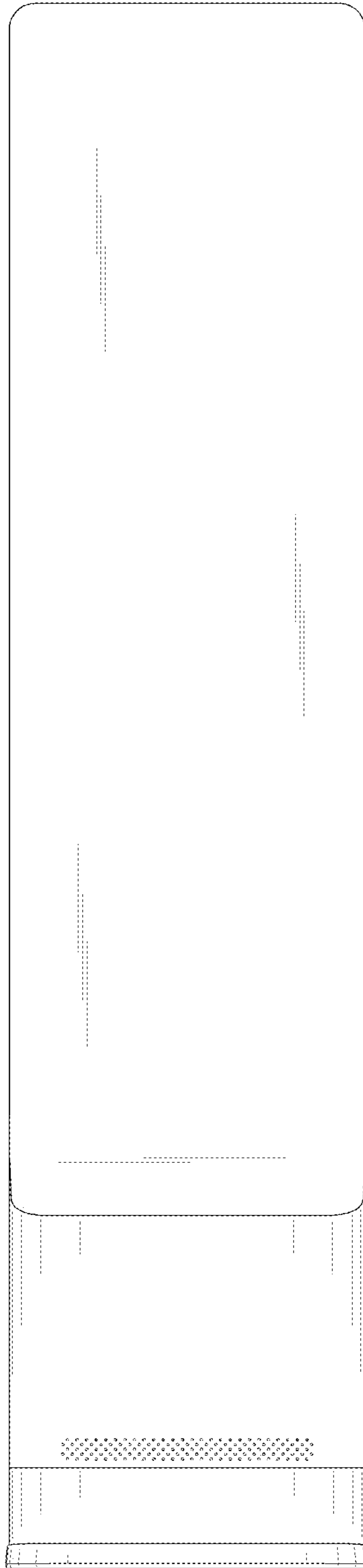


FIG. 4

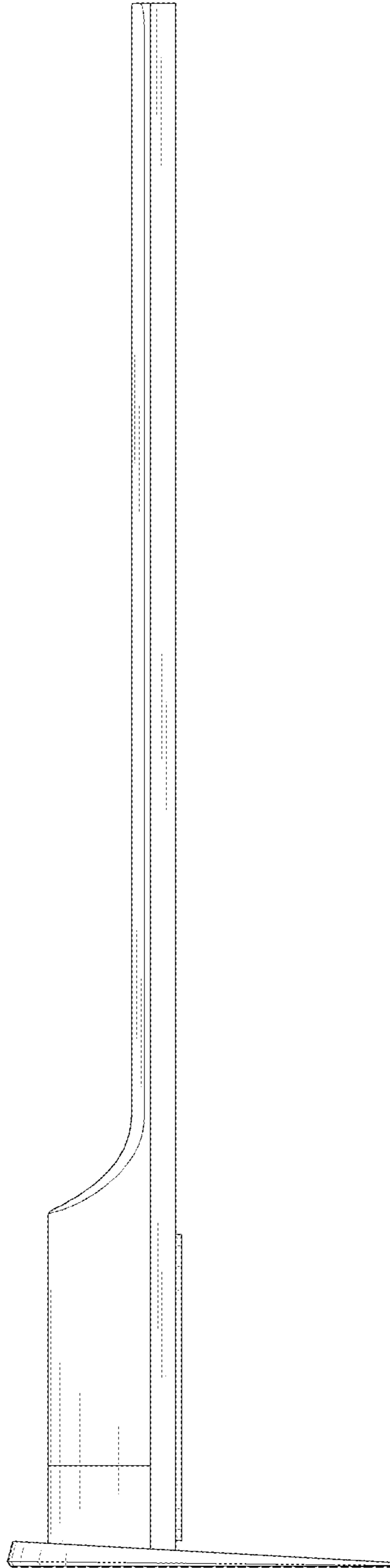


FIG. 5

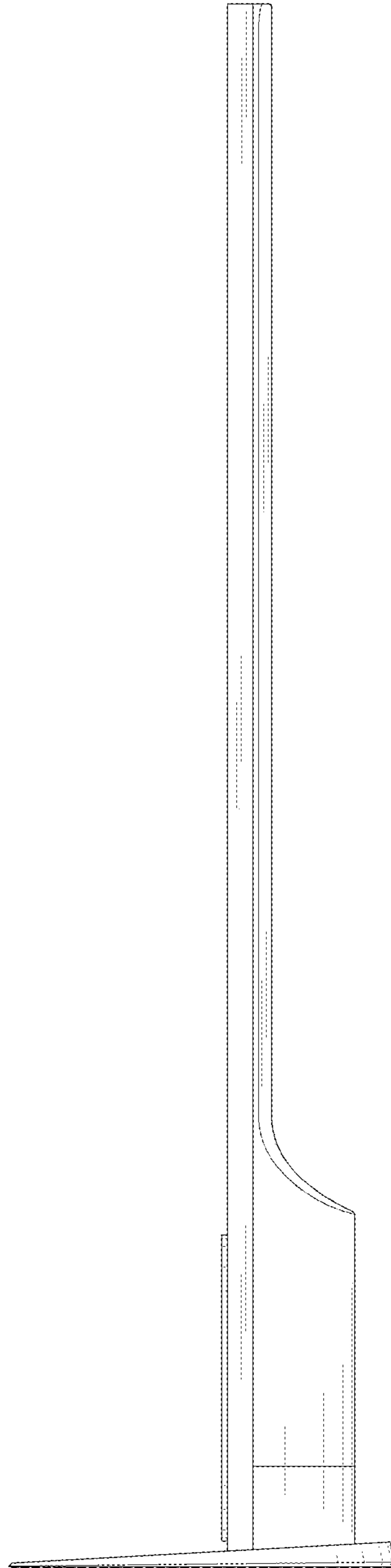


FIG. 6

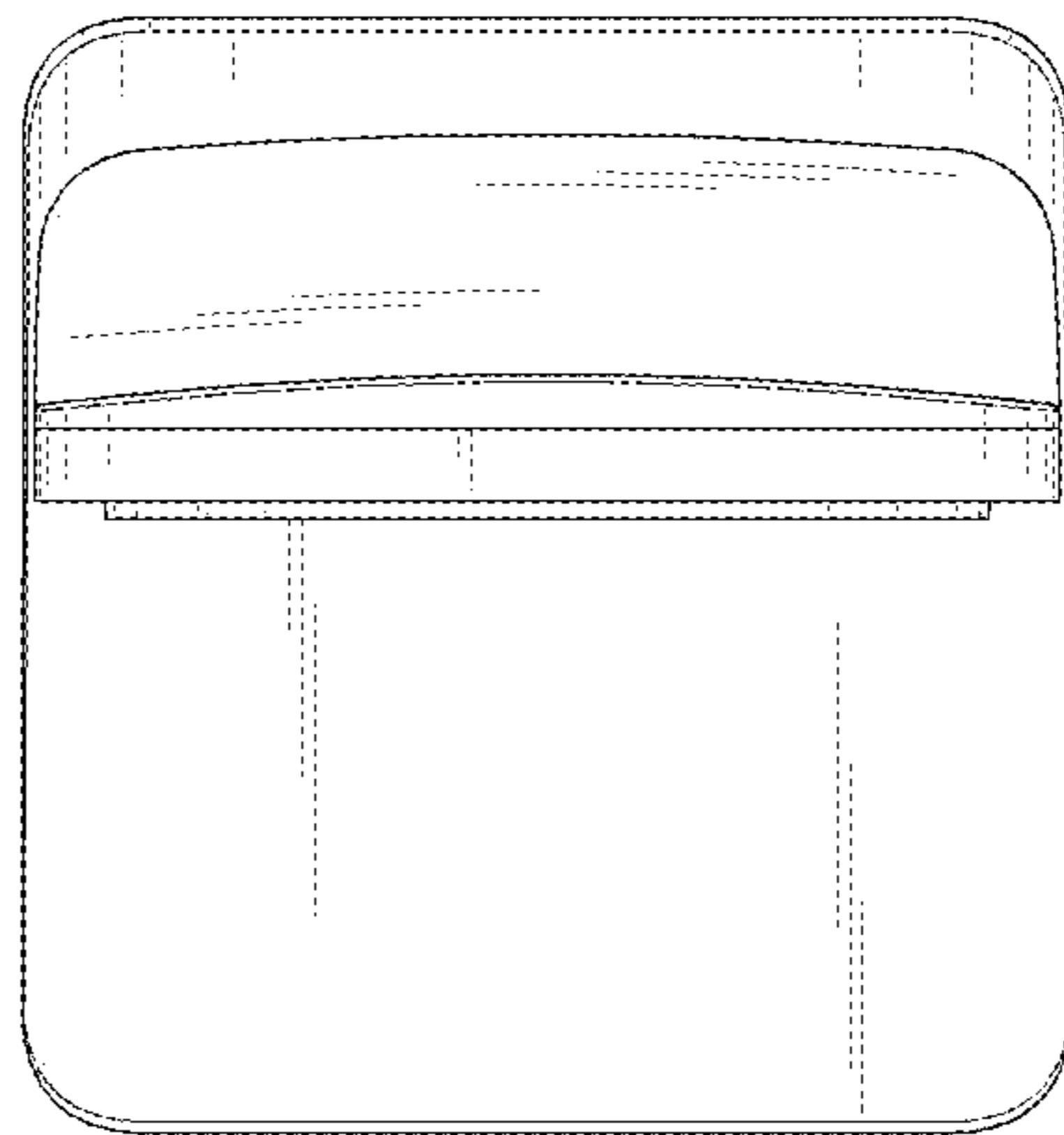


FIG. 7

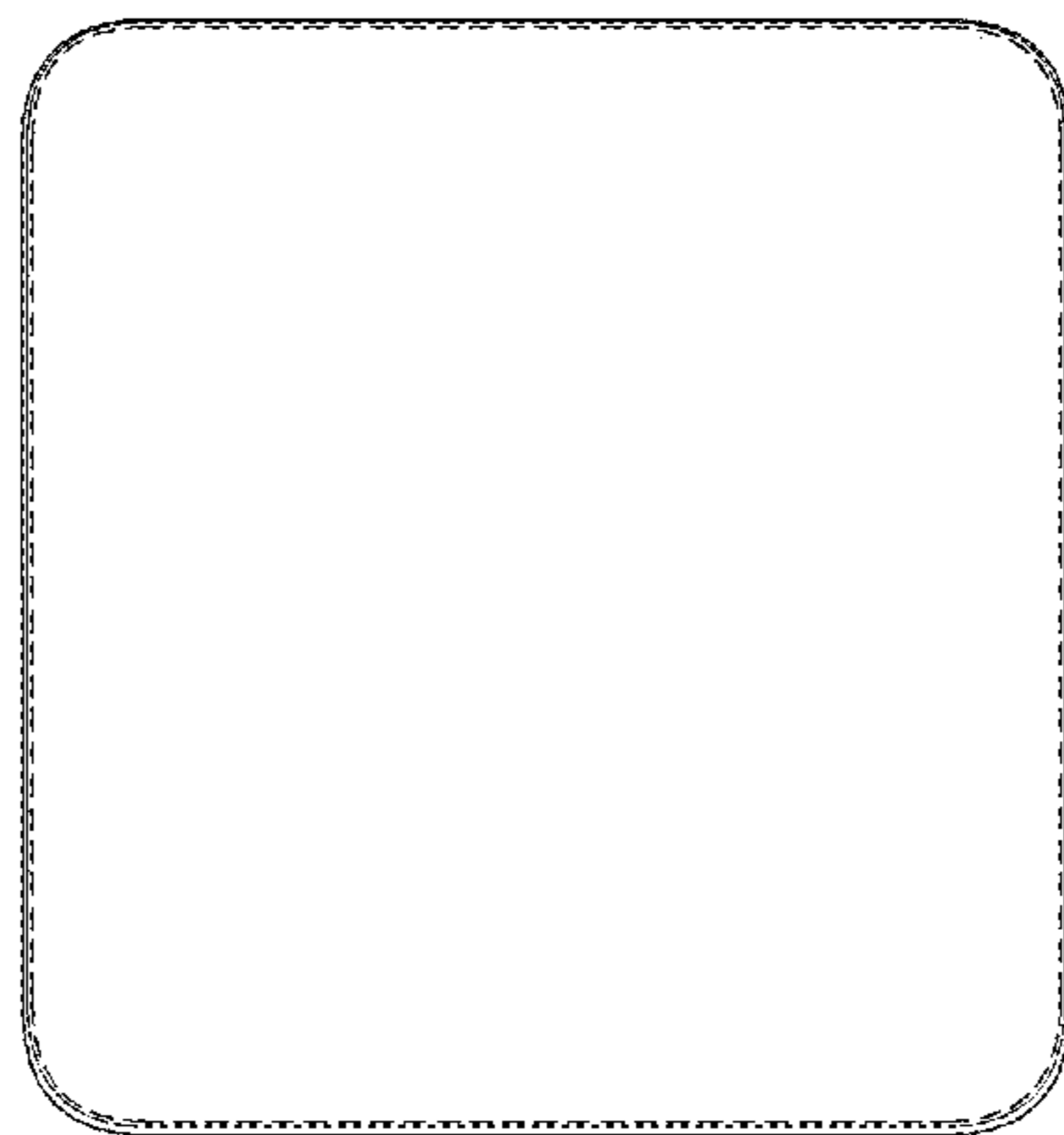


FIG. 8

