



US00D952774S

(12) **United States Design Patent** (10) **Patent No.:** **US D952,774 S**  
**Lan** (45) **Date of Patent:** **\*\* May 24, 2022**

- (54) **EXERCISE STOOL**
- (71) Applicant: **WeMesh, LLC**, West Hollywood, CA (US)
- (72) Inventor: **Lou Lan**, West Hollywood, CA (US)
- (73) Assignee: **WeMesh, LLC**, West Hollywood, CA (US)
- (\*\*) Term: **15 Years**
- (21) Appl. No.: **29/682,930**
- (22) Filed: **Mar. 8, 2019**
- (51) **LOC (13) Cl.** ..... **21-02**
- (52) **U.S. Cl.**  
USPC ..... **D21/686**
- (58) **Field of Classification Search**  
USPC ..... D21/686; D6/349, 350, 352, 353, 355, D6/595, 596, 601, 604; D25/65  
CPC ..... A47C 9/002; A63B 21/00047; A63B 5/00  
See application file for complete search history.

- D257,439 S 10/1980 Horii
  - D276,861 S 12/1984 Keddie
  - D297,080 S 8/1988 Hemberg
  - 4,763,580 A 8/1988 Garland
  - 4,810,031 A 3/1989 Patterson
- (Continued)

**FOREIGN PATENT DOCUMENTS**

- CN 202354956 U 8/2012
- CN 201530086575.5 4/2015
- DE 4414096 9/1994

**OTHER PUBLICATIONS**

Meshyoga, "DaBo", Jun. 15, 2020. <https://meshyoga.com/collections/dabo/products/premium-dabo?variant=undefined>. Shown on p. 1. (Year: 2020).\*

*Primary Examiner* — Cynthia Ramirez  
*Assistant Examiner* — Michael A Maharajh  
(74) *Attorney, Agent, or Firm* — Amster, Rothstein & Ebenstein LLP

(56) **References Cited**  
U.S. PATENT DOCUMENTS

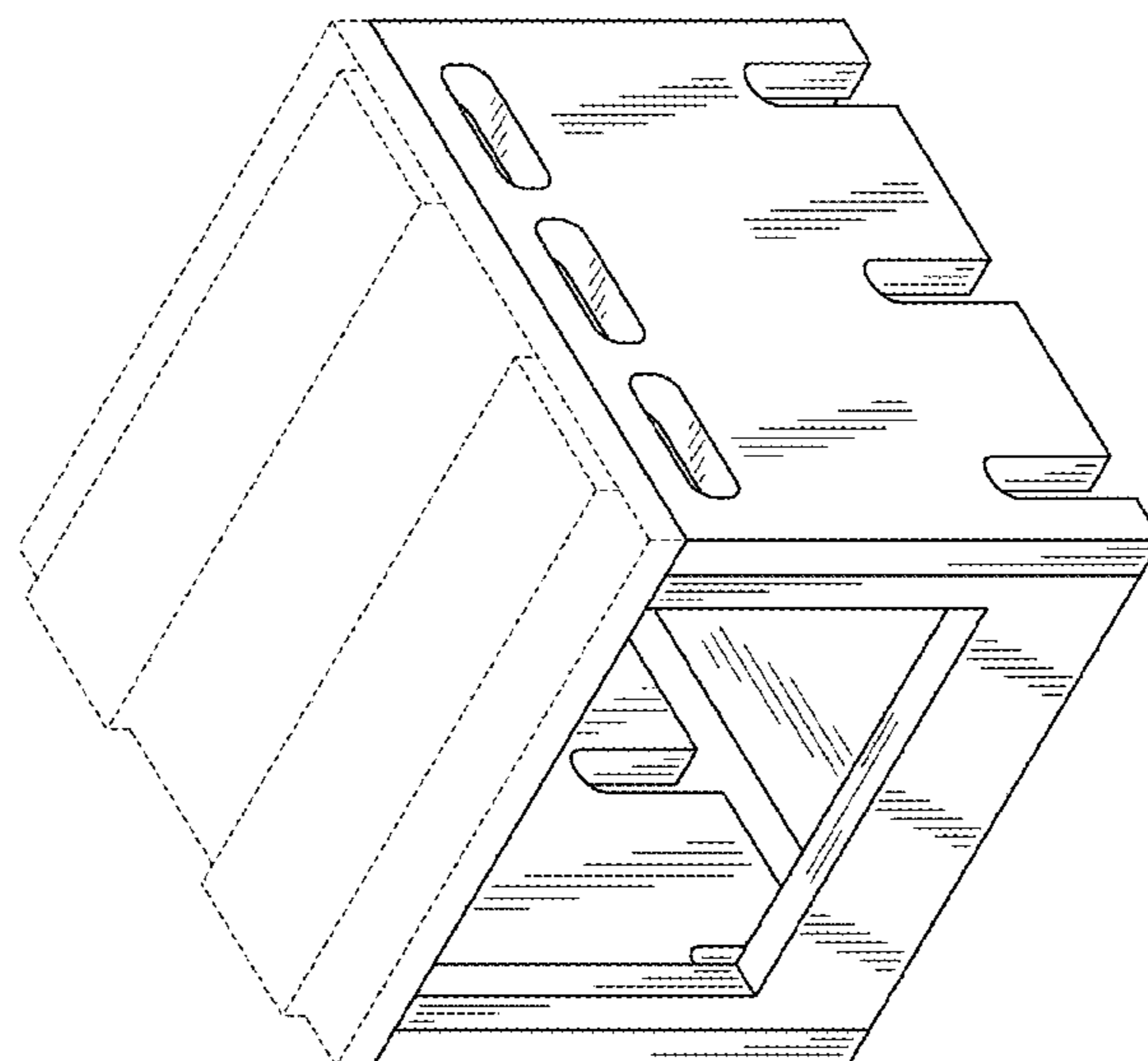
- 1,429,651 A 9/1922 Slaght
- 2,108,241 A 2/1938 Wallace
- D131,473 S 3/1942 Thelander
- 2,327,288 A 8/1943 Post
- D151,983 S 12/1948 Guertin
- 2,509,395 A 5/1950 Madan
- 2,532,863 A 12/1950 Taylor
- 2,577,741 A 12/1951 Creveling et al.
- 2,607,946 A 8/1952 Price
- 2,725,923 A 12/1955 Bachrach
- 2,776,700 A 1/1957 Potter
- 2,877,830 A 3/1959 Smith
- 3,077,347 A 2/1963 Nova
- 3,099,398 A 7/1963 Croteau
- 3,890,004 A 6/1975 Rail
- 3,982,784 A 9/1976 Esser
- 4,133,524 A 1/1979 Barlew
- D251,321 S 3/1979 Barlew

(57) **CLAIM**  
The ornamental design for an exercise stool, as shown and described.

**DESCRIPTION**

FIG. 1 is a front perspective view of an exercise stool showing my new design;  
FIG. 2 is a top view thereof;  
FIG. 3 is a bottom view thereof;  
FIG. 4 is a side view thereof, the opposite side view being identical thereof;  
FIG. 5 is a rear view thereof; and,  
FIG. 6 is a front view thereof.  
The broken lines shown in the drawings are for the purpose of illustrating portions of the exercise stool, which form no part of the claimed design.

**1 Claim, 6 Drawing Sheets**



(56)

References Cited

U.S. PATENT DOCUMENTS

4,950,033	A	8/1990	Anderson				
D314,472	S *	2/1991	Brantingham	.....	D3/274		
5,176,596	A	1/1993	Ullman				
5,186,703	A	2/1993	Huang				
D351,508	S	10/1994	Bonanzza				
D360,767	S *	8/1995	Fish	.....	D21/671		
5,615,619	A	4/1997	King				
5,692,335	A	12/1997	Magnuson				
5,697,870	A	12/1997	Osborn				
D396,566	S *	8/1998	Albrecht	.....	D6/349		
D407,569	S	4/1999	Underbrink et al.				
D415,359	S	10/1999	Boyd				
D420,396	S	2/2000	Vieslet				
6,155,641	A	12/2000	Frost				
D482,912	S	12/2003	Curotto, Jr.				
D485,093	S	1/2004	De Blois				
D490,616	S	6/2004	Ljahnicky et al.				
D493,618	S	8/2004	DeCarlo et al.				
D506,123	S	6/2005	English et al.				
7,097,241	B2	8/2006	Tally et al.				
D557,910	S *	12/2007	Saunders	.....	D6/350		
D558,473	S	1/2008	Mendenhall				
7,488,282	B2	2/2009	Leavitt				
D587,475	S	3/2009	Ren				
D609,927	S *	2/2010	Floer	.....	D6/350		
D610,818	S	3/2010	Crane				
D612,162	S *	3/2010	Kapasi	.....	D6/349		
D615,667	S *	5/2010	Dunn	.....	D25/65		
7,814,581	B1	10/2010	Willner				
D627,013	S	11/2010	Nys				
7,922,624	B1	4/2011	Fairhurst				
D639,080	S *	6/2011	van der Lande	.....	D6/353		
D639,876	S *	6/2011	Tsou	.....	D21/662		
D644,032	S *	8/2011	Eveleth	.....	D6/353		
7,997,216	B2	8/2011	Thornbury et al.				
D675,267	S *	1/2013	Jamison, Jr.	.....	D21/686		
D681,750	S *	5/2013	Meyer-Hayoz	.....	D21/686		
D681,751	S *	5/2013	Meyer-Hayoz	.....	D21/686		
D684,215	S	6/2013	Markowitz				
D688,050	S	8/2013	Gologorsky				
D695,366	S *	12/2013	Brustein	.....	D21/671		
D699,043	S	2/2014	McNae				
D701,582	S	3/2014	Sterios				
D707,975	S *	7/2014	Habraken	.....	D6/353		
D710,031	S	7/2014	Simpson				
D710,622	S	8/2014	Nigro				
D733,230	S	6/2015	Mallory				
D736,531	S *	8/2015	Lan	.....	D6/349		
D751,309	S *	3/2016	Habraken	.....	D25/65		
D789,107	S *	6/2017	Thibault	.....	D25/65		
D804,203	S *	12/2017	Beldramme	.....	D6/349		
D805,311	S *	12/2017	Mandon	.....	D6/349		
D806,187	S *	12/2017	East	.....	D21/686		
D811,104	S *	2/2018	Schachter	.....	D6/349		
D813,961	S *	3/2018	Ness	.....	D21/686		
D828,049	S *	9/2018	Khubani	.....	D6/353		
D837,313	S *	1/2019	Lyons	.....	D21/686		
D839,009	S *	1/2019	Garbus	.....	D6/349		
D866,208	S *	11/2019	Chan	.....	D6/349		
D869,868	S *	12/2019	Zhang	.....	D6/349		
2002/0055427	A1	5/2002	Jennings				
2002/0177509	A1	11/2002	Rogers et al.				
2003/0199375	A1	10/2003	Edwards				
2004/0192523	A1	9/2004	Wu				
2007/0161476	A1	7/2007	Davies				
2008/0113854	A1	5/2008	Ferri				
2009/0062093	A1	3/2009	Clark				
2010/0240509	A1	9/2010	Chen				
2012/0214653	A1	8/2012	Tsou				
2012/0329623	A1	12/2012	Ramirez				
2013/0324382	A1	12/2013	Wilson				
2015/0231437	A1	8/2015	Welsh				
2016/0143444	A1 *	5/2016	Lan	.....	A47C 9/002 297/183.9		
2016/0199689	A1 *	7/2016	Irwin	.....	B32B 21/14 482/142		
2018/0256940	A1 *	9/2018	Lyons	.....	A63B 26/003		
2019/0200770	A1 *	7/2019	Lan	.....	A47C 7/628		

\* cited by examiner

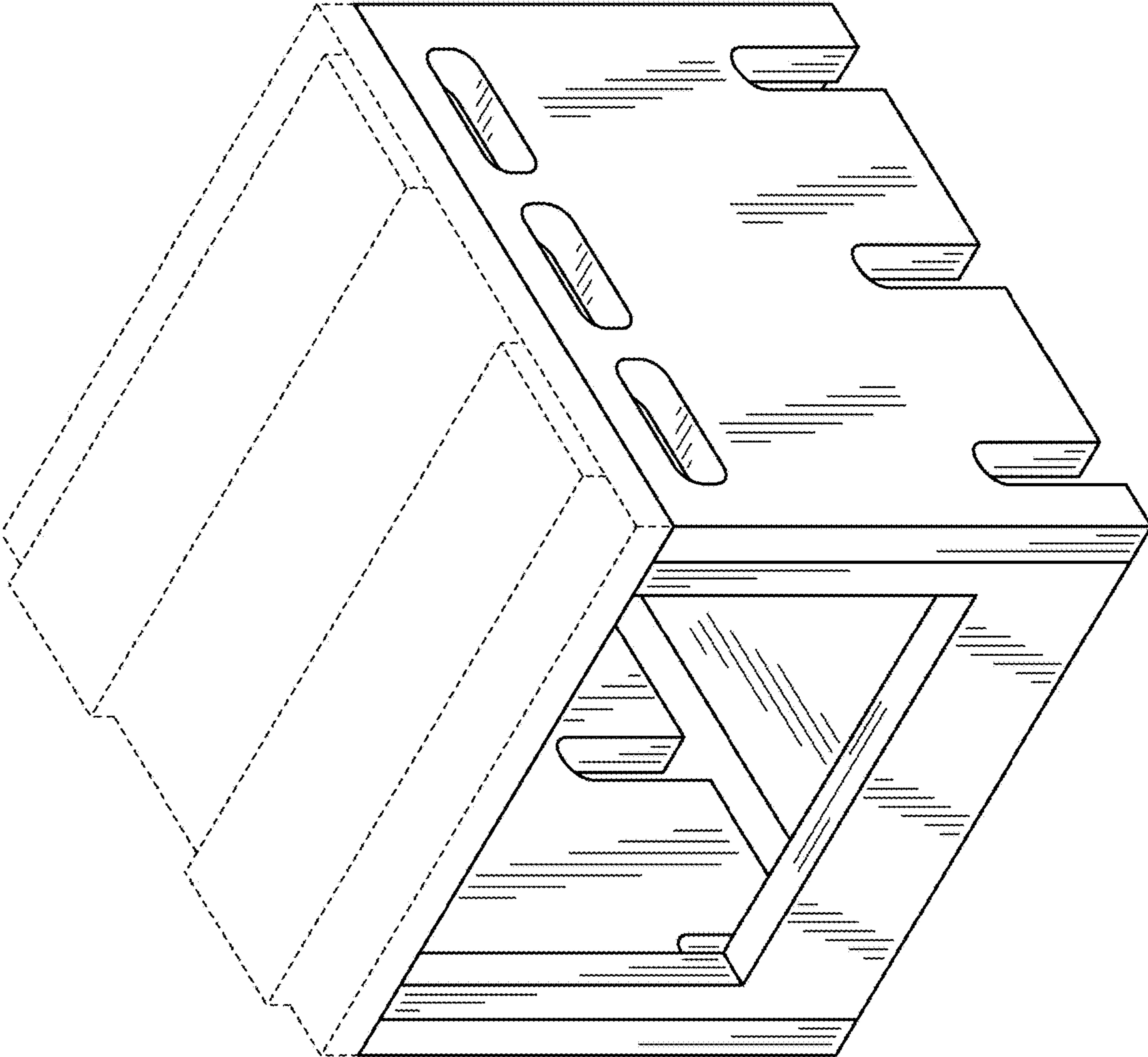


FIG. 1

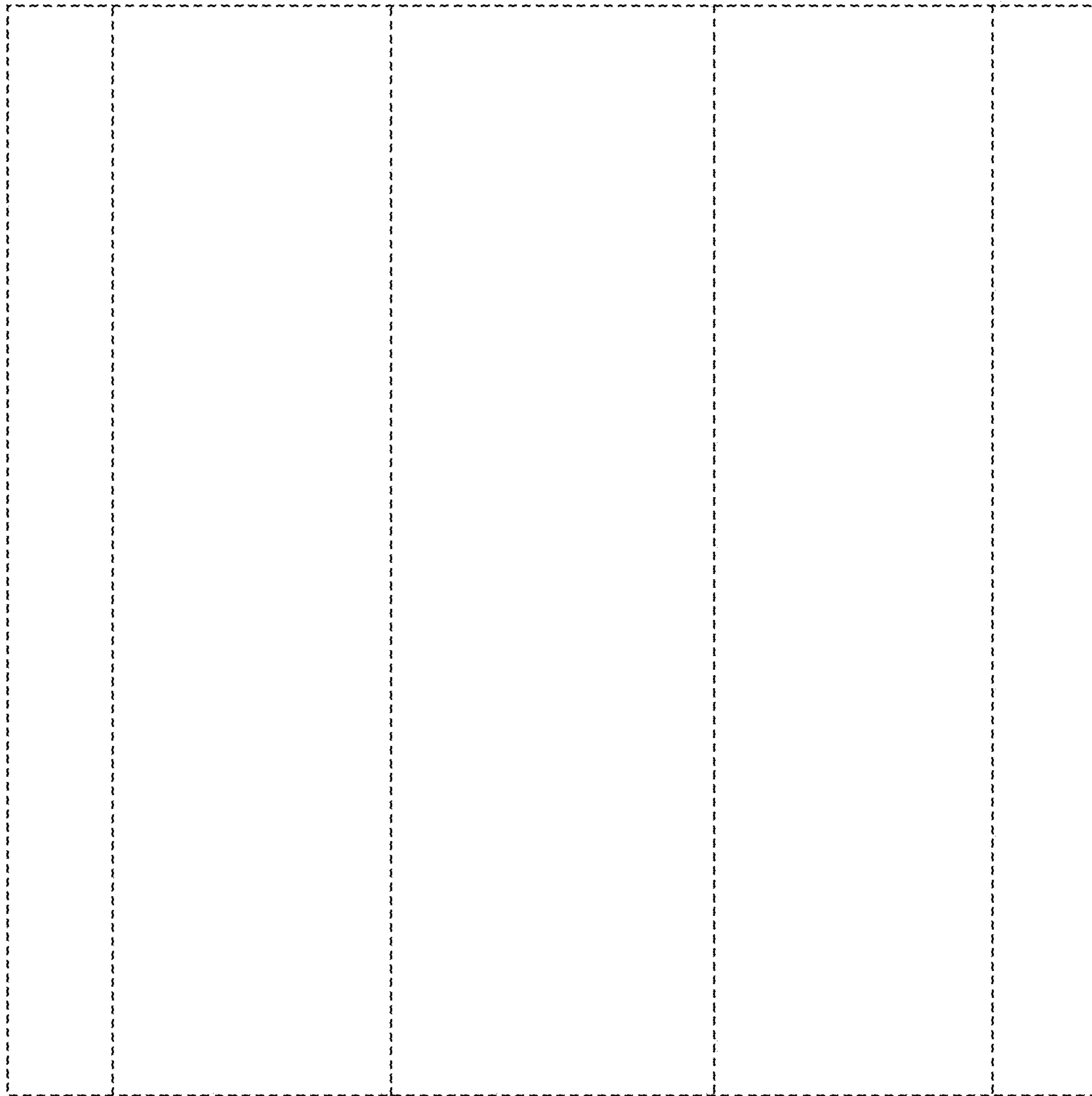


FIG. 2



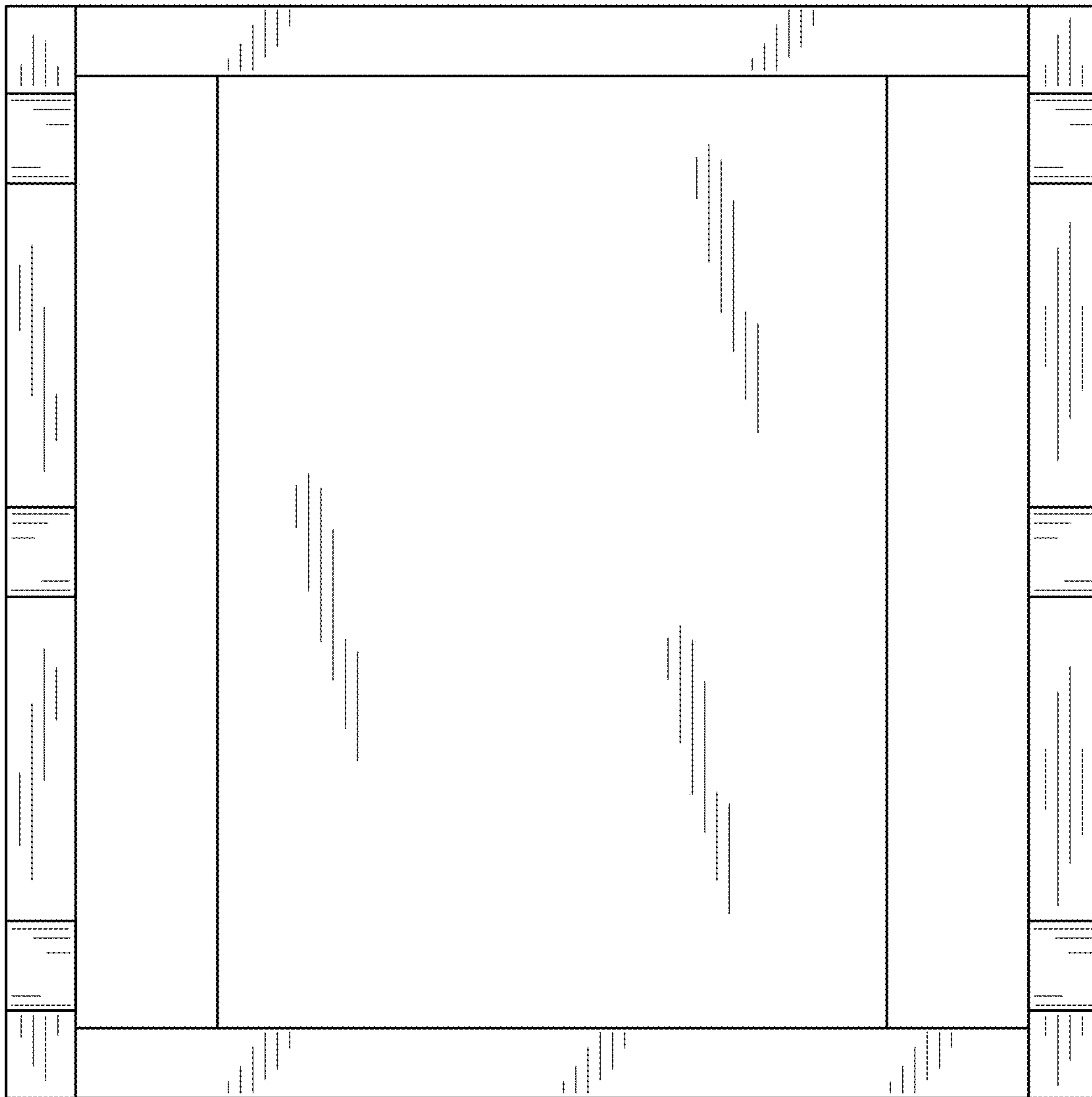


FIG. 3

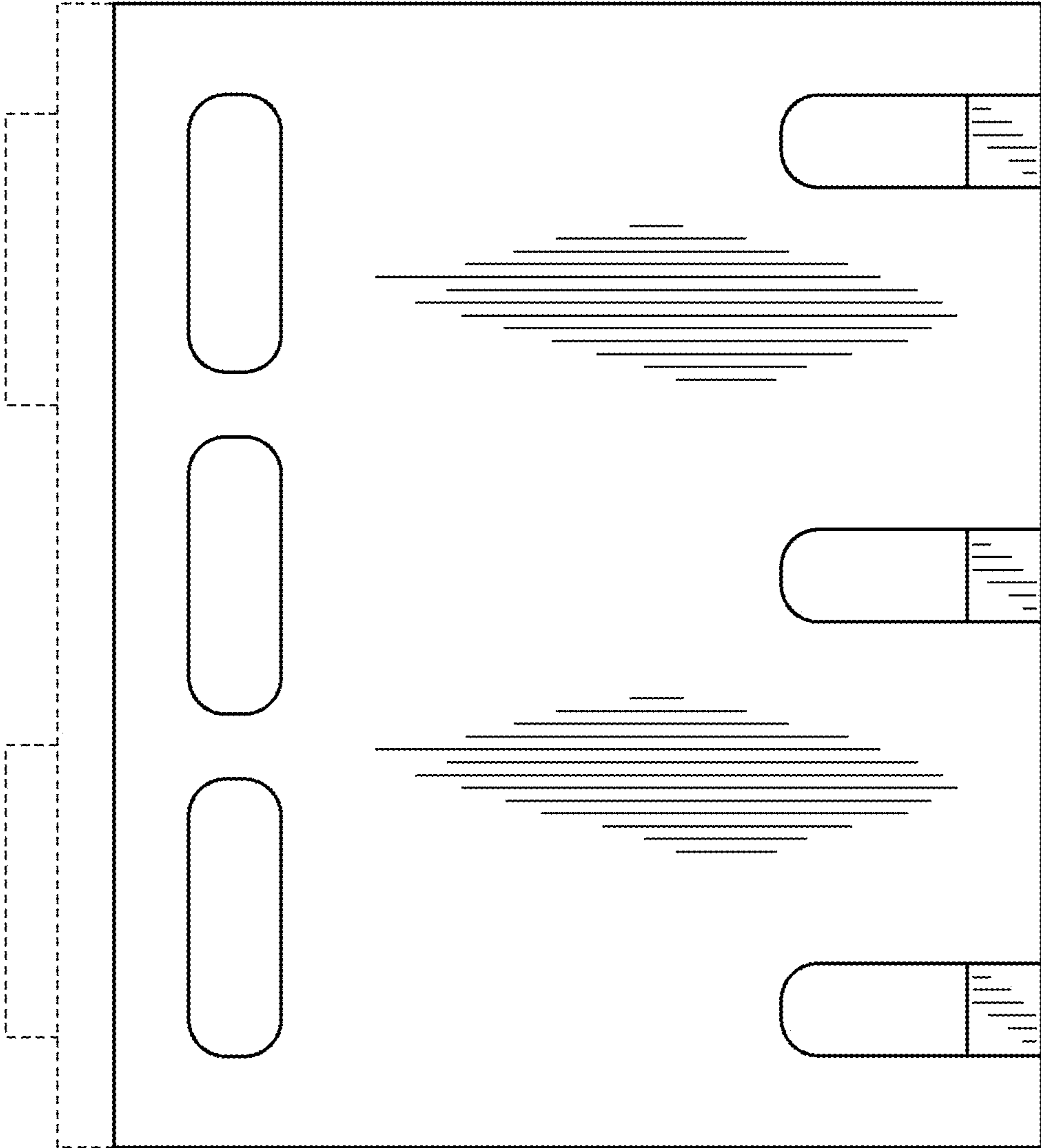


FIG. 4

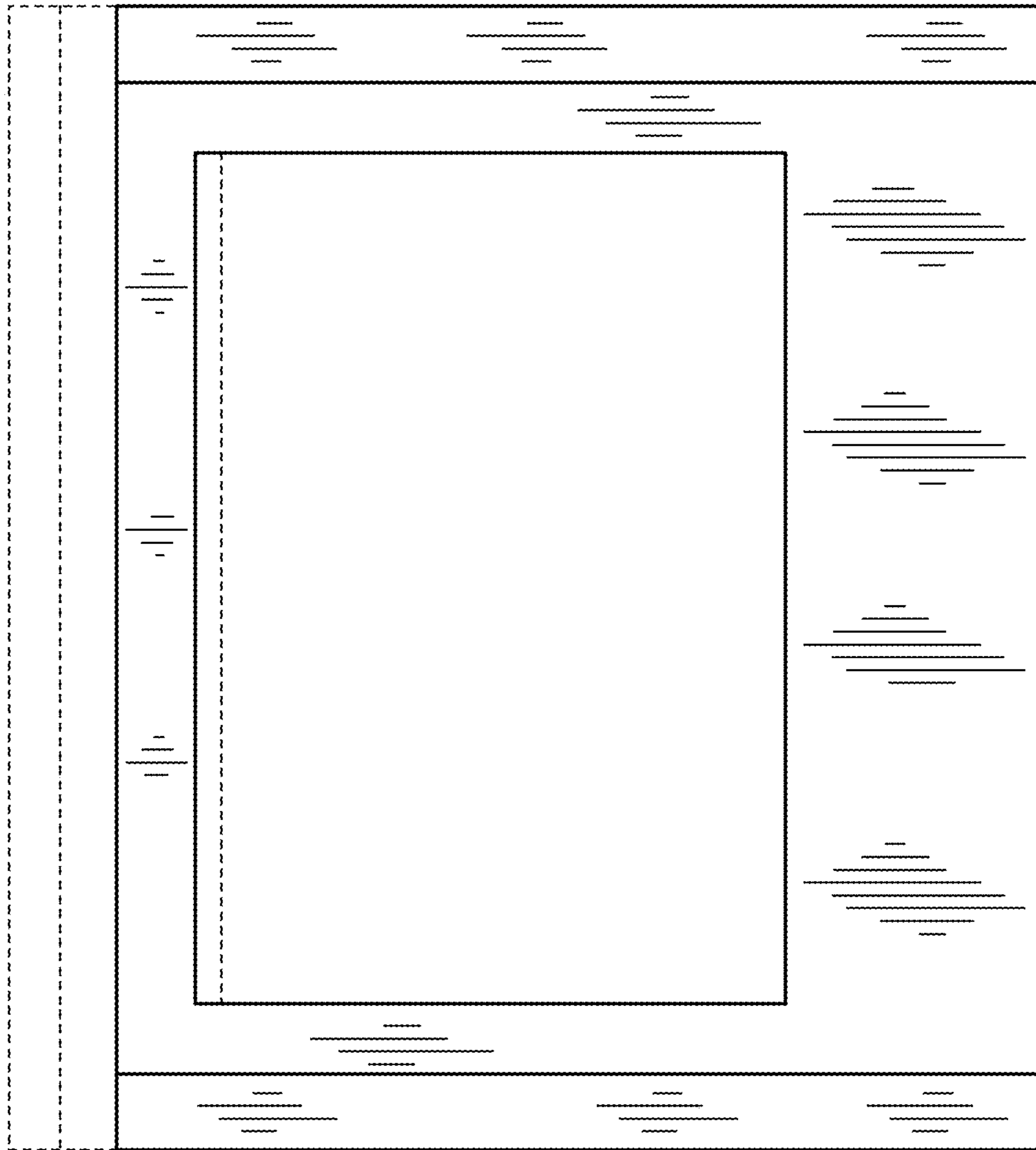


FIG. 5

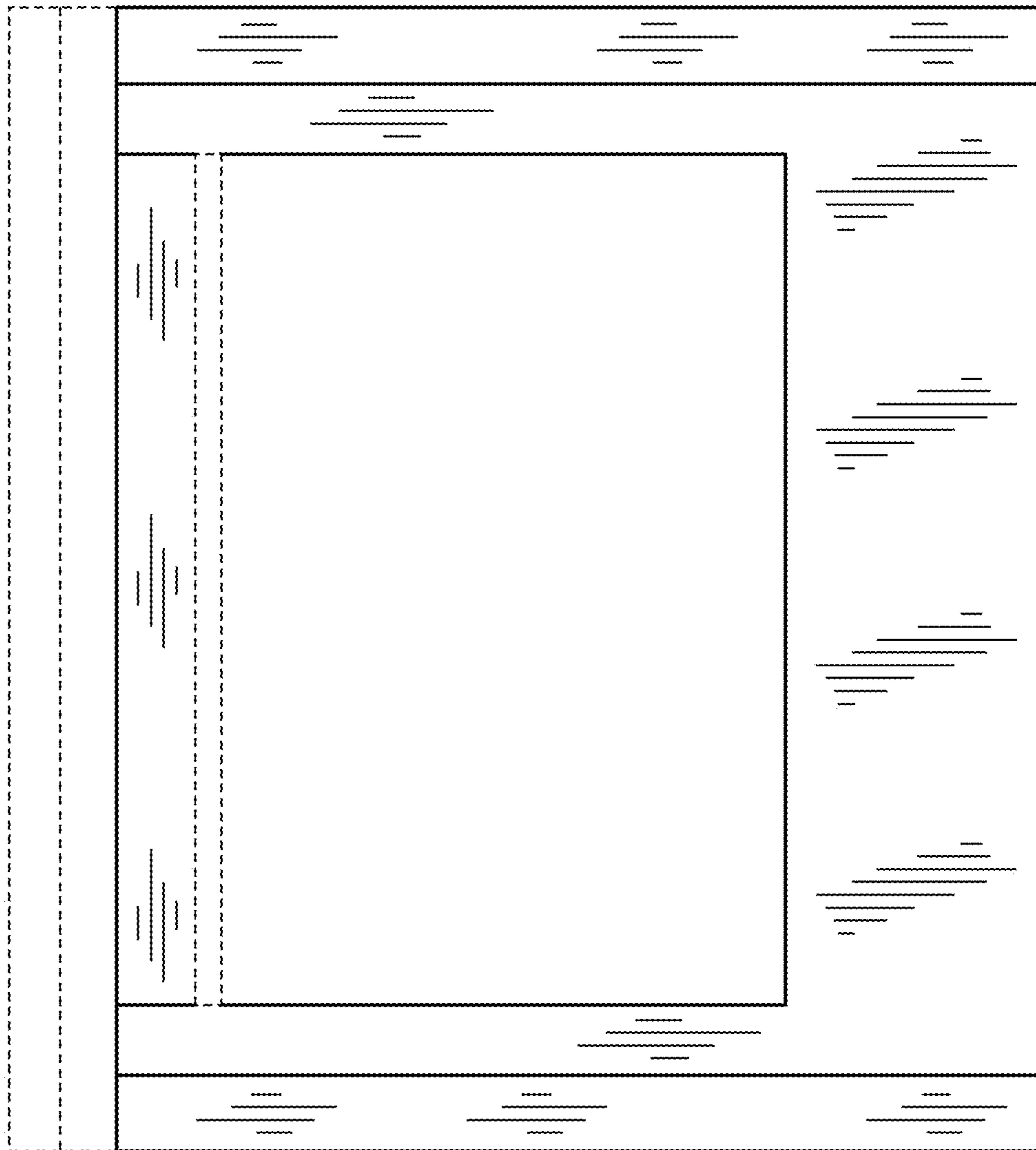


FIG. 6