



US00D952773S

(12) **United States Design Patent**
Chen

(10) **Patent No.:** **US D952,773 S**
(45) **Date of Patent:** **** May 24, 2022**

(54) **SILICONE WEIGHT BRACELET**

(71) Applicant: **Hongdan Chen**, Shenzhen (CN)

(72) Inventor: **Hongdan Chen**, Shenzhen (CN)

(**) Term: **15 Years**

(21) Appl. No.: **29/758,543**

(22) Filed: **Nov. 17, 2020**

(51) **LOC (13) Cl.** **21-02**

(52) **U.S. Cl.**
USPC **D21/683**

(58) **Field of Classification Search**
USPC D21/675, 683, 685, 680, 694, 662
See application file for complete search history.

(56) **References Cited**

U.S. PATENT DOCUMENTS

D270,652 S *	9/1983	Winston	D2/637
D339,838 S *	9/1993	Winston	D21/683
D362,702 S *	9/1995	Winston	D21/683
D526,691 S *	8/2006	Fu	D21/683
D657,832 S *	4/2012	Beber	D21/683
D875,261 S *	2/2020	Liu	D24/190
D888,167 S *	6/2020	Kislevitz	D21/683
D934,099 S *	10/2021	Qin	D11/3
2013/0237391 A1 *	9/2013	Haley	A63B 21/0004 482/105
2019/0302837 A1 *	10/2019	Liao	A44C 5/0007
2020/0253340 A1 *	8/2020	Valenti	A61C 19/00

OTHER PUBLICATIONS

ERL, announced Jul. 14, 2020 [online], [site visited Dec. 28, 2021]. Available on internet, URL: <https://www.amazon.com/ERL-Adjustable-Weights-Removable-Gymnastic/dp/B08CY3BGLR/ref> (Year: 2020).
Generic, announced Jan. 28, 2019 [online]. [site visited Dec. 28, 2021]. Available on internet, URL: <https://www.amazon.com/Xtend-Barre-Pair-Ankle-Weights/dp/B07N6NQQ3S/ref> (Year: 2019).*

* cited by examiner

Primary Examiner — Khawaja Anwar
Assistant Examiner — Julice Seung Eun Oum

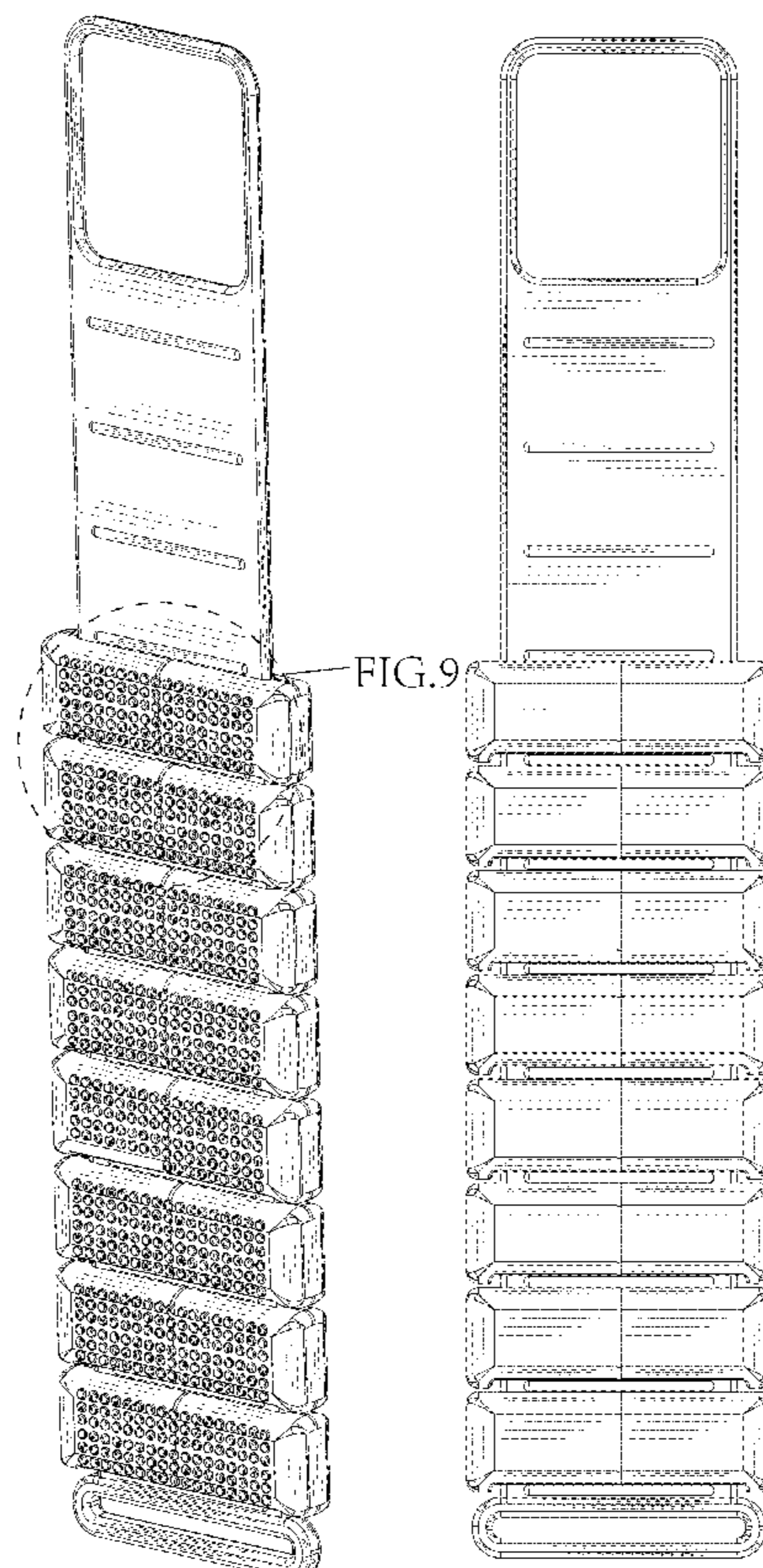
(57) **CLAIM**

The ornamental design for a silicone weight bracelet, as shown and described.

DESCRIPTION

FIG. 1 is a perspective view of a silicone weight bracelet showing my new design;
FIG. 2 is a front elevational view thereof;
FIG. 3 is a rear elevational view thereof;
FIG. 4 is a left side elevational view thereof;
FIG. 5 is a right side elevational view thereof;
FIG. 6 is a top plan view thereof;
FIG. 7 is a bottom plan view thereof;
FIG. 8 is another perspective view thereof; and,
FIG. 9 is an enlarged perspective view thereof.

1 Claim, 9 Drawing Sheets



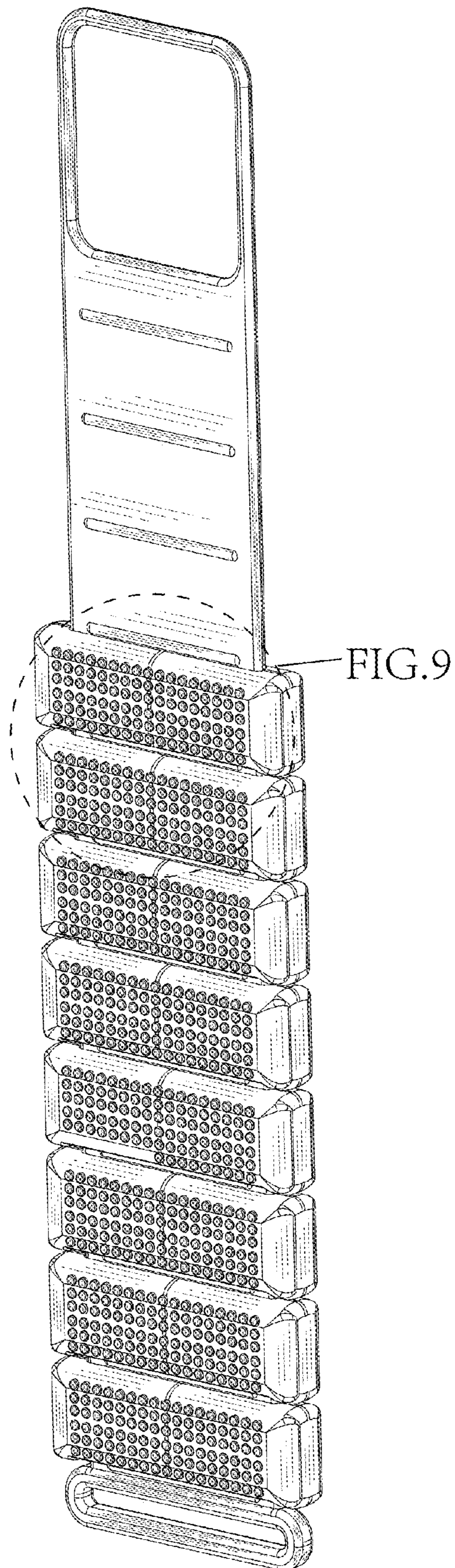


FIG. 1

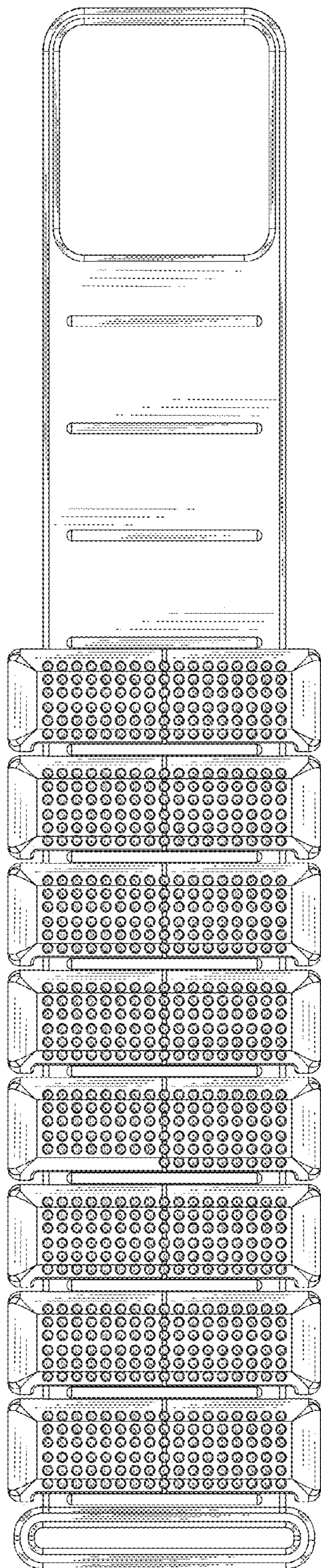


FIG.2

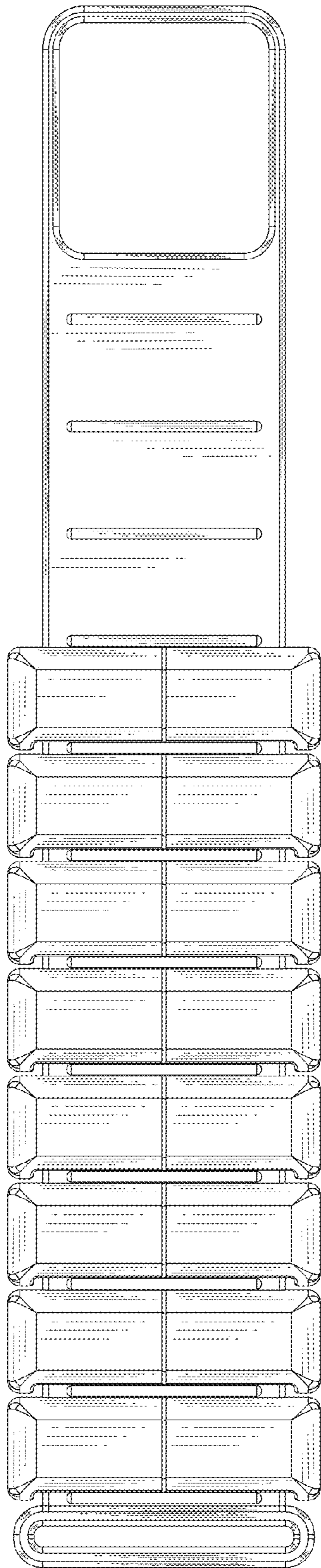


FIG.3

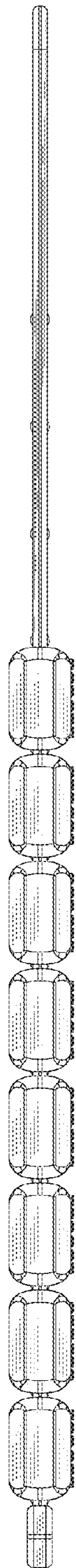


FIG.4

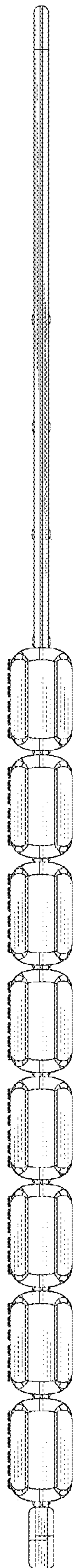


FIG.5

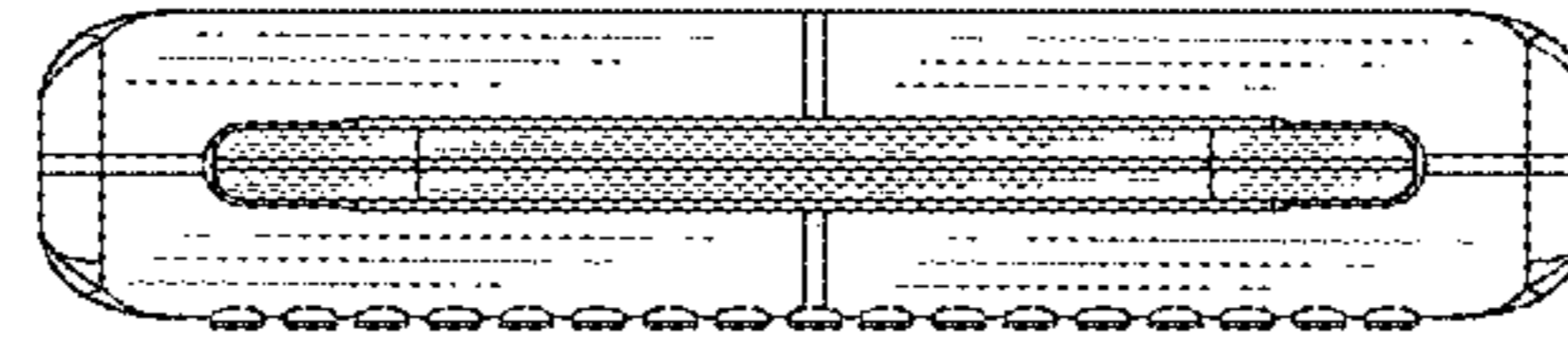


FIG.6

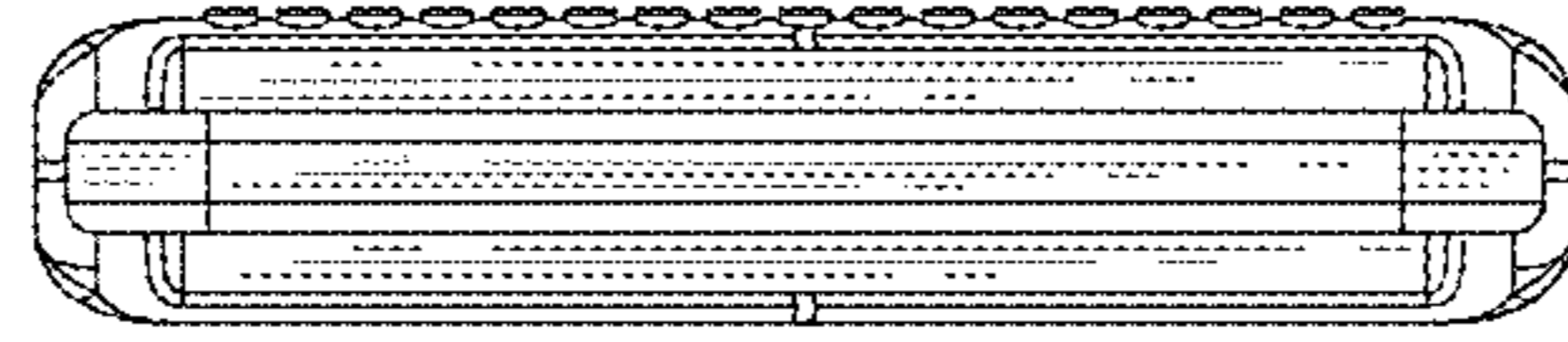


FIG.7

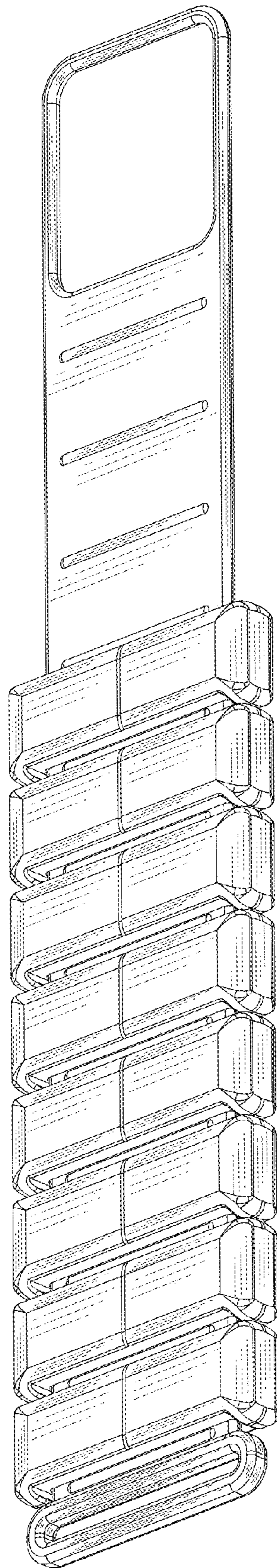


FIG.8

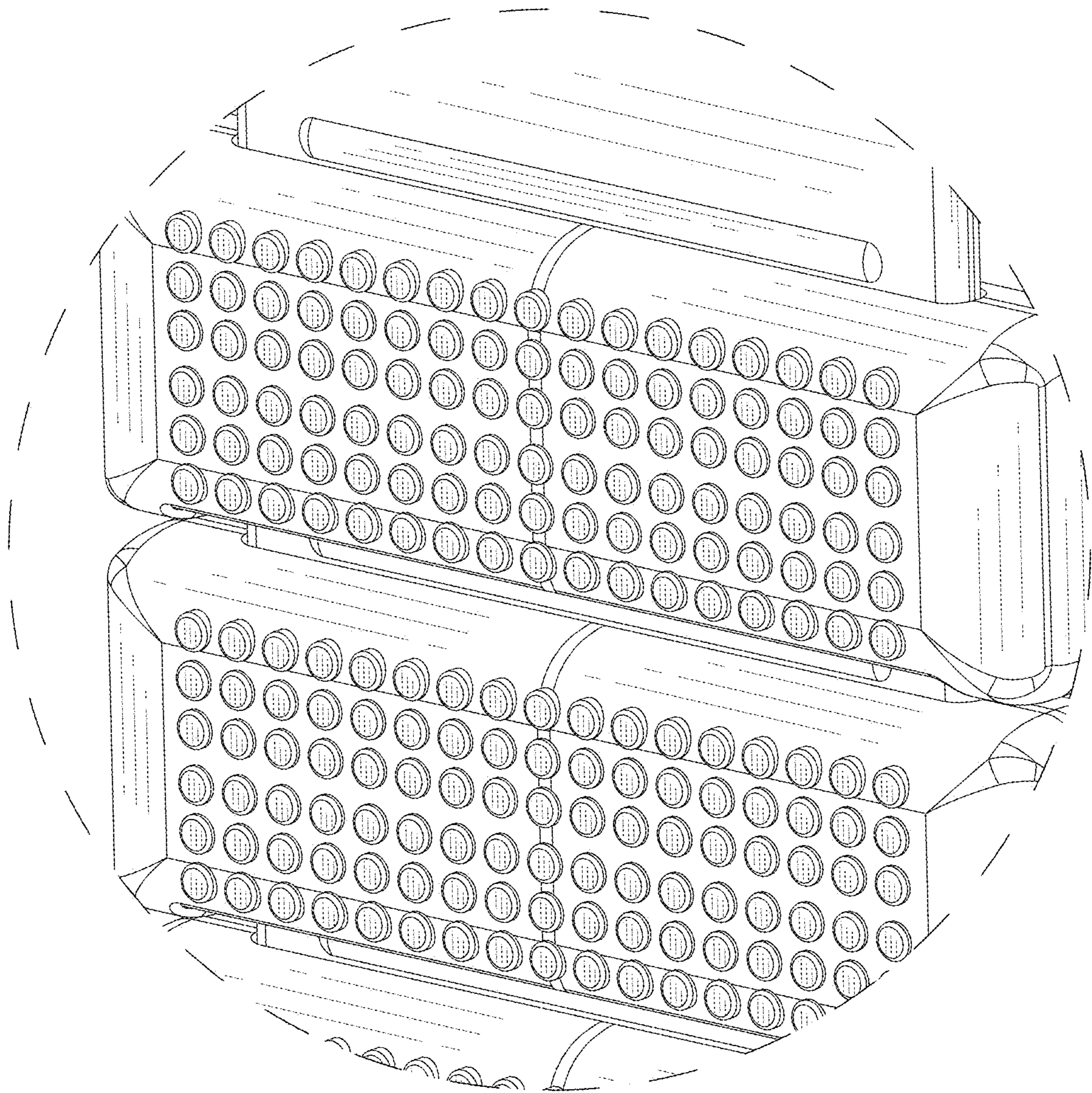


FIG.9