



US00D952772S

(12) **United States Design Patent** (10) **Patent No.:** **US D952,772 S**  
**Wang** (45) **Date of Patent:** **\*\* May 24, 2022**

(54) **ADJUSTABLE DUMBBELL**

(71) Applicant: **Danni Wang**, Ningbo (CN)

(72) Inventor: **Danni Wang**, Ningbo (CN)

(\*\*) Term: **15 Years**

(21) Appl. No.: **29/780,000**

(22) Filed: **Apr. 22, 2021**

(51) **LOC (13) Cl.** ..... **21-02**

(52) **U.S. Cl.**  
USPC ..... **D21/681**

(58) **Field of Classification Search**  
USPC ..... D21/665, 675, 677, 679, 680, 681;  
D8/331

See application file for complete search history.

(56) **References Cited**

U.S. PATENT DOCUMENTS

1,991,520	A *	2/1935	Postl	.....	A63B 21/0728	482/108
4,431,185	A *	2/1984	Cisneros	.....	A63B 21/072	482/93
5,090,693	A *	2/1992	Liang	.....	A63B 21/0726	482/108
5,203,753	A *	4/1993	Rothhammer	.....	A63B 21/072	411/55
5,407,413	A *	4/1995	Kupferman	.....	A63B 21/0728	482/106
5,628,716	A *	5/1997	Brice	.....	A63B 21/0728	482/106
7,588,520	B2 *	9/2009	Nalley	.....	A63B 21/0728	482/103
D609,526	S *	2/2010	Tuttle	.....	D7/507	
D685,441	S *	7/2013	Januszek	.....	D21/681	
D685,442	S	7/2013	Childs			
8,574,136	B1 *	11/2013	Burstrom	.....	A63B 69/0057	482/109
D695,128	S *	12/2013	Ozsinmaz	.....	D9/668	

(Continued)

OTHER PUBLICATIONS

Wakauto, announced 2020[online], [site visited Jan. 3, 2022]. Available on internet, URL:https://www.amazon.com/Wakauto-Connecting-Anti-Slip-Wear-Resisting-Connector/dp/B088BZSC6S/ref (Year: 2020).\*

(Continued)

*Primary Examiner* — Khawaja Anwar

*Assistant Examiner* — Julice Seung Eun Oum

(74) *Attorney, Agent, or Firm* — Rumit Ranjit Kanakia

(57) **CLAIM**

I claim the ornamental design for an adjustable dumbbell, as shown and described.

**DESCRIPTION**

FIG. 1 is an exploded perspective view of an adjustable dumbbell showing my new design according to a first embodiment;

FIG. 2 is an exploded front view thereof;

FIG. 3 is an exploded back view thereof;

FIG. 4 is a right-side view thereof;

FIG. 5 is a left-side view thereof;

FIG. 6 is an exploded top view thereof;

FIG. 7 is an exploded bottom view thereof;

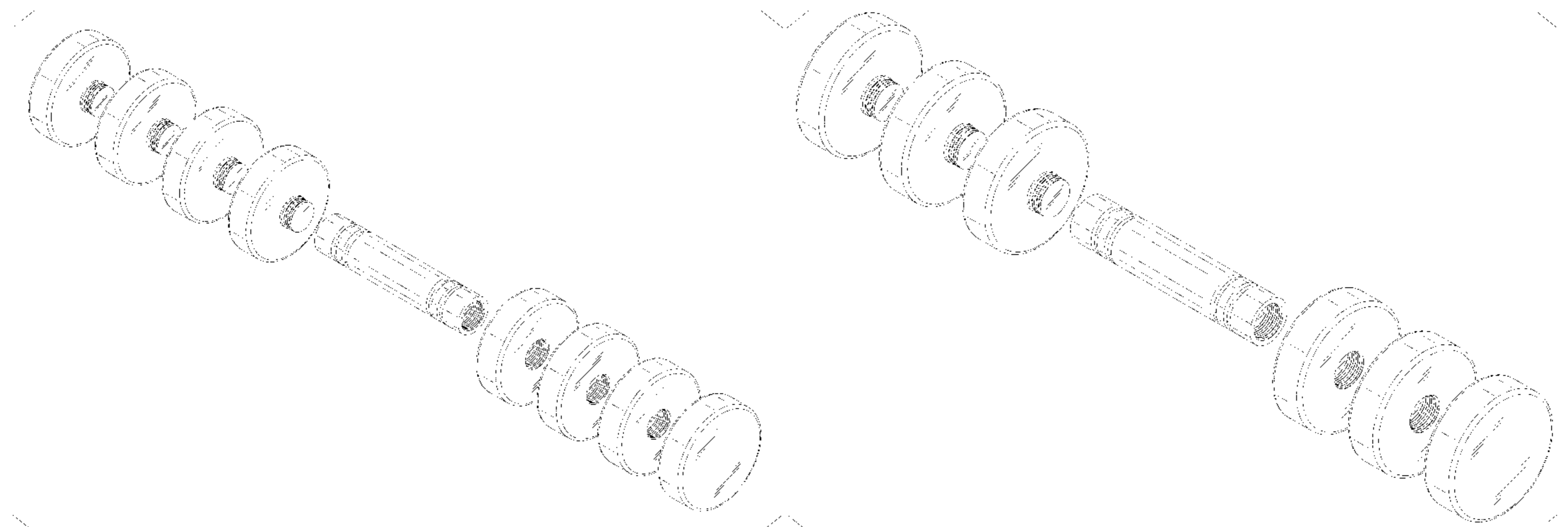
FIG. 8 is a perspective view thereof in an assembled position;

FIG. 9 is an exploded perspective view of an adjustable dumbbell showing my new design according to a second embodiment;

FIG. 10 is an exploded perspective view of an adjustable dumbbell showing my new design according to a third embodiment; and,

FIG. 11 is an exploded perspective view of an adjustable dumbbell showing my new design according to a fourth embodiment.

**1 Claim, 10 Drawing Sheets**



(56)

**References Cited**

## U.S. PATENT DOCUMENTS

D746,168 S \* 12/2015 Vaughan ..... D11/81  
9,283,423 B2 \* 3/2016 Dickerson ..... A63B 21/0724  
D802,064 S 11/2017 Hillson  
10,076,679 B2 \* 9/2018 Dickerson ..... A63B 21/4043  
D857,130 S 8/2019 Arceta  
D861,085 S 9/2019 Brezovar  
D896,324 S 9/2020 Yu  
2007/0197352 A1 \* 8/2007 Charniga ..... A63B 21/06  
482/93  
2008/0032874 A1 \* 2/2008 Towley ..... A63B 21/063  
482/106  
2021/0387040 A1 \* 12/2021 Diffley ..... B29C 48/0011  
2022/0062683 A1 \* 3/2022 Zhang ..... A63B 21/0722

## OTHER PUBLICATIONS

Funcode store, announced Mar. 21, 2021 [online]. [site visited Dec. 29, 2021]. Available online, URL:<https://www.amazon.com/Funcode-Adjustable-Dumbbell-Anti-Slip-Gym%EF%BC%8833lbs%EF%BC%89/dp/B08ZKD4W2J/ref> (Year: 2021).\*

Yes4all store, announced 2020[online]. [site visited Dec. 29, 2021]. Available online, URL:<https://www.amazon.com/Yes4All-1-inch-Weight-Plates-Dumbbells/dp/B00IHM834I/ref> (Year: 2020).\*

Rowland, announced 2019[online], [site visited Jan. 3, 2022]. Available on internet, URL:<https://www.amazon.com/Rowland-Harbor-Dumbbell-Connecting-Threaded/dp/B07X2VCL41/ref> (Year: 2019).\*

\* cited by examiner

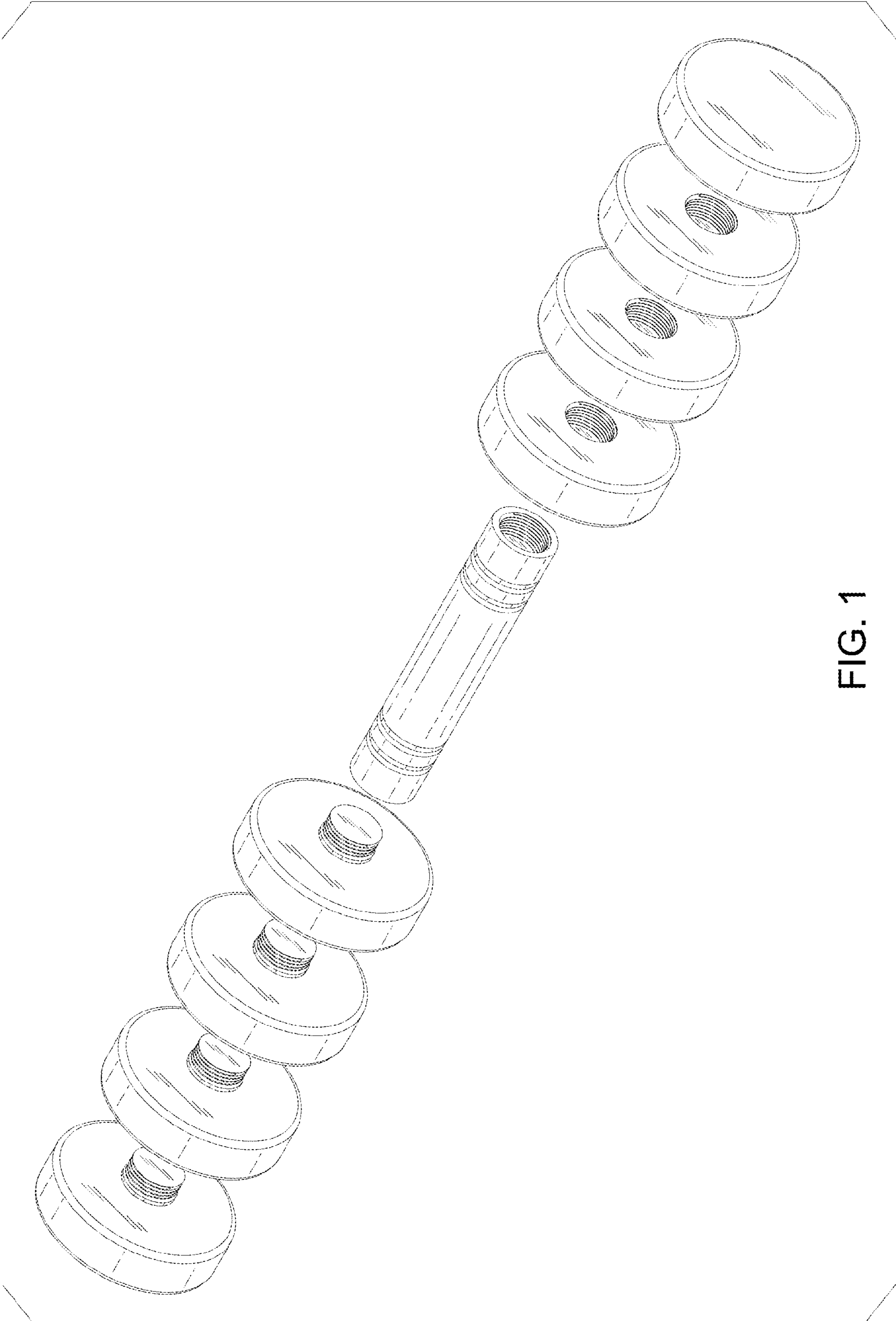


FIG. 1

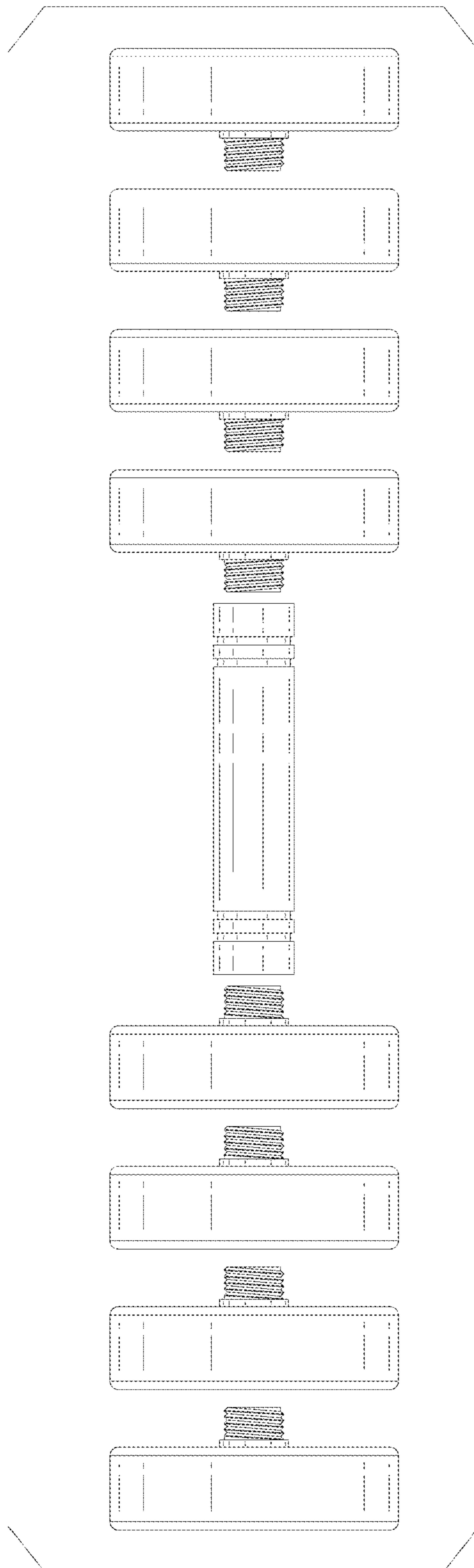


FIG. 2

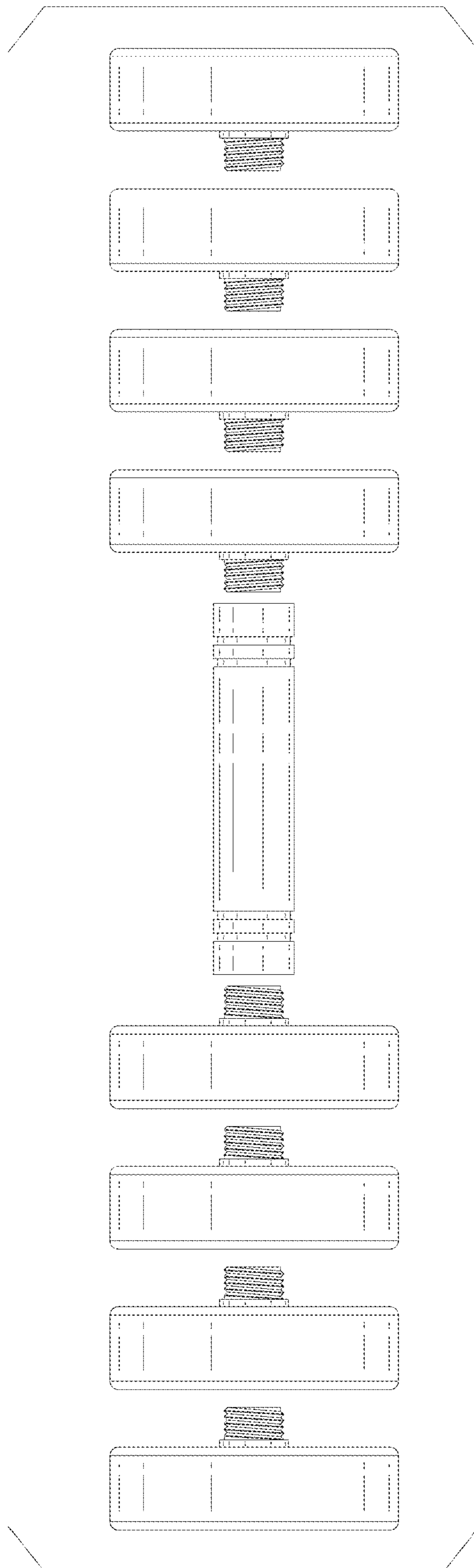


FIG. 3

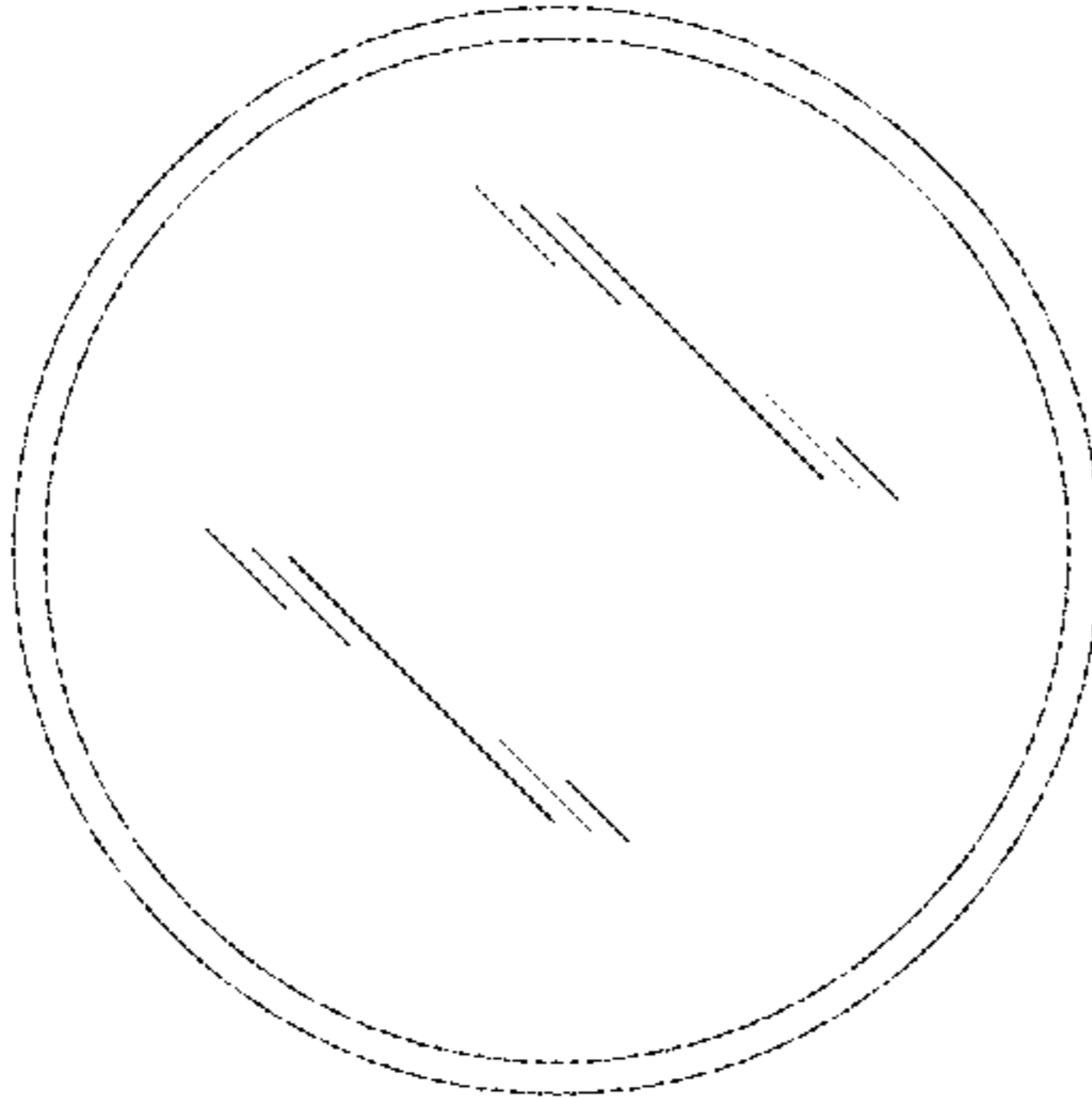


FIG. 4

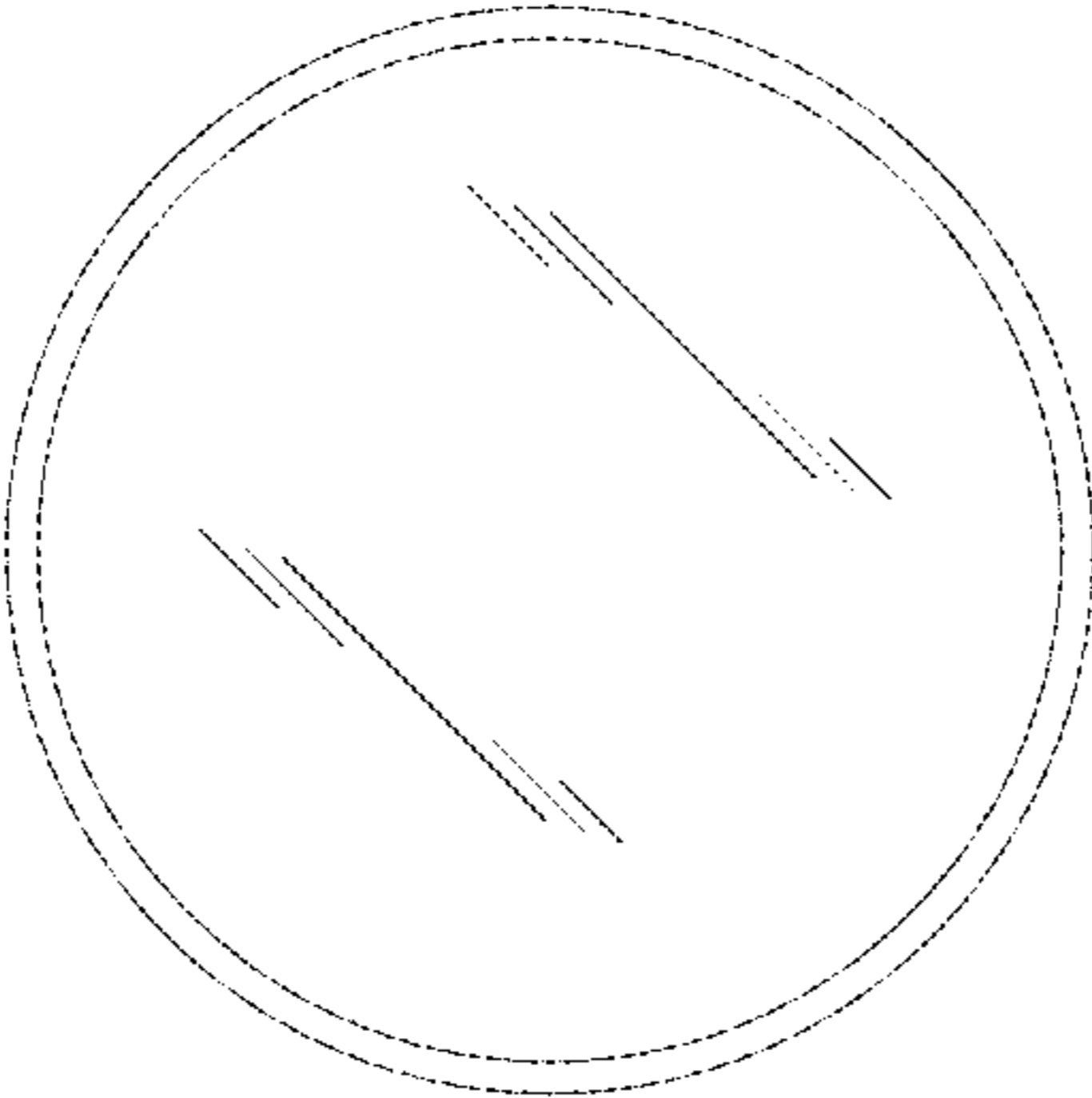


FIG. 5

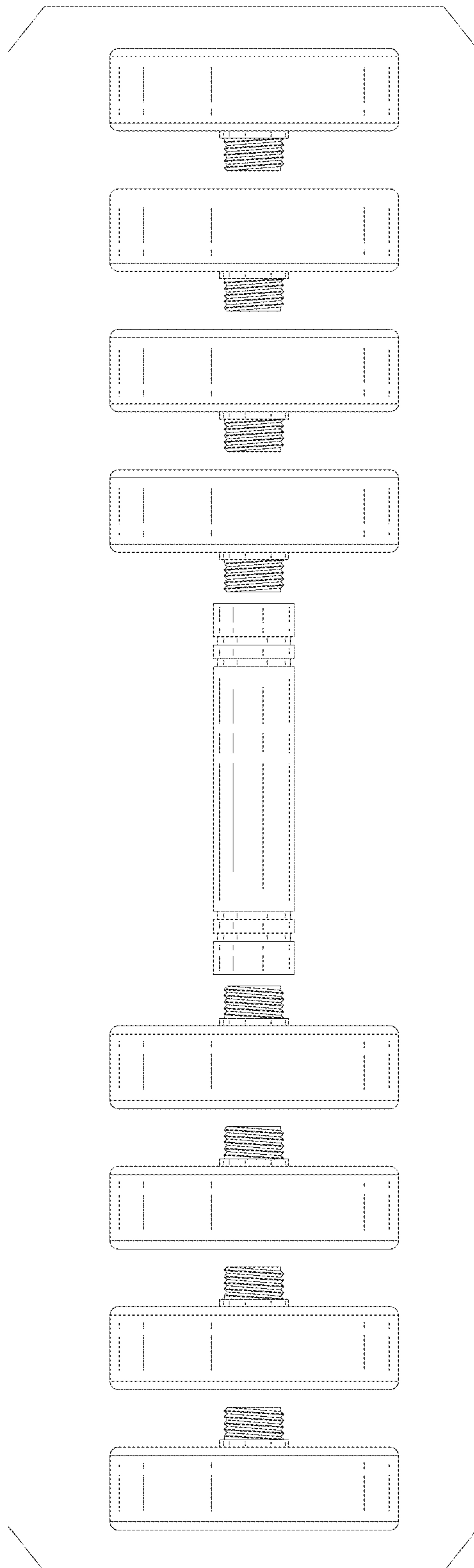


FIG. 6

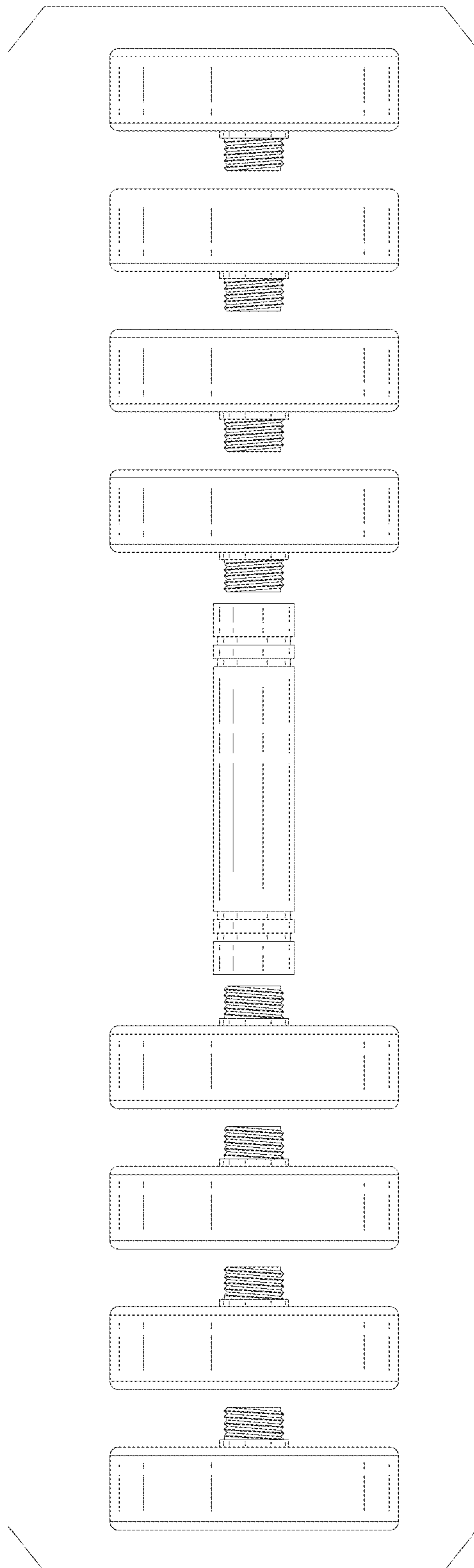


FIG. 7



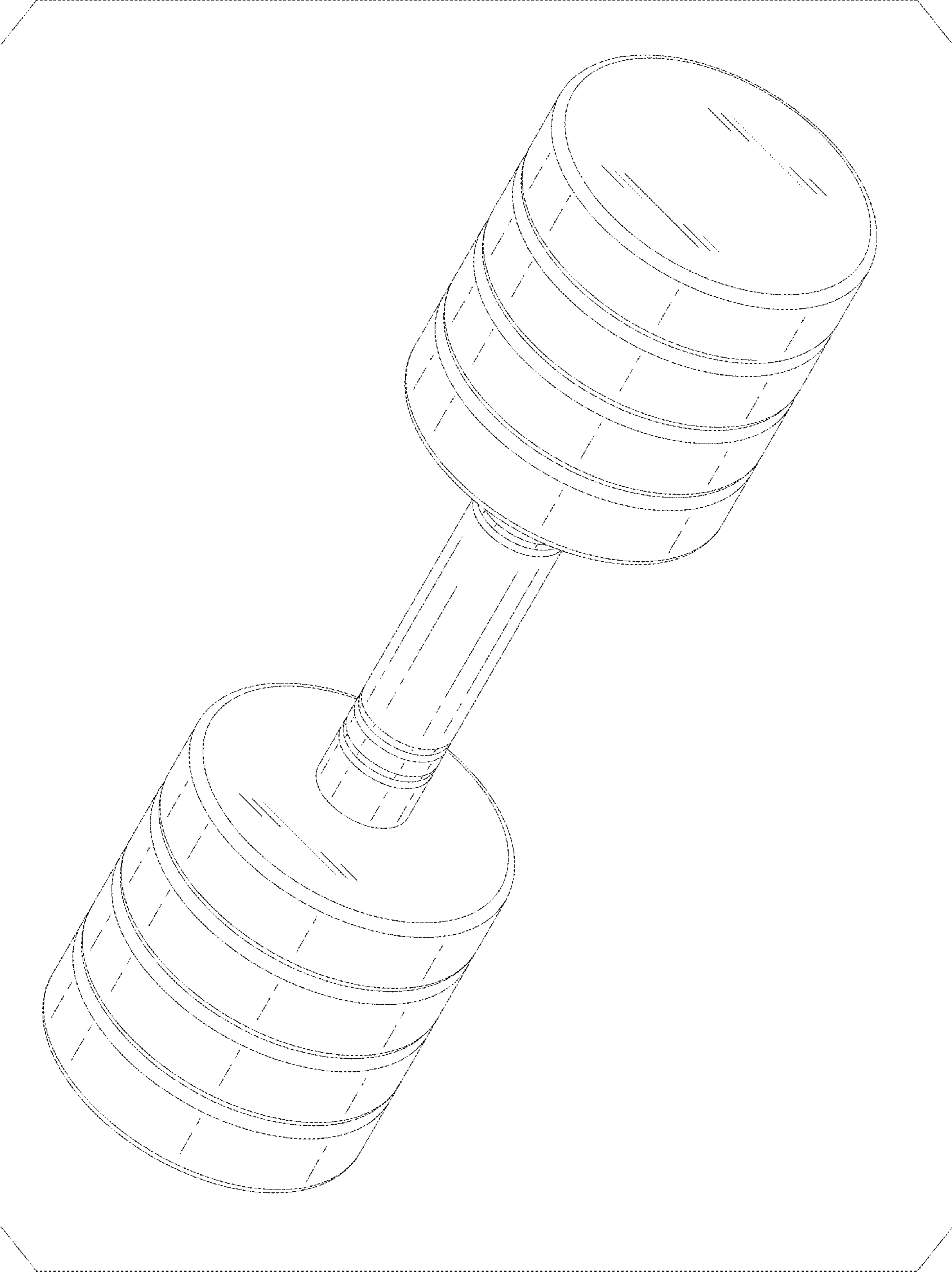


FIG. 8

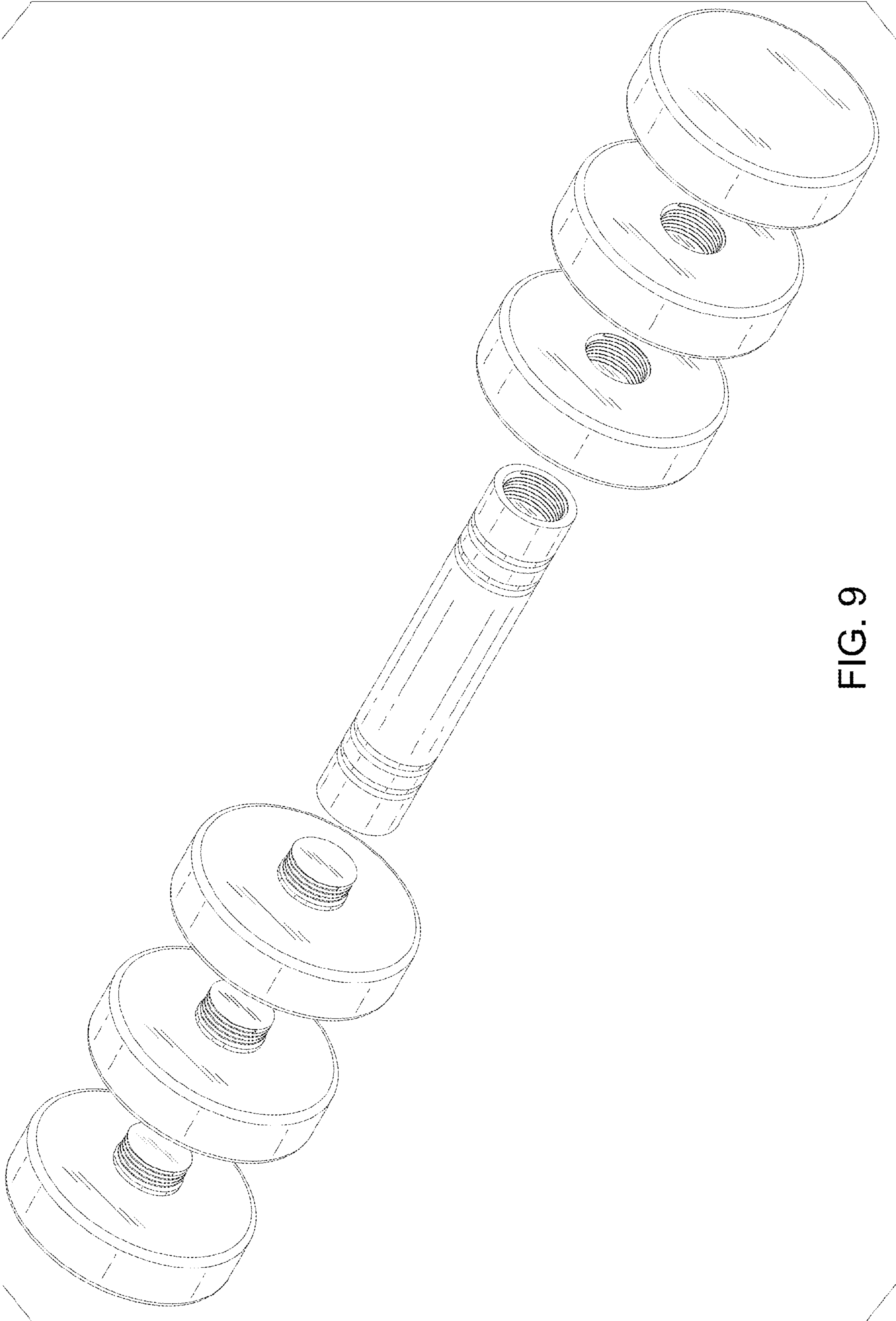


FIG. 9

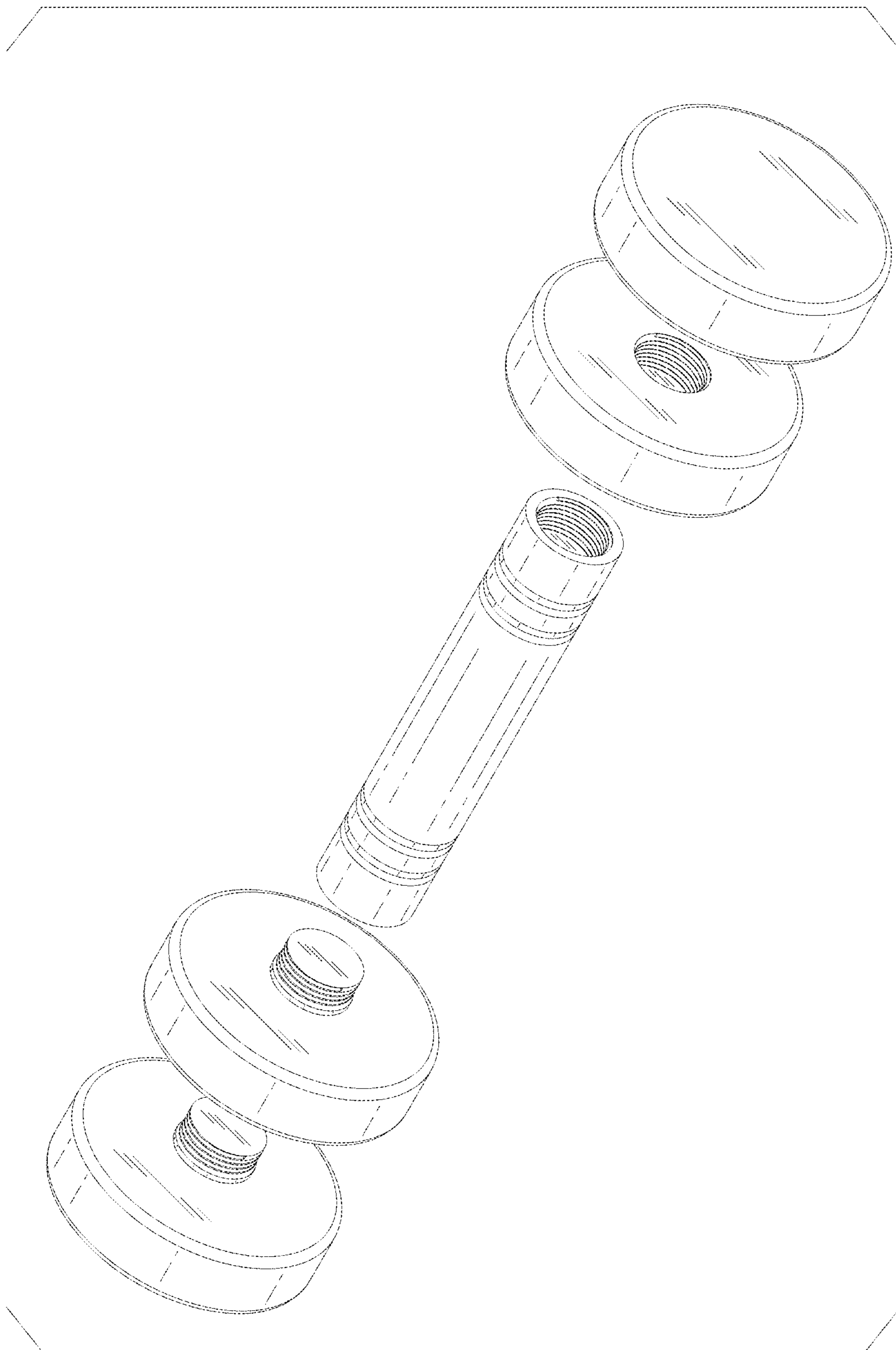


FIG. 10

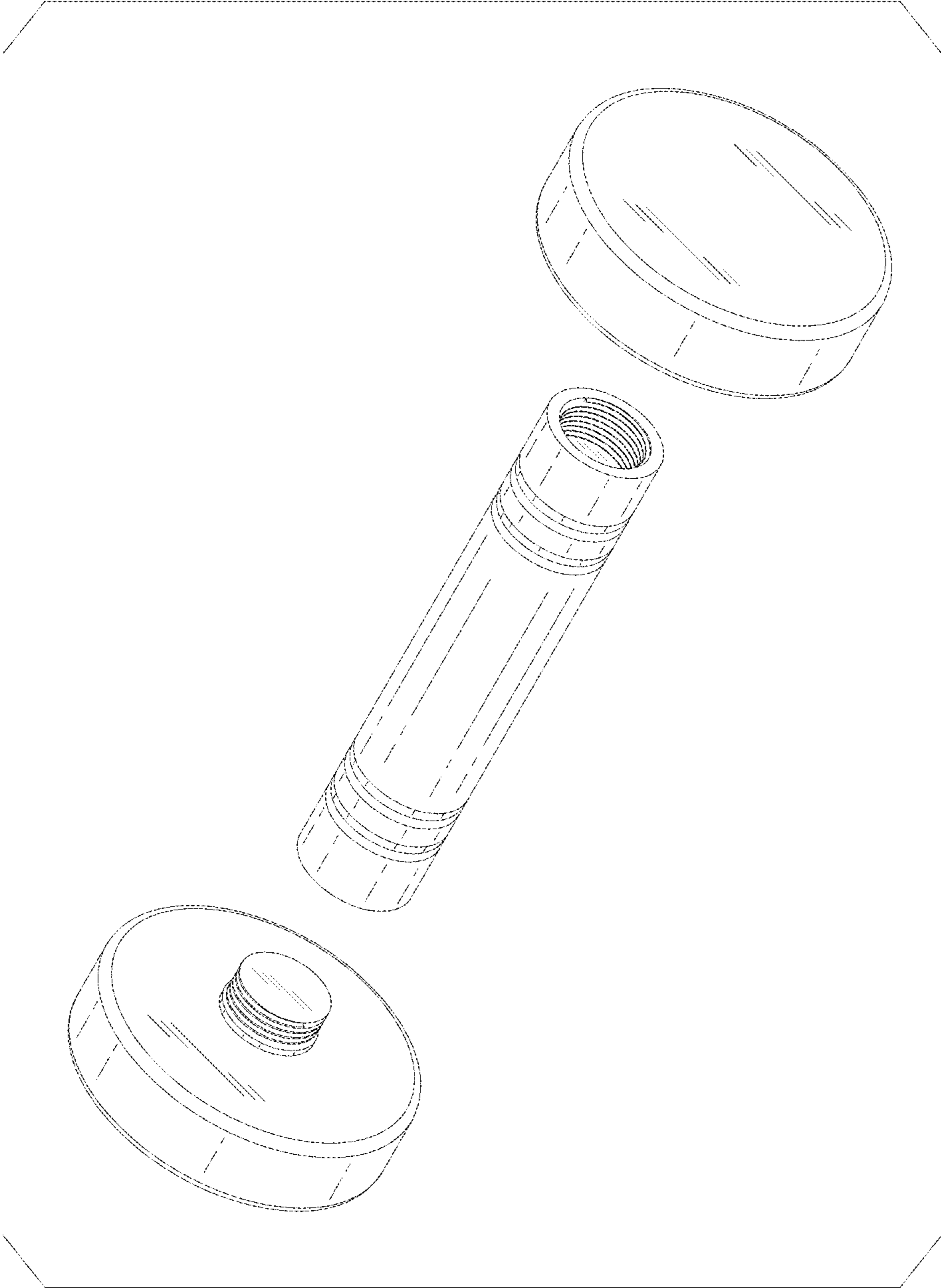


FIG. 11