



US00D952771S

(12) **United States Design Patent** (10) **Patent No.:** **US D952,771 S**
Lu (45) **Date of Patent:** **** May 24, 2022**

(54) **DUMBBELL**

(71) Applicant: **YONGKANG WEIDE INDUSTRY AND TRADE CO., LTD.**, Yongkang (CN)

(72) Inventor: **Huahua Lu**, Yongkang (CN)

(73) Assignee: **YONGKANG WEIDE INDUSTRY AND TRADE CO., LTD.**, Yongkang (CN)

(**) Term: **15 Years**

(21) Appl. No.: **29/752,391**

(22) Filed: **Sep. 27, 2020**

(30) **Foreign Application Priority Data**

Sep. 22, 2020 (CN) 202030567344.7

(51) **LOC (13) Cl.** **21-02**

(52) **U.S. Cl.**
USPC **D21/681**

(58) **Field of Classification Search**
USPC D21/406, 680, 681, 694, 662, 684, 675,
D21/677

See application file for complete search history.

(56) **References Cited**

U.S. PATENT DOCUMENTS

D663,795 S *	7/2012	Hillson	D21/681
D685,441 S *	7/2013	Januszek	D21/681
D692,072 S *	10/2013	Childs	D21/681
11,167,167 B1 *	11/2021	Weng	A63B 21/0728
2007/0173386 A1 *	7/2007	Wang	A63B 21/0728
				482/107
2008/0032874 A1 *	2/2008	Towley	A63B 21/063
				482/106
2009/0042700 A1 *	2/2009	Liu	A63B 21/075
				482/107
2018/0078811 A1 *	3/2018	Chen	A63B 21/0726
2018/0236296 A1 *	8/2018	Svenberg	A63B 21/00065

2019/0299047 A1 *	10/2019	Nalley	A63B 21/0728
2020/0376320 A1 *	12/2020	Wang	A63B 21/075
2021/0146186 A1 *	5/2021	Chen	A63B 21/075
2021/0322817 A1 *	10/2021	Chen	A63B 21/072
2021/0402243 A1 *	12/2021	Svenberg	A63B 21/072

FOREIGN PATENT DOCUMENTS

CN	306322816	*	9/2020
JP	D2020-17924	*	8/2020
JP	D2020-17925	*	8/2020

OTHER PUBLICATIONS

Nordictrack, announced 2020[online], [site visited Jan. 25, 2022]. Available on the internet, URL:https://www.amazon.com/NordicTrack-Select-Weight-Dumbbell-Black/dp/B08BDD6GPC/ref (Year: 2020).*

* cited by examiner

Primary Examiner — Khawaja Anwar

Assistant Examiner — Julice Seung Eun Oum

(57) **CLAIM**

The ornamental design for a dumbbell, as shown and described.

DESCRIPTION

FIG. 1 is a perspective view of a dumbbell showing my new design;

FIG. 2 is another perspective view thereof;

FIG. 3 is a front elevational view thereof;

FIG. 4 is a rear elevational view thereof;

FIG. 5 is a left side elevational view thereof;

FIG. 6 is a right side elevational view thereof;

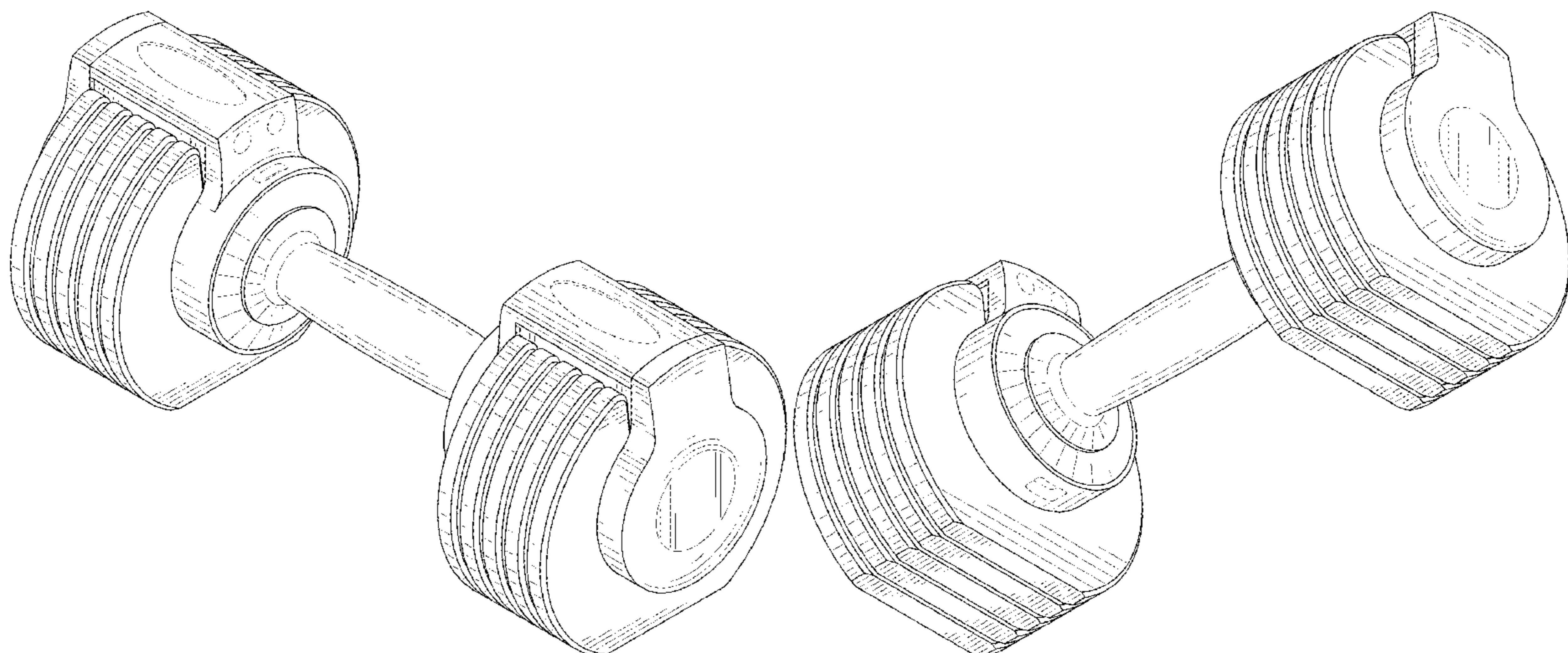
FIG. 7 is a top plan view thereof;

FIG. 8 is a bottom plan view thereof; and,

FIG. 9 is an exploded view thereof.

The broken lines shown in the drawings are for the purpose of illustrating portions of dumbbell, which form no part of the claimed design.

1 Claim, 9 Drawing Sheets



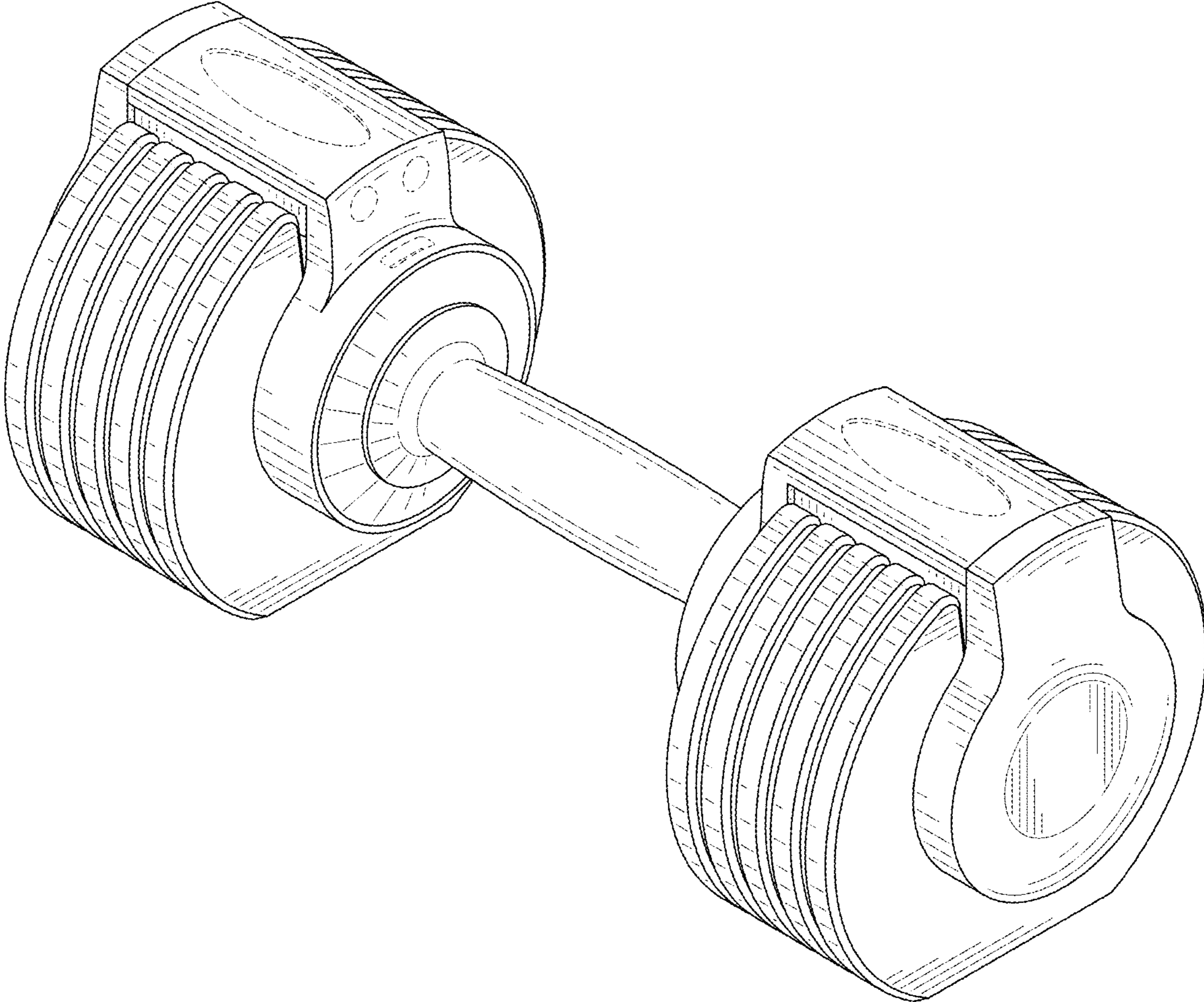


FIG. 1

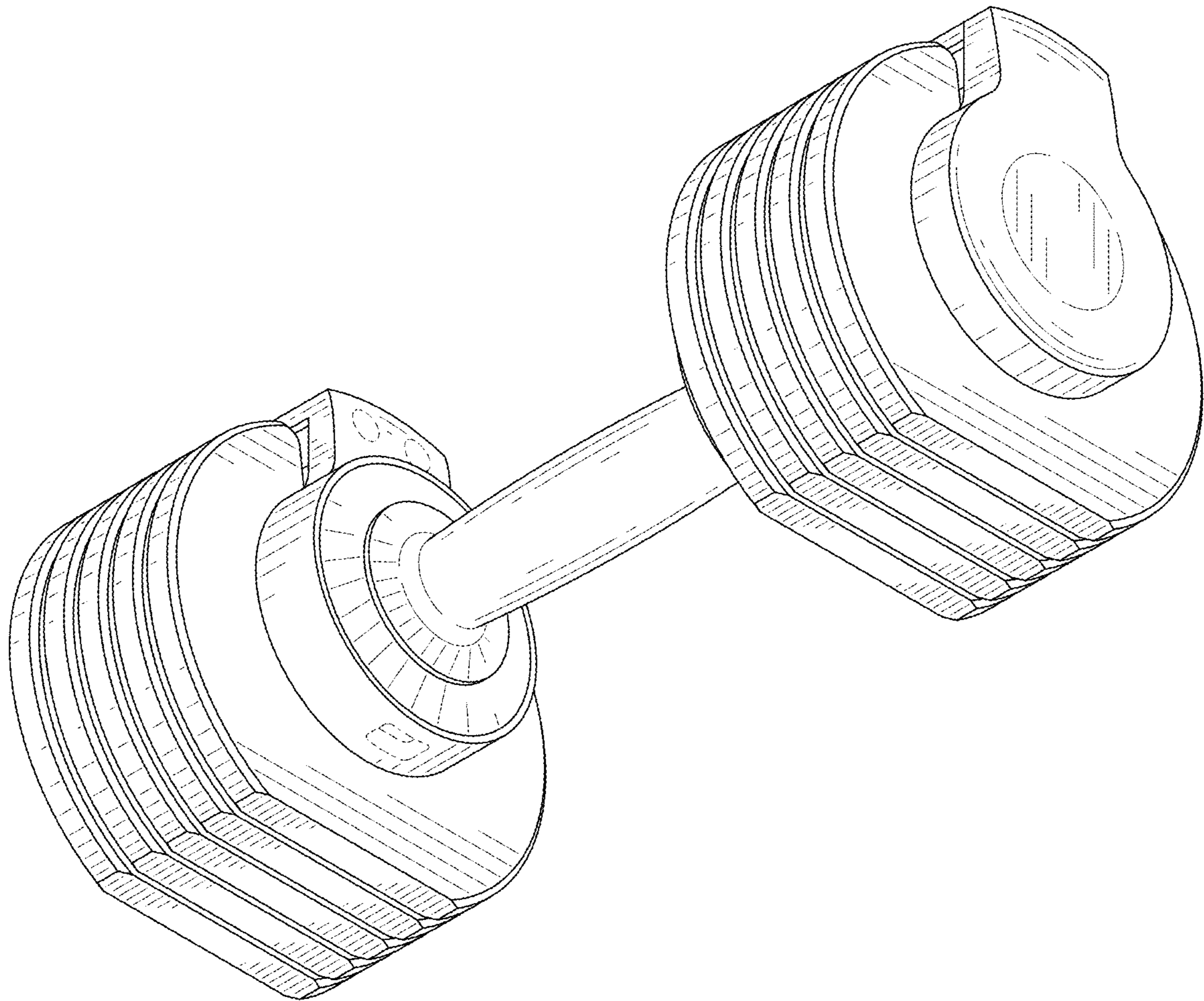


FIG. 2

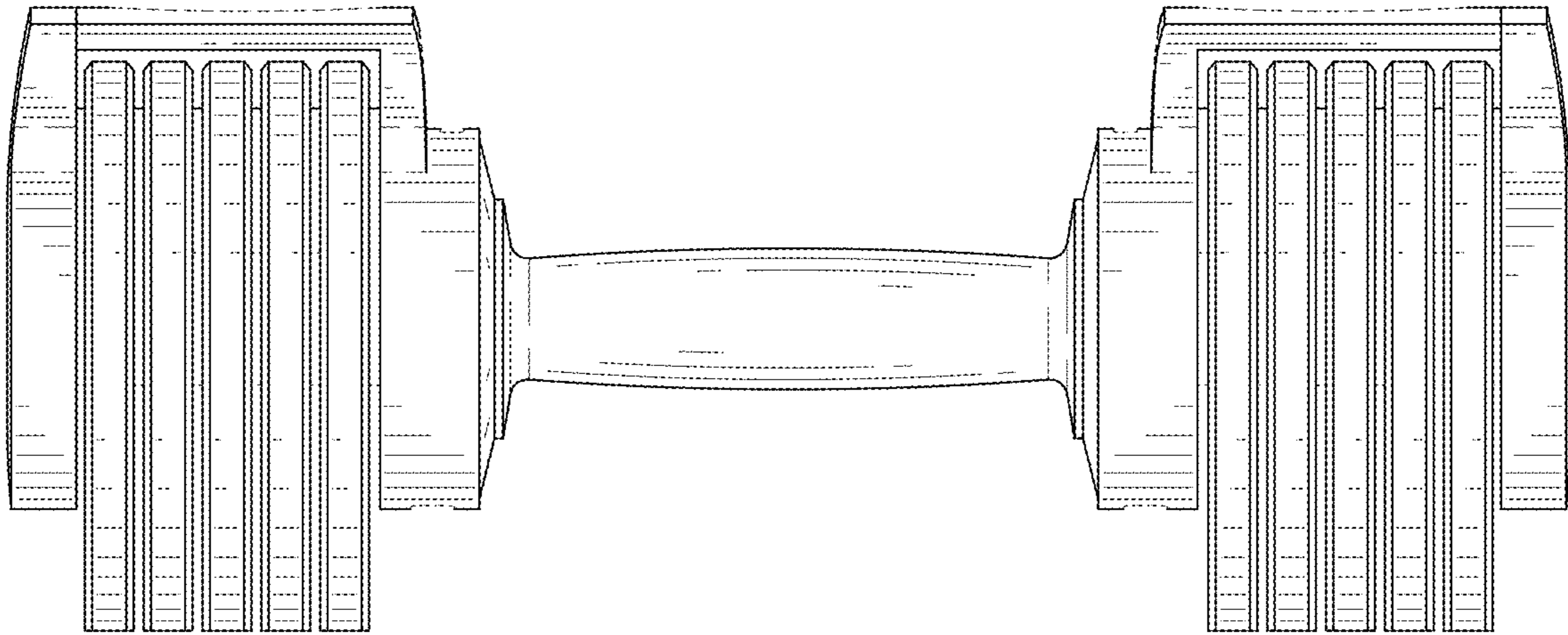


FIG. 3

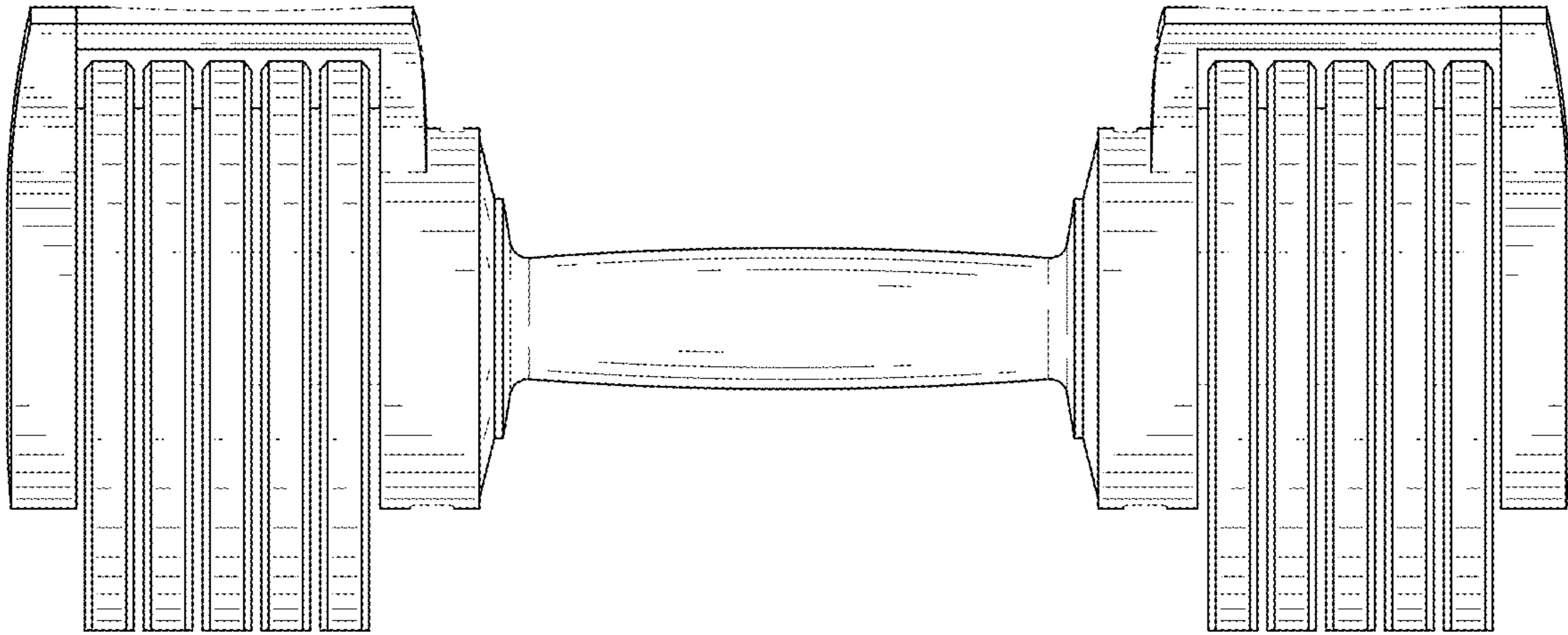


FIG. 4

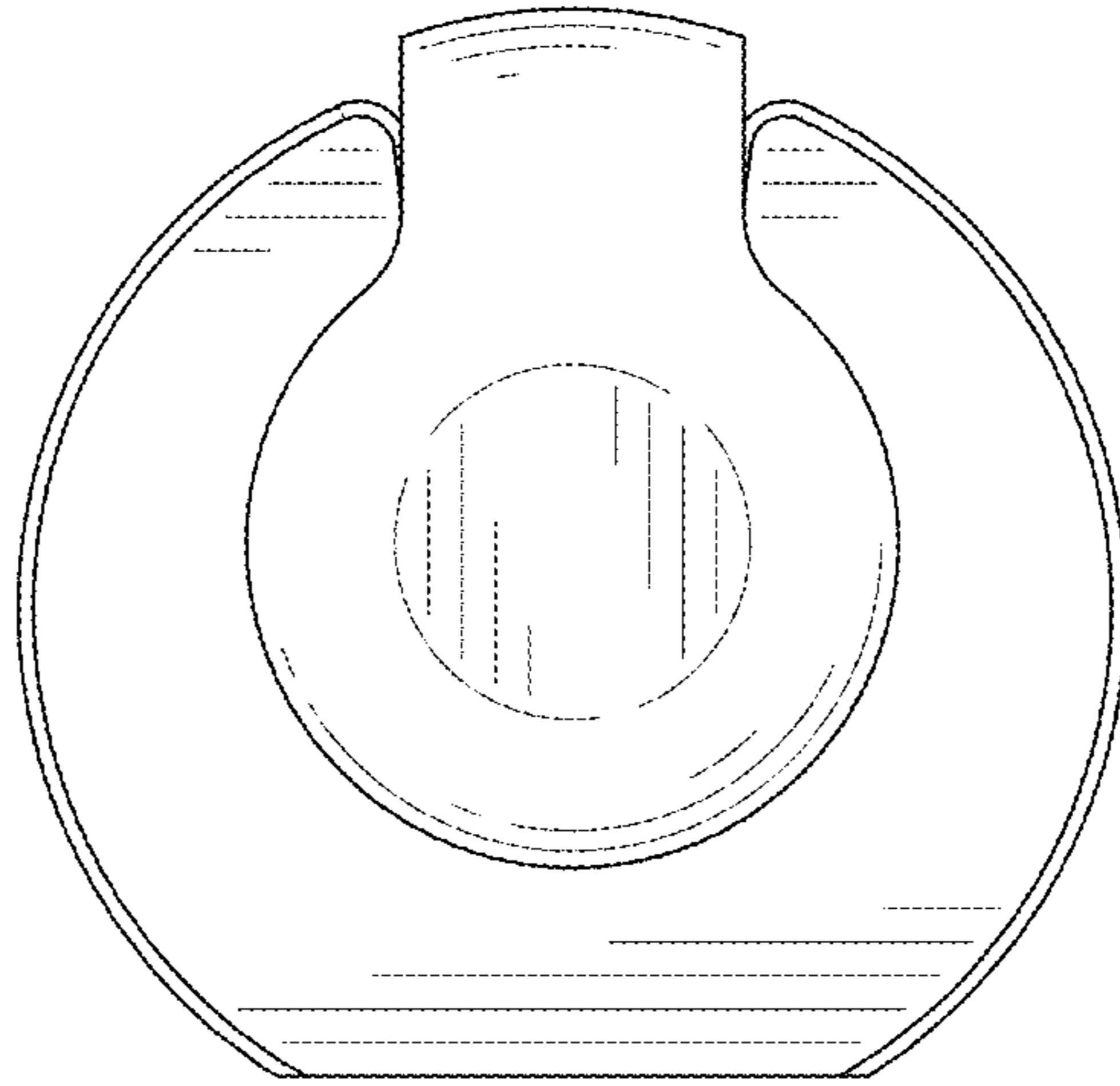


FIG. 5

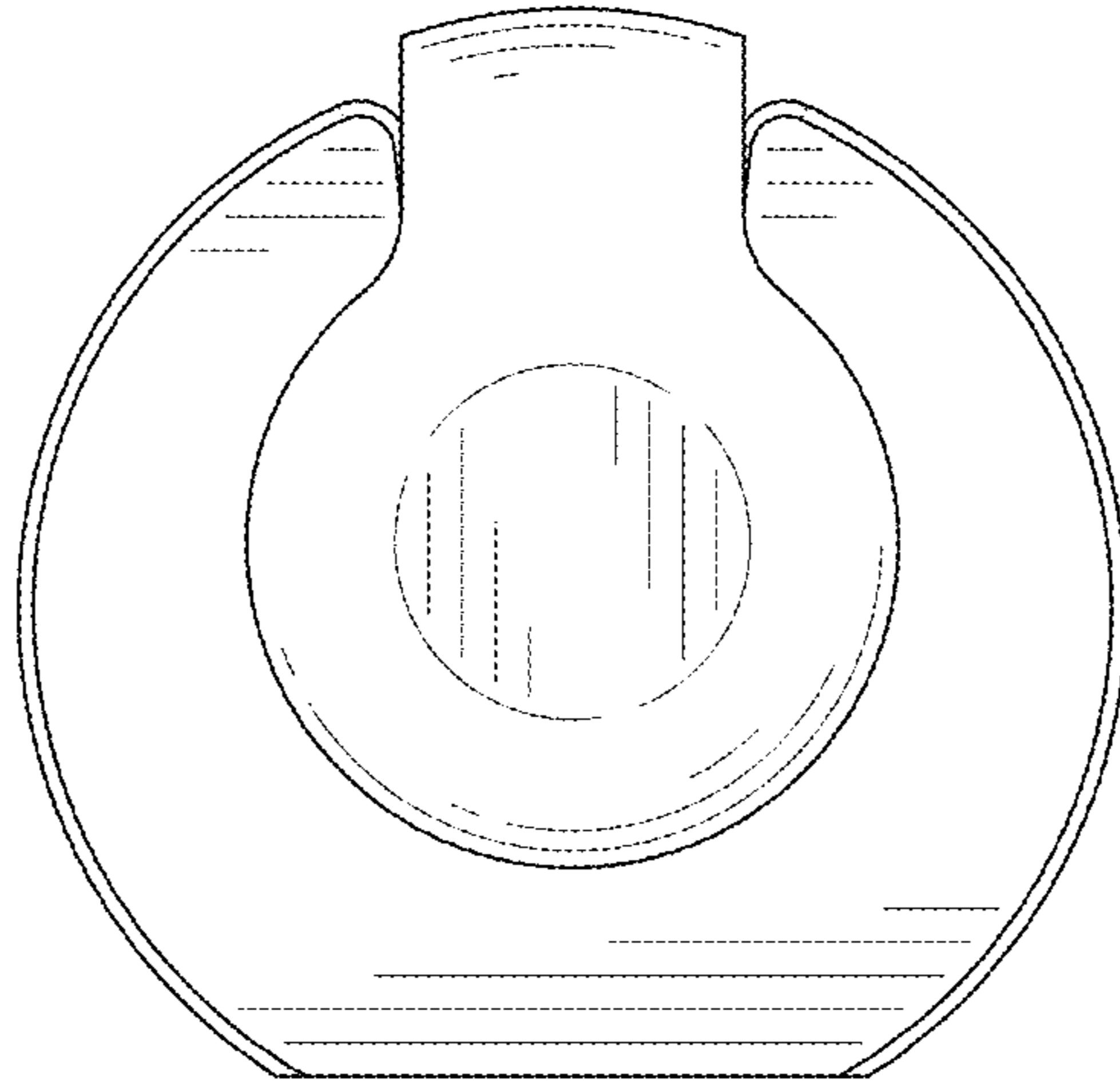


FIG. 6

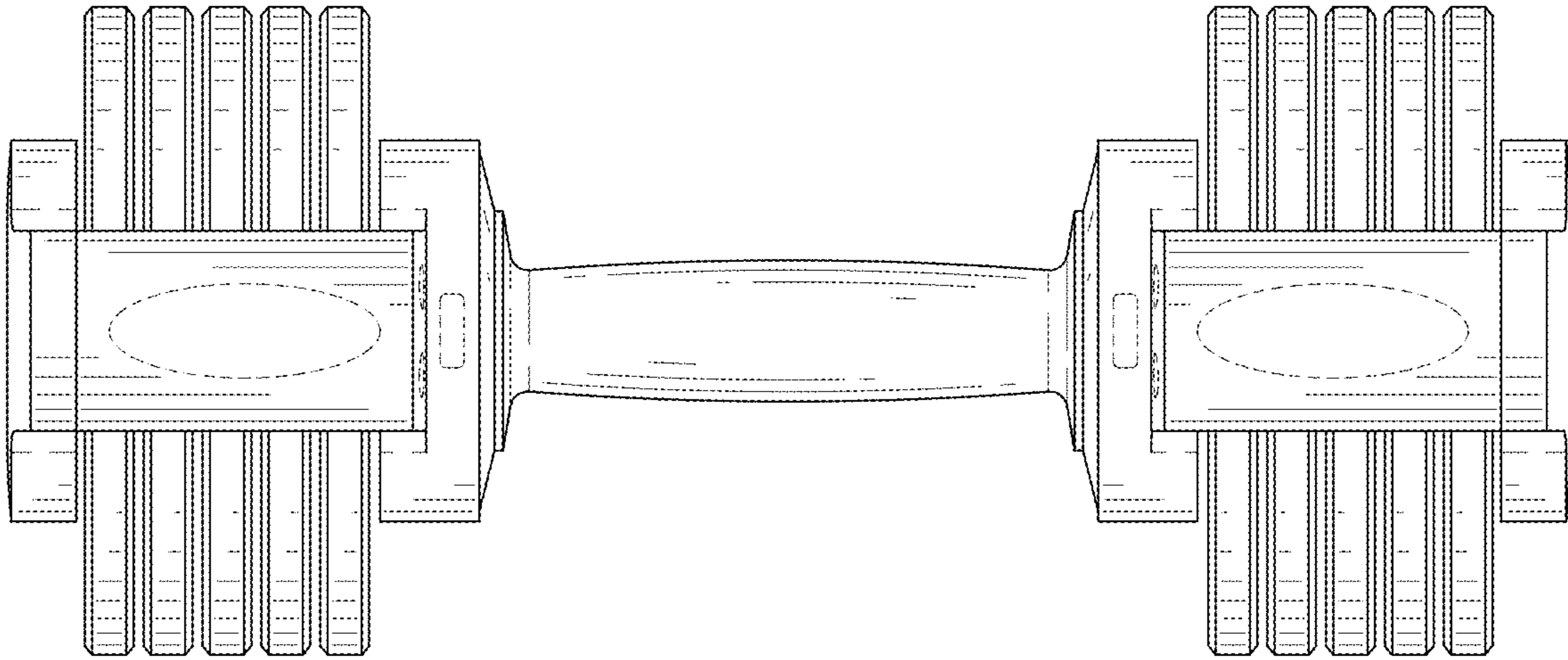


FIG. 7

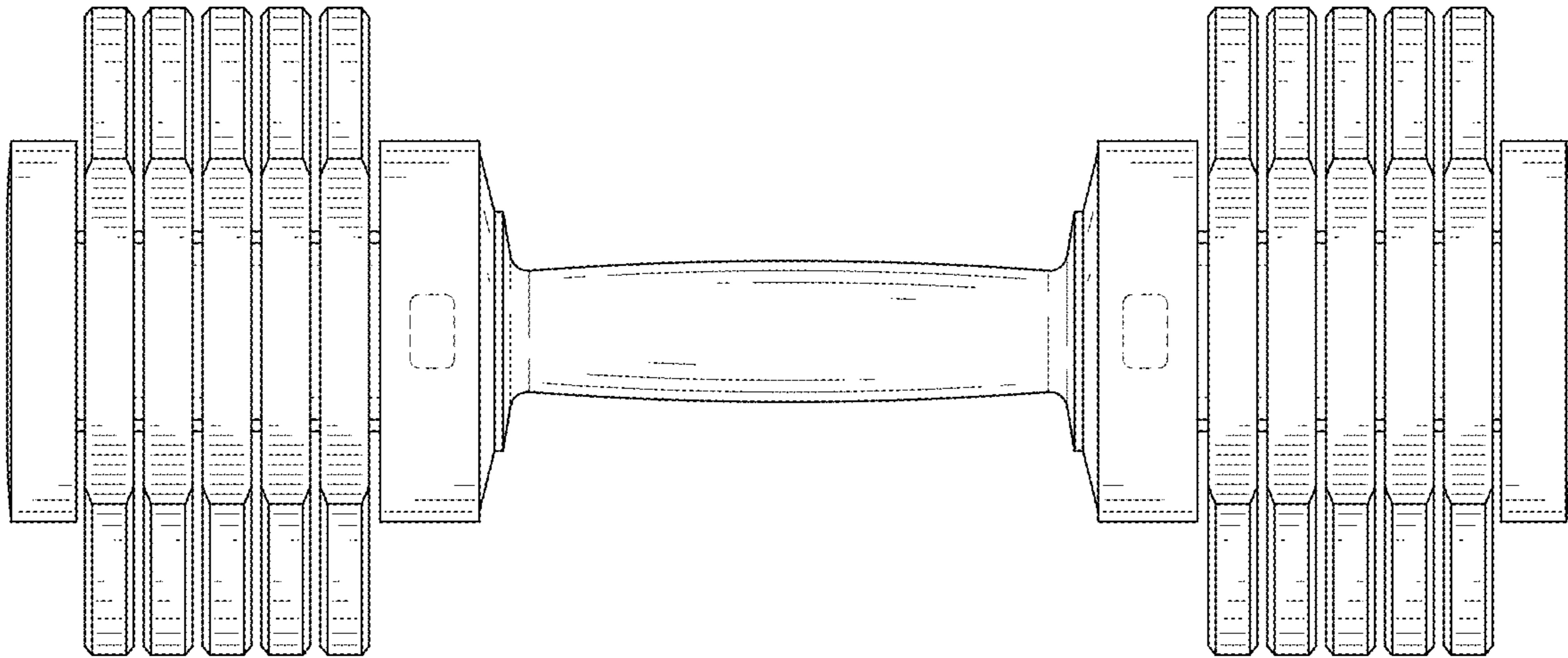


FIG. 8

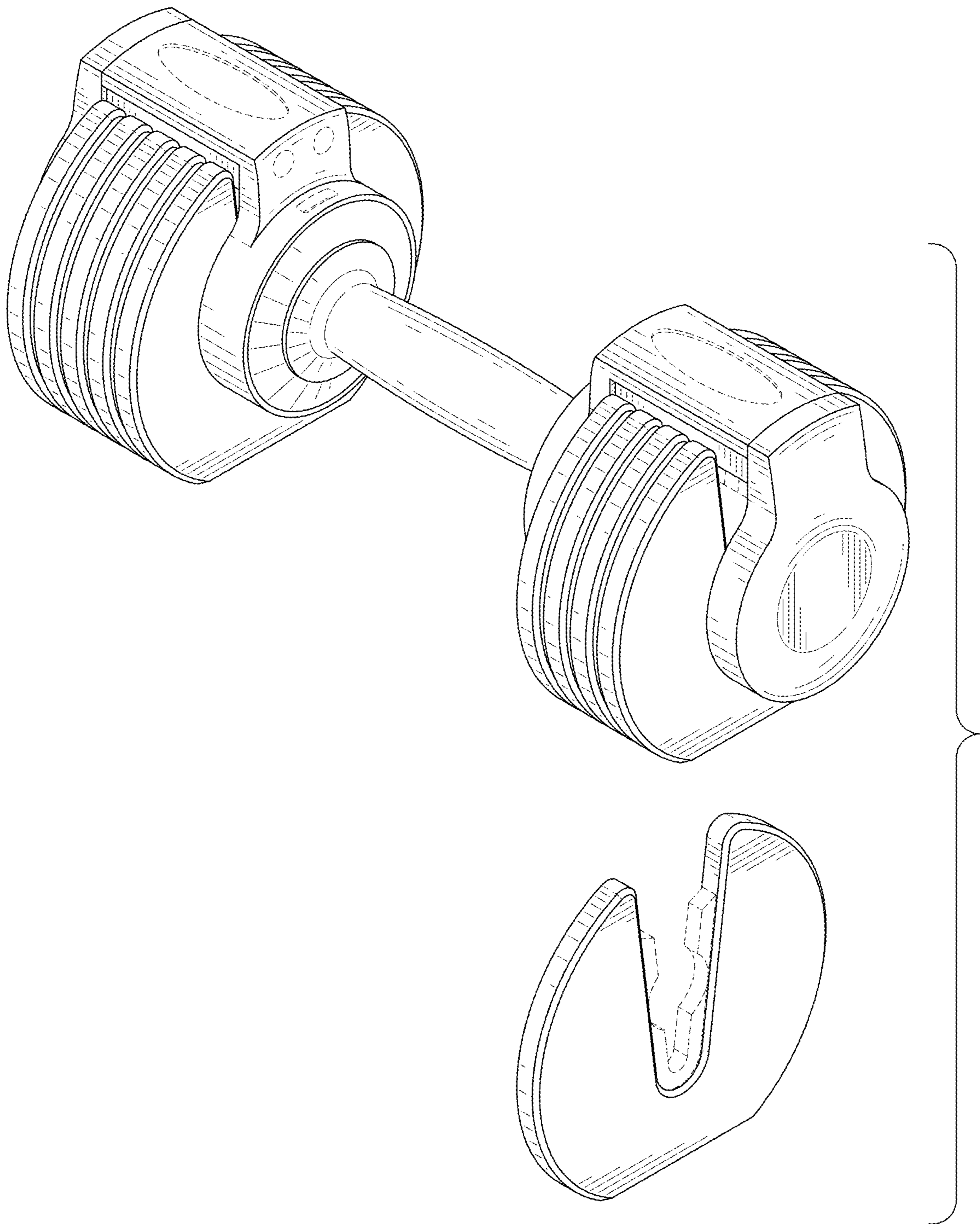


FIG. 9