



US00D952769S

(12) **United States Design Patent** (10) **Patent No.:** **US D952,769 S**
Hu (45) **Date of Patent:** **** May 24, 2022**

(54) **RUNNING MACHINE**

(71) Applicant: **Yongkang Saihan Electronic Technology Co Ltd., Jinhua (CN)**

(72) Inventor: **Tao Hu, Jinhua (CN)**

(73) Assignee: **Yongkang Saihan Electronic Technology Co Ltd., Jinhua (CN)**

(**) Term: **15 Years**

(21) Appl. No.: **29/757,793**

(22) Filed: **Nov. 10, 2020**

(30) **Foreign Application Priority Data**

Sep. 19, 2020 (CN) 202030559761.7

(51) **LOC (13) Cl.** **21-02**

(52) **U.S. Cl.**
USPC **D21/669**

(58) **Field of Classification Search**
USPC D21/800, 662, 668, 670, 671, 669, 694
See application file for complete search history.

(56) **References Cited**

U.S. PATENT DOCUMENTS

- D854,101 S * 7/2019 Kruse D21/669
- D907,722 S * 1/2021 Fang D21/669
- D918,317 S * 5/2021 Servadei D21/669
- D935,537 S * 11/2021 Wang D21/669
- 2013/0196827 A1* 8/2013 Chang A63B 22/02
482/54
- 2014/0066263 A1* 3/2014 Huang A63B 24/0087
482/54
- 2016/0184625 A1* 6/2016 Chang B32B 27/08
482/54
- 2016/0279465 A1* 9/2016 Chang A63B 22/02
- 2018/0361194 A1* 12/2018 Corbalis A63B 22/0221
- 2020/0188728 A1* 6/2020 Ma A63B 22/0214

- 2020/0368578 A1* 11/2020 Lin A61B 5/4866
- 2021/0046352 A1* 2/2021 Lopez Babodilla
A63B 22/0023
- 2021/0138299 A1* 5/2021 Li A63B 22/0023

FOREIGN PATENT DOCUMENTS

CN 202030355318.8 * 7/2020

OTHER PUBLICATIONS

Reebok, announced 2019[online], [site visited Jan. 26, 2022]. Available on internet, URL:https://www.amazon.com/Reebok-Jet-300-Treadmill-Bluetooth/dp/B0788C2GVP/ref (Year: 2019).*

* cited by examiner

Primary Examiner — Khawaja Anwar
Assistant Examiner — Julice Seung Eun Oum

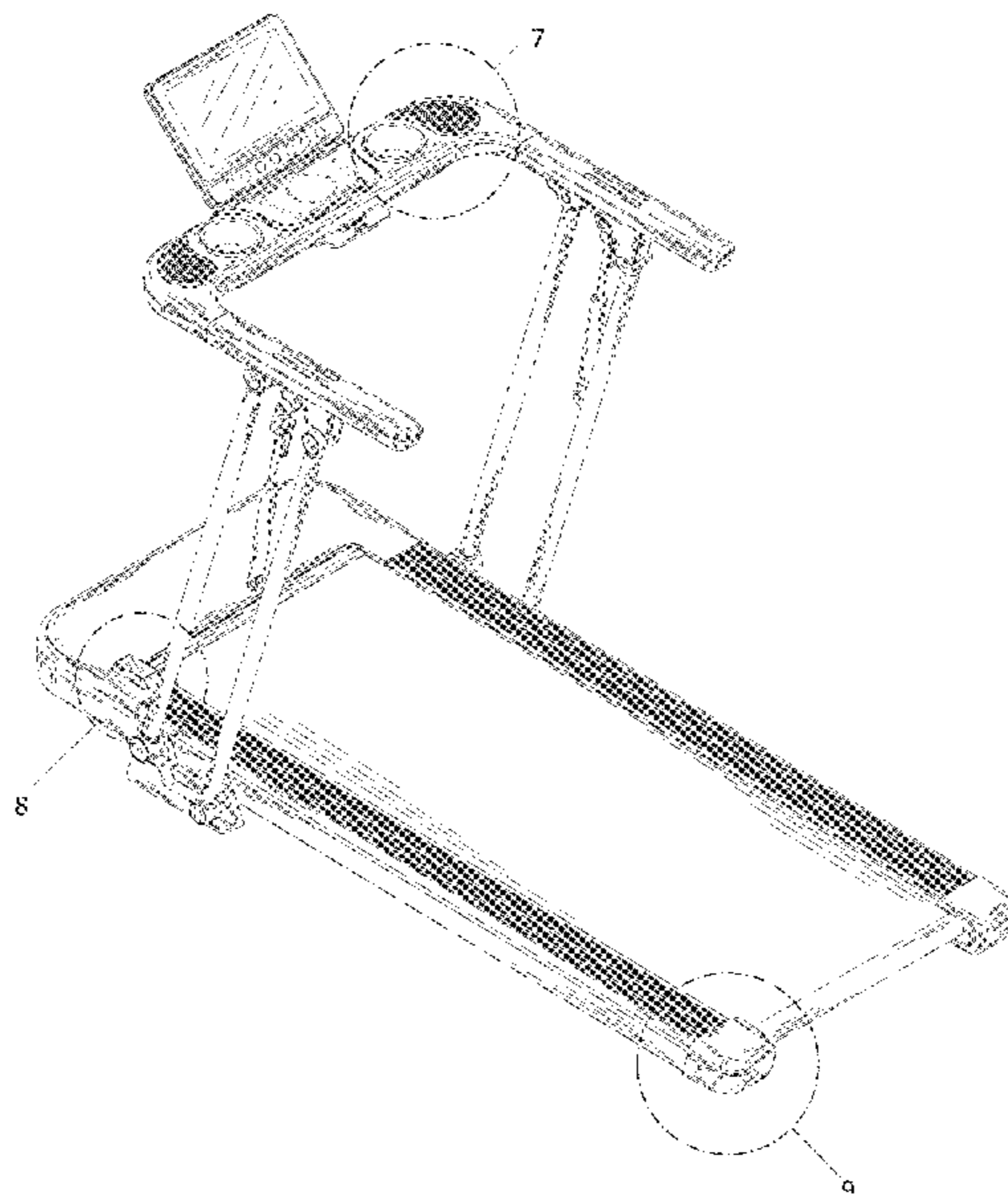
(57) **CLAIM**

The ornamental design for a running machine, as shown and described.

DESCRIPTION

FIG. 1 is a rear, top and right perspective view of a running machine showing my new design;
FIG. 2 is an enlarged front view thereof;
FIG. 3 is an enlarged rear view thereof;
FIG. 4 is a right side view thereof;
FIG. 5 is a left side view thereof;
FIG. 6 is top view thereof;
FIG. 7 is a partially enlarged view of the area "7" in FIG. 1;
FIG. 8 is a partially enlarged view of the area "8" in FIG. 1; and,
FIG. 9 is a partially enlarged view of the area "9" in FIG. 1. The bottom view is omitted since the bottom view is invisible in normal use.
The broken lines depict portions of the running machine is embodied that form no part of the claimed design.

1 Claim, 9 Drawing Sheets



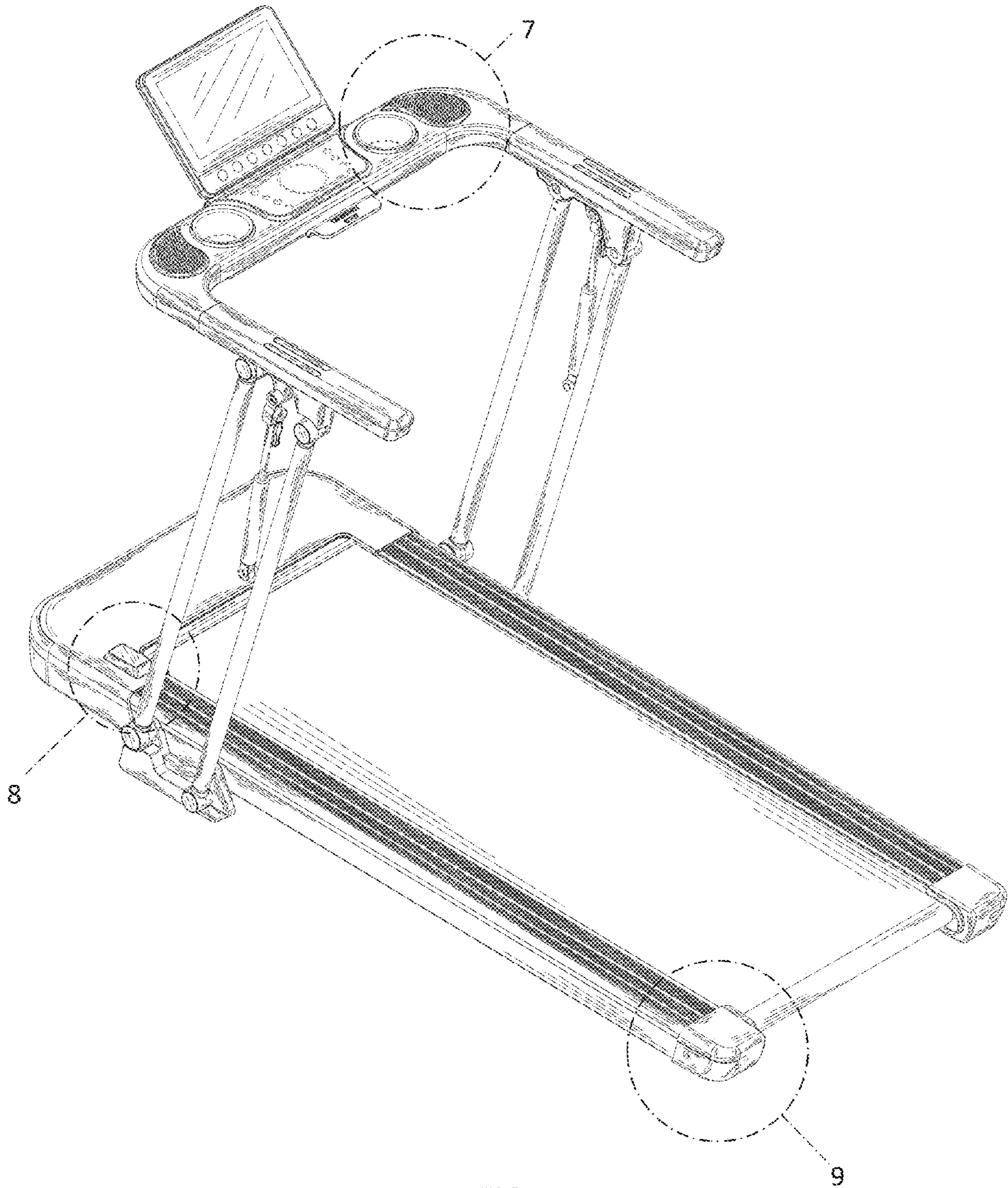


FIG. 1

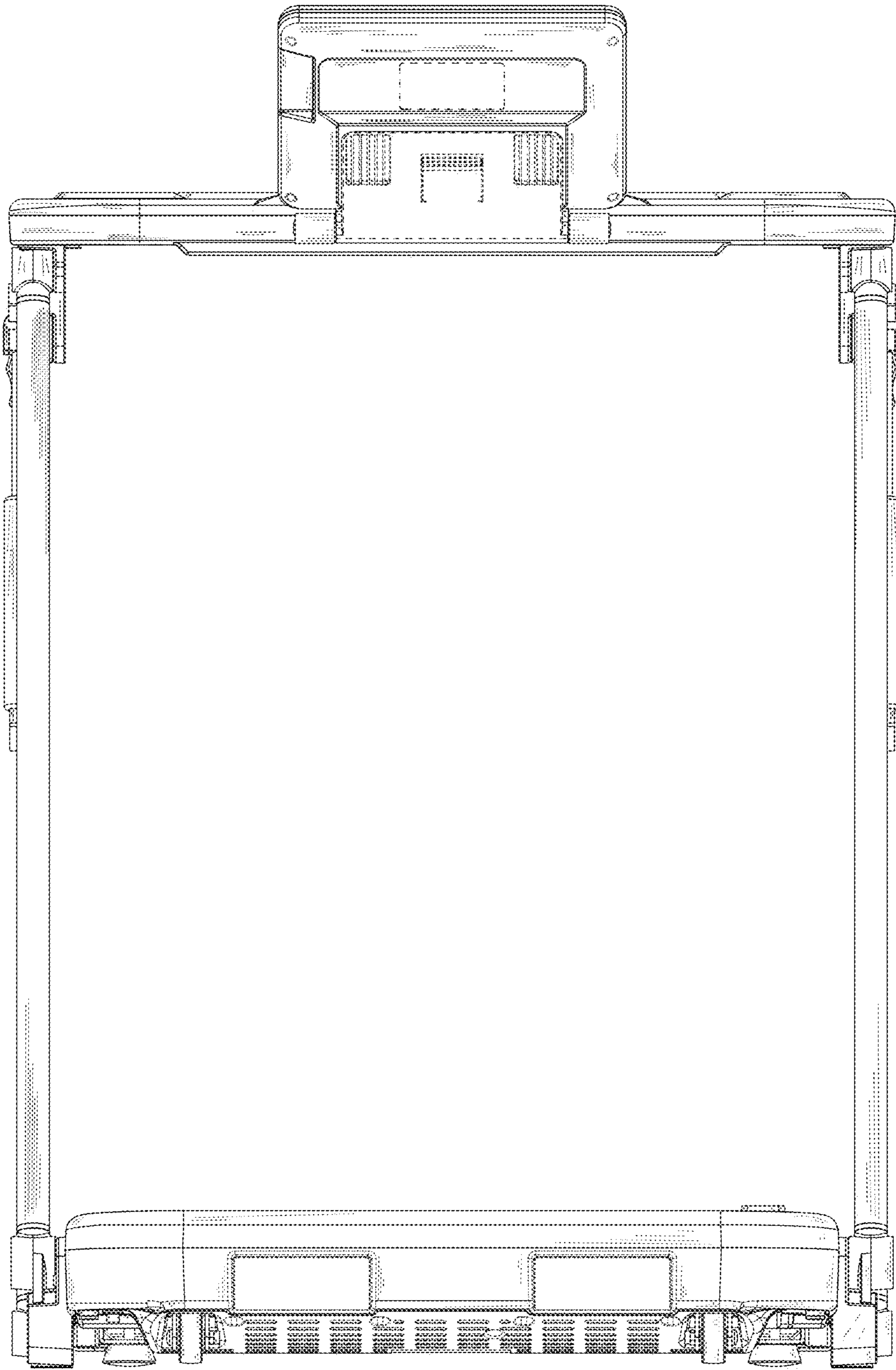


FIG. 2

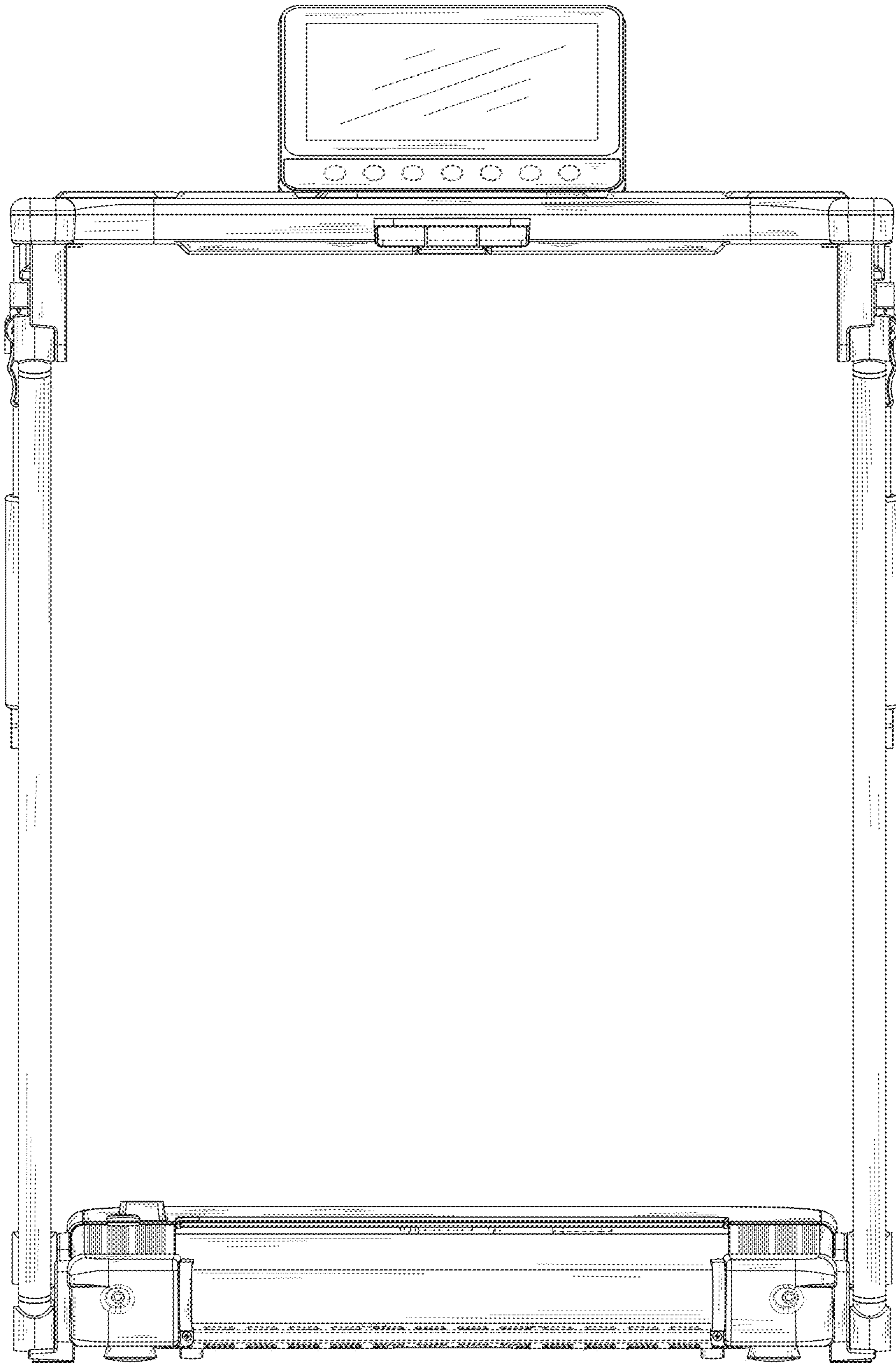


FIG. 3

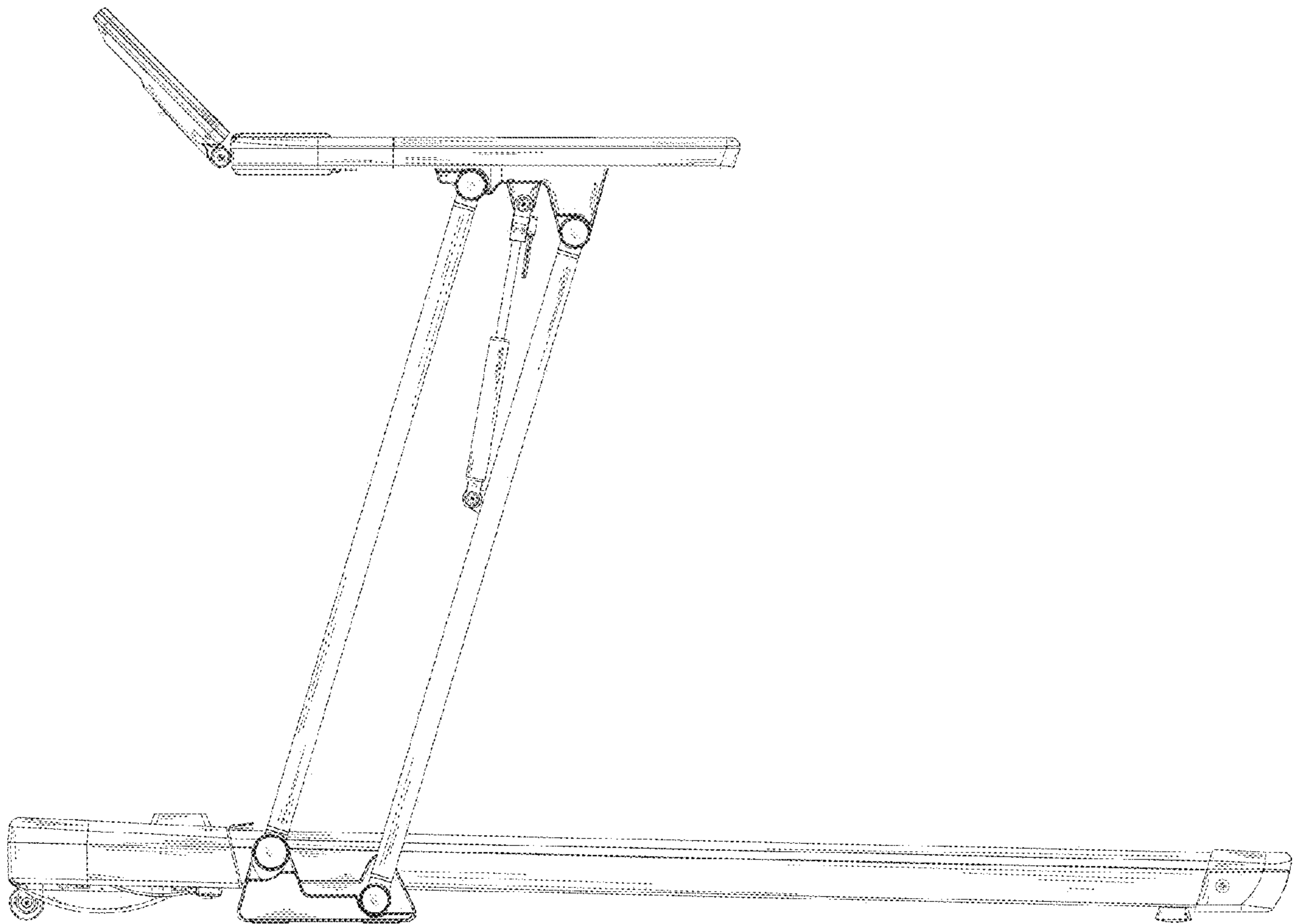


FIG. 4

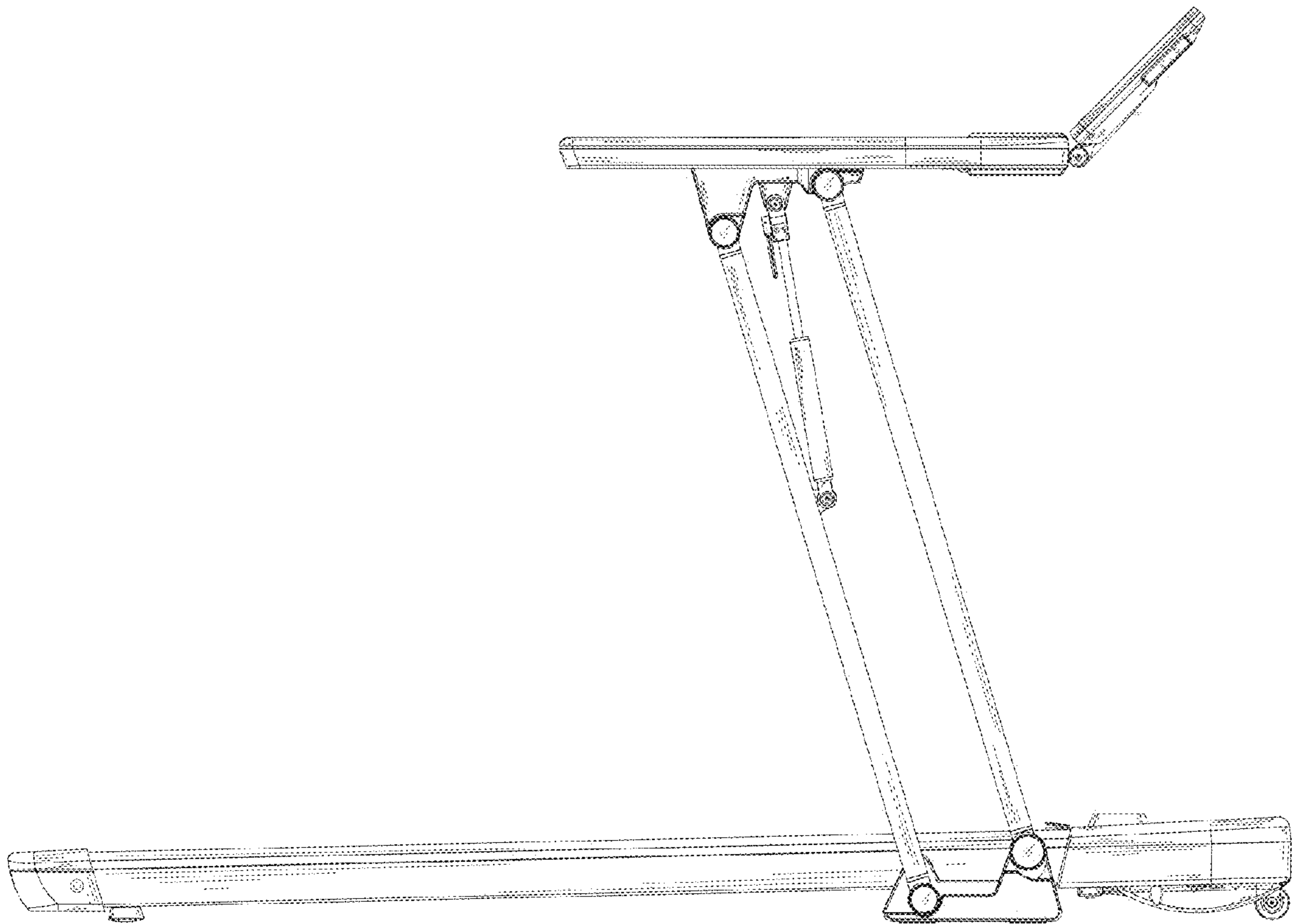


FIG. 5

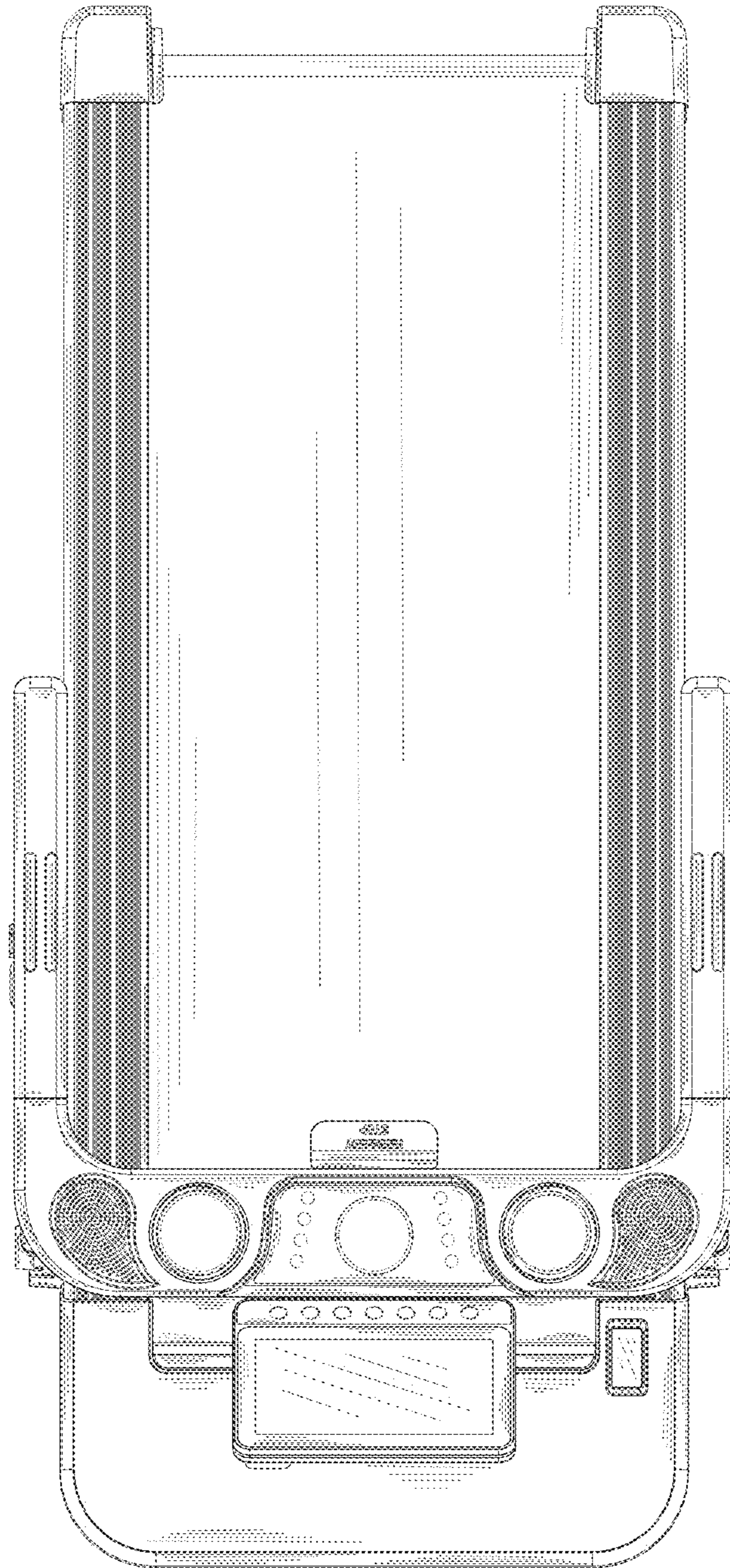


FIG. 6

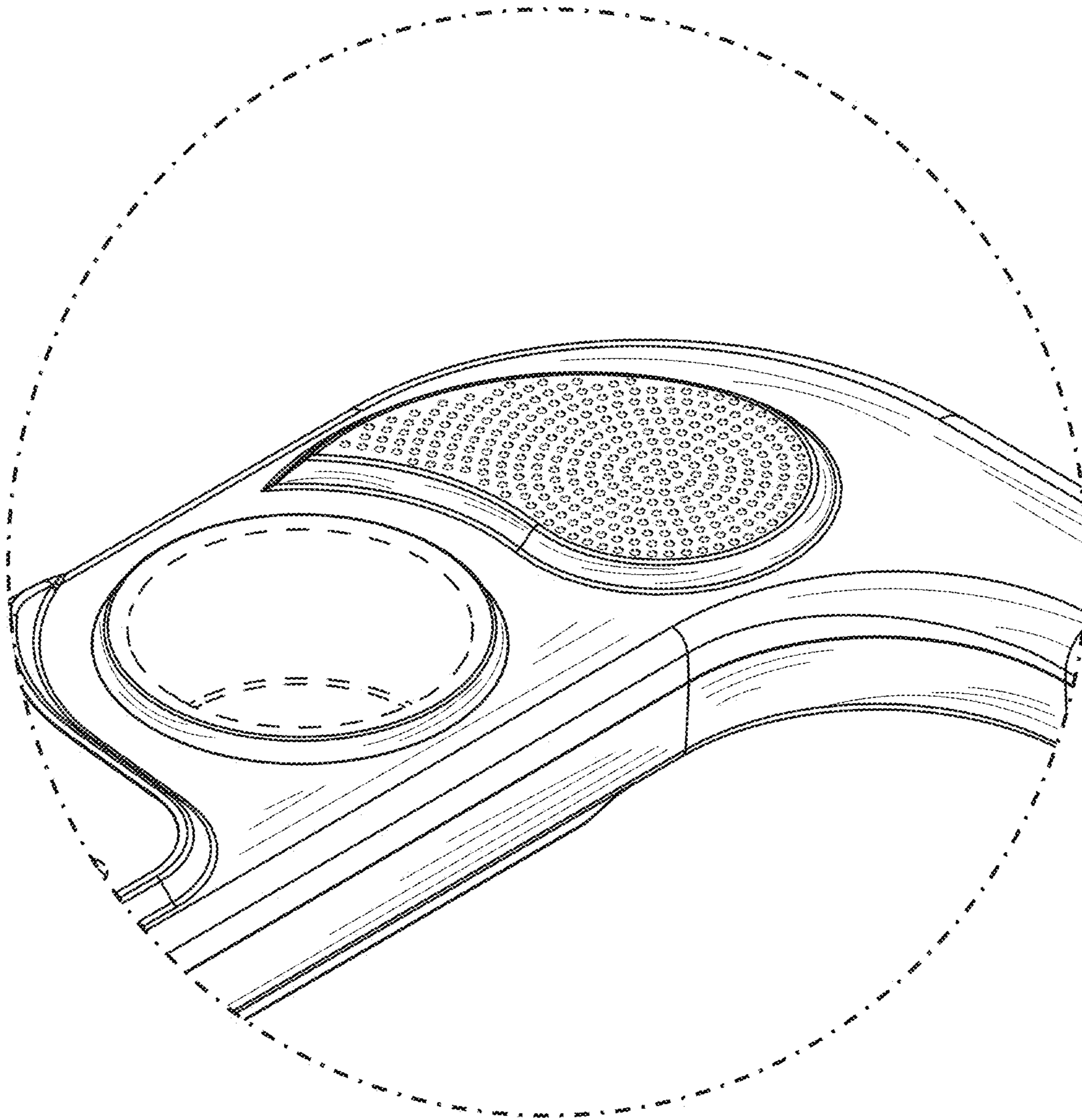


FIG. 7

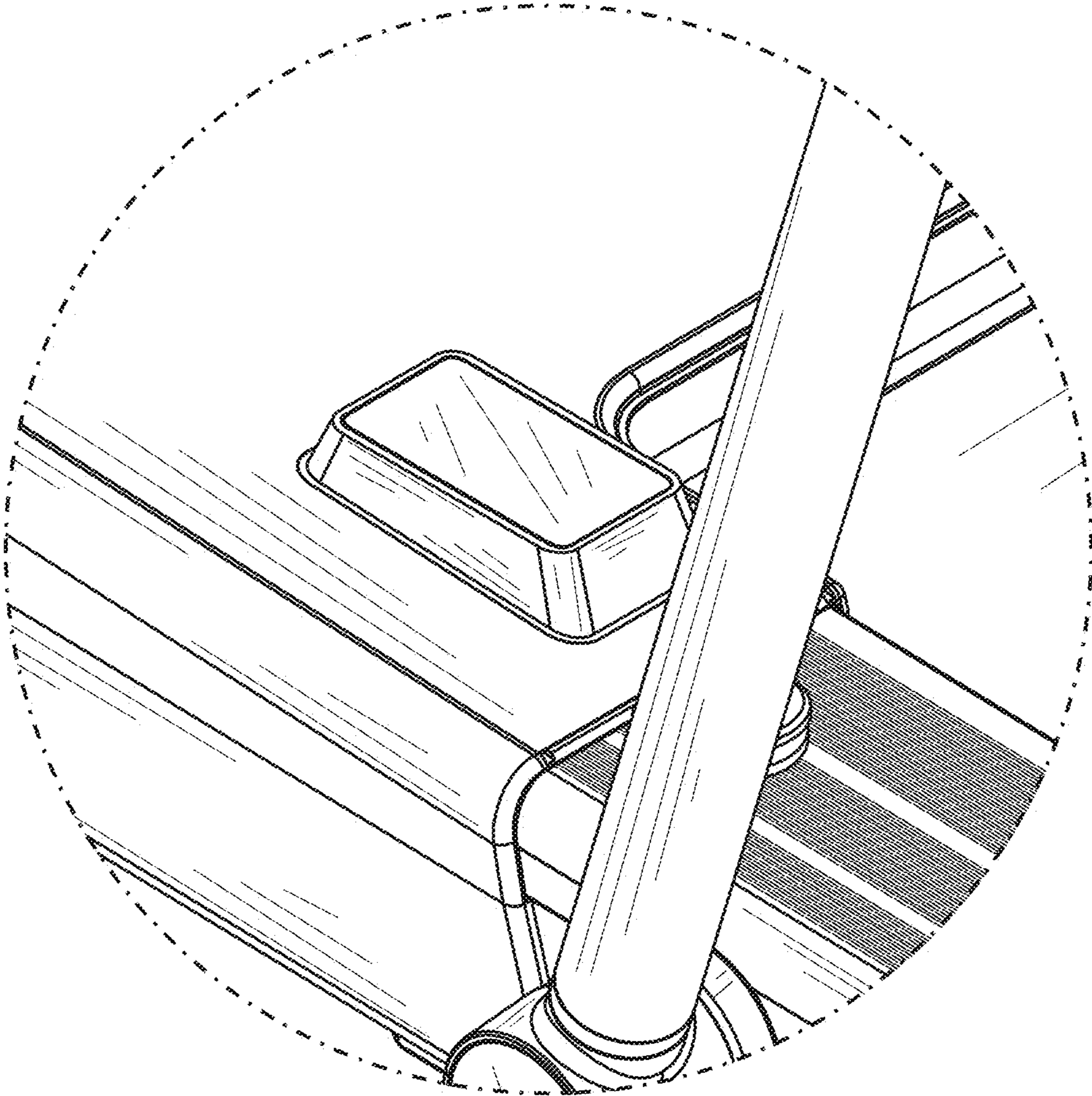


FIG. 8

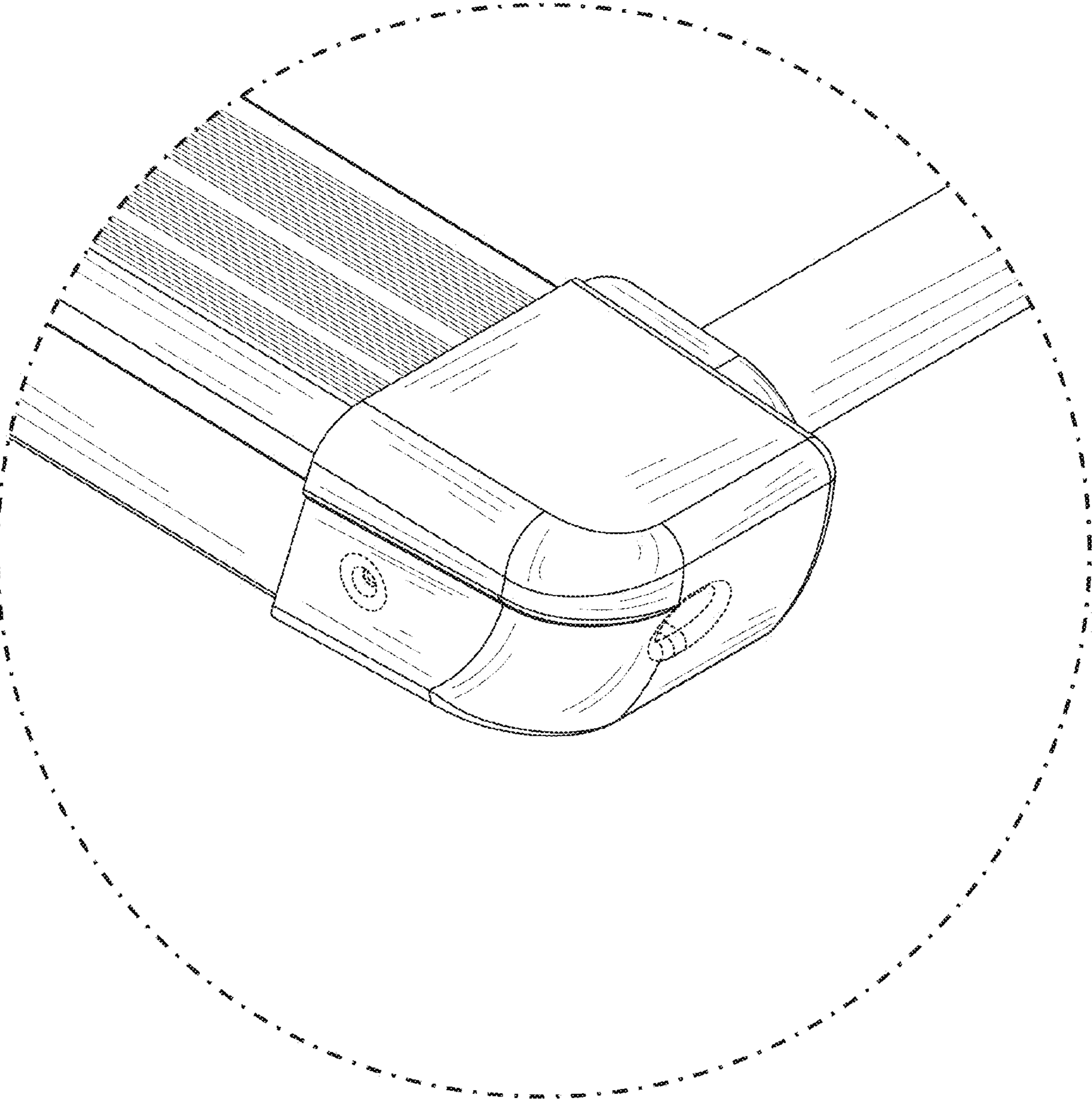


FIG. 9