



US00D952768S

(12) **United States Design Patent** (10) **Patent No.:** **US D952,768 S**
Hu (45) **Date of Patent:** **** May 24, 2022**

(54) **RUNNING MACHINE**

FOREIGN PATENT DOCUMENTS

(71) Applicant: **Yongkang Saihan Electronic Technology Co Ltd., Jinhua (CN)**

CN 201930582796.X * 10/2019
CN 202030562009.8 * 9/2020

(72) Inventor: **Tao Hu, Jinhua (CN)**

OTHER PUBLICATIONS

(73) Assignee: **Yongkang Saihan Electronic Technology Co Ltd., Jinhua (CN)**

Goplus store, announced 2020 [online], [site visited Jan. 26, 2022]. Available on internet, URL: <https://www.amazon.com/Goplus-Folding-Treadmill-Electric-Bluetooth/dp/B08515G965/ref> (Year: 2020).*

(**) Term: **15 Years**

* cited by examiner

(21) Appl. No.: **29/757,787**

Primary Examiner — Khawaja Anwar

(22) Filed: **Nov. 10, 2020**

Assistant Examiner — Julice Seung Eun Oum

(30) **Foreign Application Priority Data**

(57) **CLAIM**

Sep. 22, 2020 (CN) 202030564554.0

The ornamental design for a running machine, as shown and described.

(51) **LOC (13) Cl.** **21-02**

(52) **U.S. Cl.**
USPC **D21/669**

DESCRIPTION

(58) **Field of Classification Search**
USPC D21/662, 668, 670, 671, 669, 694
See application file for complete search history.

FIG. 1 is a front, top and right perspective view of a running machine showing my new design;
FIG. 2 is a front view thereof;
FIG. 3 is a rear view thereof;
FIG. 4 is a left side view thereof;
FIG. 5 is a right side view thereof;
FIG. 6 is rear, top and right perspective view thereof with a handrail and a controller;
FIG. 7 is a partially enlarged view of the area "7" in FIG. 1;
and,
FIG. 8 is a partially enlarged view of the area "8" in FIG. 1.
The bottom view is omitted since the bottom view is invisible in normal use.

(56) **References Cited**

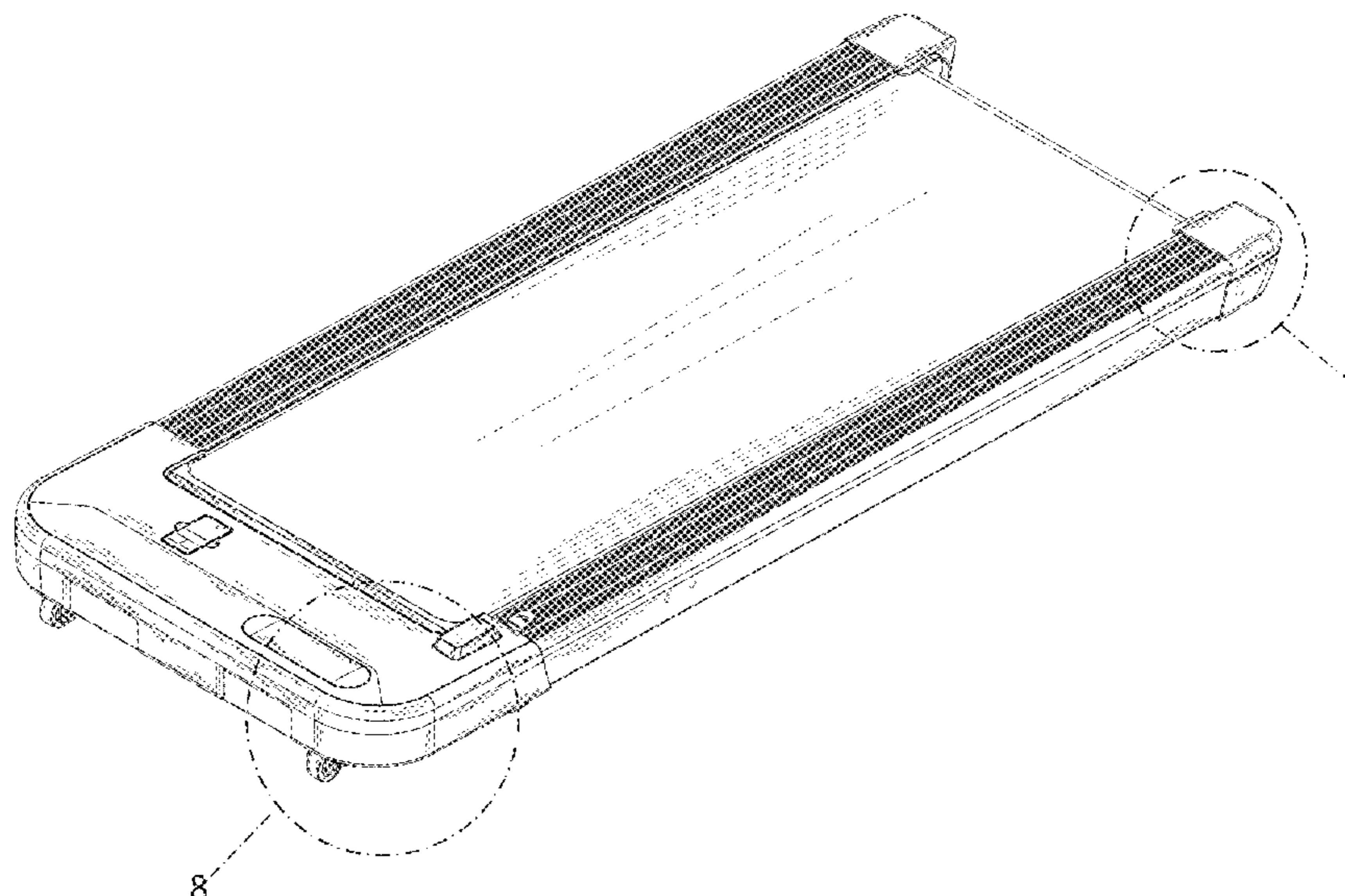
U.S. PATENT DOCUMENTS

D280,002 S *	8/1985	Smith	D21/669
4,614,336 A *	9/1986	Taitel	A63B 21/015
				482/54
D289,312 S *	4/1987	Trulaske	D21/669
D355,227 S *	2/1995	Summers	D21/669
D494,234 S *	8/2004	Sporie	D21/669
D888,845 S *	6/2020	Luo	D21/669
D908,817 S *	1/2021	Wang	D21/669
D910,123 S *	2/2021	Li	D21/669
D919,719 S *	5/2021	Ren	D21/669
D926,895 S *	8/2021	Zhu	D21/669
D929,511 S *	8/2021	Chen	D21/669
D934,961 S *	11/2021	Luo	D21/669
2020/0188728 A1 *	6/2020	Ma	A63B 22/0214
2021/0402279 A1 *	12/2021	Luo	A63B 22/02

The broken lines depict portions of the running machine is embodied that form no part of the claimed design.

The broken lines showing of the handrail and the controller for the purpose of illustrating the environmental structure and forms no part of the claimed design.

1 Claim, 8 Drawing Sheets



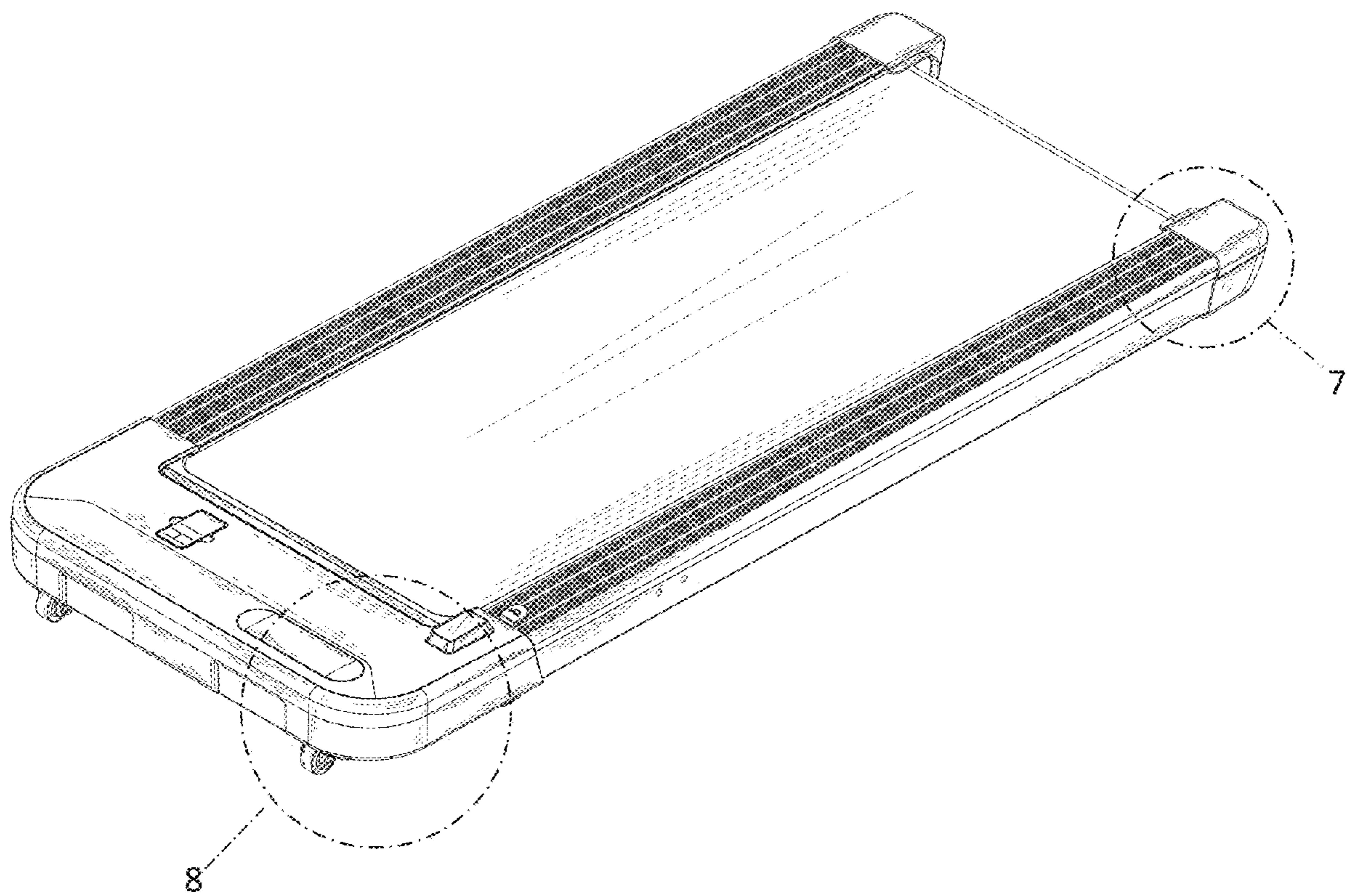


FIG. 1

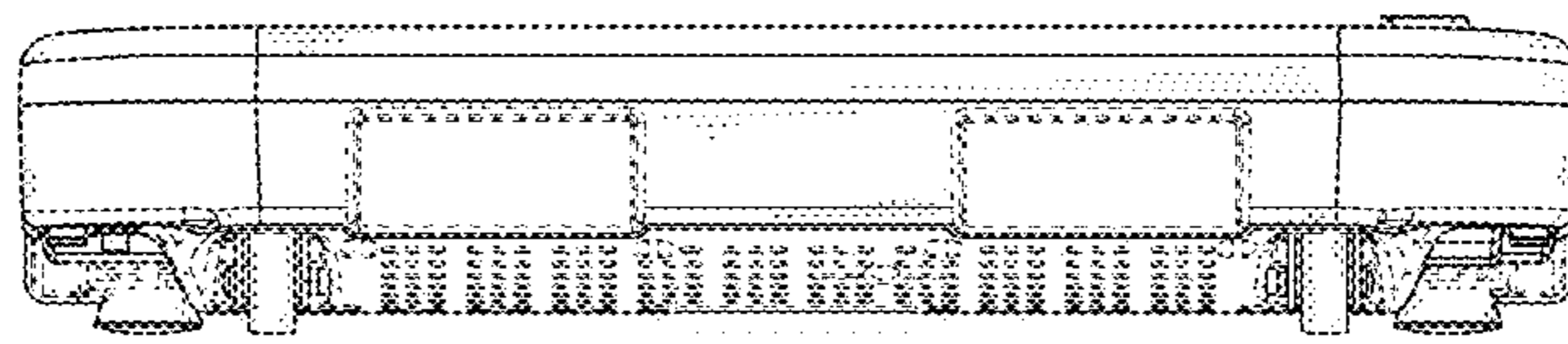


FIG. 2

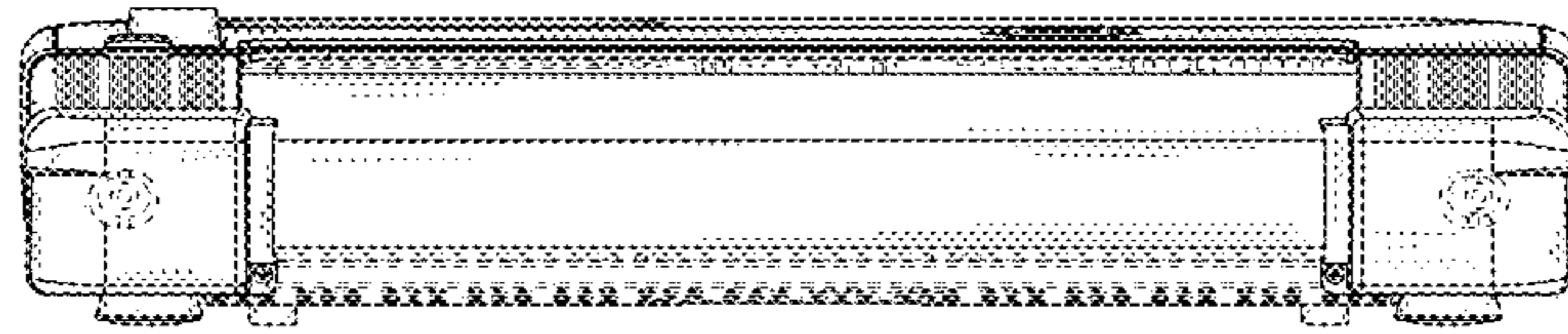


FIG. 3

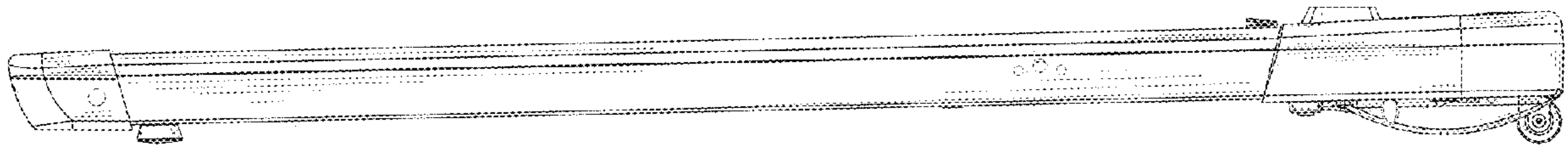


FIG. 4

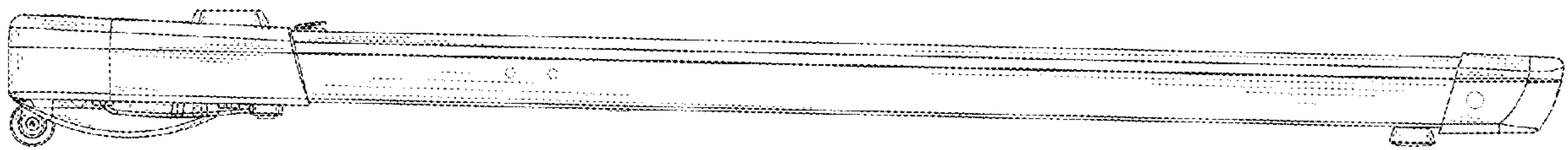


FIG. 5

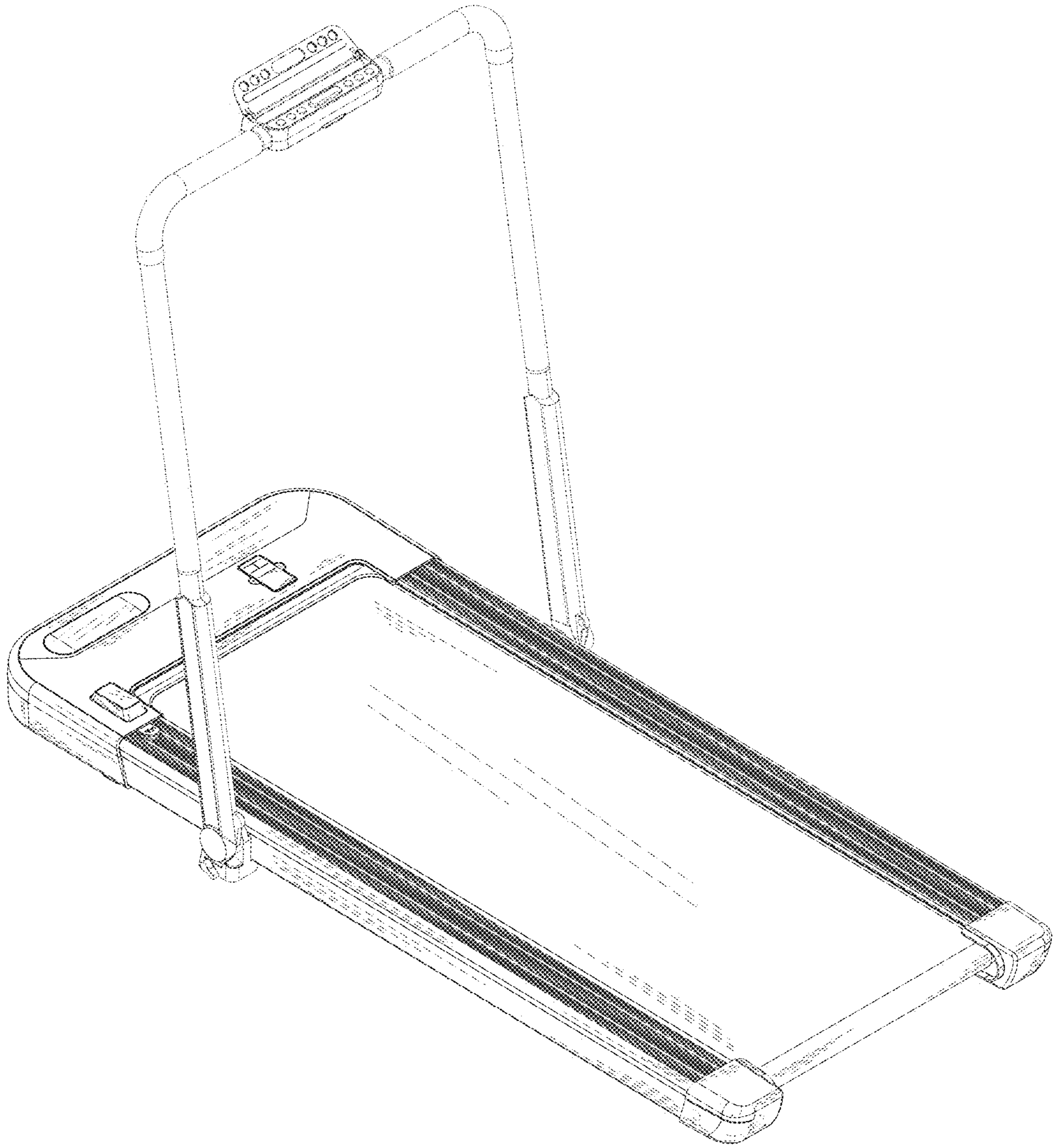


FIG. 6

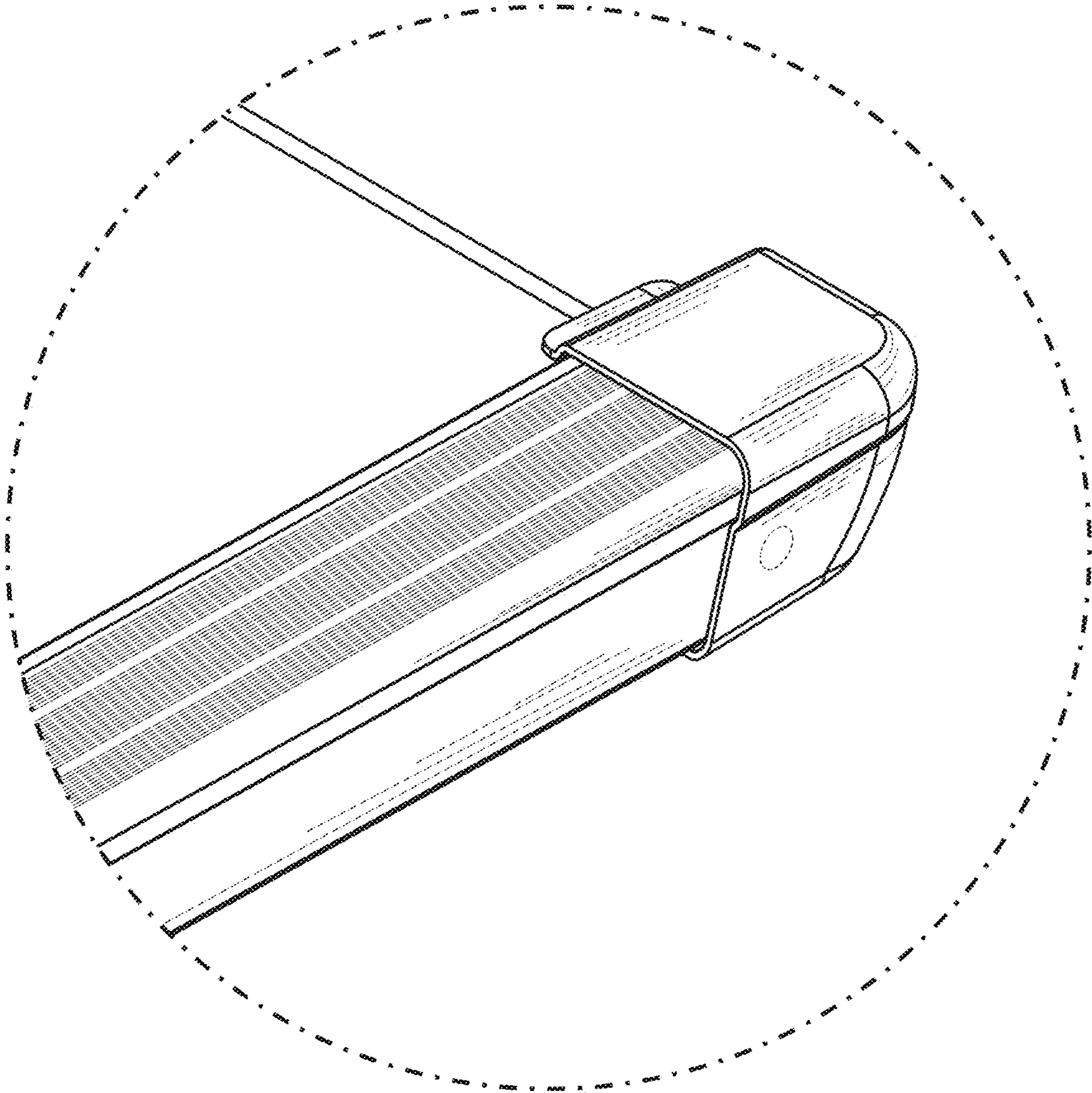


FIG. 7

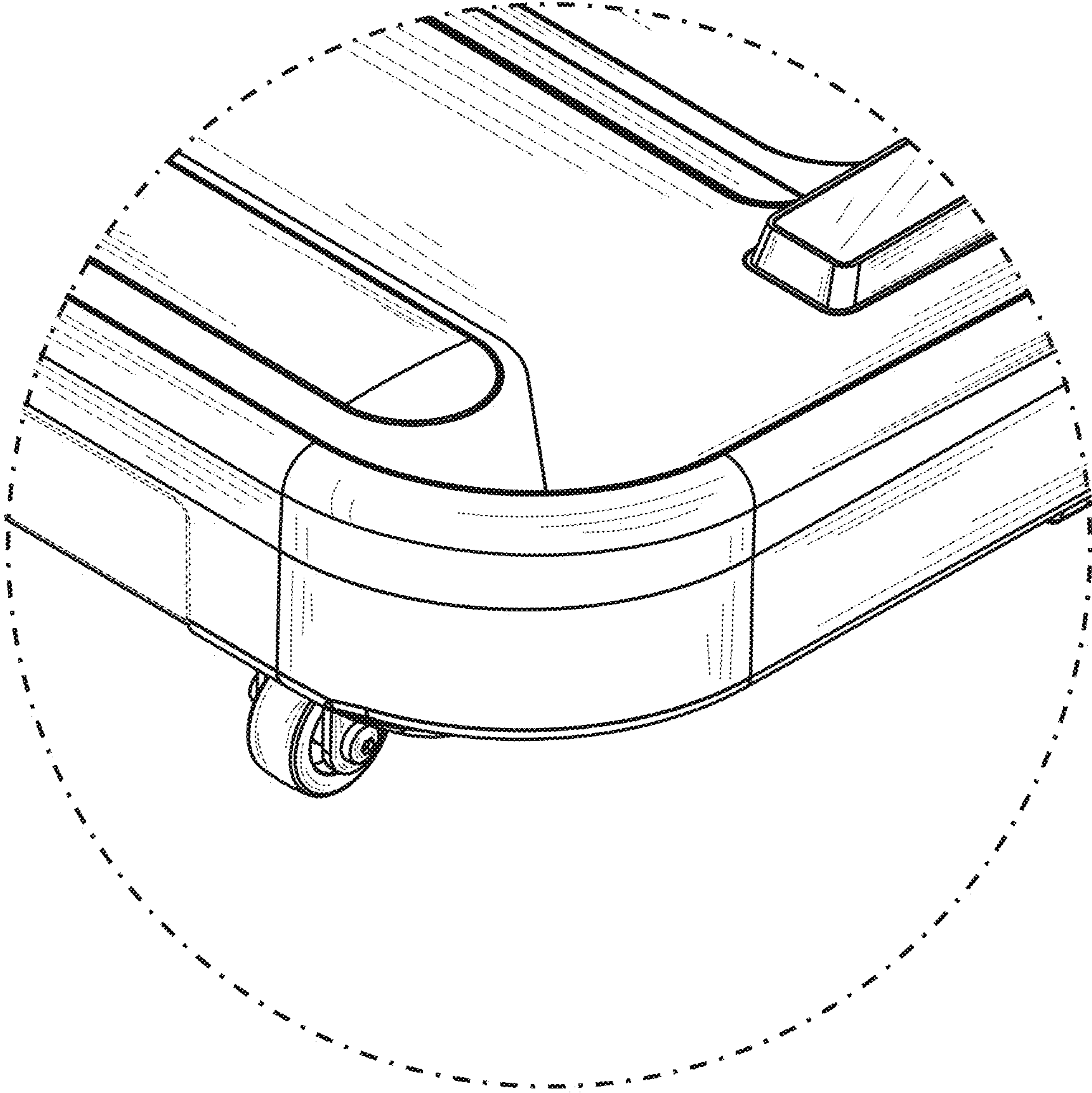


FIG. 8