



US00D952767S

(12) **United States Design Patent**
Lv

(10) **Patent No.:** **US D952,767 S**

(45) **Date of Patent:** **** May 24, 2022**

(54) **EXERCISE BICYCLE**

(71) Applicant: **Xuwei Lv**, Yongkang (CN)

(72) Inventor: **Xuwei Lv**, Yongkang (CN)

(**) Term: **15 Years**

(21) Appl. No.: **29/754,987**

(22) Filed: **Oct. 16, 2020**

(30) **Foreign Application Priority Data**

Jul. 24, 2020 (CN) 202030410195.3

(51) **LOC (13) Cl.** **21-02**

(52) **U.S. Cl.**
USPC **D21/663**

(58) **Field of Classification Search**
USPC D21/662, 686, 663, 666, 668, 670, 671,
D21/697, 667

See application file for complete search history.

(56) **References Cited**

U.S. PATENT DOCUMENTS

- 3,259,385 A * 7/1966 Boren A63B 22/0694
482/60
- 4,390,177 A * 6/1983 Biran A63B 21/1609
188/83
- D281,710 S * 12/1985 Kirby D21/663
- D282,478 S * 2/1986 Williams 482/60
- D460,988 S * 7/2002 Forvilly D21/663
- 7,618,354 B2 * 11/2009 Wu A63B 21/015
482/52
- D681,136 S * 4/2013 Liu D21/663
- 9,814,933 B1 * 11/2017 Balsley A63B 22/0007

- 9,889,337 B2 * 2/2018 Palmer A63B 21/1609
- 2005/0282687 A1 * 12/2005 Kazemi A63B 21/4015
482/57
- 2017/0025925 A1 * 1/2017 Wu F03G 5/06

OTHER PUBLICATIONS

Techmoo, announcement made 2019[online], [site visited Jan. 4, 2022]. Available on internet, URL:https://www.amazon.com/TECHMOO-Exercisers-Exerciser-Stationary-Equipment/dp/B07VLY6DV7/ref (Year: 2019).*

Vaunn store, announcement made 2018[online], [site visited Jan. 4, 2022]. Available on internet, URL:https://www.amazon.com/dp/B078WWQC5X/ref (Year: 2018).*

* cited by examiner

Primary Examiner — Khawaja Anwar

Assistant Examiner — Julice Seung Eun Oum

(57) **CLAIM**

The ornamental design for an exercise bicycle, as shown and described.

DESCRIPTION

FIG. 1 is a perspective view of an exercise bicycle showing my new design;

FIG. 2 is another perspective view thereof;

FIG. 3 is a front elevational view thereof;

FIG. 4 is a rear elevational view thereof;

FIG. 5 is a left side elevational view thereof;

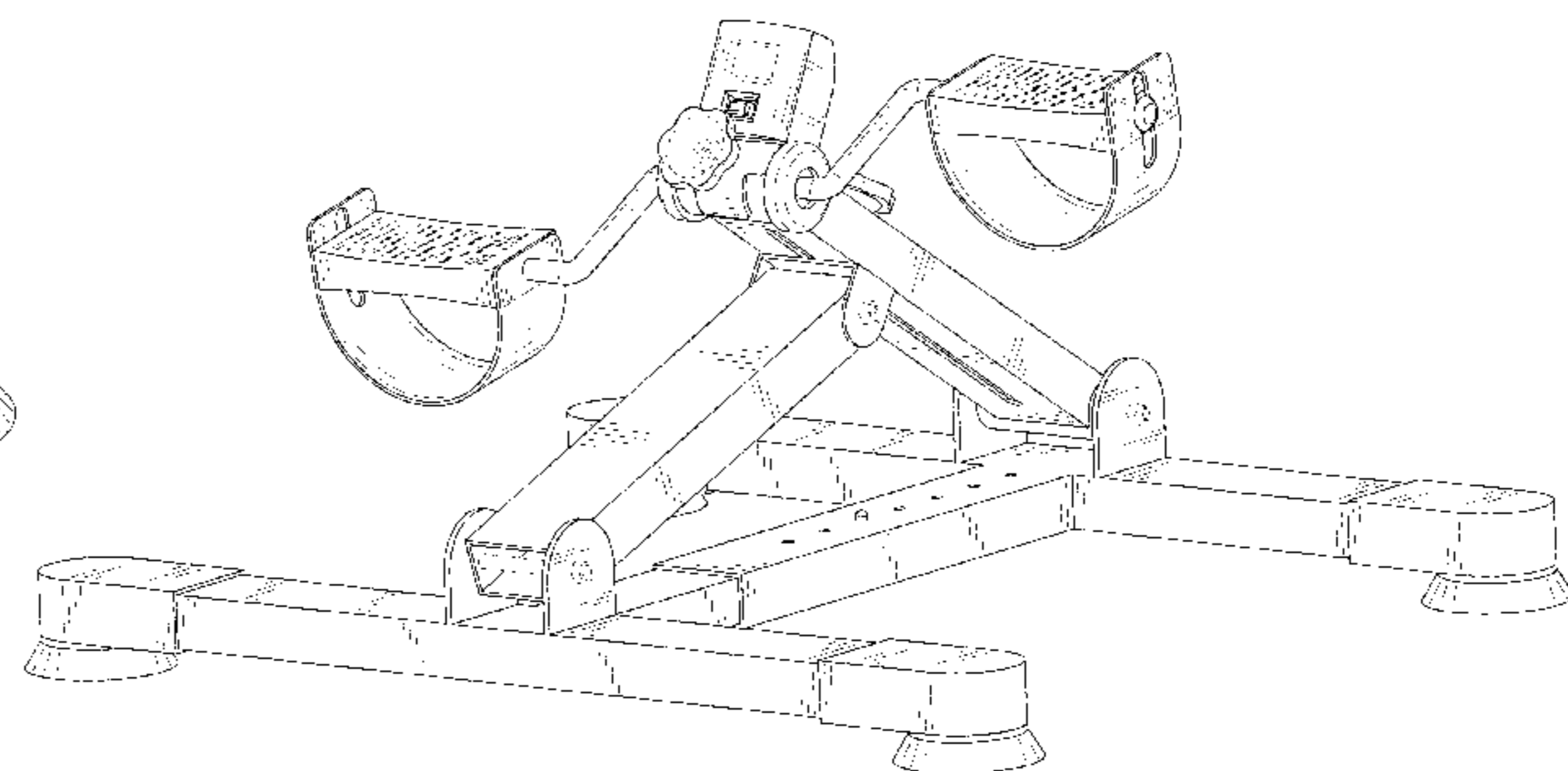
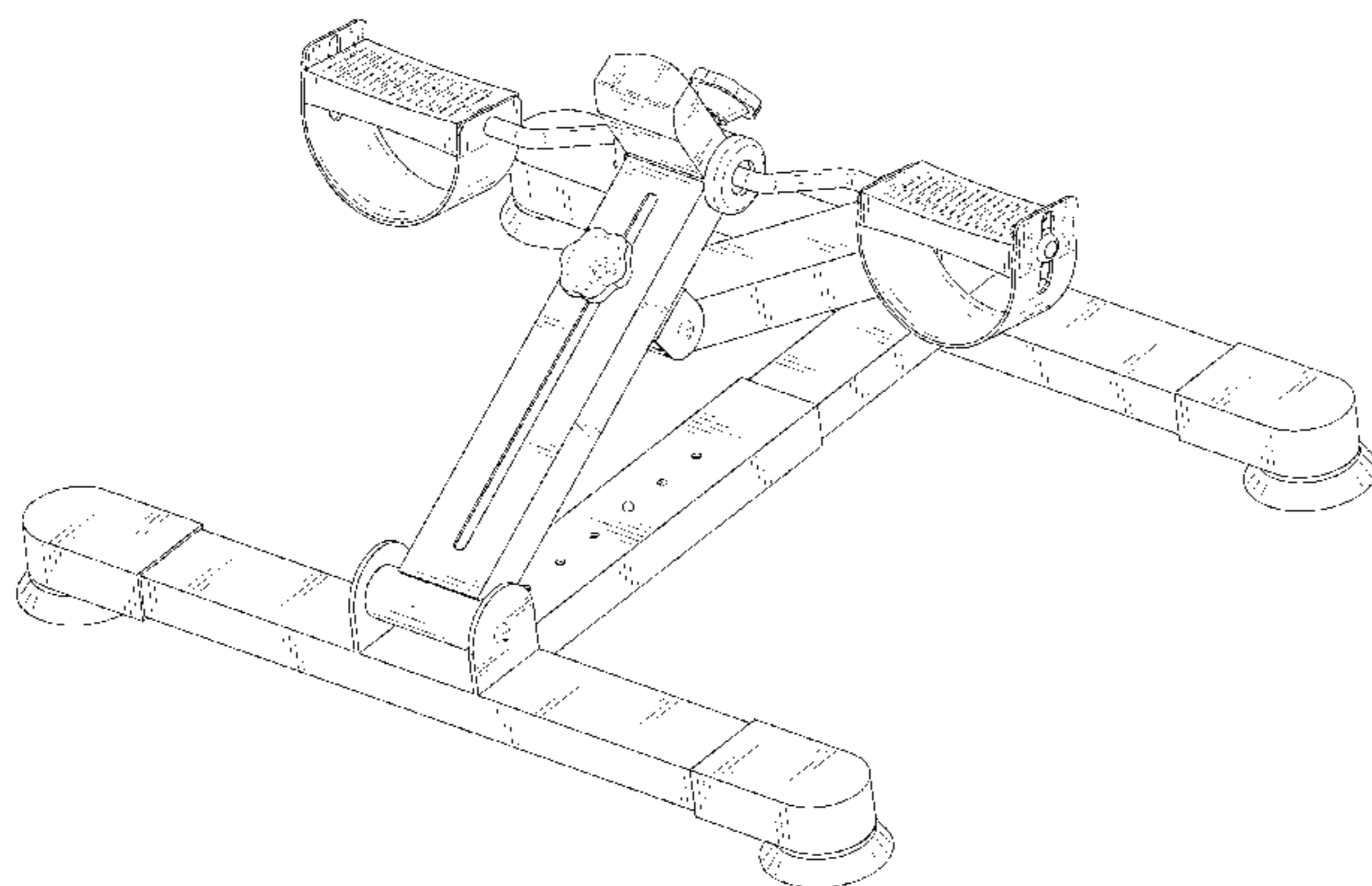
FIG. 6 is a right side elevational view thereof;

FIG. 7 is a top plan view thereof; and,

FIG. 8 is a bottom plan view thereof.

The broken lines in the drawings depict portions of the exercise bicycle that form no part of the claimed design.

1 Claim, 8 Drawing Sheets



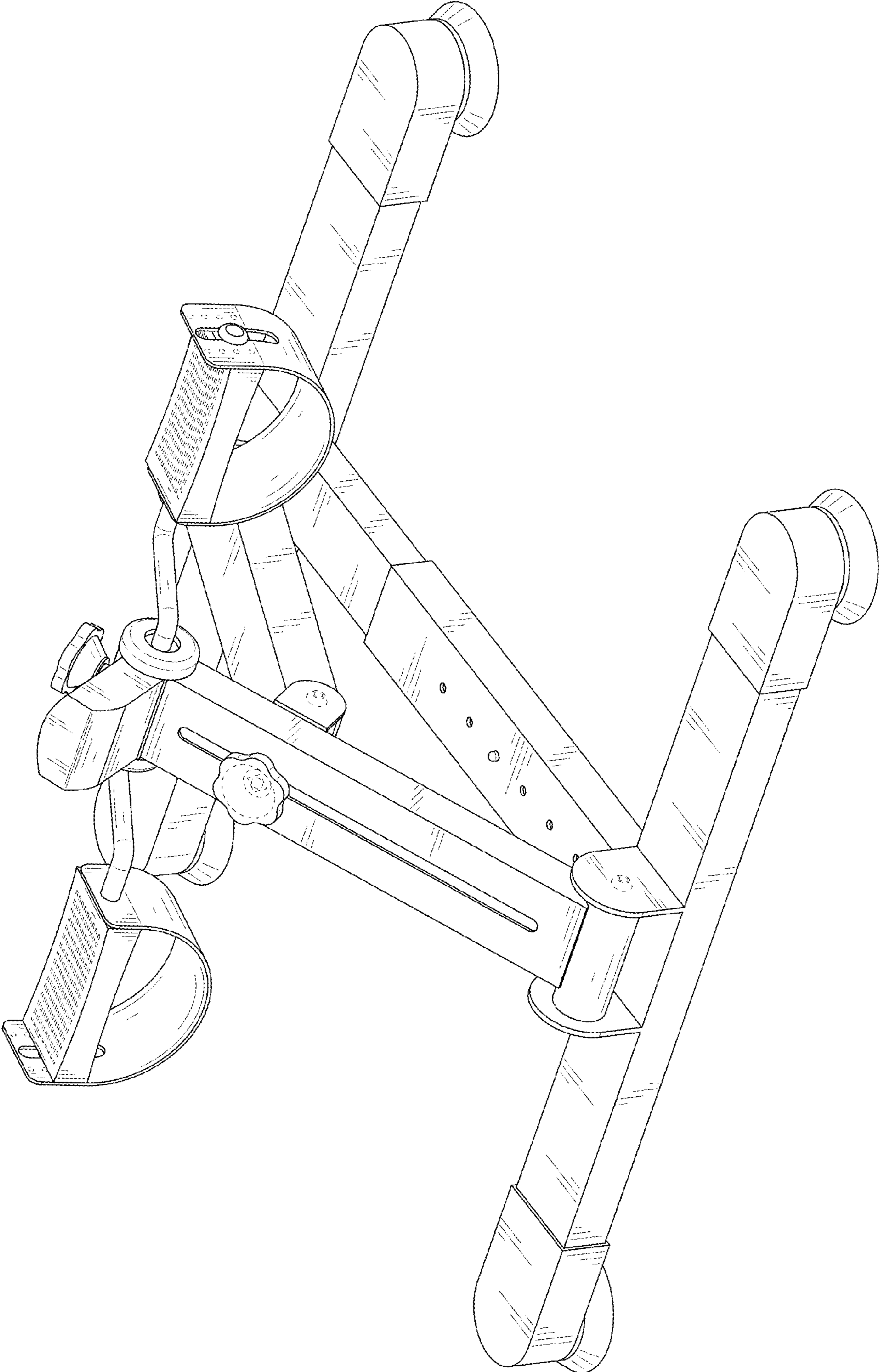


FIG. 1

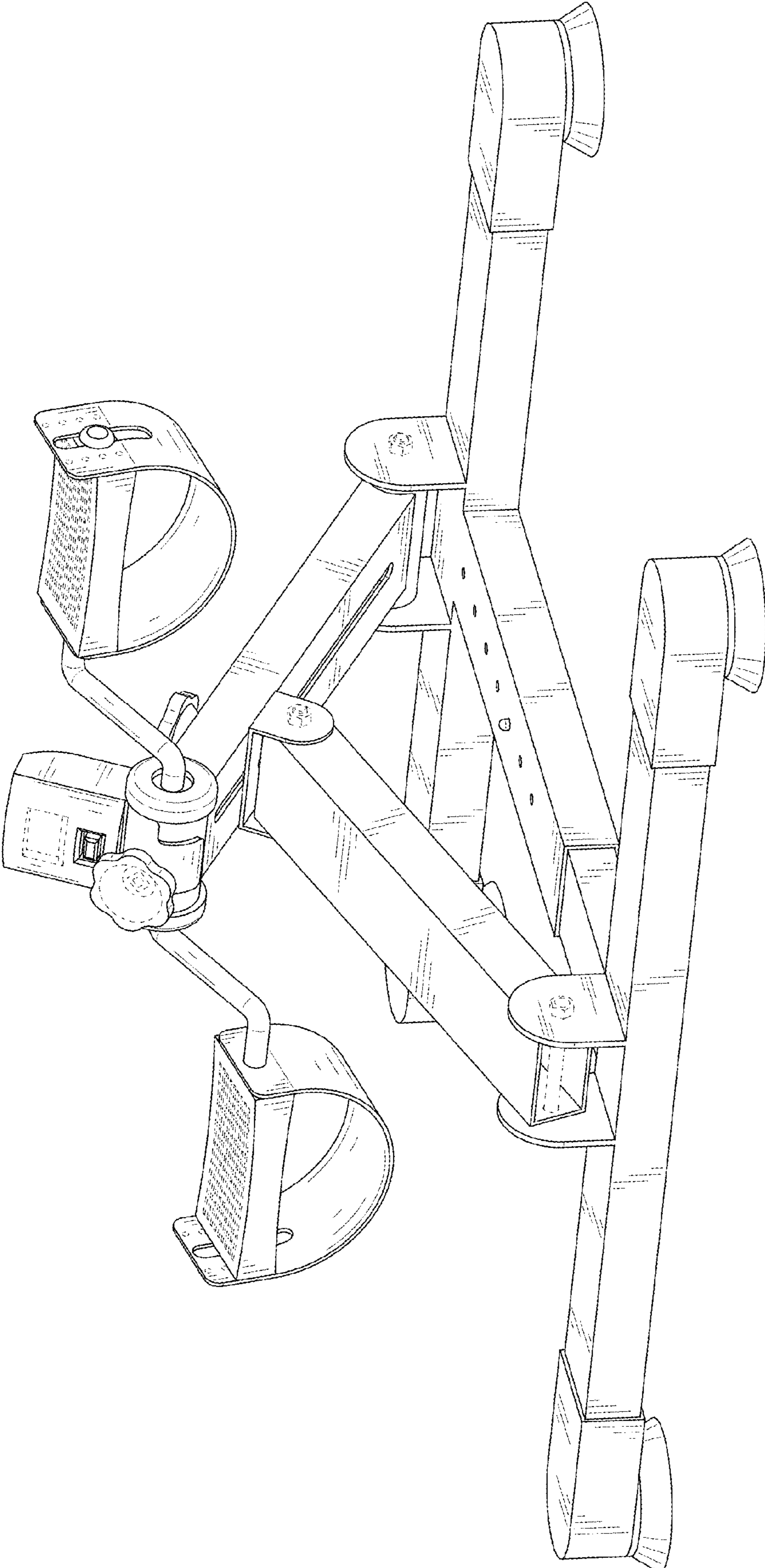


FIG. 2

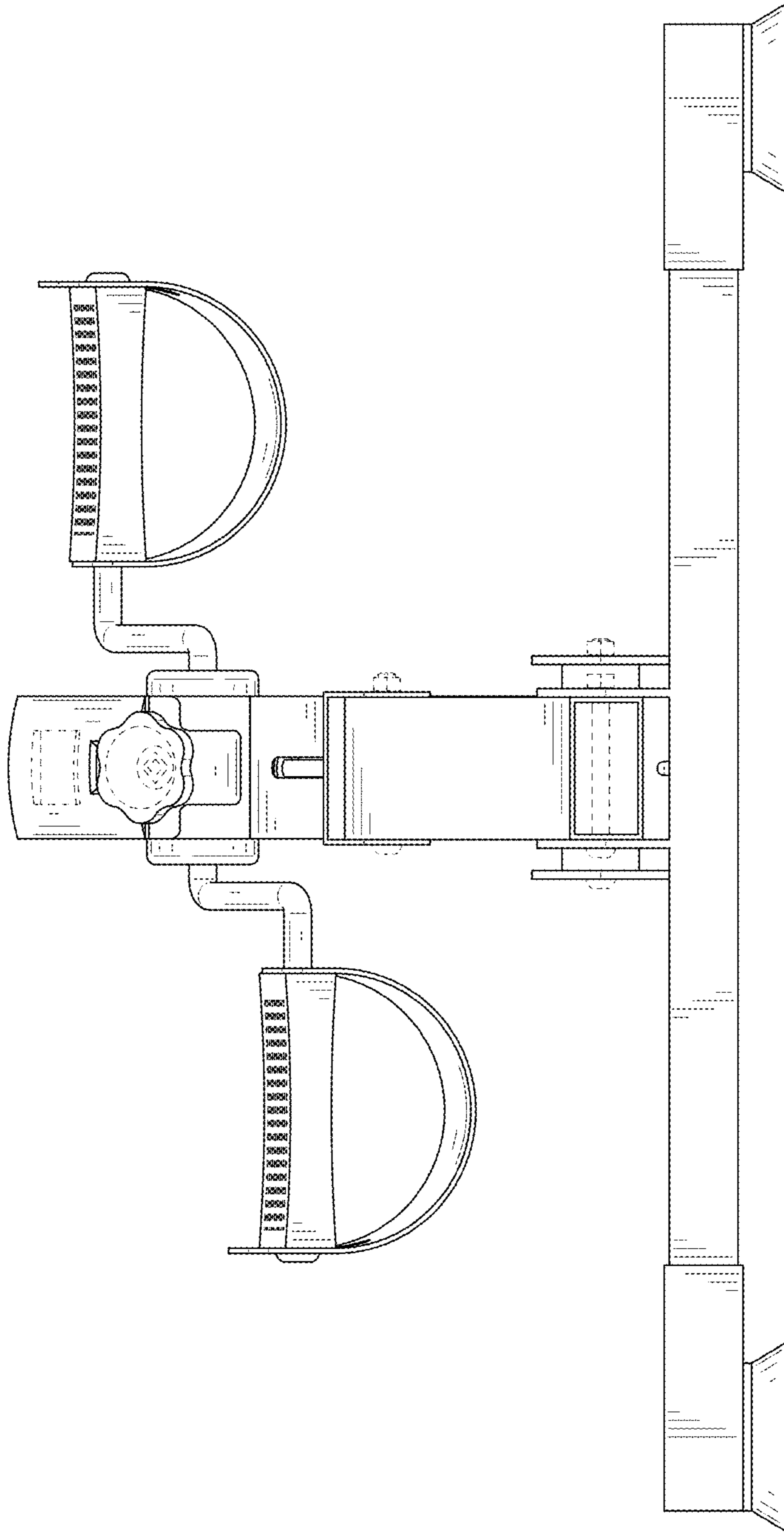


FIG. 3

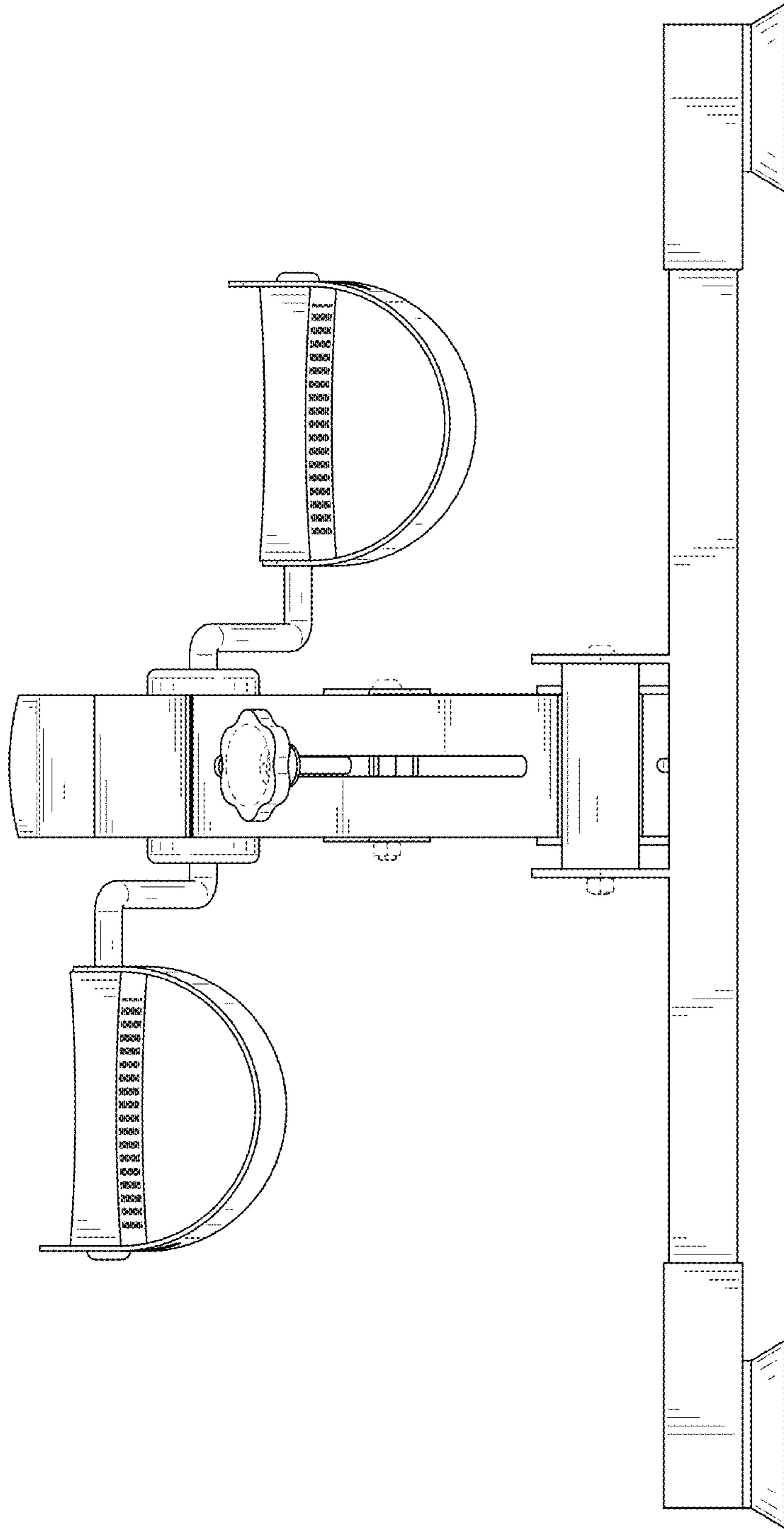


FIG. 4

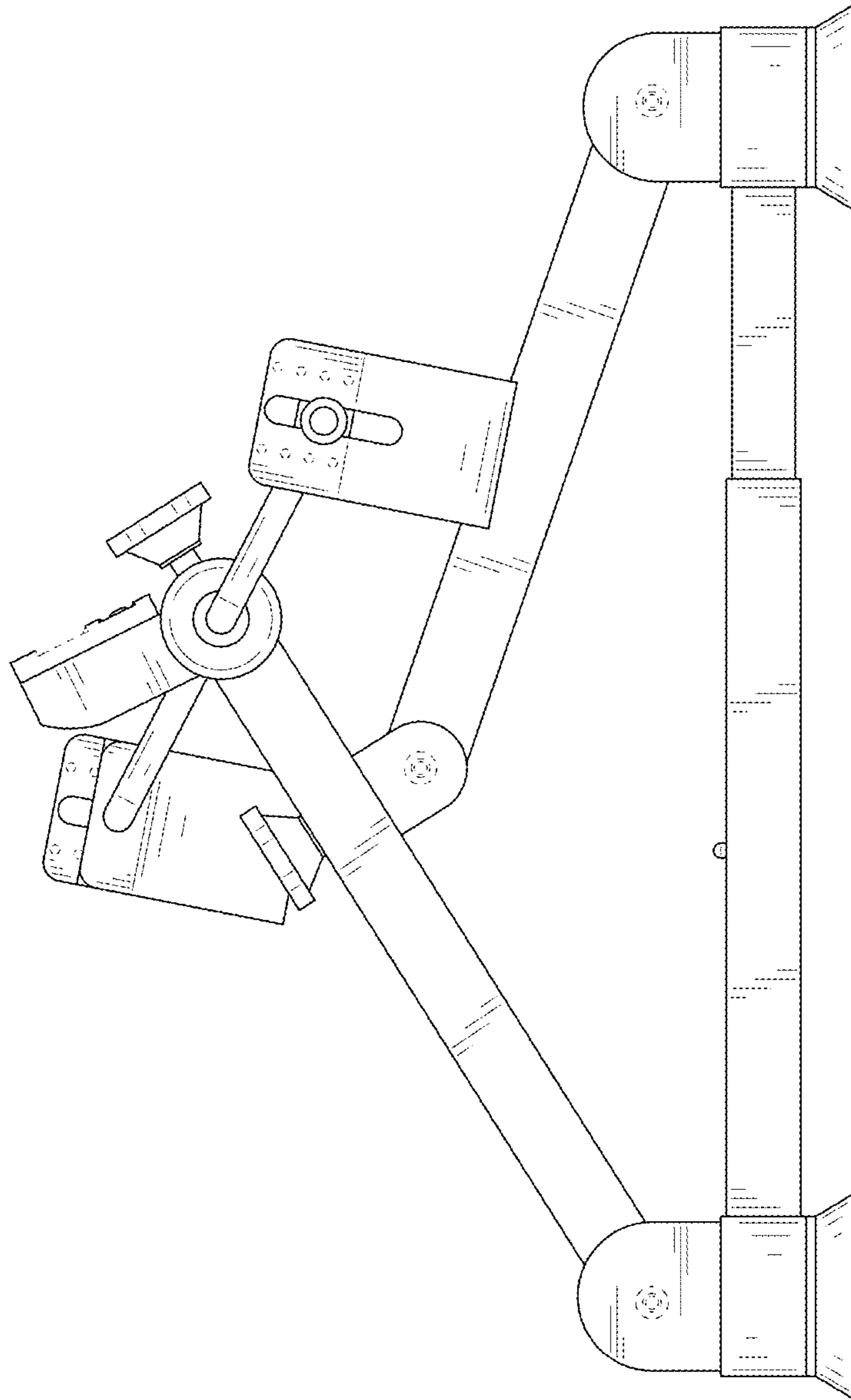


FIG. 5

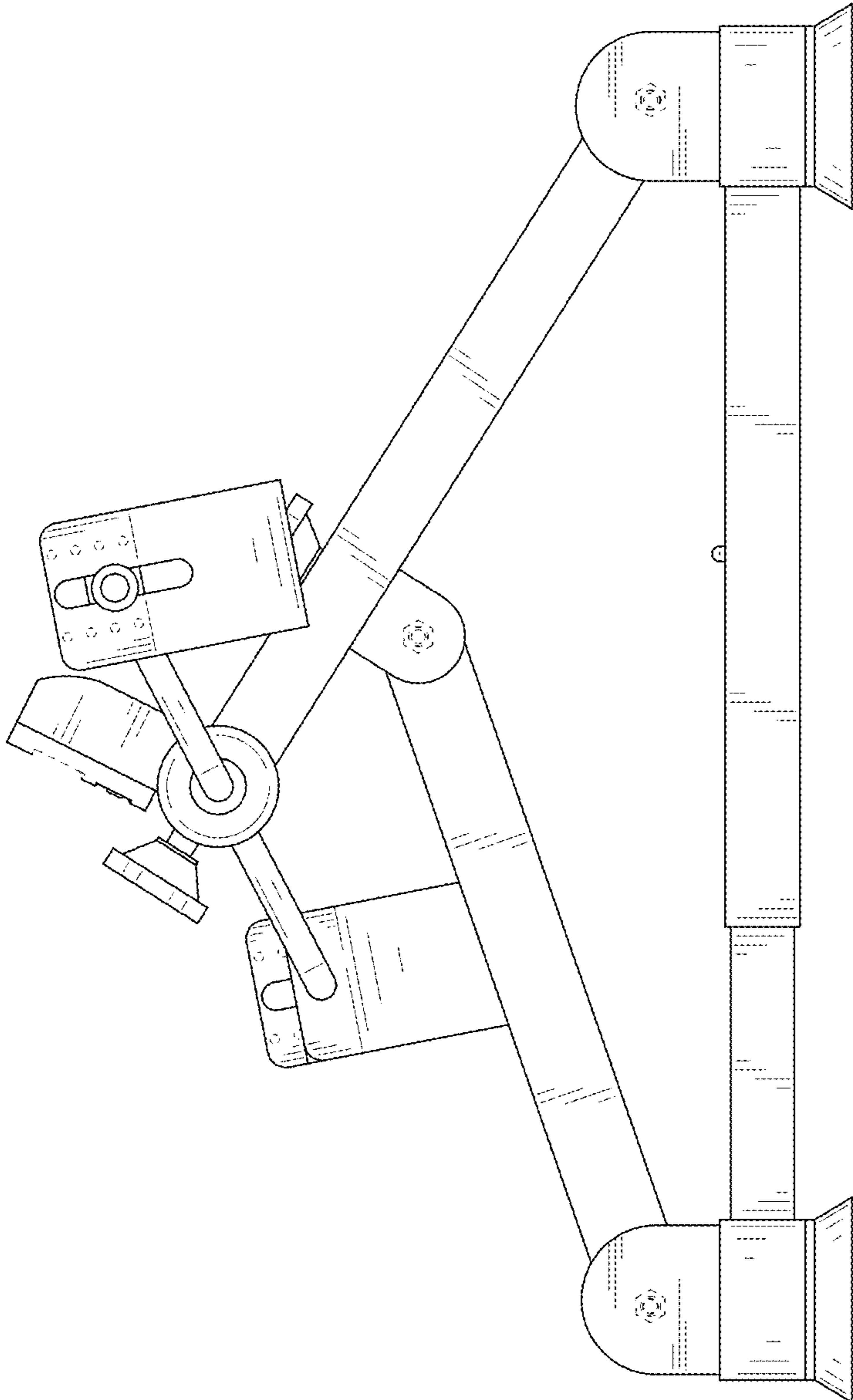


FIG. 6

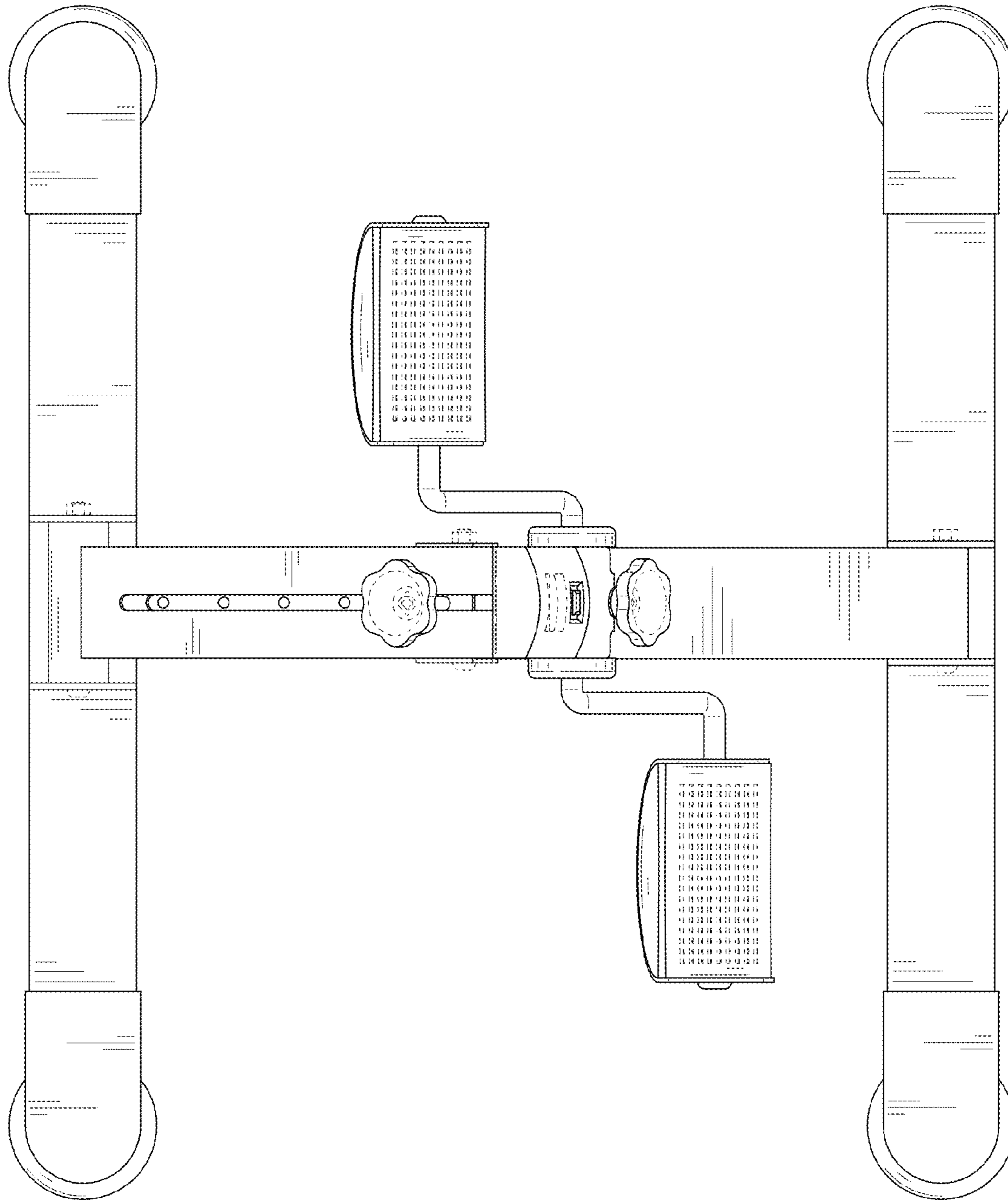


FIG. 7

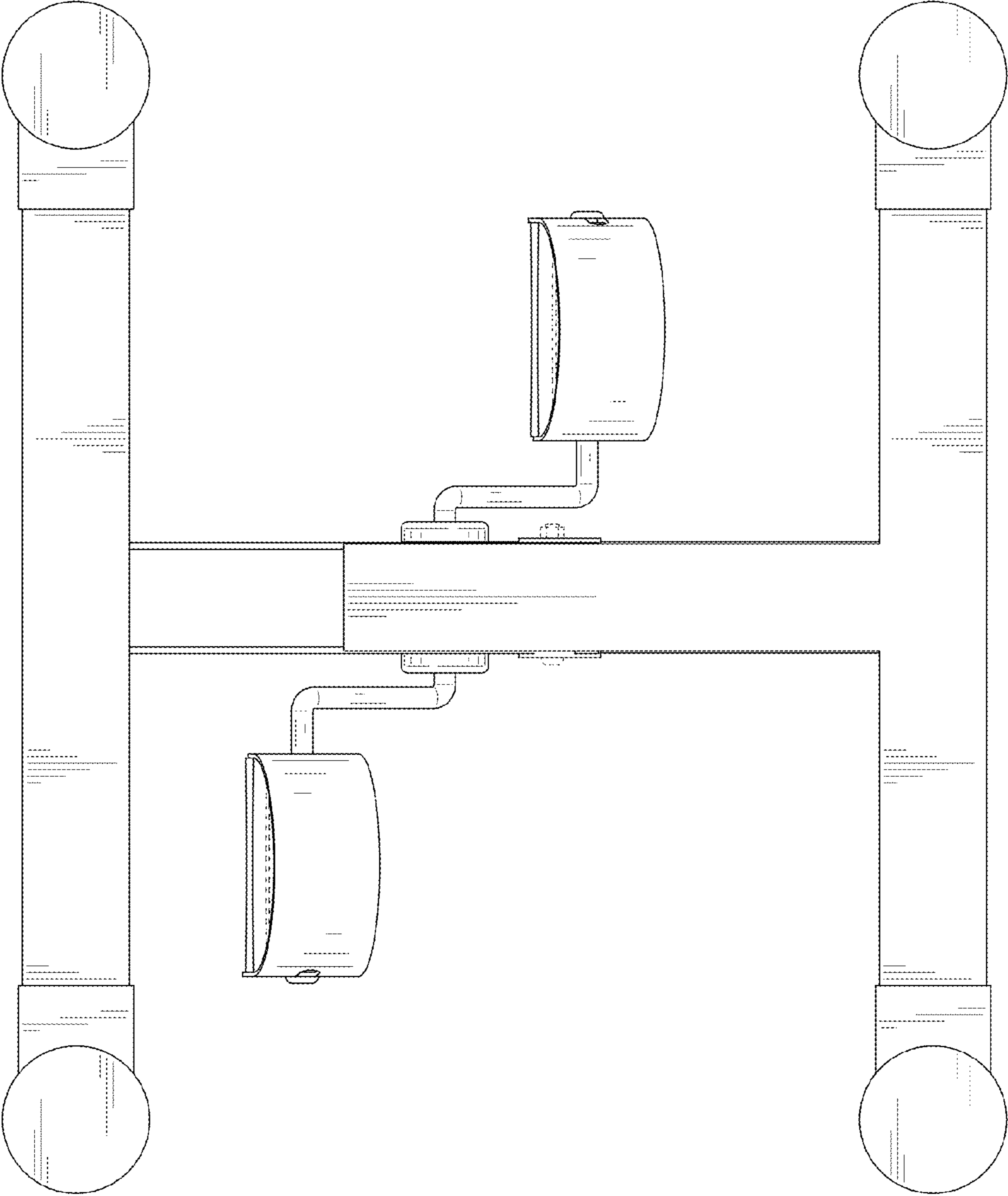


FIG. 8