



US00D952765S

(12) **United States Design Patent**  
**Khubani**

(10) **Patent No.:** **US D952,765 S**

(45) **Date of Patent:** **\*\* May 24, 2022**

(54) **TOY RACE TRACK GATE SEGMENT**

OTHER PUBLICATIONS

(71) Applicant: **Ontel Products Corporation**, Fairfield, NJ (US)

(72) Inventor: **Ashok Khubani**, Palm Beach Gardens, FL (US)

(73) Assignee: **Ontel Products Corporation**, Fairfield, NJ (US)

(\*\*) Term: **15 Years**

(21) Appl. No.: **29/732,981**

(22) Filed: **Apr. 29, 2020**

(51) **LOC (13) Cl.** ..... **21-01**

(52) **U.S. Cl.**  
USPC ..... **D21/564**

(58) **Field of Classification Search**  
USPC ..... D21/484, 493, 495, 509, 564, 565  
CPC ..... A63H 18/00; A63H 18/026; A63H 18/028  
See application file for complete search history.

(56) **References Cited**

U.S. PATENT DOCUMENTS

D306,466 S	3/1990	Elliott et al.	
D344,104 S *	2/1994	Yen	D21/564
D633,963 S *	3/2011	Jehart	D21/706
D637,247 S *	5/2011	Jehart	D21/706
D852,293 S *	6/2019	Slider	D21/706
D852,294 S *	6/2019	Slider	D21/706
D852,295 S *	6/2019	Slider	D21/706
D852,296 S *	6/2019	Slider	D21/706
D852,910 S *	7/2019	Slider	D21/706
D853,499 S *	7/2019	Kamiyama	D21/564
D898,838 S *	10/2020	Chen	D21/564
D945,537 S *	3/2022	Gil	D21/565

Tracer Racers Speedway Digital Lap Counter Add On Module for R/C, Nov. 17, 2019, amazon.ca, Mar. 28, 2022, URL: <https://www.amazon.ca/Tracer-Racers-Speedway-Digital-Counter/dp/B07YJH7C36/> (Year: 2019).\*

Disney/Pixar Cars Wheel Action Drivers Race & Win Playset, Nov. 1, 2016, amazon.ca, Mar. 28, 2022, URL: <https://www.amazon.ca/Disney-Pixar-Action-Drivers-Playset/dp/B01CNS08HC/> (Year: 2016).\*

Hot Wheels Track Pack Accessory, Aug. 24, 2018, amazon.ca, Mar. 28, 2022, URL: <https://www.amazon.ca/Hot-Wheels-Straight-Vehicle-Multicolor/dp/B07D45QV9P/> (Year: 2018).\*

\* cited by examiner

*Primary Examiner* — Jack Reickel

*Assistant Examiner* — Keith J Wilson

(74) *Attorney, Agent, or Firm* — Dickinson Wright PLLC

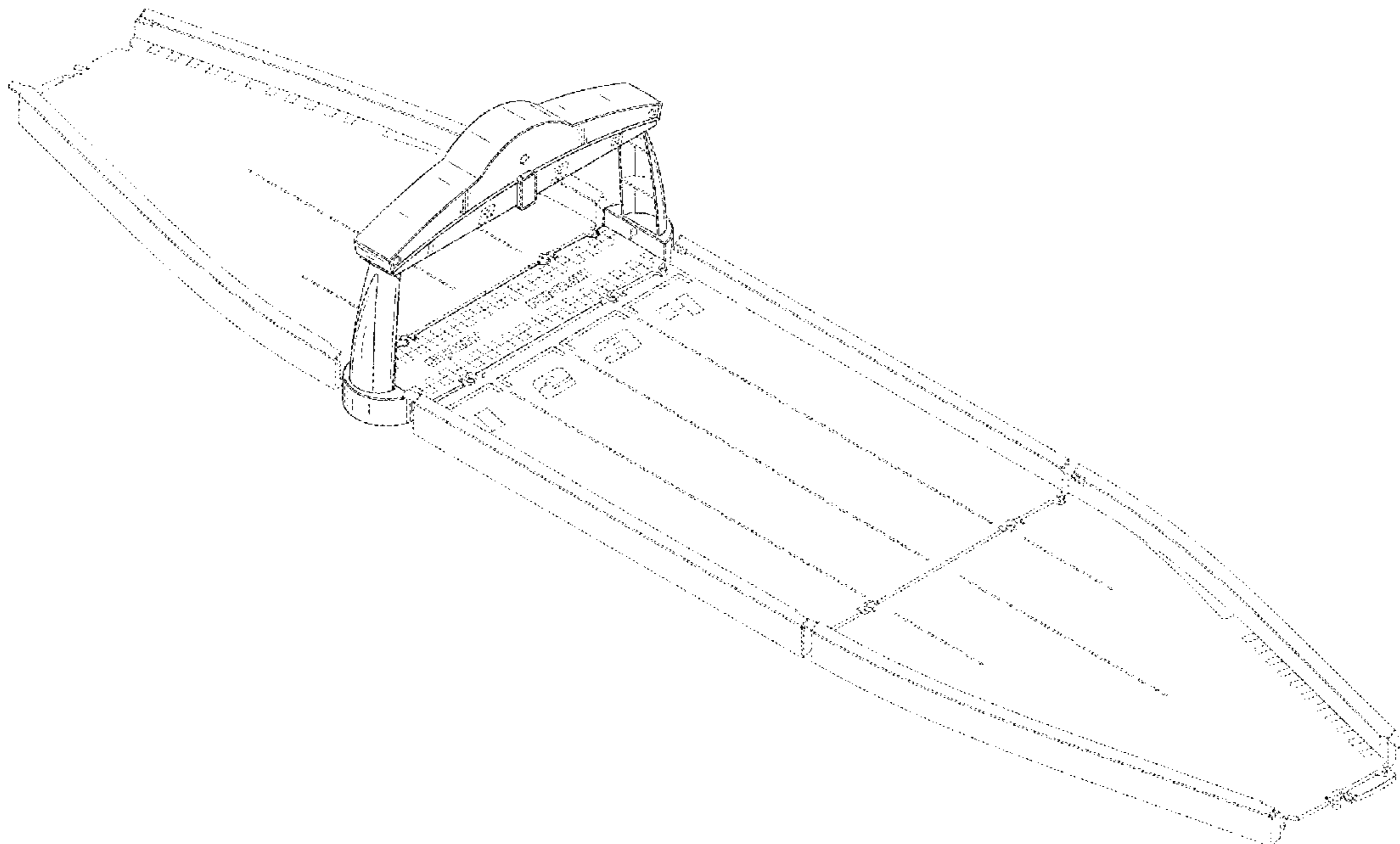
(57) **CLAIM**

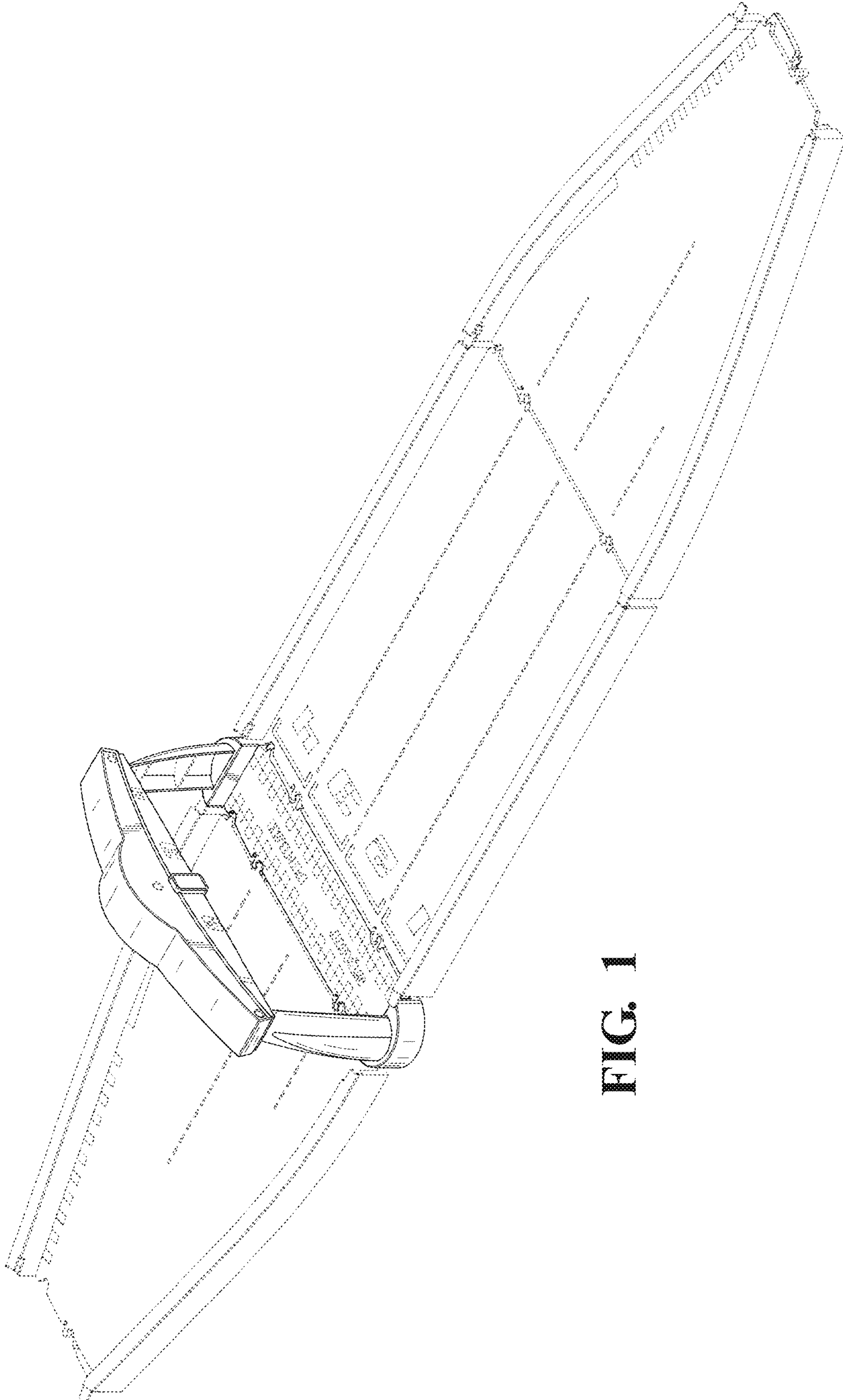
The ornamental design for a toy race track gate segment, as shown and described.

**DESCRIPTION**

FIG. 1 is a top, front perspective view of the toy race track gate segment, showing my new design;  
FIG. 2 is a front view of the toy race track gate segment;  
FIG. 3 is a rear view of the toy race track gate segment;  
FIG. 4 is a top view of the toy race track gate segment;  
FIG. 5 is a bottom view of the toy race track gate segment;  
FIG. 6 is a right side view of the toy race track gate segment;  
and,  
FIG. 7 is a left side view of the toy race track gate segment.  
The broken lines in the drawings illustrate environment and portions of the toy race track gate segment that form no part of the claimed design.

**1 Claim, 4 Drawing Sheets**





**FIG. 1**

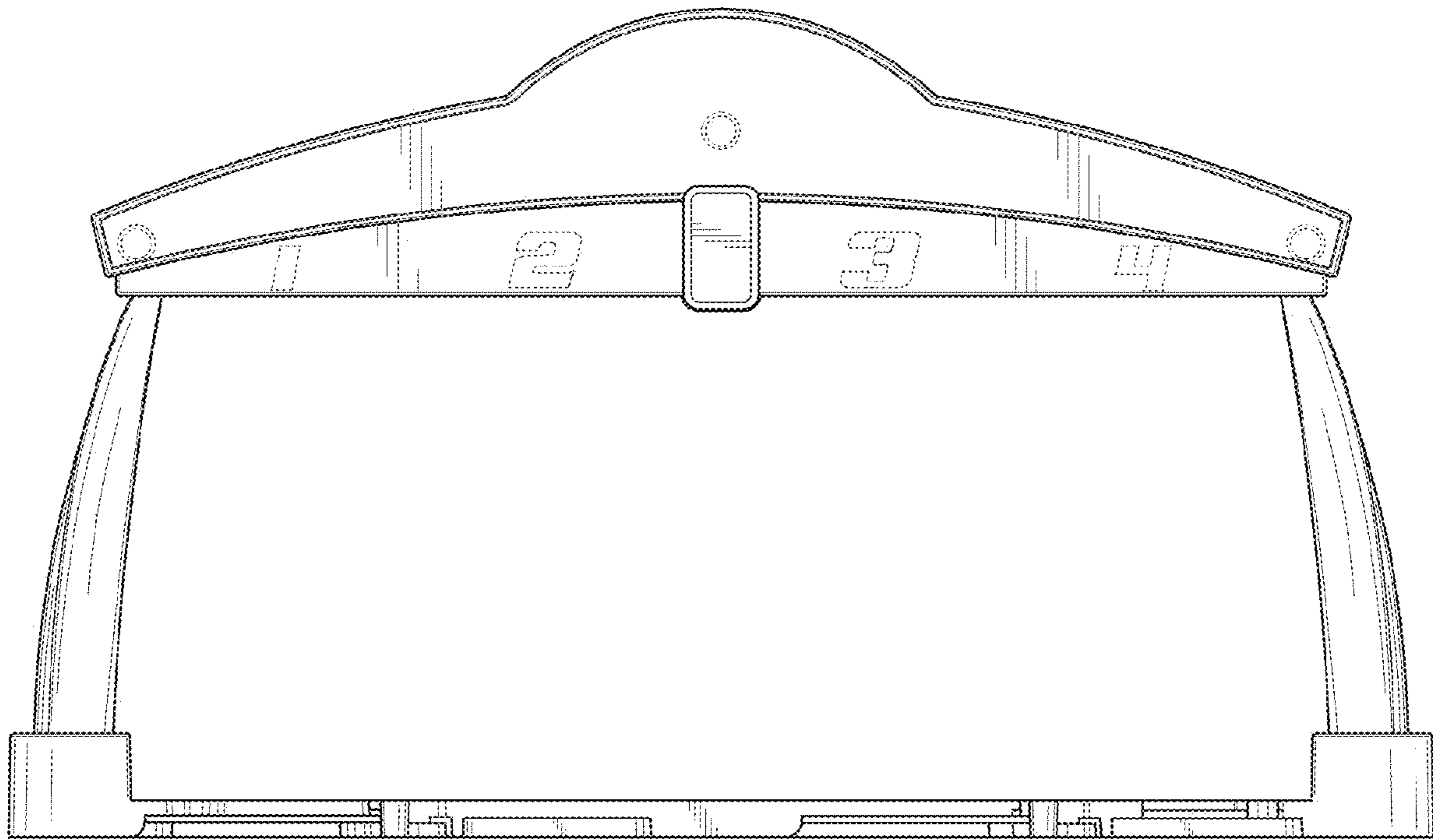


FIG. 2

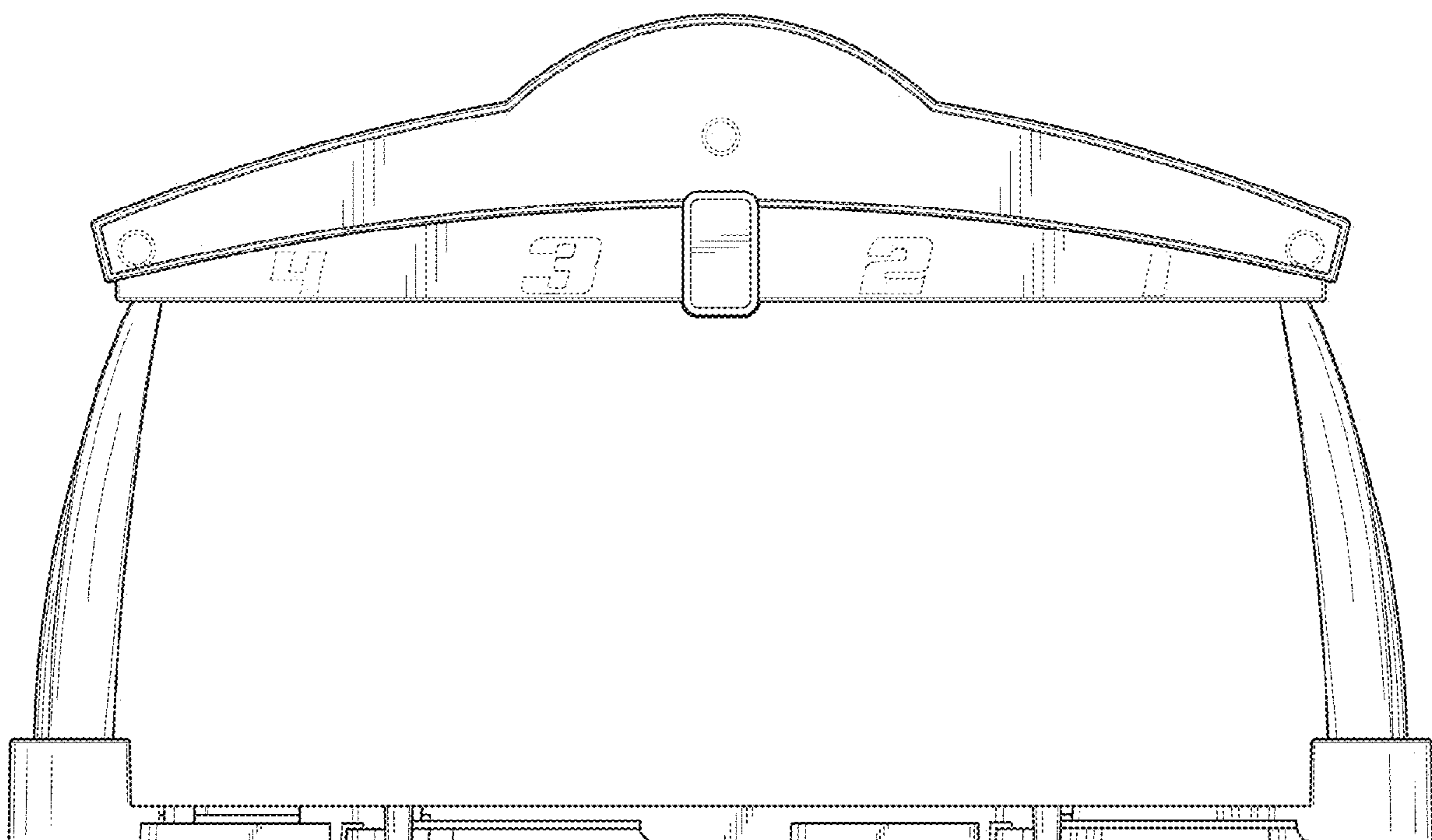
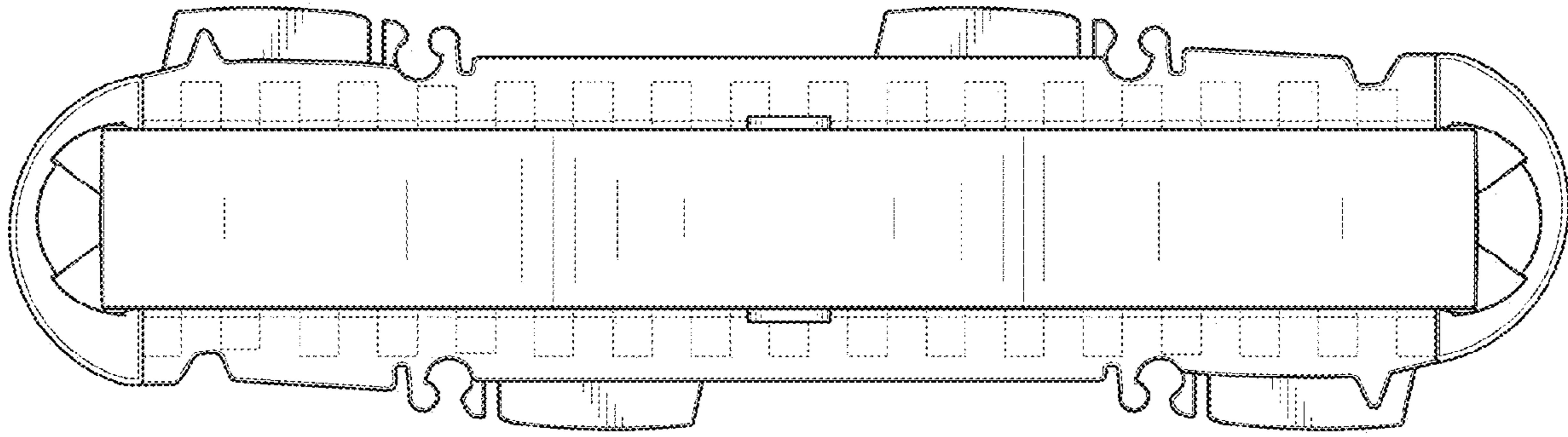
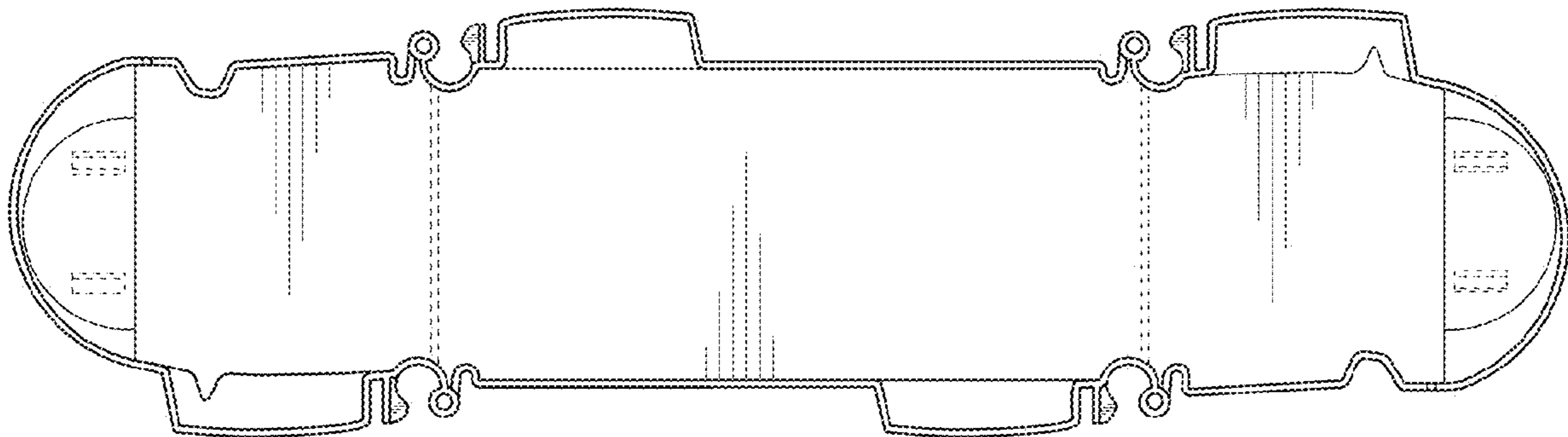


FIG. 3

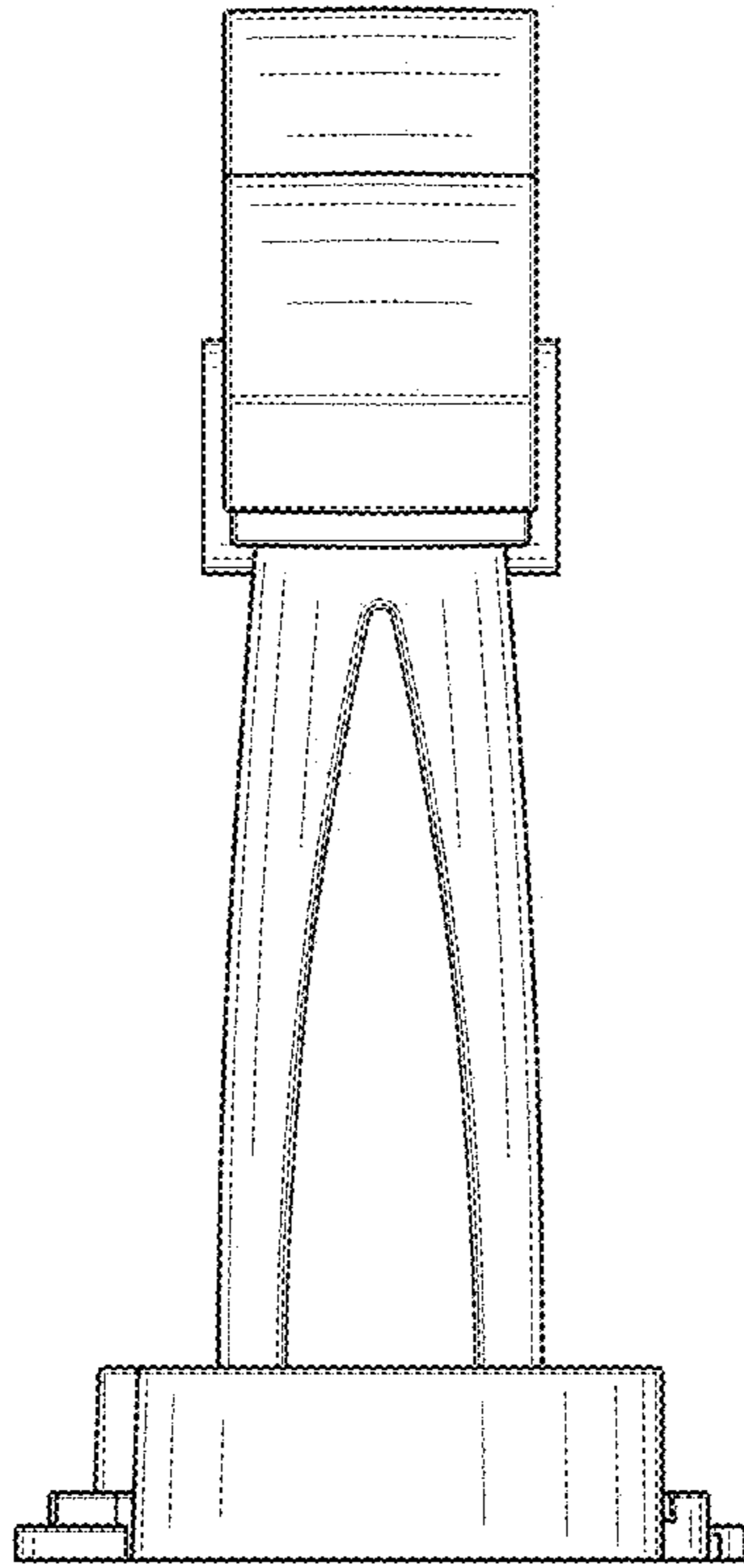




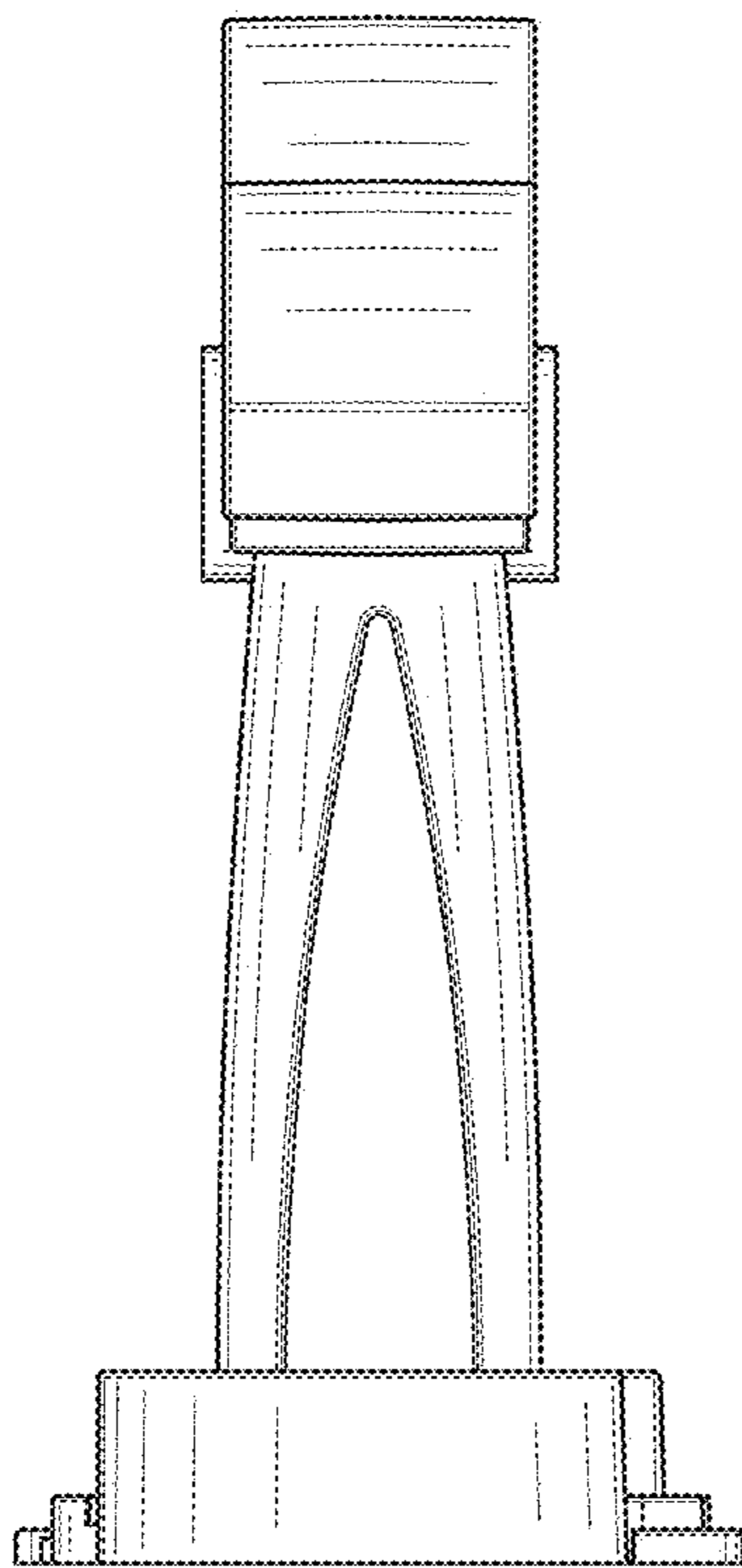
**FIG. 4**



**FIG. 5**



**FIG. 6**



**FIG. 7**