



US00D952762S

(12) **United States Design Patent**
Shen

(10) **Patent No.:** **US D952,762 S**

(45) **Date of Patent:** **** May 24, 2022**

(54) **REMOTE CONTROL CAR**

(71) Applicant: **Shantou Chenghai Zhongyi Toys Industrial Co., Ltd.**, Guangdong (CN)

(72) Inventor: **Hongsheng Shen**, Guangdong (CN)

(73) Assignee: **Shantou Chenghai Zhongyi Toys Industrial Co., Ltd.**, Guangdong (CN)

(**) Term: **15 Years**

(21) Appl. No.: **29/785,340**

(22) Filed: **May 25, 2021**

(51) **LOC (13) Cl.** **21-01**

(52) **U.S. Cl.**
USPC **D21/548**

(58) **Field of Classification Search**
USPC D21/533, 548, 549, 550, 561, 562, 580, D21/581
CPC A63H 30/00; A63H 30/04
See application file for complete search history.

(56) **References Cited**

U.S. PATENT DOCUMENTS

D362,280	S *	9/1995	George	D21/550
5,727,985	A *	3/1998	George	A63H 17/004 446/470
6,095,890	A *	8/2000	George	A63H 17/004 446/470
7,234,992	B2 *	6/2007	Weiss	A63H 17/28 446/454
D825,684	S	8/2018	Gan		
D871,512	S	12/2019	Cai		
D938,528	S *	12/2021	Lin	D21/548
D939,637	S *	12/2021	Wang	D21/533
D941,400	S *	1/2022	Xu	D21/533
2004/0092206	A1 *	5/2004	Lynders	A63H 30/04 446/427
2011/0021112	A1 *	1/2011	Suzuki	A63H 17/262 446/465
2014/0221111	A1 *	8/2014	Picolet	A63H 18/00 472/89

OTHER PUBLICATIONS

ERollDeep Remote Control Car, Reviewed and available online as early as Nov. 17, 2020 [online], [site visited Mar. 11, 2022]. Available from Internet: <URL:https://www.amazon.com/ERollDeep-Multi-Directional-Dual-Color-Headlights-Rechargeable/dp/B08FBXRPB3/> (Year: 2020).*

(Continued)

Primary Examiner — Cynthia M. Chin

(74) *Attorney, Agent, or Firm* — ScienBiziP, P.C.

(57) **CLAIM**

The ornamental design for a remote control car, as shown and described.

DESCRIPTION

FIG. 1 is a front, left, and top perspective view of a remote control car, showing my design.

FIG. 2 is a rear, right, and bottom perspective view thereof.

FIG. 3 is a front elevation view thereof.

FIG. 4 is a rear elevation view thereof.

FIG. 5 is a left side elevation view thereof.

FIG. 6 is a right side elevation view thereof.

FIG. 7 is a top plan view thereof.

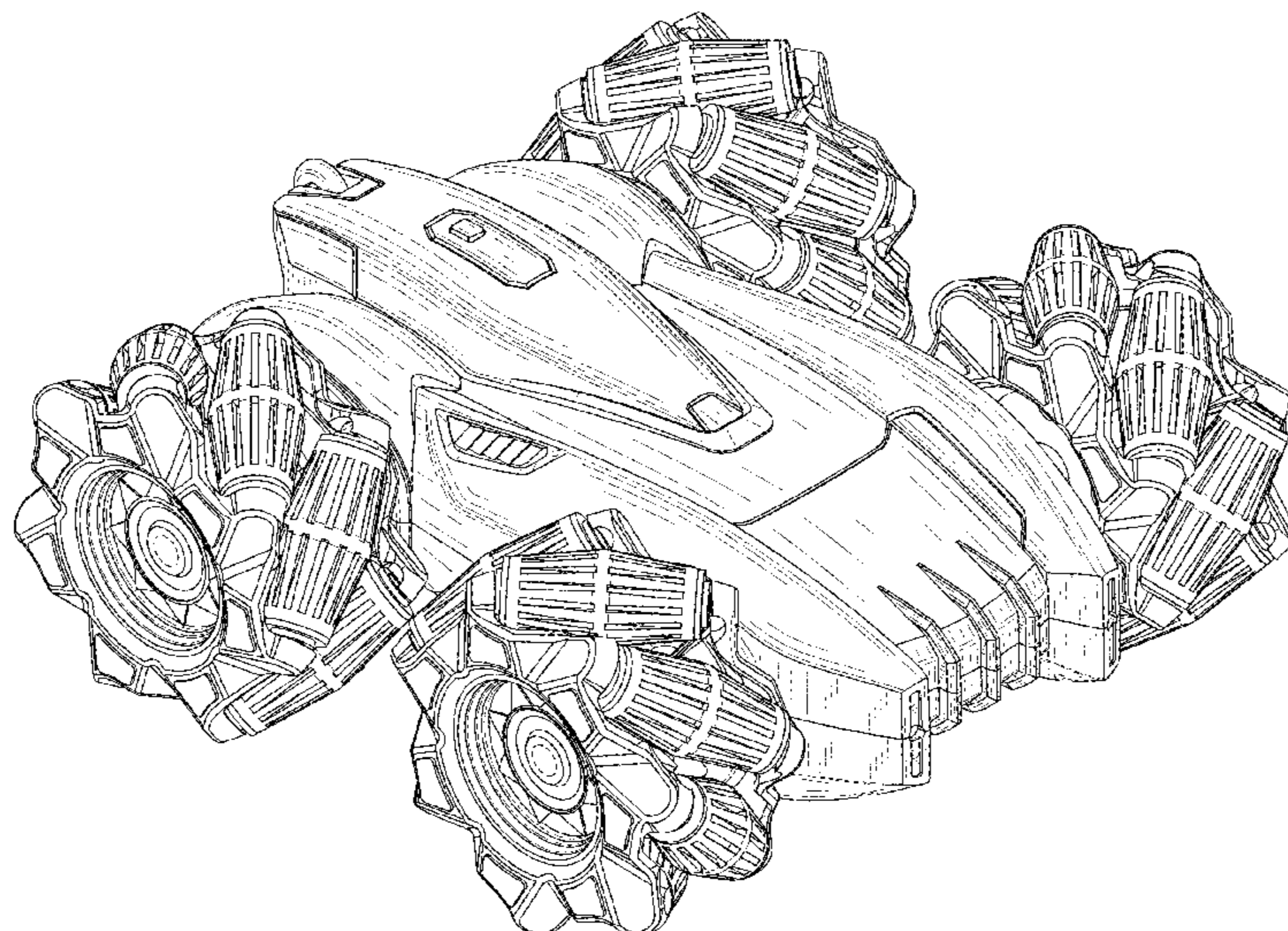
FIG. 8 is a bottom plan view thereof.

FIG. 9 is a partial enlarged view of FIG. 1 comprising a wheel of the remote control car; and,

FIG. 10 is a partial enlarged view of FIG. 1 comprising a fender of the remote control car.

The dash-dot broken lines represent the boundaries of the enlarged partial views of FIGS. 9 & 10. All other broken lines represent portions of the remote control car that form no part of the claimed design. None of the broken lines form a part of the claim.

1 Claim, 10 Drawing Sheets



(56)

References Cited

OTHER PUBLICATIONS

WomToy Kids Remote Control Car, Reviewed and available online as early as Aug. 7, 2020 [online], [site visited Mar. 11, 2022]. Available from Internet: <URL:<https://www.amazon.com/WomToy-Control-Climbing-Headlights-Birthday/dp/B086DDBGXR/>> (Year: 2020).*

* cited by examiner

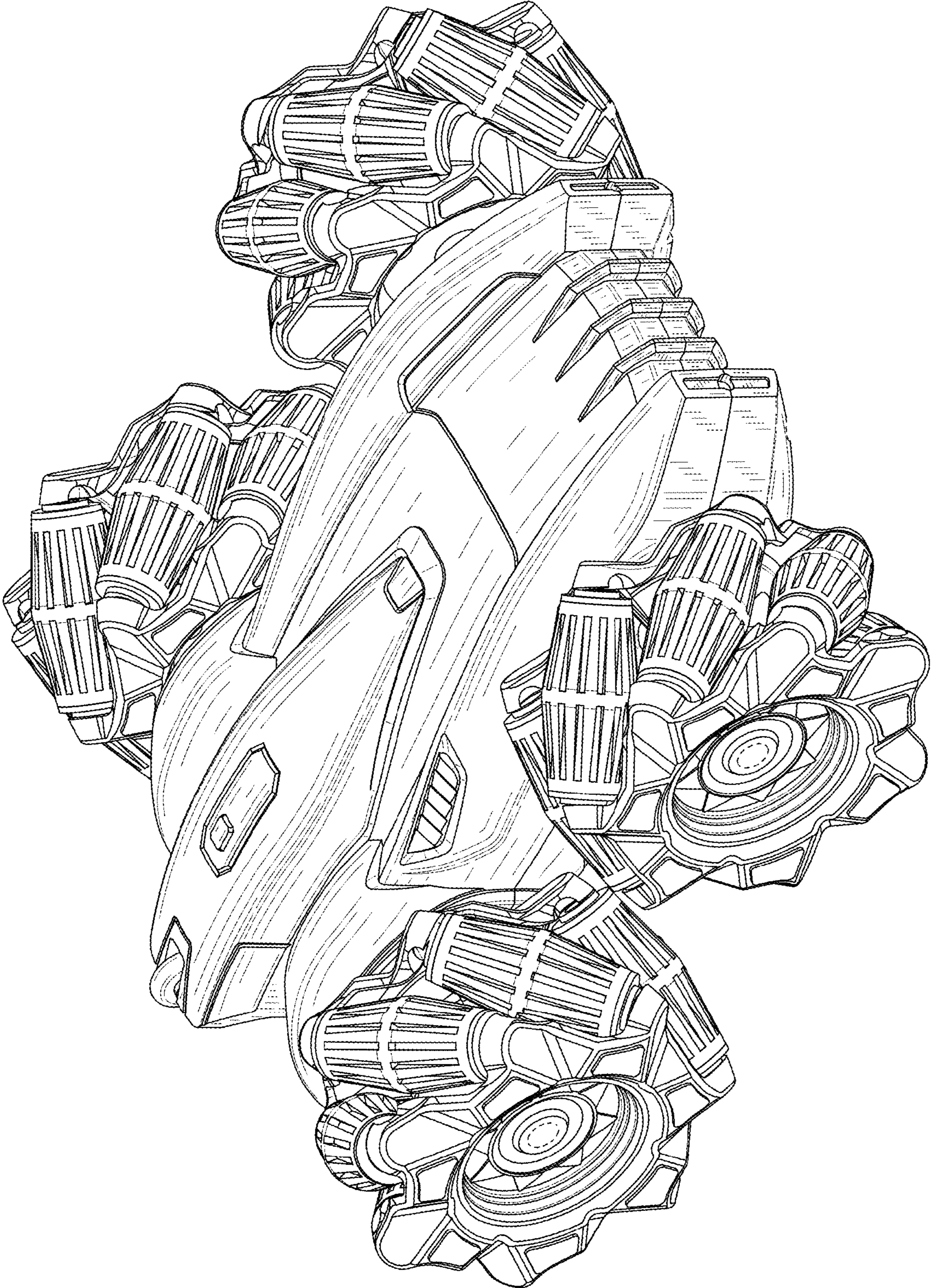


FIG. 1

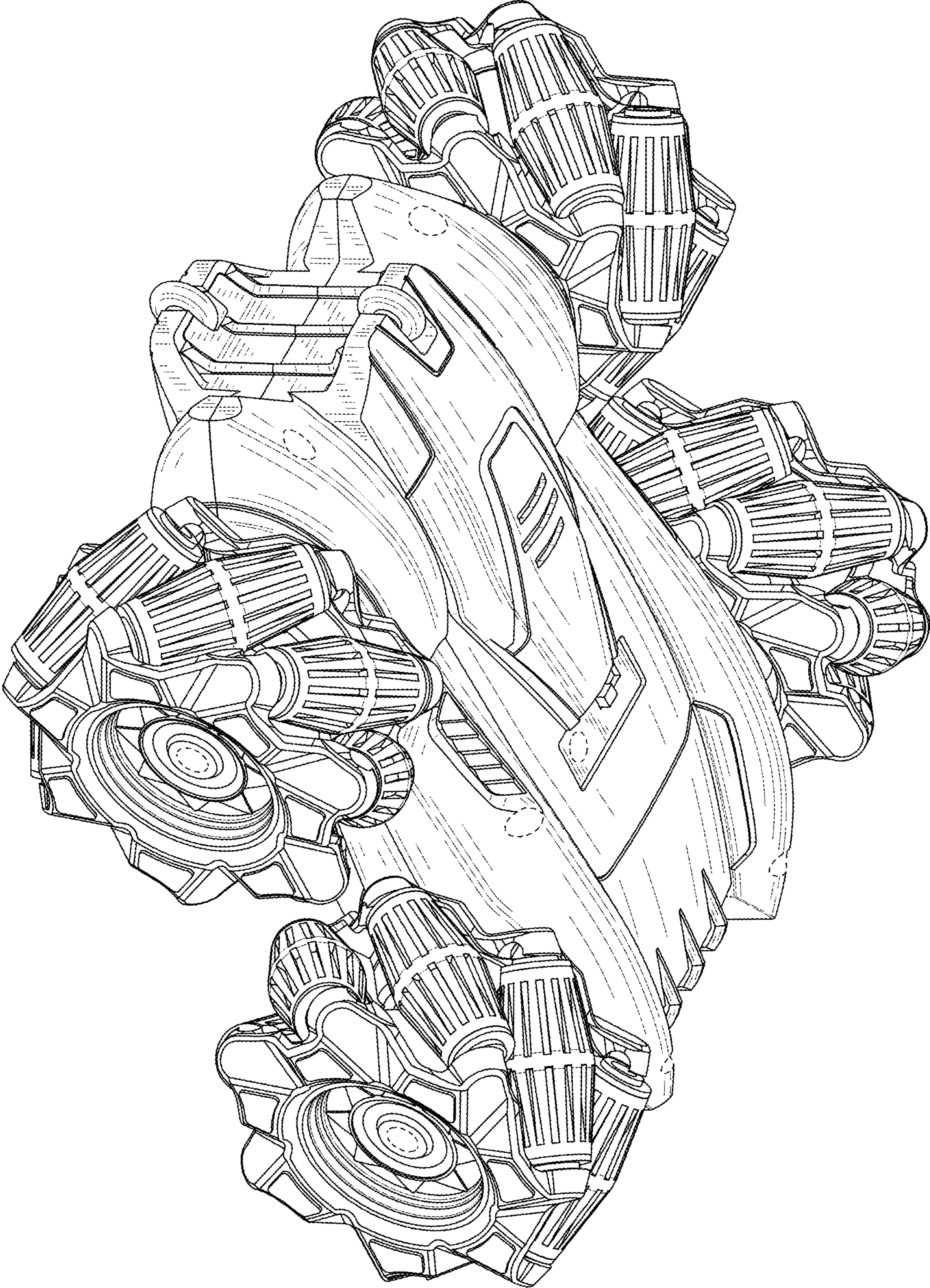


FIG. 2

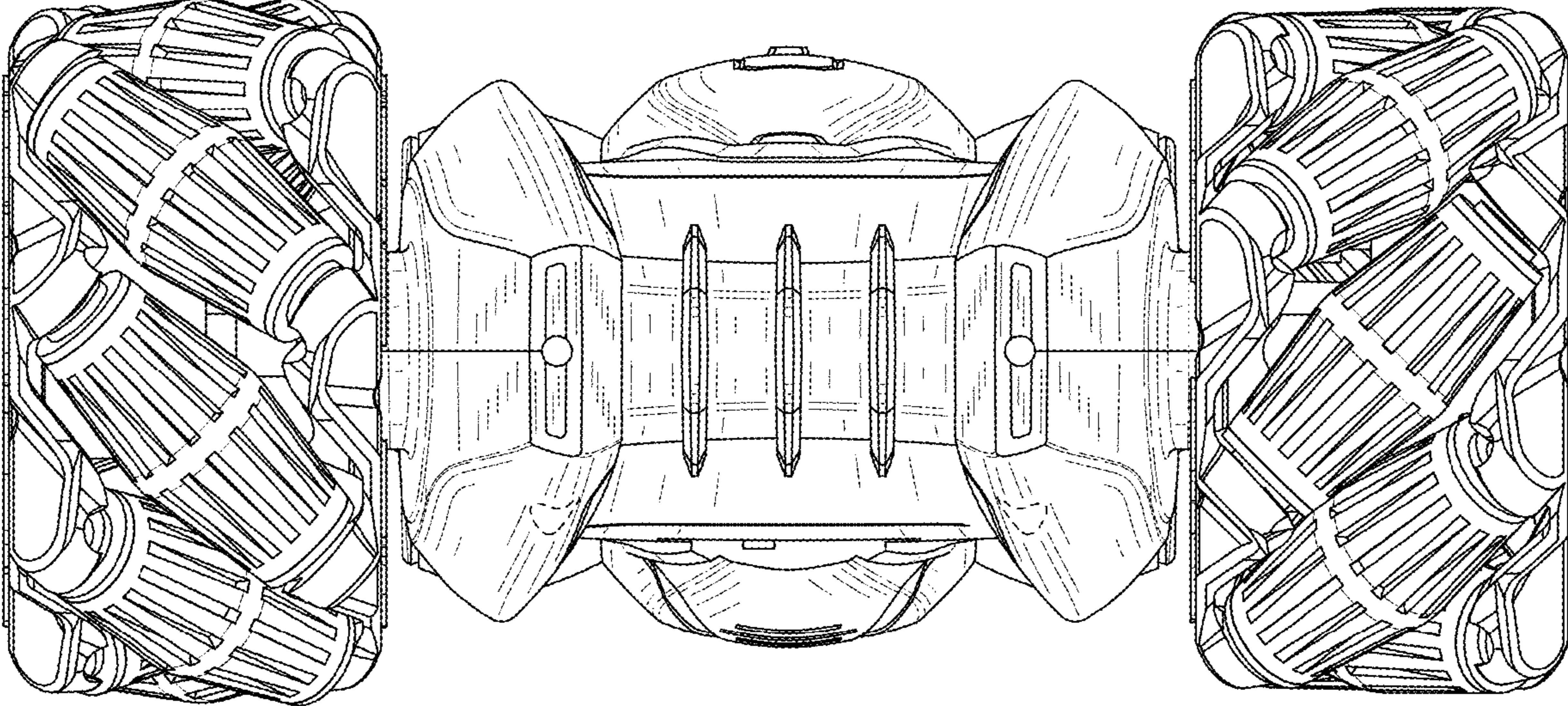


FIG. 3

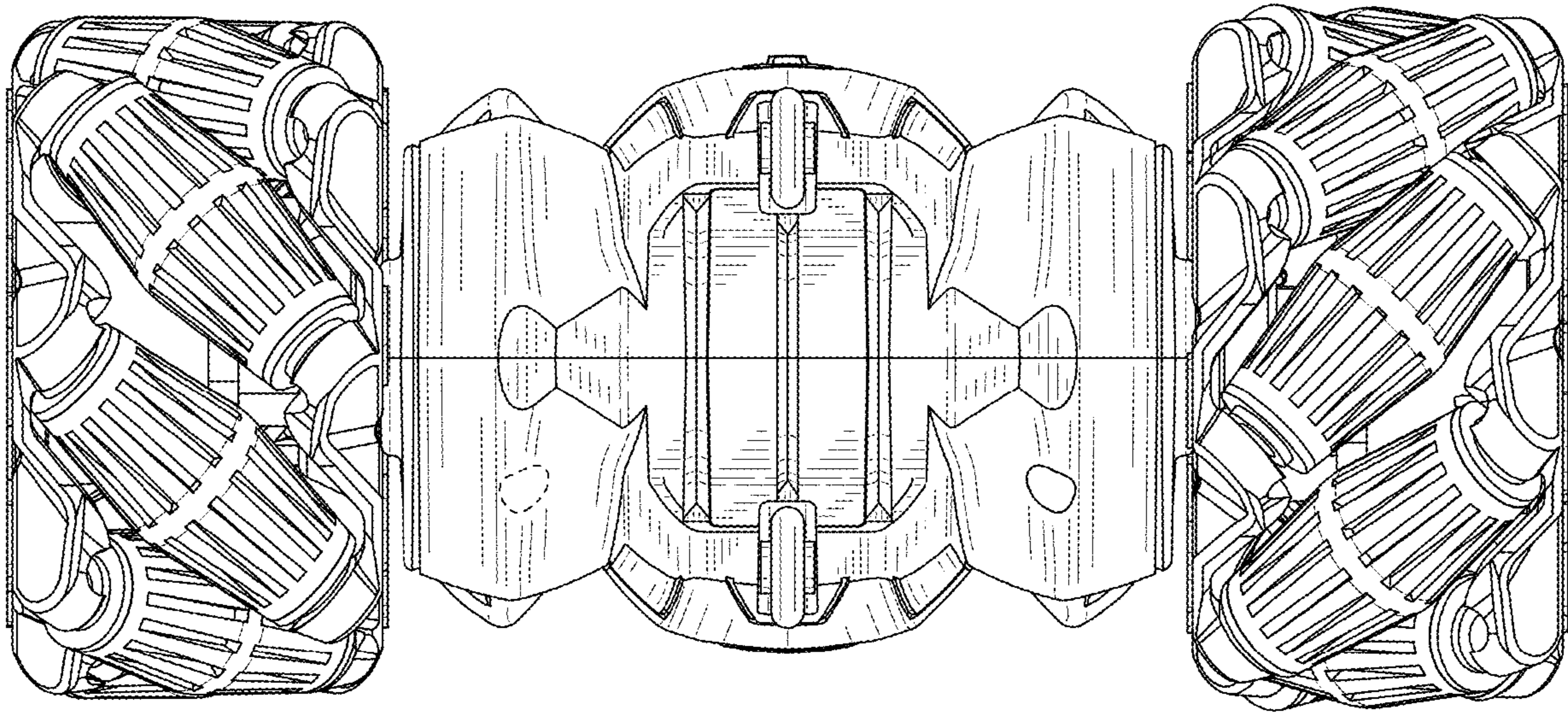


FIG. 4

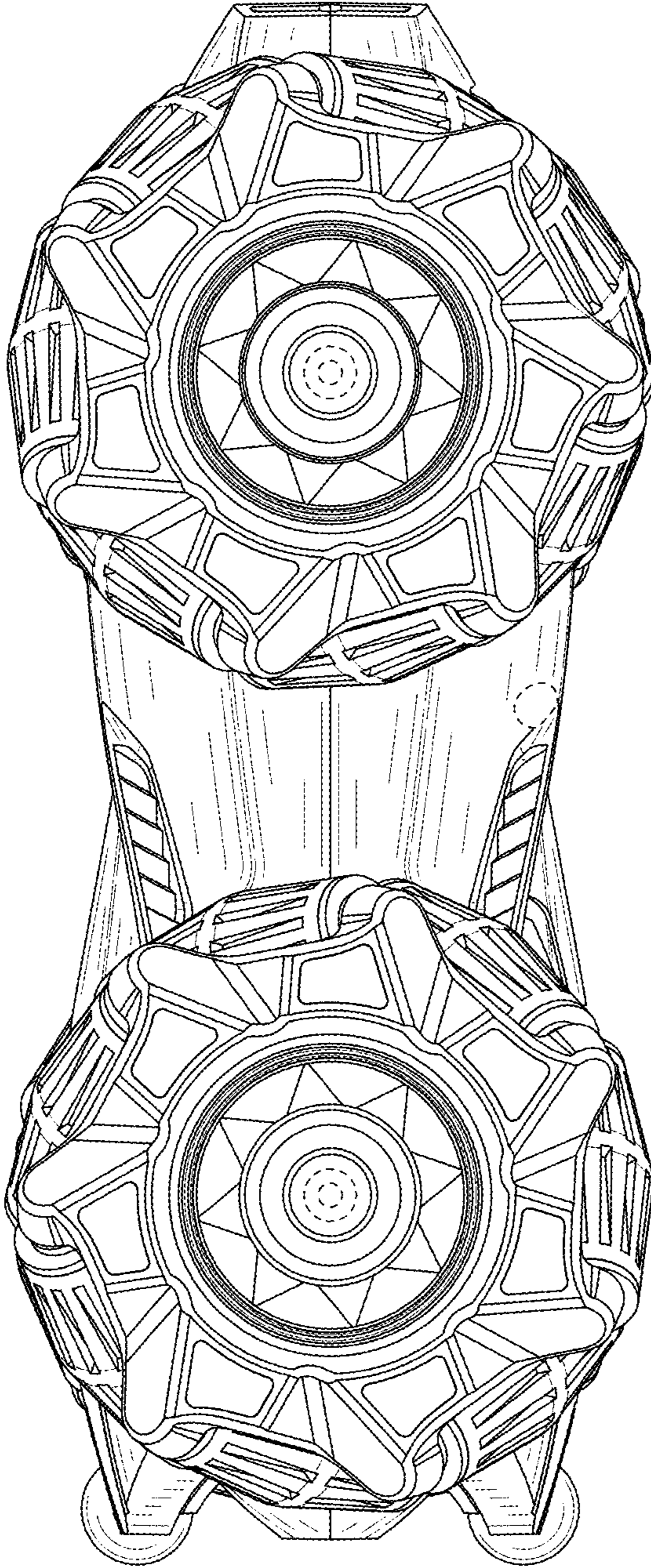


FIG. 5

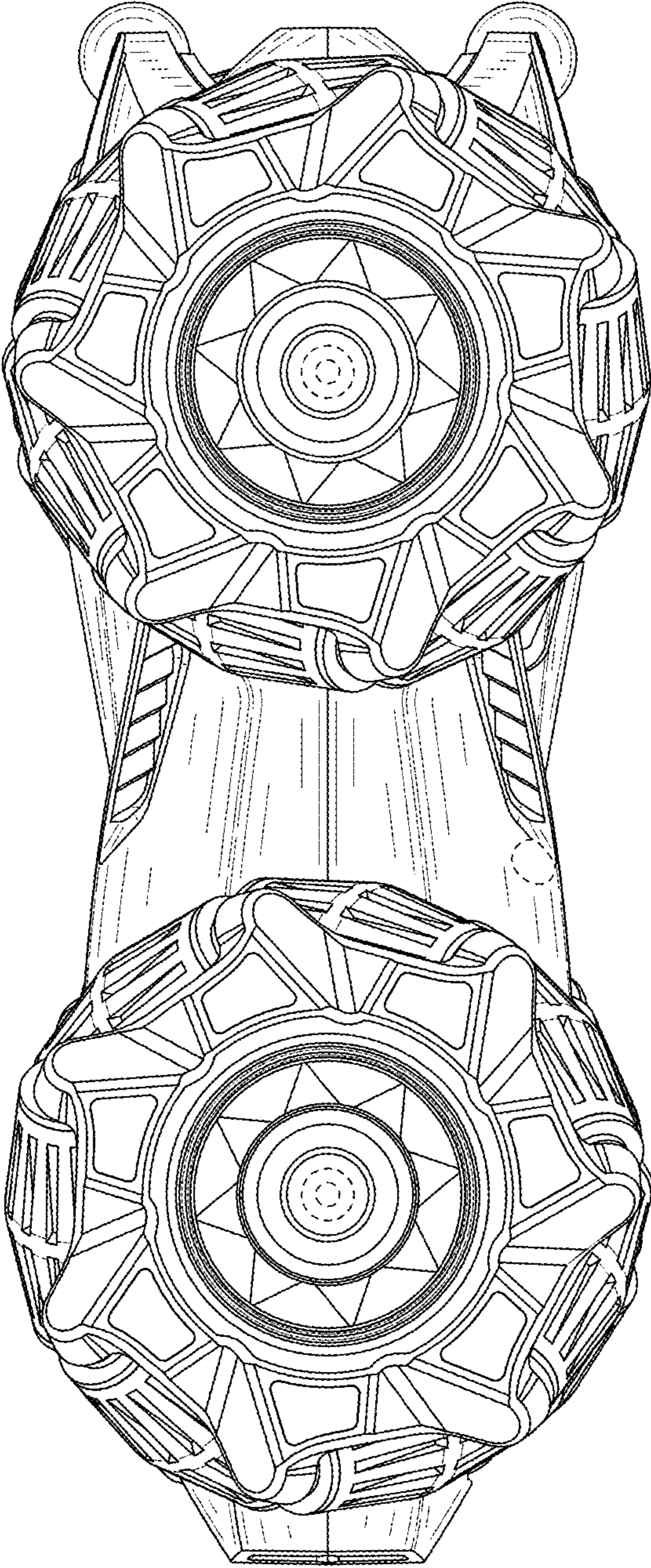


FIG. 6

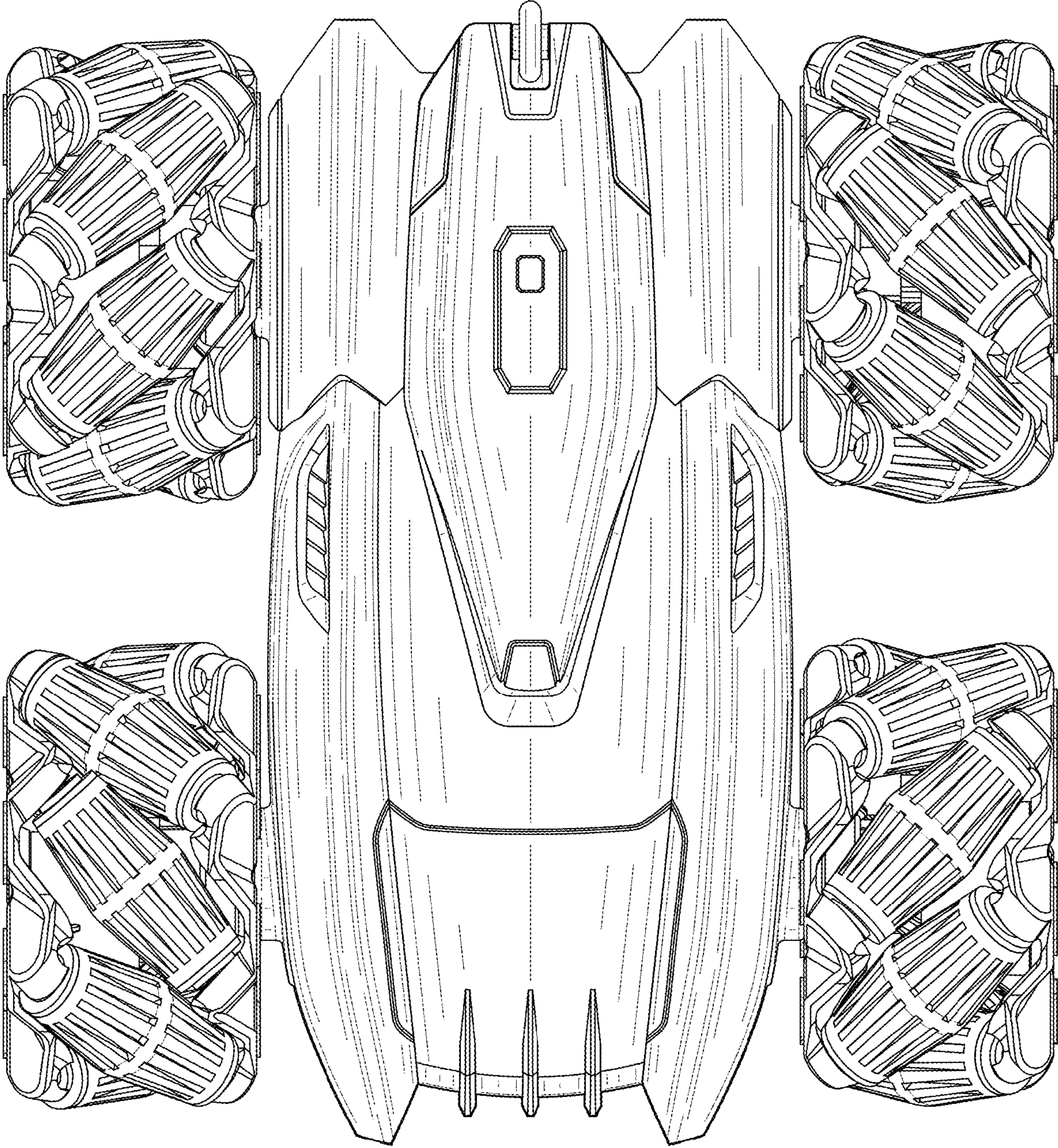


FIG. 7

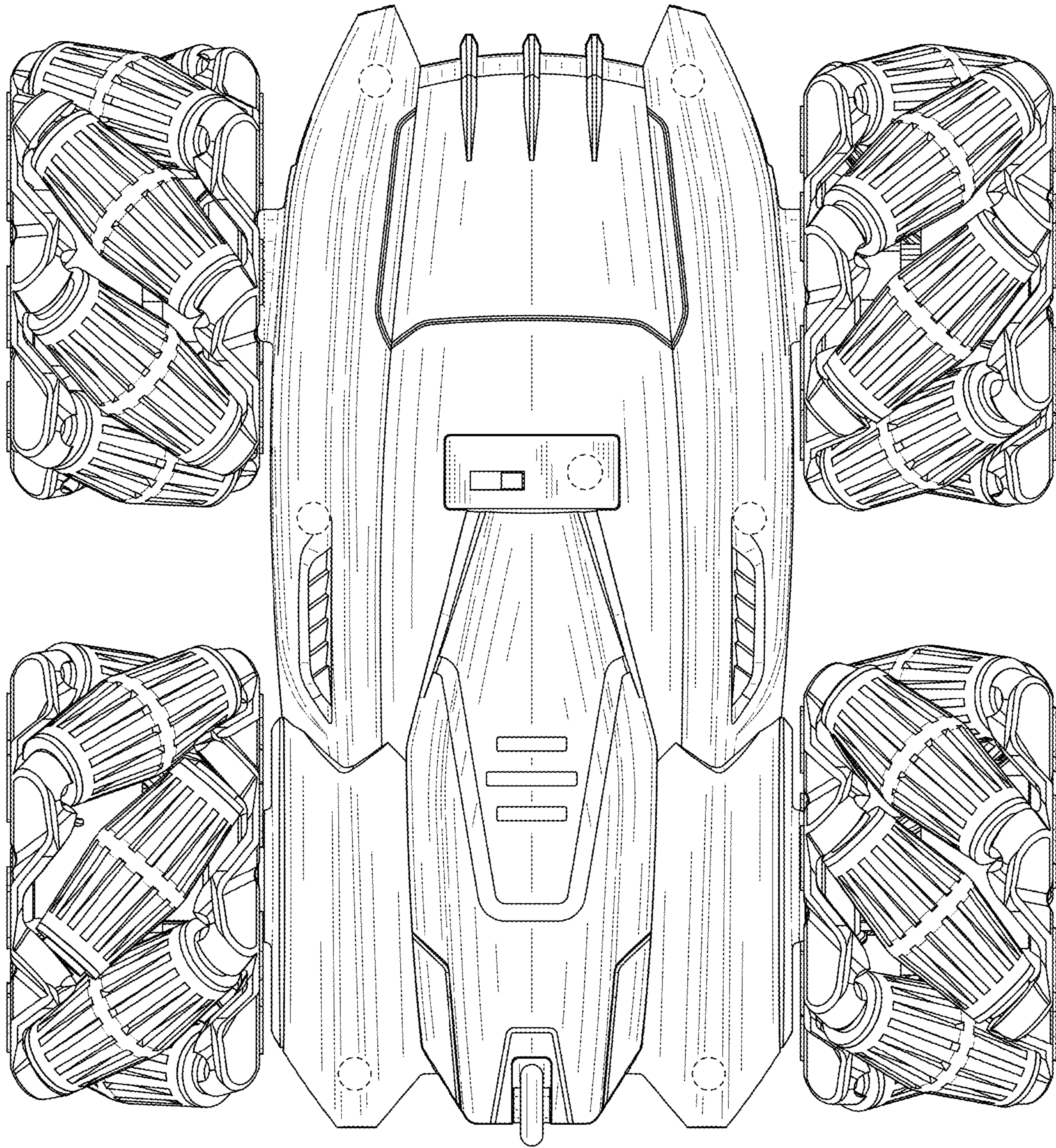


FIG. 8



FIG. 9

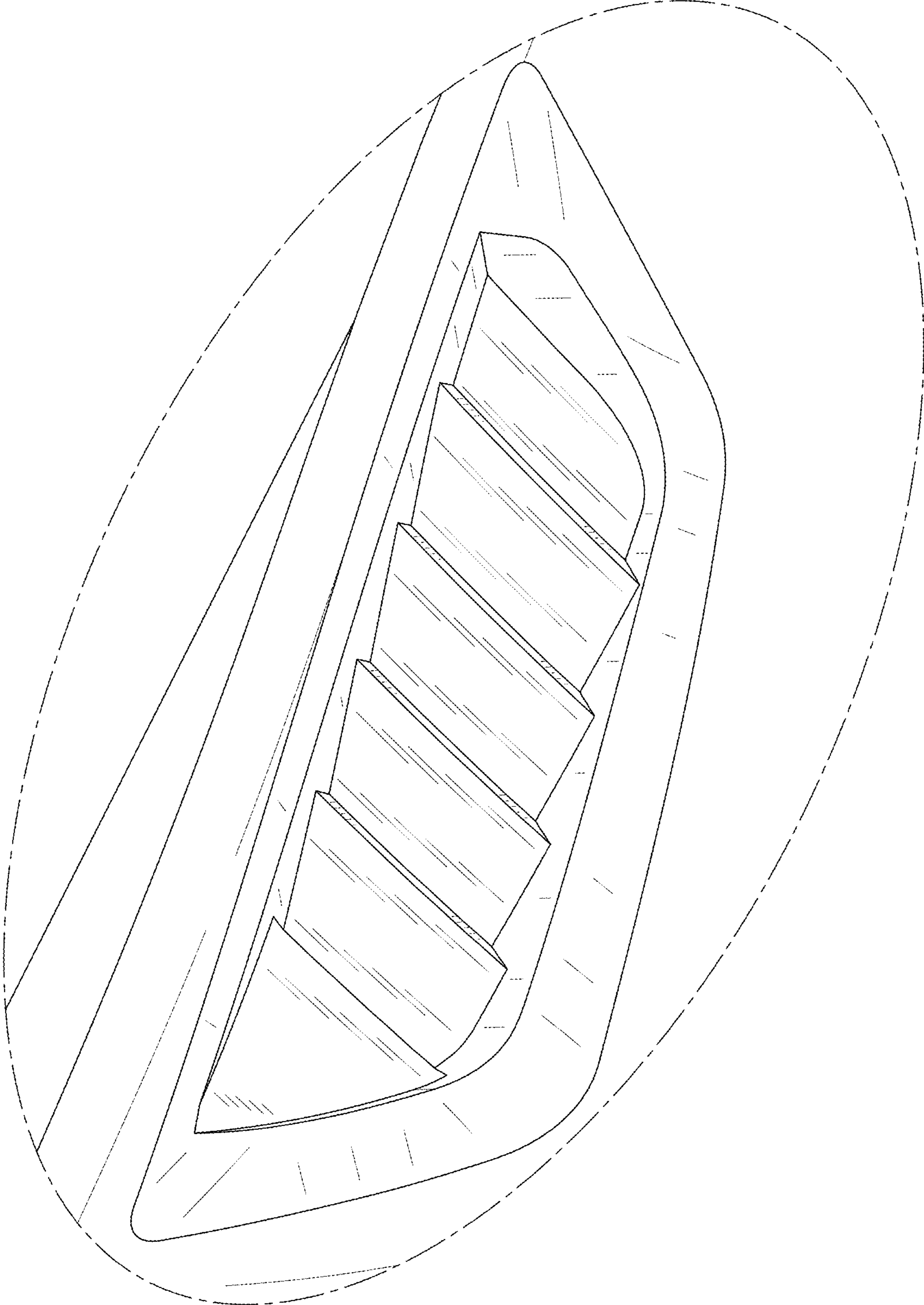


FIG. 10