



US00D952761S

(12) **United States Design Patent** (10) **Patent No.:** **US D952,761 S**  
**Wang** (45) **Date of Patent:** **\*\* May 24, 2022**

(54) **TOY CAR SET**

(71) Applicant: **Yue Wang**, Shantou (CN)

(72) Inventor: **Yue Wang**, Shantou (CN)

(\*\*) Term: **15 Years**

(21) Appl. No.: **29/777,956**

(22) Filed: **Apr. 9, 2021**

(51) **LOC (13) Cl.** ..... **21-01**

(52) **U.S. Cl.**  
USPC ..... **D21/537**

(58) **Field of Classification Search**  
USPC ..... D21/431, 433, 434, 533, 537, 548, 552,  
D21/553, 554, 555, 556, 560, 580, 581  
(Continued)

(56) **References Cited**

U.S. PATENT DOCUMENTS

4,993,983 A \* 2/1991 Kurita ..... A63H 17/26  
446/130  
D338,019 S \* 8/1993 Bhambra ..... D15/25  
(Continued)

OTHER PUBLICATIONS

DeXop Construction Vehicle Truck, Reviewed Aug. 7, 2020, [online],  
[site visited Nov. 19, 2021]. Available from Internet: <URL:https://  
www.amazon.com/dp/B087RM84K6/> (Year: 2020).\*

*Primary Examiner* — Cynthia M. Chin

(57) **CLAIM**

The ornamental design for a toy car set, as shown and described.

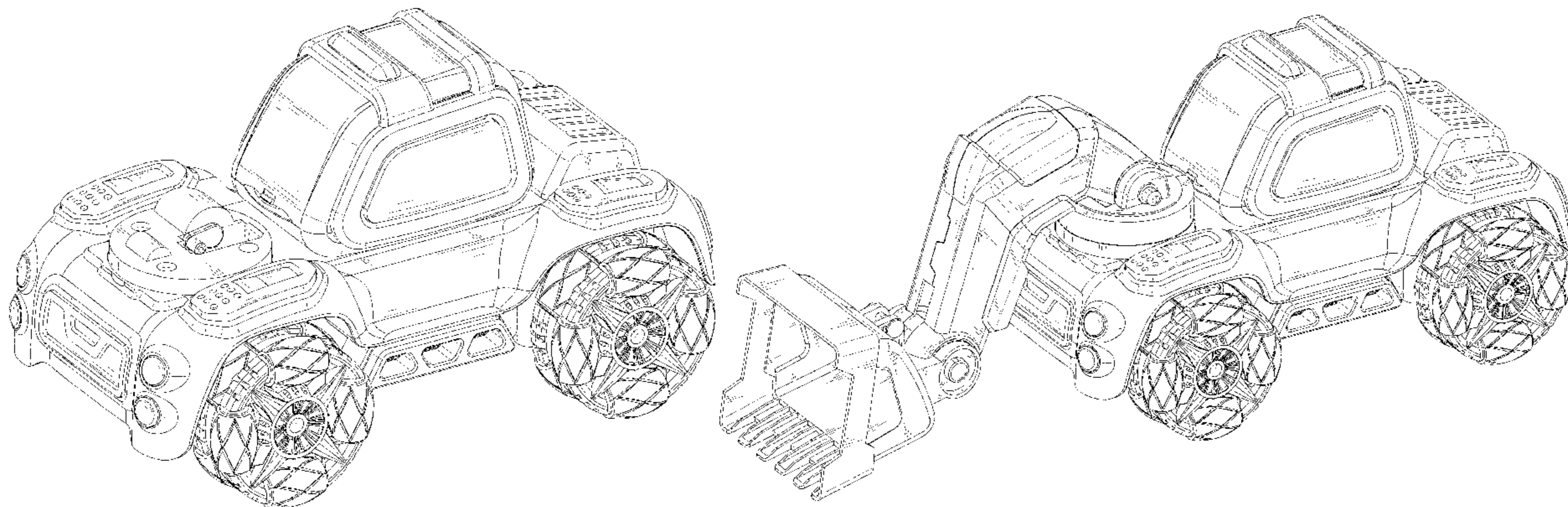
**DESCRIPTION**

FIG. 1 is a perspective view of a car body of a toy car set shown separately for ease of illustration;  
FIG. 2 is another perspective view thereof;

FIG. 3 is another perspective view thereof;  
FIG. 4 is a front elevational view thereof;  
FIG. 5 is a rear elevational view thereof;  
FIG. 6 is a left side elevational view thereof;  
FIG. 7 is a right side elevational view thereof;  
FIG. 8 is a top plan view thereof;  
FIG. 9 is a bottom plan view thereof;  
FIG. 10 is an enlarged partial view taken from FIG. 1;  
FIG. 11 is an enlarged partial view taken from FIG. 2;  
FIG. 12 is a perspective view of a first arm of the toy car set shown separately for ease of illustration;  
FIG. 13 is another perspective view thereof;  
FIG. 14 is a front elevational view thereof;  
FIG. 15 is a rear elevational view thereof;  
FIG. 16 is a left side elevational view thereof;  
FIG. 17 is a right side elevational view thereof;  
FIG. 18 is a top plan view thereof;  
FIG. 19 is a bottom plan view thereof;  
FIG. 20 is a perspective view of a second arm of the toy car set shown separately for ease of illustration;  
FIG. 21 is another perspective view thereof;  
FIG. 22 is a front elevational view thereof;  
FIG. 23 is a rear elevational view thereof;  
FIG. 24 is a left side elevational view thereof;  
FIG. 25 is a right side elevational view thereof;  
FIG. 26 is a top plan view thereof;  
FIG. 27 is a bottom plan view thereof;  
FIG. 28 is a perspective view of a third arm of the toy car set shown separately for ease of illustration;  
FIG. 29 is another perspective view thereof;  
FIG. 30 is a front elevational view thereof;  
FIG. 31 is a rear elevational view thereof;  
FIG. 32 is a left side elevational view thereof;  
FIG. 33 is a right side elevational view thereof;  
FIG. 34 is a top plan view thereof;  
FIG. 35 is a bottom plan view thereof;  
FIG. 36 is a perspective view where the first arm is disposed on the car body;  
FIG. 37 is a perspective view where the second arm is disposed on the car body; and,  
FIG. 38 is a perspective view where the third arm is disposed on the car body.

The broken lines in the drawings depict portions of the toy car set that form no part of the claimed design. The dash-dot

(Continued)



broken lines represent the boundaries of the enlarged partial views of FIGS. 10-11 and form no part of the claimed design.

**1 Claim, 38 Drawing Sheets**

(58) **Field of Classification Search**

CPC ..... A63H 17/00; A63H 17/002; A63H 17/05;  
A63H 17/055; A63H 17/08; A63H 17/12  
See application file for complete search history.

(56) **References Cited**

U.S. PATENT DOCUMENTS

D421,073	S *	2/2000	Wei	.....	15/25
D424,130	S *	5/2000	Wei	.....	D21/537
D428,076	S *	7/2000	Wise	.....	D21/548
D678,425	S *	3/2013	Foster	.....	D21/537
D682,950	S *	5/2013	Johansson	.....	D21/495
D868,906	S *	12/2019	Chen	.....	D21/552
D879,211	S *	3/2020	Bloch	.....	D21/537
D897,239	S	9/2020	Binotto		
D899,305	S	10/2020	Melville et al.		
D926,264	S *	7/2021	Cai	.....	D21/548
2009/0233520	A1 *	9/2009	Bruder	.....	A63H 17/12 446/427
2016/0375723	A1 *	12/2016	Jochim	.....	B60B 19/02 280/30
2020/0079448	A1 *	3/2020	Chen	.....	B60K 1/00

\* cited by examiner

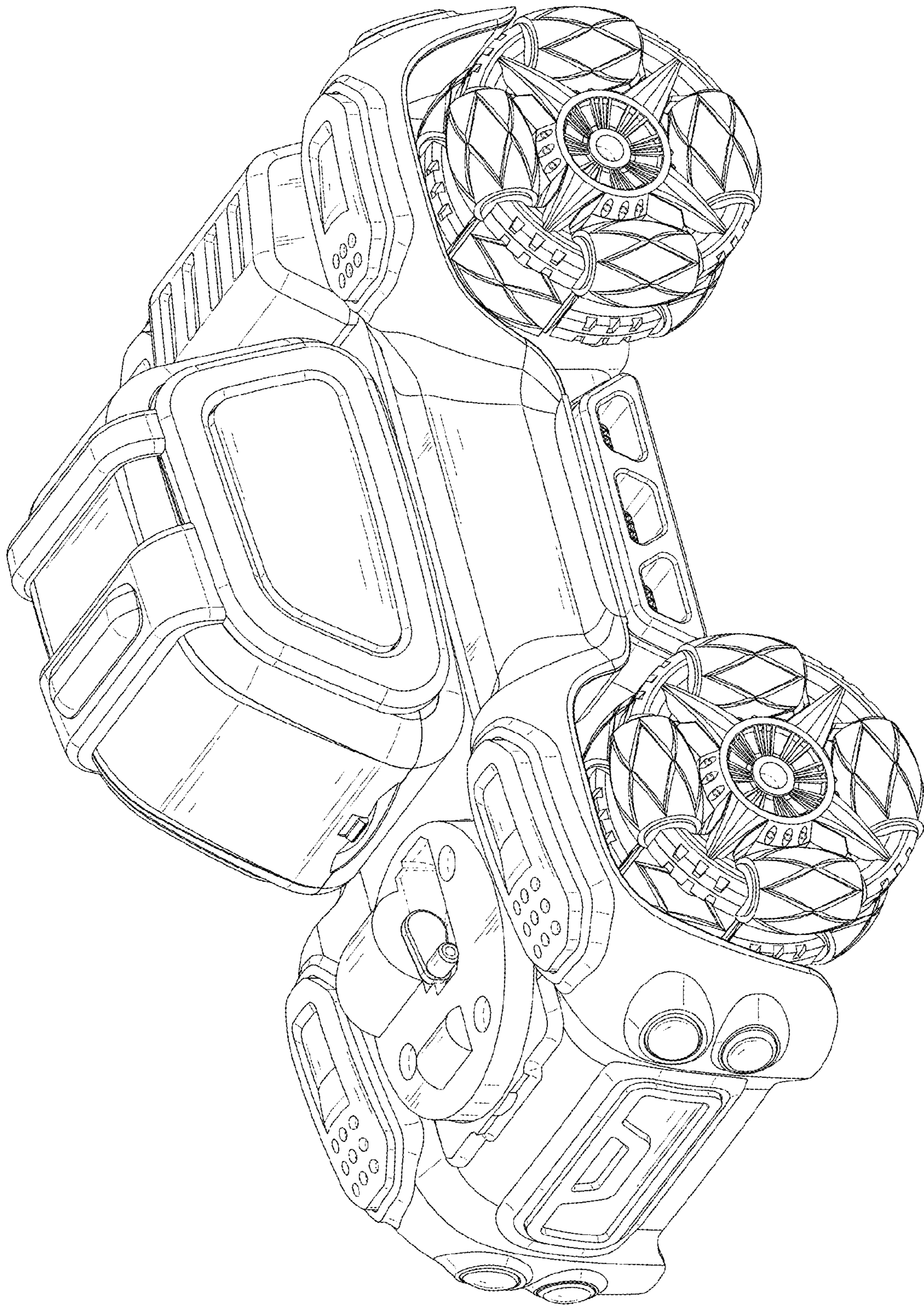


FIG. 1

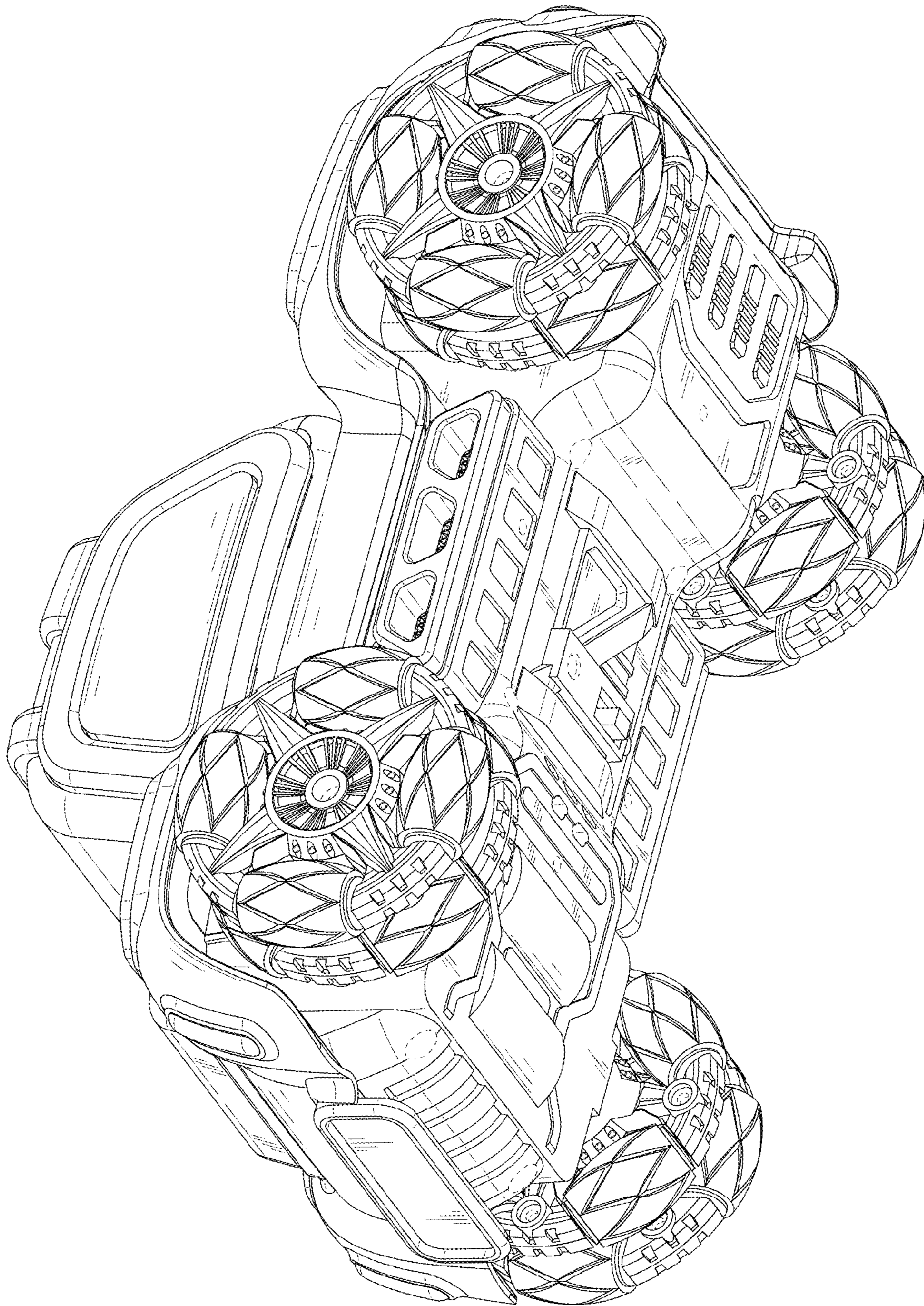


FIG. 2

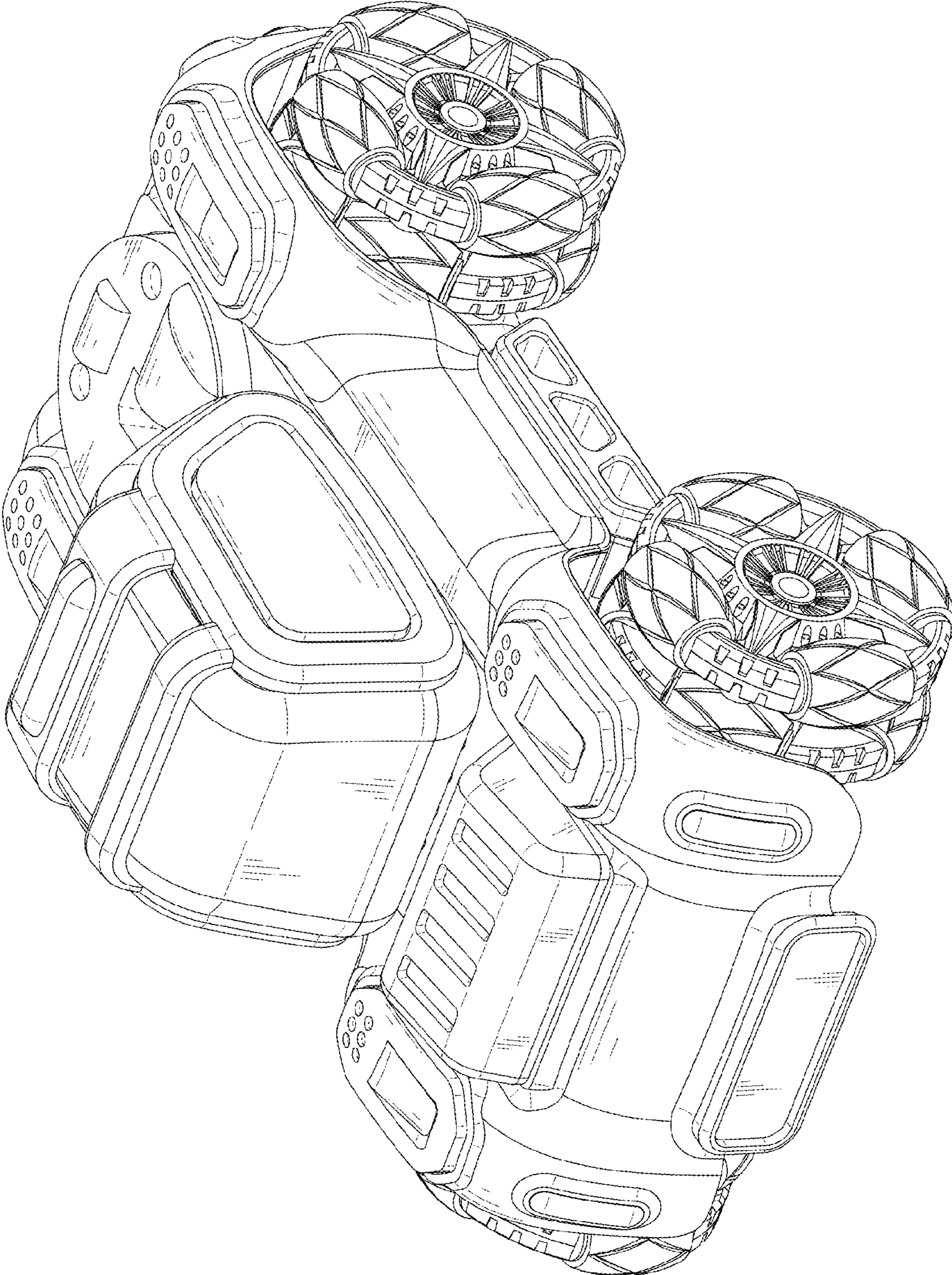


FIG. 3

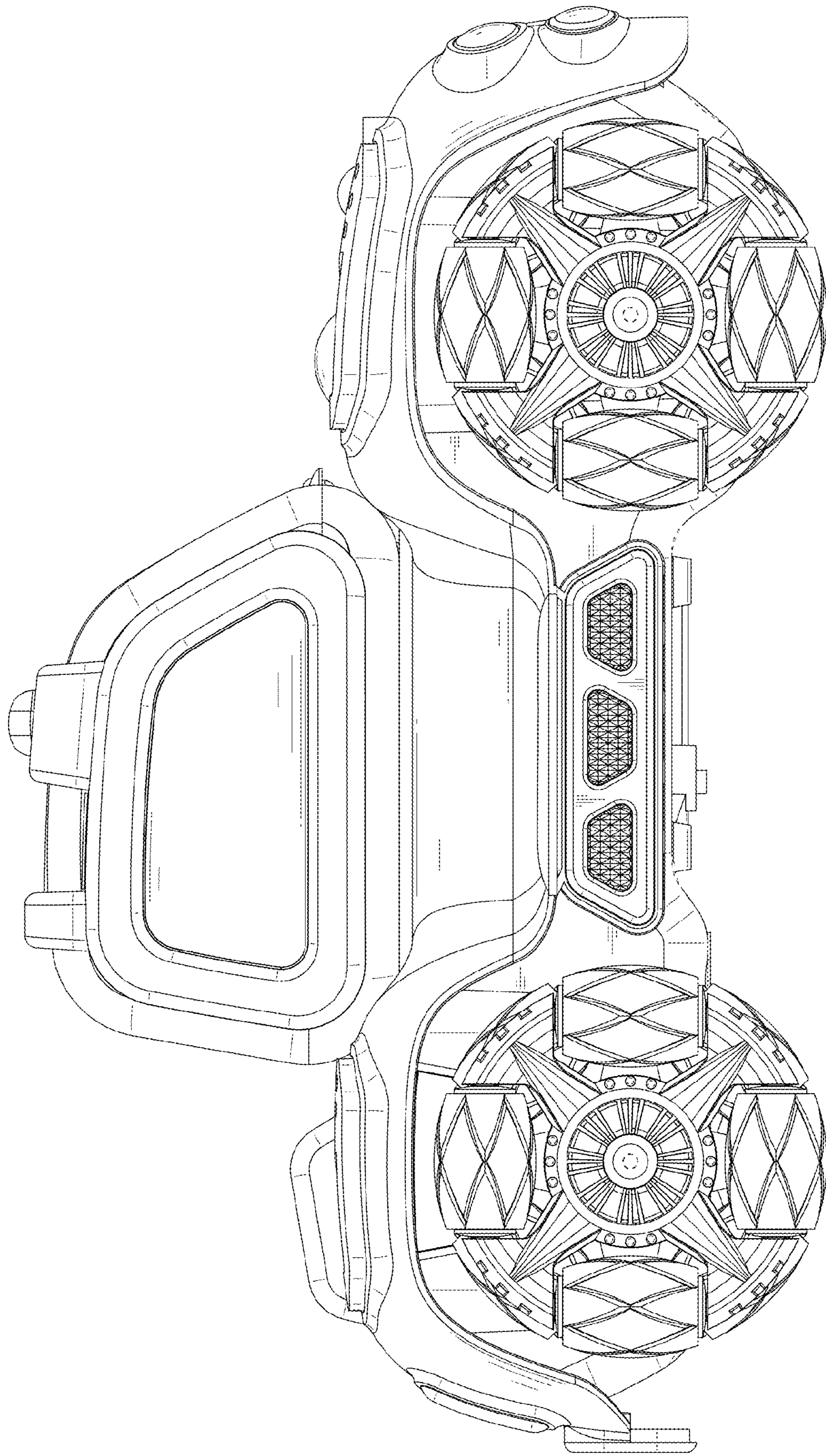


FIG. 4

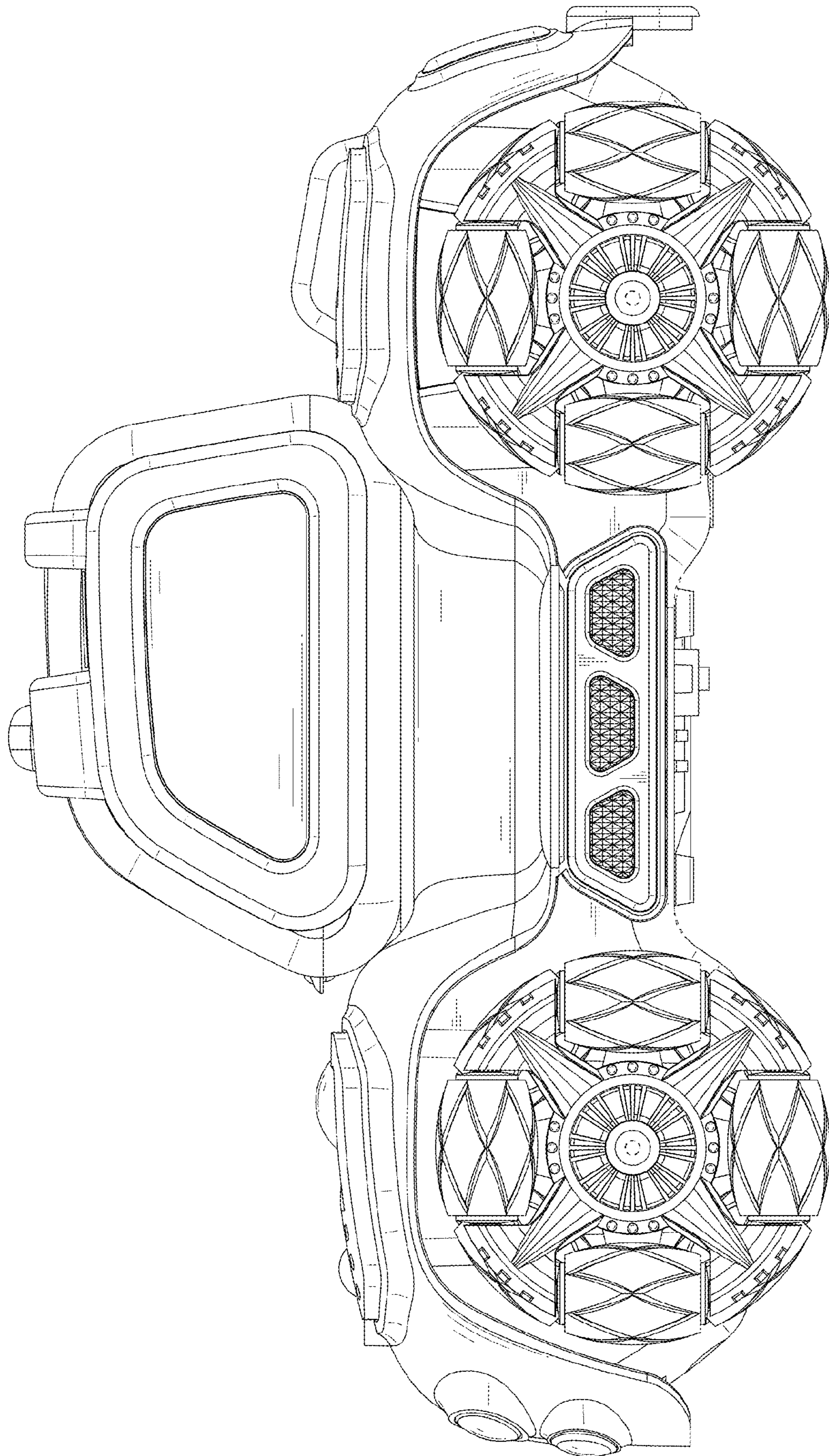


FIG. 5

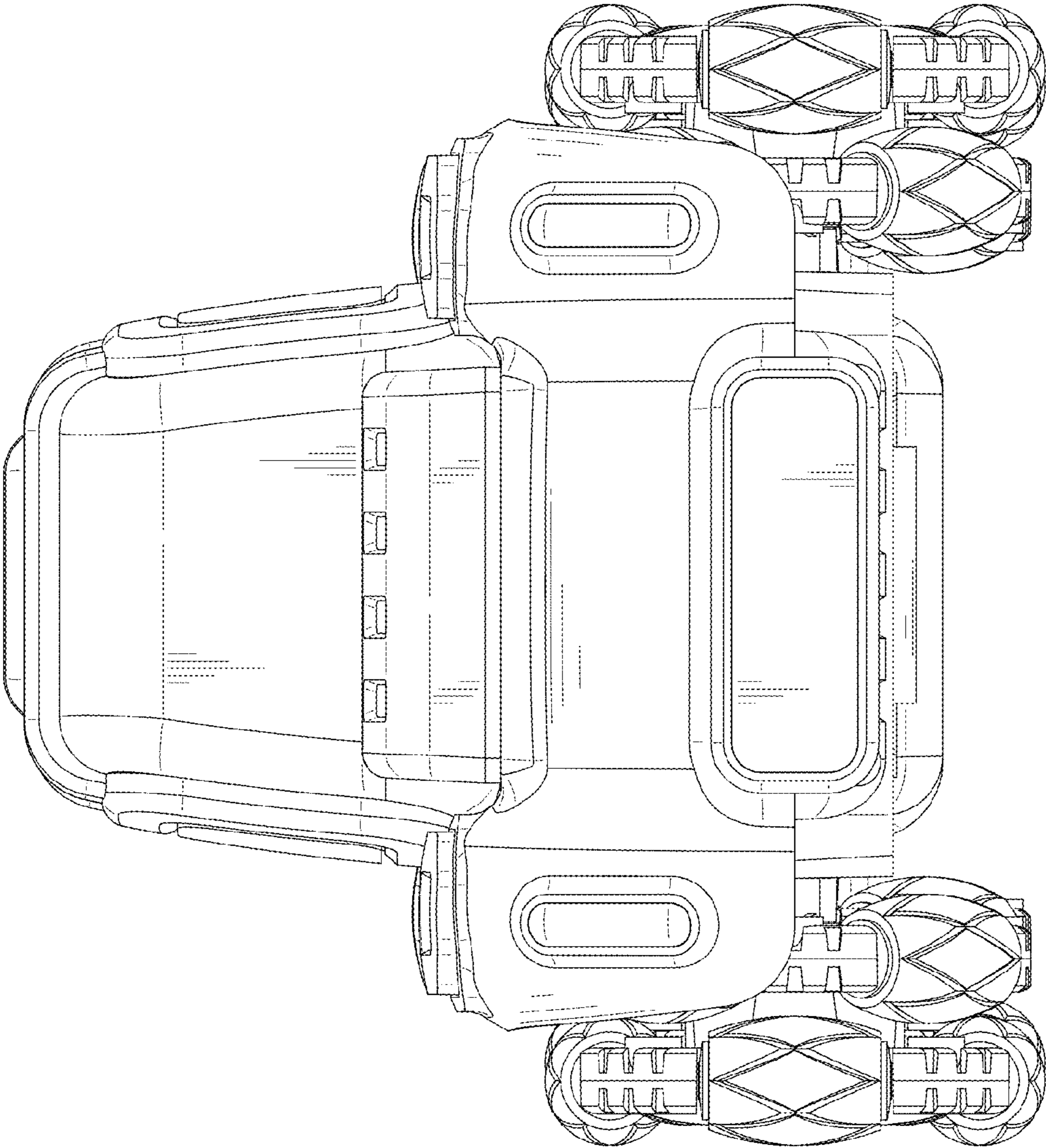


FIG. 6



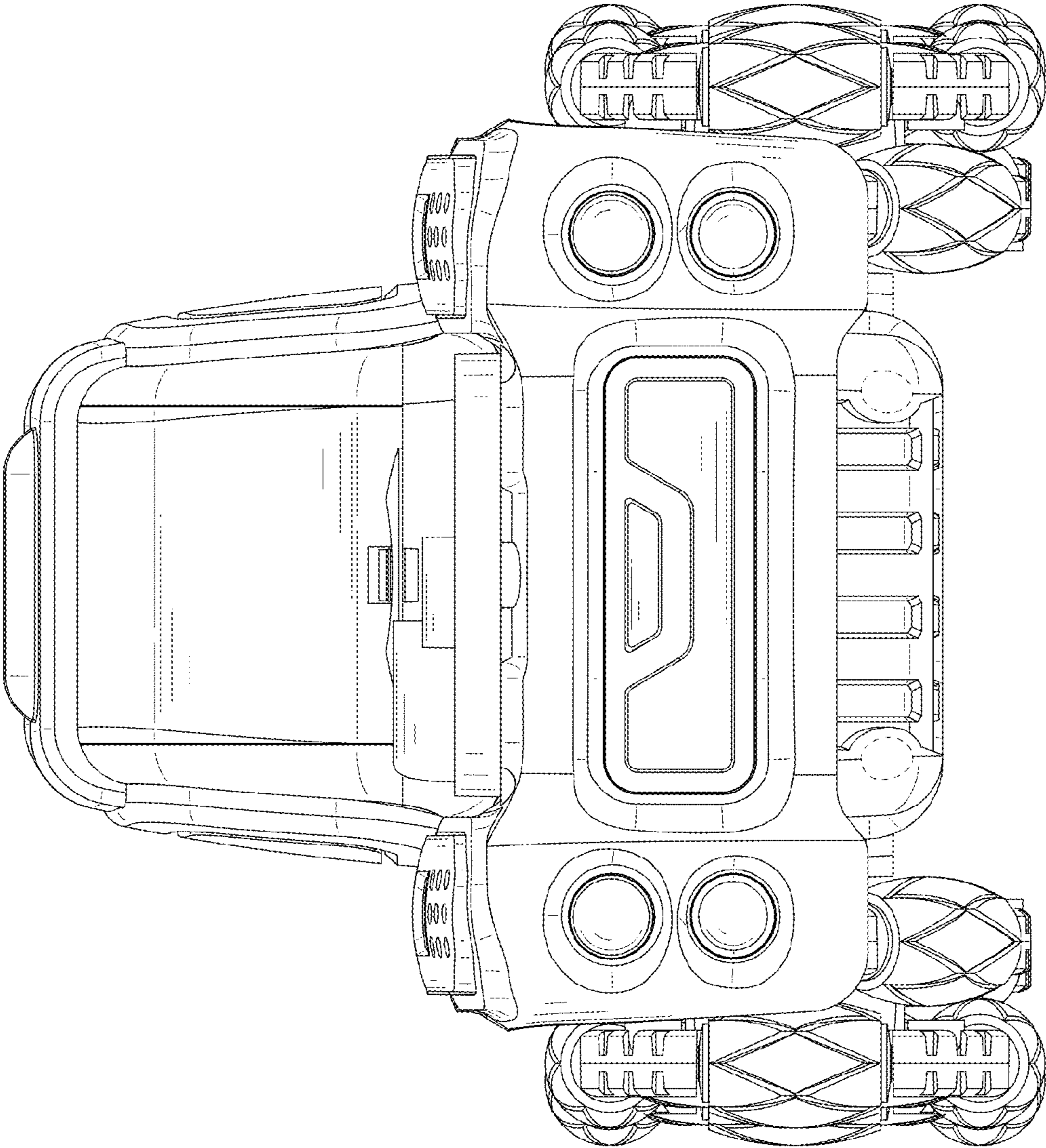


FIG. 7

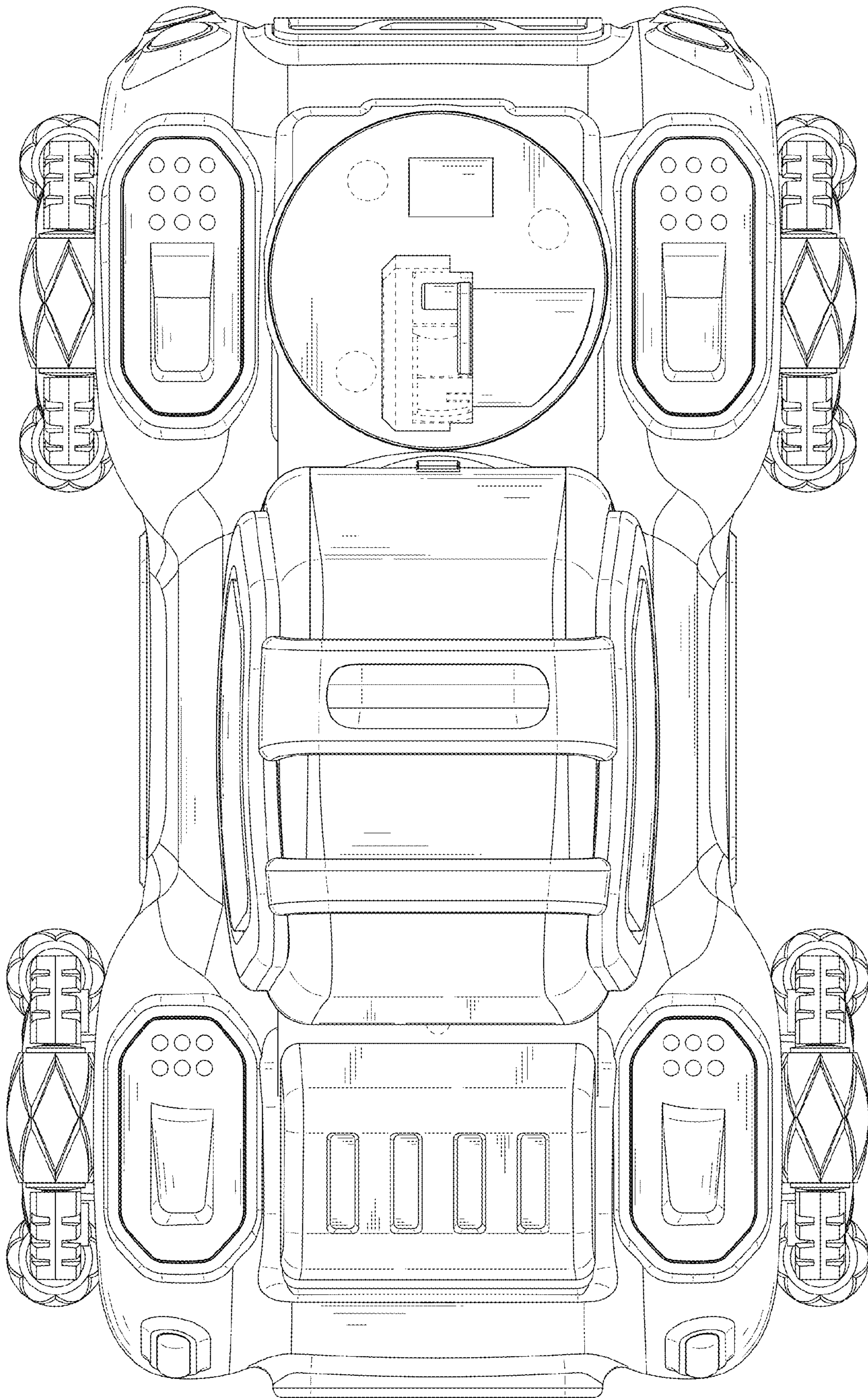


FIG. 8

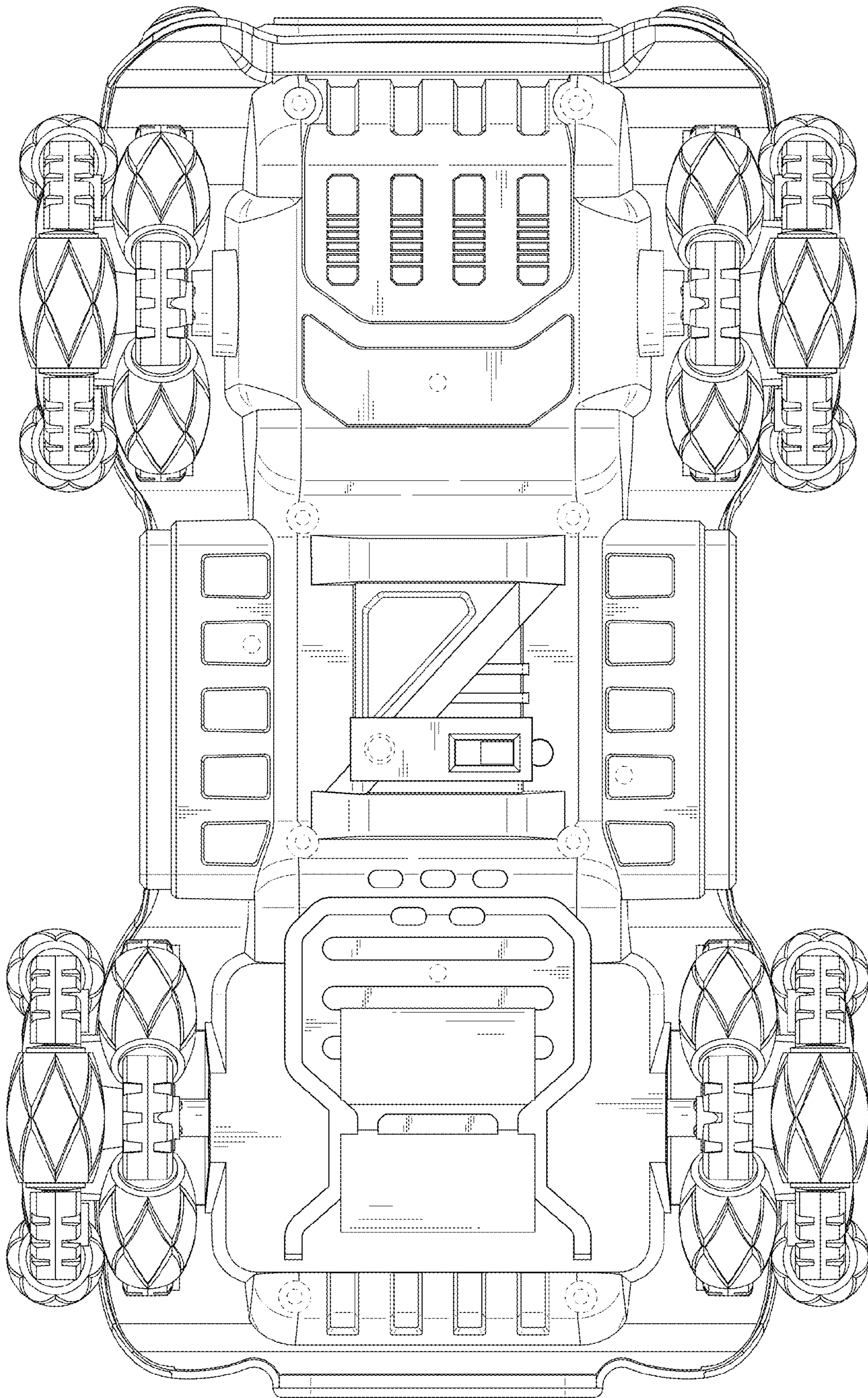


FIG. 9

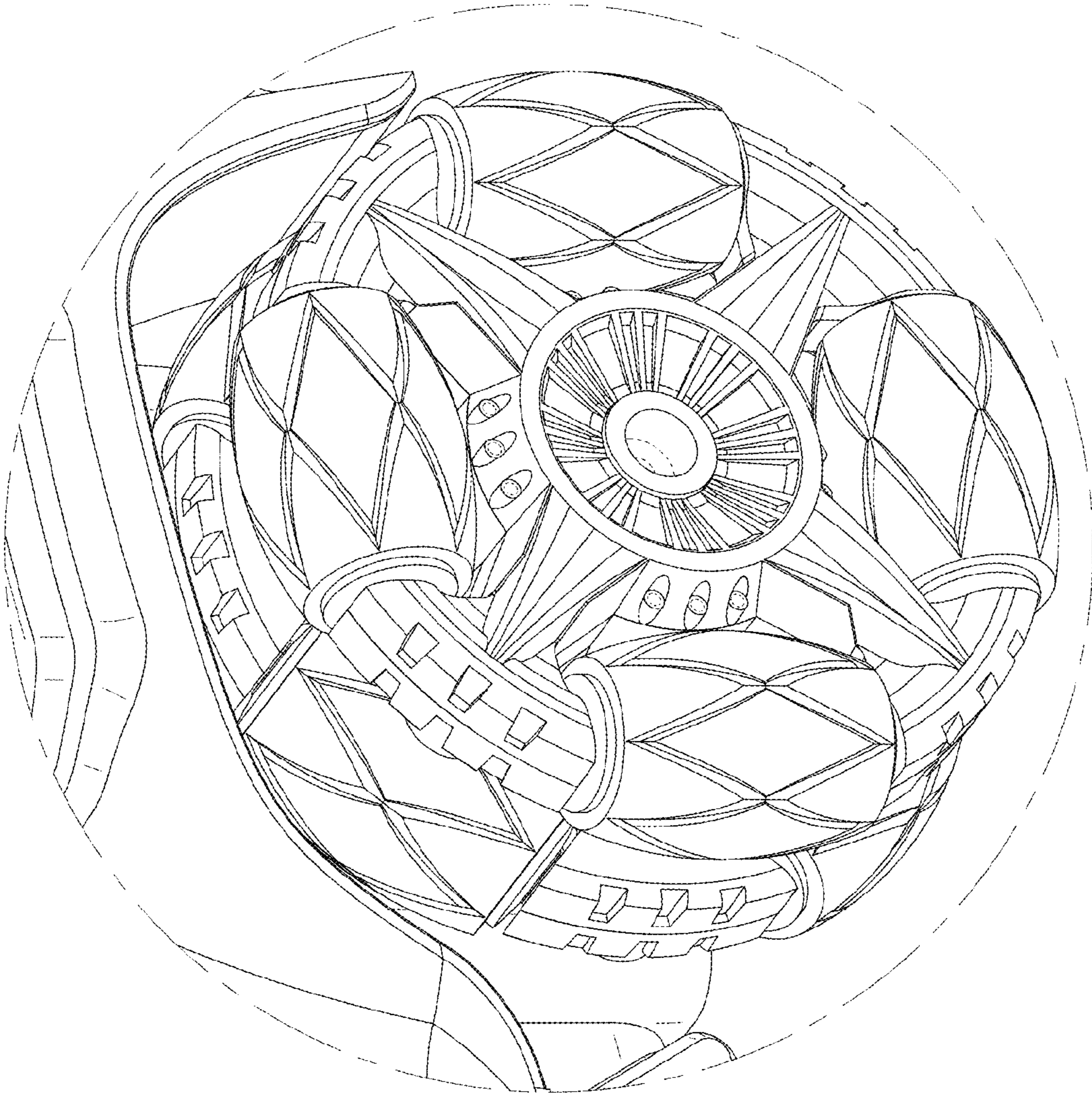


FIG. 10

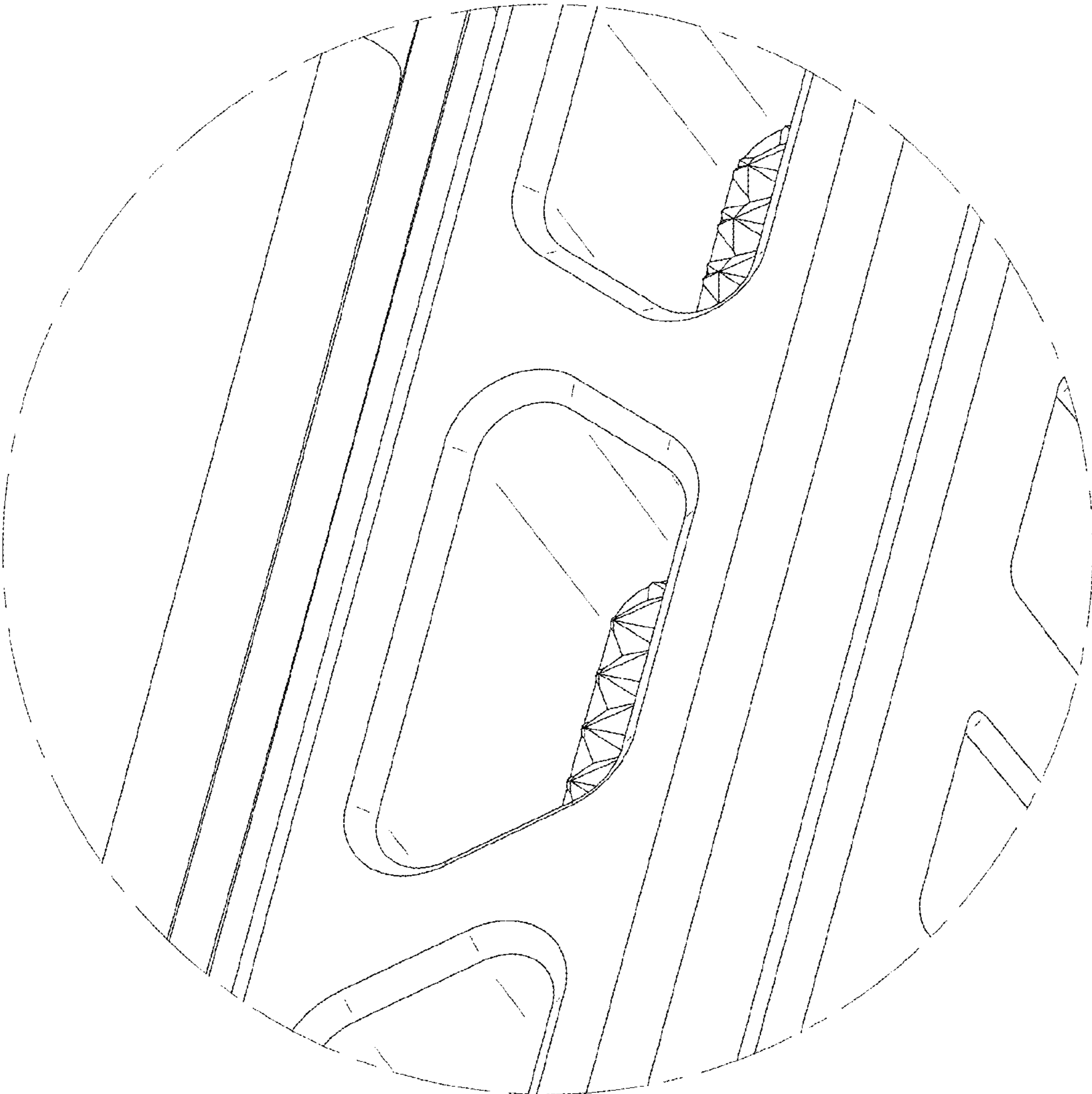


FIG. 11

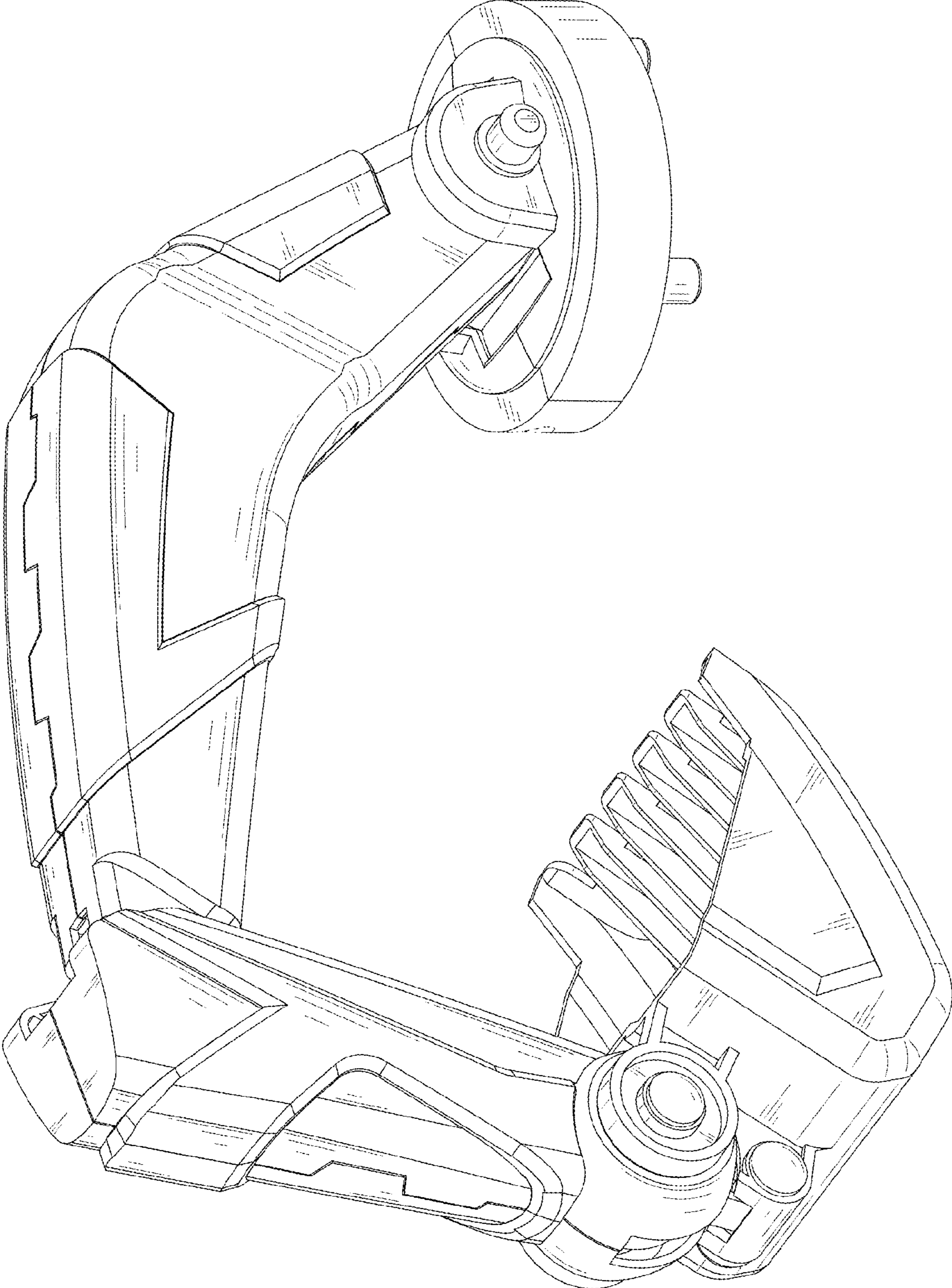


FIG. 12

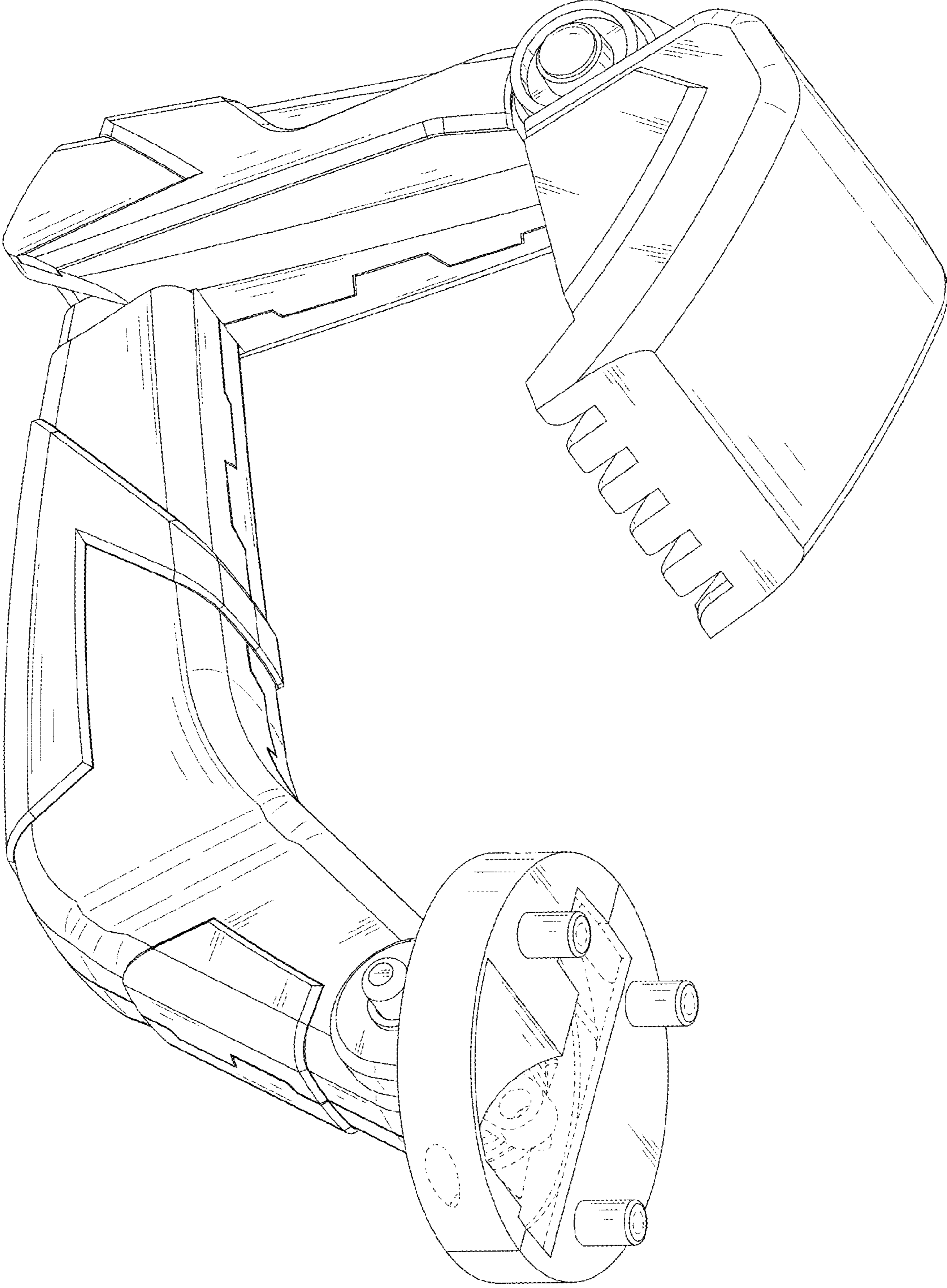


FIG. 13

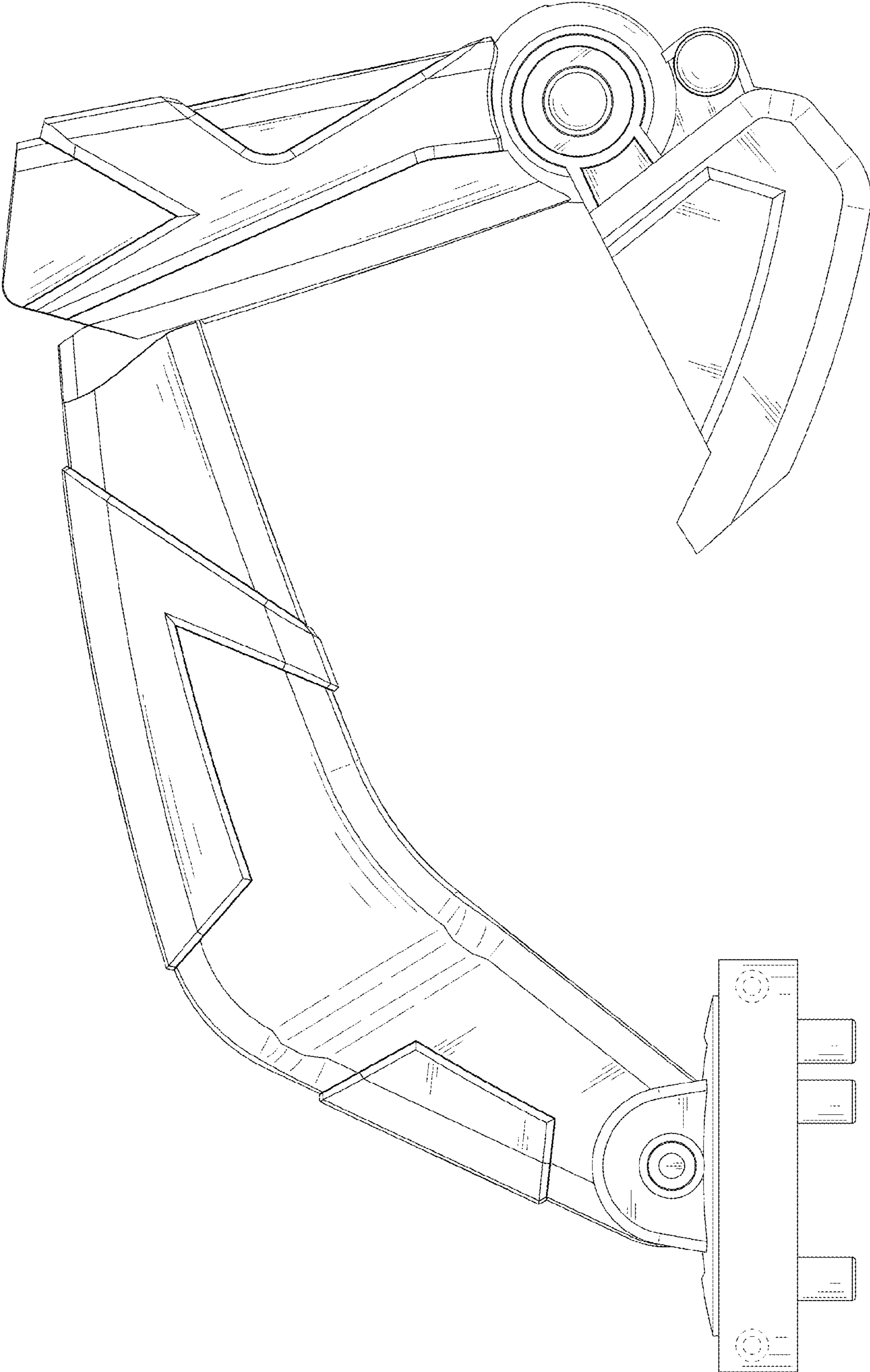


FIG. 14



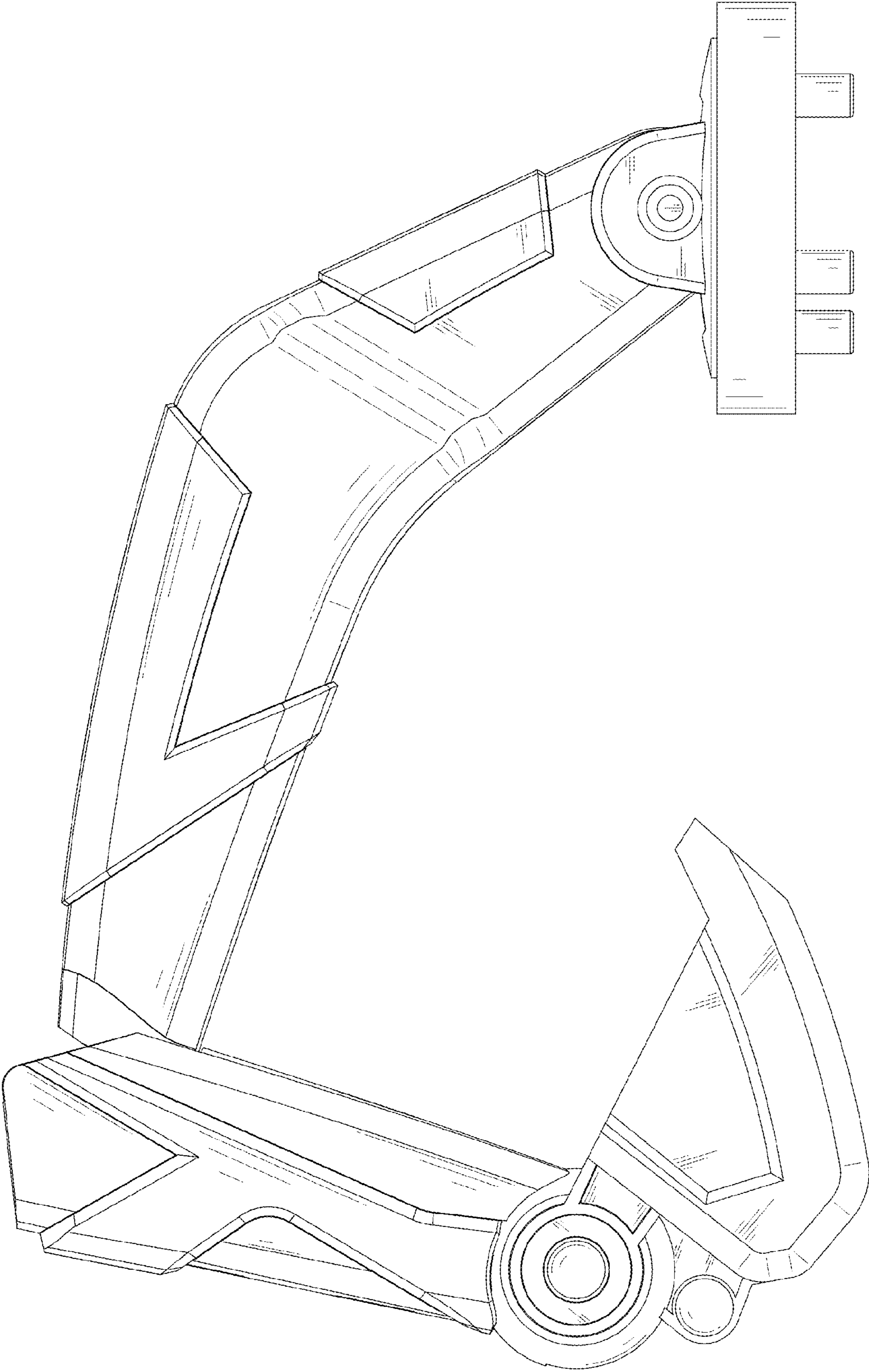


FIG. 15

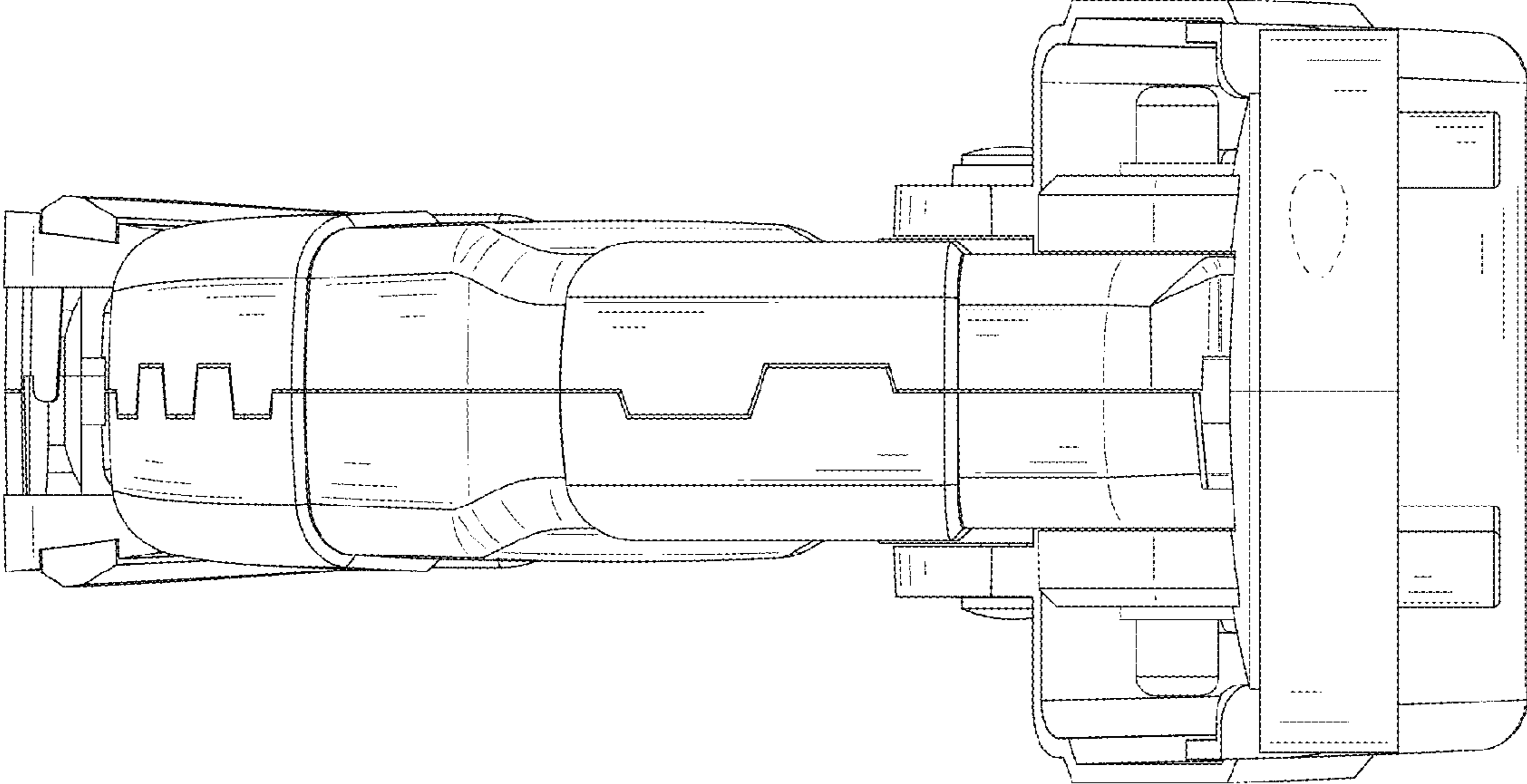


FIG. 16

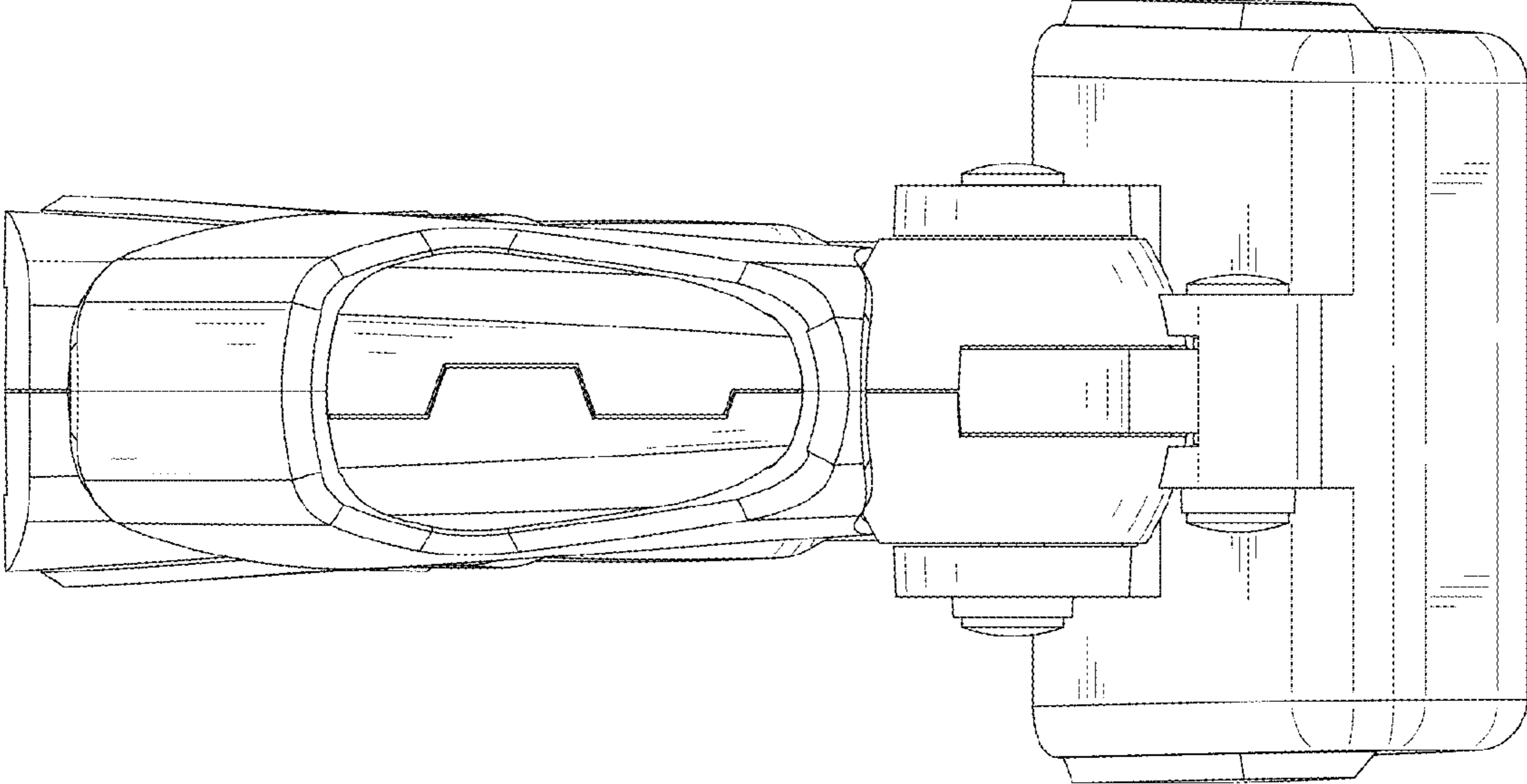


FIG. 17

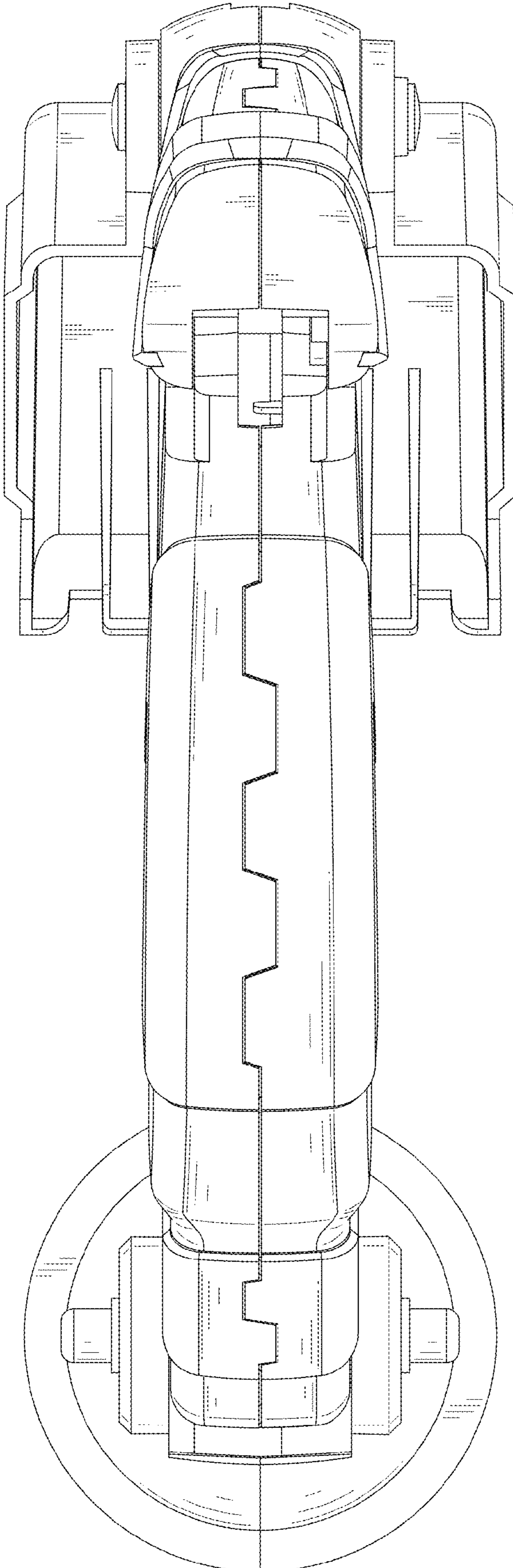


FIG. 18

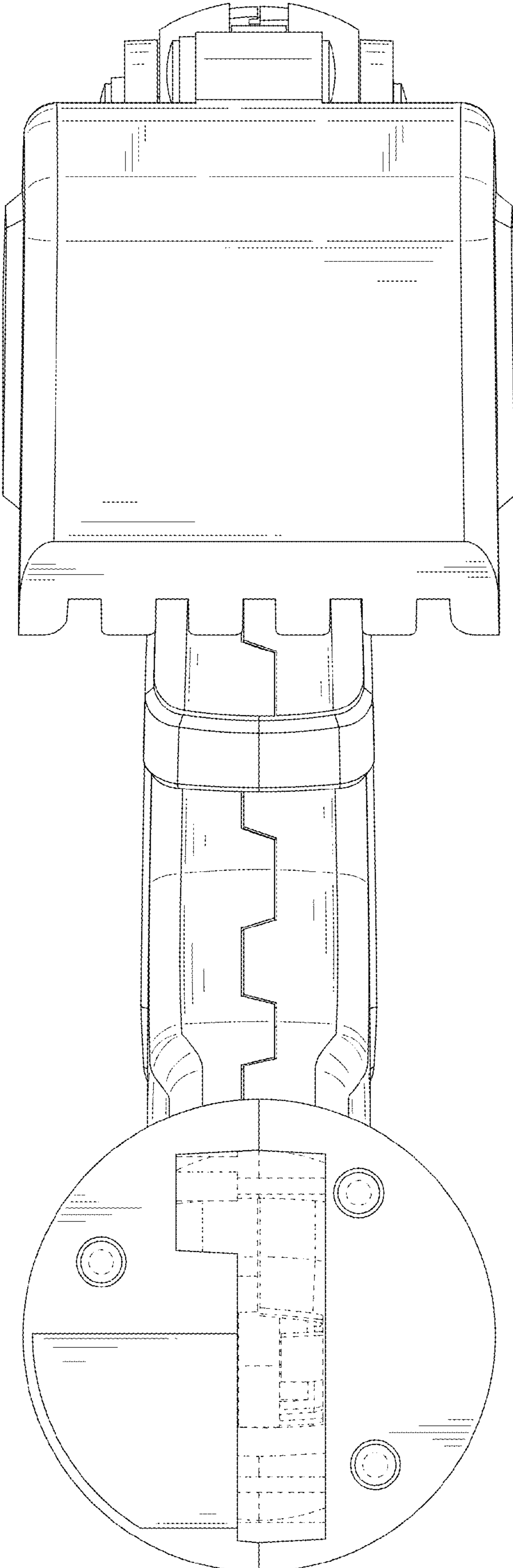


FIG. 19

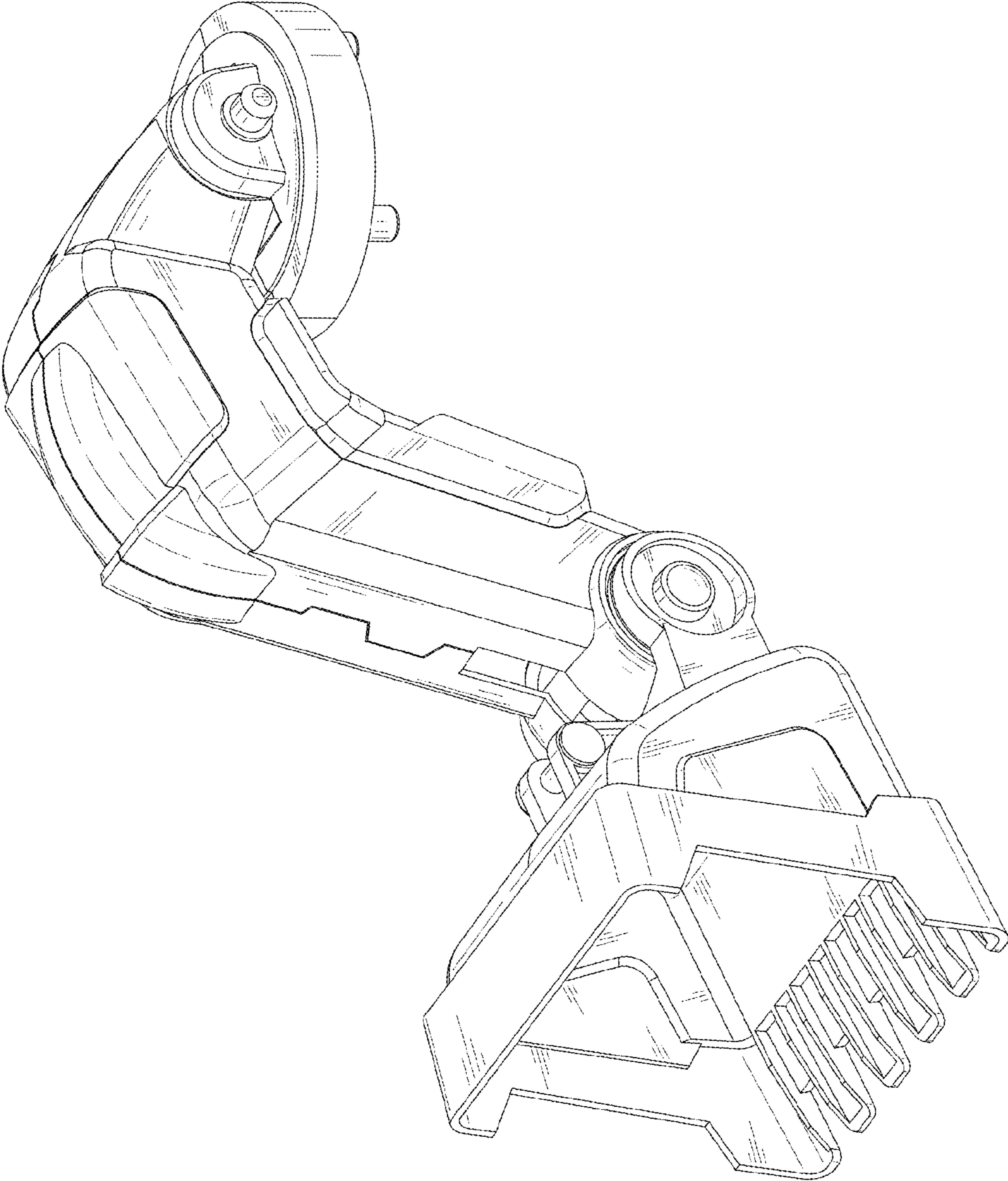


FIG. 20

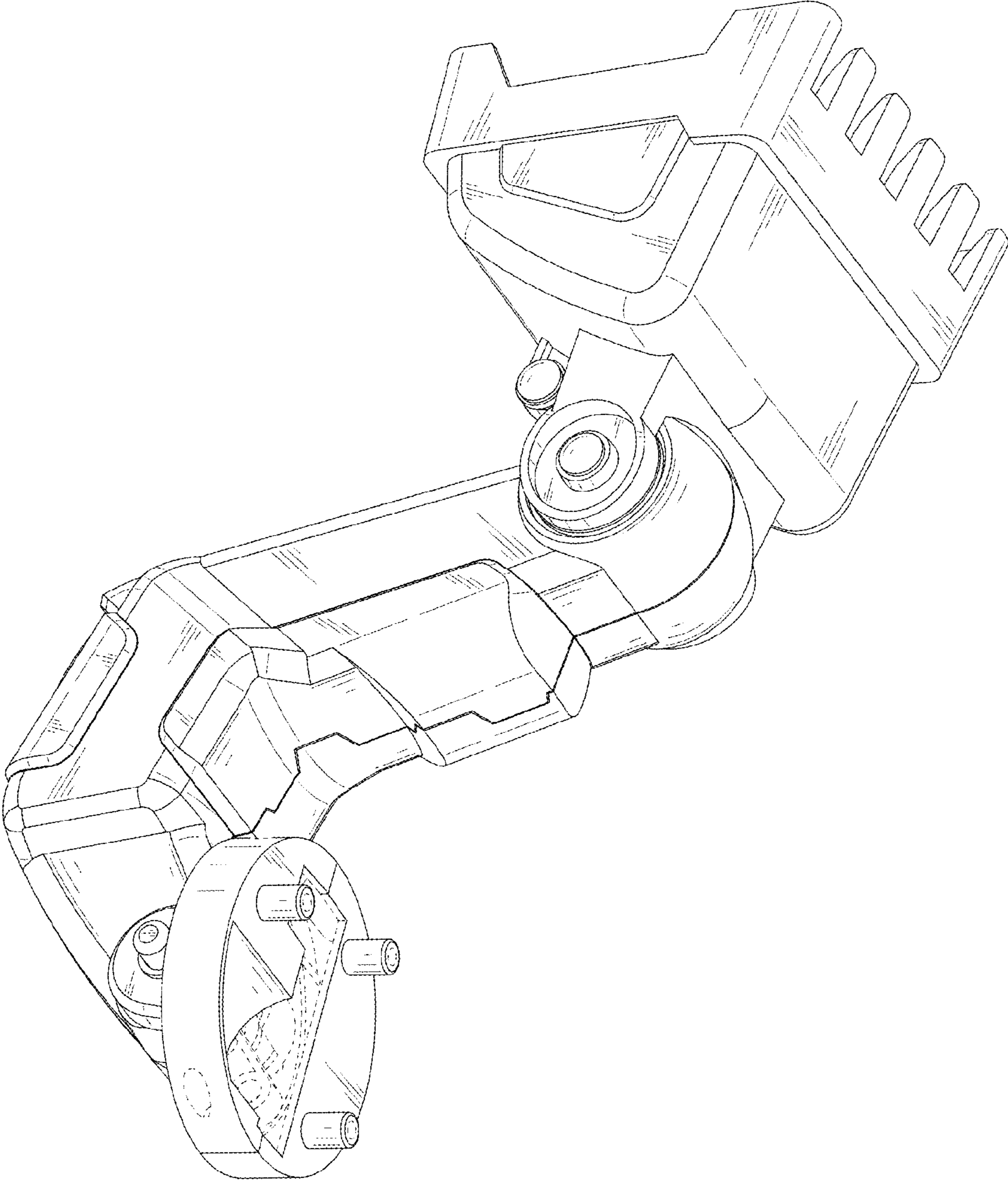


FIG. 21

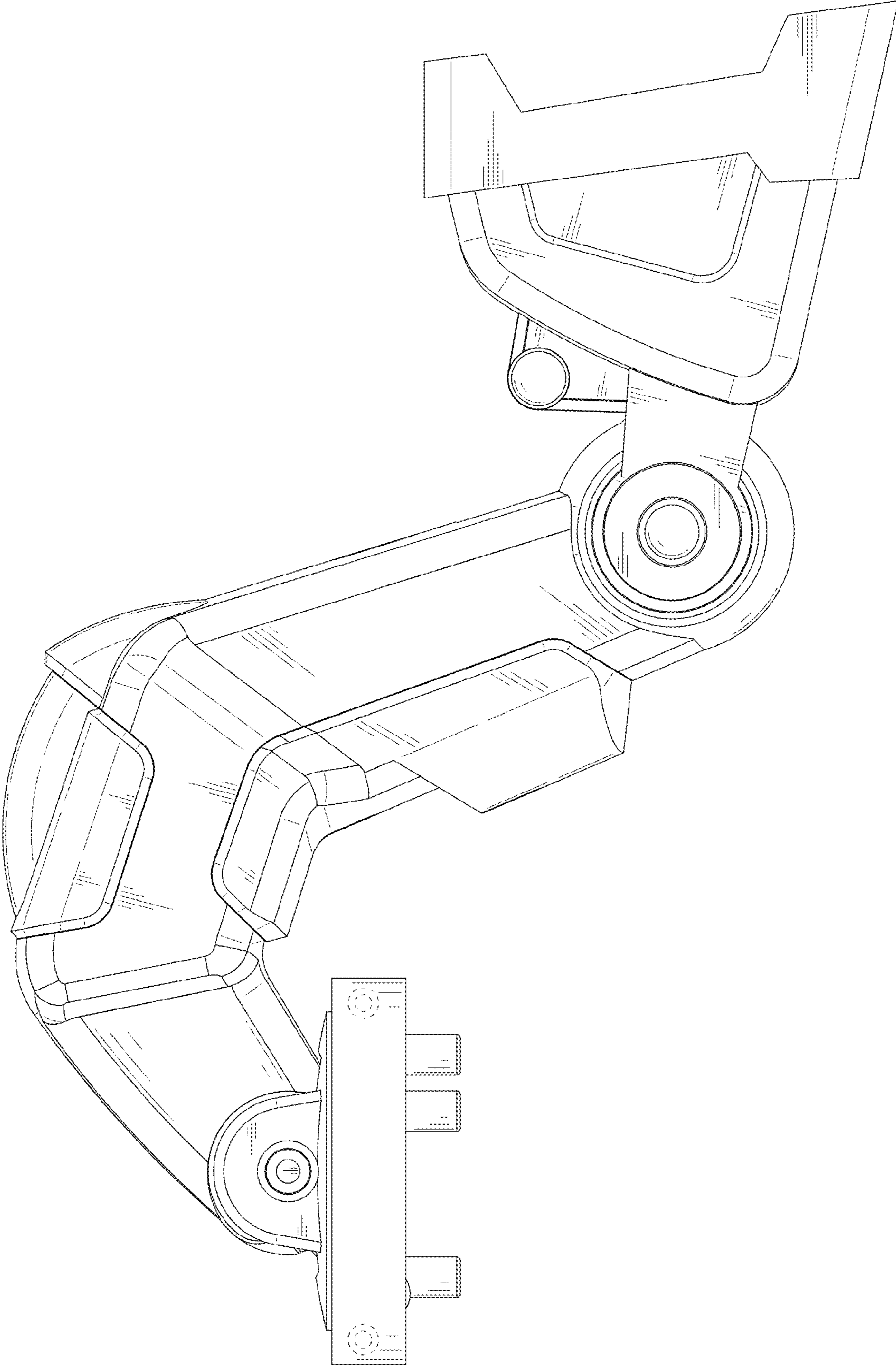


FIG. 22



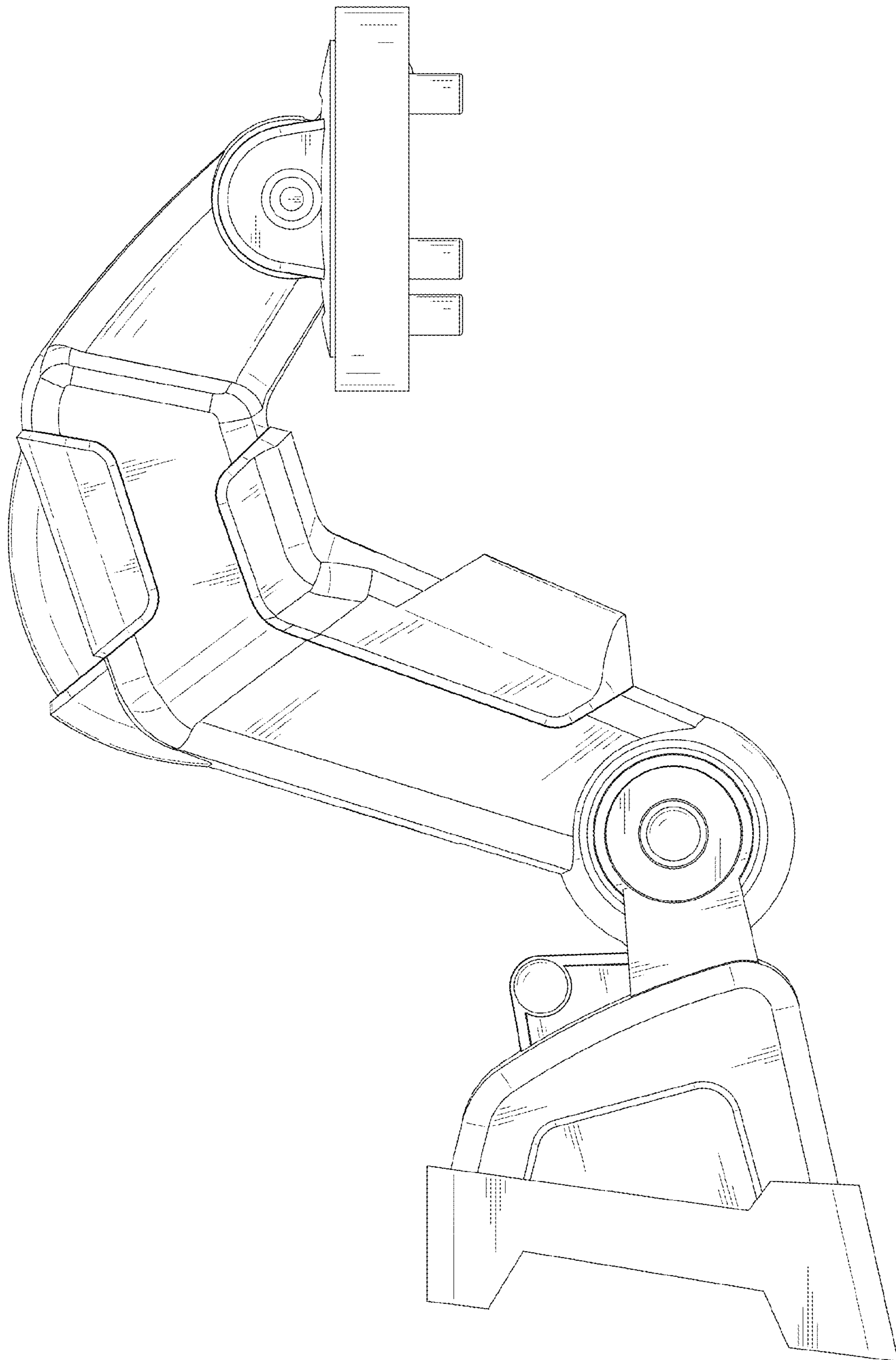


FIG. 23

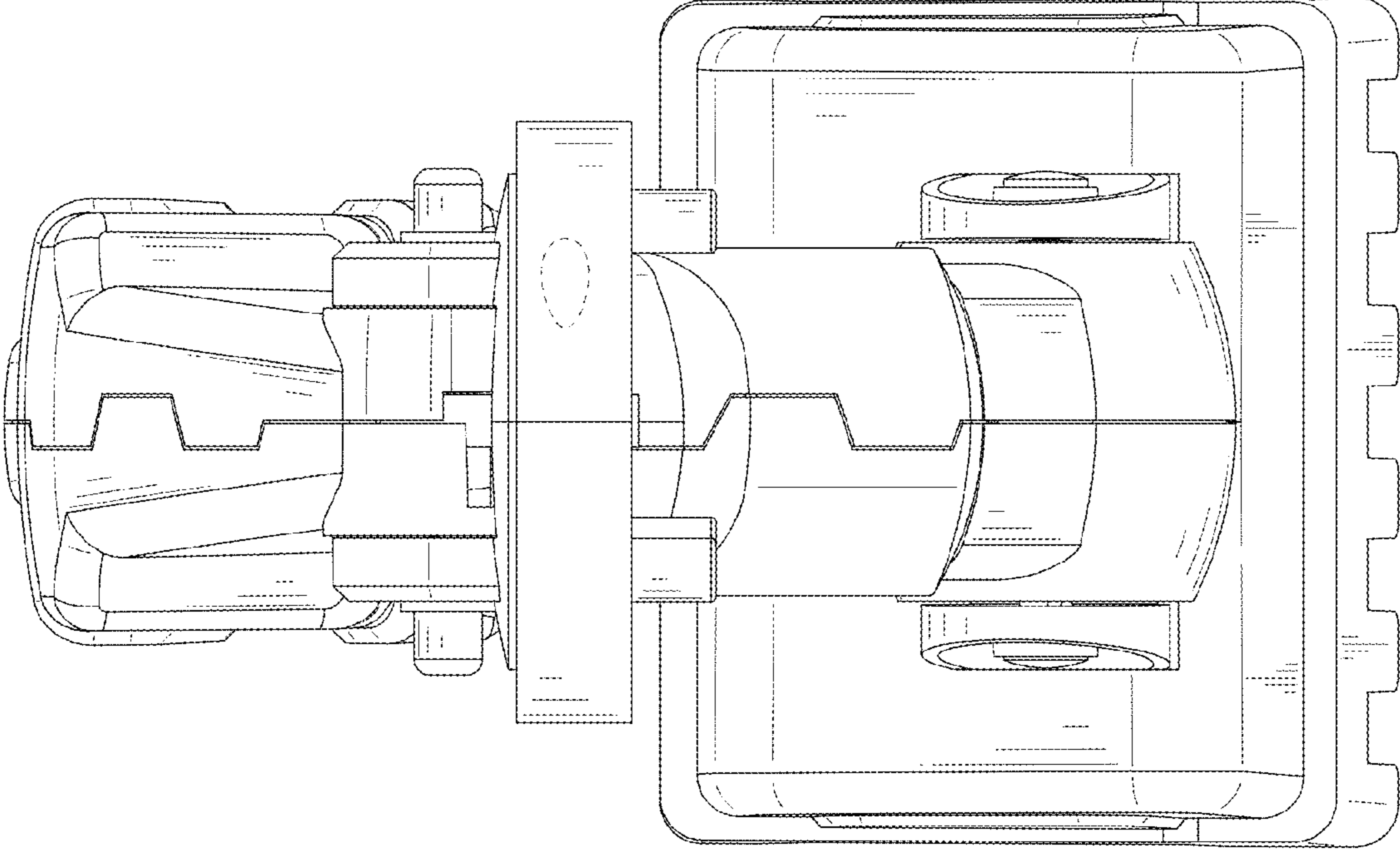


FIG. 24

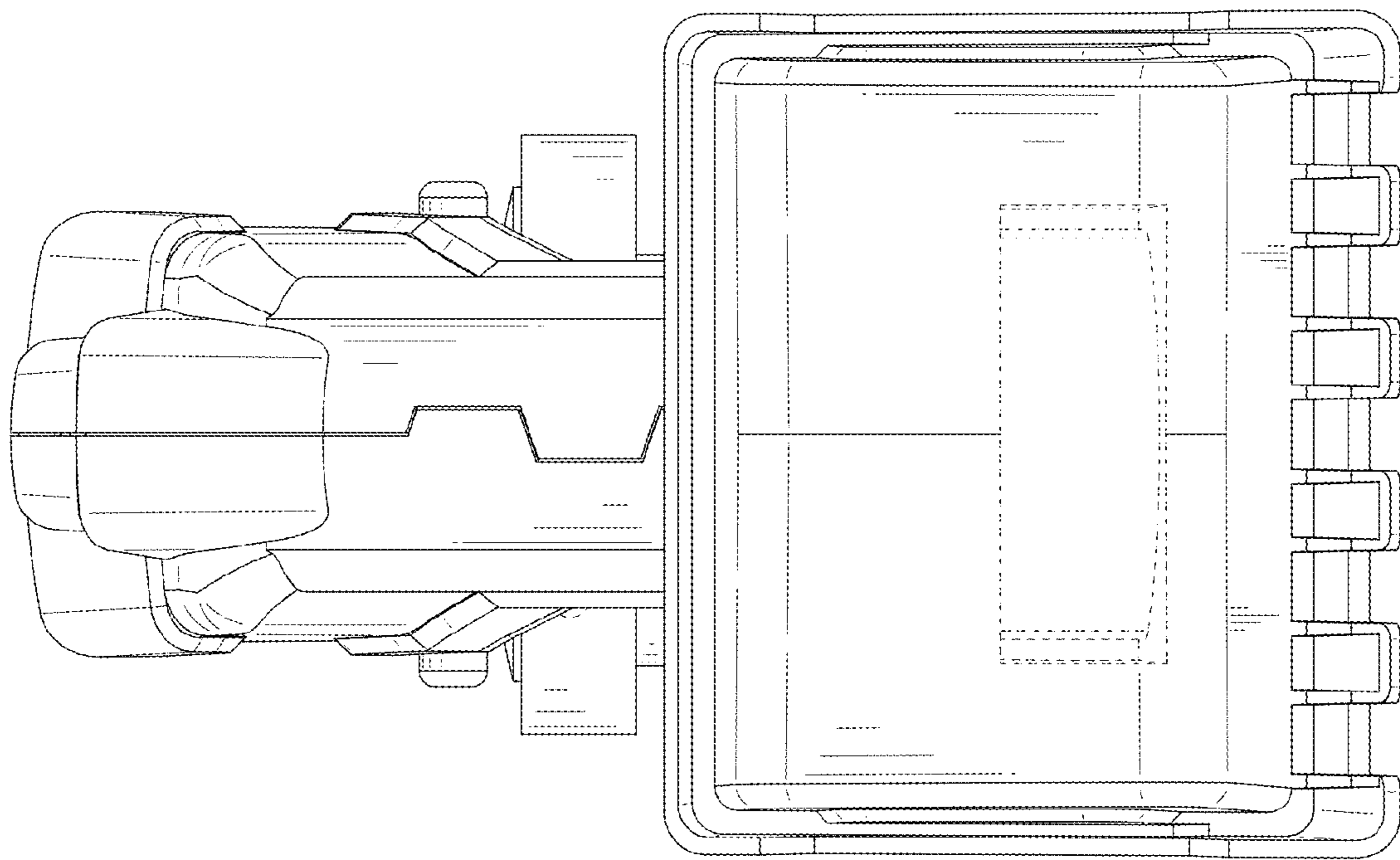


FIG. 25

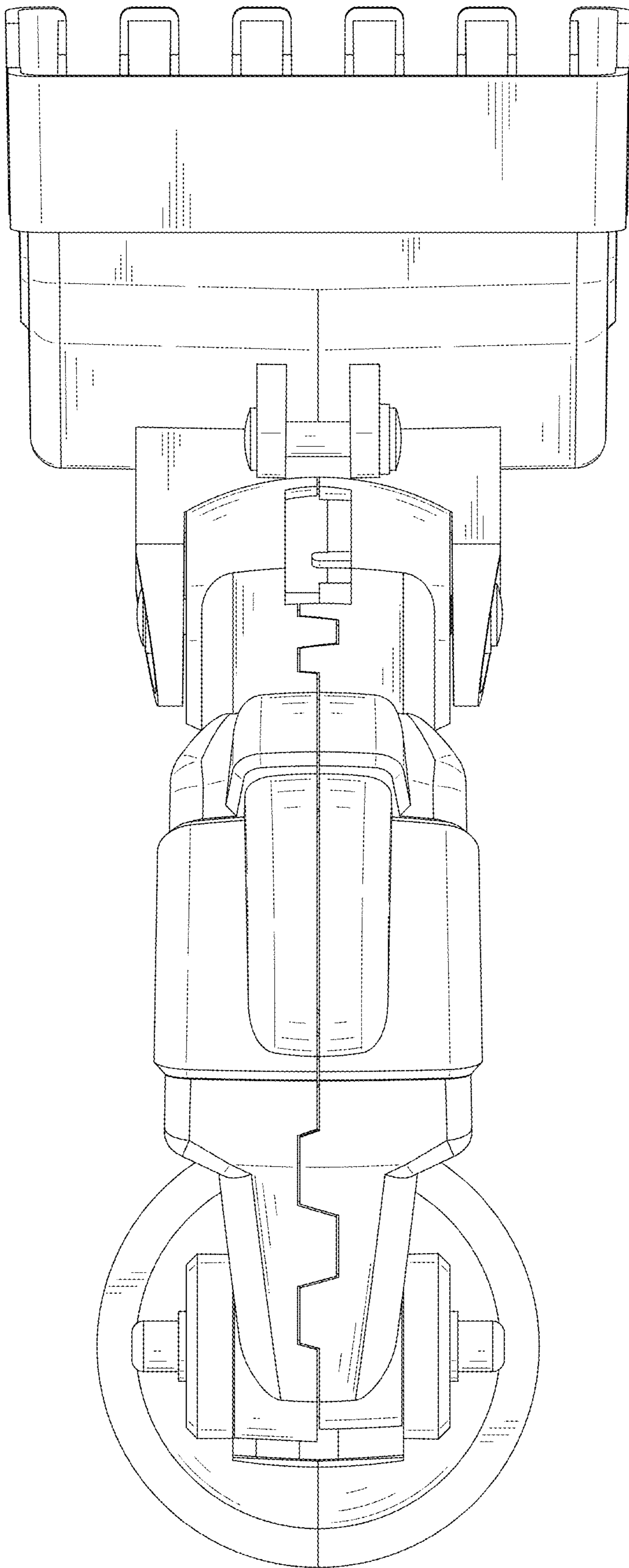


FIG. 26

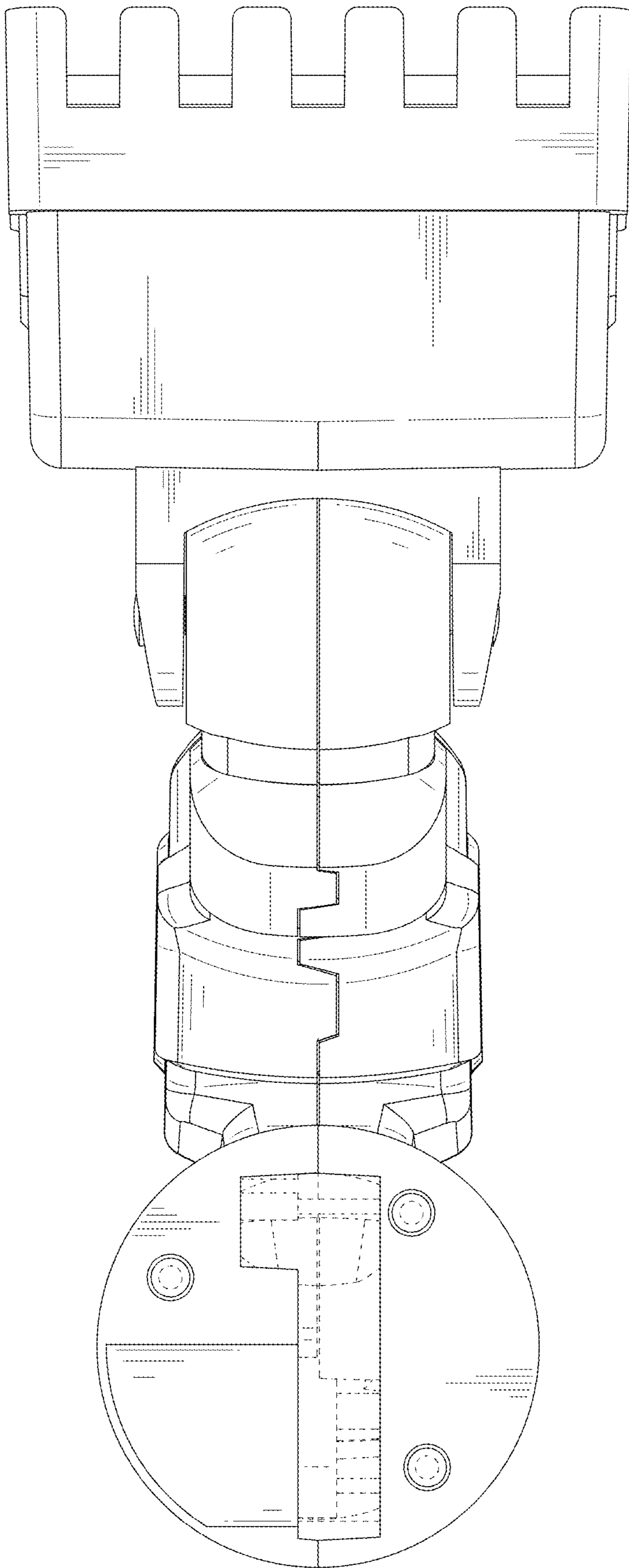


FIG. 27

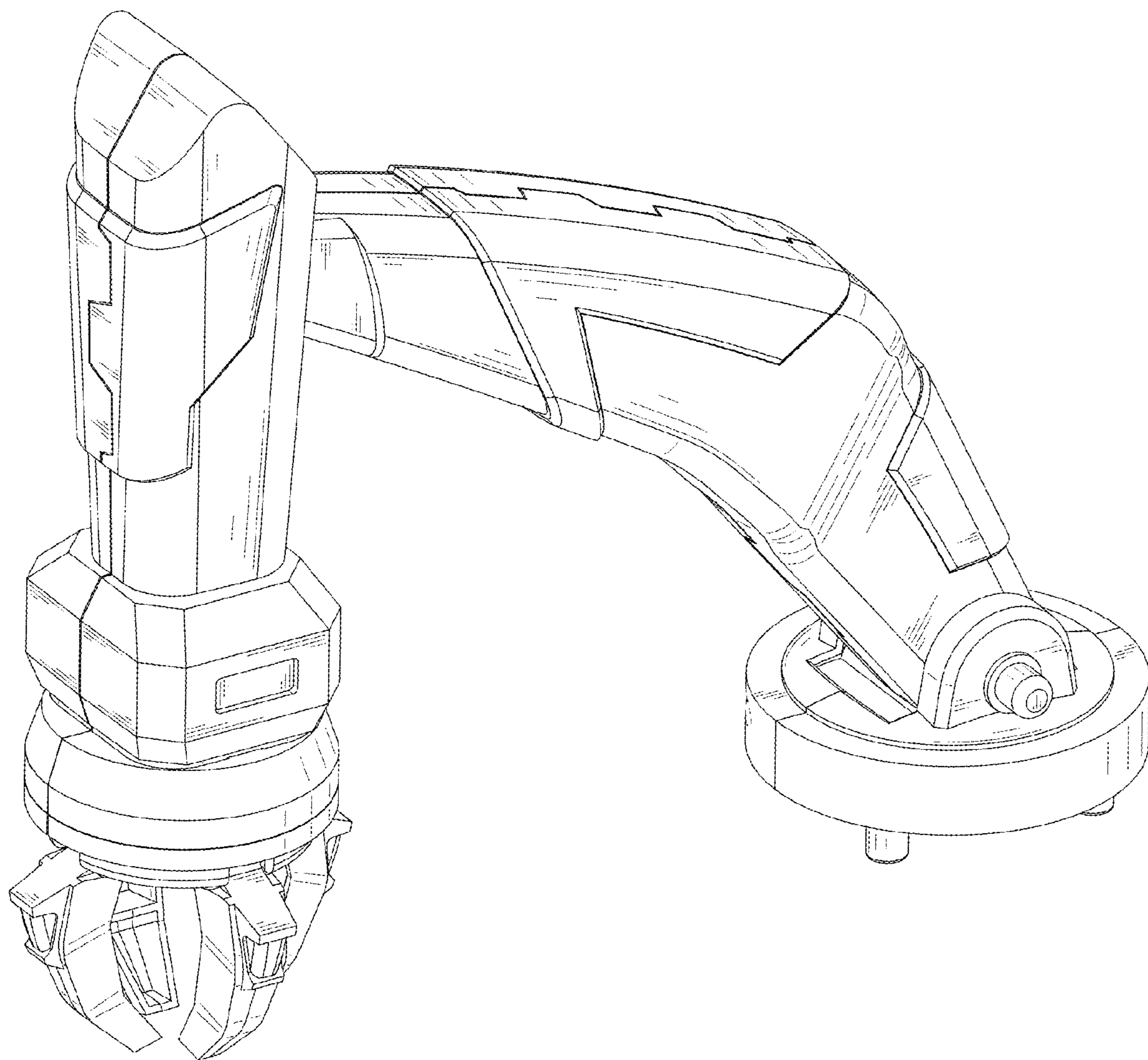


FIG. 28

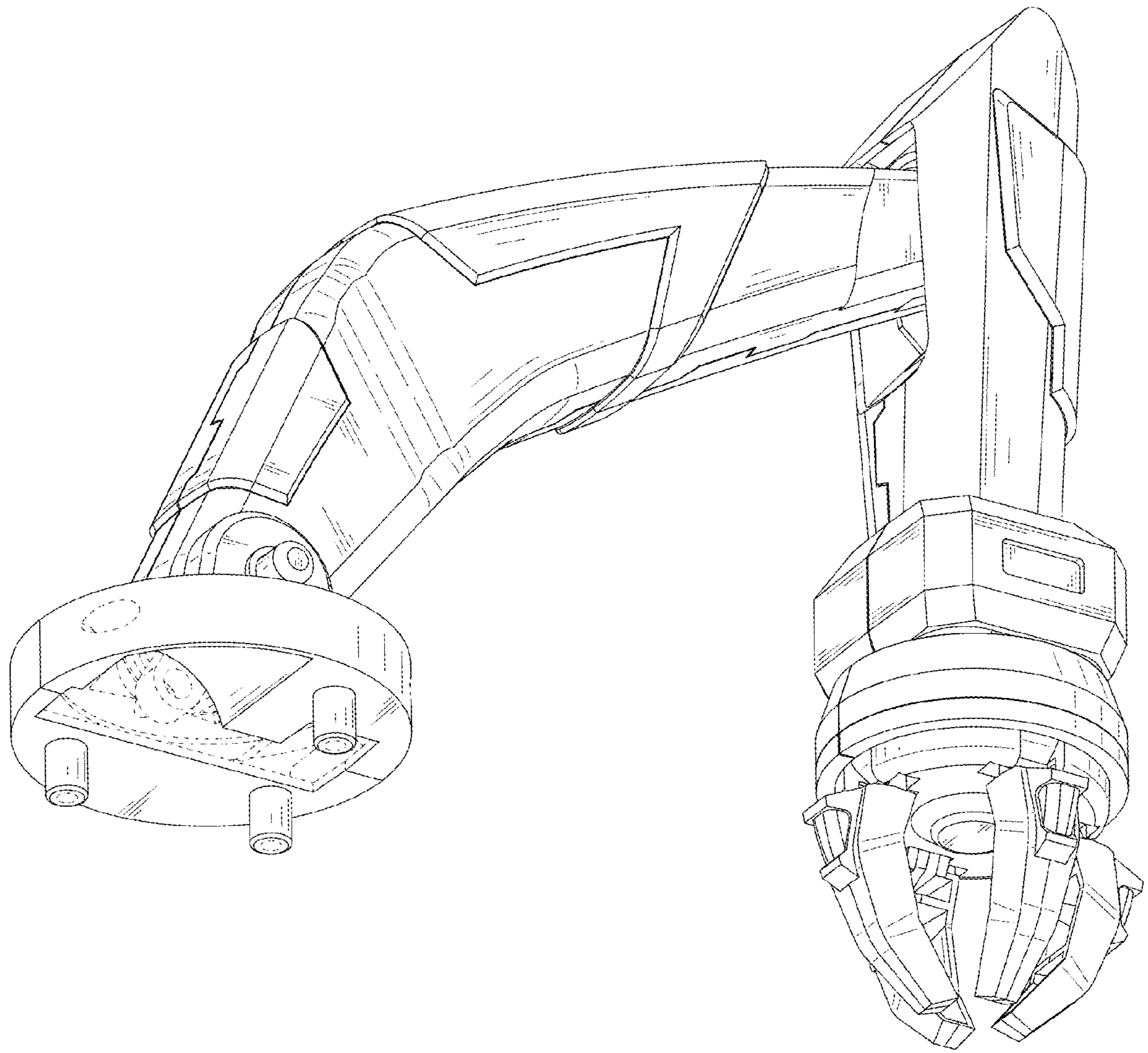


FIG. 29

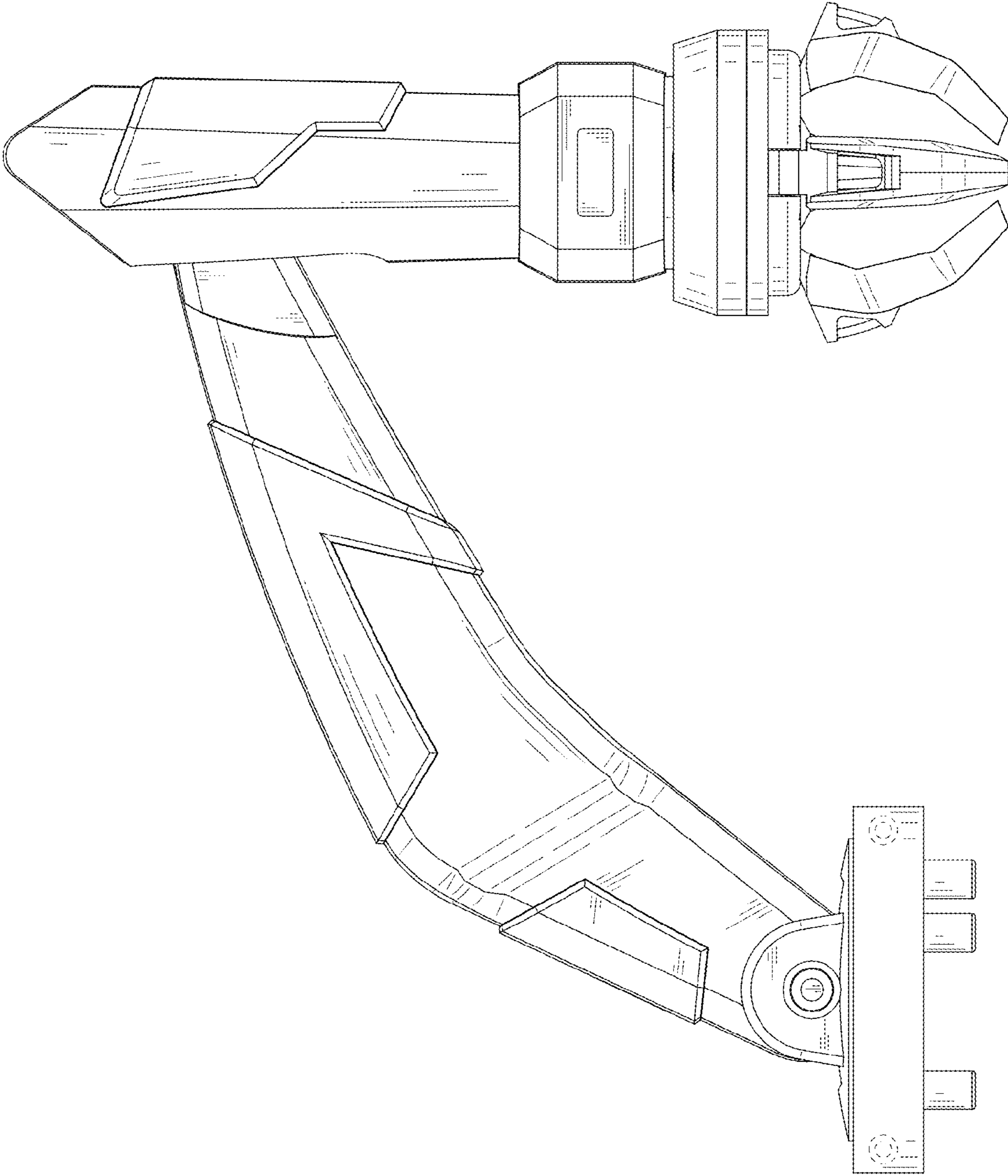


FIG. 30



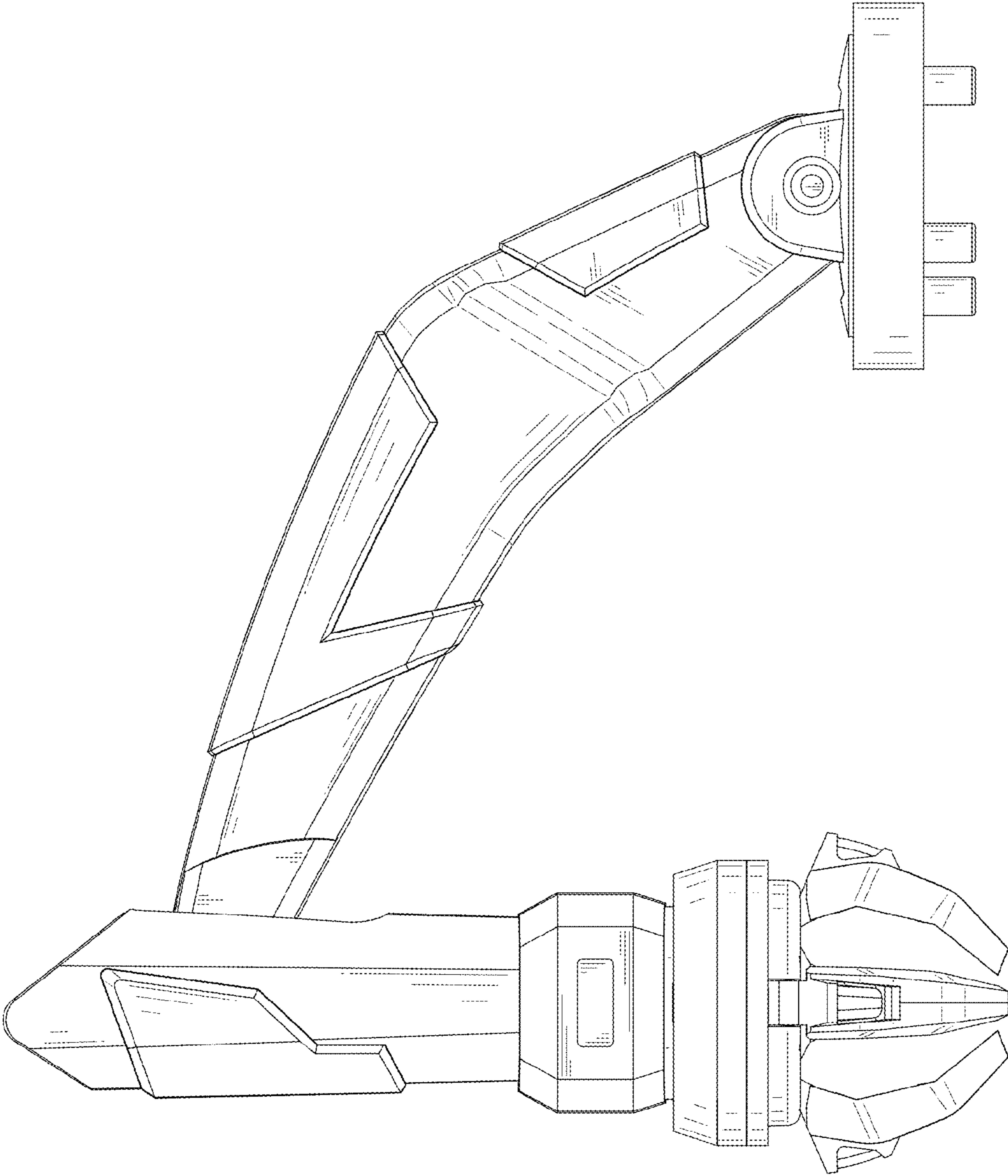


FIG. 31

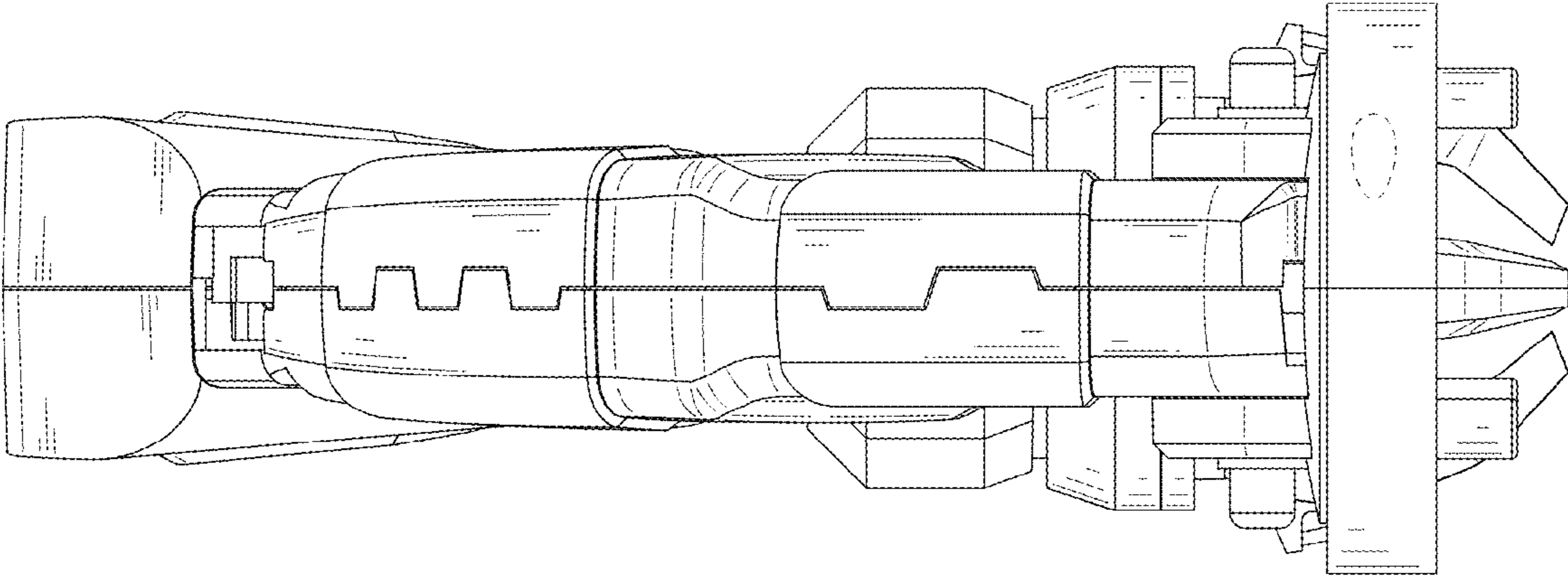


FIG. 32

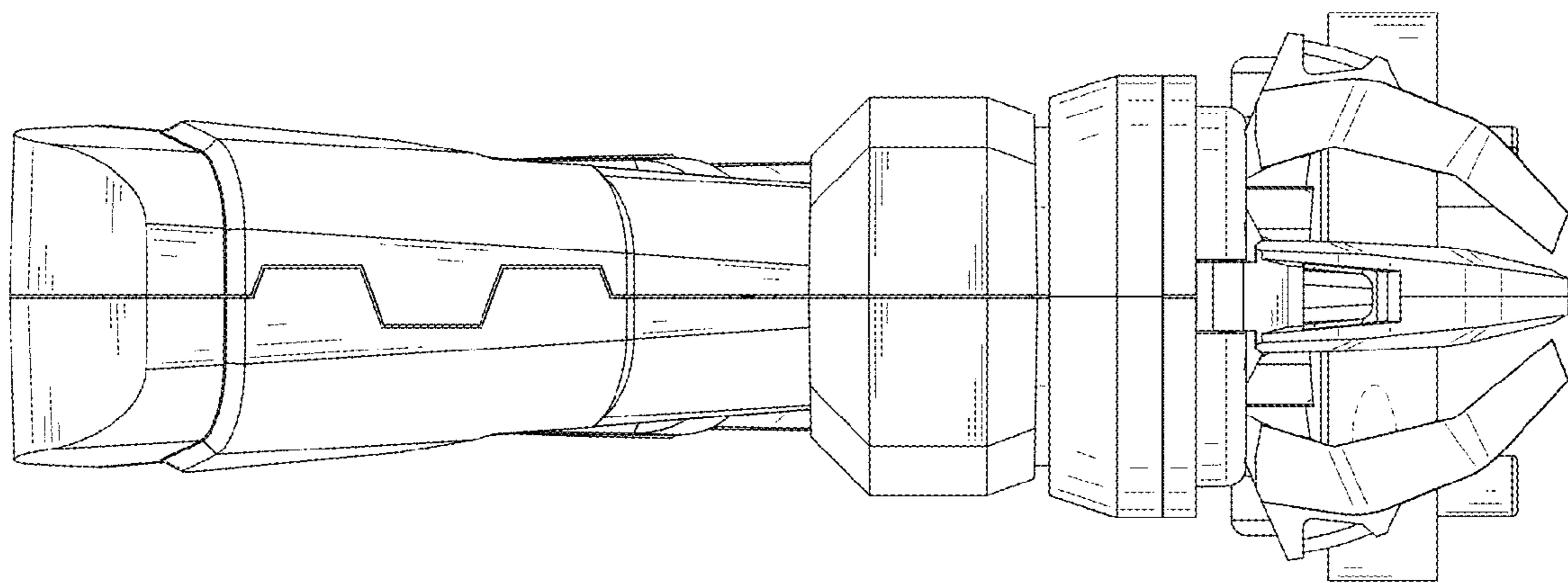


FIG. 33

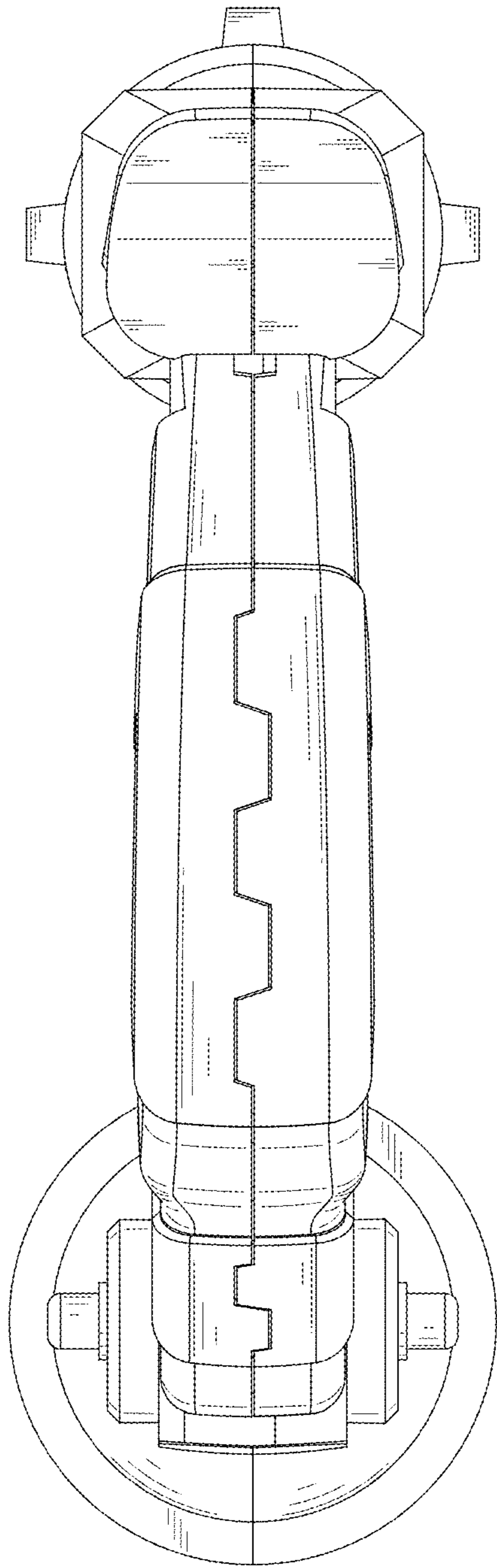


FIG. 34

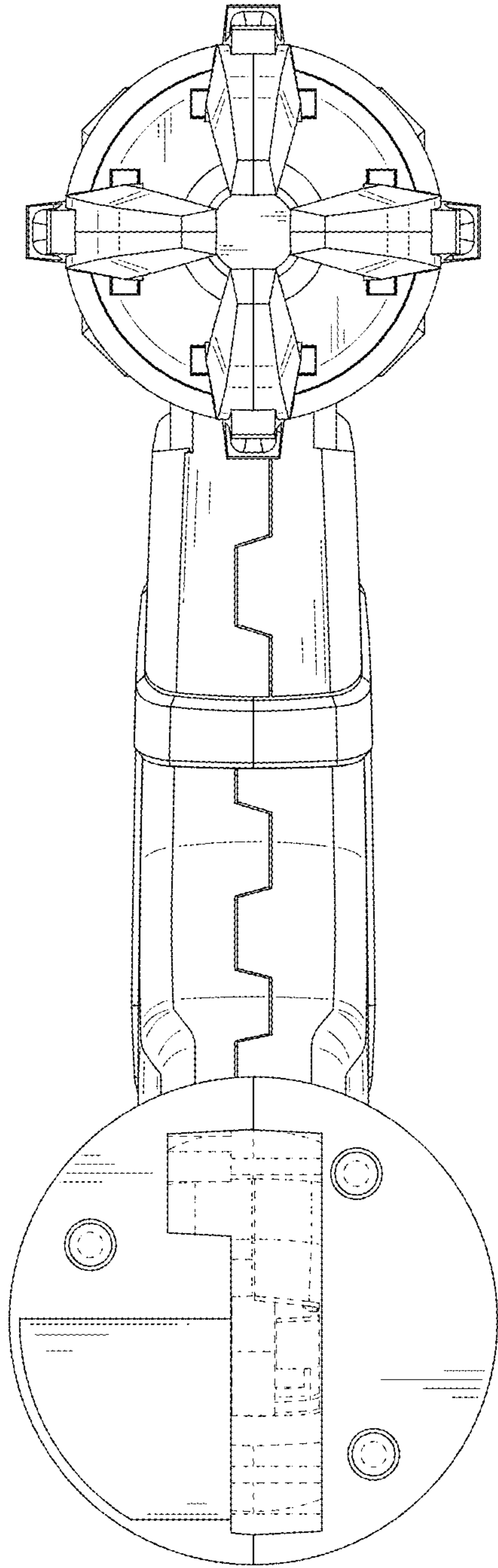


FIG. 35

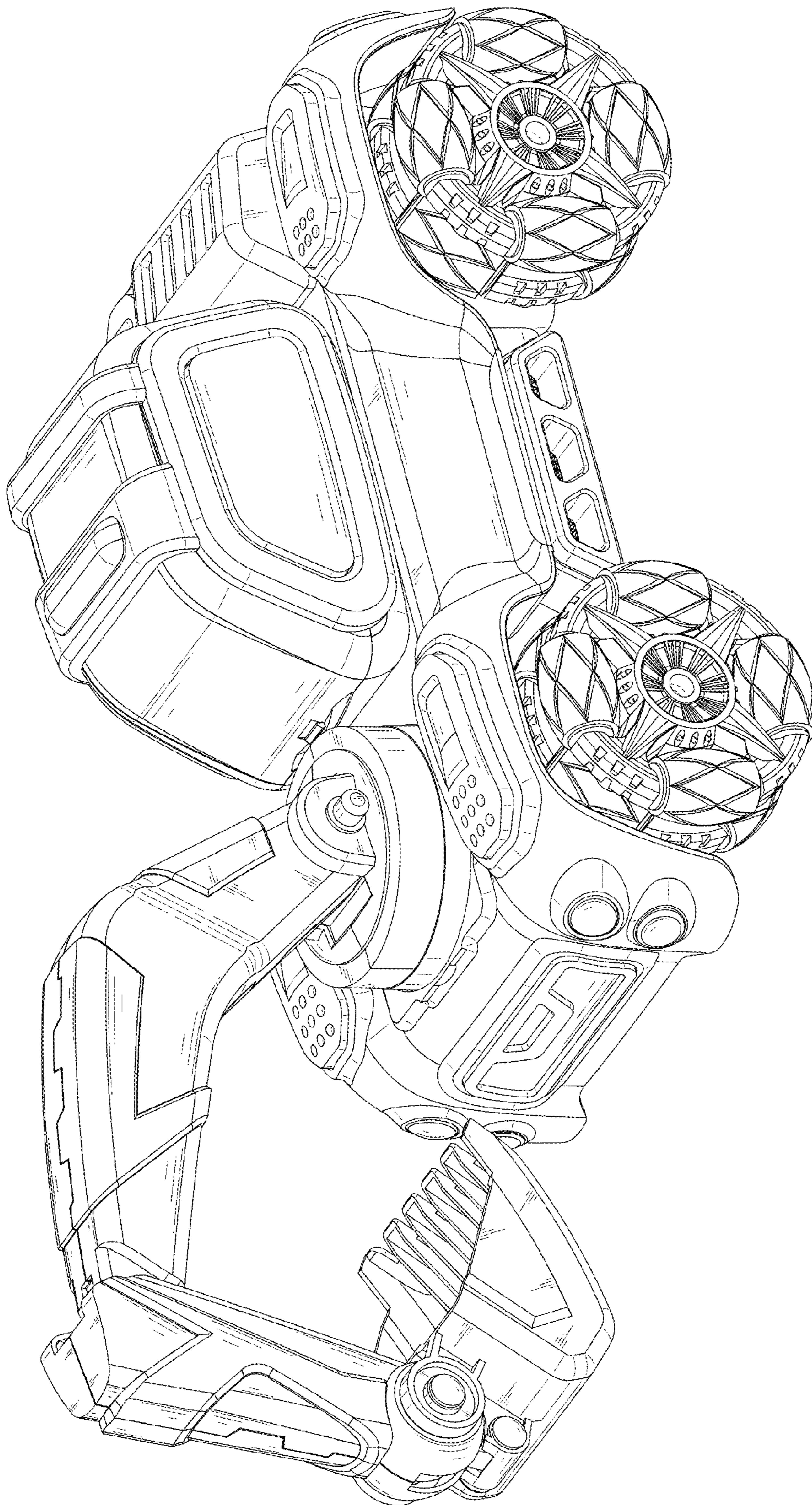


FIG. 36

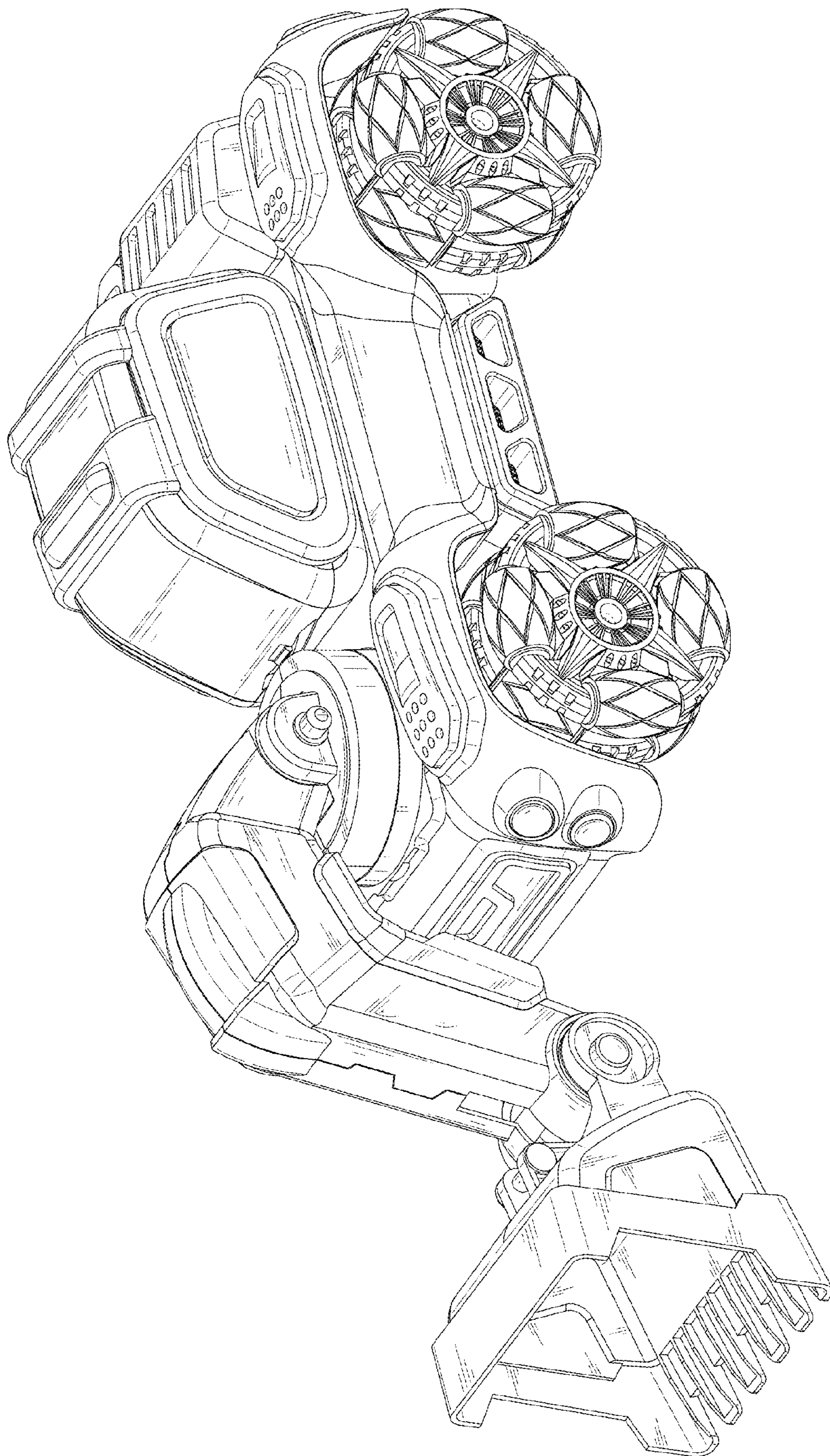


FIG. 37

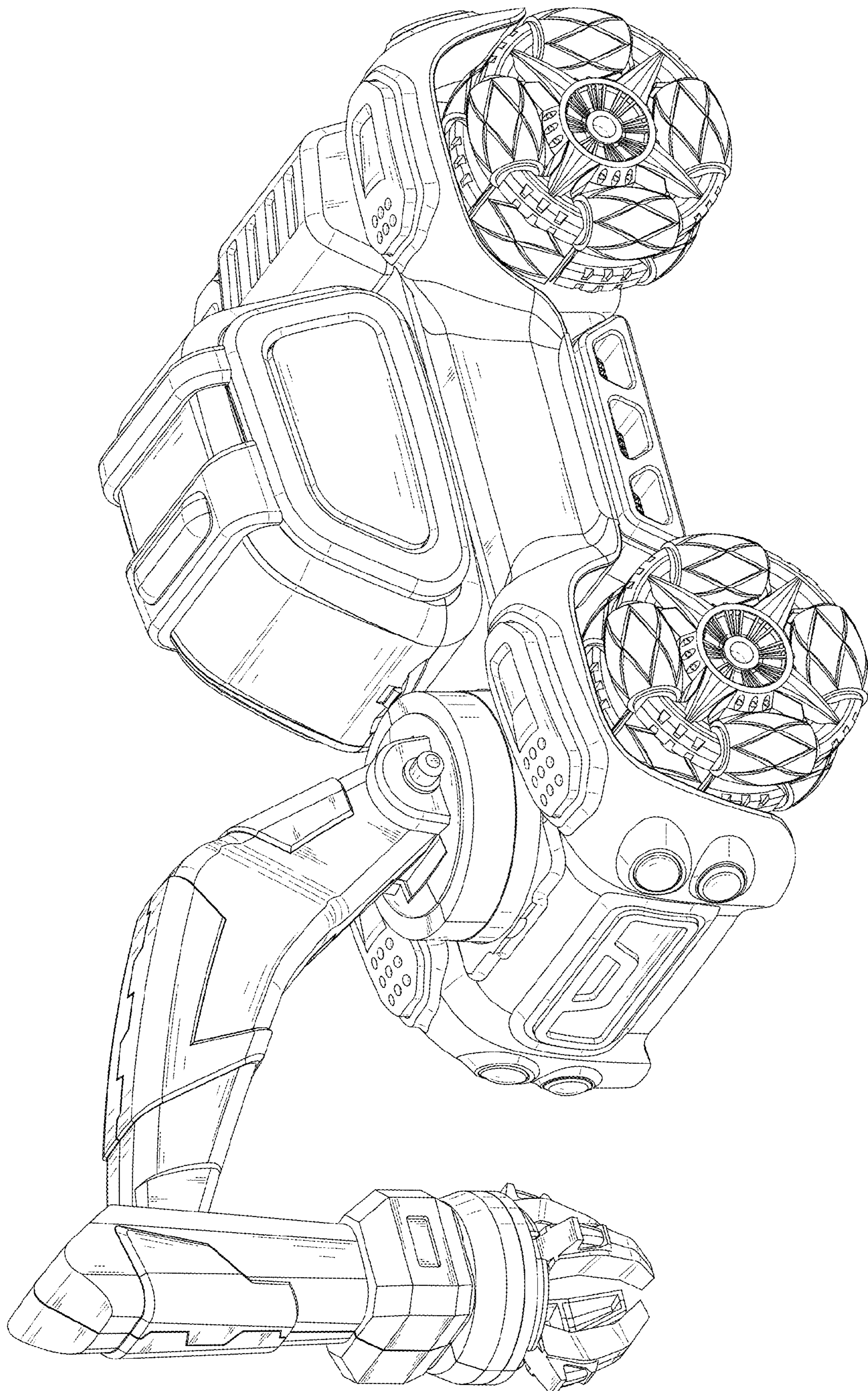


FIG. 38