



US00D952759S

(12) **United States Design Patent**  
**Davison et al.**

(10) **Patent No.:** **US D952,759 S**  
(45) **Date of Patent:** **\*\* May 24, 2022**

- (54) **TREE HOUSE PLAYSET**
- (71) Applicant: **Inventionland, LLC.**, Pittsburgh, PA (US)
- (72) Inventors: **George M. Davison**, Pittsburgh, PA (US); **Peter A. Meier**, Fenelton, PA (US); **Nathan R. Field**, Tarentum, PA (US); **Jeffrey Clayton Carlino**, Pittsburgh, PA (US); **Jarrod L. Campbell**, Verona, PA (US)
- (73) Assignee: **Inventionland, LLC.**, Pittsburgh, PA (US)
- (\*\*) Term: **15 Years**
- (21) Appl. No.: **29/719,005**
- (22) Filed: **Dec. 31, 2019**
- (51) **LOC (13) Cl.** ..... **21-01**
- (52) **U.S. Cl.**  
USPC ..... **D21/507; D21/820**
- (58) **Field of Classification Search**  
USPC ..... D21/506-511, 530, 820, 827, 831;  
D25/7; D30/112  
CPC ..... A63H 3/52; A63H 33/008; A63H 33/044  
See application file for complete search history.

6,443,849	B1 *	9/2002	Byrd	.....	A63B 9/00
					472/116
7,785,207	B2 *	8/2010	Henry	.....	A01G 9/022
					472/128
7,921,601	B2 *	4/2011	Henry	.....	A01G 23/043
					47/83
D678,960	S *	3/2013	Tamura	.....	D21/507
D717,885	S *	11/2014	Kasahara	.....	D21/506
D832,964	S *	11/2018	Keller	.....	D21/814
D901,600	S *	11/2020	Matsuyama	.....	D21/506
D901,602	S *	11/2020	Matsuyama	.....	D21/507
D942,577	S *	2/2022	Davison	.....	D21/827
D943,700	S *	2/2022	Diego	.....	D21/827
2019/0116991	A1 *	4/2019	Abukar	.....	A47D 15/003

\* cited by examiner

*Primary Examiner* — Cynthia M. Chin  
(74) *Attorney, Agent, or Firm* — David M. DeMay

(57) **CLAIM**

We claim the ornamental design for a tree house playset, as shown and described.

**DESCRIPTION**

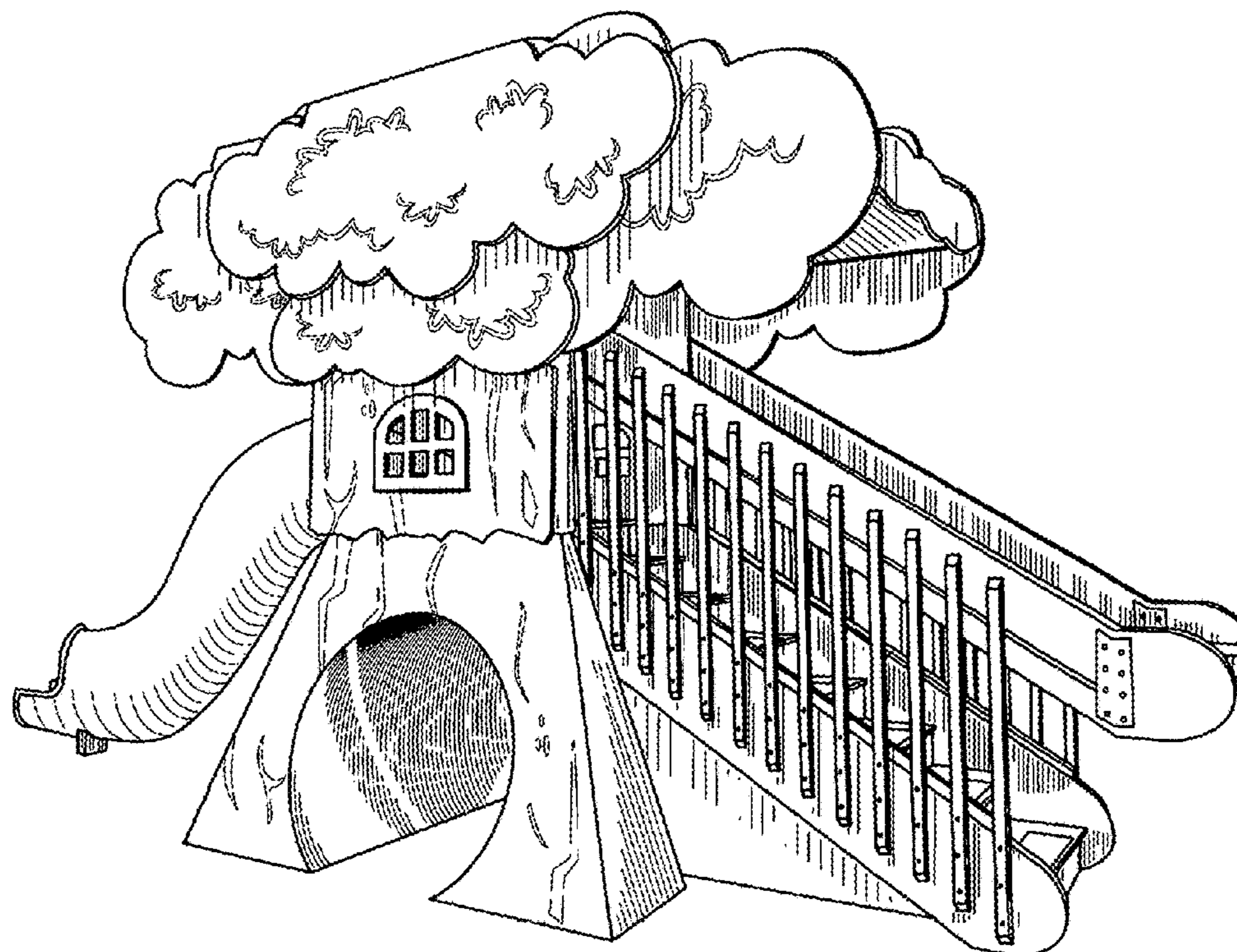
FIG. 1 is a front perspective view of the tree house playset showing the new design;  
FIG. 2 is a rear perspective view thereof;  
FIG. 3 is a front elevation view thereof; the rear elevation view being a mirror image thereto;  
FIG. 4 is a right side elevation view thereof;  
FIG. 5 is a left side elevation view thereof; and,  
FIG. 6 is a top plan view thereof.

**1 Claim, 6 Drawing Sheets**

(56) **References Cited**

**U.S. PATENT DOCUMENTS**

D254,678	S *	4/1980	Holden	.....	D21/507
5,722,874	A *	3/1998	Horton	.....	A63H 3/52
					446/476



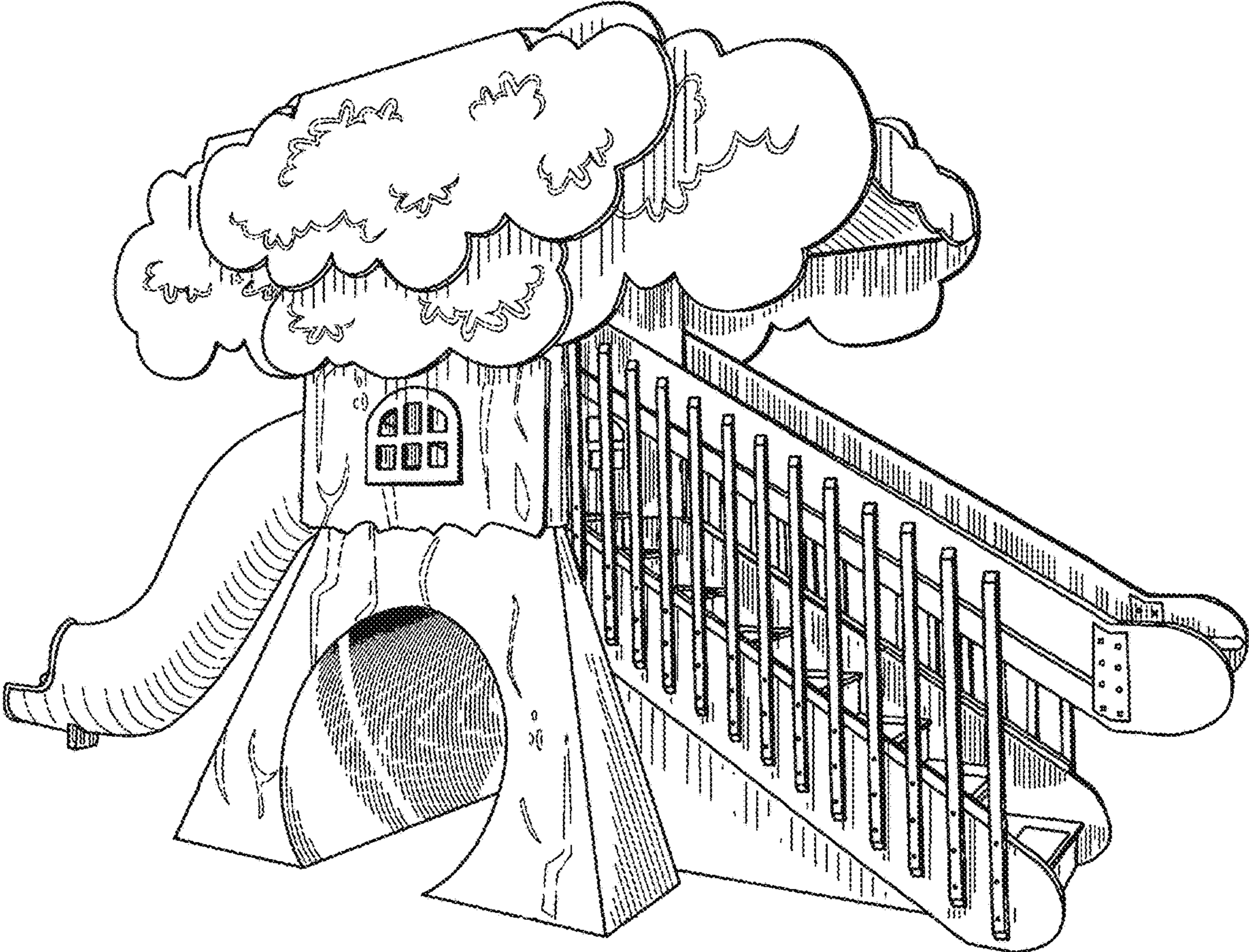


Figure 1

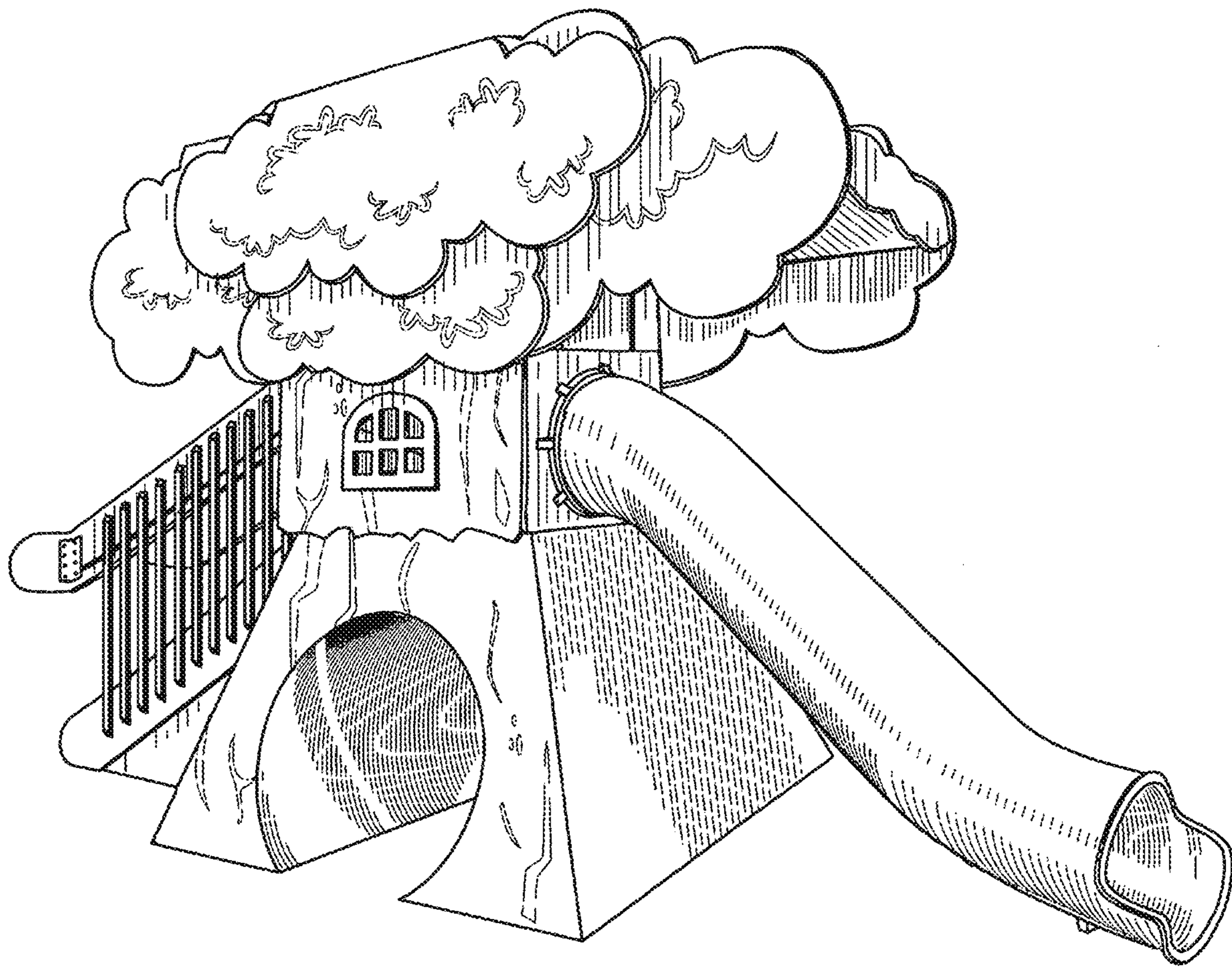


Figure 2

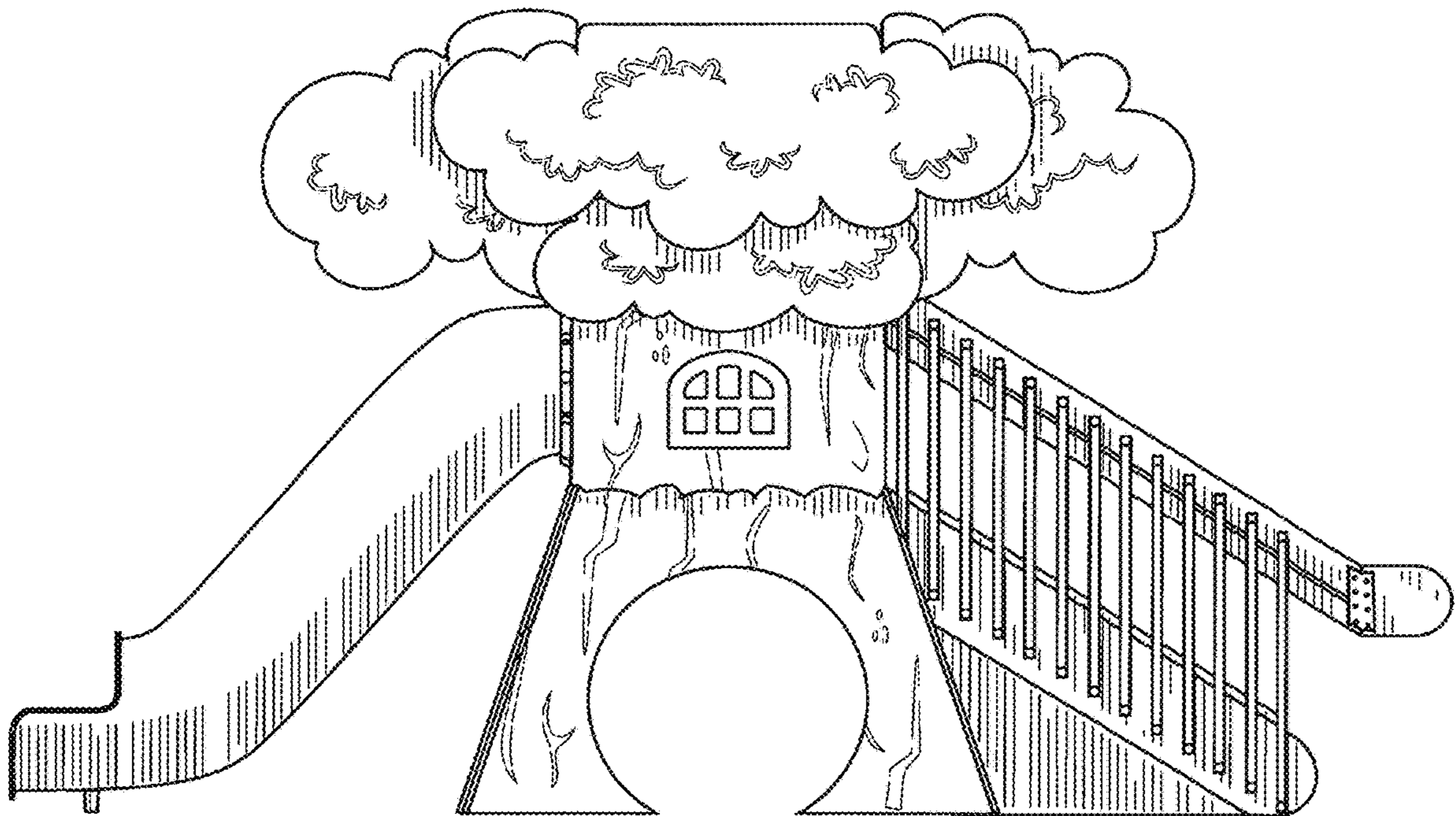


Figure 3

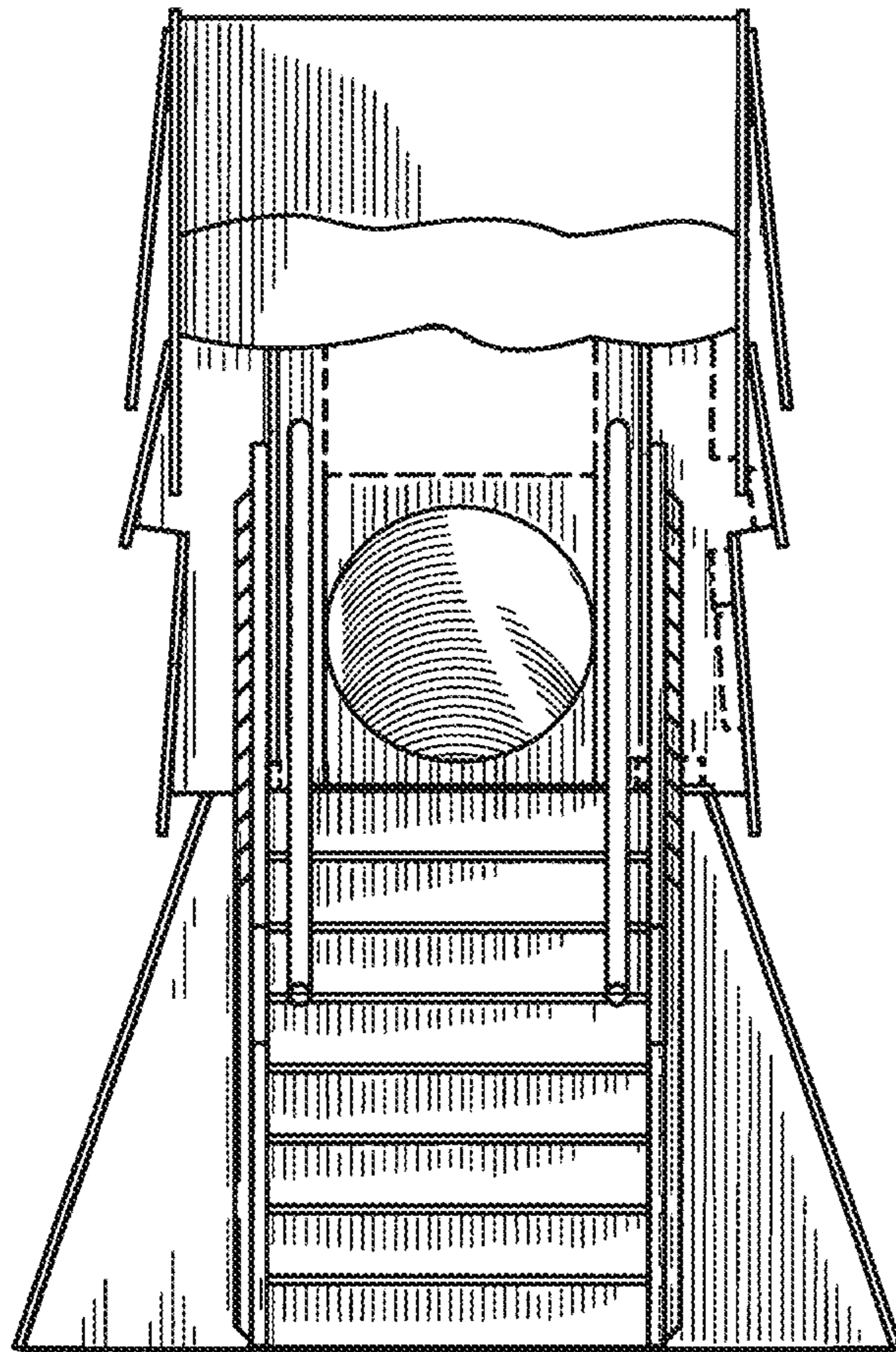


Figure 4

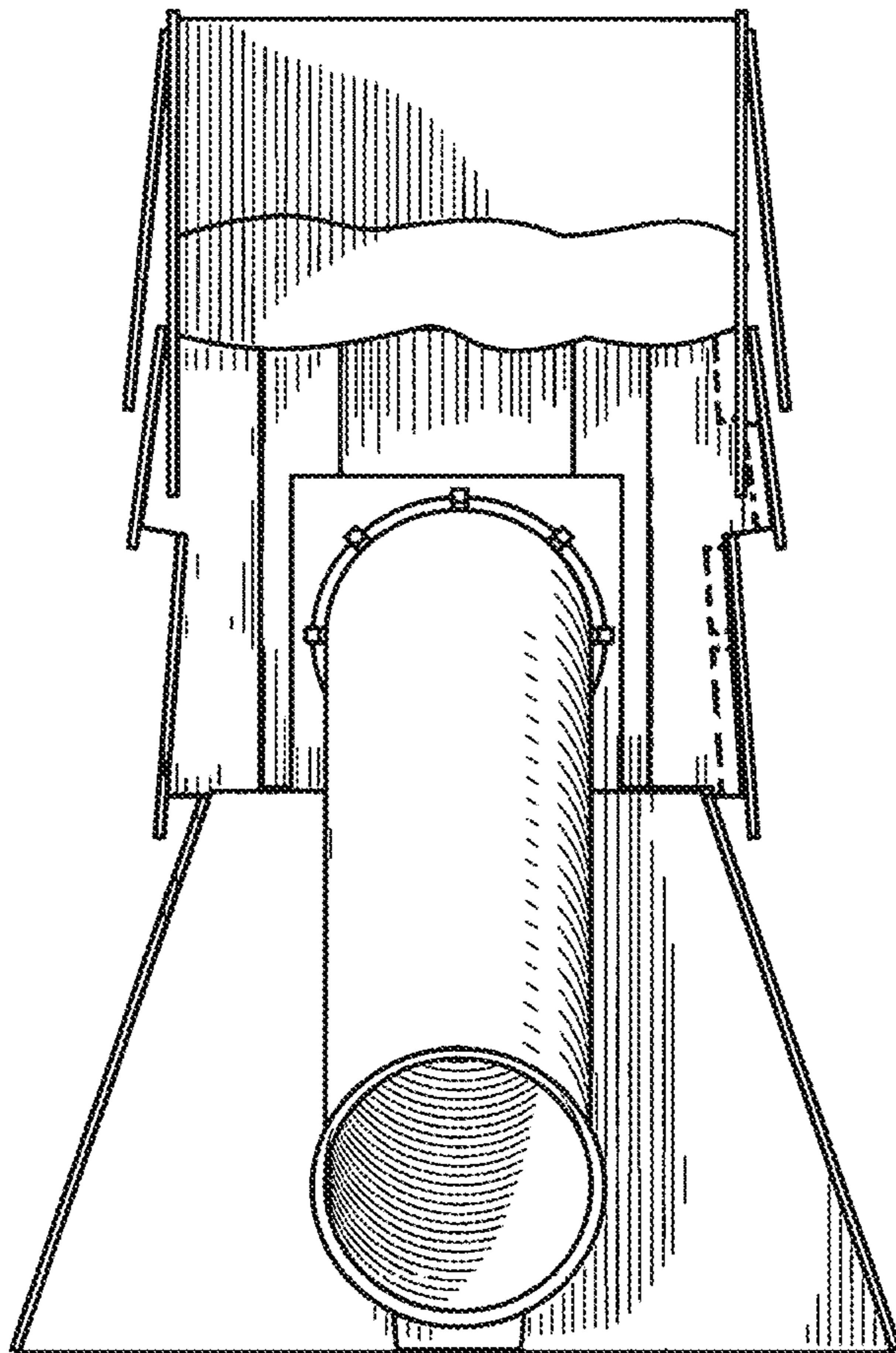


Figure 5

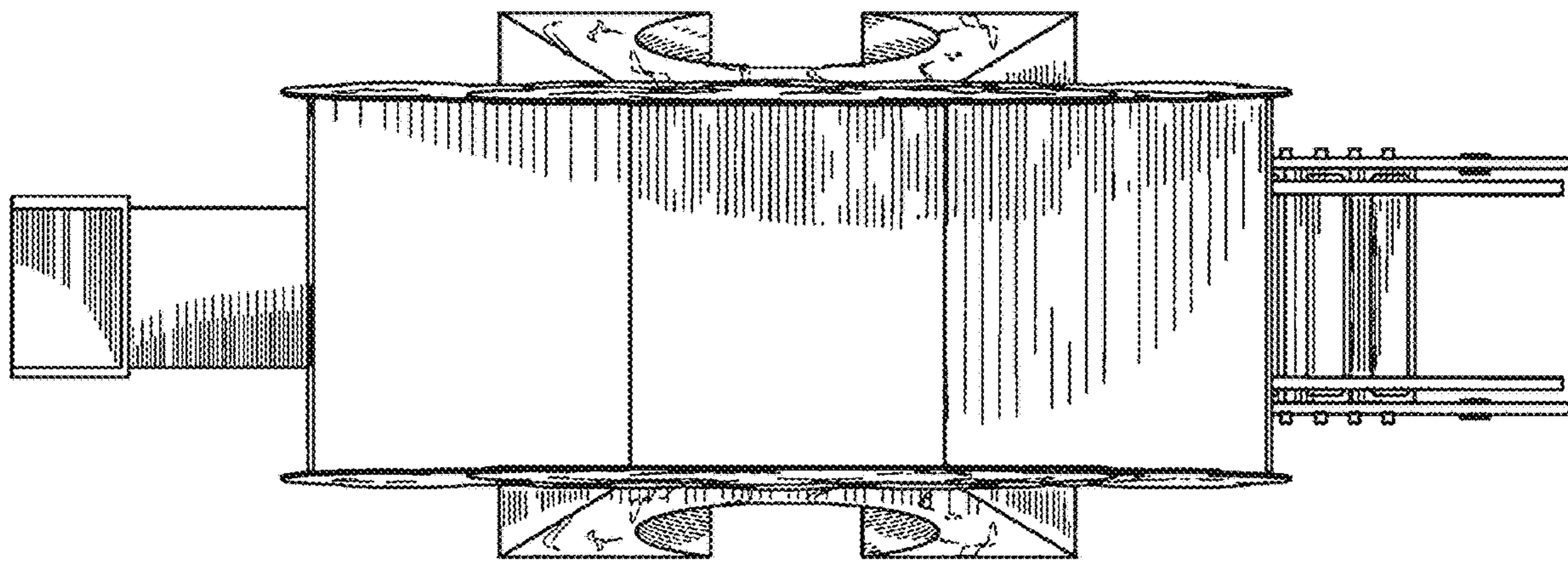


Figure 6