



US00D952756S

(12) **United States Design Patent**  
**Ho et al.**

(10) **Patent No.:** **US D952,756 S**

(45) **Date of Patent:** **\*\* May 24, 2022**

(54) **MUSICAL TOY**

(71) Applicant: **KIDS2, INC.**, Atlanta, GA (US)

(72) Inventors: **Tsz Kin Ho**, Hong Kong (CN); **Adam Shillito**, Ningbo (CN)

(73) Assignee: **KIDS II HAPE JOINT VENTURE LIMITED**, Kowloon (HK)

(\*\*) Term: **15 Years**

(21) Appl. No.: **29/714,681**

(22) Filed: **Nov. 25, 2019**

(51) **LOC (13) Cl.** ..... **21-02**

(52) **U.S. Cl.**  
USPC ..... **D21/405**

(58) **Field of Classification Search**  
USPC ..... D21/405.441, 443, 444; D17/22, 23;  
D10/149; D14/149, 159, 188, 189, 192,  
D14/216, 243, 420, 444; D19/59, 60  
CPC ..... G09B 15/00; G09B 5/06; A63H 33/22;  
A63H 5/00; G06F 3/044; G06F 3/165;  
G06F 3/0202; H03K 17/9622  
See application file for complete search history.

(56) **References Cited**

**U.S. PATENT DOCUMENTS**

D133,173 S *	7/1942	Brooks	.....	D14/192
D205,185 S *	7/1966	Ryan	.....	D21/405
D300,322 S *	3/1989	Lam	.....	D14/189
D304,944 S *	12/1989	Behringer	.....	D14/188
4,892,023 A	1/1990	Takeuchi et al.		
4,911,053 A	3/1990	Kashio et al.		
D319,249 S *	8/1991	Aluisi	.....	D17/22
5,135,426 A	8/1992	Lin		
D350,755 S *	9/1994	Tou	.....	D14/189
D369,191 S *	4/1996	Dunipace	.....	D21/443
D386,223 S *	11/1997	Imai	.....	D21/444
D387,817 S *	12/1997	Noyes	.....	D21/443

D466,562 S *	12/2002	Peterson	.....	D21/443
D466,954 S *	12/2002	Vodhanel, Jr.	.....	D21/443
D474,169 S *	5/2003	Fletcher	.....	D14/159
D495,756 S *	9/2004	Carley	.....	D21/405
6,991,509 B1	1/2006	Carley et al.		
D548,409 S *	8/2007	Renforth	.....	D21/444
7,252,510 B1	8/2007	Basu et al.		

(Continued)

**FOREIGN PATENT DOCUMENTS**

CA	2484914 A1	12/2003
CN	103908780 A	7/2014
WO	2005053806 A2	6/2005

*Primary Examiner* — Mehri F Bajoul

(74) *Attorney, Agent, or Firm* — Gardner Groff & Greenwald, PC

(57) **CLAIM**

The ornamental design for a musical toy, as shown and described.

**DESCRIPTION**

FIG. 1 is a top perspective view of a musical toy, showing the new design.

FIG. 2 is a bottom perspective view of the musical toy of FIG. 1.

FIG. 3 is a front elevational view of the musical toy of FIG. 1.

FIG. 4 is a back elevational view of the musical toy of FIG. 1.

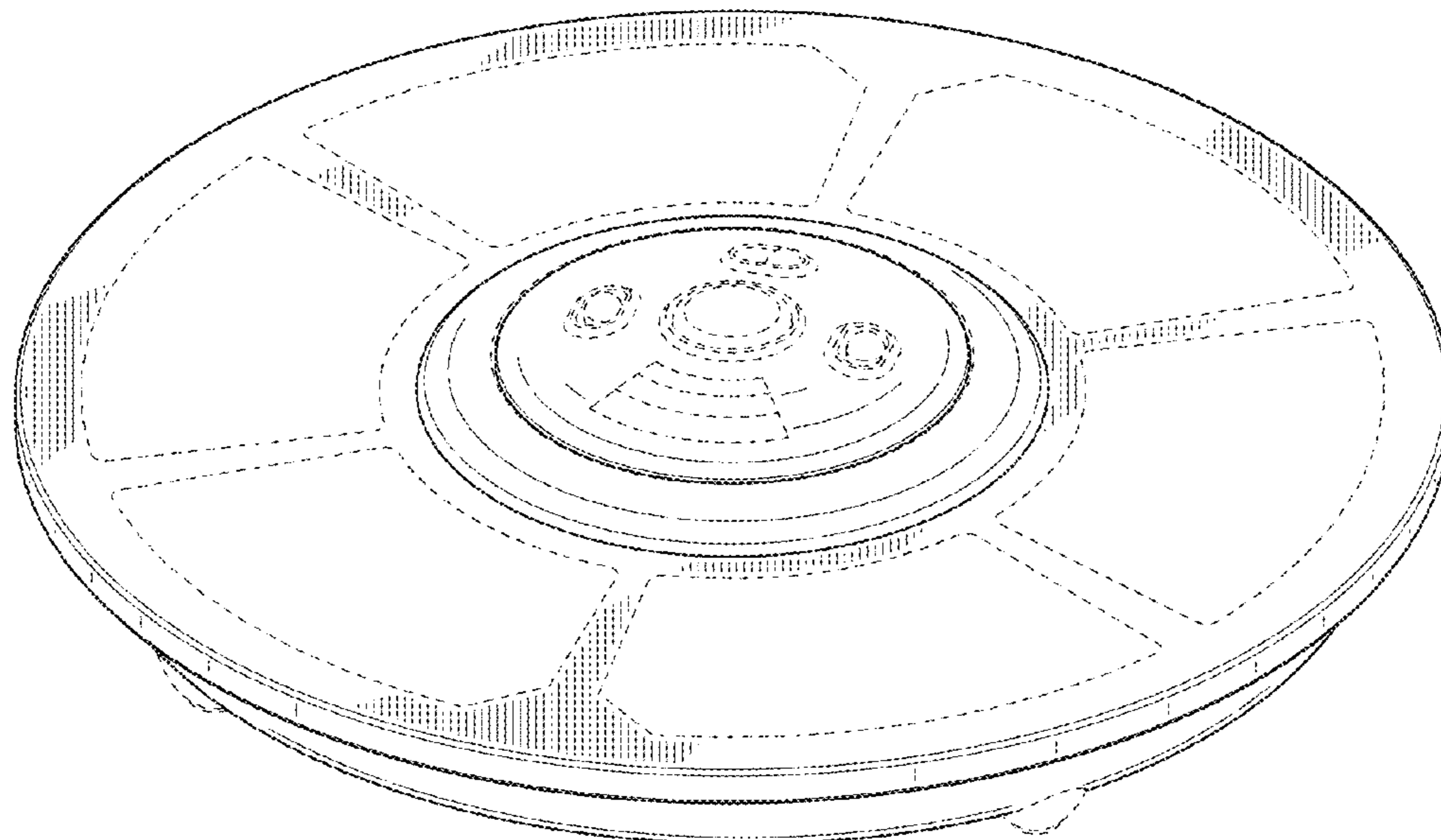
FIG. 5 is a left elevational view of the musical toy of FIG. 1.

FIG. 6 is a right elevational view of the musical toy of FIG. 1.

FIG. 7 is a top plan view of the musical toy of FIG. 1; and, FIG. 8 is a bottom plan view of the musical toy of FIG. 1.

The broken lines in in the drawings depict portions of the musical toy that form no part of the claimed design.

**1 Claim, 5 Drawing Sheets**



(56)

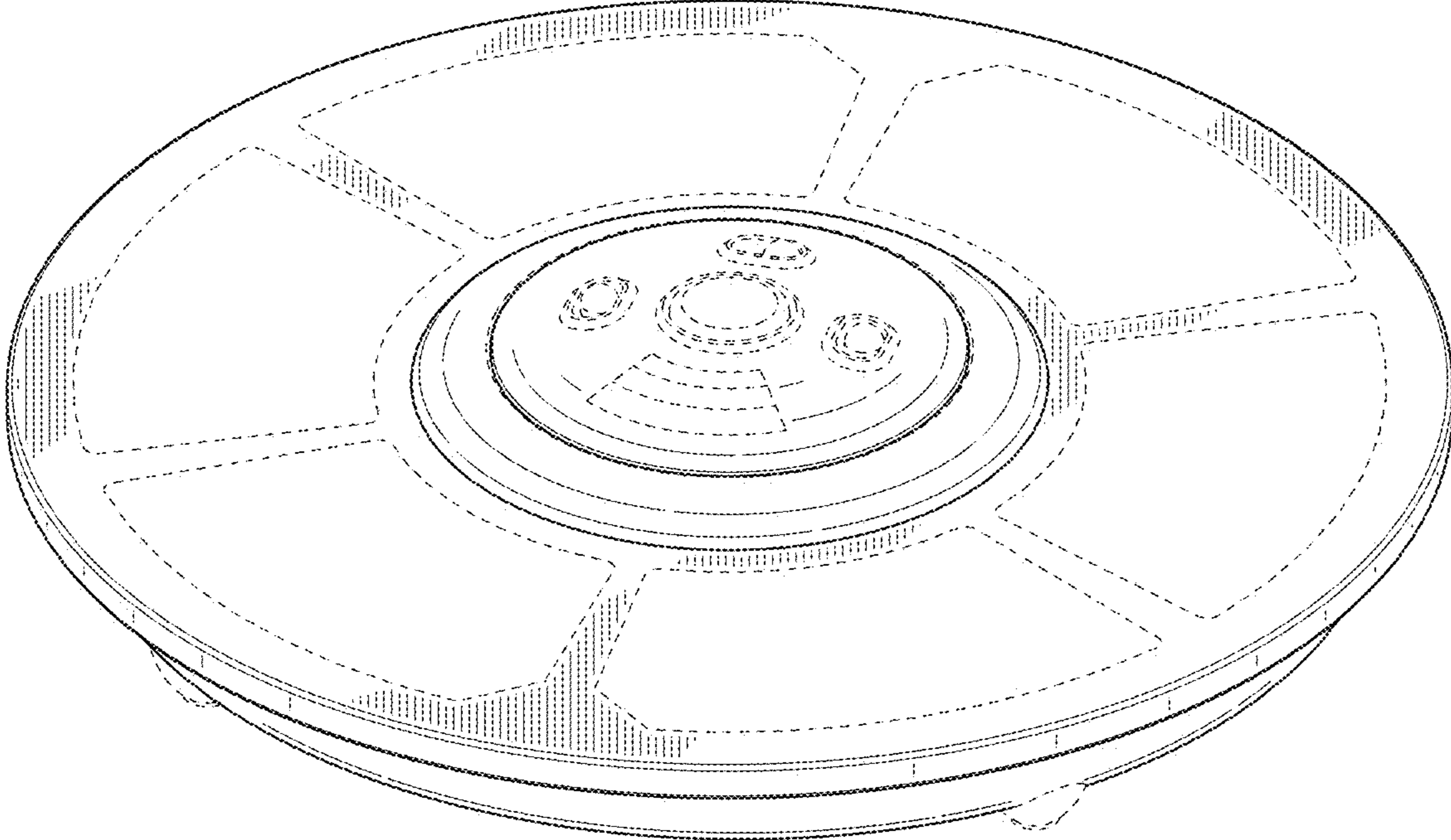
References Cited

U.S. PATENT DOCUMENTS

D568,378 S \* 5/2008 Nakao ..... D17/22  
 D626,963 S \* 11/2010 Kim ..... D14/420  
 8,003,877 B2 8/2011 Elion  
 8,378,203 B2 2/2013 Wallace et al.  
 D683,516 S \* 6/2013 Elias ..... D1/106  
 8,471,138 B2 6/2013 Wallace et al.  
 8,492,632 B1 \* 7/2013 Doe ..... G10D 13/08  
 84/406  
 D691,673 S \* 10/2013 Vazquez ..... D21/443  
 8,594,557 B2 11/2013 Taylor et al.  
 8,614,389 B2 12/2013 Wallace et al.  
 D704,276 S \* 5/2014 Carmack ..... D21/405  
 8,729,379 B2 5/2014 Wallace et al.  
 8,878,042 B2 11/2014 Van Wagoner et al.  
 9,093,059 B2 7/2015 Dejima et al.  
 D737,367 S \* 8/2015 Rohner ..... D17/22  
 D737,368 S \* 8/2015 Rohner ..... D17/22  
 D737,381 S \* 8/2015 Putnam ..... D21/405  
 9,324,310 B2 4/2016 McPherson et al.  
 D765,188 S \* 8/2016 LaRussa ..... D21/444  
 D778,370 S \* 2/2017 Moore ..... D21/443  
 9,583,087 B2 2/2017 Iwase

D790,510 S \* 6/2017 Xiao ..... D14/216  
 D790,634 S \* 6/2017 Fisch ..... D21/405  
 9,773,487 B2 9/2017 Alt et al.  
 9,805,705 B2 10/2017 McPherson et al.  
 9,836,151 B2 12/2017 McMillen et al.  
 D810,188 S \* 2/2018 Beery ..... D17/22  
 D811,361 S \* 2/2018 Peng ..... D14/149  
 D823,146 S \* 7/2018 Minchilli ..... D10/49  
 D847,021 S \* 4/2019 Kim ..... D12/16.1  
 D859,350 S \* 9/2019 Pedersen ..... D14/149  
 D859,363 S \* 9/2019 Chalabi ..... D14/216  
 D859,536 S \* 9/2019 Cope ..... D21/443  
 D879,737 S \* 3/2020 Suzuki ..... D14/149  
 D883,329 S \* 5/2020 Shi ..... D14/496  
 D885,478 S \* 5/2020 Chen ..... D17/22  
 D886,759 S \* 6/2020 Bailey ..... D14/149  
 D888,351 S \* 6/2020 Wolfe, Jr. .... D30/160  
 D888,688 S \* 6/2020 Xie ..... D14/216  
 D890,455 S \* 7/2020 Wolfe, Jr. .... D30/160  
 D902,505 S \* 11/2020 Yeung ..... D30/160  
 D907,693 S \* 1/2021 Butera ..... D17/99  
 D907,695 S \* 1/2021 Butera ..... D17/99  
 D914,799 S \* 3/2021 Yang ..... D17/22  
 2011/0239848 A1 10/2011 Beck  
 2019/0212843 A1 7/2019 Reese et al.

\* cited by examiner



*FIG. 1*



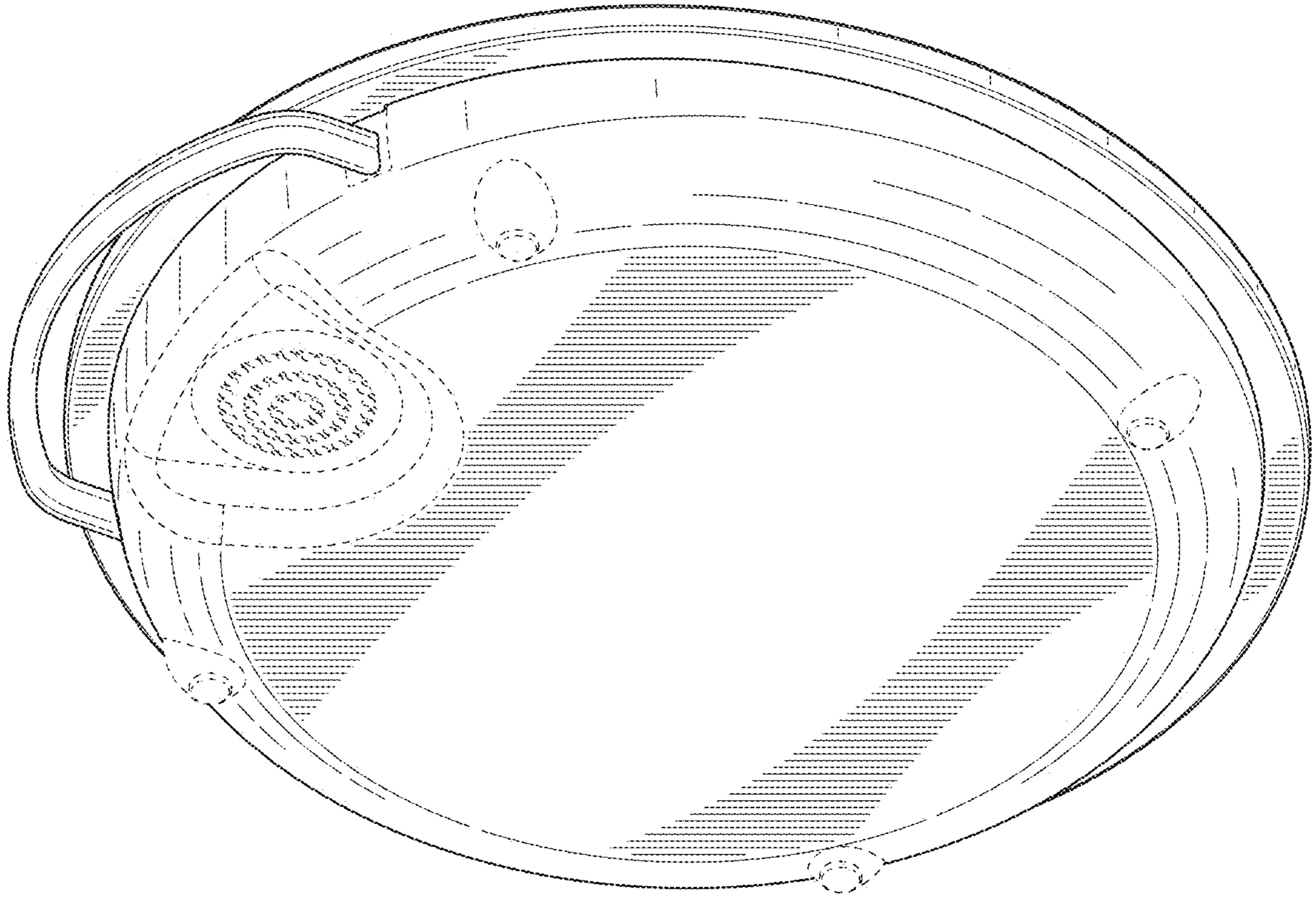


FIG. 2

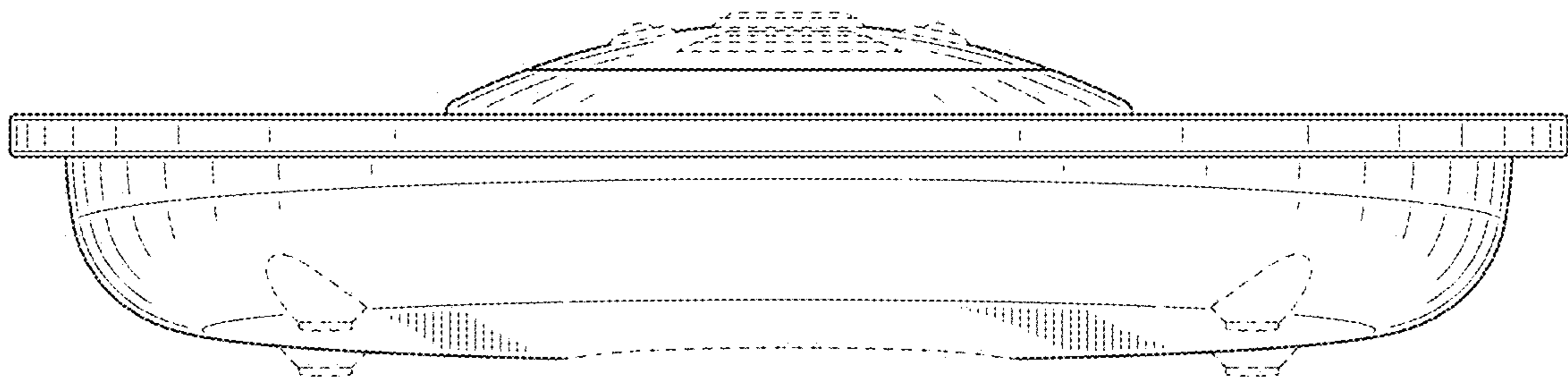
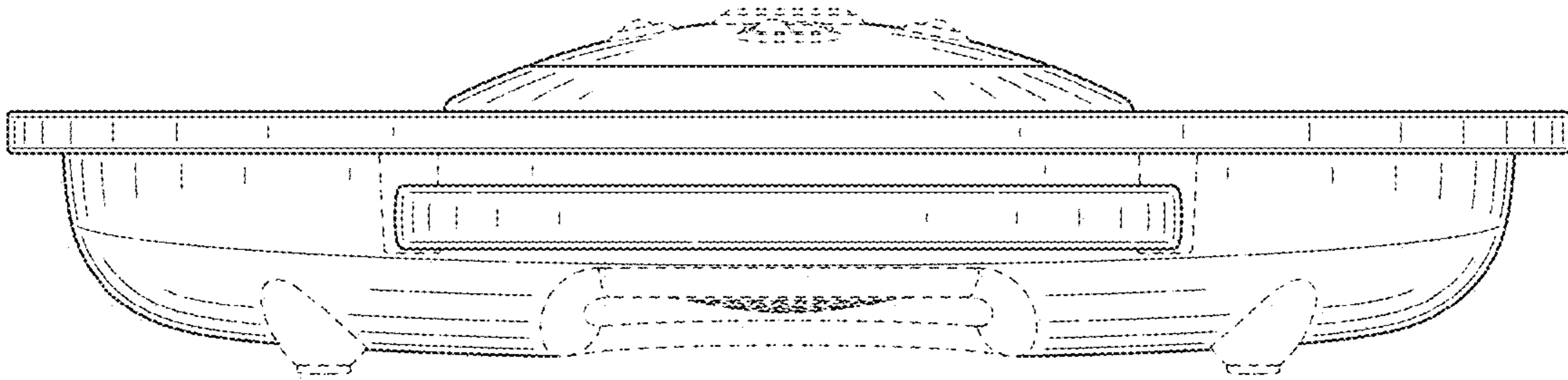
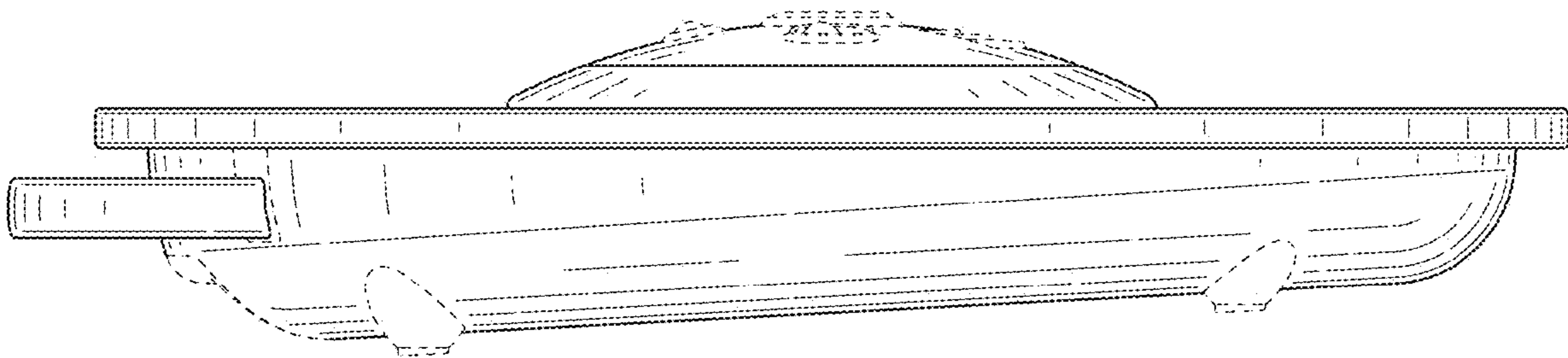


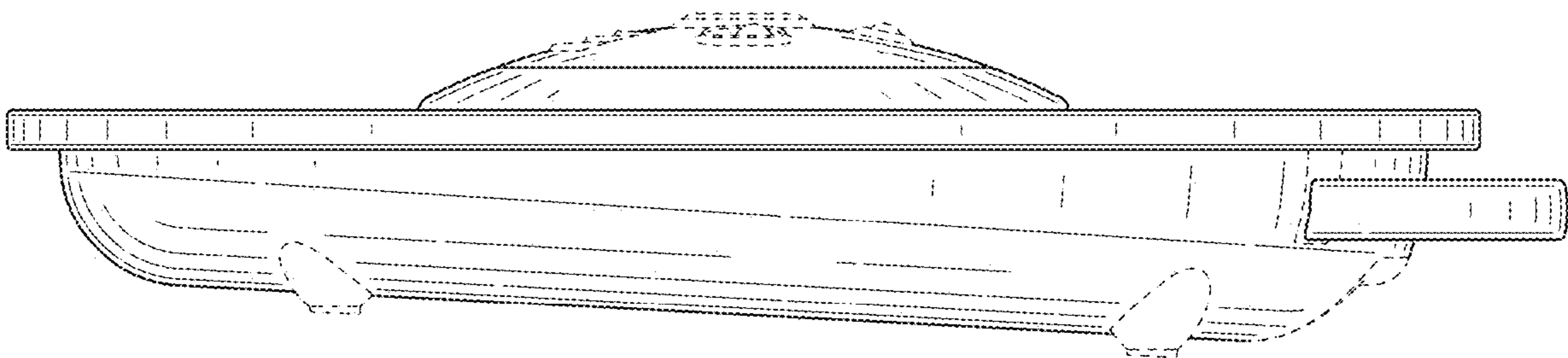
FIG. 3



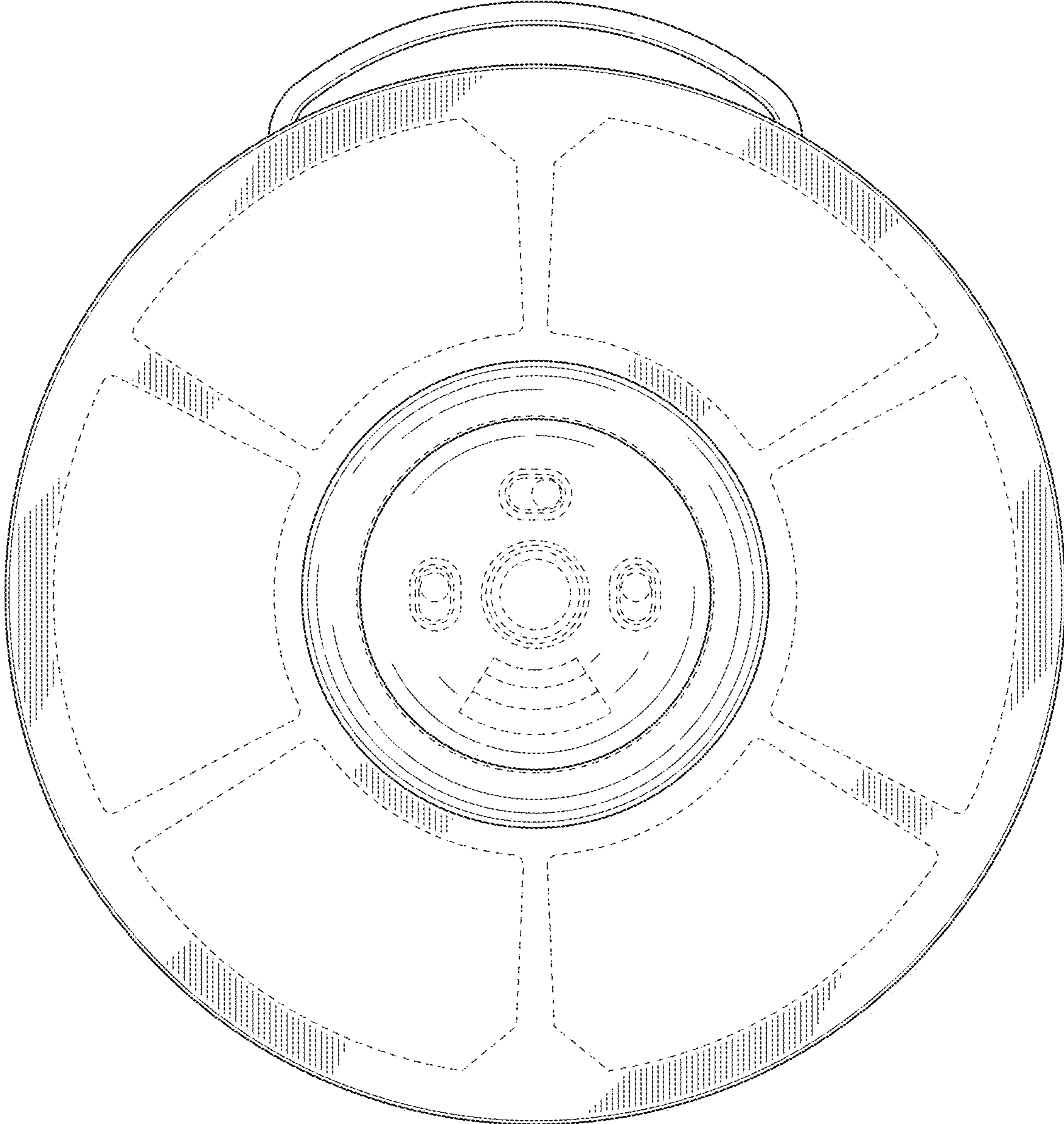
*FIG. 4*



*FIG. 5*

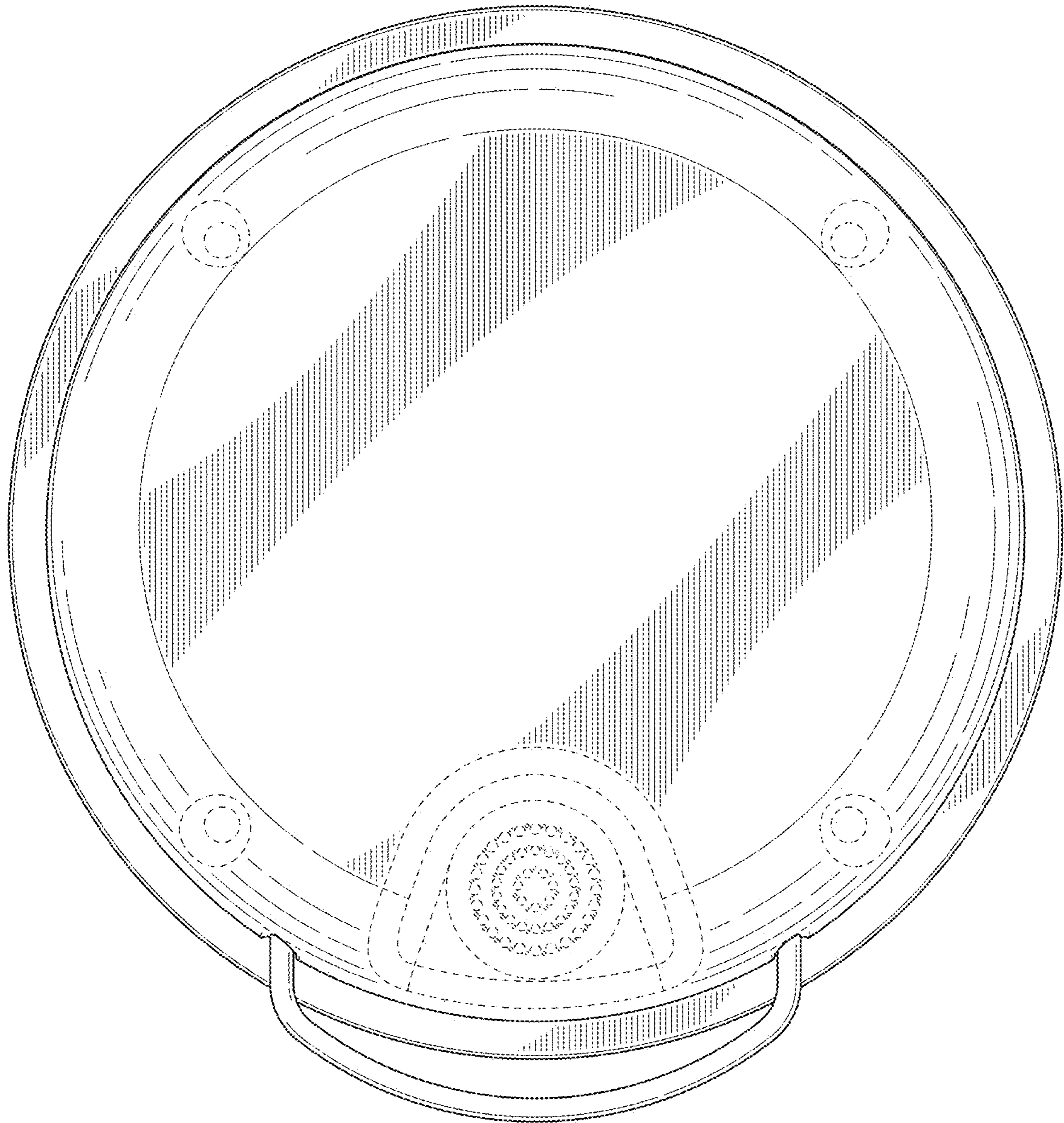


*FIG. 6*



*FIG. 7*





*FIG. 8*