



US00D952754S

(12) **United States Design Patent**
Kulujian et al.

(10) **Patent No.:** **US D952,754 S**
(45) **Date of Patent:** **** May 24, 2022**

(54) **GAMING MACHINE**

FOREIGN PATENT DOCUMENTS

(71) Applicant: **BALLY GAMING, INC.**, Las Vegas, NV (US)

EP 649 671 A1 4/1995
JP 03210172 B2 9/2001

(Continued)

(72) Inventors: **Christian Kulujian**, Chicago, IL (US);
Paul Lesley, Chicago, IL (US)

OTHER PUBLICATIONS

(73) Assignee: **SG Gaming, Inc.**, Las Vegas, NV (US)

Design classics, announced 2015 [online], [site visited Apr. 30, 2021]. Available on internet, URL: https://www.amazon.com/White-Barrel-Shade-Spider-Assembly/dp/B00EUYW1B8/ref=pd_pspc_hl_dps_d_0?pd_rd_w=kykrh&pf_rd_p=55633d9e-cfc2-45d1-8db2-2b632efdf081&pf_rd_r=MBB9NQM149ZD2J4A5TAY&pd_rd_r=44fbb1ca-f389-47e2-87b1-fab28c95a6fd&pd_rd_wg=11XbS&pd_rd_i=B00EUYW1B8 (Year: 2015).*

(**) Term: **15 Years**

(Continued)

(21) Appl. No.: **29/709,132**

(22) Filed: **Oct. 11, 2019**

(51) **LOC (13) Cl.** **21-03**

(52) **U.S. Cl.**

USPC **D21/369**

(58) **Field of Classification Search**

USPC D21/369, 308, 324, 325, 329, 330, 331, D21/332, 333, 334, 366, 367, 392, 395, D21/397, 300, 371, 374, 376, 380, 385, D21/363, 365; D14/496, 125, 126, 127, D14/128, 129, 133, 217, 239, 307, 172, D14/325, 401, 371, 439, 432, 450, 375, D14/248, 374, 341, 138 G, 357; D6/621, D6/592, 695.5, 692, 693.1, 693.2, 693.3, D6/692.2, 691, 3, 691.2, 691.1, 688.2, D6/688.22, 688.23, 650, 650.1, 691.3; D8/66, 334, 331; D7/396, 553.3, 553.6, D7/509, 554.2, 608, 612, 706, 708, 619.1, D7/641; D9/763, 764, 767, 768, 772, D9/781, 573, 574, 564, 551, 535; D26/6, D26/22, 123, 124, 131, 137, 118, 119, D26/120, 121, 122, 141

(Continued)

Primary Examiner — Khawaja Anwar

Assistant Examiner — Julice Seung Eun Oum

(74) *Attorney, Agent, or Firm* — Banner & Witcoff, Ltd.

(57) **CLAIM**

The ornamental design for a gaming machine, as shown and described.

DESCRIPTION

FIG. 1 is a front perspective view of a gaming machine showing our new design;
FIG. 2 is a front view thereof;
FIG. 3 is a rear view thereof;
FIG. 4 is a left side view thereof;
FIG. 5 is a right side view thereof; and,
FIG. 6 is a top view thereof.

The broken lines depicting the remainder of the gaming machine illustrates environmental structure and form no part of the claimed design. The curved oblique line shading represents that the surface is curved and that it is transparent, translucent, highly polished or reflective.

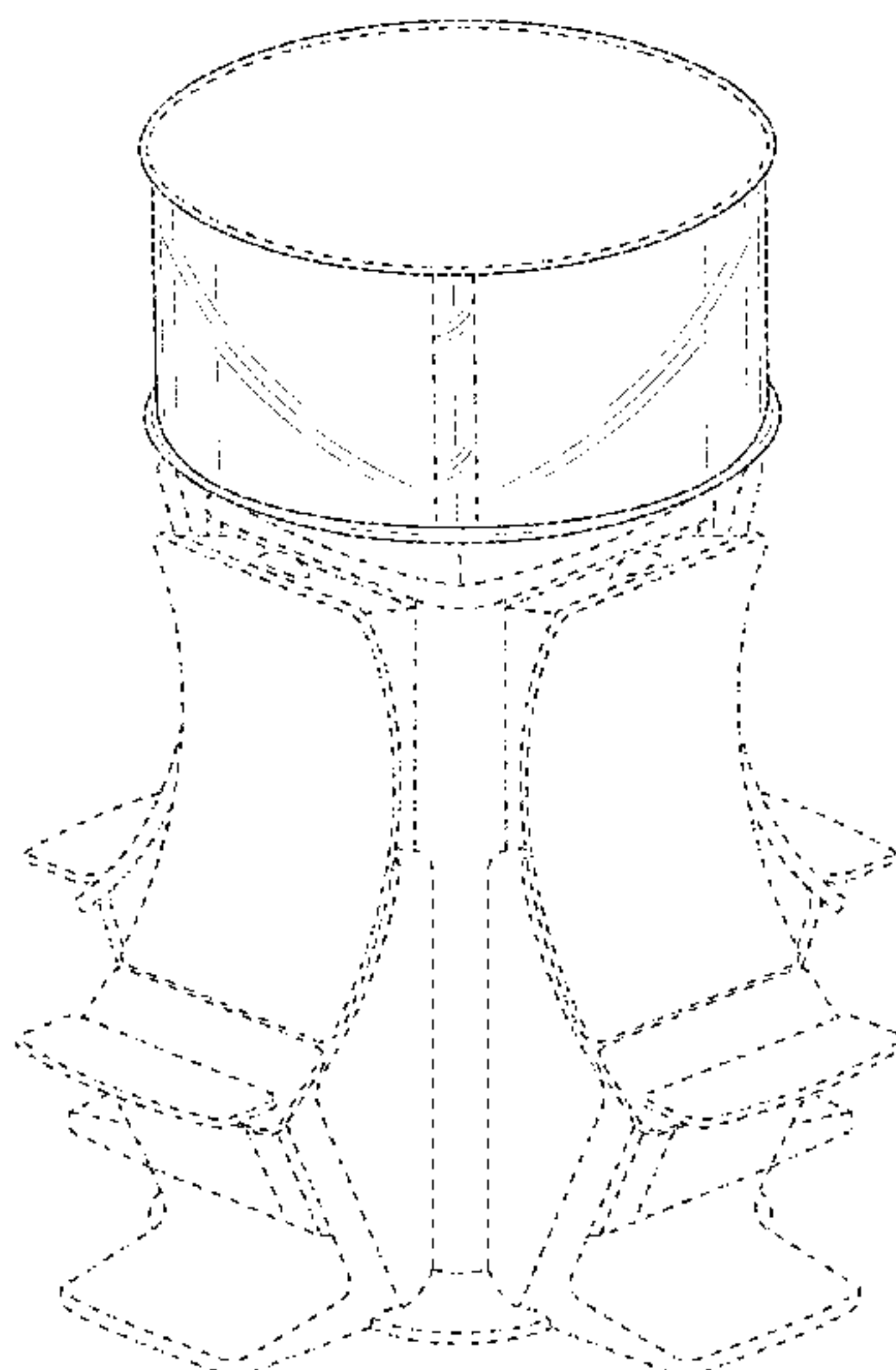
(56) **References Cited**

U.S. PATENT DOCUMENTS

2,661,954 A 12/1953 Koci
D214,678 S 7/1969 Weeber

(Continued)

1 Claim, 6 Drawing Sheets



(58) **Field of Classification Search**
 CPC G07F 17/321; A44C 25/00; C04B 35/56;
 G06F 1/1601
 See application file for complete search history.

(56) **References Cited**

U.S. PATENT DOCUMENTS

D236,720 S 9/1975 Baker
 D238,379 S 1/1976 Miller
 4,046,419 A 9/1977 Schmitt
 D264,485 S 5/1982 Kitchen
 4,372,557 A 2/1983 Del Principe et al.
 4,373,725 A 2/1983 Ritchie
 D275,772 S 10/1984 Akopian et al.
 D280,835 S 10/1985 Berge et al.
 D280,836 S 10/1985 Ludzia et al.
 4,606,545 A 8/1986 Ritchie
 4,705,274 A 11/1987 Lubeck
 4,840,343 A 6/1989 Gasser
 4,861,037 A 8/1989 Oursler
 4,960,117 A 10/1990 Moncrief et al.
 4,981,298 A 1/1991 Lawlor et al.
 D315,110 S 3/1991 Slater
 5,015,189 A 5/1991 Wenzinger
 D318,660 S 7/1991 Weber
 5,074,558 A 12/1991 Bleich et al.
 5,083,738 A 1/1992 Infanti
 5,091,677 A 2/1992 Bleich et al.
 5,102,192 A 4/1992 Barile, Sr.
 5,110,120 A 5/1992 Smolucha
 5,114,112 A 5/1992 Infanti
 5,120,058 A 6/1992 Trudeau et al.
 5,123,647 A 6/1992 Lawlor et al.
 5,143,055 A 9/1992 Eakin
 5,149,094 A 9/1992 Tastad
 D330,654 S 11/1992 Bareiss
 D333,164 S 2/1993 Kraft et al.
 D333,758 S * 3/1993 Lillelund D7/602
 5,193,807 A 3/1993 Schilling et al.
 5,195,746 A 3/1993 Boyd et al.
 D335,150 S 4/1993 Biagi et al.
 5,226,653 A 7/1993 Bil et al.
 5,232,191 A 8/1993 Infanti
 D339,487 S 9/1993 Rizzi
 5,290,034 A 3/1994 Hineman
 5,297,793 A 3/1994 DeMar et al.
 5,316,303 A 5/1994 Trudeau et al.
 5,322,283 A 6/1994 Ritchie et al.
 5,326,104 A 7/1994 Pease et al.
 5,350,174 A 9/1994 Ritchie et al.
 D351,869 S 10/1994 Rothschild et al.
 5,351,954 A 10/1994 Oursler et al.
 5,357,104 A 10/1994 Bleich
 5,358,241 A 10/1994 Anghelo et al.
 5,358,242 A 10/1994 Trudeau et al.
 5,358,243 A 10/1994 Eddy et al.
 D352,738 S 11/1994 Anghelo et al.
 5,383,663 A 1/1995 Anghelo et al.
 5,405,144 A 4/1995 Ritchie et al.
 5,409,296 A 4/1995 Barile
 5,411,257 A 5/1995 Fulton
 5,415,402 A 5/1995 Morrison et al.
 5,415,403 A 5/1995 Ritchie et al.
 5,417,423 A 5/1995 Oursler et al.
 5,417,425 A 5/1995 Blumberg et al.
 5,437,453 A 8/1995 Hineman
 5,465,963 A 11/1995 Patla, Sr.
 5,472,197 A 12/1995 Gwiasda et al.
 5,494,286 A 2/1996 DeMar et al.
 5,507,488 A 4/1996 Eddy et al.
 5,511,783 A 4/1996 Popadiuk et al.
 5,516,103 A 5/1996 Lawlor et al.
 5,522,641 A 6/1996 Infanti
 5,524,887 A 6/1996 Trudeau et al.
 5,533,726 A 7/1996 Nordman et al.
 5,542,748 A 8/1996 Barile

D376,391 S 12/1996 Okumura
 5,580,052 A 12/1996 Popadiuk et al.
 5,632,482 A 5/1997 Anghelo
 D380,014 S 6/1997 Yang
 5,655,965 A 8/1997 Takemoto et al.
 5,664,777 A 9/1997 Nordman et al.
 5,669,818 A 9/1997 Thorner et al.
 5,678,886 A 10/1997 Infanti
 5,697,612 A 12/1997 Piotrowski et al.
 5,704,835 A 1/1998 Dietz, II
 5,707,059 A 1/1998 Sullivan et al.
 5,720,480 A 2/1998 Lawlor et al.
 D395,463 S 6/1998 Scott et al.
 5,762,617 A 6/1998 Infanti
 5,791,731 A 8/1998 Infanti
 5,806,851 A 9/1998 Gomez et al.
 5,820,460 A 10/1998 Fulton
 5,833,236 A 11/1998 Oursler et al.
 5,857,910 A 1/1999 Watanabe et al.
 D405,473 S 2/1999 Tikhonski et al.
 D406,480 S * 3/1999 Lin D6/692.3
 D407,759 S 4/1999 Isetani et al.
 D408,366 S 4/1999 Popadiuk
 5,890,715 A 4/1999 Gomez et al.
 5,899,454 A 5/1999 Eddy et al.
 5,924,690 A 7/1999 Kopera et al.
 5,934,672 A 8/1999 Sines et al.
 5,938,195 A 8/1999 Anghelo et al.
 5,944,309 A 8/1999 Popadiuk et al.
 D415,211 S 10/1999 Yamaguchi
 D417,145 S 11/1999 McLaughlin
 5,984,782 A 11/1999 Inoue
 6,000,697 A 12/1999 Popadiuk et al.
 D419,201 S 1/2000 de Haas
 D419,606 S 1/2000 Toriyama
 6,036,188 A 3/2000 Gomez et al.
 6,047,962 A 4/2000 Popadiuk
 6,047,963 A 4/2000 Pierce et al.
 D424,122 S 5/2000 Dickenson et al.
 6,071,190 A 6/2000 Weiss et al.
 D428,062 S 7/2000 Hayashi
 6,089,663 A 7/2000 Hill
 6,102,394 A 8/2000 Wurz et al.
 6,113,097 A 9/2000 Krutsch et al.
 6,117,010 A 9/2000 Canterbury et al.
 6,120,021 A 9/2000 Piotrowski et al.
 6,129,353 A 10/2000 DeMar et al.
 6,129,355 A 10/2000 Hahn et al.
 6,135,449 A 10/2000 Cornell et al.
 6,135,562 A 10/2000 Infanti
 6,149,153 A 11/2000 Sheats, Jr.
 6,155,565 A 12/2000 Gomez et al.
 6,155,925 A 12/2000 Giobbi et al.
 6,158,737 A 12/2000 Cornell et al.
 6,159,098 A 12/2000 Slomiany et al.
 6,164,644 A 12/2000 Cornell et al.
 6,173,955 B1 1/2001 Perrie et al.
 D439,282 S 3/2001 Yamaguchi
 6,199,861 B1 3/2001 Hume et al.
 D439,931 S 4/2001 Yamaguchi
 6,210,279 B1 4/2001 Dickinson
 D441,609 S 5/2001 Hsu
 6,224,482 B1 5/2001 Bennett
 6,227,614 B1 5/2001 Rubin
 6,227,970 B1 5/2001 Shimizu et al.
 D443,313 S 6/2001 Brettschneider
 D446,252 S 8/2001 Yamaguchi
 6,283,546 B1 9/2001 Hill
 6,290,229 B1 9/2001 Perez
 D450,094 S 11/2001 Hedrick et al.
 6,334,612 B1 1/2002 Wurz et al.
 6,354,660 B1 3/2002 Friedrich
 D459,402 S 6/2002 Wurz et al.
 6,422,670 B1 7/2002 Hedrick et al.
 6,422,941 B1 7/2002 Thorner et al.
 6,439,993 B1 8/2002 O'Halloran
 D463,504 S 9/2002 Stephan
 D464,377 S 10/2002 Wurz et al.
 D465,813 S 11/2002 Randall

(56)

References Cited

U.S. PATENT DOCUMENTS

| | | | | | |
|--------------|---------|-----------------------|--------------|---------|--------------------------|
| D466,160 S | 11/2002 | Hirato et al. | D569,863 S | 5/2008 | Feldstein et al. |
| D466,814 S | 12/2002 | Hurlburt | H2217 H | 6/2008 | Smay et al. |
| D467,977 S | 12/2002 | Gatto et al. | D572,314 S | 7/2008 | Vallejo et al. |
| D468,364 S | 1/2003 | Beadell et al. | D572,770 S | 7/2008 | Seelig et al. |
| 6,530,842 B1 | 3/2003 | Wells et al. | D578,168 S | 10/2008 | Looks et al. |
| 6,530,872 B2 | 3/2003 | Frehland et al. | D578,927 S | 10/2008 | Brandstatter |
| D473,079 S | 4/2003 | Barry | D581,983 S | 12/2008 | Bergstrom |
| 6,572,187 B2 | 6/2003 | Laufer | 7,465,226 B2 | 12/2008 | Ikeya et al. |
| 6,589,114 B2 | 7/2003 | Rose | RE40,625 E | 1/2009 | Wurz et al. |
| 6,609,972 B2 | 8/2003 | Seelig et al. | 7,479,066 B2 | 1/2009 | Emori |
| 6,616,142 B2 | 9/2003 | Adams | D585,707 S | 2/2009 | Weinstein |
| 6,620,047 B1 | 9/2003 | Alcorn et al. | D587,272 S | 2/2009 | Morrow et al. |
| D481,078 S | 10/2003 | Stephan | D587,319 S | 2/2009 | Moises Deiab |
| 6,646,695 B1 | 11/2003 | Gauselmann | RE40,671 E | 3/2009 | Wurz et al. |
| 6,652,378 B2 | 11/2003 | Cannon et al. | D587,973 S | 3/2009 | Romano |
| D483,075 S | 12/2003 | Kang | D589,368 S * | 3/2009 | Abolfazlian D9/772 |
| D484,548 S | 12/2003 | Munoz et al. | 7,503,849 B2 | 3/2009 | Hornik et al. |
| D485,583 S | 1/2004 | Porto | D590,025 S | 4/2009 | Fiore |
| 6,715,756 B2 | 4/2004 | Inoue | D591,800 S | 5/2009 | Hsu |
| 6,729,618 B1 | 5/2004 | Koenig et al. | D592,429 S | 5/2009 | Lovegrove |
| D492,363 S | 6/2004 | Seelig et al. | D592,708 S | 5/2009 | Hsu |
| D492,364 S | 6/2004 | Seelig et al. | D594,068 S | 6/2009 | Hsu |
| D492,365 S | 6/2004 | Munoz et al. | D596,678 S | 7/2009 | Myers |
| D492,676 S | 7/2004 | Monson et al. | D597,144 S | 7/2009 | Myers |
| D493,050 S * | 7/2004 | Domack D6/692.2 | D599,365 S | 9/2009 | Brown et al. |
| D493,843 S | 8/2004 | Jackson, Sr. et al. | D599,609 S * | 9/2009 | Ruffoni D7/354 |
| D493,846 S | 8/2004 | Seelig et al. | D599,858 S | 9/2009 | Lesley et al. |
| D495,754 S | 9/2004 | Wurz et al. | D599,859 S | 9/2009 | Lesley |
| D495,755 S | 9/2004 | Wurz et al. | D599,860 S | 9/2009 | Lesley et al. |
| D498,267 S | 11/2004 | Crouch | D601,638 S | 10/2009 | Palmisano |
| D498,979 S | 11/2004 | Bhavnani | D604,368 S | 11/2009 | Lesley et al. |
| D500,098 S | 12/2004 | Doi | 7,628,693 B2 | 12/2009 | Thomas |
| 6,880,825 B2 | 4/2005 | Seelig et al. | 7,666,085 B2 | 2/2010 | Vorias et al. |
| D505,162 S | 5/2005 | Bristol et al. | 7,686,689 B2 | 3/2010 | Thomas |
| D508,268 S | 8/2005 | Hanchar et al. | D613,343 S | 4/2010 | Inoue |
| D508,269 S | 8/2005 | Wichinsky | D613,802 S | 4/2010 | Meyers et al. |
| D508,719 S | 8/2005 | de Haas | D615,598 S | 5/2010 | McComb et al. |
| D508,961 S | 8/2005 | Gatto et al. | 7,713,119 B2 | 5/2010 | Pacey et al. |
| D509,254 S | 9/2005 | Rasmussen et al. | D617,314 S * | 6/2010 | Zha D14/216 |
| D509,255 S | 9/2005 | Bristol et al. | D618,512 S | 6/2010 | Kimmel |
| D512,105 S | 11/2005 | Chitrapongse et al. | D622,780 S | 8/2010 | Lesley et al. |
| D513,511 S | 1/2006 | Decombe | D622,781 S | 8/2010 | Lesley et al. |
| D515,144 S | 2/2006 | Boyd | D622,782 S | 8/2010 | Chudek et al. |
| 6,997,810 B2 | 2/2006 | Cole | 7,766,738 B2 | 8/2010 | Ogiwara |
| D520,504 S | 5/2006 | Martin | D626,182 S | 10/2010 | Cole et al. |
| 7,063,615 B2 | 6/2006 | Alcorn et al. | D626,183 S | 10/2010 | Cole et al. |
| 7,108,237 B2 | 9/2006 | Gauselmann | 7,811,167 B2 | 10/2010 | Giobbi et al. |
| D531,677 S | 11/2006 | Mallory et al. | D631,060 S | 1/2011 | Flik et al. |
| D534,386 S | 1/2007 | Warriner | D631,100 S | 1/2011 | Palmisano |
| 7,184,277 B2 | 2/2007 | Beime | D633,950 S | 3/2011 | Terpstra et al. |
| D537,885 S | 3/2007 | Gadda et al. | D637,238 S | 5/2011 | O'Keene et al. |
| D539,854 S | 4/2007 | Luciano et al. | D637,652 S | 5/2011 | Tahara et al. |
| D540,398 S | 4/2007 | Gadda et al. | 7,938,728 B2 | 5/2011 | Vetter et al. |
| D543,790 S | 6/2007 | Szymanski | 7,955,176 B2 | 6/2011 | Tastad et al. |
| D546,590 S * | 7/2007 | Frinier D6/689 | D641,047 S | 7/2011 | Tahara et al. |
| D546,893 S | 7/2007 | Yamashita | 7,976,393 B2 | 7/2011 | Haga et al. |
| 7,247,098 B1 | 7/2007 | Bradford et al. | 7,985,139 B2 | 7/2011 | Lind et al. |
| D548,801 S | 8/2007 | Groswirt | 8,002,424 B2 | 8/2011 | Hwang et al. |
| D548,802 S | 8/2007 | Damjan et al. | 8,002,626 B2 | 8/2011 | Englman |
| D549,785 S | 8/2007 | Luciano, Jr. et al. | D644,940 S * | 9/2011 | Hermans D9/772 |
| 7,267,612 B2 | 9/2007 | Alcorn et al. | D646,336 S | 10/2011 | Kelly et al. |
| D554,710 S | 11/2007 | Malone et al. | D646,337 S | 10/2011 | Kelly et al. |
| D556,765 S | 12/2007 | Evans et al. | D646,691 S | 10/2011 | Thai et al. |
| D557,748 S | 12/2007 | Jumper | D649,605 S | 11/2011 | Terpstra et al. |
| D558,276 S | 12/2007 | Damjan et al. | D651,608 S | 1/2012 | Allen et al. |
| D559,328 S | 1/2008 | Rasmussen et al. | D651,923 S * | 1/2012 | Cronin D9/772 |
| D559,917 S | 1/2008 | Cole | D653,127 S * | 1/2012 | Cronin D9/780 |
| D560,724 S | 1/2008 | Johnson | 8,152,623 B2 | 4/2012 | Fiden |
| D560,725 S | 1/2008 | Johnson | 8,162,740 B2 | 4/2012 | Aoki |
| D563,326 S | 3/2008 | Patel et al. | 8,216,061 B2 | 7/2012 | Pacey |
| D563,481 S | 3/2008 | Looks et al. | 8,235,784 B2 | 8/2012 | Christensen |
| D564,600 S | 3/2008 | Greenberg et al. | 8,267,764 B1 | 9/2012 | Aoki et al. |
| D564,601 S | 3/2008 | Strahinic et al. | D669,076 S | 10/2012 | Haller |
| D565,876 S | 4/2008 | Potente | 8,292,451 B2 | 10/2012 | Hwang et al. |
| D566,197 S | 4/2008 | Greenberg et al. | D671,528 S * | 11/2012 | Fathollahi D14/216 |
| | | | 8,303,420 B2 | 11/2012 | Chudek et al. |
| | | | 8,305,743 B2 | 11/2012 | Wu et al. |
| | | | 8,323,114 B2 | 12/2012 | Burak et al. |
| | | | D673,620 S | 1/2013 | Johnson et al. |

(56)

References Cited

U.S. PATENT DOCUMENTS

D673,621 S 1/2013 Johnson et al.
 8,353,755 B2 1/2013 Vann et al.
 8,371,920 B2 2/2013 Gomez et al.
 8,371,927 B2 2/2013 Englman
 8,371,928 B2 2/2013 Englman et al.
 8,376,832 B2 2/2013 O'Connor et al.
 D678,955 S 3/2013 Lesley et al.
 D678,956 S 3/2013 Lesley et al.
 D678,957 S 3/2013 Cesaroni et al.
 D678,958 S 3/2013 Cesaroni et al.
 D681,130 S 4/2013 Lesley et al.
 8,430,756 B2 4/2013 McComb et al.
 D682,948 S 5/2013 Cesaroni et al.
 D685,033 S 6/2013 Wudtke
 D691,661 S 10/2013 Creech
 D691,665 S 10/2013 Chudek
 D691,666 S 10/2013 Lesley et al.
 D693,343 S 11/2013 Haller
 D697,558 S 1/2014 Myers et al.
 8,628,397 B2 1/2014 Kusuda et al.
 D704,273 S 5/2014 Chudek
 D704,275 S 5/2014 Lesley et al.
 D705,608 S 5/2014 Wolhendler
 D706,741 S 6/2014 Myers
 D712,975 S 9/2014 Lesley et al.
 D714,875 S * 10/2014 Wudtke D21/385
 D715,364 S 10/2014 Wudtke et al.
 8,982,545 B2 3/2015 Kim et al.
 D727,688 S 4/2015 Hewitt et al.
 D729,205 S * 5/2015 Shu D14/216
 D730,993 S 6/2015 Caslo et al.
 D740,888 S 10/2015 DePalma et al.
 D742,257 S 11/2015 Thompson et al.
 D742,974 S 11/2015 Lesley et al.
 D742,975 S 11/2015 Myers et al.
 D744,579 S 12/2015 Cope
 D760,221 S * 6/2016 Maruyama D14/357
 D760,846 S 7/2016 Caslo et al.
 D764,197 S 8/2016 Koshida
 RE46,169 E 10/2016 Kelly et al.
 D780,531 S 3/2017 Seiders et al.
 D780,747 S 3/2017 Sharp et al.
 D780,852 S 3/2017 Sharp et al.
 9,704,337 B2 7/2017 Riggs et al.
 9,728,031 B2 8/2017 Schultz et al.
 D799,956 S 10/2017 Karmi et al.
 D801,753 S 11/2017 Piper et al.
 D802,675 S 11/2017 Steelman et al.
 D805,588 S 12/2017 Sharp et al.
 D810,045 S * 2/2018 Kim D14/204
 D810,830 S 2/2018 Sharp et al.
 D812,429 S 3/2018 McLaughlin
 D824,763 S * 8/2018 Suess D9/454
 D826,338 S 8/2018 Bussey et al.
 D827,598 S * 9/2018 Kwon D14/125
 D832,054 S 10/2018 Klimecki
 D832,357 S 10/2018 Castro et al.
 D832,358 S 10/2018 Castro et al.
 D834,652 S 11/2018 Lee et al.
 D839,677 S 2/2019 Seiders et al.
 D841,380 S 2/2019 Zaccai et al.
 D843,238 S * 3/2019 Rose D10/50
 D843,461 S 3/2019 Castro et al.
 D843,462 S 3/2019 Castro et al.
 D843,463 S 3/2019 Castro et al.
 D845,258 S * 4/2019 D'Ambrosio D14/125
 D847,905 S 5/2019 Lewis et al.
 D849,149 S 5/2019 Bussey et al.
 D849,150 S 5/2019 Gallagher et al.
 D849,559 S 5/2019 Swenson et al.
 D853,789 S 7/2019 Adams, Jr. et al.
 D857,112 S * 8/2019 Cowie D21/487
 D858,641 S 9/2019 Legras et al.
 D858,642 S 9/2019 Legras et al.
 D877,811 S 3/2020 Bernard et al.

D878,477 S 3/2020 Bernard et al.
 D880,605 S * 4/2020 Bussey D21/369
 D882,699 S 4/2020 Bernard et al.
 D882,700 S 4/2020 Wudtke et al.
 D883,393 S 5/2020 Bernard et al.
 D888,505 S 6/2020 Seiders et al.
 D891,520 S * 7/2020 Urban D21/385
 10,703,557 B2 7/2020 Foster, II et al.
 D899,861 S 10/2020 Lefkowitz
 D902,991 S 11/2020 Tivnon
 D905,792 S * 12/2020 Baerlocher D21/369
 D913,375 S * 3/2021 Smart D21/333
 D913,738 S 3/2021 Jewett
 D914,807 S * 3/2021 Olive D21/369
 D927,905 S * 8/2021 Huang D6/692
 2002/0041069 A1 4/2002 Steelman
 2003/0122973 A1 7/2003 Huang
 2004/0018877 A1 1/2004 Tastad et al.
 2004/0029631 A1 2/2004 Duhamel
 2004/0053662 A1 3/2004 Pacey
 2005/0014547 A1 1/2005 Gomez et al.
 2006/0009284 A1 1/2006 Schwartz et al.
 2006/0034042 A1 2/2006 Hisano et al.
 2006/0079316 A1 4/2006 Flemming et al.
 2006/0131810 A1 6/2006 Nicely
 2006/0183553 A1 8/2006 Kiriya et al.
 2006/0199638 A1 9/2006 Walker et al.
 2006/0281559 A1 12/2006 Luciano
 2006/0287111 A1 12/2006 Mitchell et al.
 2008/0039213 A1 2/2008 Cornell et al.
 2008/0051202 A1 2/2008 Lube
 2009/0174996 A1 7/2009 Park
 2010/0053231 A1 3/2010 Park
 2012/0122569 A1 5/2012 Kowolik et al.
 2012/0168058 A1 7/2012 Kim et al.
 2012/0302315 A1 11/2012 Ikeya et al.
 2013/0180653 A1 7/2013 Kim et al.
 2013/0278875 A1 10/2013 Kim et al.
 2014/0055696 A1 2/2014 Lee et al.
 2014/0092356 A1 4/2014 Ahn et al.
 2014/0176856 A1 6/2014 Lee et al.
 2014/0226111 A1 8/2014 Kim
 2014/0226112 A1 8/2014 Kim
 2014/0354938 A1 12/2014 Kim
 2014/0368782 A1 12/2014 Kim et al.
 2014/0375936 A1 12/2014 Park et al.
 2015/0000823 A1 1/2015 Kim et al.
 2015/0036073 A1 2/2015 Im et al.
 2015/0116621 A1 4/2015 Park et al.
 2015/0116625 A1 4/2015 Hwang et al.
 2015/0301390 A1 10/2015 Kim
 2017/0297172 A1 * 10/2017 Zhang B24D 18/0009
 2018/0082523 A1 3/2018 Palermo et al.
 2019/0102974 A1 4/2019 Bussey et al.
 2019/0102984 A1 4/2019 Gallagher et al.

FOREIGN PATENT DOCUMENTS

KR 1113734 B1 2/2012
 KR 2012051630 A 5/2012
 KR 1268471 B1 6/2013
 KR 1278904 B1 6/2013
 KR 1336677 B1 12/2013
 KR 1381609 B1 4/2014
 KR 1381610 B1 4/2014
 KR 2015013987 A 2/2015
 KR 1539221 B1 7/2015
 TW 200949775 A 12/2009

OTHER PUBLICATIONS

Hubert galvanized metal riser, announced 2016 [online], [site visited Apr. 30, 2021]. Available on internet, URL: https://www.amazon.com/Galvanized-Metal-Pedestal-Riser-Dia/dp/B01EK6WN1S/ref=pd_bxgy_img_2/134-2274817-4018203?_encoding=UTF8&pd_rd_i=B01EK6WN1S&pd_rd_r=65380424-15b9-4cf3-8671-dc509a71ab56&pd_rd_w=y9OMd&pd_rd_wg=WAWIy&pf_rd_p=fd3ebcd0-c1a2-

(56)

References Cited

OTHER PUBLICATIONS

44cf-aba2-bbf4810b3732&pf_rd_r=6QKR5H5R31ZW9X6P71GV &psc=1&refRID=6QKR5H5R31ZW9X6P71GV (Year: 2016).*

Product Sheet for “American Eagle,” Eagle Co. Ltd., 1997 (2 pages).

Product Sheet for “Monopoly Chairman of the Board™,” WMS Gaming Inc., 1999 (2 pages).

Product Sheet for “American Eagle,” Eagle Co., Ltd., 2000 (2 pages).

Product Sheet for “Survivor,” WMS Gaming Inc., 2001 (4 pages).

Product Sheet for “ProSLOT® 6000,” Bally Gaming Systems, 2002 (4 pages).

Product Sheet for “EVO™ Hybrid,” Bally Gaming Systems, 2002 (4 pages).

Product Sheet for “3RV™,” WMS Gaming Inc., 2002 or earlier (2 pages).

Product Sheet for “Miss America,” AC Coin & Slot, 2002 or earlier (2 pages).

Product Catalog for Ainsworth Game Technology Ltd, date estimated as early as 2007 (6 pages).

Product Sheet for “Ultrapin™,” Global VR, 2007 (1 pages).

Brochure for “Virtual Pinball,” Tab-Austria, 2007 (8 pages).

Catalog for Atronic®-Spielo®, date estimated as early as 2008 (2 pages).

Product Catalog for “Alpha Elite™,” Bally Technologies, date estimated as early as 2008-2009 (2 pages).

Cabinet Brochure for Hydako Co., date estimated as early as 2009 (1 page).

Product Catalog for Bally Technologies, date estimated as early as 2010 (2 pages).

Fall & Winter Catalog for Aristocrat, date estimated as early as 2010-2011 (7 pages).

Catalog for “Your Partner Innovation,” Bally Technologies, date estimated as early as 2011 (4 pages).

Co-pending Design U.S. Appl. No. 29/559,629, filed Mar. 30, 2016.

Co-pending Design U.S. Appl. No. 29/559,613, filed Mar. 30, 2016.

Co-pending Design U.S. Appl. No. 29/559,593, filed Mar. 30, 2016.

Immersaview; “Why choose a Curved Screen for your Multi-Projector Setup”; Jan. 28, 2016; retrieved from <https://www.immersaview.com/resources/why-curved/> (7 pages).

Denison; “Why can’t you buy a flat OLED yet? The curve isn’t just about viewing experience”; Digital Trends; Aug. 18, 2013; retrieved from <http://www.digitaltrends.com/home-theater-why-did-the-us-get-stuck-with-curved-oled/#!zXypT> (8 pages).

Wilcox; “LG, Samsung, and Sony throw TV buyers a curve”; Consumer Reports; Sep. 10, 2013; retrieved from <http://www.consumerreports.org/cro/news/2013/09/curved-tv-screens/index.htm#> (1 page).

Snider; “Sony tosses latest pitch for curved TV displays”; USA Today; Oct. 15, 2013; retrieved from <http://www.usatoday.com/story/tech/personal/2013/10/15/new-curved-sony-led-hdtv/2982051/> (2 pages).

Morrison; “Curved OLED HDTV screens are a bad idea (for now)”; CNET; Jun. 18, 2013; retrieved from <https://www.cnet.com/news/curved-oled-hdtv-screens-are-a-bad-idea-for-now/> (9 pages).

Cochran; “Why Samsung’s curved-screen TV might be a ‘game changer’”; CBS News; Aug. 14, 2013; retrieved from <http://www.cbsnews.com/news/why-samsungs-curved-screen-tv-might-be-a-game-changer/> (3 pages).

Kelly; “TV trends at CES: 4K, curves and smart TVs”; CNN; Jan. 8, 2014; retrieved from <http://www.cnn.com/2014/01/07/tech/gaming-gadgets/ces-television-trends/> (5 pages).

Manjoo; “TV Makers Are Out of Ideas”; Wall Street Journal; Jan. 8, 2014; retrieved from <https://www.wsj.com/news/articles/SB10001424052702303393804579308801012230792> (4 pages).

Daniel; “Curved Monitors—Overview”; Curved Monitor Test; Aug. 28, 2015; retrieved from <http://www.curved-monitor-test.de/> (5 pages).

Matthias; “Curved TV—Overview”; Curved TV Test; Apr. 20, 2016; retrieved from <https://technikblog.net/fernseher-test/curved-tv/> (16 pages, in German).

Ljt216; “Flat Screen vs Curved CRTs for Retro Games”; Reddit; Jul. 29, 2015; retrieved from <https://www.reddit.com/r/gamecollecting/comments/3f25r0/flat_screen_vs_curved_crts_for_retro_games/> (4 pages).

Photonics industry and Technology Development Association (PIDA); “E-Paper Shows Potential at Creating a Paperless Haven”; OptoLink Magazine, 3 Quarter 2008; pp. 8-11 (4 pages).

AU Optronics Corp.; News Center: “AUO Announces Multiple Upcoming Innovations”; Oct. 27, 2008; retrieved from <http://www.auo.com/?sn=107&lang=en-US&c=10&n=363>; (2 pages).

DigiTimes, Inc.; “FPD China 2009: AUO 8.9-inch convex display panel”; Mar. 12, 2009; retrieved from <http://www.digitimes.com/photogallery/showphoto.asp?ID=3376>; (3 pages).

Gizmodo.com; “AUO Curved Displays, Ultra Thin LCDs On The Way”; May 20, 2008; retrieved from <http://gizmodo.com/392248/auo-curved-displays-ultra-thin-lcds-on-the-way>; (2 pages).

PC World; “AU Optronics Shows Off Curved LCD Screen”; May 20, 2008; retrieved from <http://www.pcworld.com/article/146083/article.amp.html> (3 pages).

DailyTech; “AUO Shows Off Curved Display and Touch Screen”, May 23, 2008; retrieved from <http://www.dailytech.com/AUO+Shows+Off+Curved+Display+and+Touch+Screen+Tech/article11845.htm>; (2 pages).

OLED-Info; “LG Phillips LCD Develops 14.3-Inch Color E-Paper Display”; Jan. 4, 2008; retrieved from <http://www.oled-info.com/lg/lg_phillips_lcd_develops_14_3_inch_color_e_paper_display>; (2 pages).

NewLaunches.com; “LG Phillips LCD develops world’s highest resolution 14.3-inch flexible color E-paper display!” Jan. 3, 2008; retrieved from <http://newlaunches.com/archives/lgphillips_lcd_develops_worlds_highest_resolution_143inch_flexible_color_epaper_display.php> (4 pages).

Series of Screenshots from video: Wood, Molly (Mar. 26, 2015).

Major, Clare, Carr, Vanessa, eds. <https://www.nytimes.com/video/technology/personaltech/10000002788325/curved-screens-worth-it.html>

Co-pending Design U.S. Appl. No. 29/600,744, filed Apr. 14, 2017.

Co-pending Design U.S. Appl. No. 29/600,745, filed Apr. 14, 2017.

Co-pending Design U.S. Appl. No. 29/600,739, filed Apr. 14, 2017.

Co-Pending Design U.S. Appl. No. 29/655,302, filed Jul. 2, 2018.

Co-Pending Design U.S. Appl. No. 29/655,307, filed Jul. 2, 2018.

Golden gate guitar pick, announced 2011, [online], [site visited Apr. 20, 2021]. Available on internet, URL: <https://www.amazon.com/Golden-Gate-Deluxe-Tortoise-Mandolin/dp/B0052S3WUF/ref=sr_1_9 (Year: 2011)>

Azar cylinder, announced 2013 [online], [site visited Apr. 30, 2021]. Available on internet, URL: <https://www.amazon.com/Azar-Displays-556610-10-Inch-Cylinder/dp/B00BVX0R2G/ref=pd_sbs_2 (Year: 2013)>

Galvanized metal riser, announced 2016 [online], [site visited Apr. 30, 2021]. Available on internet, URL: Amazon.com: Galvanized Metal Pedestal Riser—10" Dia x 7"H: Industrial & Scientific (Year 2016).

* cited by examiner

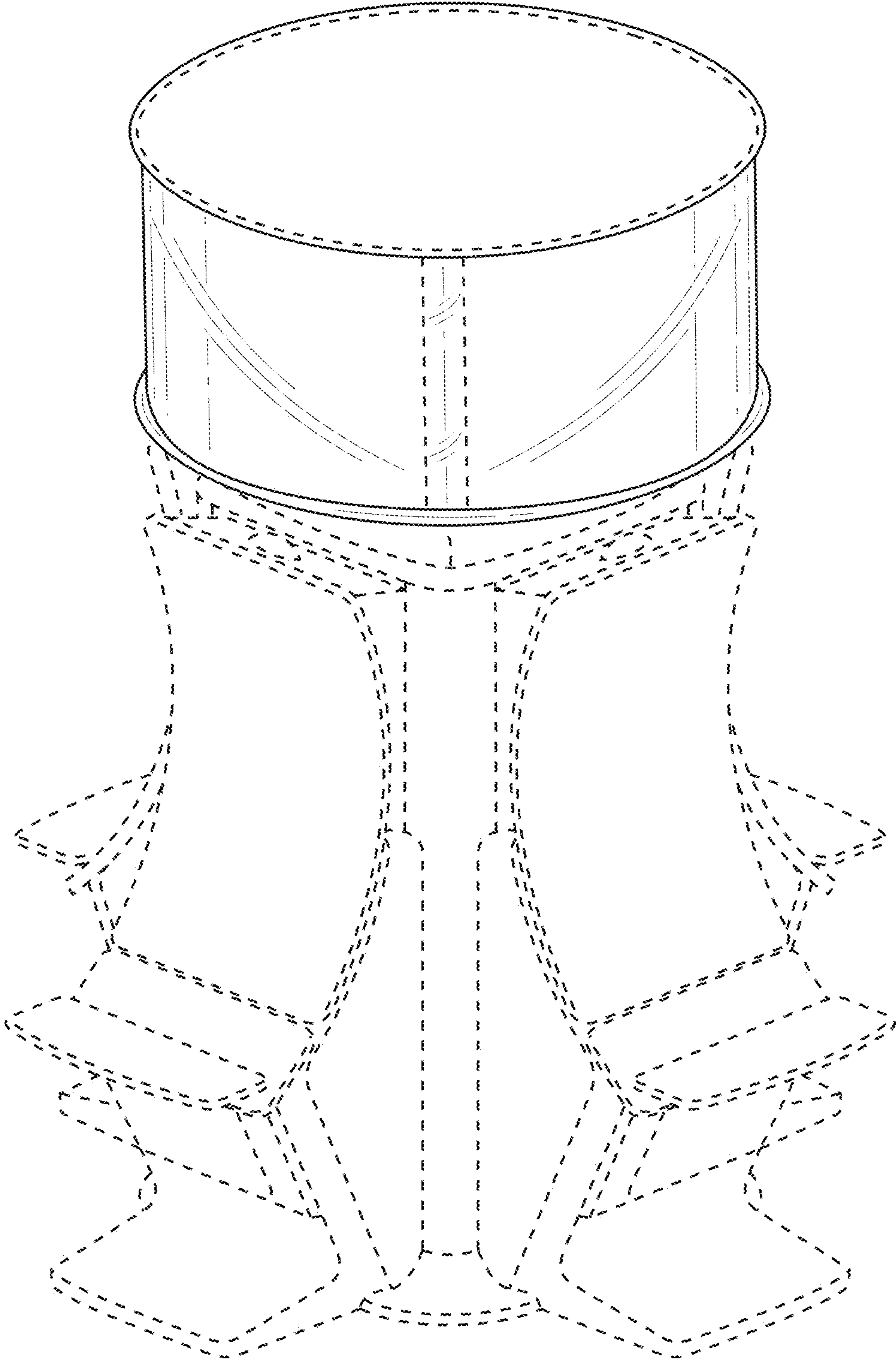


FIG. 1

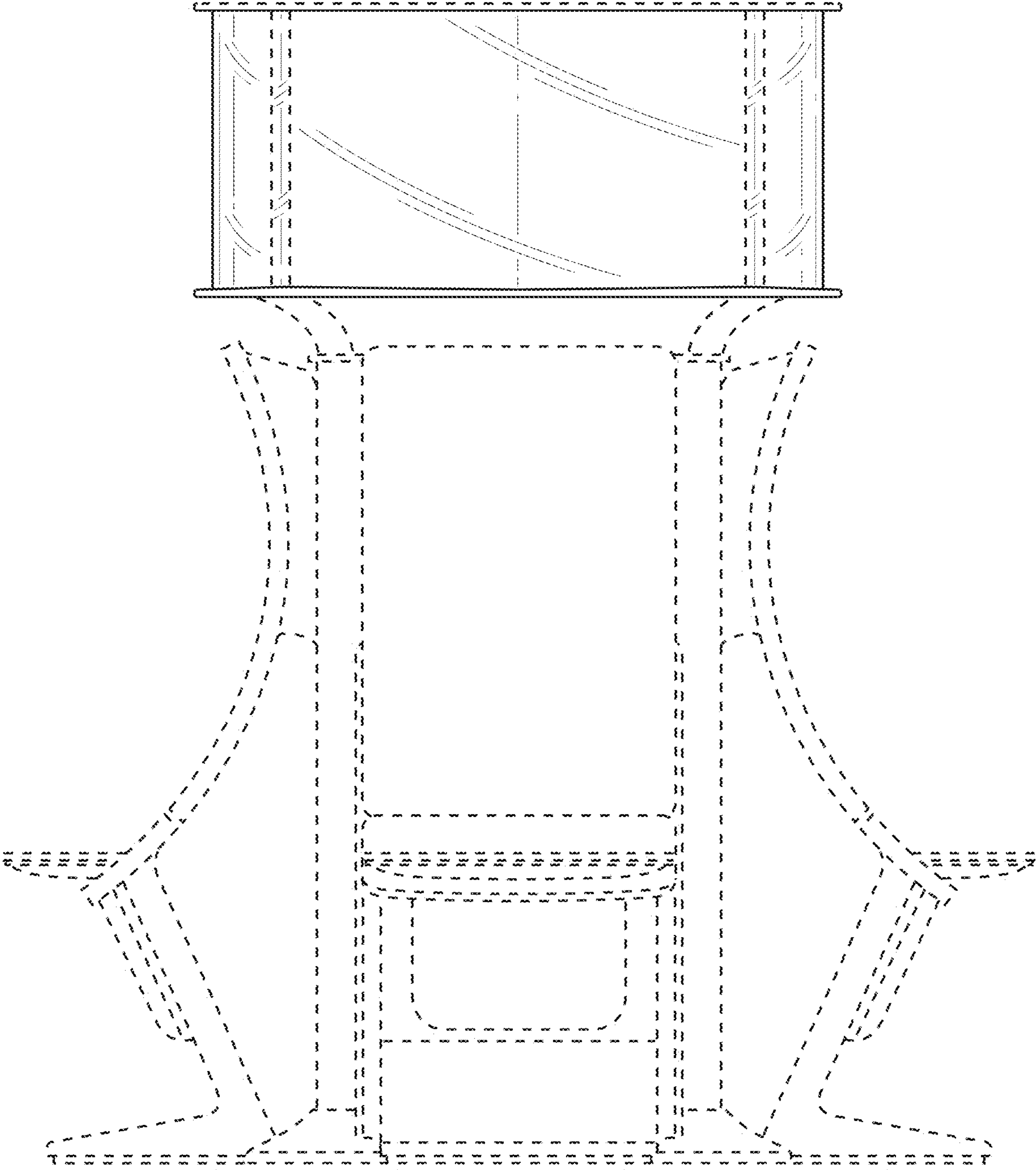


FIG. 2

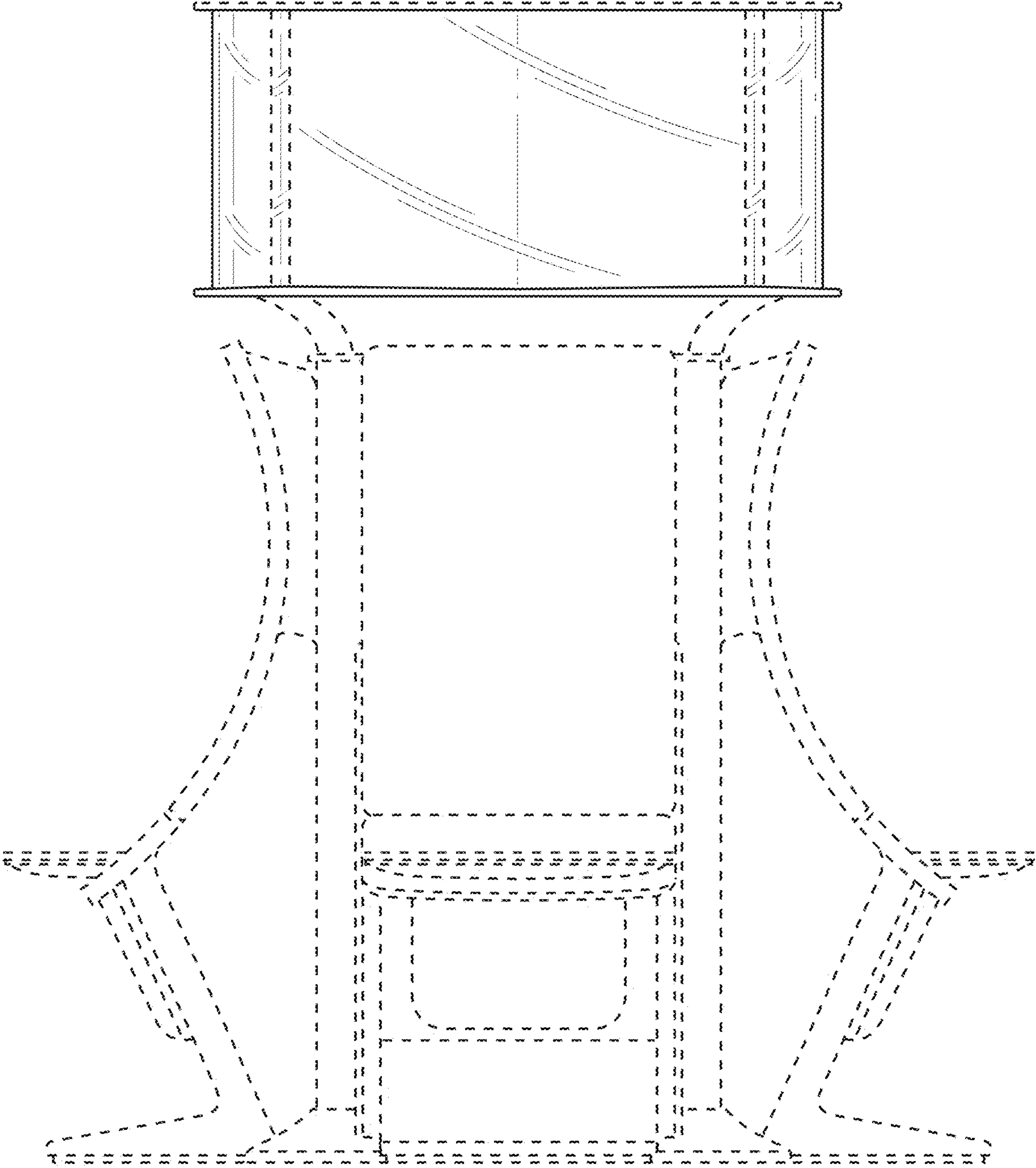


FIG. 3

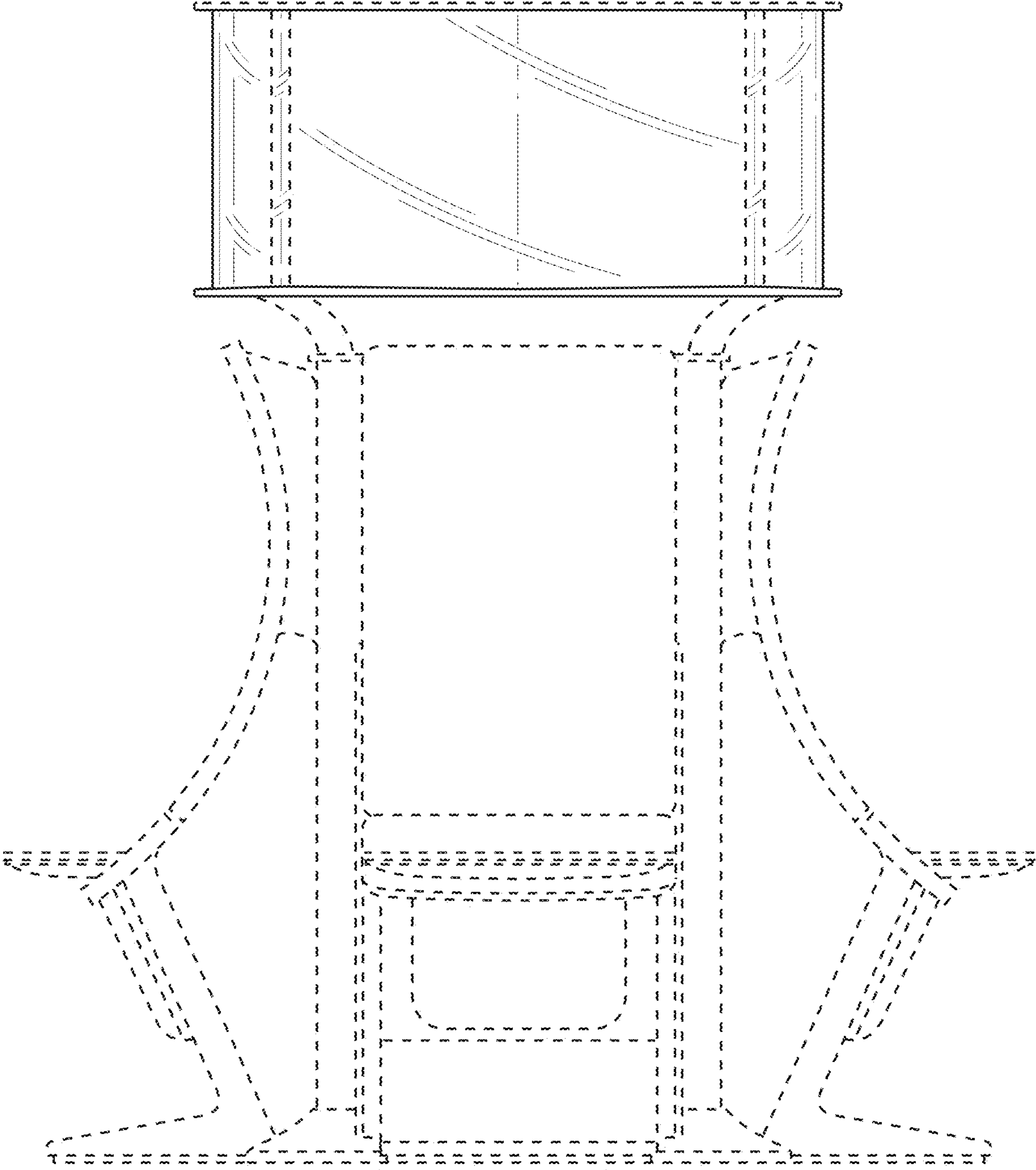


FIG. 4

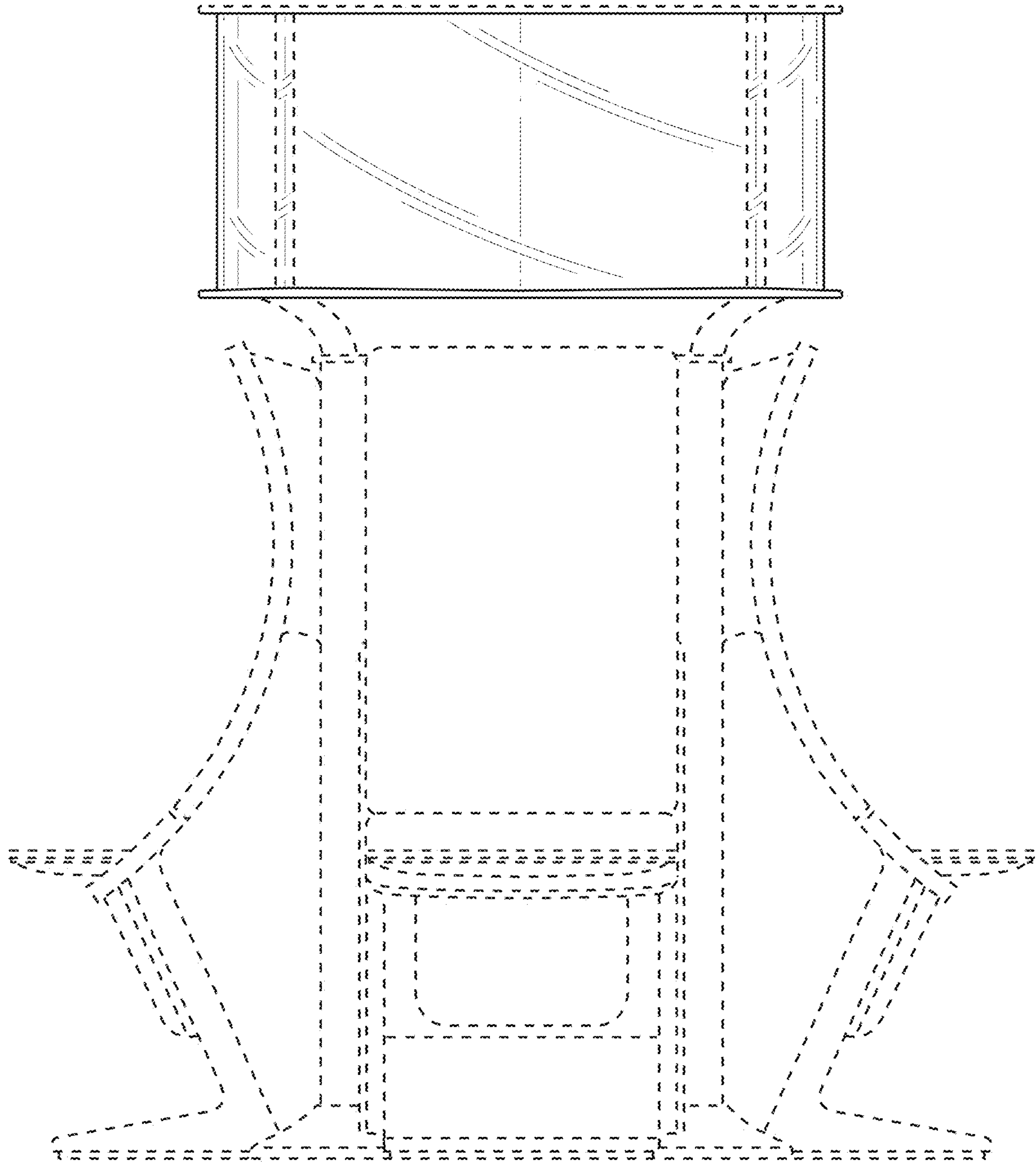


FIG. 5

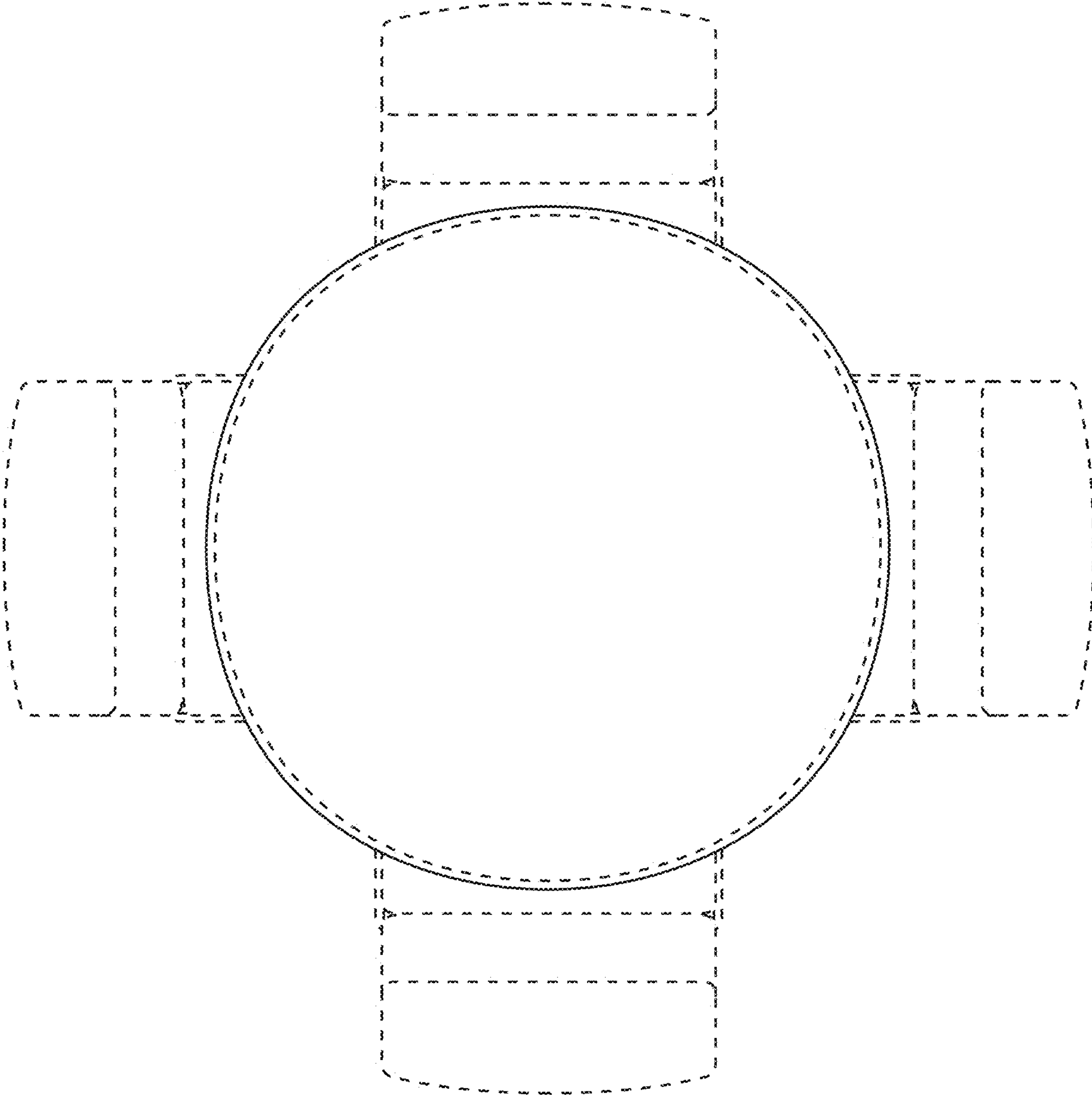


FIG. 6