



US00D952750S

(12) **United States Design Patent** (10) **Patent No.:** **US D952,750 S**
Kulujian et al. (45) **Date of Patent:** **** May 24, 2022**

(54) **GAMING MACHINE**

(71) Applicant: **BALLY GAMING, INC.**, Las Vegas, NV (US)

(72) Inventors: **Christian Kulujian**, Chicago, IL (US); **Paul Lesley**, Chicago, IL (US)

(73) Assignee: **SG Gaming, Inc.**, Las Vegas, NV (US)

(**) Term: **15 Years**

(21) Appl. No.: **29/709,113**

(22) Filed: **Oct. 11, 2019**

(51) **LOC (13) Cl.** **21-03**

(52) **U.S. Cl.**
 USPC **D21/369**

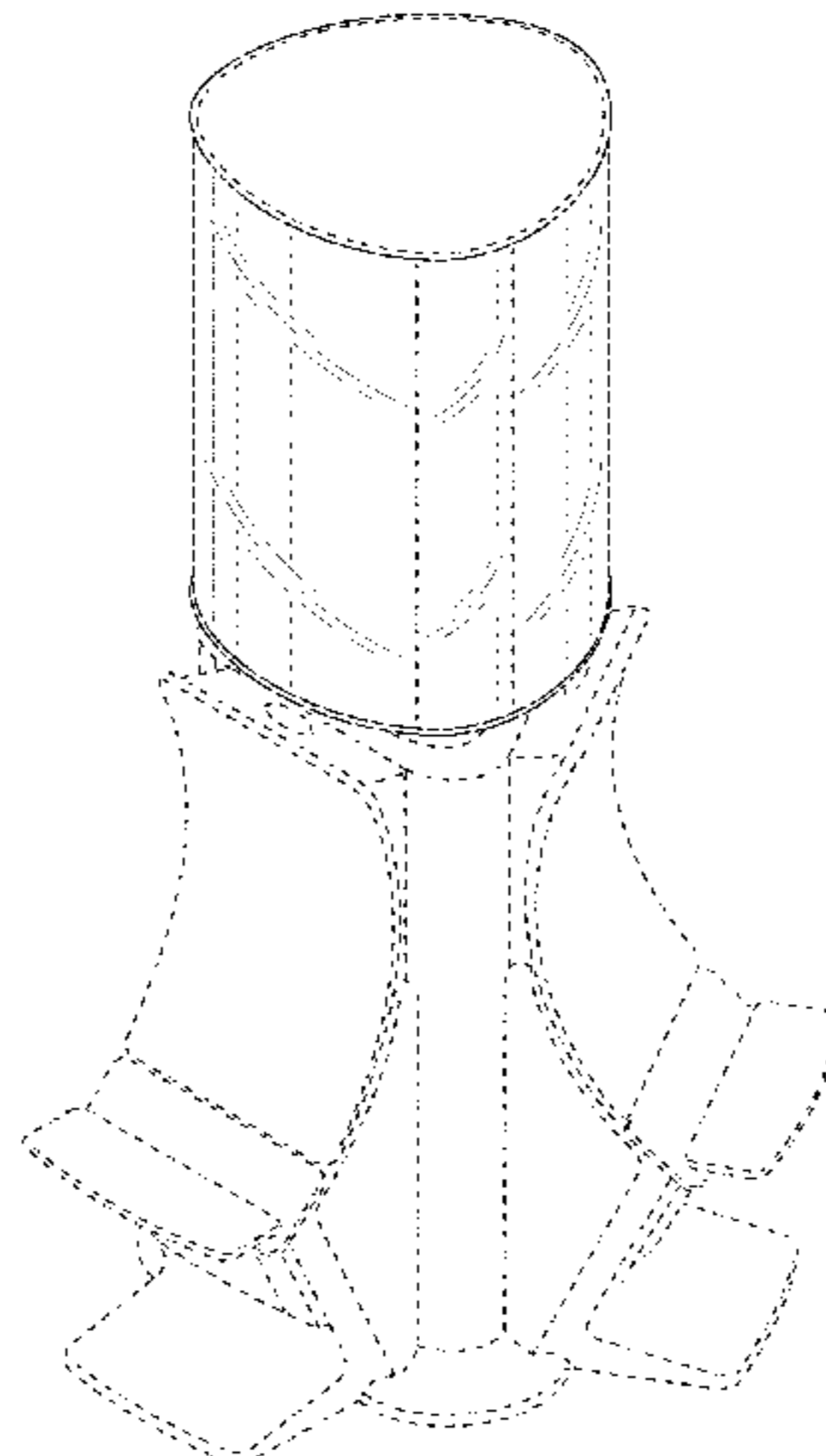
(58) **Field of Classification Search**
 USPC D21/369, 308, 324, 325, 329, 330, 331, D21/332, 333, 334, 366, 367, 392, 395, D21/397, 300, 371, 374, 376, 380, 385, D21/363, 365; D14/496, 125, 126, 127, D14/128, 129, 133, 217, 239, 307, 172, D14/325, 401, 371, 439, 432, 450, 375, D14/248, 374, 341, 138 G, 357; D6/621, D6/592, 695.5, 692, 693.1, 693.2, 693.3, D6/692.2, 691, 3, 691.2, 691.1, 688.2, D6/688.22, 688.23, 650, 650.1, 691.3; D8/66, 334, 331; D7/396, 553.3, 553.6, D7/509, 554.2, 608, 612, 706, 708, 619.1, D7/641; D9/763, 764, 767, 768, 772, D9/781, 573, 574, 564, 551, 535; D26/6, D26/22, 123, 124, 131, 137, 118, 119, D26/120, 121, 122, 141
 CPC G07F 17/321; A44C 25/00; C04B 35/56; G06F 1/1601

See application file for complete search history.

D236,720 S	9/1975	Baker	
D238,379 S	1/1976	Miller	
4,046,419 A	9/1977	Schmitt	
D264,485 S	5/1982	Kitchen	
4,372,557 A	2/1983	Del Principe et al.	
4,373,725 A	2/1983	Ritchie	
D275,772 S	10/1984	Akopian et al.	
D280,835 S	10/1985	Berge et al.	
D280,836 S	10/1985	Ludzia et al.	
4,606,545 A	8/1986	Ritchie	
4,705,274 A	11/1987	Lubeck	
4,840,343 A	6/1989	Gasser	
4,861,037 A	8/1989	Oursler	
4,960,117 A	10/1990	Moncrief et al.	
4,981,298 A	1/1991	Lawlor et al.	
D315,110 S	3/1991	Slater	
5,015,189 A	5/1991	Wenzinger	
D318,660 S	7/1991	Weber	
5,074,558 A	12/1991	Bleich et al.	
5,083,738 A	1/1992	Infanti	
5,091,677 A	2/1992	Bleich et al.	
5,102,192 A	4/1992	Barile, Sr.	
5,110,120 A	5/1992	Smolucha	
5,114,112 A	5/1992	Infanti	
5,120,058 A	6/1992	Trudeau et al.	
5,123,647 A	6/1992	Lawlor et al.	
5,143,055 A	9/1992	Eakin	
5,149,094 A	9/1992	Tastad	
D330,654 S *	11/1992	Bareiss	D6/696.1
D333,164 S	2/1993	Kraft et al.	
D333,758 S	3/1993	Lillelund	
5,193,807 A	3/1993	Schilling et al.	
5,195,746 A	3/1993	Boyd et al.	
D335,150 S	4/1993	Biagi et al.	
5,226,653 A	7/1993	Bil et al.	
5,232,191 A	8/1993	Infanti	
D339,487 S *	9/1993	Rizzi	D6/696.1
5,290,034 A	3/1994	Hineman	
5,297,793 A	3/1994	DeMar et al.	
5,316,303 A	5/1994	Trudeau et al.	
5,322,283 A	6/1994	Ritchie et al.	
5,326,104 A	7/1994	Pease et al.	
5,350,174 A	9/1994	Ritchie et al.	
D351,869 S	10/1994	Rothschild et al.	
5,351,954 A	10/1994	Oursler et al.	
5,357,104 A	10/1994	Bleich	
5,358,241 A	10/1994	Anghelo et al.	
5,358,242 A	10/1994	Trudeau et al.	
5,358,243 A	10/1994	Eddy et al.	
D352,738 S	11/1994	Anghelo et al.	
5,383,663 A	1/1995	Anghelo et al.	
5,405,144 A	4/1995	Ritchie et al.	
5,409,296 A	4/1995	Barile	

(56) **References Cited**
 U.S. PATENT DOCUMENTS

2,661,954 A 12/1953 Koci
 D214,678 S * 7/1969 Weeber D7/543



US D952,750 S

5,411,257 A	5/1995	Fulton	6,227,614 B1	5/2001	Rubin
5,415,402 A	5/1995	Morrison et al.	6,227,970 B1	5/2001	Shimizu et al.
5,415,403 A	5/1995	Ritchie et al.	D443,313 S	6/2001	Brettschneider
5,417,423 A	5/1995	Oursler et al.	D446,252 S	8/2001	Yamaguchi
5,417,425 A	5/1995	Blumberg et al.	6,283,546 B1	9/2001	Hill
5,437,453 A	8/1995	Hineman	6,290,229 B1	9/2001	Perez
5,465,963 A	11/1995	Patla, Sr.	D450,094 S	11/2001	Hedrick et al.
5,472,197 A	12/1995	Gwiasda et al.	6,334,612 B1	1/2002	Wurz et al.
5,494,286 A	2/1996	DeMar et al.	6,354,660 B1	3/2002	Friedrich
5,507,488 A	4/1996	Eddy et al.	D459,402 S	6/2002	Wurz et al.
5,511,783 A	4/1996	Popadiuk et al.	6,422,670 B1	7/2002	Hedrick et al.
5,516,103 A	5/1996	Lawlor et al.	6,422,941 B1	7/2002	Thorner et al.
5,522,641 A	6/1996	Infanti	6,439,993 B1	8/2002	O'Halloran
5,524,887 A	6/1996	Trudeau et al.	D463,504 S	9/2002	Stephan
5,533,726 A	7/1996	Nordman et al.	D464,377 S	10/2002	Wurz et al.
5,542,748 A	8/1996	Barile	D465,813 S	11/2002	Randall
D376,391 S	12/1996	Okumura	D466,160 S	11/2002	Hirato et al.
5,580,052 A	12/1996	Popadiuk et al.	D466,814 S	12/2002	Hurlburt
5,632,482 A	5/1997	Anghelo	D467,977 S	12/2002	Gatto et al.
D380,014 S	6/1997	Yang	D468,364 S	1/2003	Beadell et al.
5,655,965 A	8/1997	Takemoto et al.	6,530,842 B1	3/2003	Wells et al.
5,664,777 A	9/1997	Nordman et al.	6,530,872 B2	3/2003	Frehland et al.
5,669,818 A	9/1997	Thorner et al.	D473,079 S *	4/2003	Barry D6/349
5,678,886 A	10/1997	Infanti	6,572,187 B2	6/2003	Laufer
5,697,612 A	12/1997	Piotrowski et al.	6,589,114 B2	7/2003	Rose
5,704,835 A	1/1998	Dietz, II	6,609,972 B2	8/2003	Seelig et al.
5,707,059 A	1/1998	Sullivan et al.	6,616,142 B2	9/2003	Adams
5,720,480 A	2/1998	Lawlor et al.	6,620,047 B1	9/2003	Alcorn et al.
D395,463 S	6/1998	Scott et al.	D481,078 S	10/2003	Stephan
5,762,617 A	6/1998	Infanti	6,646,695 B1	11/2003	Gauselmann
5,791,731 A	8/1998	Infanti	6,652,378 B2	11/2003	Cannon et al.
5,806,851 A	9/1998	Gomez et al.	D483,075 S	12/2003	Kang
5,820,460 A	10/1998	Fulton	D484,548 S	12/2003	Munoz et al.
5,833,236 A	11/1998	Oursler et al.	D485,583 S	1/2004	Porto
5,857,910 A	1/1999	Watanabe et al.	6,715,756 B2	4/2004	Inoue
D405,473 S	2/1999	Tikhonski et al.	6,729,618 B1	5/2004	Koenig et al.
D406,480 S	3/1999	Lin	D492,363 S	6/2004	Seelig et al.
D407,759 S	4/1999	Isetani et al.	D492,364 S	6/2004	Seelig et al.
D408,366 S	4/1999	Popadiuk	D492,365 S	6/2004	Munoz et al.
5,890,715 A	4/1999	Gomez et al.	D492,676 S	7/2004	Monson et al.
5,899,454 A	5/1999	Eddy et al.	D493,050 S	7/2004	Domack
5,924,690 A	7/1999	Kopera et al.	D493,843 S	8/2004	Jackson, Sr. et al.
5,934,672 A	8/1999	Sines et al.	D493,846 S	8/2004	Seelig et al.
5,938,195 A	8/1999	Anghelo et al.	D495,754 S	9/2004	Wurz et al.
5,944,309 A	8/1999	Popadiuk et al.	D495,755 S	9/2004	Wurz et al.
D415,211 S	10/1999	Yamaguchi	D498,267 S	11/2004	Crouch
D417,145 S	11/1999	McLaughlin	D498,979 S *	11/2004	Bhavnani D7/510
5,984,782 A	11/1999	Inoue	D500,098 S	12/2004	Doi
6,000,697 A	12/1999	Popadiuk et al.	6,880,825 B2	4/2005	Seelig et al.
D419,201 S	1/2000	de Haas	D505,162 S	5/2005	Bristol et al.
D419,606 S	1/2000	Toriyama	D508,268 S	8/2005	Hanchar et al.
6,036,188 A	3/2000	Gomez et al.	D508,269 S	8/2005	Wichinsky
6,047,962 A	4/2000	Popadiuk	D508,719 S	8/2005	de Haas
6,047,963 A	4/2000	Pierce et al.	D508,961 S	8/2005	Gatto et al.
D424,122 S	5/2000	Dickenson et al.	D509,254 S	9/2005	Rasmussen et al.
6,071,190 A	6/2000	Weiss et al.	D509,255 S	9/2005	Bristol et al.
D428,062 S	7/2000	Hayashi	D512,105 S	11/2005	Chitrapongse et al.
6,089,663 A	7/2000	Hill	D513,511 S	1/2006	Decombe
6,102,394 A	8/2000	Wurz et al.	D515,144 S	2/2006	Boyd
6,113,097 A	9/2000	Krutsch et al.	6,997,810 B2	2/2006	Cole
6,117,010 A	9/2000	Canterbury et al.	D520,504 S	5/2006	Martin
6,120,021 A	9/2000	Piotrowski et al.	7,063,615 B2	6/2006	Alcorn et al.
6,129,353 A	10/2000	DeMar et al.	7,108,237 B2	9/2006	Gauselmann
6,129,355 A	10/2000	Hahn et al.	D531,677 S	11/2006	Mallory et al.
6,135,449 A	10/2000	Cornell et al.	D534,386 S *	1/2007	Warriner D6/707.22
6,135,562 A	10/2000	Infanti	7,184,277 B2	2/2007	Beime
6,149,153 A	11/2000	Sheats, Jr.	D537,885 S	3/2007	Gadda et al.
6,155,565 A	12/2000	Gomez et al.	D539,854 S	4/2007	Luciano et al.
6,155,925 A	12/2000	Giobbi et al.	D540,398 S	4/2007	Gadda et al.
6,158,737 A	12/2000	Cornell et al.	D543,790 S *	6/2007	Szymanski D7/607
6,159,098 A	12/2000	Slomiany et al.	D546,590 S	7/2007	Frinier
6,164,644 A	12/2000	Cornell et al.	D546,893 S	7/2007	Yamashita
6,173,955 B1	1/2001	Perrie et al.	7,247,098 B1	7/2007	Bradford et al.
D439,282 S	3/2001	Yamaguchi	D548,801 S	8/2007	Groswirt
6,199,861 B1	3/2001	Hume et al.	D548,802 S	8/2007	Damjan et al.
D439,931 S	4/2001	Yamaguchi	D549,785 S	8/2007	Luciano, Jr. et al.
6,210,279 B1	4/2001	Dickinson	7,267,612 B2	9/2007	Alcorn et al.
D441,609 S *	5/2001	Hsu D7/523	D554,710 S	11/2007	Malone et al.
6,224,482 B1	5/2001	Bennett	D556,765 S	12/2007	Evans et al.

US D952,750 S

D557,748 S	12/2007	Jumper	8,152,623 B2	4/2012	Fiden
D558,276 S	12/2007	Damjan et al.	8,162,740 B2	4/2012	Aoki
D559,328 S	1/2008	Rasmussen et al.	8,216,061 B2	7/2012	Pacey
D559,917 S	1/2008	Cole	8,235,784 B2	8/2012	Christensen
D560,724 S	1/2008	Johnson	8,267,764 B1	9/2012	Aoki et al.
D560,725 S	1/2008	Johnson	D669,076 S	10/2012	Haller
D563,326 S	3/2008	Patel et al.	8,292,451 B2	10/2012	Hwang et al.
D563,481 S	3/2008	Looks et al.	D671,528 S	11/2012	Fathollahi
D564,600 S	3/2008	Greenberg et al.	8,303,420 B2	11/2012	Chudek et al.
D564,601 S	3/2008	Strahinic et al.	8,305,743 B2	11/2012	Wu et al.
D565,876 S *	4/2008	Potente D6/707.22	8,323,114 B2	12/2012	Burak et al.
D566,197 S	4/2008	Greenberg et al.	D673,620 S	1/2013	Johnson et al.
D569,863 S	5/2008	Feldstein et al.	D673,621 S	1/2013	Johnson et al.
H2217 H	6/2008	Smay et al.	8,353,755 B2	1/2013	Vann et al.
D572,314 S	7/2008	Vallejo et al.	8,371,920 B2	2/2013	Gomez et al.
D572,770 S	7/2008	Seelig et al.	8,371,927 B2	2/2013	Englman
D578,168 S	10/2008	Looks et al.	8,371,928 B2	2/2013	Englman et al.
D578,927 S *	10/2008	Brandstatter D11/146	8,376,832 B2	2/2013	O'Connor et al.
D581,983 S	12/2008	Bergstrom	D678,955 S	3/2013	Lesley et al.
7,465,226 B2	12/2008	Ikeya et al.	D678,956 S	3/2013	Lesley et al.
RE40,625 E	1/2009	Wurz et al.	D678,957 S	3/2013	Cesaroni et al.
7,479,066 B2	1/2009	Emori	D678,958 S	3/2013	Cesaroni et al.
D585,707 S *	2/2009	Weinstein D7/612	D681,130 S	4/2013	Lesley et al.
D587,272 S	2/2009	Morrow et al.	8,430,756 B2	4/2013	McComb et al.
D587,319 S	2/2009	Moises Deiab	D682,948 S	5/2013	Cesaroni et al.
RE40,671 E	3/2009	Wurz et al.	D685,033 S	6/2013	Wudtke
D587,973 S *	3/2009	Romano D7/612	D691,661 S	10/2013	Creech
D589,368 S	3/2009	Abolfazlian	D691,665 S	10/2013	Chudek
7,503,849 B2	3/2009	Hornik et al.	D691,666 S	10/2013	Lesley et al.
D590,025 S	4/2009	Fiore	D693,343 S	11/2013	Haller
D591,800 S	5/2009	Hsu	D697,558 S	1/2014	Myers et al.
D592,429 S *	5/2009	Lovegrove D6/696.3	8,628,397 B2	1/2014	Kusuda et al.
D592,708 S	5/2009	Hsu	D704,273 S	5/2014	Chudek
D594,068 S	6/2009	Hsu	D704,275 S	5/2014	Lesley et al.
D596,678 S	7/2009	Myers	D705,608 S *	5/2014	Wolhender D7/523
D597,144 S	7/2009	Myers	D706,741 S	6/2014	Myers
D599,365 S	9/2009	Brown et al.	D712,975 S	9/2014	Lesley et al.
D599,609 S	9/2009	Ruffoni	D714,875 S	10/2014	Wudtke et al.
D599,858 S	9/2009	Lesley et al.	D715,364 S	10/2014	Wudtke et al.
D599,859 S	9/2009	Lesley	8,982,545 B2	3/2015	Kim et al.
D599,860 S	9/2009	Lesley et al.	D727,688 S	4/2015	Hewitt et al.
D601,638 S	10/2009	Palmisano	D729,205 S	5/2015	Shu et al.
D604,368 S	11/2009	Lesley et al.	D730,993 S	6/2015	Caslo et al.
7,628,693 B2	12/2009	Thomas	D740,888 S	10/2015	DePalma et al.
7,666,085 B2	2/2010	Vorias et al.	D742,257 S *	11/2015	Thompson D10/46.2
7,686,689 B2	3/2010	Thomas	D742,974 S	11/2015	Lesley et al.
D613,343 S	4/2010	Inoue	D742,975 S	11/2015	Myers et al.
D613,802 S	4/2010	Meyers et al.	D744,579 S	12/2015	Cope
D615,598 S	5/2010	McComb et al.	D760,221 S	6/2016	Maruyama et al.
7,713,119 B2	5/2010	Pacey et al.	D760,846 S	7/2016	Caslo et al.
D617,314 S	6/2010	Zha	D764,197 S *	8/2016	Yoshida D6/352
D618,512 S *	6/2010	Kimmel D7/554.2	RE46,169 E	10/2016	Kelly et al.
D622,780 S	8/2010	Lesley et al.	D780,531 S	3/2017	Seiders et al.
D622,781 S	8/2010	Lesley et al.	D780,747 S	3/2017	Sharp et al.
D622,782 S	8/2010	Chudek et al.	D780,852 S	3/2017	Sharp et al.
7,766,738 B2	8/2010	Ogiwara	9,704,337 B2	7/2017	Riggs et al.
D626,182 S	10/2010	Cole et al.	9,728,031 B2	8/2017	Schultz et al.
D626,183 S	10/2010	Cole et al.	D799,956 S	10/2017	Karmi et al.
7,811,167 B2	10/2010	Giobbi et al.	D801,753 S	11/2017	Piper et al.
D631,060 S	1/2011	Flik et al.	D802,675 S	11/2017	Steelman et al.
D631,100 S	1/2011	Palmisano	D805,588 S	12/2017	Sharp et al.
D633,950 S	3/2011	Terpstra et al.	D810,045 S	2/2018	Kim et al.
D637,238 S	5/2011	O'Keene et al.	D810,830 S	2/2018	Sharp et al.
D637,652 S	5/2011	Tahara et al.	D812,429 S *	3/2018	McLaughlin D7/523
7,938,728 B2	5/2011	Vetter et al.	D824,763 S	8/2018	Suess et al.
7,955,176 B2	6/2011	Tastad et al.	D826,338 S	8/2018	Bussey et al.
D641,047 S	7/2011	Tahara et al.	D827,598 S	9/2018	Kwon et al.
7,976,393 B2	7/2011	Haga et al.	D832,054 S *	10/2018	Klimecki D7/587
7,985,139 B2	7/2011	Lind et al.	D832,357 S	10/2018	Castro et al.
8,002,424 B2	8/2011	Hwang et al.	D832,358 S	10/2018	Castro et al.
8,002,626 B2	8/2011	Englman	D834,652 S	11/2018	Lee et al.
D644,940 S	9/2011	Hermans	D839,677 S	2/2019	Seiders et al.
D646,336 S	10/2011	Kelly et al.	D841,380 S *	2/2019	Zaccai D6/707.22
D646,337 S	10/2011	Kelly et al.	D843,238 S	3/2019	Rose et al.
D646,691 S	10/2011	Thai et al.	D843,461 S	3/2019	Castro et al.
D649,605 S	11/2011	Terpstra et al.	D843,462 S	3/2019	Castro et al.
D651,608 S	1/2012	Allen et al.	D843,463 S	3/2019	Castro et al.
D651,923 S	1/2012	Cronin	D845,258 S	4/2019	D'Ambrosio
D653,127 S	1/2012	Cronin et al.	D847,905 S	5/2019	Lewis et al.

D849,149	S	5/2019	Bussey et al.
D849,150	S	5/2019	Gallagher et al.
D849,559	S	5/2019	Swenson et al.
D853,789	S	7/2019	Adams, Jr. et al.
D857,112	S	8/2019	Cowie et al.
D858,641	S	9/2019	Legras et al.
D858,642	S	9/2019	Legras et al.
D877,811	S	3/2020	Bernard et al.
D878,477	S	3/2020	Bernard et al.
D880,605	S	4/2020	Bussey et al.
D882,699	S	4/2020	Bernard et al.
D882,700	S	4/2020	Wudtke et al.
D883,393	S	5/2020	Bernard et al.
D888,505	S	6/2020	Seiders et al.
D891,520	S	7/2020	Urban et al.
10,703,557	B2	7/2020	Foster, II et al.
D899,861	S	10/2020	Lefkowitz
D902,991	S	11/2020	Tivnon
D905,792	S	12/2020	Baerlocher et al.
D913,375	S	3/2021	Smart
D913,738	S	3/2021	Jewett
D914,807	S	3/2021	Olive et al.
2002/0041069	A1	4/2002	Steelman
2003/0122973	A1	7/2003	Huang
2004/0018877	A1	1/2004	Tastad et al.
2004/0029631	A1	2/2004	Duhamel
2004/0053662	A1	3/2004	Pacey
2005/0014547	A1	1/2005	Gomez et al.
2006/0009284	A1	1/2006	Schwartz et al.
2006/0034042	A1	2/2006	Hisano et al.
2006/0079316	A1	4/2006	Flemming et al.
2006/0131810	A1	6/2006	Nicely
2006/0183553	A1	8/2006	Kiriyama et al.
2006/0199638	A1	9/2006	Walker et al.
2006/0281559	A1	12/2006	Luciano
2006/0287111	A1	12/2006	Mitchell et al.
2008/0039213	A1	2/2008	Cornell et al.
2008/0051202	A1	2/2008	Lube
2009/0174996	A1	7/2009	Park
2010/0053231	A1	3/2010	Park
2012/0122569	A1	5/2012	Kowolik et al.
2012/0168058	A1	7/2012	Kim et al.
2012/0302315	A1	11/2012	Ikeya et al.
2013/0180653	A1	7/2013	Kim et al.
2013/0278875	A1	10/2013	Kim et al.
2014/0055696	A1	2/2014	Lee et al.
2014/0092356	A1	4/2014	Ahn et al.
2014/0176856	A1	6/2014	Lee et al.
2014/0226111	A1	8/2014	Kim
2014/0226112	A1	8/2014	Kim
2014/0354938	A1	12/2014	Kim
2014/0368782	A1	12/2014	Kim et al.
2014/0375936	A1	12/2014	Park et al.
2015/0000823	A1	1/2015	Kim et al.
2015/0036073	A1	2/2015	Im et al.
2015/0116621	A1	4/2015	Park et al.
2015/0116625	A1	4/2015	Hwang et al.
2015/0301390	A1	10/2015	Kim
2017/0297172	A1	10/2017	Zhang et al.
2018/0082523	A1	3/2018	Palermo et al.
2019/0102974	A1	4/2019	Bussey et al.
2019/0102984	A1	4/2019	Gallagher et al.

FOREIGN PATENT DOCUMENTS

EP	649 671	A1	4/1995
JP	03210172	B2	9/2001
KR	1113734	B1	2/2012
KR	2012051630	A	5/2012
KR	1268471	B1	6/2013
KR	1278904	B1	6/2013
KR	1336677	B1	12/2013
KR	1381609	B1	4/2014
KR	1381610	B1	4/2014
KR	2015013987	A	2/2015
KR	1539221	B1	7/2015
TW	200949775	A	12/2009

OTHER PUBLICATIONS

Golden gate guitar pick, announced 2011, [online], [site visited Apr. 20, 2021]. Available on internet, URL:https://www.amazon.com/Golden-Gate-Deluxe-Tortoise-Mandolin/dp/B0052S3WFU/ref=sr_1_9?dchild=1&keywords=rounded+guitar+pick&qid=1619791320&sr=8-9 (Year: 2011).*

Co-Pending Design U.S. Appl. No. 29/655,302, filed Jul. 2, 2018.

Co-Pending Design U.S. Appl. No. 29/655,307, filed Jul. 2, 2018.

Product Sheet for "American Eagle," Eagle Co. Ltd., 1997 (2 pages).

Product Sheet for "Monopoly Chairman of the Board™," WMS Gaming Inc., 1999 (2 pages).

Product Sheet for "American Eagle," Eagle Co., Ltd., 2000 (2 pages).

Product Sheet for "Survivor," WMS Gaming Inc., 2001 (4 pages).

Product Sheet for "ProSLOT®6000," Bally Gaming Systems, 2002 (4 pages).

Product Sheet for "EVO™ Hybrid," Bally Gaming Systems, 2002 (4 pages).

Product Sheet for "3RV™," WMS Gaming Inc., 2002 or earlier (2 pages).

Product Sheet for "Miss America," AC Coin & Slot, 2002 or earlier (2 pages).

Product Catalog for Ainsworth Game Technology Ltd, date estimated as early as 2007 (6 pages).

Product Sheet for "Ultrapin™," Global VR, 2007 (1 pages).

Brochure for "Virtual Pinball," Tab-Austria, 2007 (8 pages).

Catalog for Atronic@@-Spielo®, date estimated as early as 2008 (2 pages).

Product Catalog for "Alpha Elite™," Bally Technologies, date estimated as early as 2008-2009 (2 pages).

Cabinet Brochure for Hydako Co., date estimated as early as 2009 (1 page).

Product Catalog for Bally Technologies, date estimated as early as 2010 (2 pages).

Fall & Winter Catalog for Aristocrat, date estimated as early as 2010-2011 (7 pages).

Catalog for "Your Partner Innovation," Bally Technologies, date estimated as early as 2011 (4 pages).

Co-pending Design U.S. Appl. No. 29/559,629, filed Mar. 30, 2016.

Co-pending Design U.S. Appl. No. 29/559,613, filed Mar. 30, 2016.

Co-pending Design U.S. Appl. No. 29/559,593, filed Mar. 30, 2016.

Immersaview; "Why choose a Curved Screen for your Multi-Projector Setup"; Jan. 28, 2016; retrieved from <<https://www.immersaview.com/resources/why-curved/>> (7 pages).

Denison; "Why can't you buy a flat OLED yet? The curve isn't just about viewing experience"; Digital Trends; Aug. 18, 2013; retrieved from <<http://www.digitaltrends.com/home-theater-why-did-the-us-get-stuck-with-curved-oled/#!zXypT>> (8 pages).

Wilcox; "LG, Samsung, and Sony throw TV buyers a curve"; Consumer Reports; Sep. 10, 2013; retrieved from <<http://www.consumerreports.org/cro/news/2013/09/curved-tv-screens/index.htm#>> (1 page).

Snider; "Sony tosses latest pitch for curved TV displays"; USA Today; Oct. 15, 2013; retrieved from <<http://www.usatoday.com/story/tech/personal/2013/10/15/new-curved-sony-led-hdtv/2982051/>> (2 pages).

Morrison; "Curved OLED HDTV screens are a bad idea (for now)"; CNET; Jun. 18, 2013; retrieved from <<https://www.cnet.com/news/curved-oled-hdtv-screens-are-a-bad-idea-for-now/>> (9 pages).

Cochran; "Why Samsung's curved-screen TV might be a 'game changer'"; CBS News; Aug. 14, 2013; retrieved from <<http://www.cbsnews.com/news/why-samsungs-curved-screen-tv-might-be-a-game-changer/>> (3 pages).

Kelly; "TV trends at CES: 4K, curves and smart TVs"; CNN; Jan. 8, 2014; retrieved from <<http://www.cnn.com/2014/01/07/tech/gaming-gadgets/ces-television-trends/>> (5 pages).

Manjoo; "TV Makers Are Out of Ideas"; Wall Street Journal; Jan. 8, 2014; retrieved from <<https://www.wsj.com/news/articles/SB10001424052702303393804579308801012230792>> (4 pages).

Daniel; “Curved Monitors—Overview”; Curved Monitor Test; Aug. 28, 2015; retrieved from <<http://www.curved-monitor-test.de/>> (5 pages).

Matthias; “Curved TV—Overview”; Curved TV Test; Apr. 20, 2016; retrieved from <<https://technikblog.net/fernseher-test/curved-tv/>> (16 pages, in German).

Ljt216; “Flat Screen vs Curved CRTs for Retro Games”; Reddit; Jul. 29, 2015; retrieved from <https://www.reddit.com/r/gamecollecting/comments/3f25r0/flat_screen_vs_curved_crts_fo_r_retro_games/> (4 pages).

Photonics industry and Technology Development Association (PIDA); “E-Paper Shows Potential at Creating a Paperless Haven”; OptoLink Magazine, 3 Quarter 2008; pp. 8-11 (4 pages).

AU Optronics Corp.; News Center: “AUO Announces Multiple Upcoming Innovations”; Oct. 27, 2008; retrieved From <<http://www.auo.com/?sn=107&lang=en-US&c=10&n=363>>; (2 pages).

Digitimes, Inc.; “FPD China 2009: AUO 8.9-inch convex display panel”; Mar. 12, 2009; retrieved from <<http://www.digitimes.com/photogallery/showphoto.asp?ID=3376>>; (3 pages).

Gizmodo.com; “AUO Curved Displays, Ultra Thin LCDs On The Way”; May 20, 2008; retrieved from <<http://gizmodo.com/392248/auo-curved-displays-ultra-thin-lcds-on-the-way>>; (2 pages).

PC World; “AU Optronics Shows Off Curved LCD Screen”; May 20, 2008; retrieved from <<http://www.pcworld.com/article/146083/article.amp.html>> (3 pages).

DailyTech; “AUO Shows Off Curved Display and Touch Screen”; May 23, 2008; retrieved from <<http://www.dailytech.com/AUO+Shows+Off+Curved+Display+and+Touch+Screen+Tech/article11845.htm>>; (2 pages).

OLED-Info; “LG Phillips LCD Develops 14.3-Inch Color E-Paper Display”; Jan. 4, 2008; retrieved from <http://www.oled-info.com/lg/lg_phillips_lcd_develops_14_3_inch_color_e_paper_display>; (2 pages).

NewLaunches.com; “LG Phillips LCD develops world’s highest resolution 14.3-inch flexible color E-paper display!” Jan. 3, 2008; retrieved from <http://newlaunches.com/archives/lgphillips_lcd_develops_worlds_highest_resolution_143inch_flexible_color_epaper_display.php> (4 pages).

Series of Screenshots from video: Wood, Molly (Mar. 26, 2015). Major, Clare, Carr, Vanessa, eds. <https://www.nytimes.com/video/technology/personaltech/10000002788325/curved-screens-worth-it.html>.

Co-Pending Design U.S. Appl. No. 29/600,744, filed Apr. 14, 2017.

Co-Pending Design U.S. Appl. No. 29/600,745, filed Apr. 14, 2017.

Co-Pending Design U.S. Appl. No. 29/600,739, filed Apr. 14, 2017.

Azar cylinder, announced 2013 [online], [site visited Apr. 30, 2021]. Available on internet, URL: https://www.amazon.com/Azar-Displays-556610-10-Inch-Cylinder/dp/B00BVX0R2G/ref=pd_sbs_2 (Year: 2013).

Hubert Galvanized metal riser, announced 2016 [online], [site visited Apr. 30, 2021]. Available on internet, URL: Amazon.com: Galvanized Metal Pedestal Riser—10" Dia × 7"H: Industrial & Scientific (Year: 2016).

Design classics, announced 2015 [online], [site visited Apr. 30, 2021] Available on internet, URL: https://www.amazon.com/White-Barrelhadepider-Assembly/dp/B00EUYW1B8/ref=pd_pspc_hl_dps_d_0 (Year: 2015).

* cited by examiner

Primary Examiner — Khawaja Anwar
Assistant Examiner — Julice Seung Eun Oum
 (74) *Attorney, Agent, or Firm* — Banner & Witcoff, Ltd.

(57) **CLAIM**

The ornamental design for a gaming machine, as shown and described.

DESCRIPTION

FIG. 1 is a front perspective view of a gaming machine showing our new design;
 FIG. 2 is a front view thereof;
 FIG. 3 is a rear view thereof;
 FIG. 4 is a left side view thereof;
 FIG. 5 is a right side view thereof; and,
 FIG. 6 is a top view thereof.

The broken lines depicting the remainder of the gaming machine illustrates environmental structure and form no part of the claimed design. The curved oblique line shading represents that the surface is curved and that it is transparent, translucent, highly polished or reflective.

1 Claim, 6 Drawing Sheets

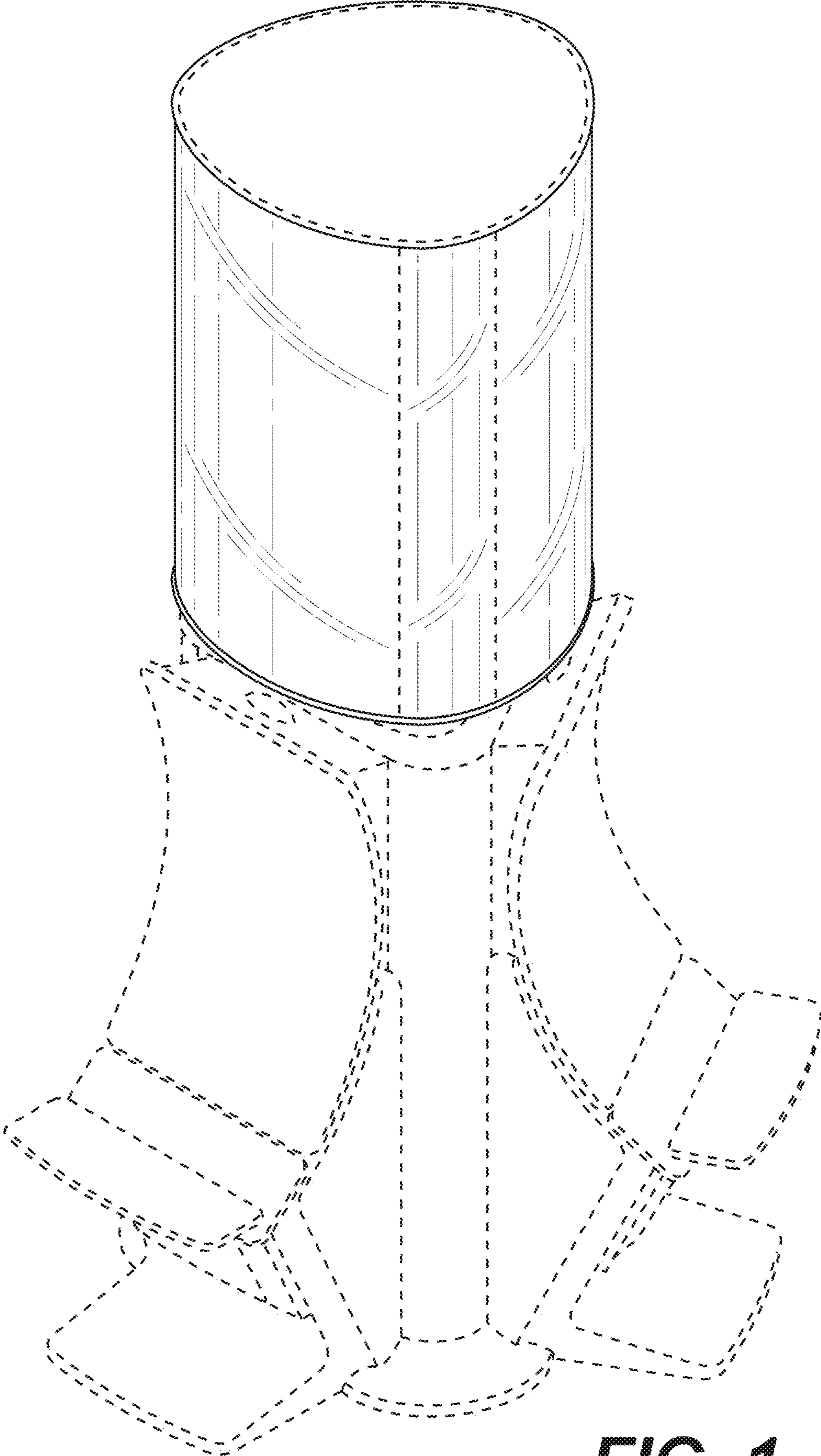


FIG. 1

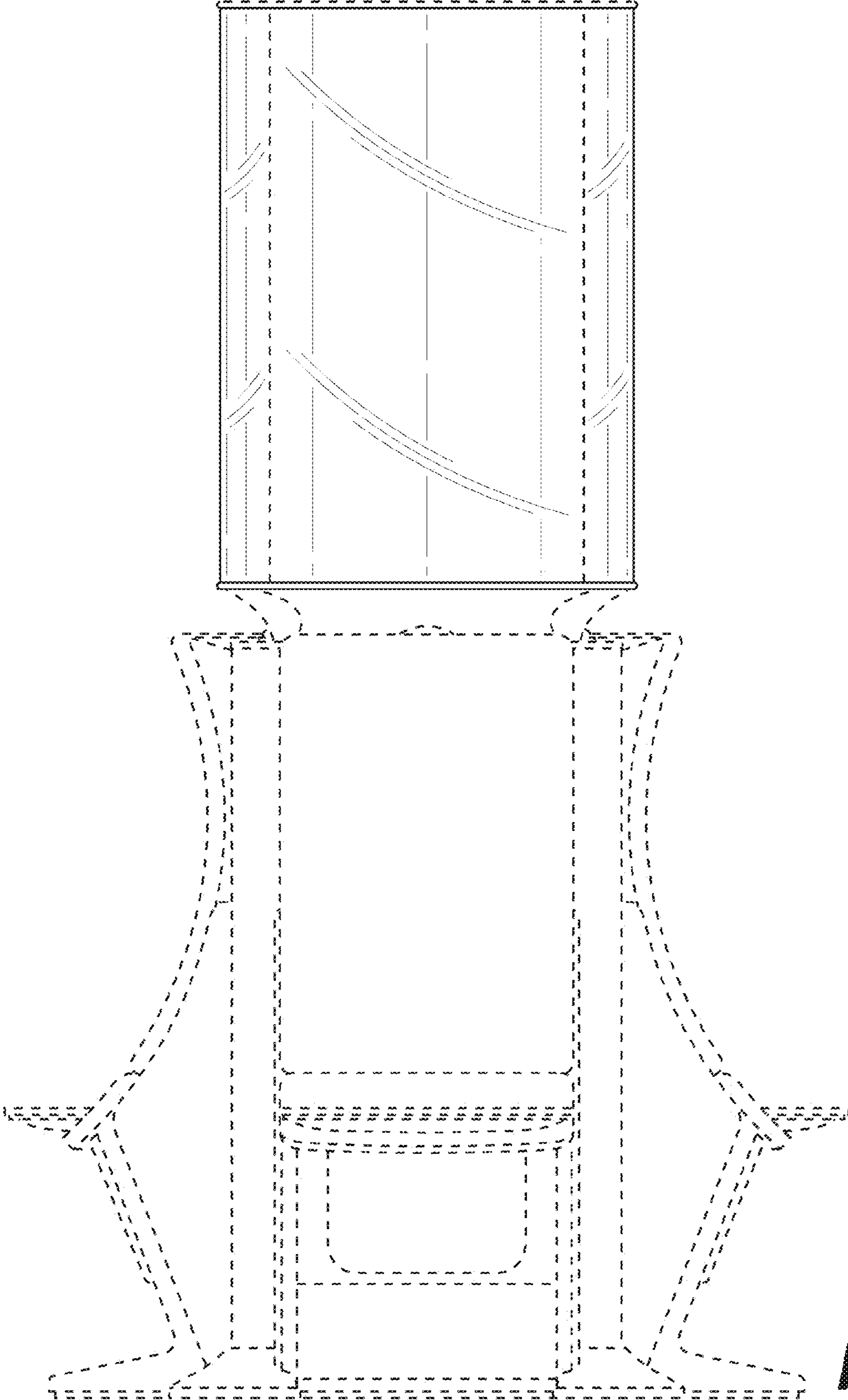


FIG. 2

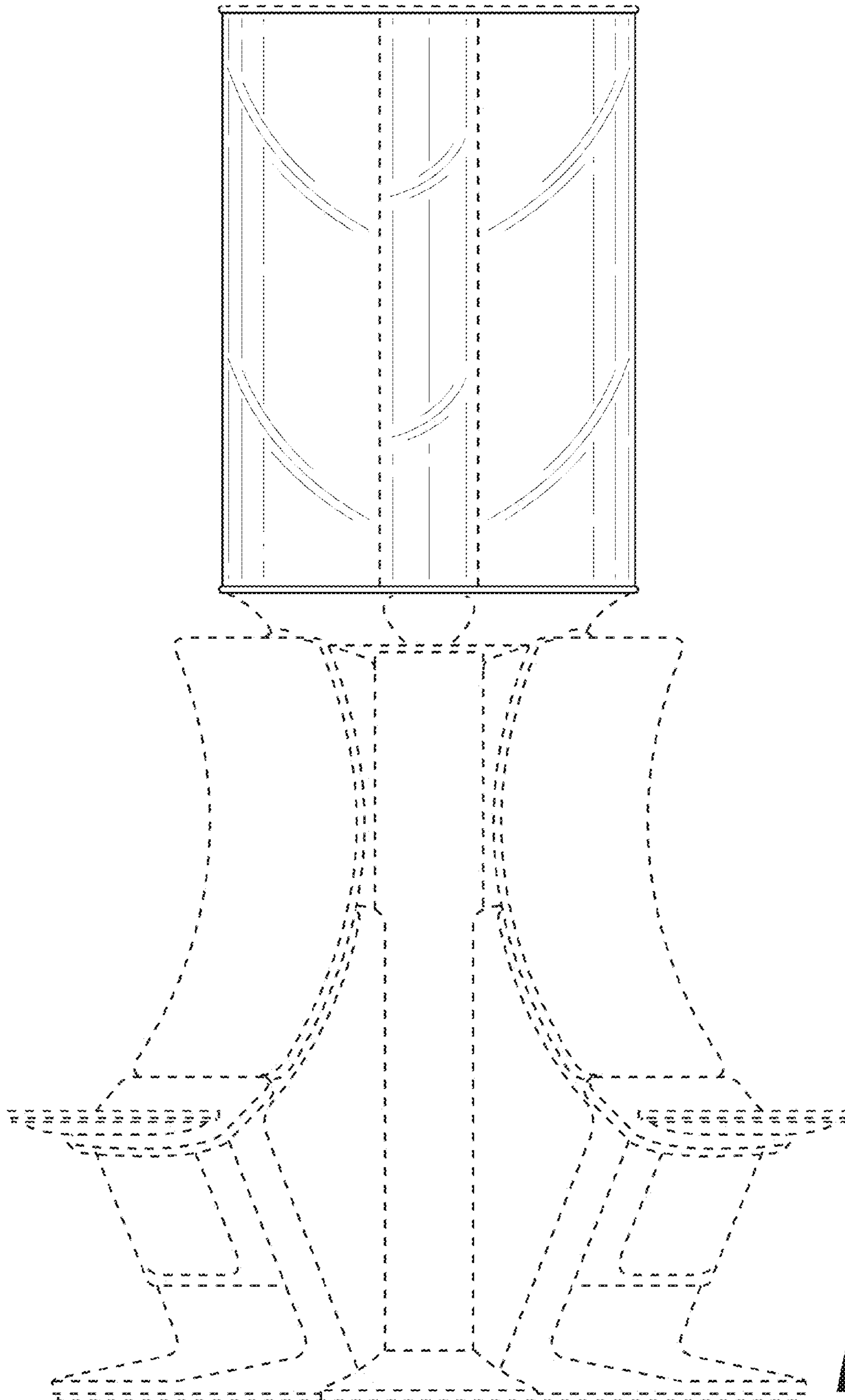


FIG. 3

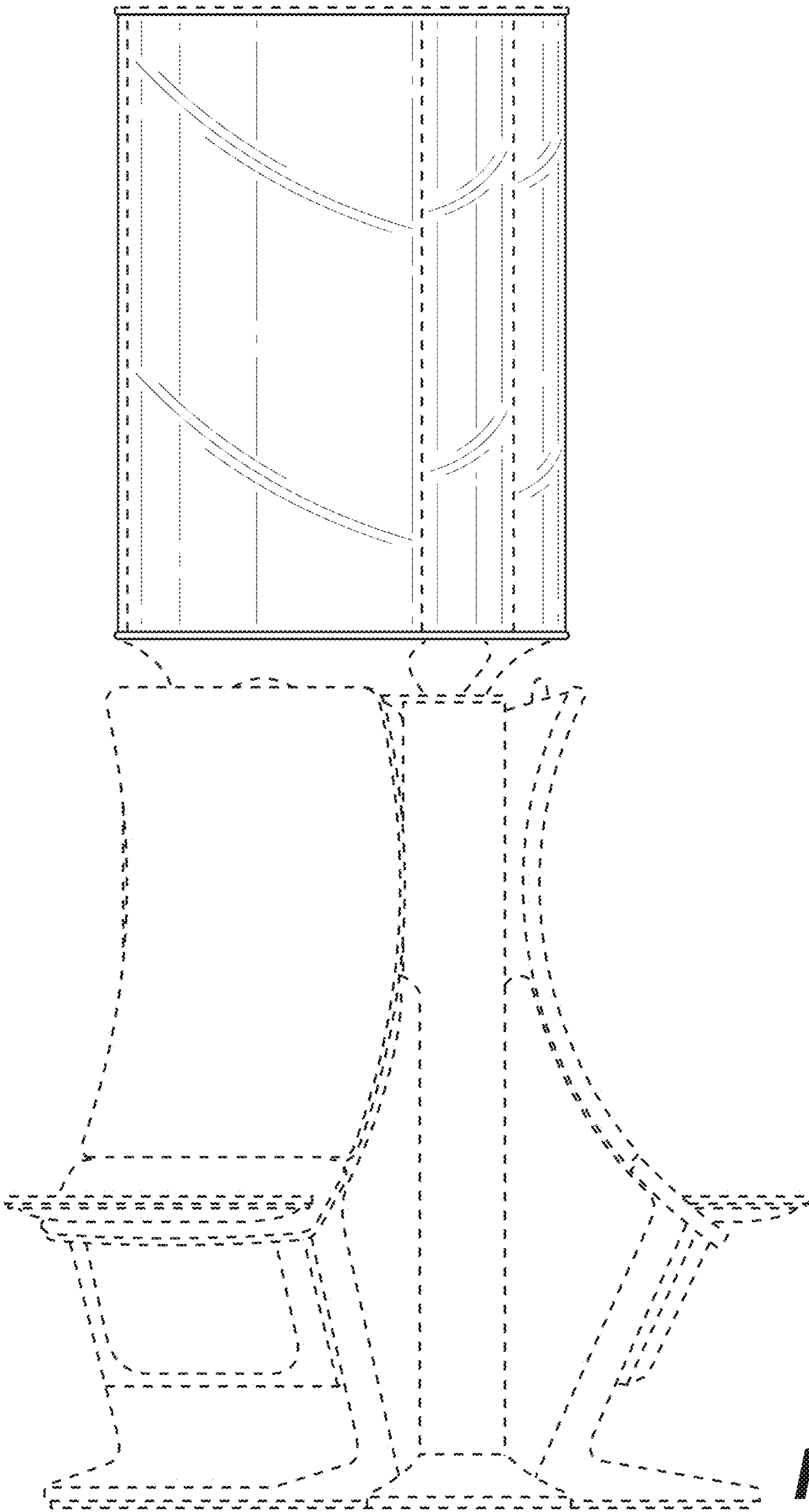


FIG. 4

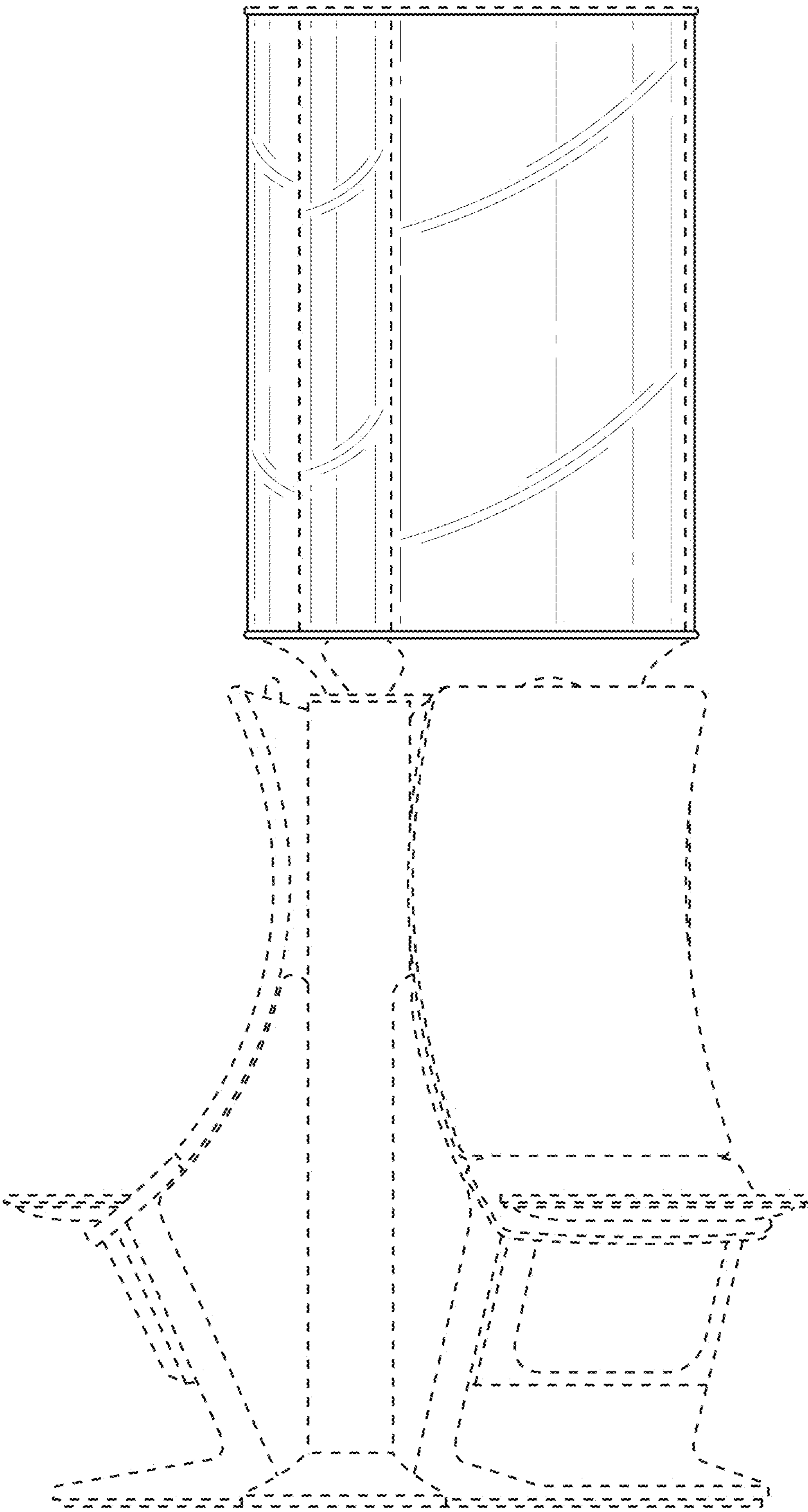


FIG. 5

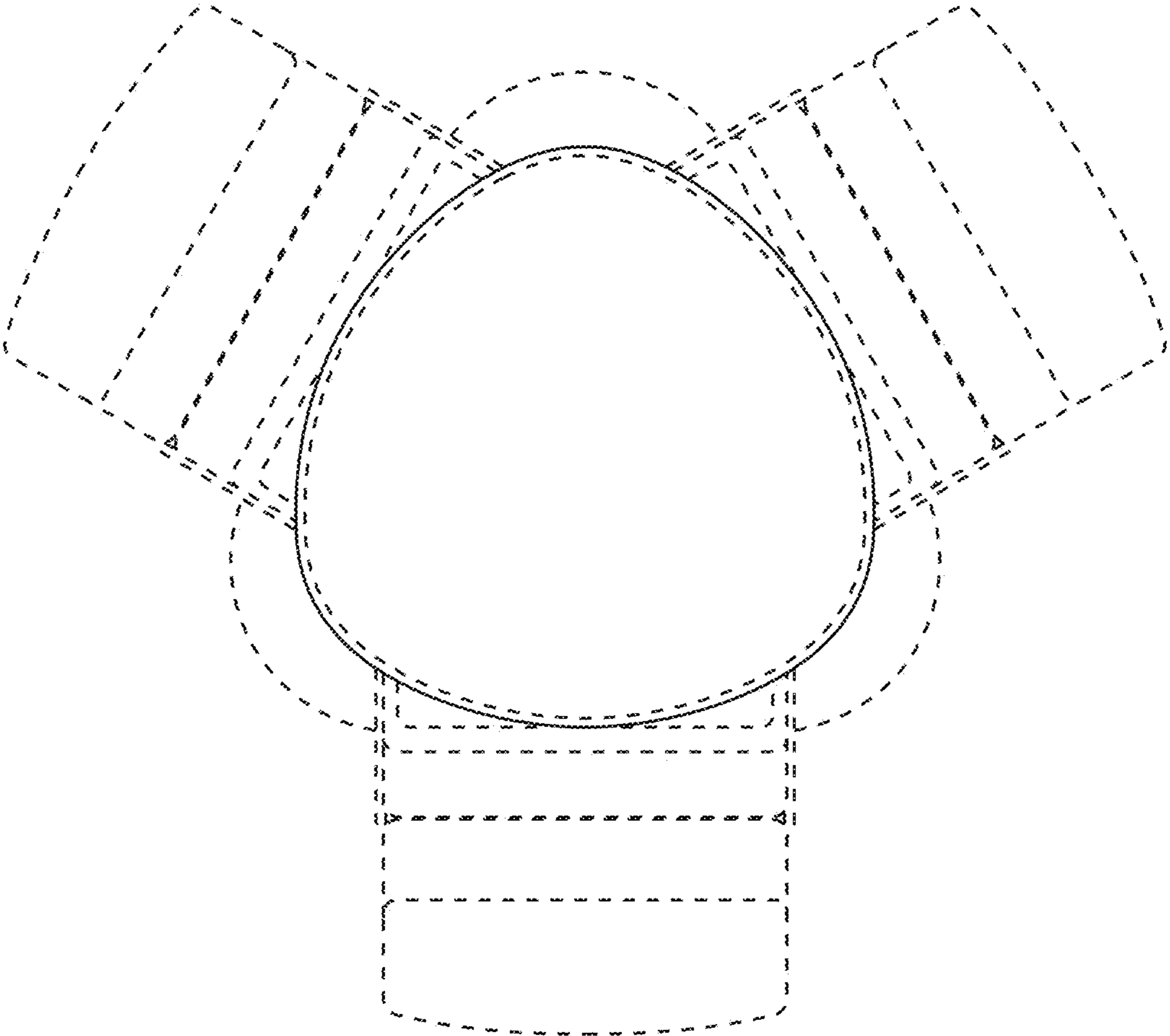


FIG. 6