



US00D952749S

(12) **United States Design Patent**
Glenn, II et al.

(10) **Patent No.:** **US D952,749 S**

(45) **Date of Patent:** **** May 24, 2022**

- (54) **GAMING MACHINE**
- (71) Applicant: **BALLY GAMING, INC.**, Las Vegas, NV (US)
- (72) Inventors: **Robert J. Glenn, II**, Chicago, IL (US);
Paul M. Lesley, Chicago, IL (US);
Timothy C. Loose, Chicago, IL (US)
- (73) Assignee: **SG Gaming, Inc.**, Las Vegas, NV (US)
- (**) Term: **15 Years**
- (21) Appl. No.: **29/665,489**
- (22) Filed: **Oct. 3, 2018**
- (51) **LOC (13) Cl.** **21-03**
- (52) **U.S. Cl.**
USPC **D21/369**
- (58) **Field of Classification Search**
USPC D21/369, 370, 371, 385, 329, 325, 394;
D14/307, 172, 129, 325, 401, 371, 126,
D14/439, 432, 450, 128, 375, 248, 374,
D14/341, 138 G, 127; 463/28, 13, 11,
463/16, 20, 25, 31, 46, 23, 30, 17, 36, 29,
463/42, 34, 32, 35, 19, 21, 22; 273/292,
273/203, 138.2, 143 R, 142 R, 138.1;
D19/60; D16/226; D8/335, 331, 334;
D26/141; D7/641
CPC G07F 17/32; G07F 17/34; G07F 17/3211;
G07F 17/3244; G07F 17/3267
See application file for complete search history.

- D682,948 S 5/2013 Cesaroni et al.
- D685,033 S 6/2013 Wudtke
- D691,666 S 10/2013 Lesley et al.
- D706,741 S 6/2014 Myers
- D740,888 S 10/2015 DePalma et al.
- D742,975 S 11/2015 Myers et al.
- D759,068 S 6/2016 Arabian et al.
- RE46,169 E 10/2016 Kelly et al.
- D771,193 S 11/2016 Aoki et al.
- D783,096 S 4/2017 Aoki et al.
- 9,704,337 B2* 7/2017 Riggs G07F 17/3258
- D820,915 S 6/2018 Lee et al.
- 10,037,651 B2 7/2018 You et al.
- D842,930 S 3/2019 Johnson et al.
- D843,460 S 3/2019 Castro et al.
- D843,461 S 3/2019 Castro et al.
- D843,467 S 3/2019 Johnson et al.

(Continued)

Primary Examiner — Ryan Harvey

(74) *Attorney, Agent, or Firm* — Banner & Witcoff, Ltd.

(57) **CLAIM**

The ornamental design for a gaming machine, as shown and described.

DESCRIPTION

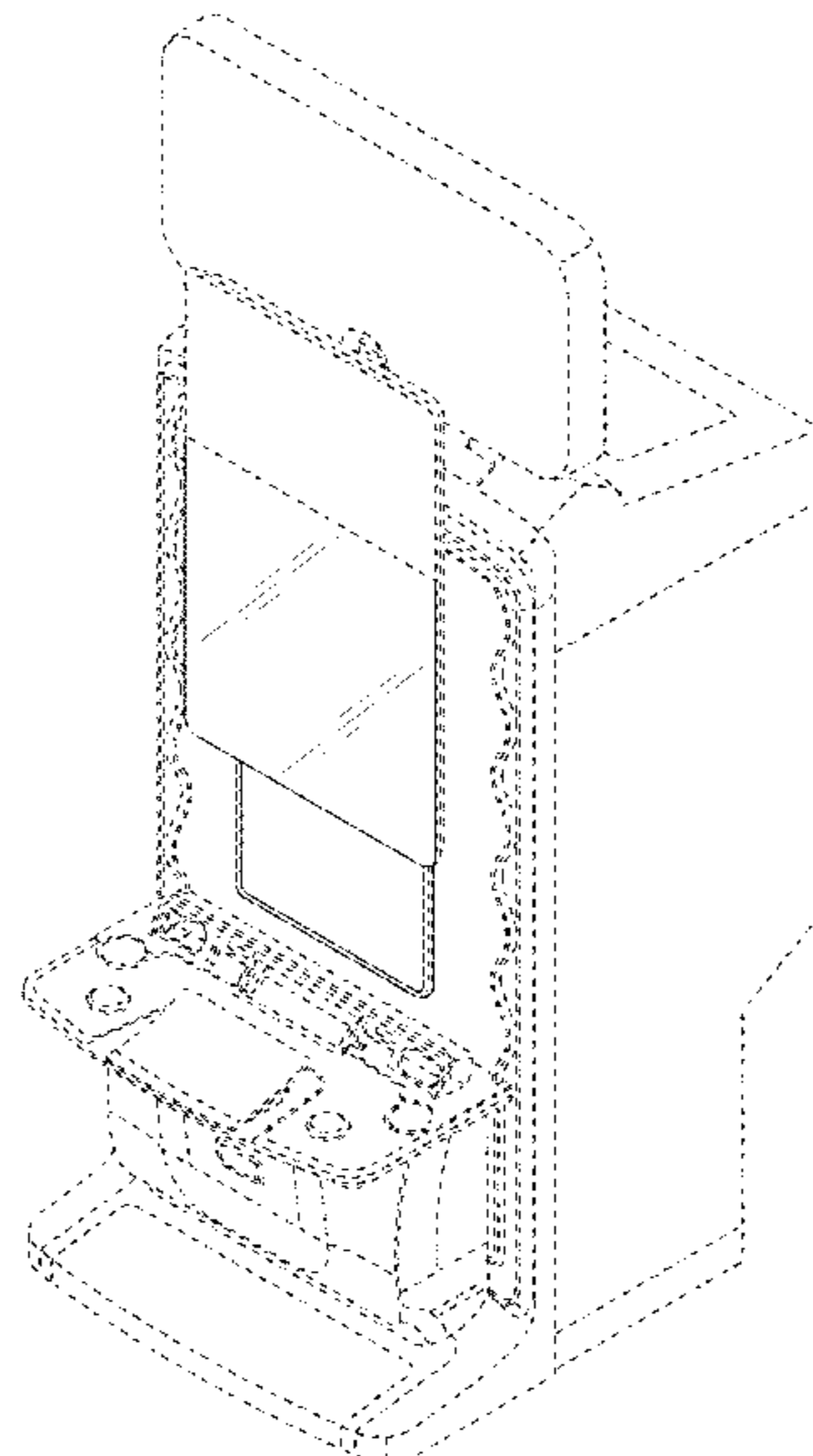
FIG. 1 is a front perspective view of the gaming machine showing our new design having a movable display shown in a raised state;
 FIG. 2 is a front view thereof;
 FIG. 3 is a left side view thereof;
 FIG. 4 is a right side view thereof;
 FIG. 5 is a front perspective view of the gaming machine shown in FIGS. 1-4 with the movable display shown in a lowered state;
 FIG. 6 is a front view thereof;
 FIG. 7 is a left side view thereof; and,
 FIG. 8 is a right side view thereof.
 The broken lines depicting the remainder of the gaming machine form no part of the claimed design.

1 Claim, 8 Drawing Sheets

(56) **References Cited**

U.S. PATENT DOCUMENTS

- 5,249,800 A 10/1993 Hilgendorf et al.
- D435,270 S 12/2000 Healy
- 6,729,618 B1 5/2004 Koenig et al.
- 7,841,944 B2* 11/2010 Wells G07F 17/3211
463/37
- D646,337 S 10/2011 Kelly et al.



(56)

References Cited

U.S. PATENT DOCUMENTS

D843,468 S 3/2019 Johnson et al.
 D843,473 S 3/2019 Zedell, Jr. et al.
 D843,474 S 3/2019 Lesley et al.
 D843,475 S 3/2019 Lesley et al.
 D843,476 S 3/2019 Lesley et al.
 D850,536 S 6/2019 Stair et al.
 D866,667 S 11/2019 Stair et al.
 D872,188 S 1/2020 Bernard et al.
 D872,189 S 1/2020 Bernard et al.
 D872,190 S 1/2020 Zedell, Jr. et al.
 D873,921 S 1/2020 Bernard et al.
 D876,344 S 2/2020 Mercer et al.
 10,559,165 B1 2/2020 Kelley et al.
 D880,606 S 4/2020 Glenn, II et al.
 D880,608 S * 4/2020 Glenn, II D21/369
 D880,609 S 4/2020 Bernard et al.
 D880,610 S 4/2020 Glenn, II et al.
 D880,612 S 4/2020 Bernard et al.
 D880,613 S 4/2020 Bernard et al.
 D880,614 S 4/2020 Bernard et al.
 D880,615 S 4/2020 Bernard et al.
 D881,285 S 4/2020 Glenn et al.
 D881,995 S 4/2020 Bernard et al.
 D882,696 S 4/2020 Lesley et al.
 D882,697 S 4/2020 Lesley et al.
 D882,698 S 4/2020 Lesley et al.
 D884,079 S 5/2020 Glenn, II et al.
 D886,207 S 6/2020 Yee et al.
 D886,208 S 6/2020 Yee et al.

D886,905 S 6/2020 Bernard et al.
 D887,495 S 6/2020 Bernard et al.
 D889,546 S 7/2020 Jones et al.
 D890,264 S 7/2020 Johnson et al.
 D890,265 S 7/2020 Johnson et al.
 D890,850 S 7/2020 Johnson et al.
 10,726,609 B2 7/2020 O'Brien
 D893,631 S 8/2020 Glinka
 D894,285 S 8/2020 Glenn et al.
 D895,019 S 9/2020 Lesley et al.
 D896,235 S 9/2020 Tedesco et al.
 10,825,286 B2 * 11/2020 Gallagher G07F 17/3211
 D910,761 S * 2/2021 Glenn, II D21/369
 D913,378 S * 3/2021 Glenn, II D21/369
 D915,523 S * 4/2021 Glenn, II D21/369
 D926,888 S * 8/2021 Glenn, II D21/369
 2009/0036208 A1 2/2009 Pennington et al.
 2013/0217486 A1 8/2013 Schlottmann
 2015/0087401 A1 * 3/2015 Glenn, II G07F 17/3211
 463/25
 2016/0093143 A1 3/2016 Lamb et al.
 2018/0053373 A1 2/2018 Goldstein et al.
 2018/0075689 A1 * 3/2018 Castro A63F 13/24
 2018/0078854 A1 3/2018 Achmueller et al.
 2019/0012874 A1 1/2019 Goldstein et al.
 2019/0066445 A1 2/2019 Satterlie et al.
 2019/0096161 A1 3/2019 Barbour et al.
 2019/0244488 A1 8/2019 Marsh et al.
 2020/0111285 A1 4/2020 Phillips, Jr. et al.
 2020/0111295 A1 4/2020 Glenn et al.
 2020/0111299 A1 4/2020 Baker et al.
 2020/0160654 A1 5/2020 Idris

* cited by examiner

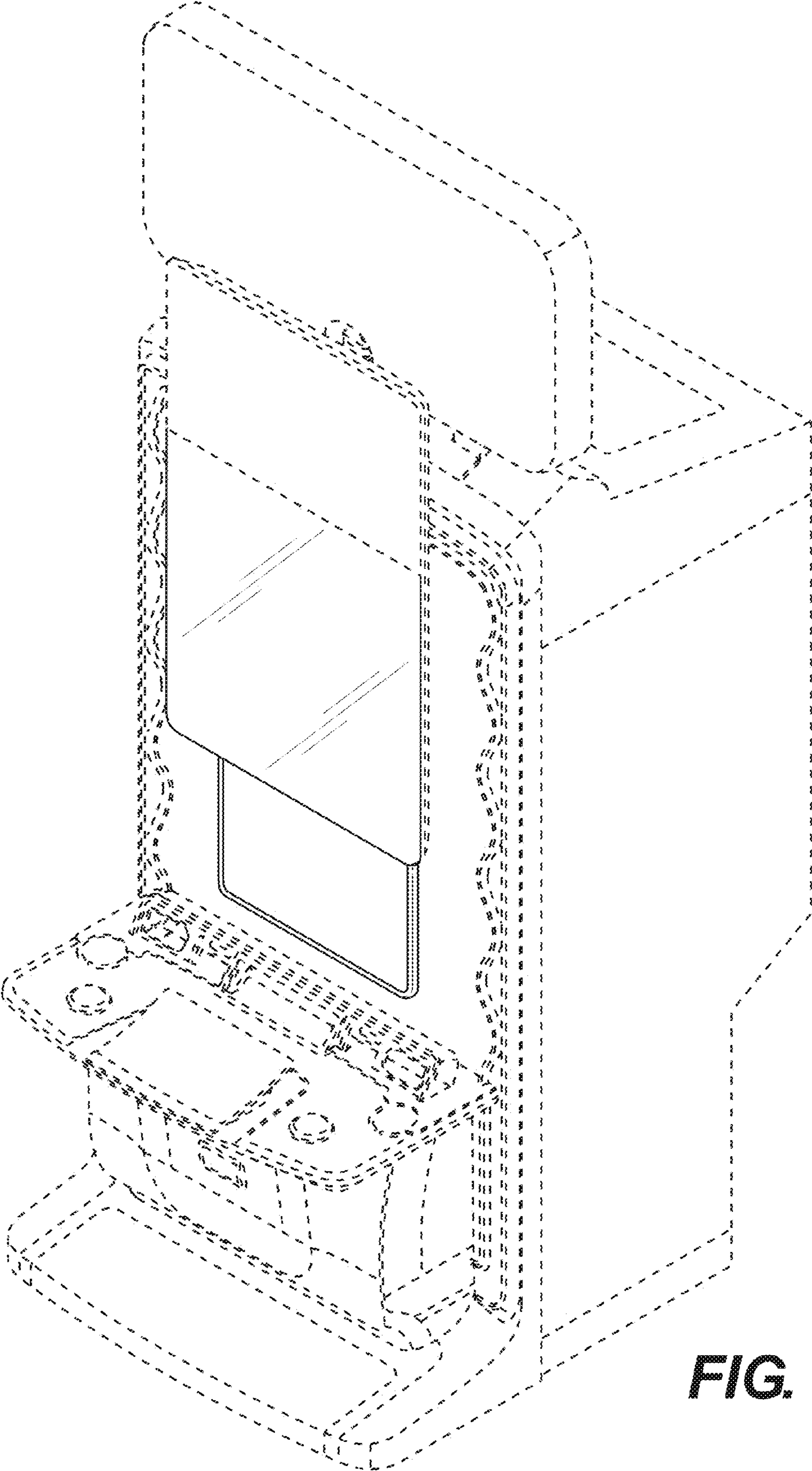


FIG. 1

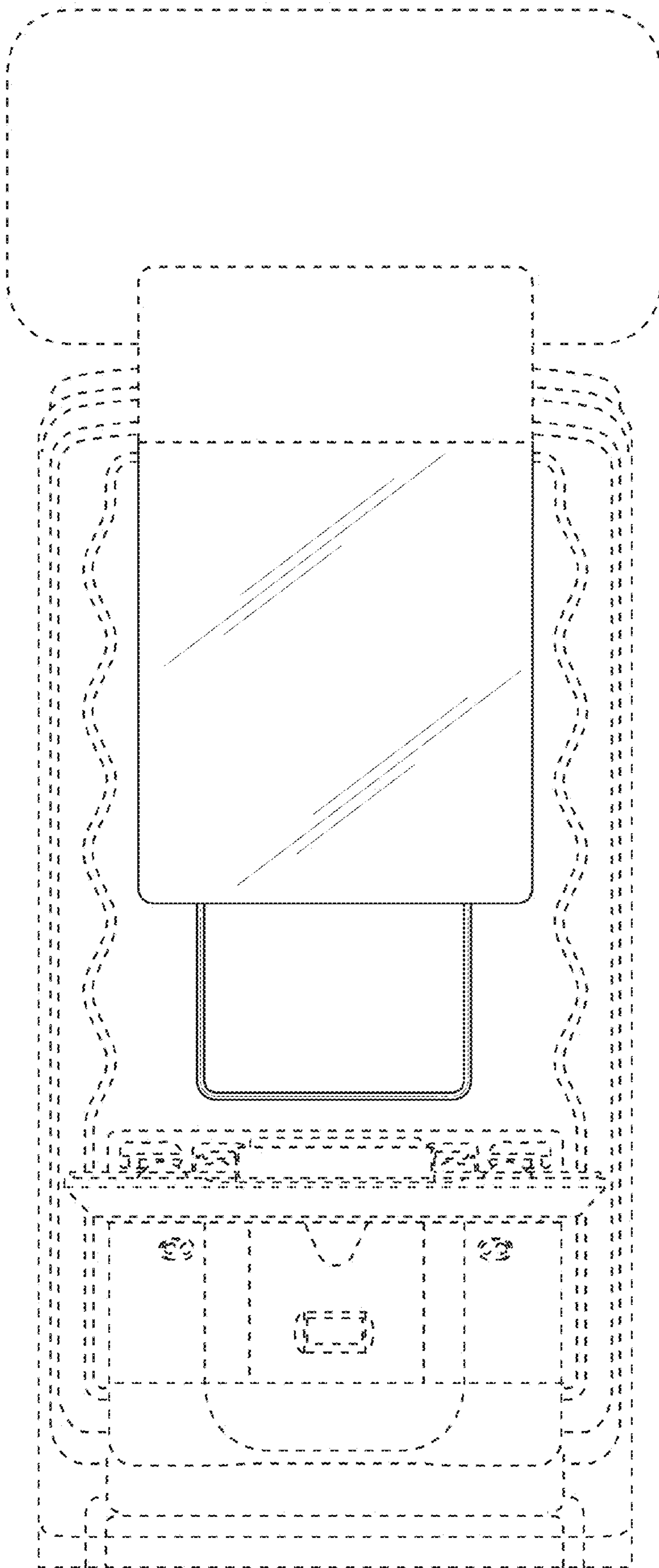


FIG. 2

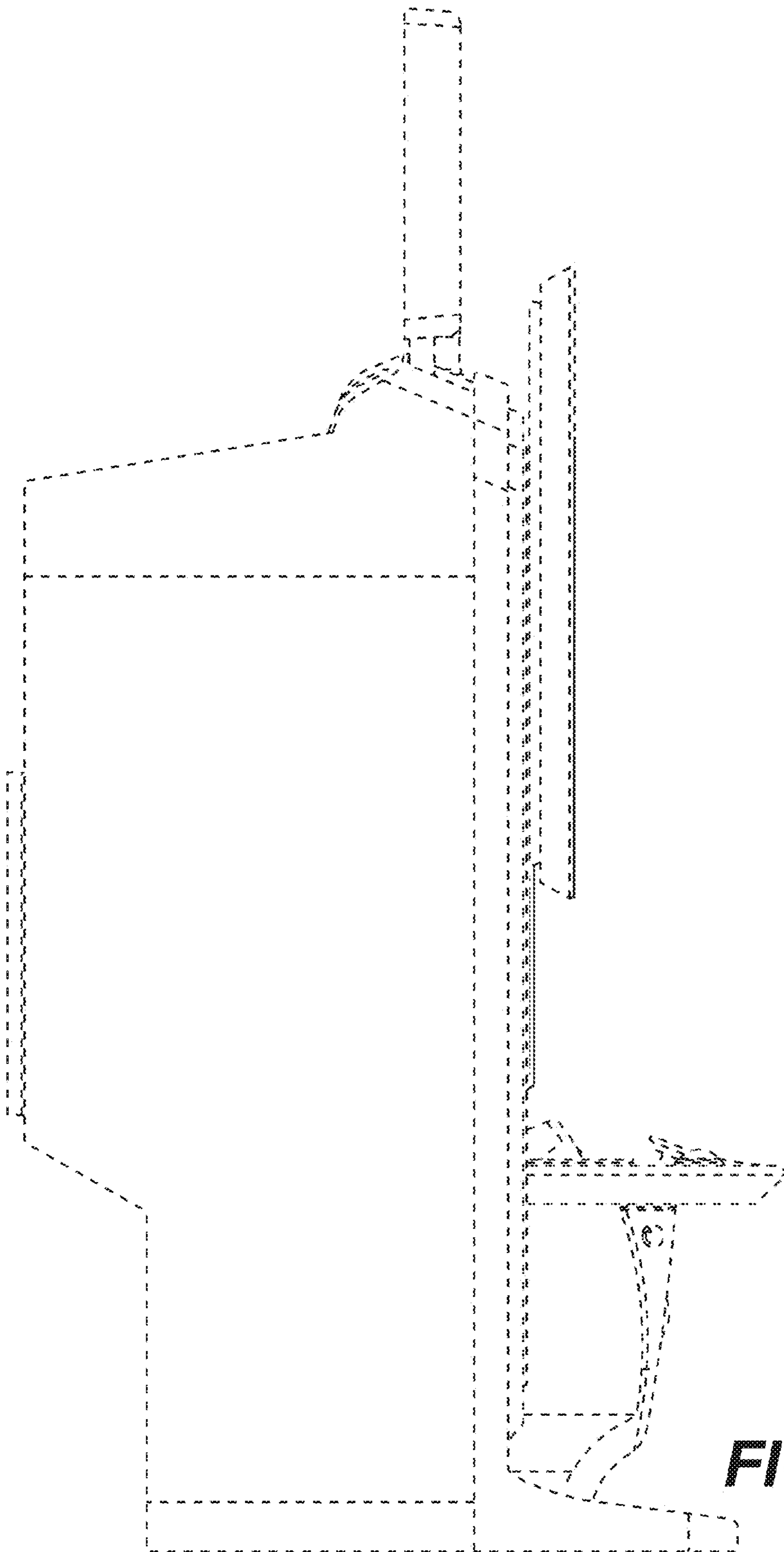


FIG. 3

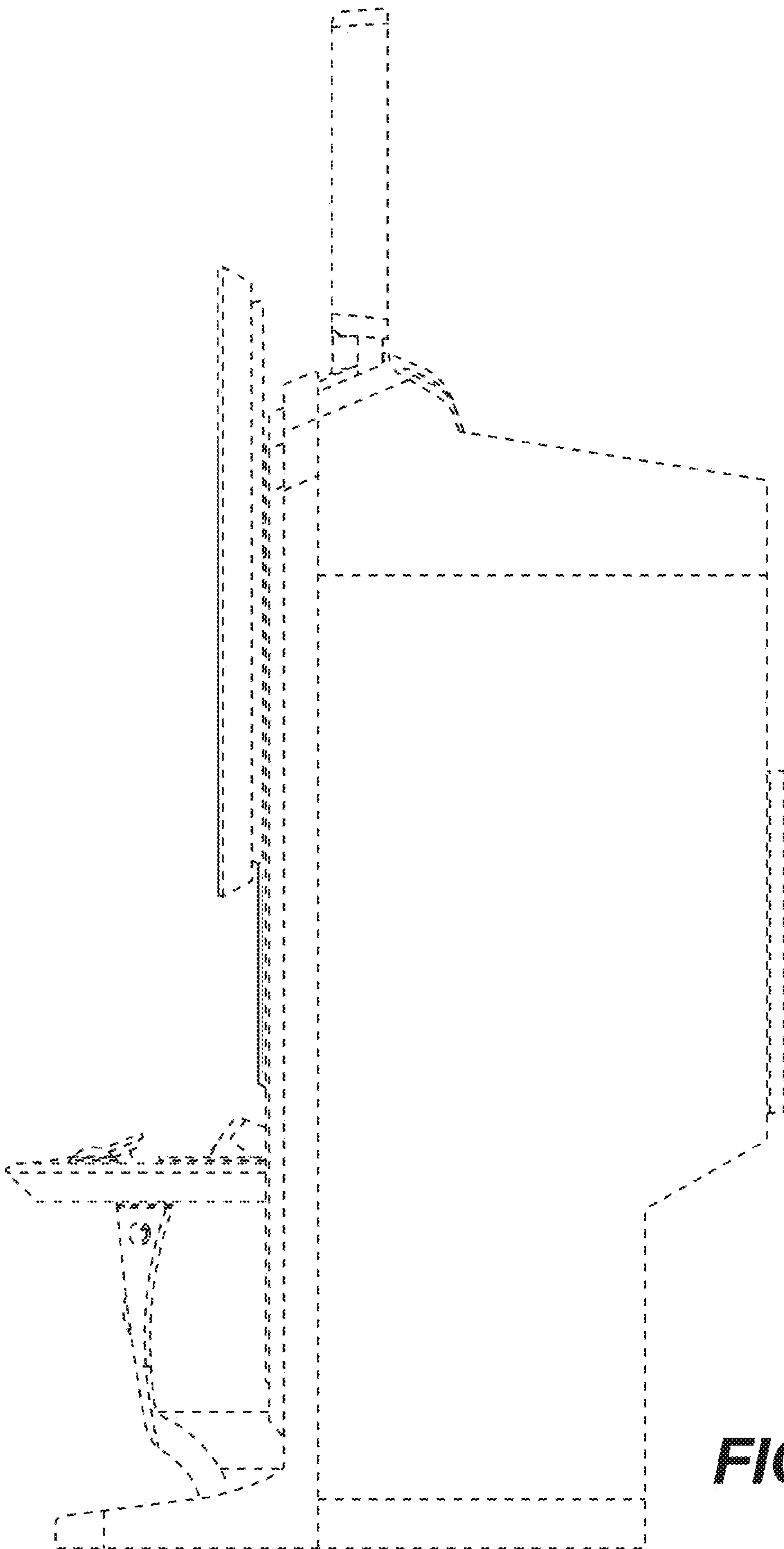


FIG. 4

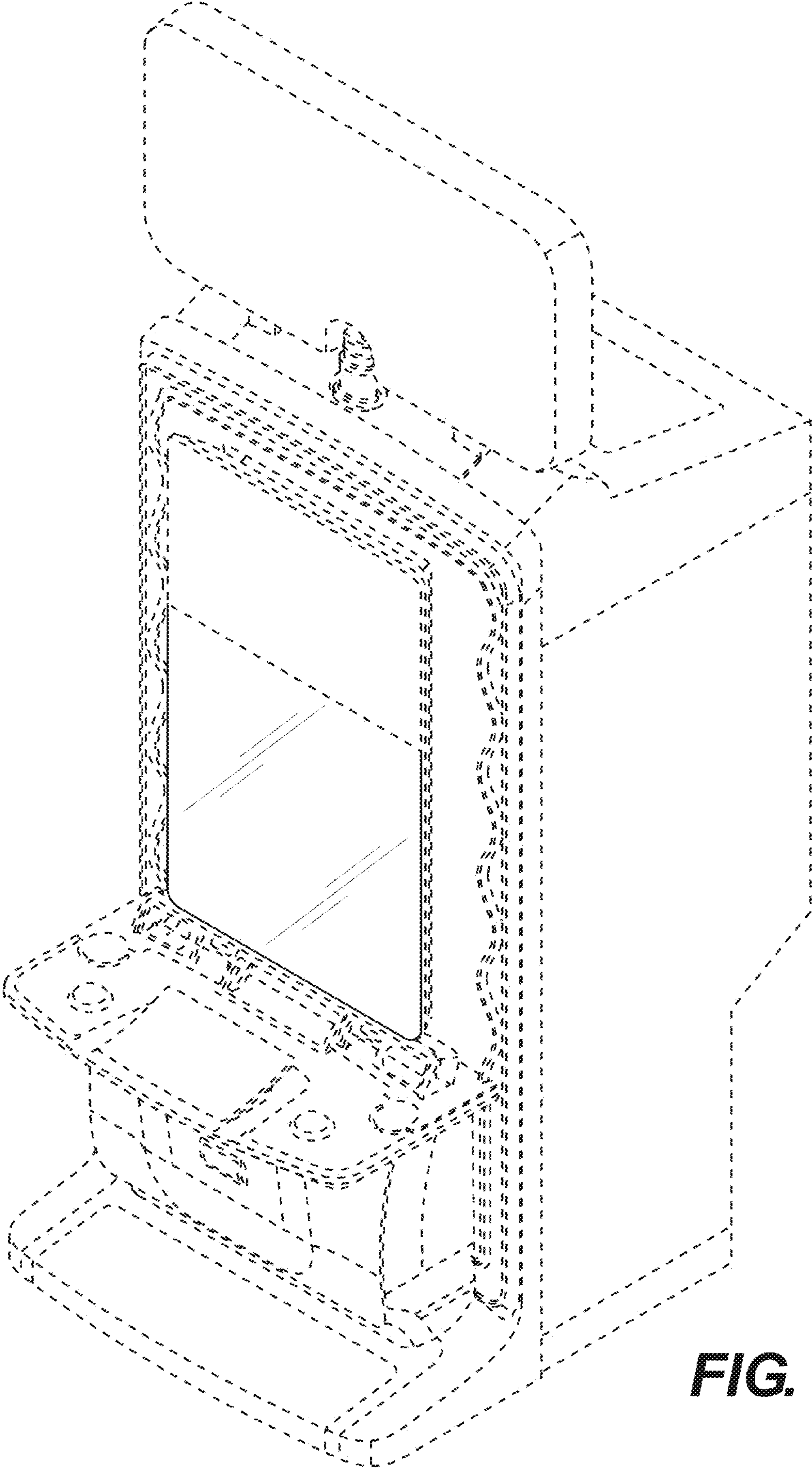


FIG. 5

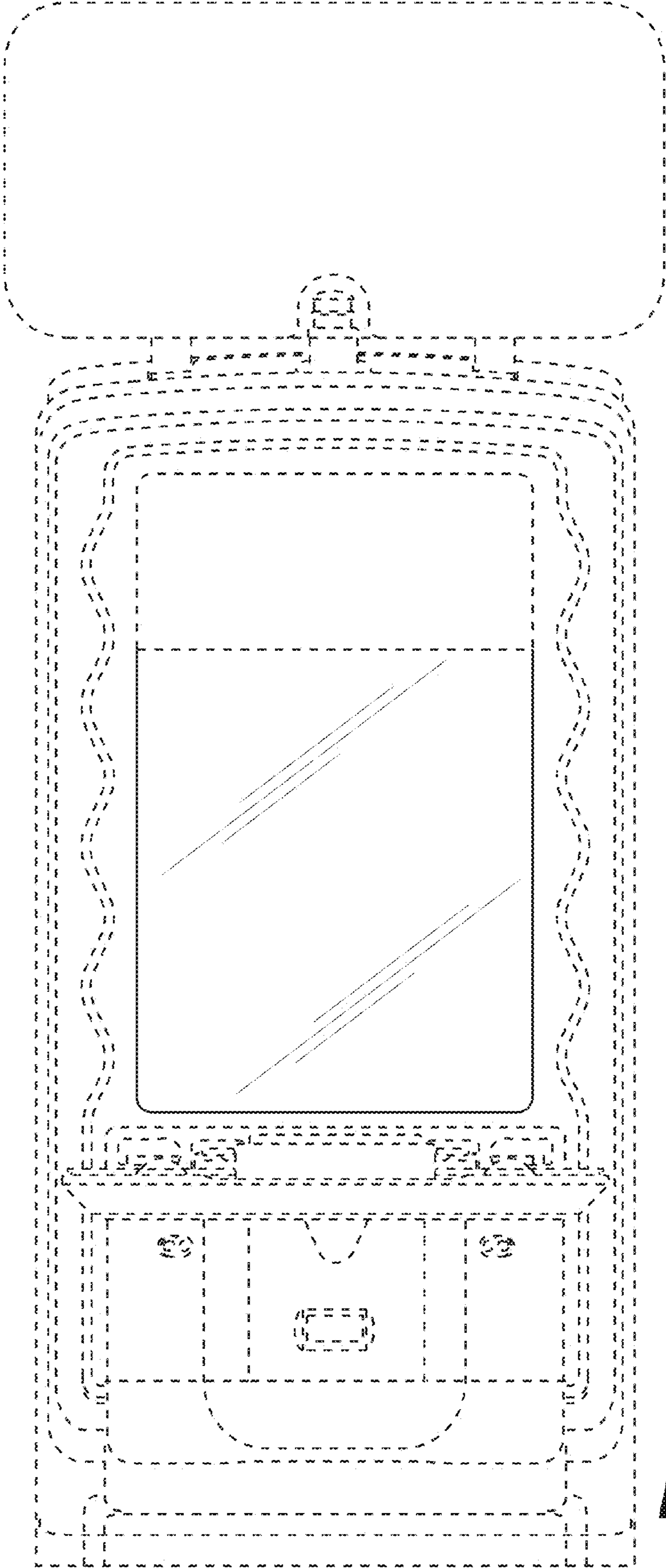


FIG. 6

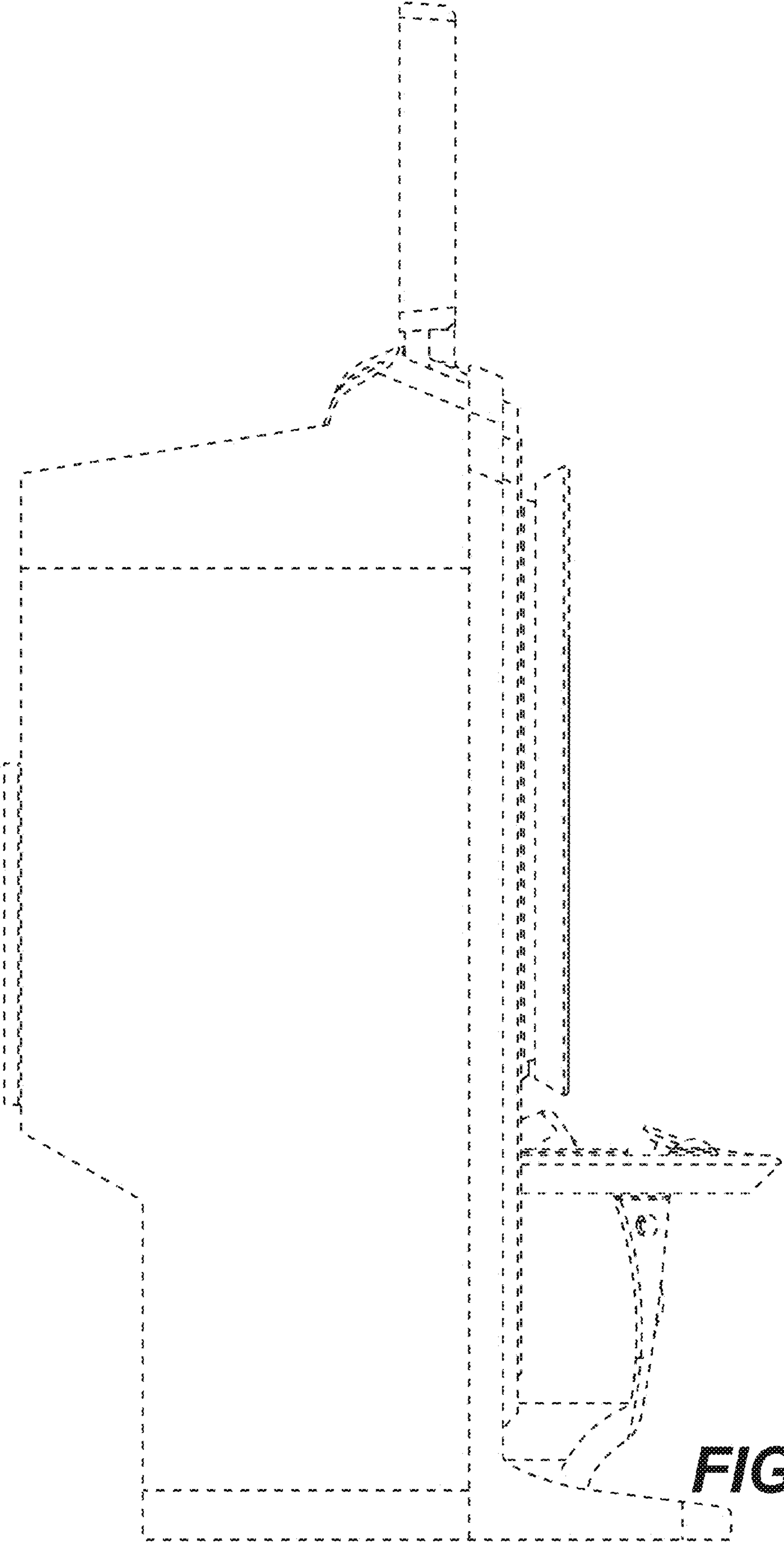


FIG. 7

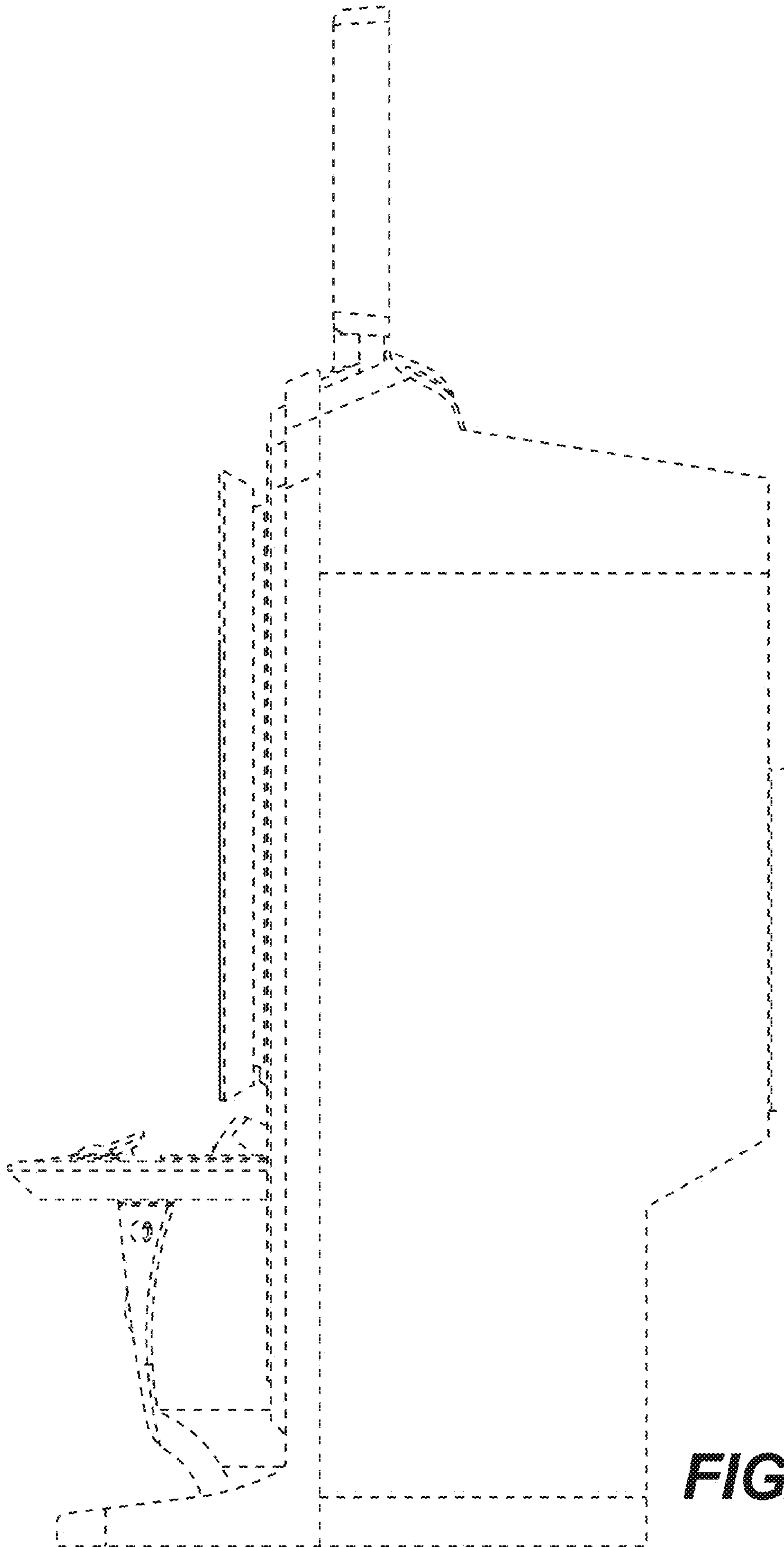


FIG. 8