



US00D952747S

(12) **United States Design Patent**
Peterson-Fikes

(10) **Patent No.:** **US D952,747 S**

(45) **Date of Patent:** **** May 24, 2022**

(54) **BOARD GAME**

7/0616-0636; A63F 7/30; A63F 7/36;
A63F 7/0005; A63F 7/0017; A63F
7/0023; A63F 2007/0035; A63F
2007/367; A63F 2007/3674

(71) Applicant: **Robert Peterson-Fikes**, Newport News,
VA (US)

See application file for complete search history.

(72) Inventor: **Robert Peterson-Fikes**, Newport News,
VA (US)

(56) **References Cited**

(**) Term: **15 Years**

U.S. PATENT DOCUMENTS

(21) Appl. No.: **29/717,344**

D34,594 S *	5/1901	Brown	D21/362
1,095,934 A *	5/1914	Seed	A63F 3/00006
				273/249
1,196,748 A *	8/1916	Smith	A63F 3/00006
				273/242
1,532,160 A *	4/1925	Seymour	A63F 5/00
				273/142 F
1,558,288 A *	10/1925	Roman	A63F 3/00006
				273/249
1,572,254 A *	2/1926	Tornes	A63F 3/00006
				273/249
1,616,328 A *	2/1927	Nix	A63F 3/00082
				273/249

(22) Filed: **Dec. 17, 2019**

(51) **LOC (13) Cl.** **21-01**

(52) **U.S. Cl.**

USPC **D21/336**; D21/334; D21/363

(58) **Field of Classification Search**

USPC D21/334, 335-342, 355-359, 365, 318,
D21/397, 363; 273/241, 242, 244-247,
273/259, 275-277, 281, 282.1-282.3,
273/284, 287, 317.3, 108.1, 108.5, 118 D,
273/236-240, 283, 309, 441, 461;
D6/406.1, 406.3, 406.4, 406.6; D19/86,
D19/92, 95, 87, 113, 75, 77, 78, 80;
108/14, 62, 43, 67; 434/416, 247, 248,
434/251, 408, 413, 145, 430

CPC A63F 3/00; A63F 3/00003; A63F 3/00028;
A63F 3/00041; A63F 3/00044; A63F
3/00047; A63F 3/00173; A63F 3/00176;
A63F 3/00214; A63F 3/00261; A63F
3/00643; A63F 3/00646-00659; A63F
3/04; A63F 2003/00182; A63F
2003/00223; A63F 2003/00457; A63F
2003/0046; A63F 2003/00463; A63F
2003/00466; A63F 2003/0047; A63F
2003/00485; A63F 2003/00492; A63F
2003/00507; A63F 2003/00514; A63F
2003/00533; A63F 2003/00552; A63F
2003/00558; A63F 2003/00943; A63F
2003/00946; A63F 2003/00952-00962;
A63F 2003/00974; A63F 7/00; A63F
7/06; A63F 7/0612; A63F 7/0604; A63F

(Continued)

Primary Examiner — Susan Moon Lee
(74) *Attorney, Agent, or Firm* — Goodman Allen
Donnelly PLLC; Matthew R. Osenga, Esq.

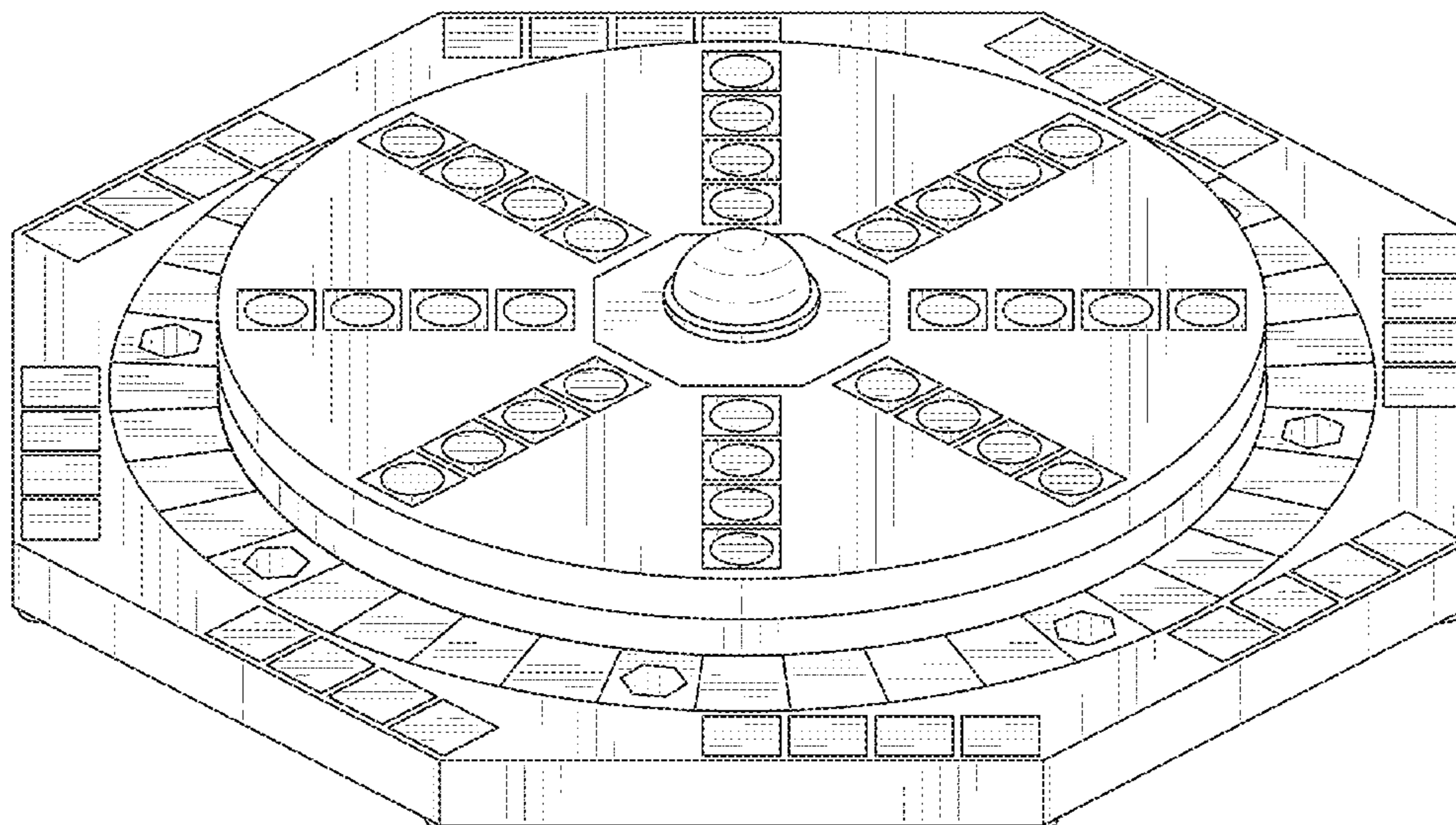
(57) **CLAIM**

I claim the ornamental design for a board game, as shown
and described.

DESCRIPTION

FIG. 1 is a perspective view of a board game of my design.
FIG. 2 is a front elevation view thereof;
FIG. 3 is a rear view thereof;
FIG. 4 is a side elevation view thereof;
FIG. 5 is an opposite side elevation view thereof;
FIG. 6 is a top view of the board game of FIG. 1; and,
FIG. 7 is a bottom view of the board game of FIG. 1.

1 Claim, 7 Drawing Sheets



(56)

References Cited

U.S. PATENT DOCUMENTS

1,625,055 A *	4/1927	Sandel	A63F 3/00176	4,341,388 A *	7/1982	Carter	A63F 3/00088
			D21/367				273/248
2,006,176 A *	6/1935	Quine	A63F 3/0423	4,477,080 A *	10/1984	Baker	A63F 3/00006
			273/248				273/241
D114,812 S *	5/1939	Graef	D21/367	D282,085 S *	1/1986	Hensley	D21/361
2,194,854 A *	3/1940	Le	A63F 3/00006	4,778,186 A *	10/1988	Dudley	A63F 3/001
			D21/367				273/243
D123,817 S *	12/1940	Moring	D21/345	D301,493 S *	6/1989	Livernoise	D21/813
2,238,829 A *	4/1941	Schoonderwoerd	A63F 3/00006	4,907,808 A *	3/1990	Turner	A63F 3/00006
			273/281				273/276
D137,838 S *	5/1944	McGrath	D21/367	D311,427 S *	10/1990	Banerjee	D21/363
2,722,424 A *	11/1955	Hum	A63F 3/00176	4,984,805 A *	1/1991	Medlock	A63F 3/04
			273/261				273/282.1
3,109,652 A *	11/1963	Strand	A63F 3/00072	4,998,735 A *	3/1991	Blackwell, III	A63F 3/00006
			273/287				273/249
3,253,828 A *	5/1966	Joslyn	A63F 5/04	D320,237 S *	9/1991	Turner	D21/363
			273/288	5,118,110 A *	6/1992	Jones	A63F 5/04
3,371,931 A *	3/1968	Saunders	A63F 3/00006				273/142 H
			273/287	D328,616 S *	8/1992	Elder	D21/336
D211,529 S *	6/1968	Donnellon	D21/361	D349,304 S *	8/1994	Marsolais	D21/336
3,395,922 A *	8/1968	Garangiotis	A63F 3/00006	5,407,205 A *	4/1995	Larson	A63F 3/00006
			273/282.1				273/248
3,672,680 A *	6/1972	Grey	A63F 3/00006	D359,077 S *	6/1995	Larsen	D21/367
			273/242	5,480,157 A *	1/1996	Plummer	A63F 3/00006
3,762,714 A *	10/1973	Wilson	A63F 3/00006				273/432
			273/280	D392,339 S *	3/1998	Truman	D21/348
3,781,015 A *	12/1973	Ellman	A63F 9/34	5,816,819 A *	10/1998	Rockburn	G09B 27/00
			273/153 R				434/106
3,843,131 A *	10/1974	Stubbmann	A63F 3/00006	D408,867 S *	4/1999	Tompkins	D21/361
			273/153 S	6,059,290 A *	5/2000	Neil	A63F 3/00
3,850,433 A *	11/1974	Purlia	A63F 3/00138				273/287
			273/142 E	6,267,375 B1 *	7/2001	Bernstein	A63F 3/00006
3,865,379 A *	2/1975	Breslow	A63F 3/00072				273/308
			273/138.2	D457,920 S *	5/2002	Tompkins	D21/360
3,918,715 A *	11/1975	Puglis	A63F 3/00176	6,419,228 B1 *	7/2002	Egli	A63F 3/00214
			273/261				273/287
4,030,762 A *	6/1977	Gilmore	A63F 3/00006	6,471,207 B1 *	10/2002	Schlaifer	A63F 3/00157
			273/248				273/287
4,049,275 A *	9/1977	Skelton	A63F 3/00694	6,585,268 B2 *	7/2003	Williams	A63F 1/04
			273/239				273/293
4,109,918 A *	8/1978	Mele	A63F 3/00072	6,783,127 B2 *	8/2004	Fish	A63F 3/00176
			273/282.1				273/287
D254,428 S *	3/1980	Lasowski	D6/692	7,255,348 B1 *	8/2007	Shaffer	A63F 3/00
4,208,054 A *	6/1980	Hahn, Jr.	A63F 3/00176				273/287
			273/258	7,413,192 B1 *	8/2008	Van Buren	A63F 3/00176
4,225,138 A *	9/1980	Wolf	A63F 3/00145				273/262
			273/287	8,328,196 B1 *	12/2012	Kihlslinger	A63F 3/00261
4,326,711 A *	4/1982	Giallombardo	A63F 9/18				273/287
			434/327	8,353,515 B2 *	1/2013	Cheng	A63F 3/00214
							273/287
				D691,211 S *	10/2013	Beste	D21/341
				8,579,291 B2 *	11/2013	Williams	A63F 3/00
							273/249
				10,118,086 B2 *	11/2018	Castro	A63F 1/04

* cited by examiner

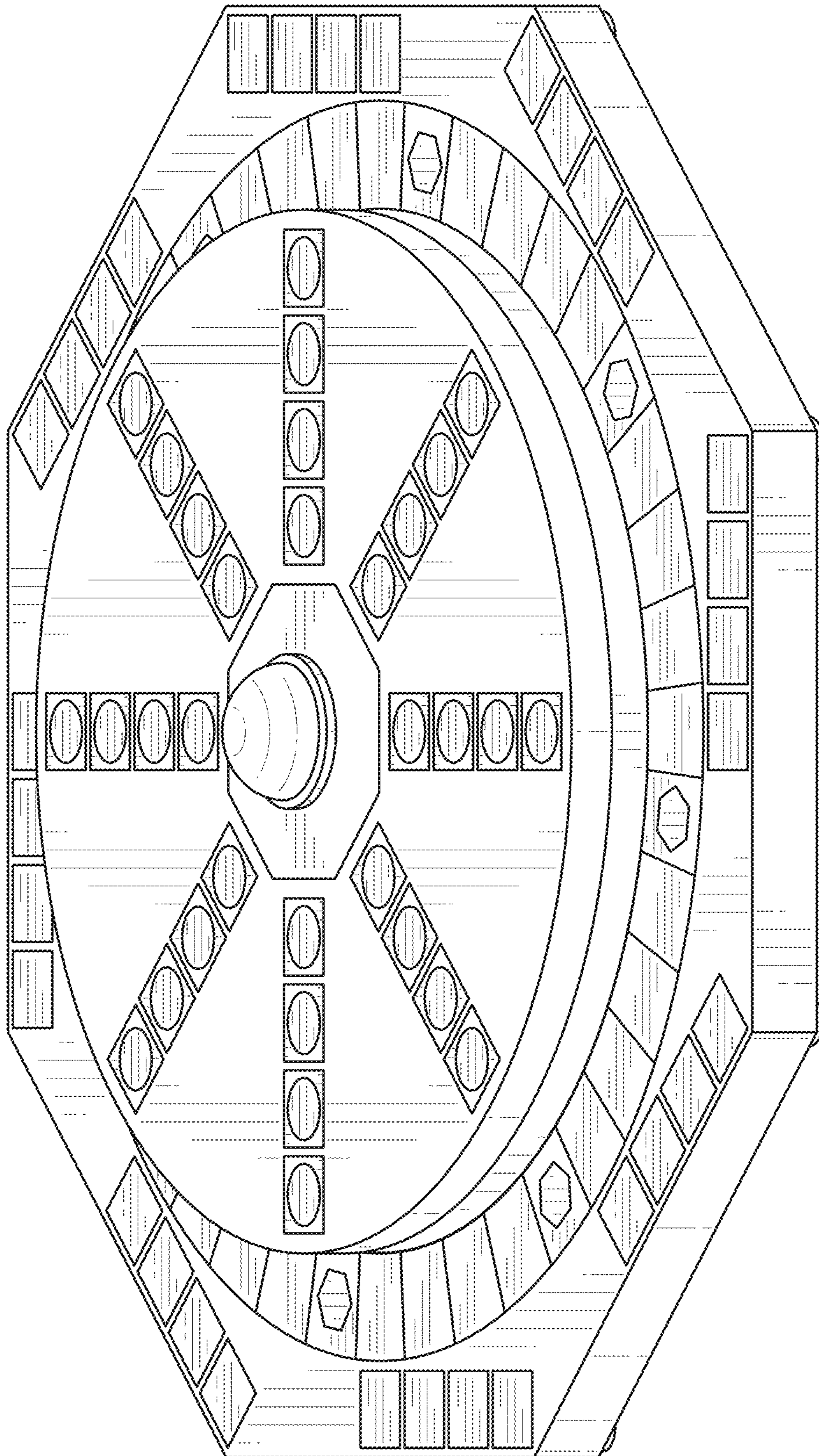


FIG. 1

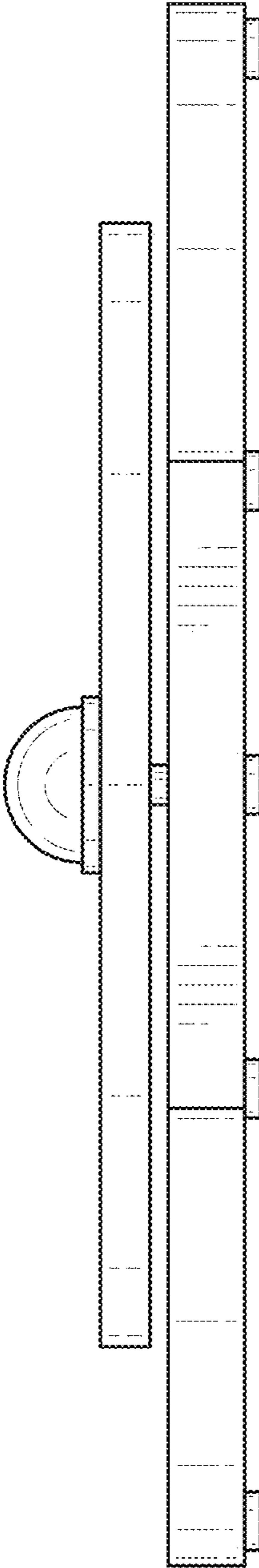


FIG. 2

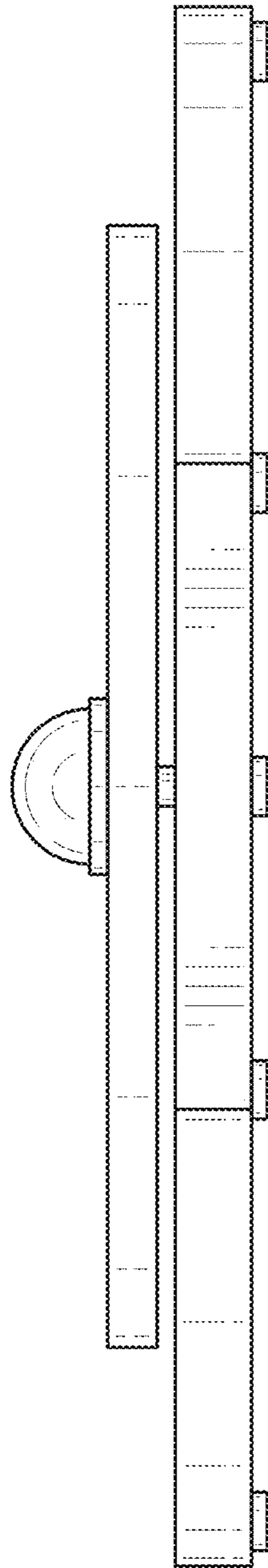


FIG. 3

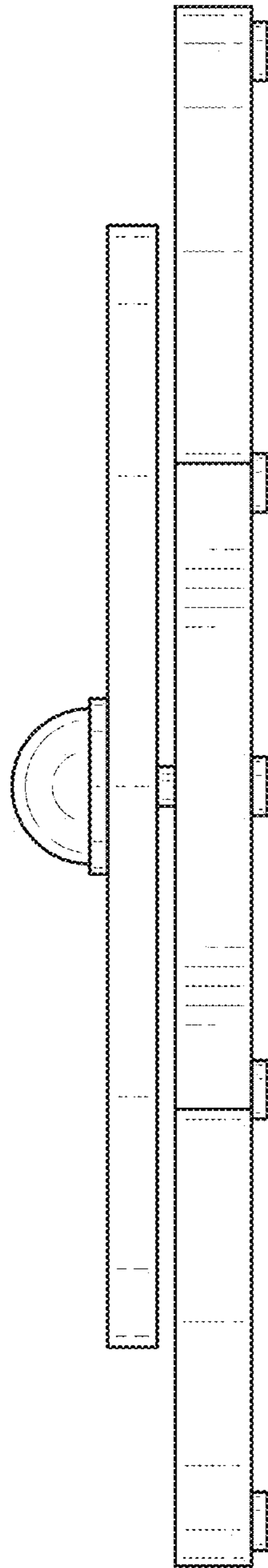


FIG. 4

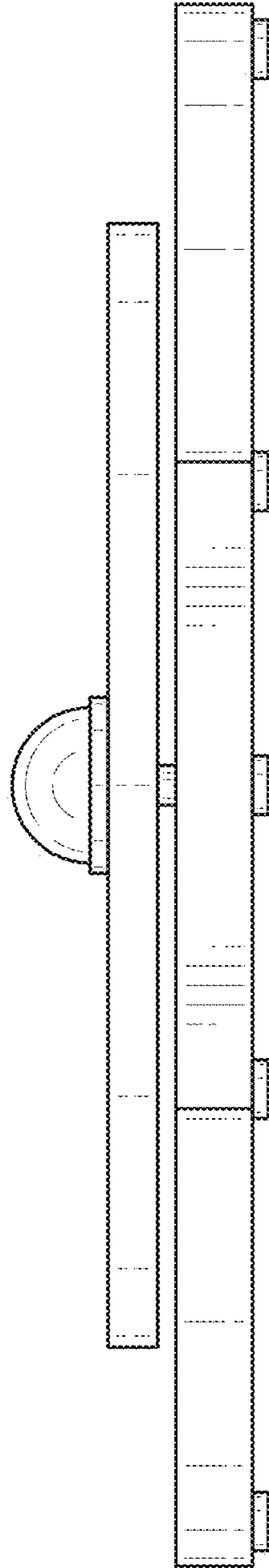


FIG. 5

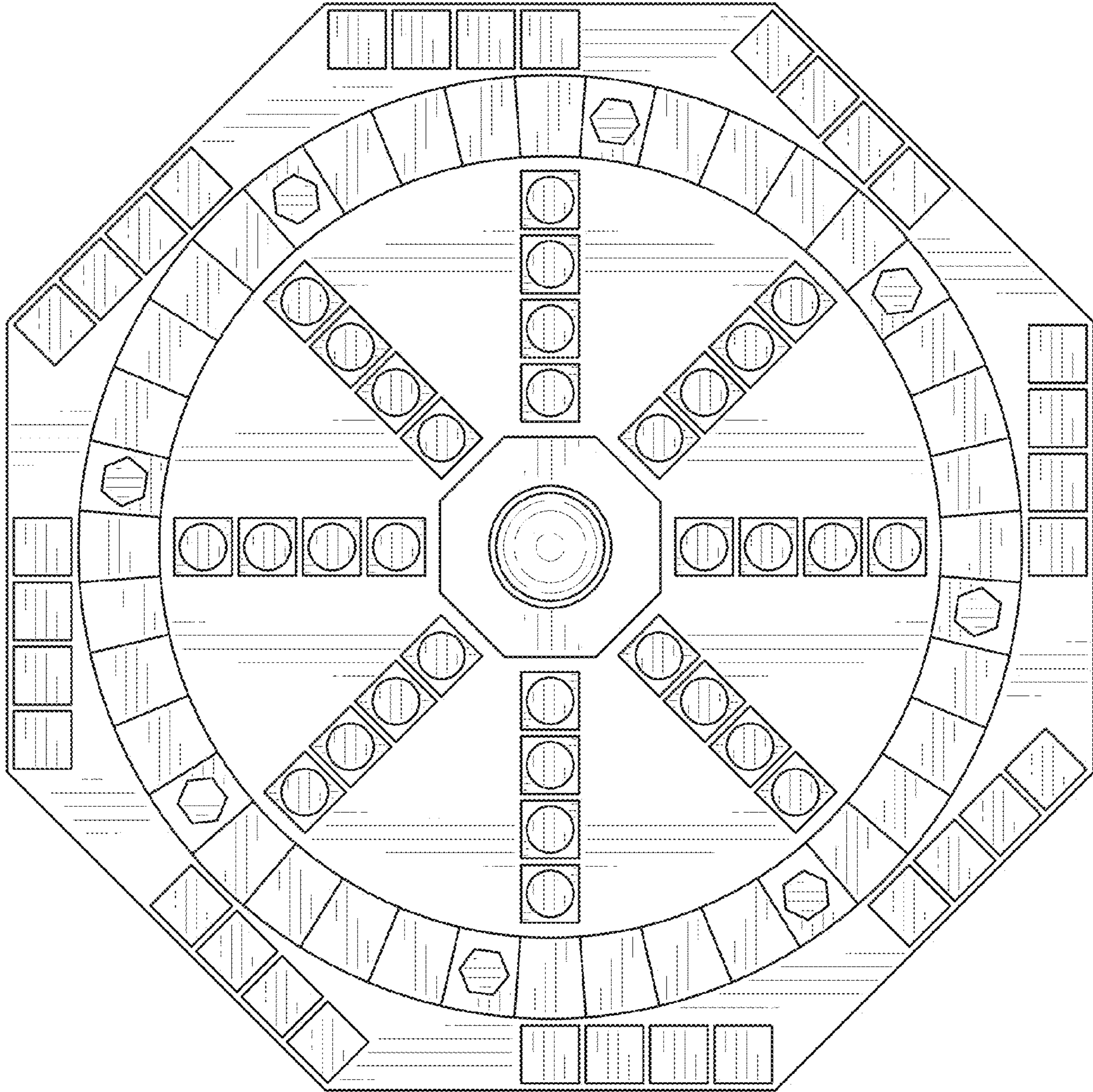


FIG. 6

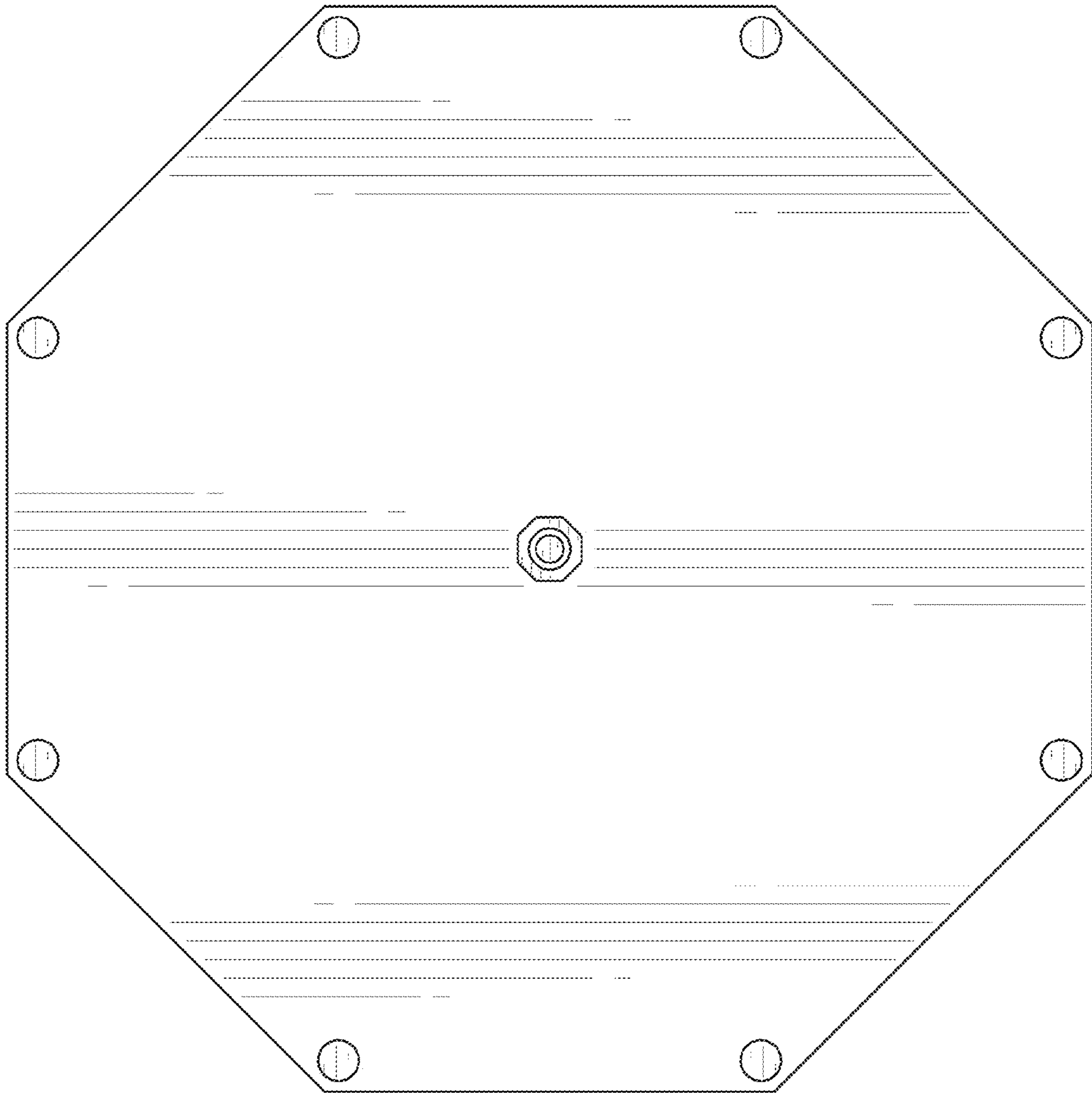


FIG. 7