



US00D952746S

(12) **United States Design Patent** (10) **Patent No.:** **US D952,746 S**
Wang (45) **Date of Patent:** **** May 24, 2022**

(54) **REMOTE CONTROL**
(71) Applicant: **E. MISHAN & SONS, INC.**, New York, NY (US)
(72) Inventor: **Lixiong Wang**, Shantou (CN)
(73) Assignee: **E. MISHAN & SONS, INC.**, New York, NY (US)
(**) Term: **15 Years**

D780,180 S * 2/2017 Ironmonger D14/401
D798,864 S * 10/2017 Chen D14/401
D806,078 S * 12/2017 Goldman D14/401
D863,447 S * 10/2019 Tsuchiya D21/333
D868,898 S * 12/2019 Fei D21/333
D870,817 S * 12/2019 Yeung D21/333
D871,505 S * 12/2019 Wang D21/333
D875,179 S * 2/2020 Wang D21/333
D876,551 S * 2/2020 Tsai D21/333
D878,475 S * 3/2020 Jetter D21/333
D881,281 S * 4/2020 Tong D21/333
D882,690 S * 4/2020 Tsuchiya D21/333
D882,691 S * 4/2020 Tsuchiya D21/333

(Continued)

(21) Appl. No.: **29/703,460**

(22) Filed: **Aug. 27, 2019**

(30) **Foreign Application Priority Data**

Apr. 22, 2019 (CN) 201930187044.3

(51) **LOC (13) Cl.** **21-01**

(52) **U.S. Cl.**
USPC **D21/333**

(58) **Field of Classification Search**

USPC D21/324–329, 333; D14/174, 177, 190,
D14/137, 138, 168, 217, 218, 356, 387,
D14/388, 389, 399–401, 412–416, 443,
D14/449, 450, 454, 471, 474, 483, 496,
D14/511; D13/164–168; D18/19;
D12/174, 177, 190, 218

CPC . A63F 13/24; A63F 9/00; A63F 11/00; H04N
21/00; H04N 7/14; G06F 1/1666; G06F
17/00; G06F 19/00; C09J 7/38

See application file for complete search history.

(56) **References Cited**

U.S. PATENT DOCUMENTS

D712,408 S * 9/2014 Sumii D14/401
D715,296 S * 10/2014 Huang D14/401
D717,876 S * 11/2014 Sumii D21/333
D718,818 S * 12/2014 Sumii D21/333
D750,082 S * 2/2016 Mar D14/401
D768,786 S * 10/2016 Seflic D21/333

OTHER PUBLICATIONS

Spin Master Ltd., “Air Hogs R/C Zero Gravity Real Rides Instruction Guide”, 2009, Toronto, Canada.

Primary Examiner — Mehri F Bajoul

(74) *Attorney, Agent, or Firm* — Notaro, Michalos & Zaccaria P.C.

(57) **CLAIM**

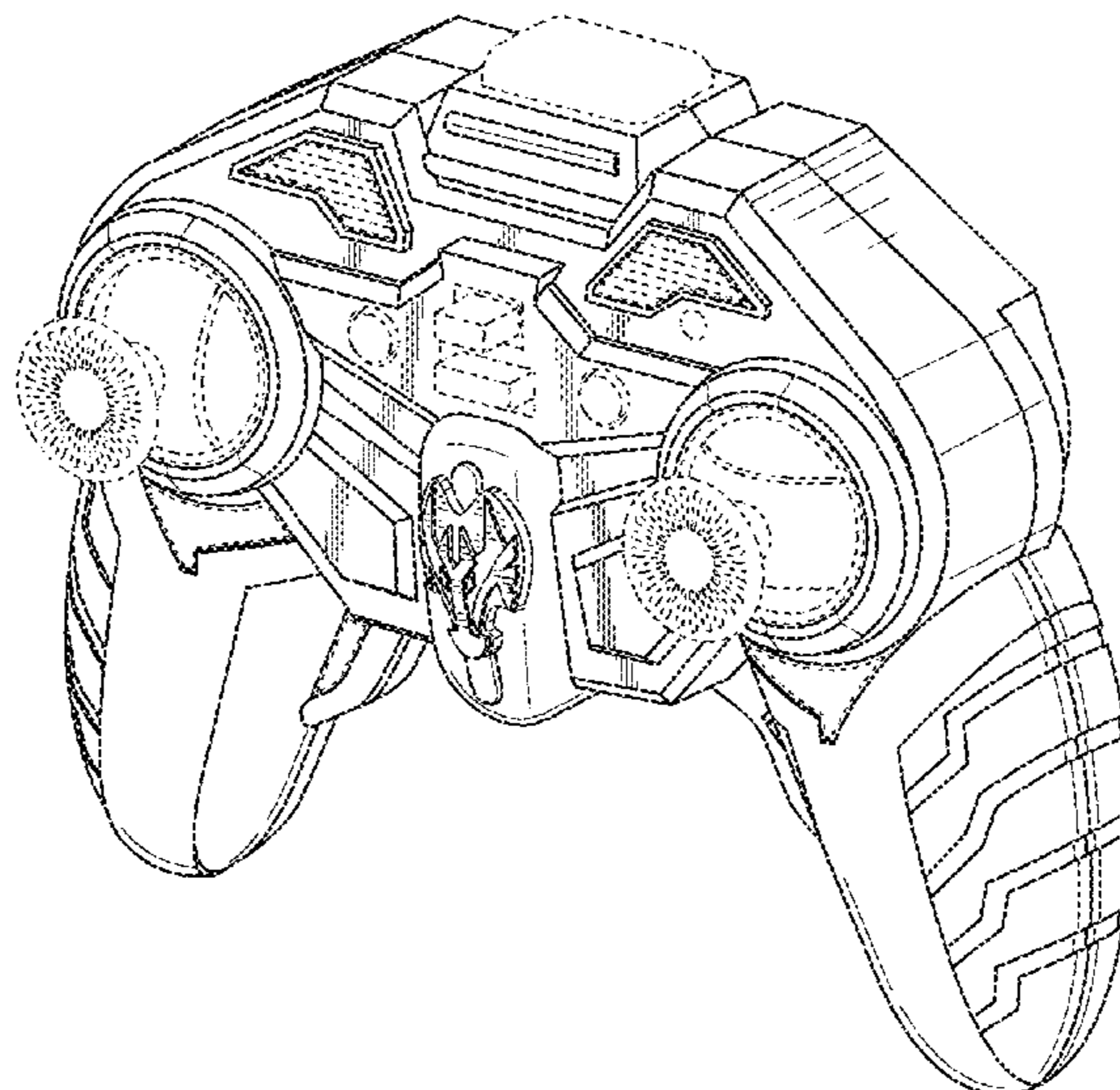
The ornamental design for a remote control, as shown and described.

DESCRIPTION

FIG. 1 is a top, front, right perspective view of a remote control showing my new design therefor; FIG. 2 is a front elevational view thereof; FIG. 3 is a rear elevational view thereof; FIG. 4 is a right side elevational view thereof; FIG. 5 is a left side elevational view thereof; FIG. 6 is a top plan view thereof; and, FIG. 7 is a bottom plan view thereof.

The long-short-short dashed lines depict portions of the remote control that form no part of the claimed design. The even dash-dash broken lines depict the boundary lines and form no part of the claim.

1 Claim, 7 Drawing Sheets



(56)

References Cited

U.S. PATENT DOCUMENTS

D882,692 S *	4/2020	Tsuchiya	D21/333
D887,411 S *	6/2020	Li	D14/401
D890,263 S *	7/2020	Tong	D21/333
D894,281 S *	8/2020	Wang	D21/333

* cited by examiner

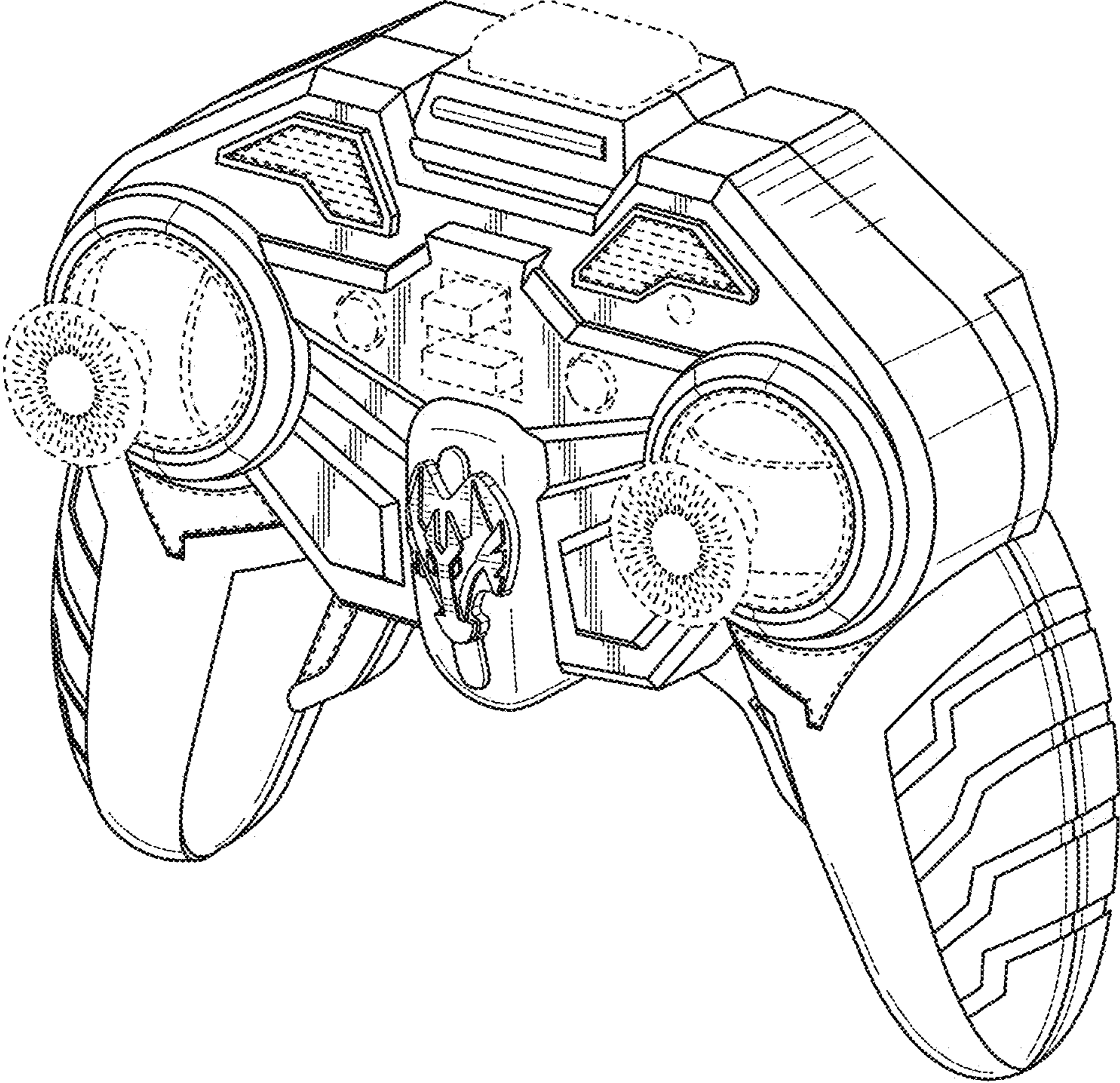


FIG. 1

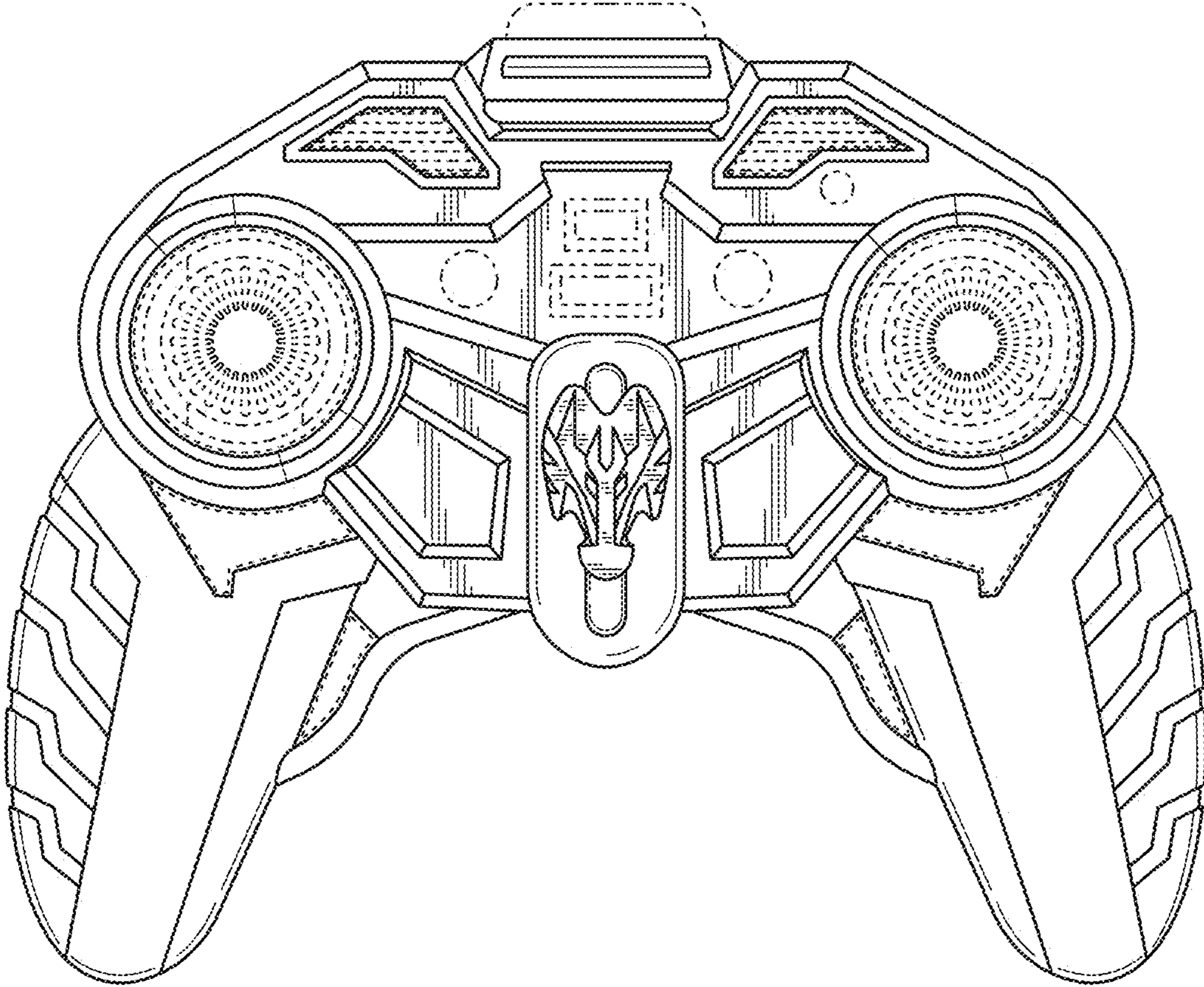


FIG. 2

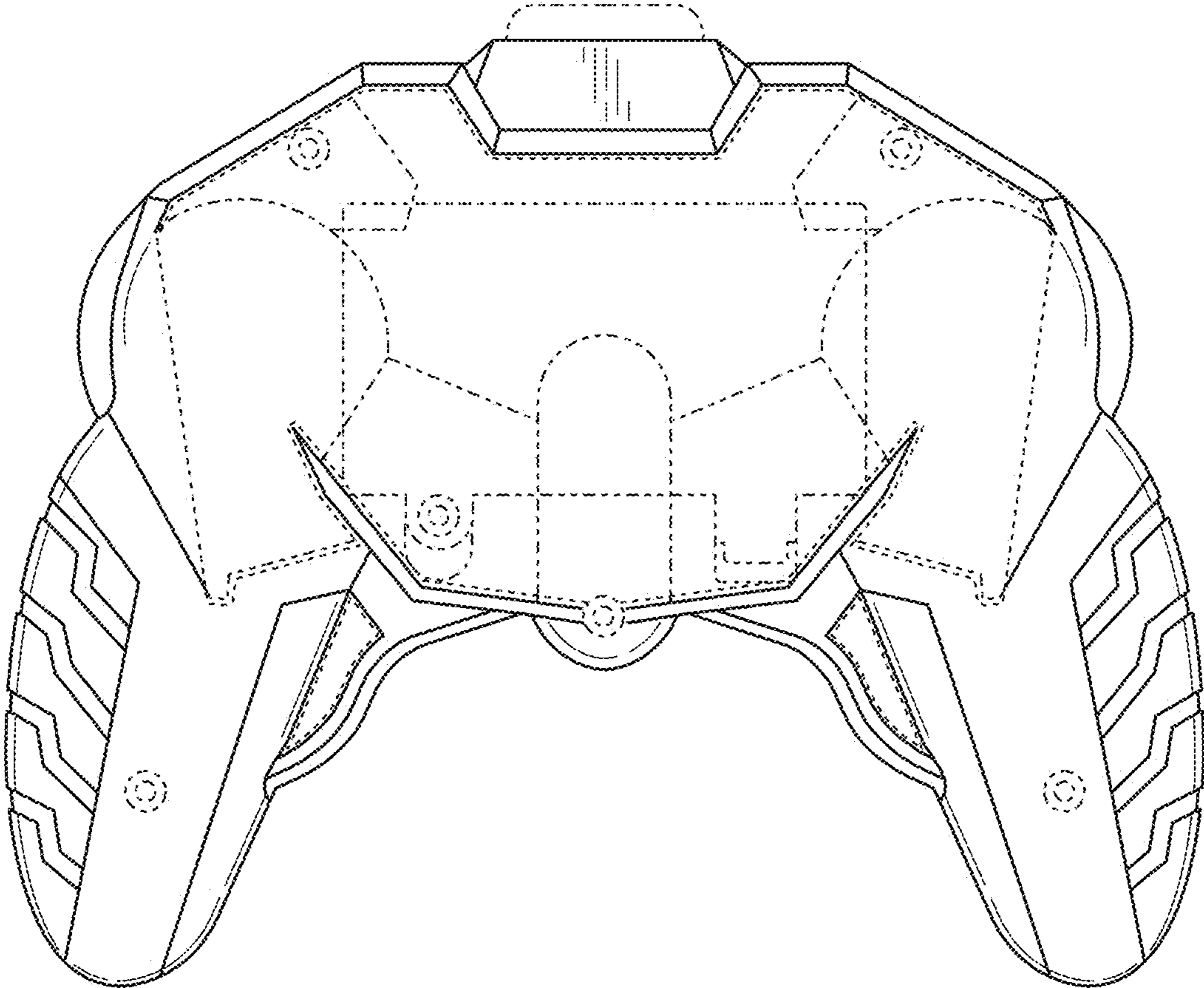


FIG. 3

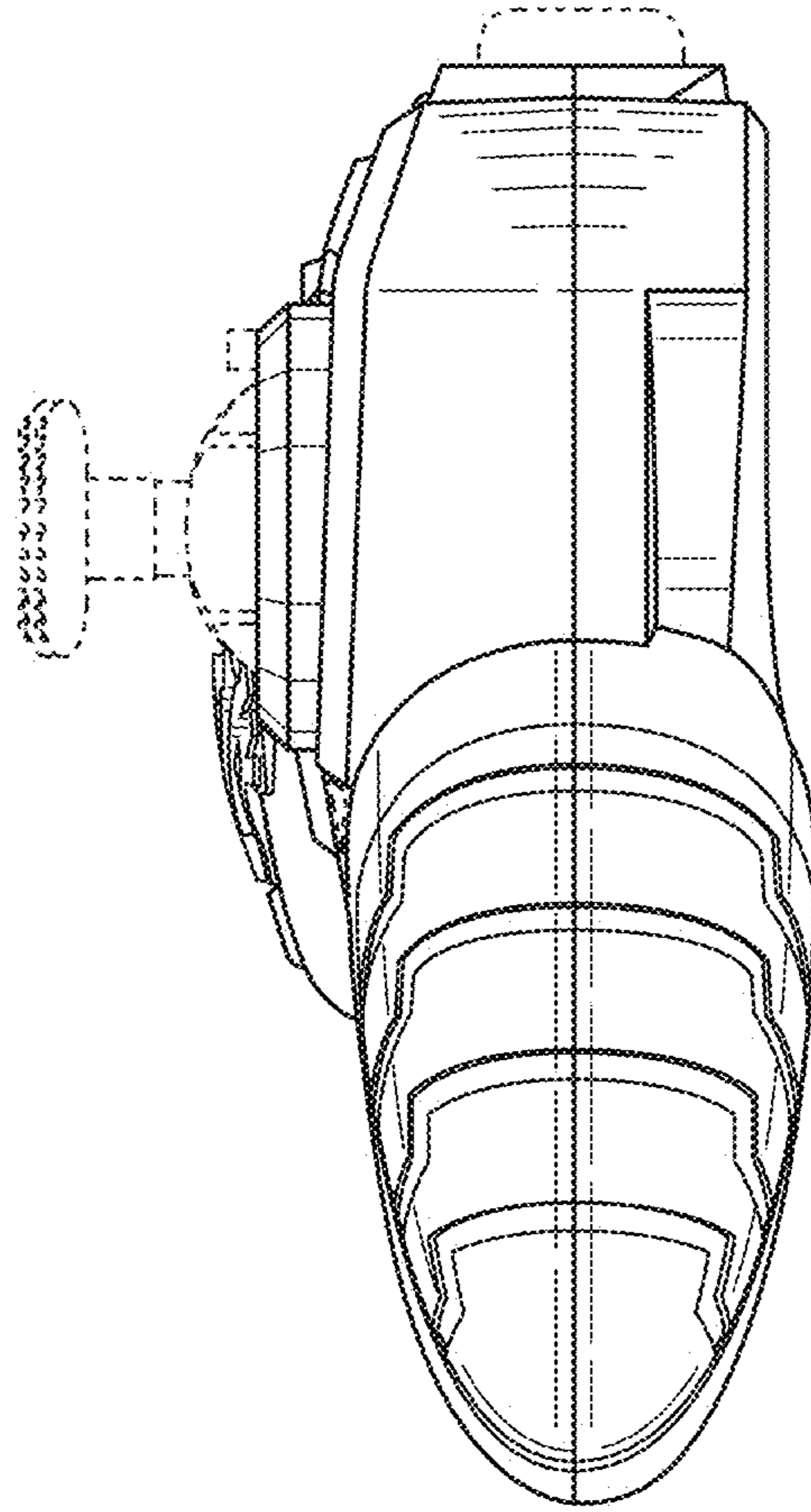


FIG. 4

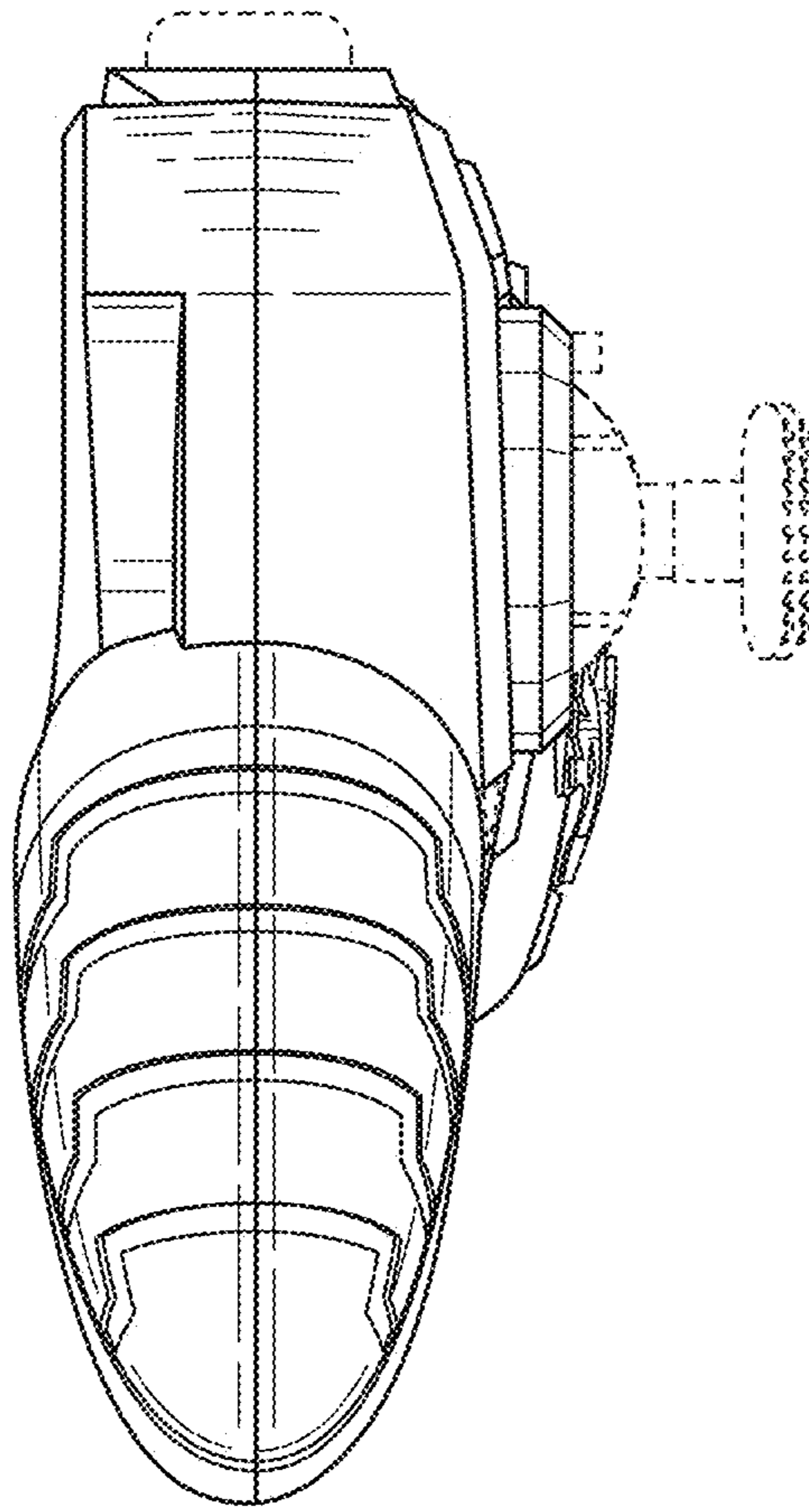


FIG. 5

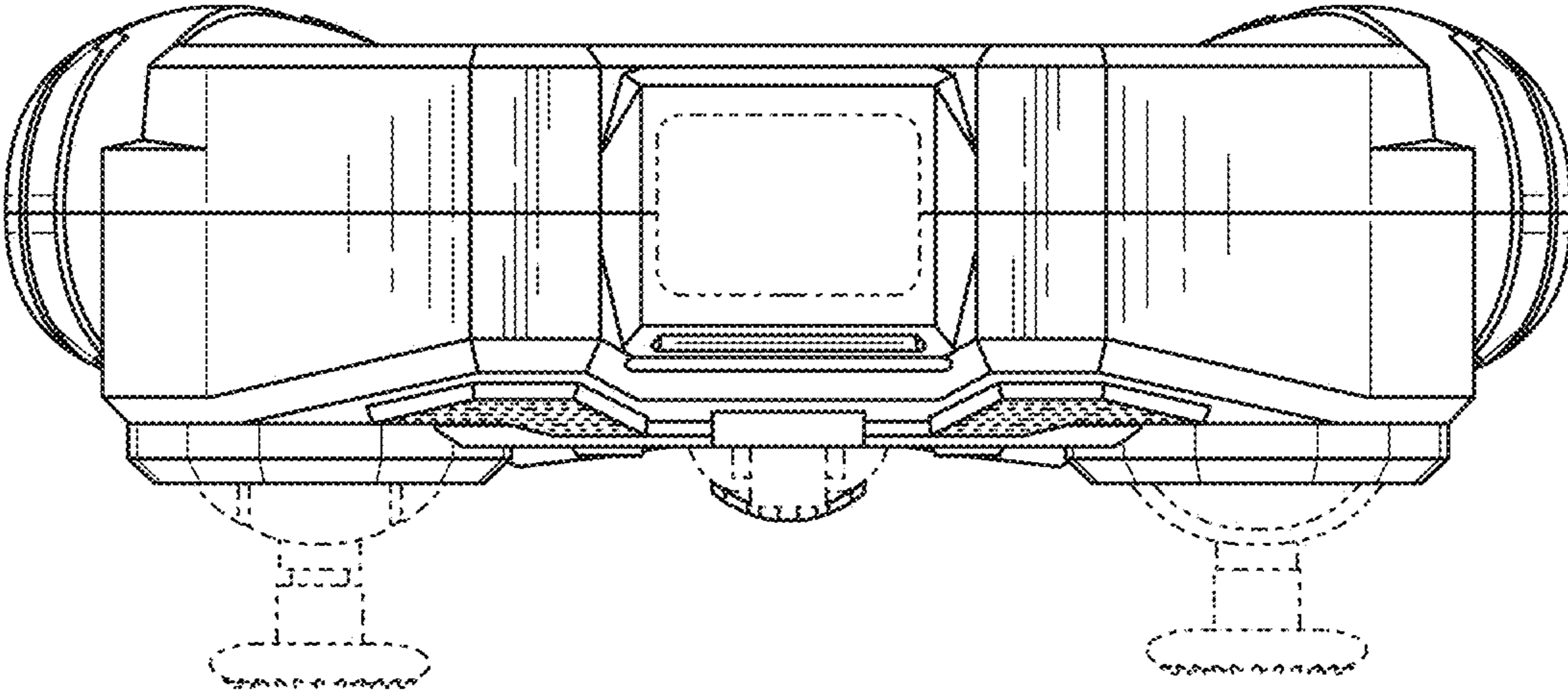


FIG. 6

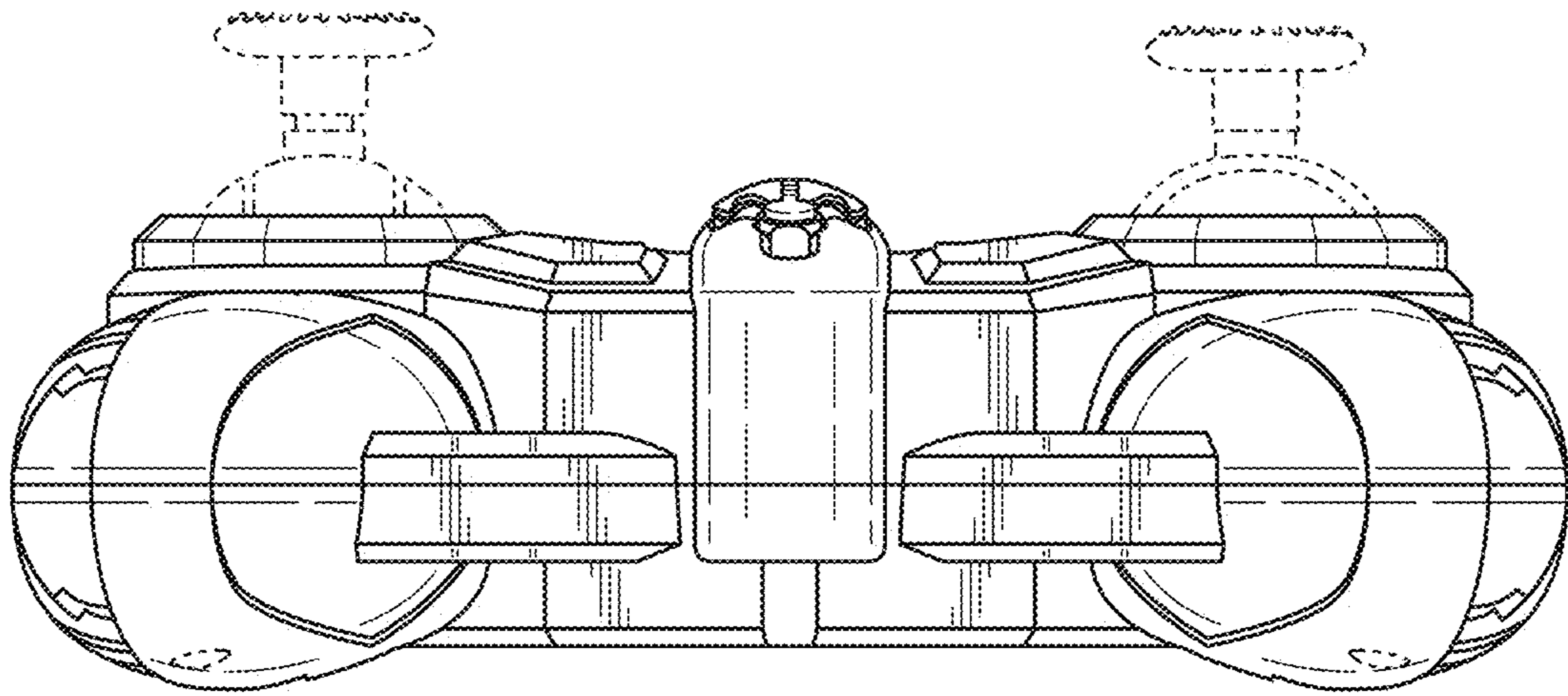


FIG. 7