



US00D952734S

(12) **United States Design Patent**
Marcus

(10) **Patent No.:** **US D952,734 S**
(45) **Date of Patent:** **** May 24, 2022**

(54) **GUITAR STRAP WITH TORTOISESHELL TRI-GLIDE ADJUSTER**

DESCRIPTION

- (71) Applicant: **Brett Marcus**, Athens, GA (US)
- (72) Inventor: **Brett Marcus**, Athens, GA (US)
- (73) Assignee: **BMG Works, LLC**, Sheridan, IN (US)
- (**) Term: **15 Years**
- (21) Appl. No.: **29/684,513**
- (22) Filed: **Mar. 21, 2019**
- (51) **LOC (13) Cl.** **17-03**
- (52) **U.S. Cl.**
USPC **D17/20**
- (58) **Field of Classification Search**
USPC D17/20, 99; D3/287, 327
(Continued)

(56) **References Cited**

U.S. PATENT DOCUMENTS

- D249,386 S * 9/1978 Zacuto 224/258
 - D409,648 S 5/1999 Gettings
- (Continued)

FOREIGN PATENT DOCUMENTS

- WO WO-2019088018 A1 * 5/2019 G10D 1/08

OTHER PUBLICATIONS

- Modalite.net. <https://www.modalite.net/us/women/zara/buckles/tortoiseshell-buckle-belt/2116732/>. "Tortoiseshell Buckle Belt". Date Unknown: Viewed Aug. 2021 (Year: 2021).*
- (Continued)

Primary Examiner — R. Johnson
(74) *Attorney, Agent, or Firm* — William F. Bahret

(57) **CLAIM**

The ornamental design for a guitar strap with tortoiseshell tri-glide adjuster, as shown and described.

The file of this patent contains at least one drawing executed at least partially in color. Copies of this patent with color drawing(s) will be provided by the Office upon request and payment of the necessary fee.

FIG. 1 is a perspective view of a guitar strap with tortoiseshell tri-glide adjuster showing the first embodiment of my new design;

FIG. 2 is a left side view thereof, taken from the upper left side of the guitar strap shown in FIG. 1;

FIG. 3 is a rear view thereof;

FIG. 4 is a cross-sectional view taken along line 4-4 in FIG. 1;

FIG. 5 is a cross-sectional view taken along line 5-5 in FIG. 1;

FIG. 6 is a left side view of a guitar strap with tortoiseshell tri-glide adjuster showing the second embodiment of my new design, taken from the left side of the guitar strap as shown in FIG. 7;

FIG. 7 is a front view thereof;

FIG. 8 is a right side view thereof;

FIG. 9 is a rear view thereof;

FIG. 10 is a cross-sectional view taken along line 10-10 in FIG. 7;

FIG. 11 is a cross-sectional view taken along line 11-11 in FIG. 7;

FIG. 12 is a front elevation view of a guitar strap with tortoiseshell tri-glide adjuster showing the third embodiment of my new design;

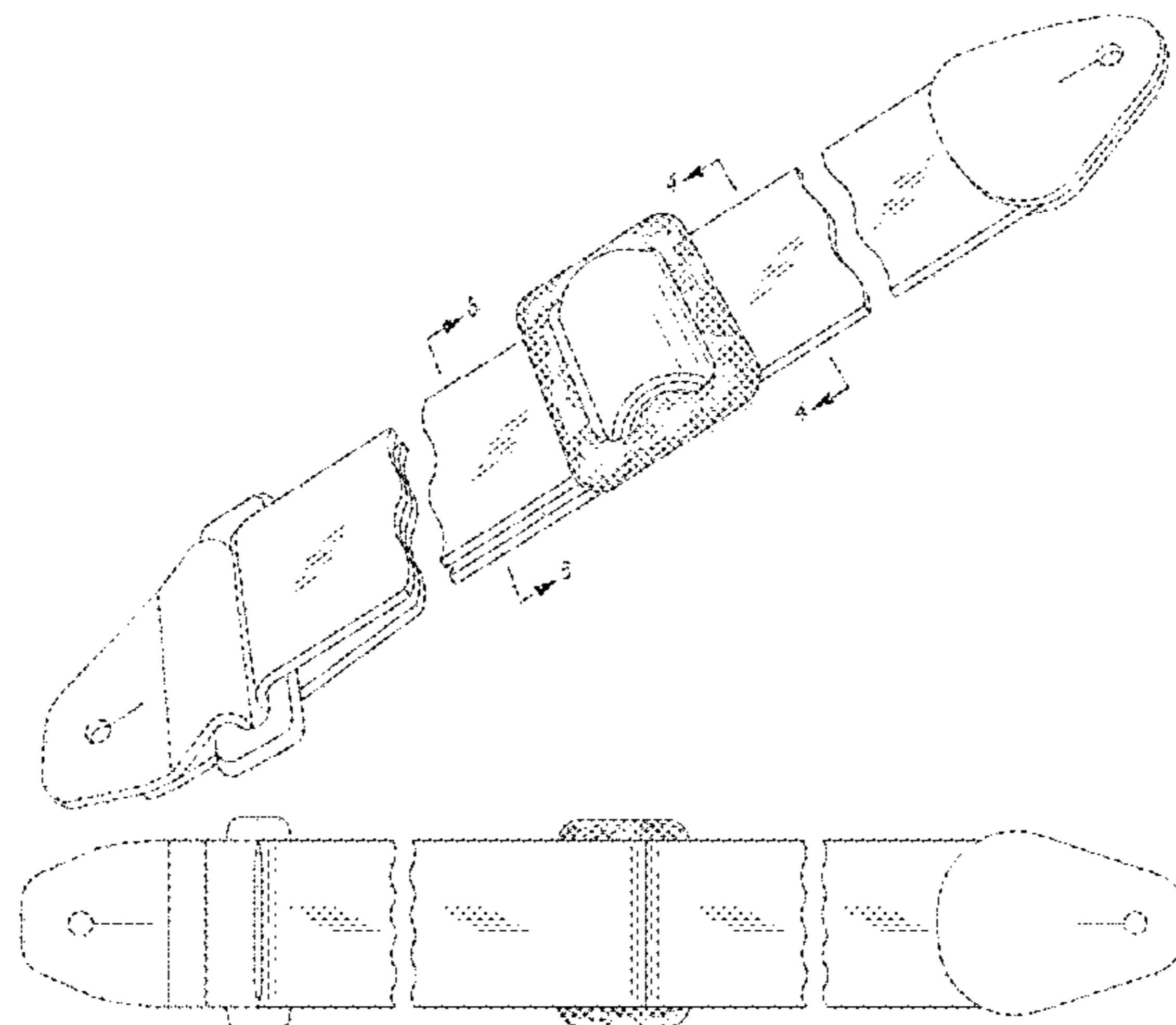
FIG. 13 is a rear elevation view thereof;

FIG. 14 is a front elevation view of a guitar strap with tortoiseshell tri-glide adjuster showing the fourth embodiment of my new design; and,

FIG. 15 is a rear elevation view thereof.

Varying stipple densities are used on the surface of the tri-glide adjuster in FIGS. 1-5 to indicate surfaces with contrasting colors. In Embodiments 3 and 4, the left and right side views are the same as those shown in FIGS. 6 and 8 except for the shade and color pattern of the tortoiseshell tri-glide adjuster. In Embodiments 1-4, the guitar strap is shown with broken-away symbols to indicate an indeterminate length. The appearance of any portion of the article between the break lines forms no part of the claimed design.

(Continued)



The end features of the guitar strap are shown in broken lines to represent the portions of the design that form no part of the claim.

**1 Claim, 6 Drawing Sheets
(4 of 6 Drawing Sheet(s) Filed in Color)**

(58) **Field of Classification Search**

CPC G10G 5/005
See application file for complete search history.

(56) **References Cited**

U.S. PATENT DOCUMENTS

D415,785 S 10/1999 Gettings
D462,710 S * 9/2002 Babcock D17/20
D479,554 S 9/2003 Boron et al.

D513,034 S 12/2005 Boron et al.
D560,710 S 1/2008 Parikh
D673,998 S * 1/2013 Wells D17/20
D711,963 S 8/2014 Gilmore
D788,840 S * 6/2017 Corcorran D17/20
D790,623 S 6/2017 Wang et al.
D794,705 S * 8/2017 Corcorran D17/20
D794,706 S * 8/2017 Corcorran D17/20
D831,105 S * 10/2018 Lucas D17/20
D905,964 S * 12/2020 Zadvinskis D3/327
D909,466 S * 2/2021 Tabor D17/20

OTHER PUBLICATIONS

Sew Essential, "Tortoiseshell Effect Buckle" [online], © 2018 Sew Essential [retrieved May 21, 2019]. Retrieved from the Internet: <https://www.sewessential.co.uk/tortoiseshell-effect-buckle-brown-20mm-strap-width-1-per-pack>, 2 pgs.

* cited by examiner

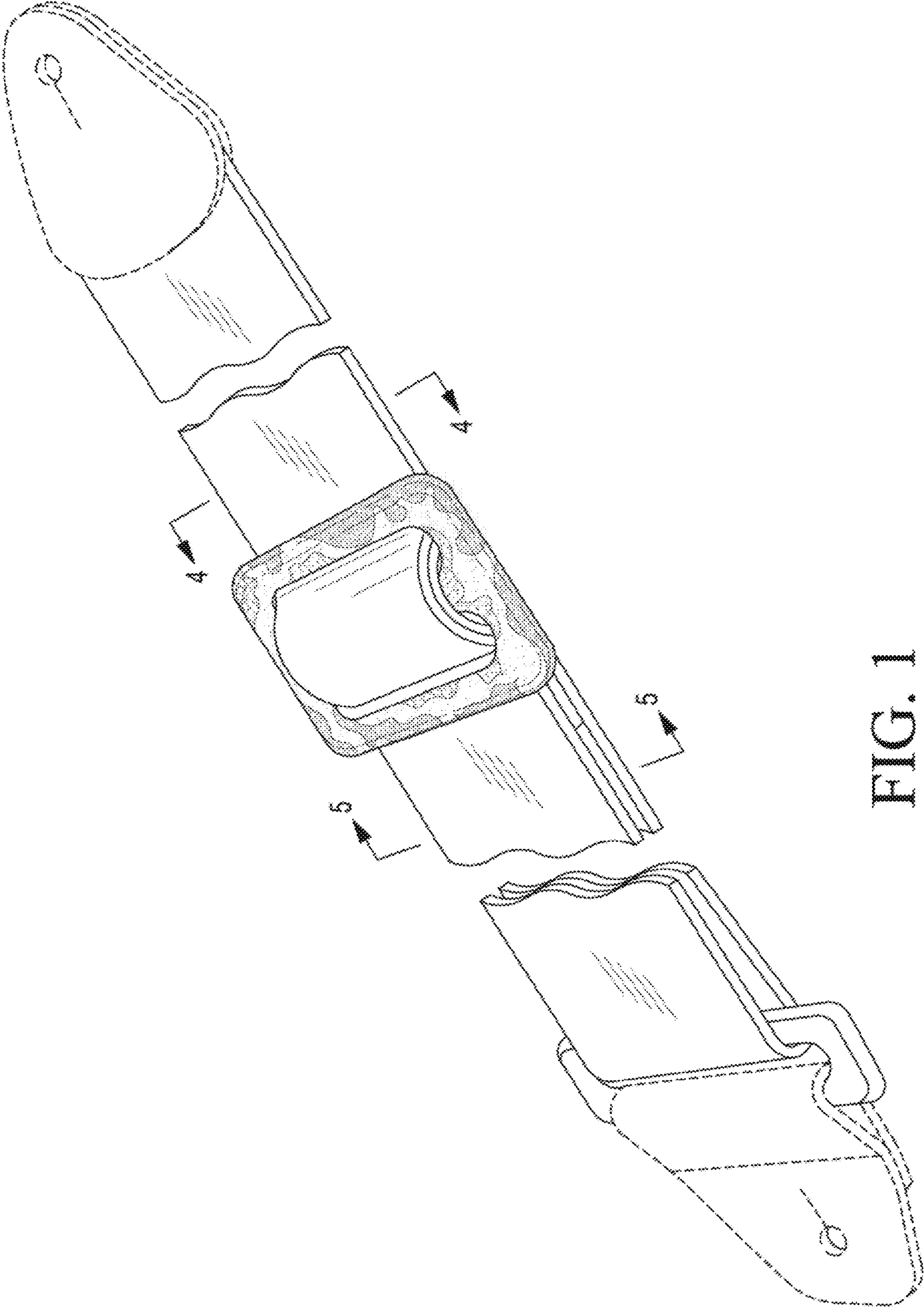


FIG. 1

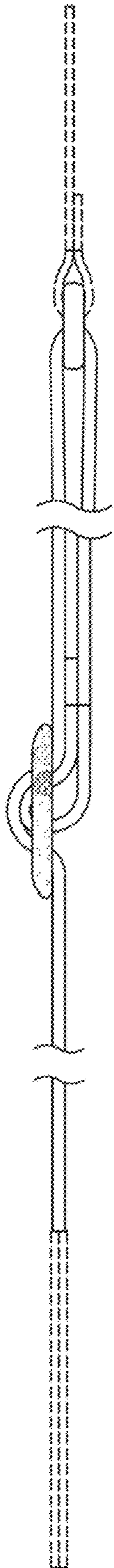


FIG. 2

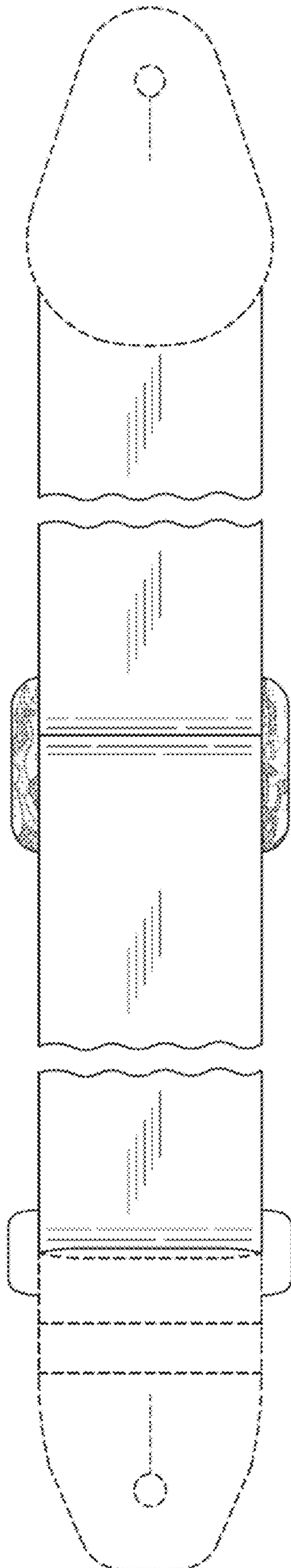


FIG. 3



FIG. 4



FIG. 5

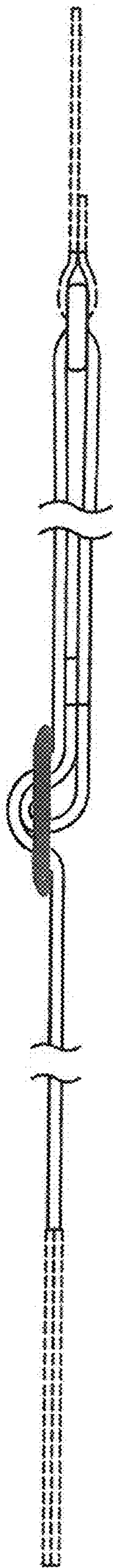


FIG. 6

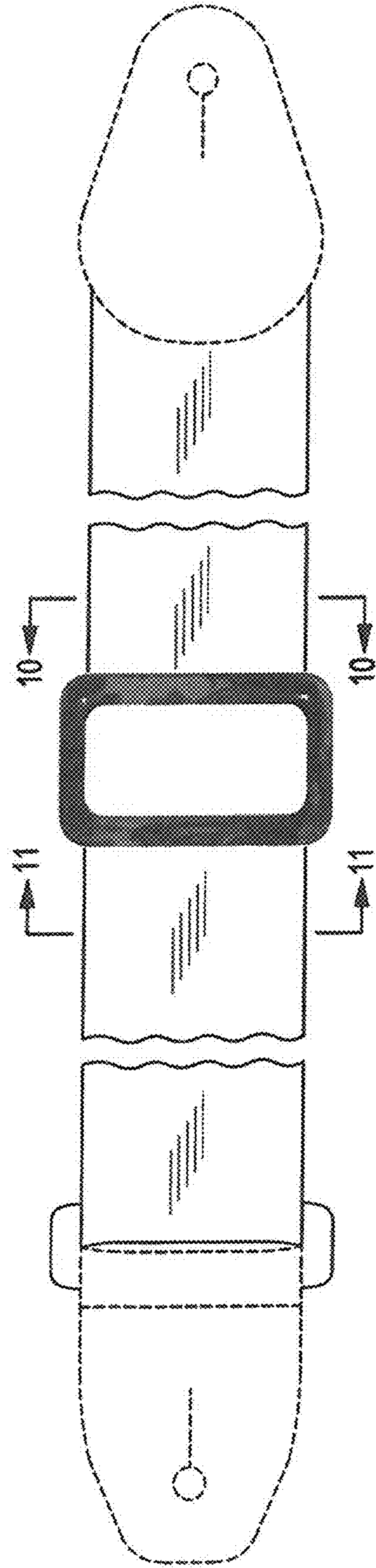


FIG. 7

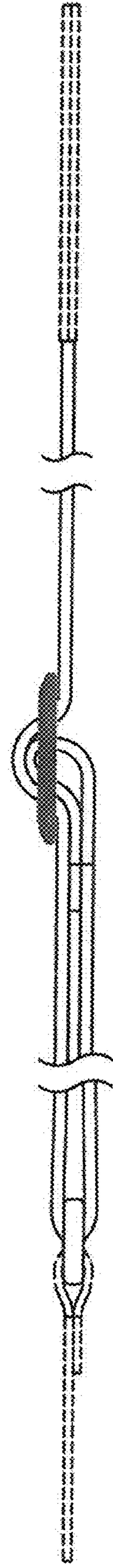


FIG. 8

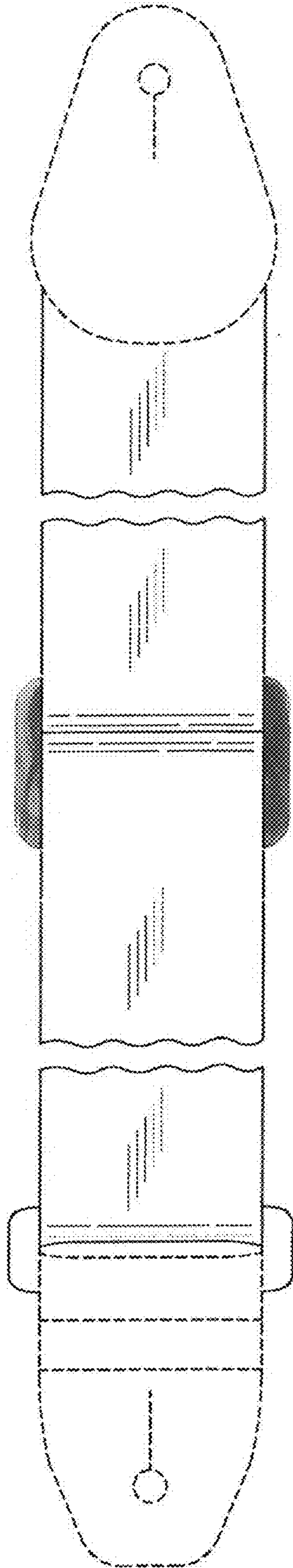


FIG. 9

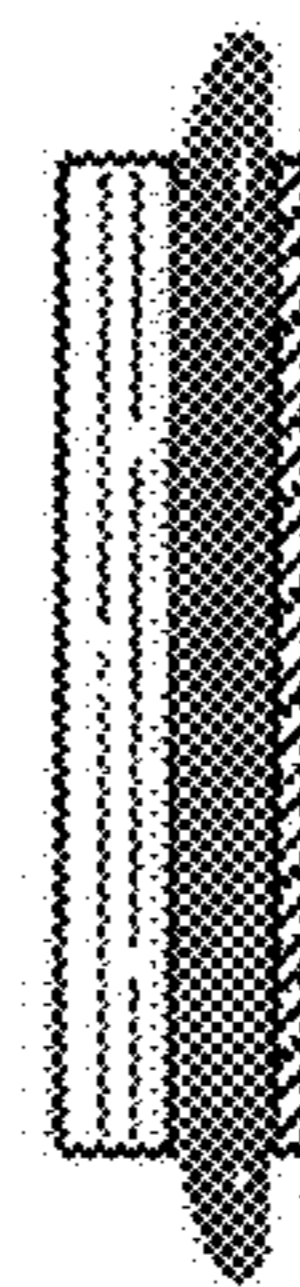


FIG. 10

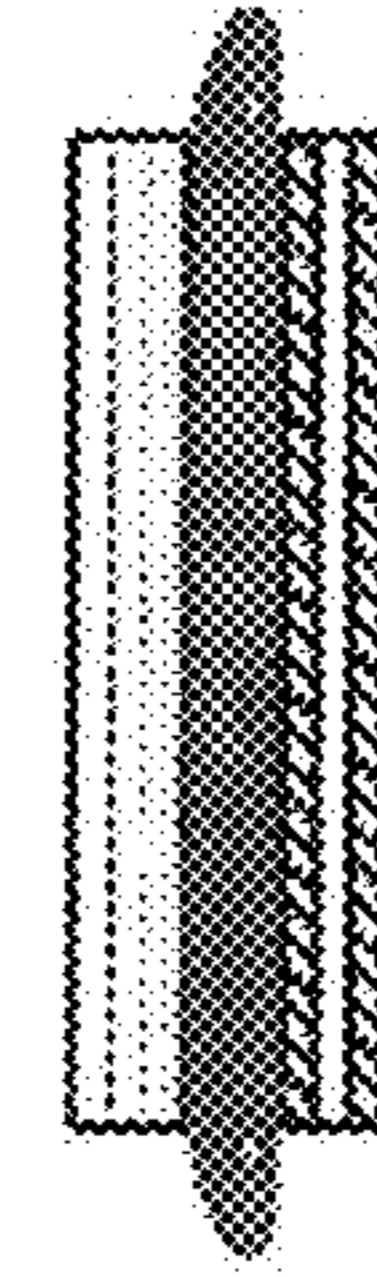


FIG. 11

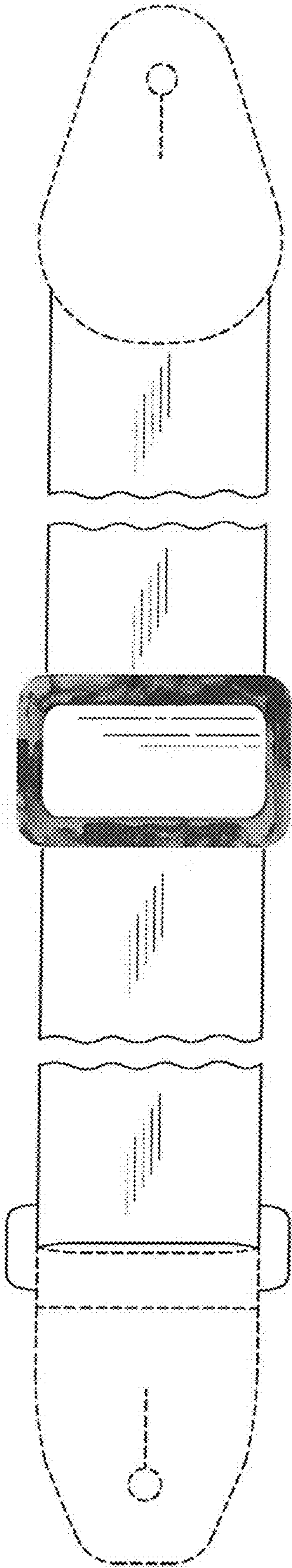


FIG. 12

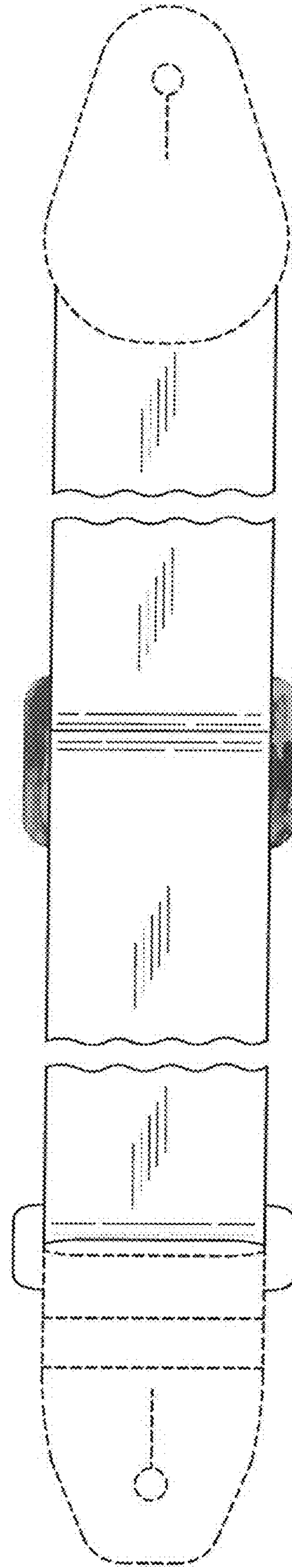


FIG. 13

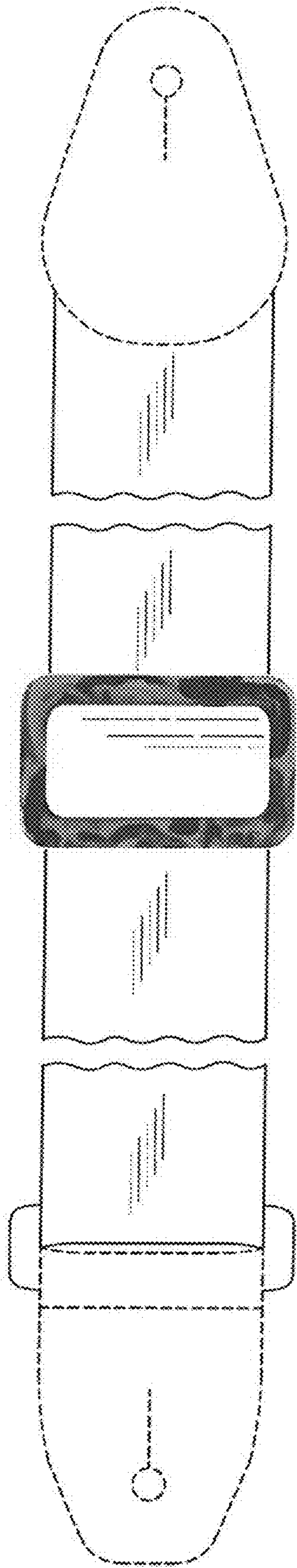


FIG. 14

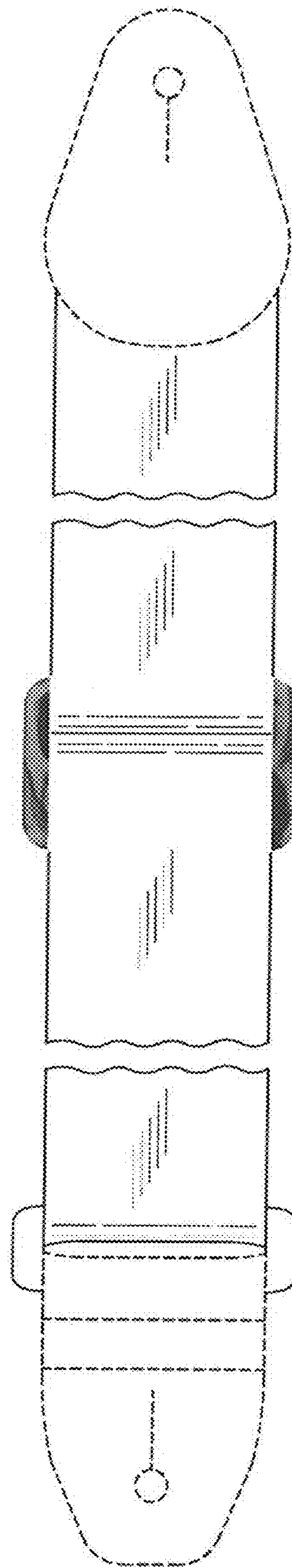


FIG. 15