



US00D952731S

(12) **United States Design Patent**
Lin

(10) **Patent No.:** **US D952,731 S**

(45) **Date of Patent:** **** May 24, 2022**

(54) **PROJECTOR**

(71) Applicant: **Zhifang Lin**, Shenzhen (CN)

(72) Inventor: **Zhifang Lin**, Shenzhen (CN)

(**) Term: **15 Years**

(21) Appl. No.: **29/749,330**

(22) Filed: **Sep. 4, 2020**

(51) **LOC (13) Cl.** **16-02**

(52) **U.S. Cl.**
USPC **D16/230**

(58) **Field of Classification Search**
USPC D16/221, 225, 229-231, 234; D21/514
CPC G03B 21/145; G03B 21/14; G03B 21/16;
G03B 21/00; G03B 21/001; G03B 21/003
See application file for complete search history.

(56) **References Cited**

U.S. PATENT DOCUMENTS

D506,771 S *	6/2005	Ooshima	D16/225
D555,185 S *	11/2007	Nozue	D16/225
8,104,902 B2 *	1/2012	Mao	G03B 21/145 353/119
D850,518 S *	6/2019	Gan	D16/230

D865,033 S *	10/2019	Cheng	D16/230
D866,643 S *	11/2019	Liang	D16/230
D871,489 S *	12/2019	Wan	D16/230
D896,299 S *	9/2020	Ou	D16/230
D939,614 S *	12/2021	Mao	D16/230

* cited by examiner

Primary Examiner — Wan Laymon

(57) **CLAIM**

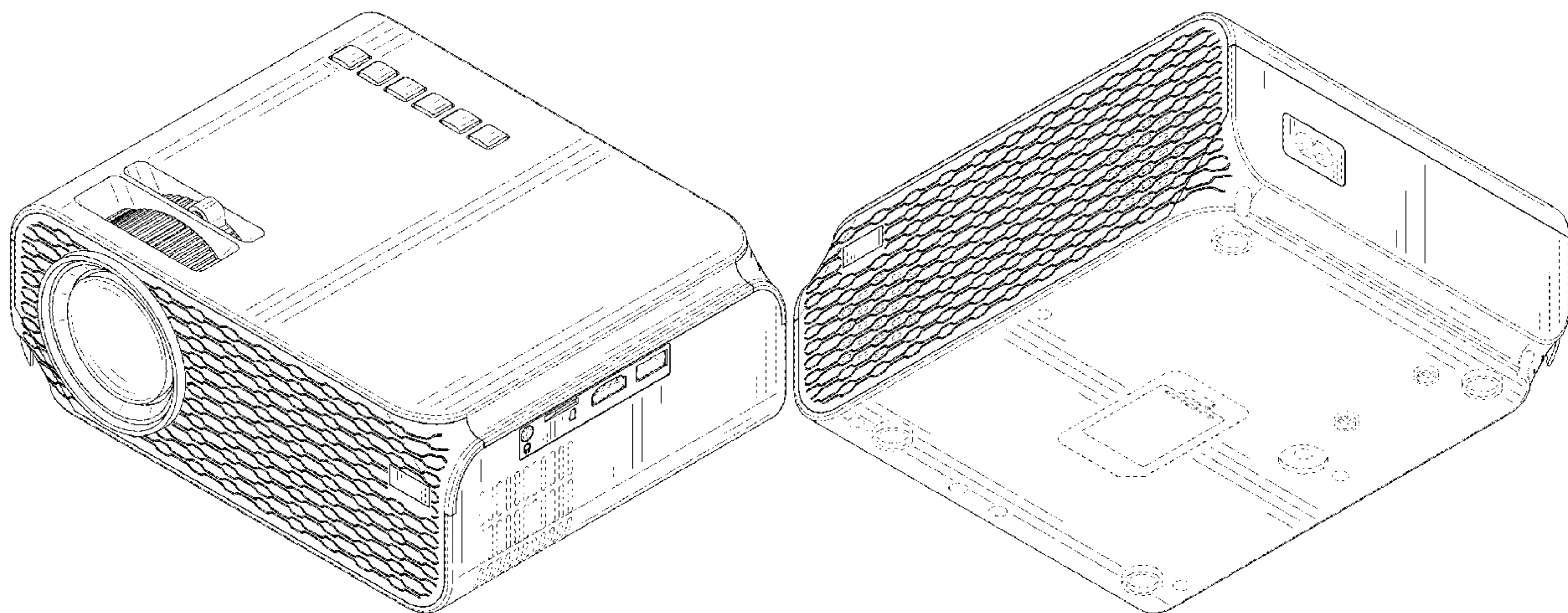
The ornamental design for a projector, as shown and described.

DESCRIPTION

FIG. 1 is a first perspective view of a projector showing my new design;
FIG. 2 is a second perspective view thereof;
FIG. 3 is a front view thereof;
FIG. 4 is a back view thereof;
FIG. 5 is a left side view thereof;
FIG. 6 is a right side view thereof;
FIG. 7 is a top view thereof; and,
FIG. 8 is a bottom view thereof.

The broken lines shown in the drawings depict portions of the projector in which the design is embodied that form no part of the claimed design.

1 Claim, 8 Drawing Sheets



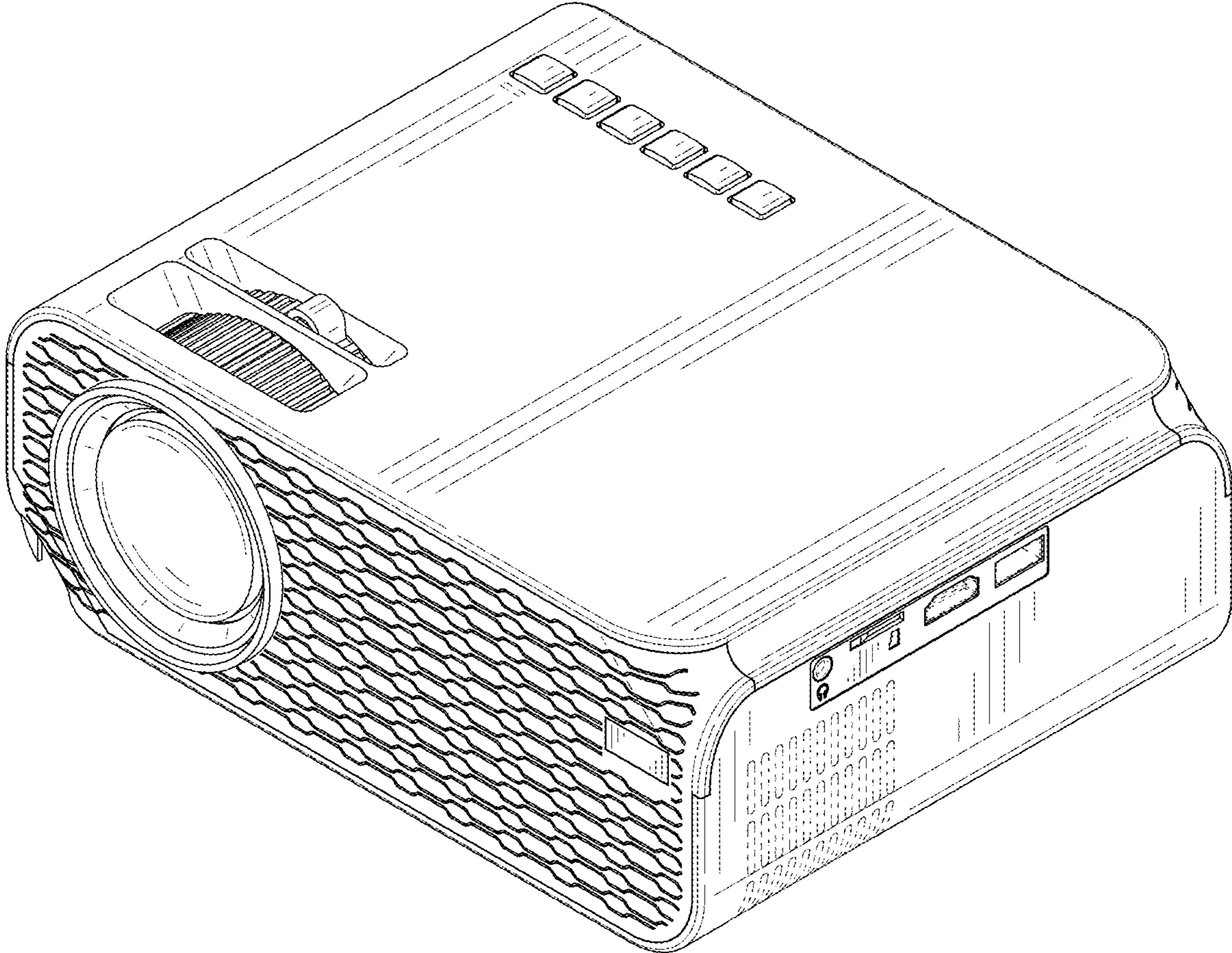


FIG. 1

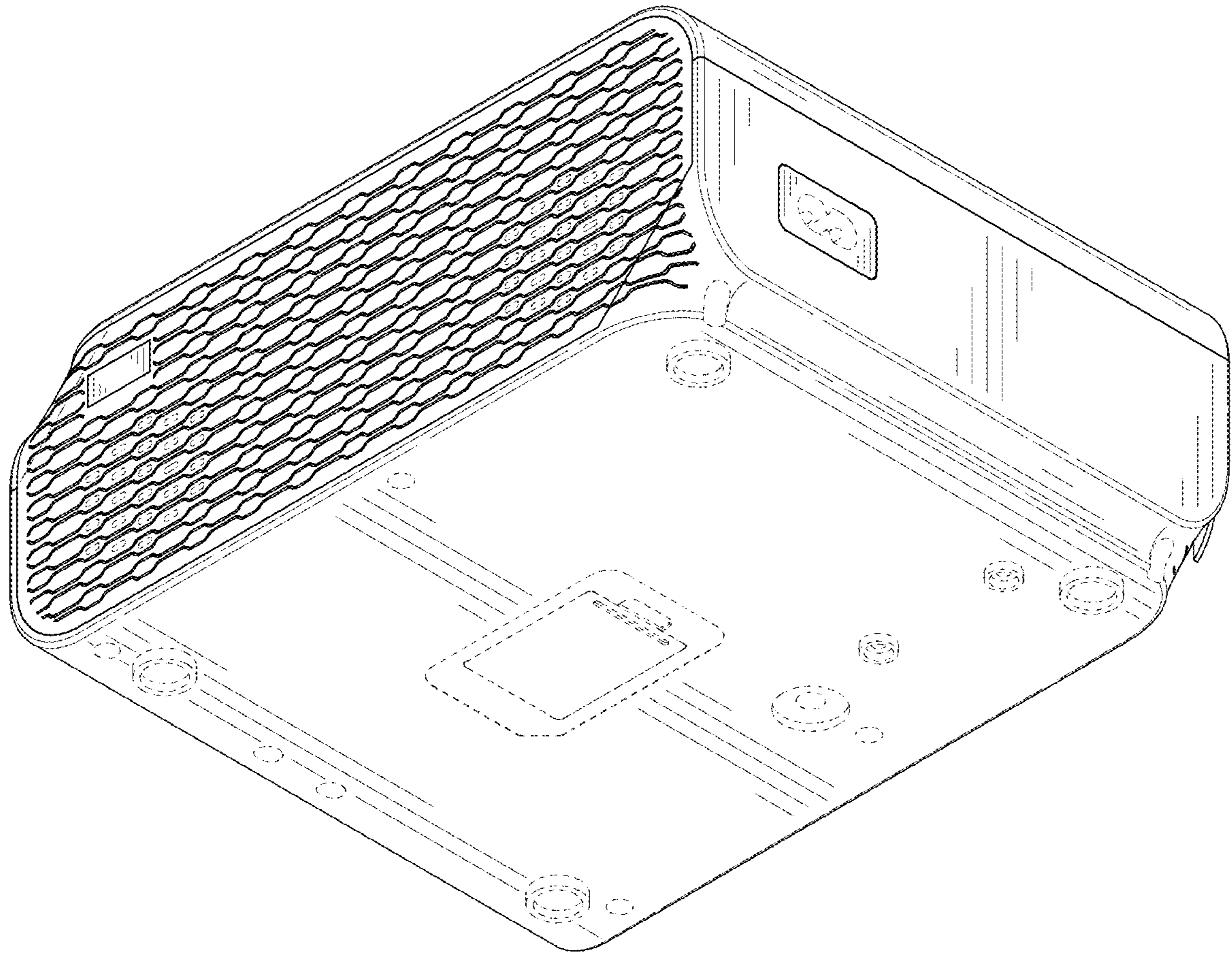


FIG. 2

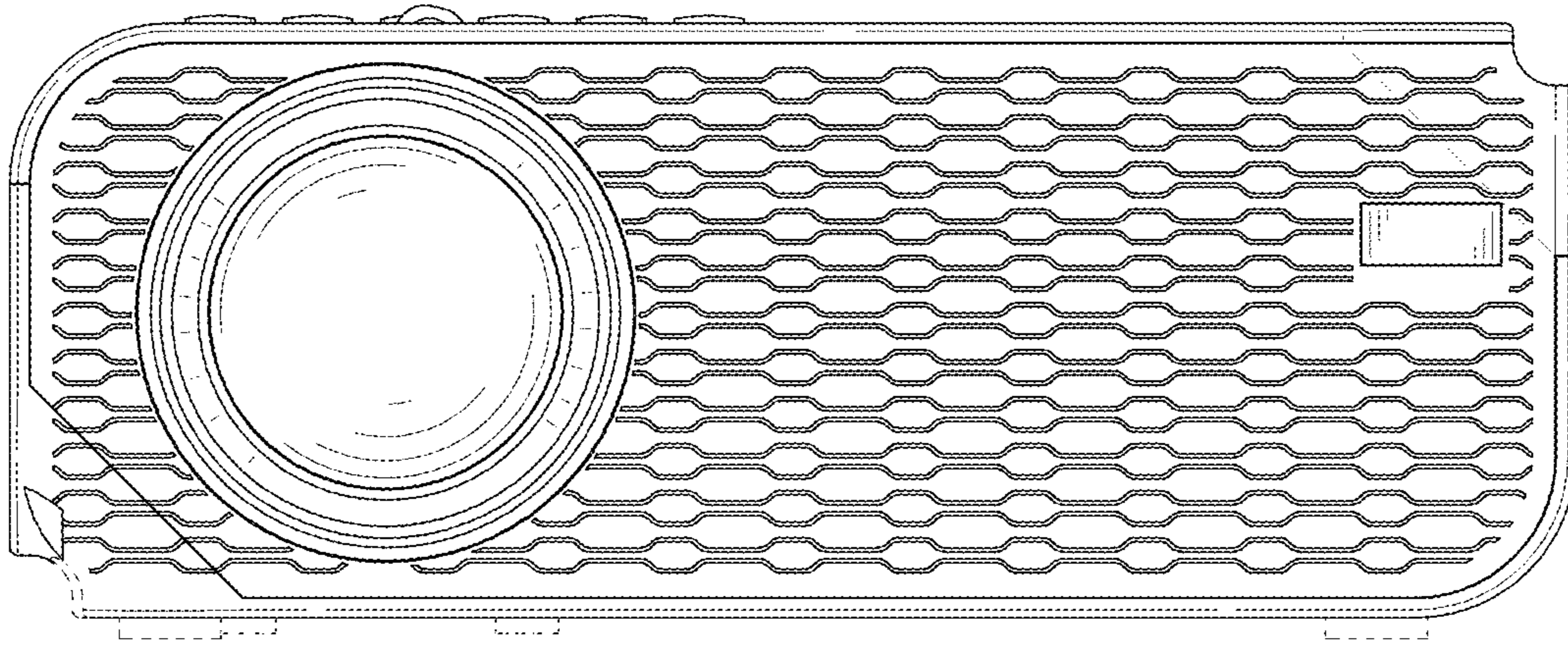


FIG. 3

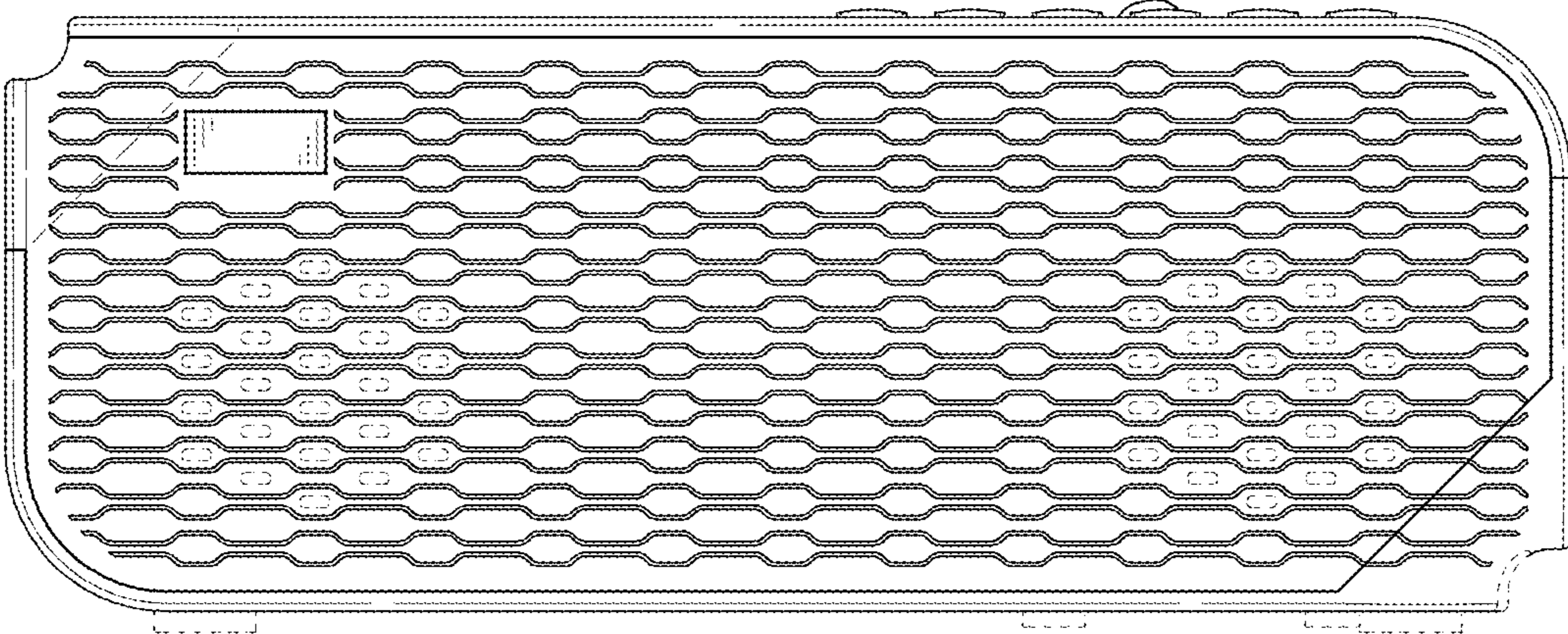


FIG. 4

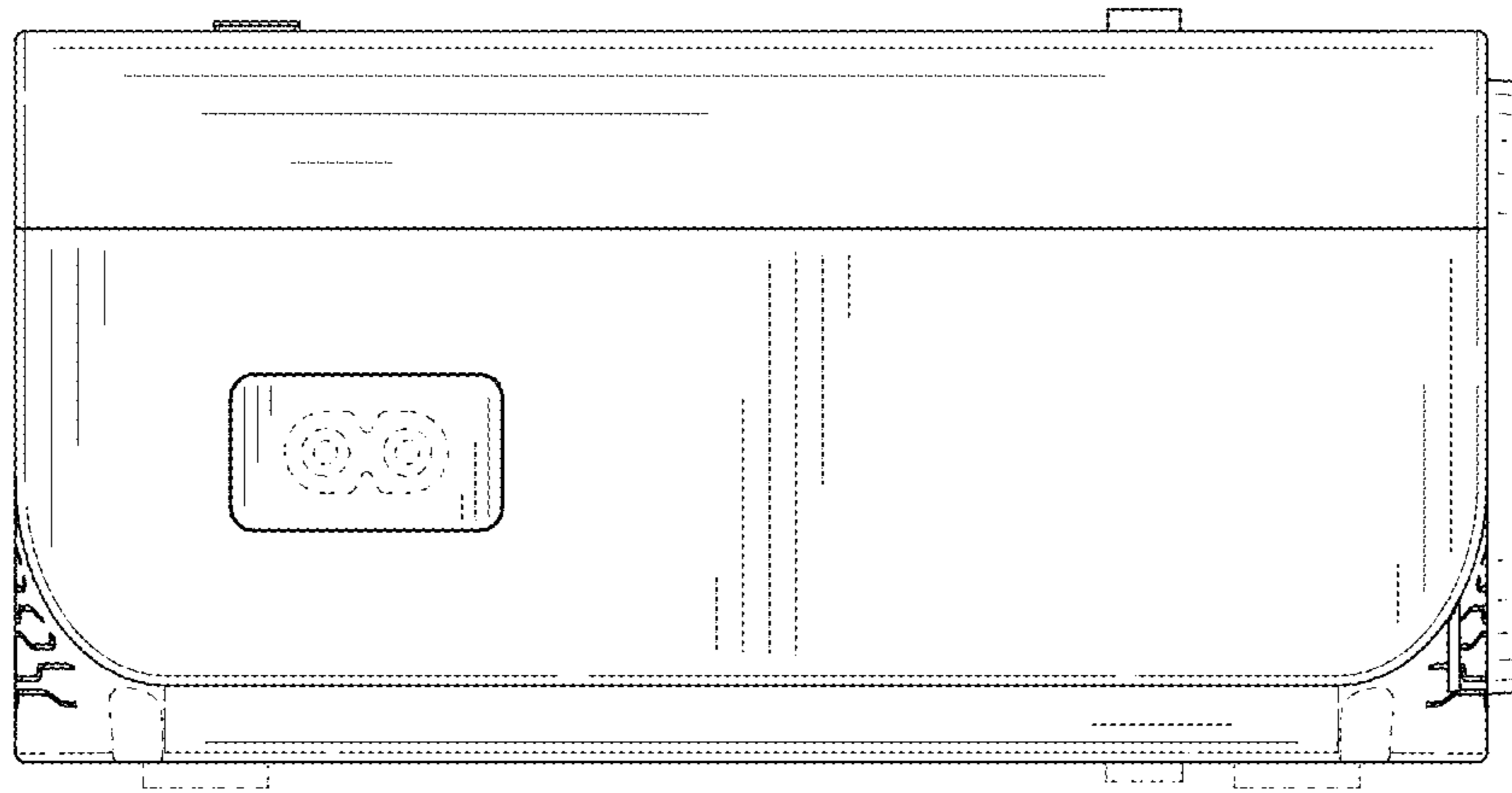


FIG. 5

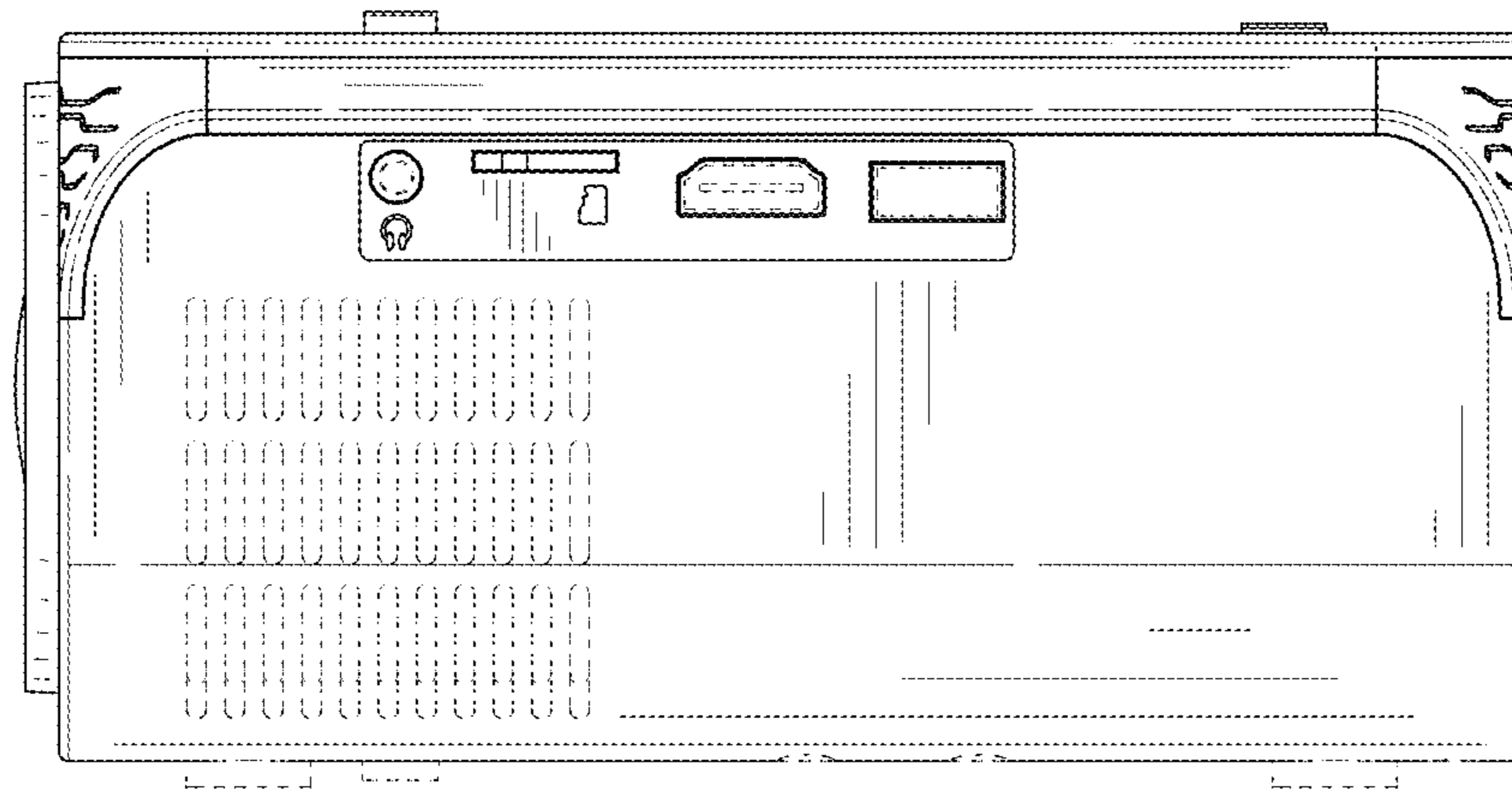


FIG. 6

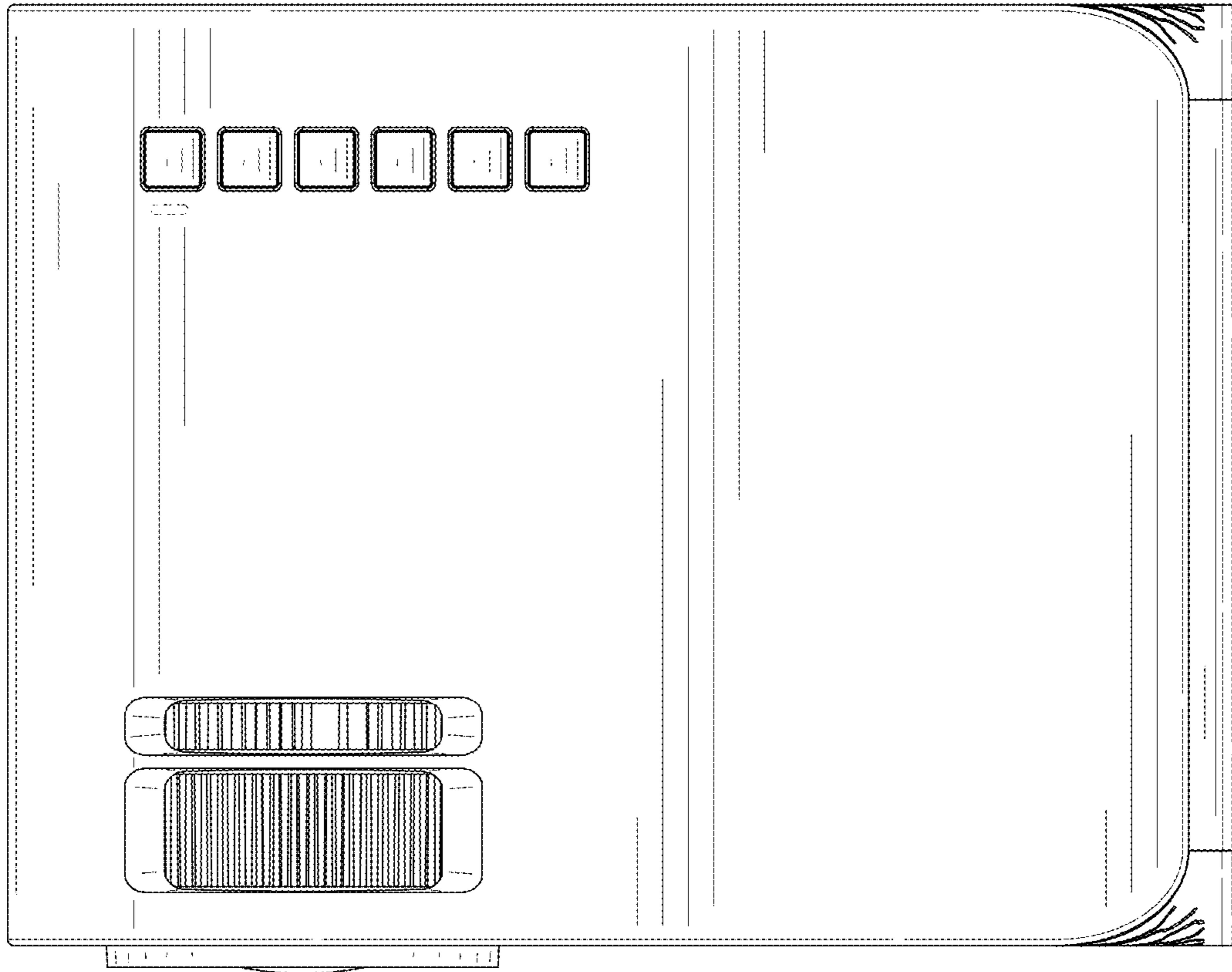


FIG. 7

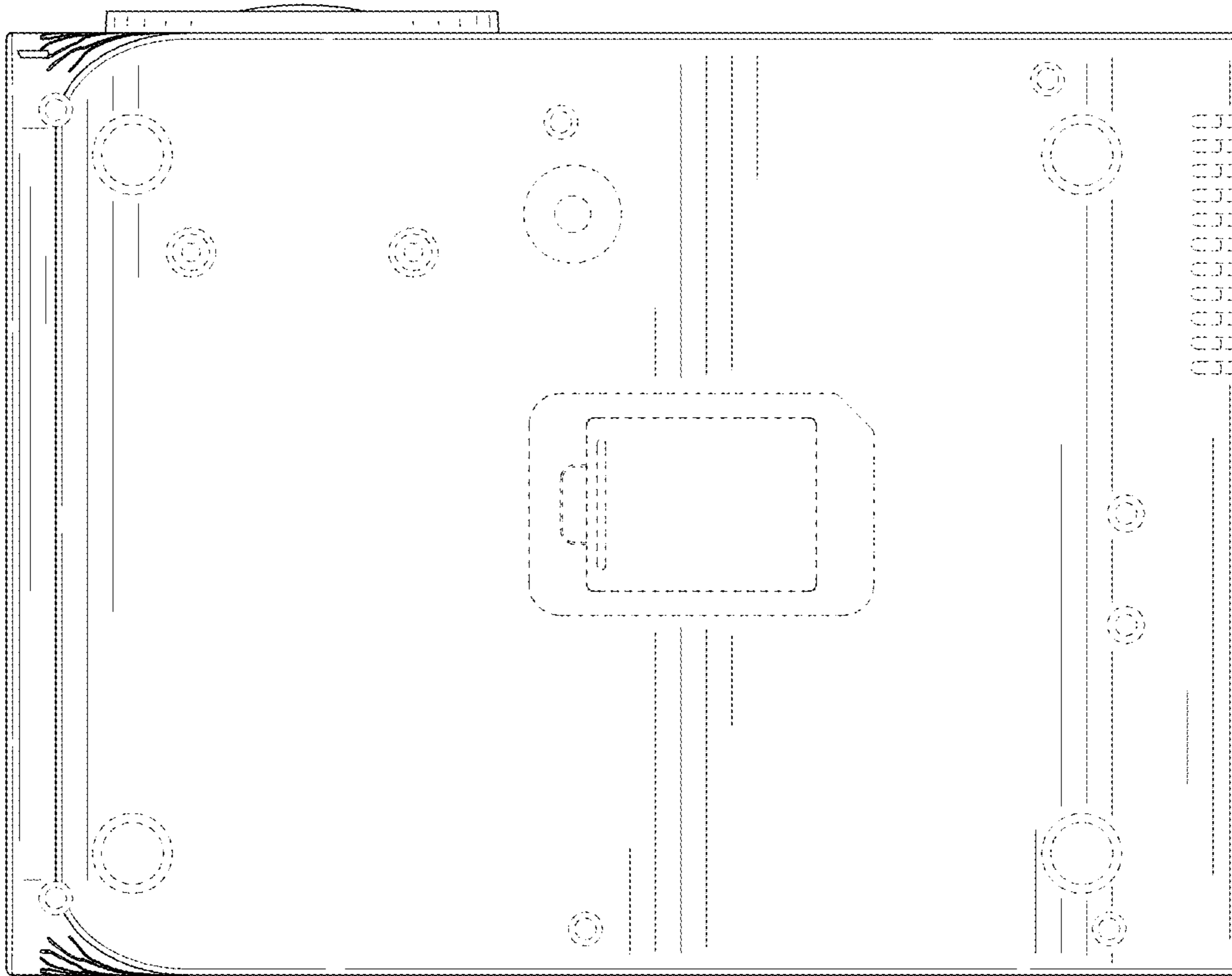


FIG. 8