



US00D952730S

(12) **United States Design Patent**  
**Deng**

(10) **Patent No.:** **US D952,730 S**

(45) **Date of Patent:** **\*\* May 24, 2022**

(54) **PROJECTOR**

(71) Applicant: **Shenzhen Shadow Crown Technology Co., Ltd**, Guangdong (CN)

(72) Inventor: **Feiyue Deng**, Guangdong (CN)

(73) Assignee: **Shenzhen Shadow Crown Technology Co., Ltd**, Shenzhen (CN)

(\*\*) Term: **15 Years**

(21) Appl. No.: **29/749,116**

(22) Filed: **Sep. 3, 2020**

(30) **Foreign Application Priority Data**

Aug. 13, 2020 (CN) ..... 202030461725.7

(51) **LOC (13) Cl.** ..... **16-02**

(52) **U.S. Cl.**  
USPC ..... **D16/225**

(58) **Field of Classification Search**  
USPC ..... D16/221, 225, 230-231, 234-235;  
D21/514

CPC ..... G03B 21/145; G03B 21/14; G03B 21/16;  
G03B 21/00; G03B 21/003; G03B 21/12  
See application file for complete search history.

(56) **References Cited**

**U.S. PATENT DOCUMENTS**

D518,081 S \* 3/2006 Peard ..... D16/225  
7,281,807 B2 \* 10/2007 Plut ..... G03B 21/16  
353/101

D554,685 S \* 11/2007 Ishikawa ..... D16/221  
8,366,282 B2 \* 2/2013 Plut ..... G03B 21/16  
353/101  
D898,105 S \* 10/2020 Werner ..... D16/225  
2006/0082906 A1 \* 4/2006 Wang ..... G03B 21/145  
359/798  
2014/0146296 A1 \* 5/2014 Tian ..... G03B 21/145  
353/100

\* cited by examiner

*Primary Examiner* — Wan Laymon

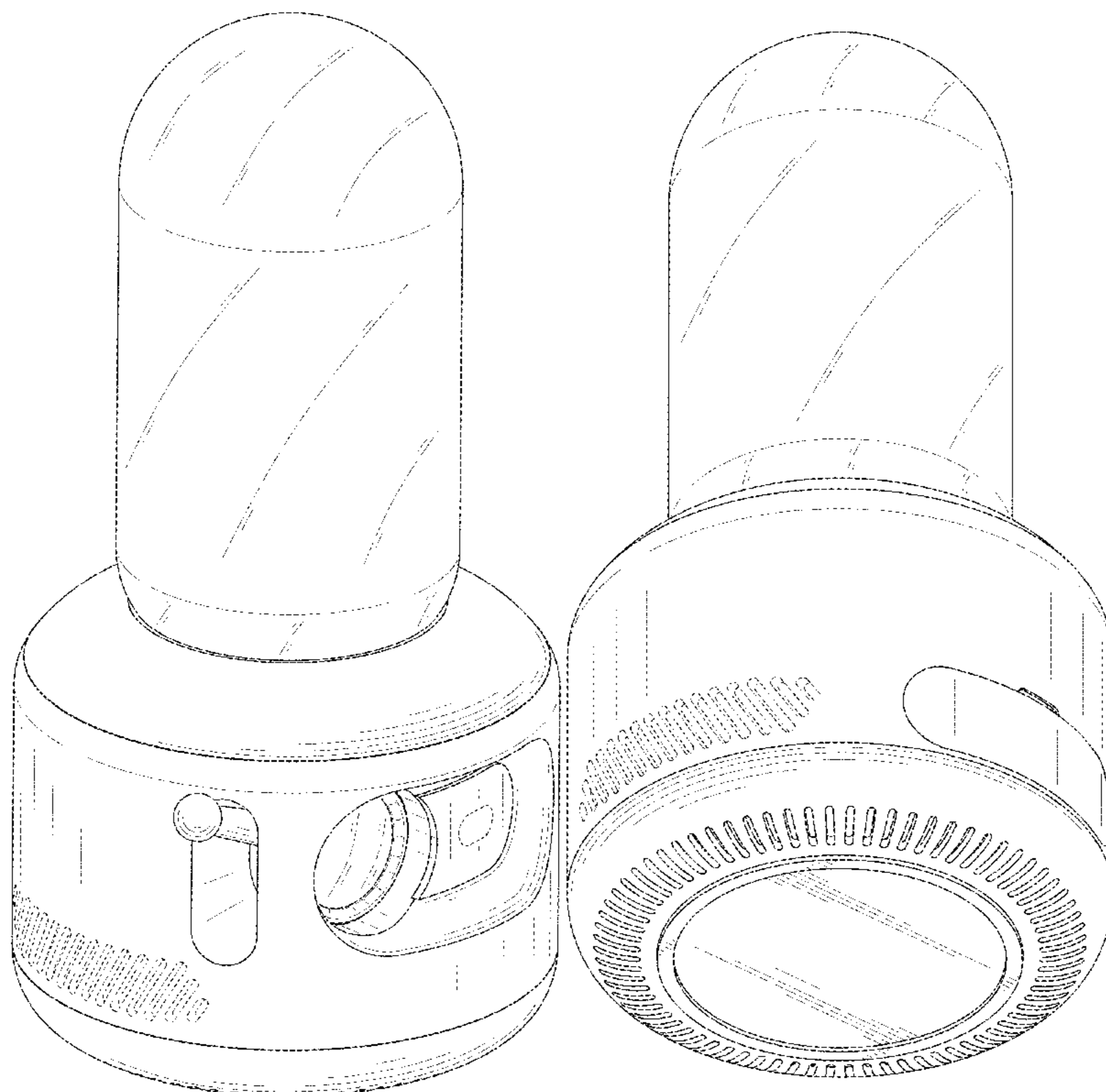
(57) **CLAIM**

The ornamental design for a projector, as shown and described.

**DESCRIPTION**

FIG. 1 is a top, front and left side perspective view of a projector showing my new design;  
FIG. 2 is a bottom, rear and right side perspective view thereof;  
FIG. 3 is a front elevational view thereof;  
FIG. 4 is a rear elevational view thereof;  
FIG. 5 is a left side view thereof;  
FIG. 6 is a right side view thereof;  
FIG. 7 is a top plan view thereof; and,  
FIG. 8 is a bottom plan view thereof.  
The broken lines in the drawings illustrate portions of the projector which form no part of the claimed design.

**1 Claim, 8 Drawing Sheets**



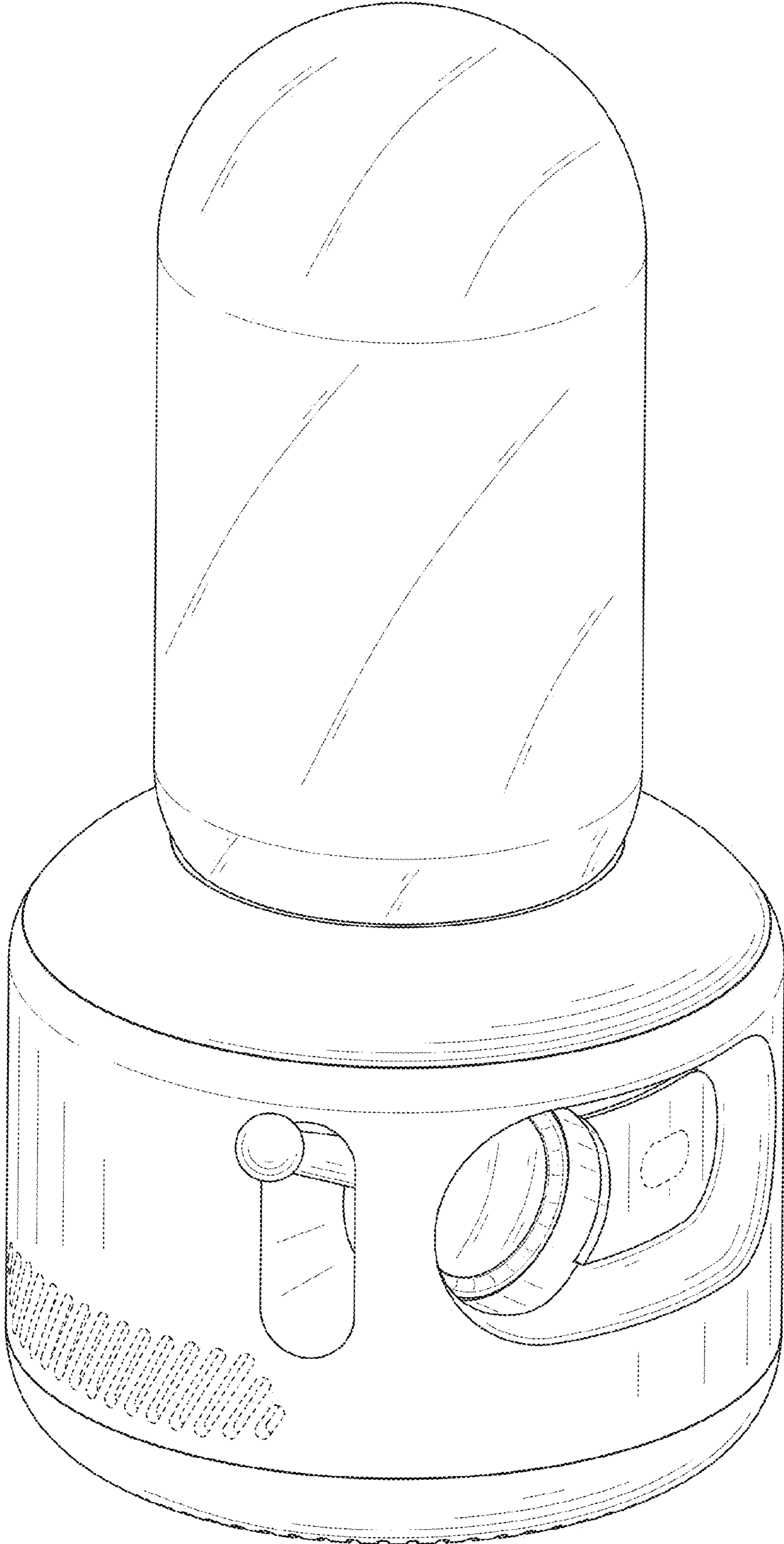


FIG. 1

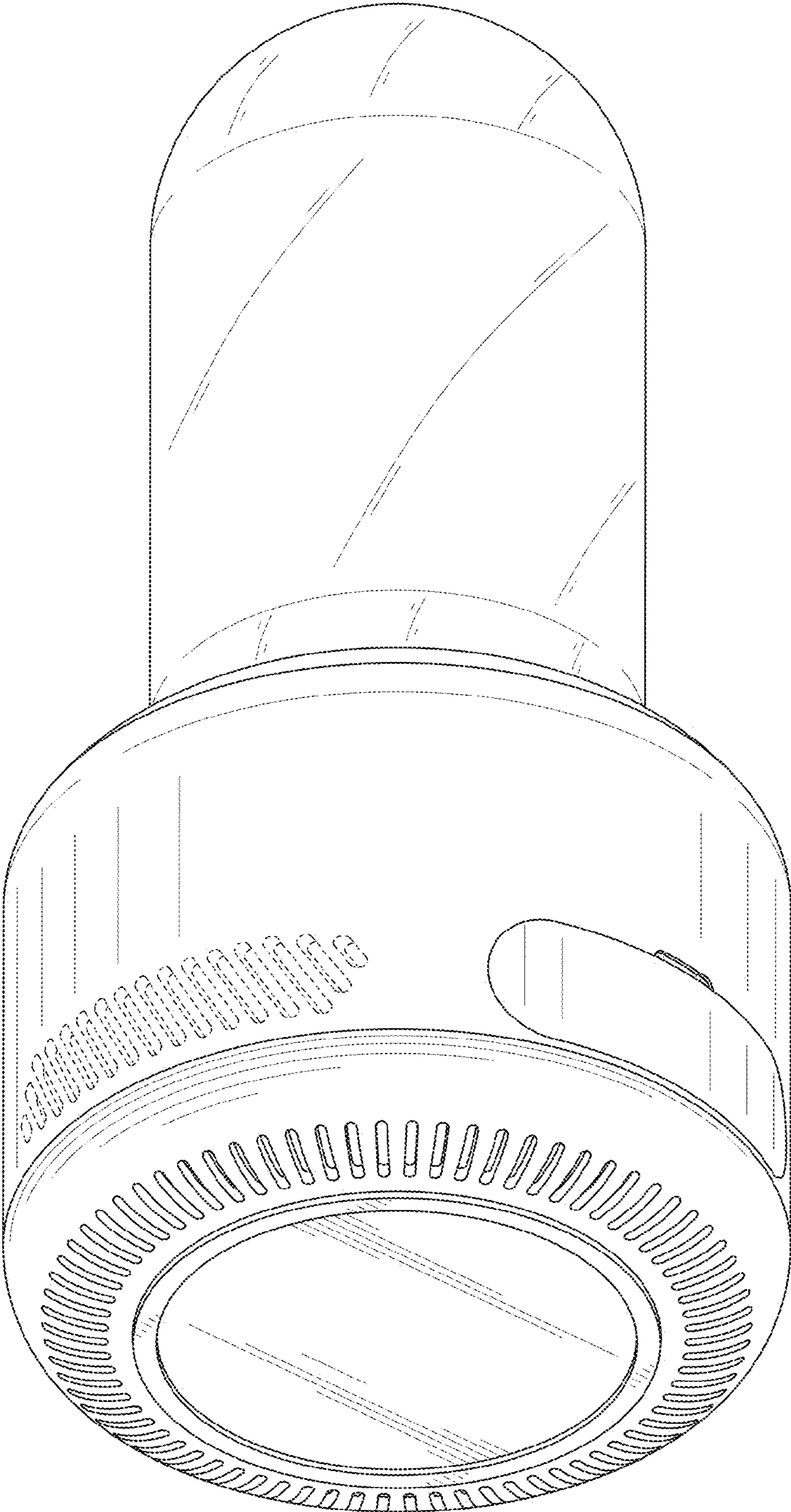


FIG. 2

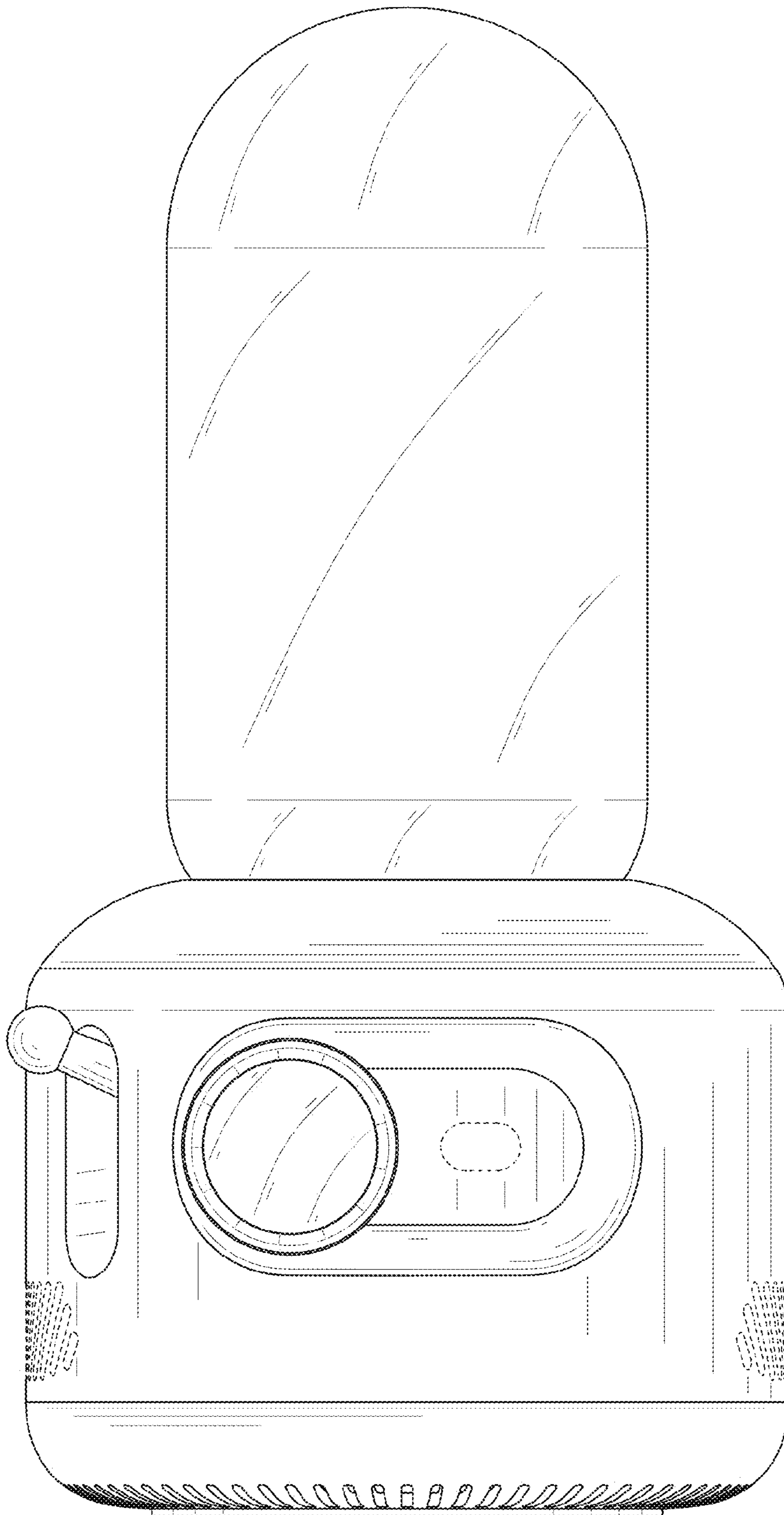


FIG. 3

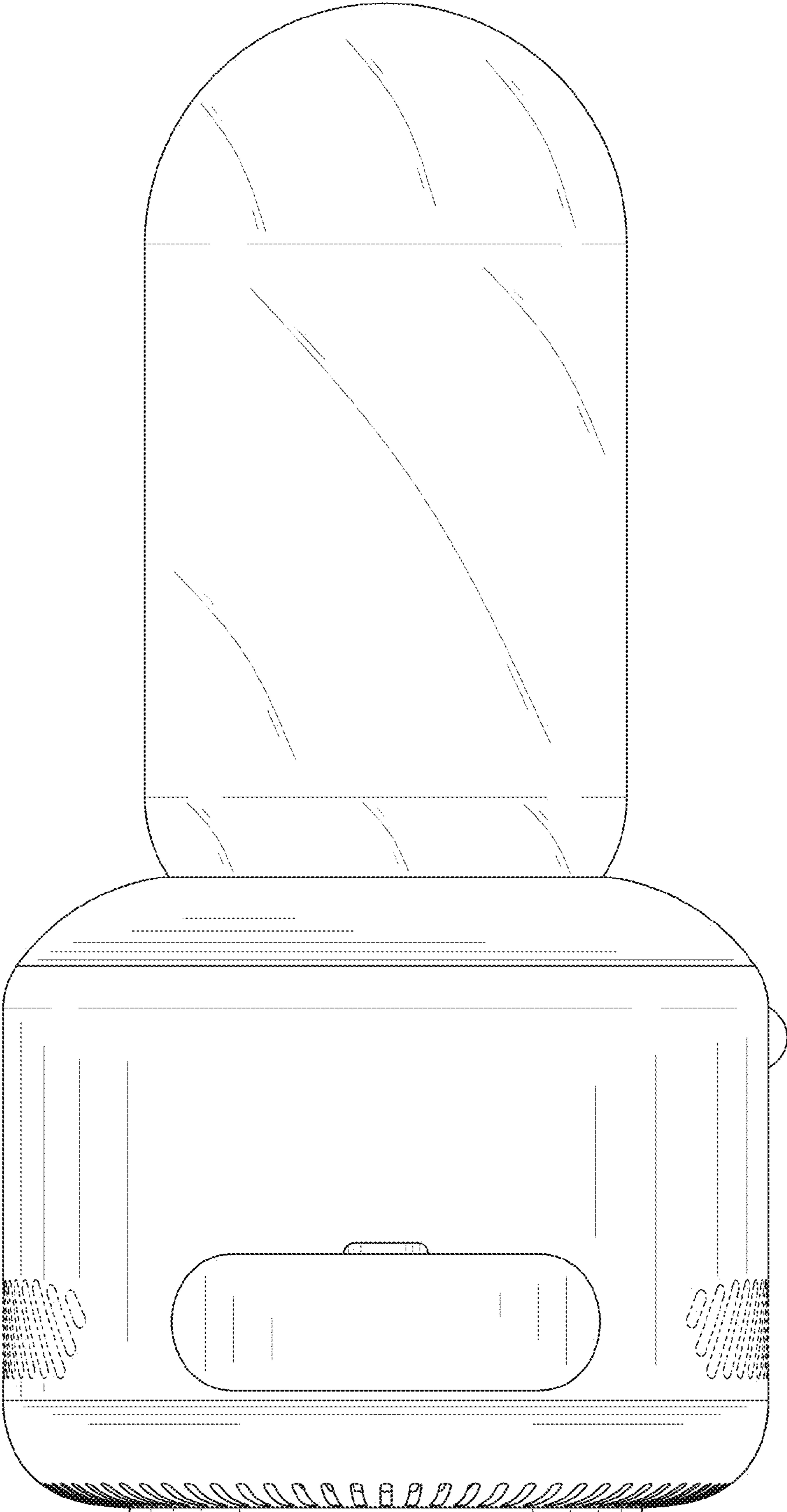


FIG. 4

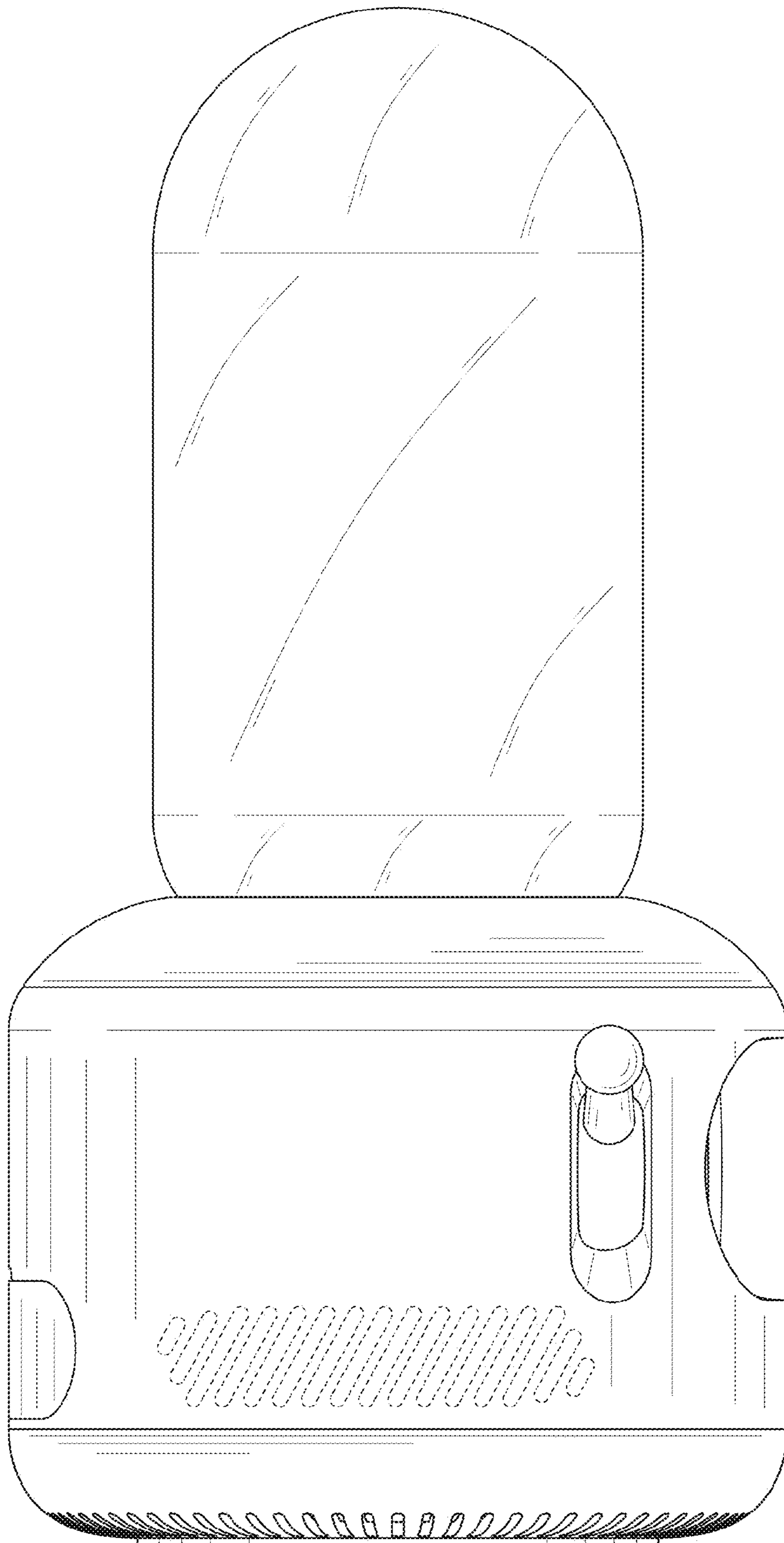


FIG. 5

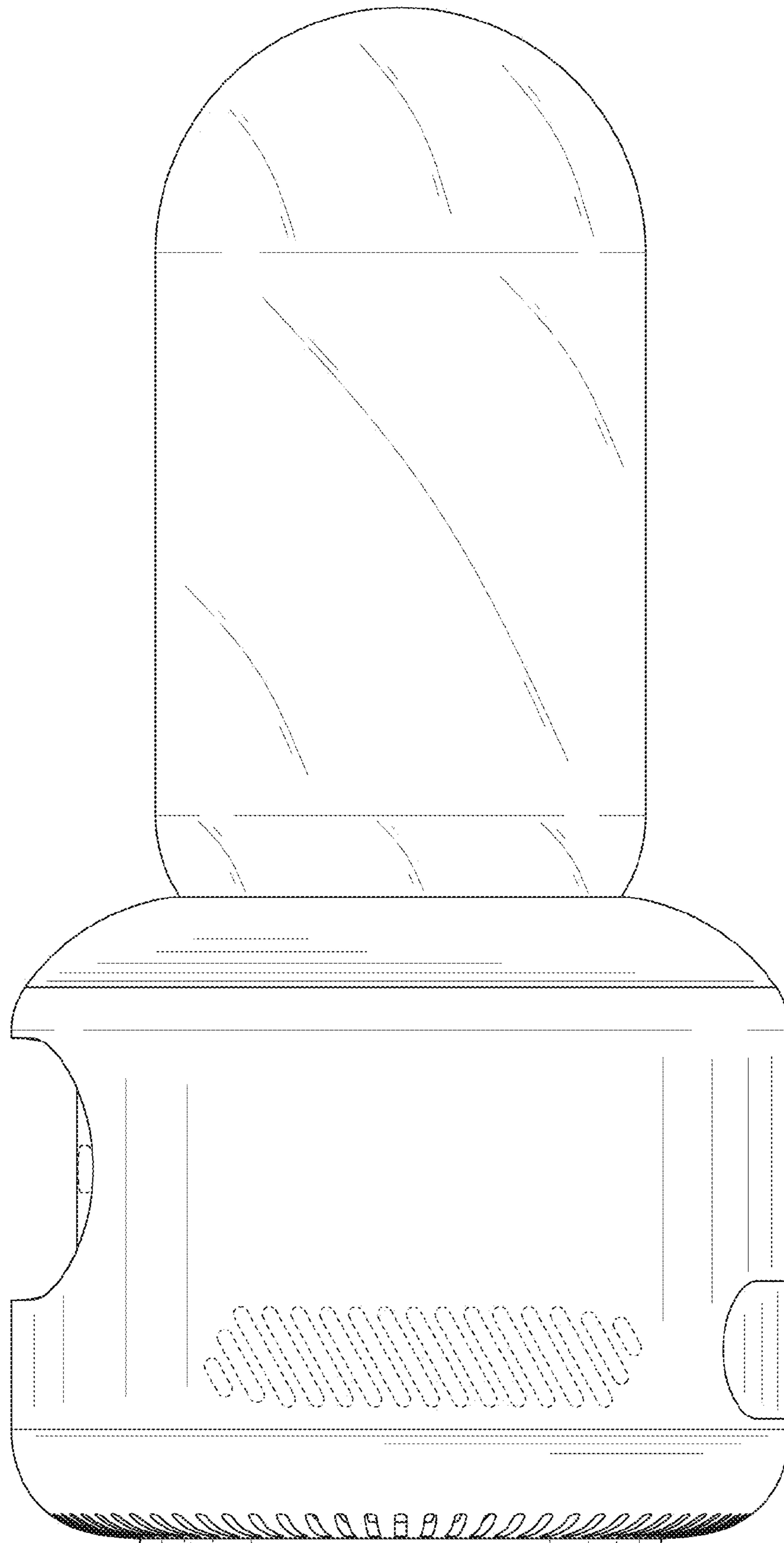


FIG. 6

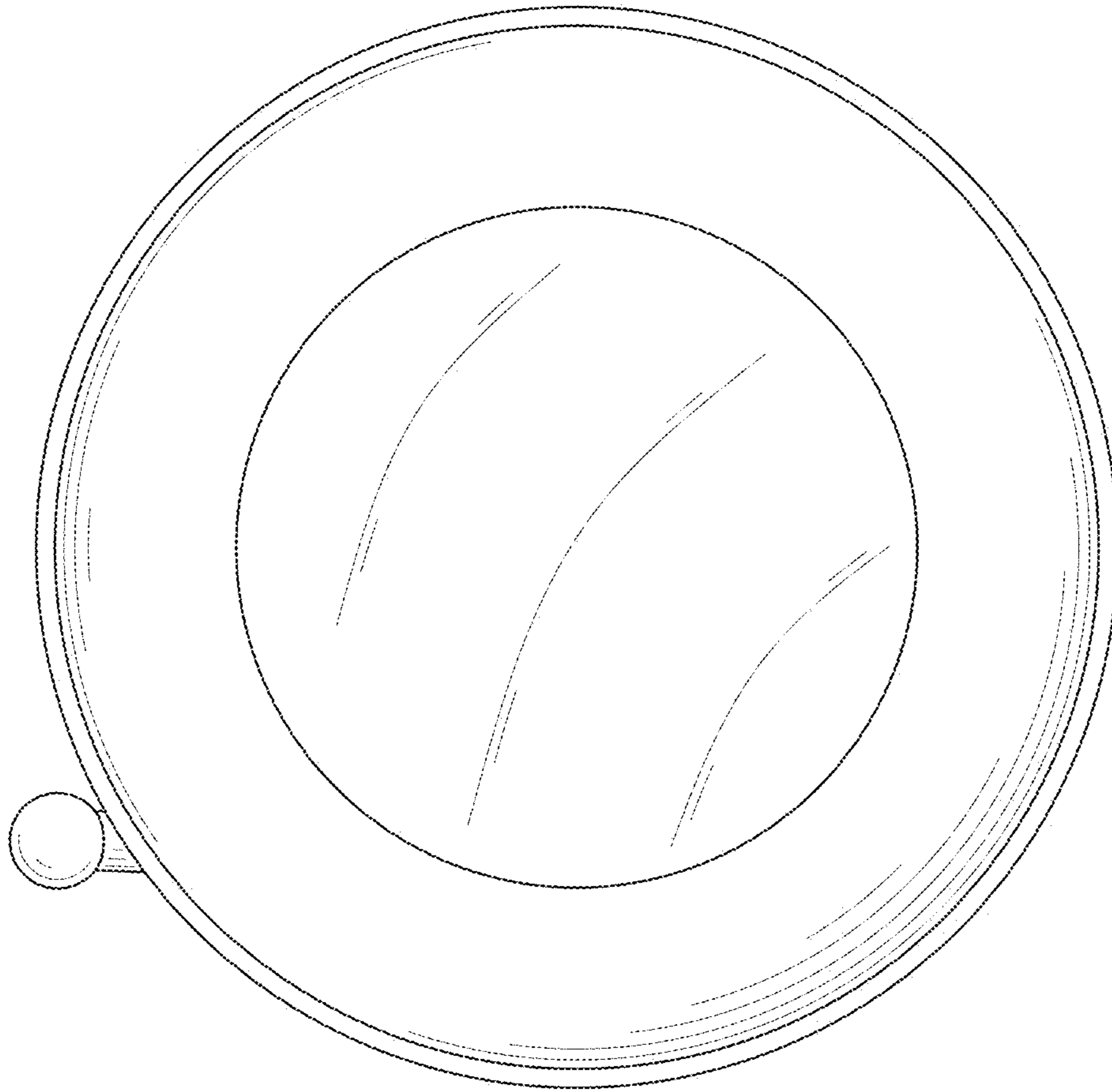


FIG. 7



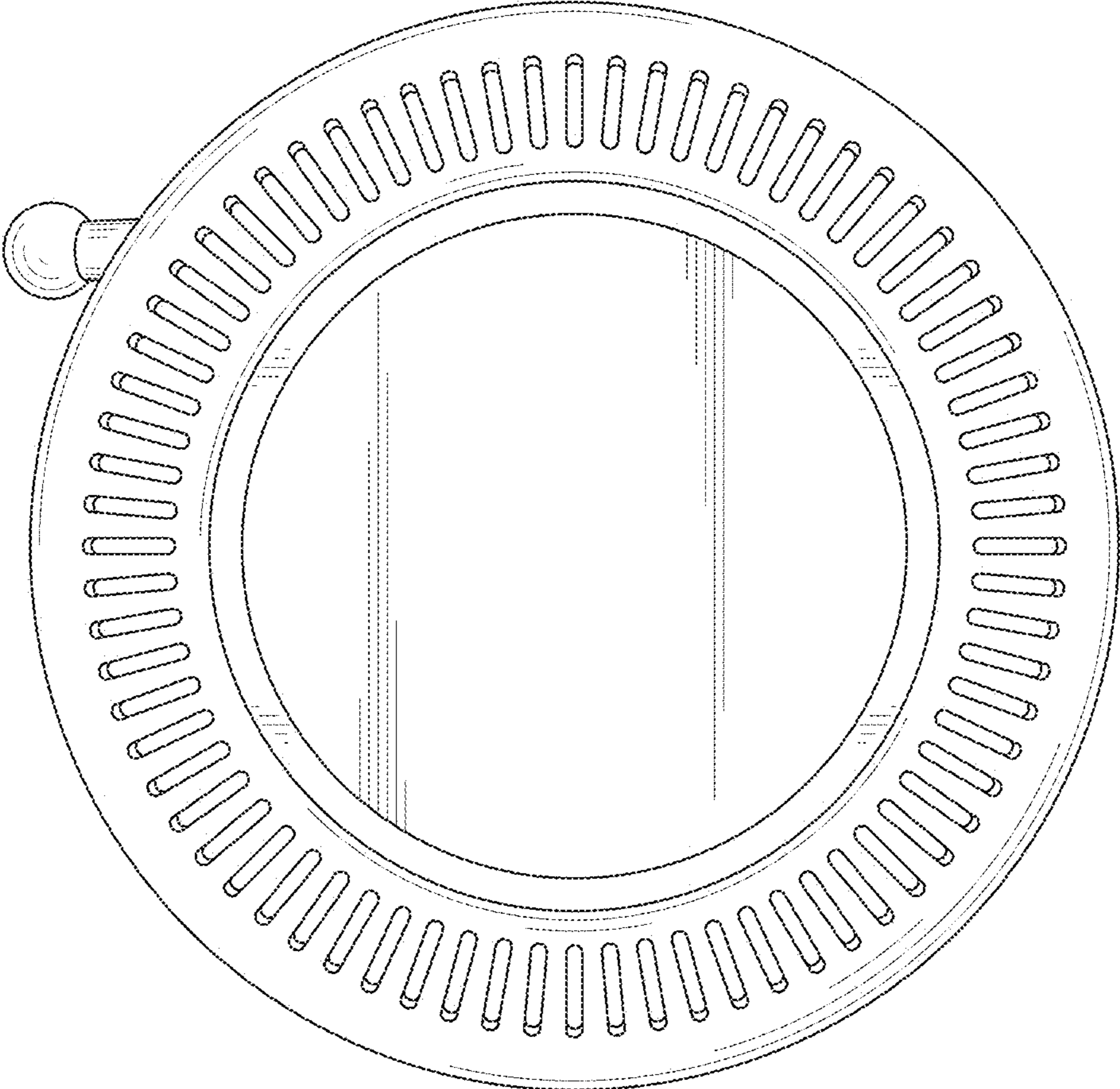


FIG. 8