



US00D952729S

(12) **United States Design Patent**  
**Li et al.**

(10) **Patent No.:** **US D952,729 S**  
(45) **Date of Patent:** **\*\* May 24, 2022**

(54) **PROJECTOR**

(71) Applicant: **BEIJING XIAOMI MOBILE SOFTWARE CO., LTD.**, Beijing (CN)

(72) Inventors: **Ningning Li**, Beijing (CN); **Xuxu Li**, Beijing (CN); **Lei Zhang**, Beijing (CN)

(73) Assignee: **BEIJING XIAOMI MOBILE SOFTWARE CO., LTD.**, Beijing (CN)

(\*\*) Term: **15 Years**

(21) Appl. No.: **35/509,855**

(22) Filed: **Apr. 28, 2020**

(80) **Hague Agreement Data**

Int. Filing Date: **Apr. 28, 2020**  
Int. Reg. No.: **DM/209177**  
Int. Reg. Date: **Apr. 28, 2020**  
Int. Reg. Pub. Date: **Jul. 24, 2020**

(30) **Foreign Application Priority Data**

Nov. 20, 2019 (CN) ..... 201930640466.1

(51) **LOC (13) Cl.** ..... **16-02**

(52) **U.S. Cl.**  
USPC ..... **D16/221**

(58) **Field of Classification Search**

USPC ..... D16/221, 225, 229-231, 234-235;  
D14/496, 125, 135, 188  
CPC .... G03B 21/00; G03B 21/001; G03B 21/003;  
G03B 21/12; G03B 21/14; G03B 21/145  
See application file for complete search history.

(56) **References Cited**

**U.S. PATENT DOCUMENTS**

D400,903 S \* 11/1998 Miyagawa ..... D16/225  
D542,828 S \* 5/2007 Tsukahara ..... D16/221

D544,898 S \* 6/2007 Kawabe ..... D16/221  
D545,339 S \* 6/2007 Naruki ..... D16/221  
D545,864 S \* 7/2007 Naruki ..... D16/221  
D545,865 S \* 7/2007 Azuma ..... D16/221  
D550,269 S \* 9/2007 Salvatori ..... D16/221  
D551,691 S \* 9/2007 Sakamaki ..... D16/221  
D565,078 S \* 3/2008 Funaki ..... D16/225  
D565,080 S \* 3/2008 Ishikawa ..... D16/221  
D589,074 S \* 3/2009 Lim ..... D16/230  
D590,865 S \* 4/2009 Nishimura ..... D16/230  
D598,944 S \* 8/2009 Collet ..... D16/221  
D606,110 S \* 12/2009 Inoue ..... D16/225  
D631,904 S \* 2/2011 Kim ..... D16/230  
D658,699 S \* 5/2012 Azuma ..... D16/230  
D663,759 S \* 7/2012 Cho ..... D16/230  
D685,835 S \* 7/2013 Nakashima ..... D16/230  
D851,695 S \* 6/2019 Wang ..... D16/230  
D923,078 S \* 6/2021 Ryu ..... D16/230

\* cited by examiner

*Primary Examiner* — Holly E Thurman

(74) *Attorney, Agent, or Firm* — Syncoda LLC; Feng Ma

(57) **CLAIM**

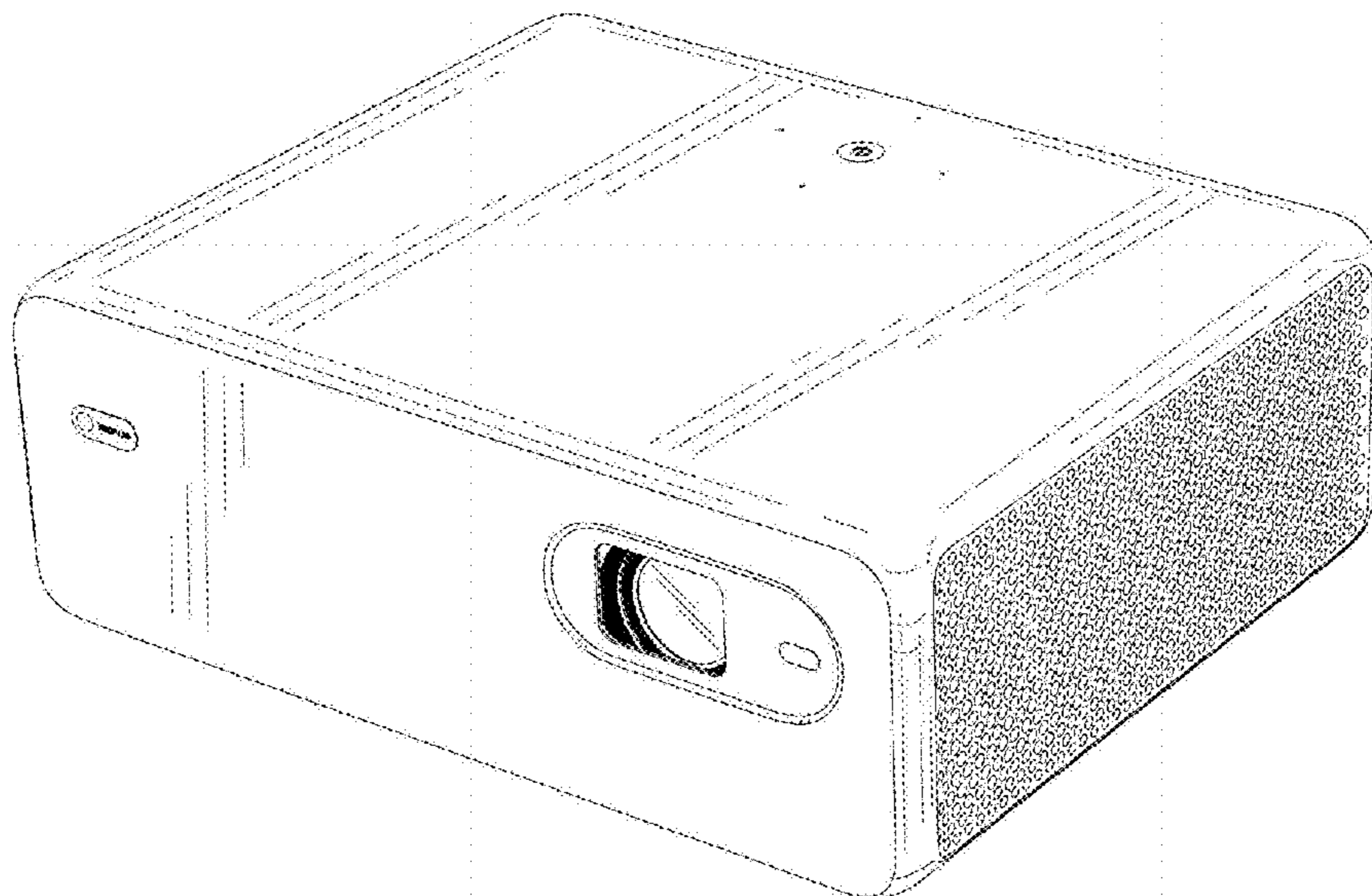
The ornamental design for a projector, as shown and described.

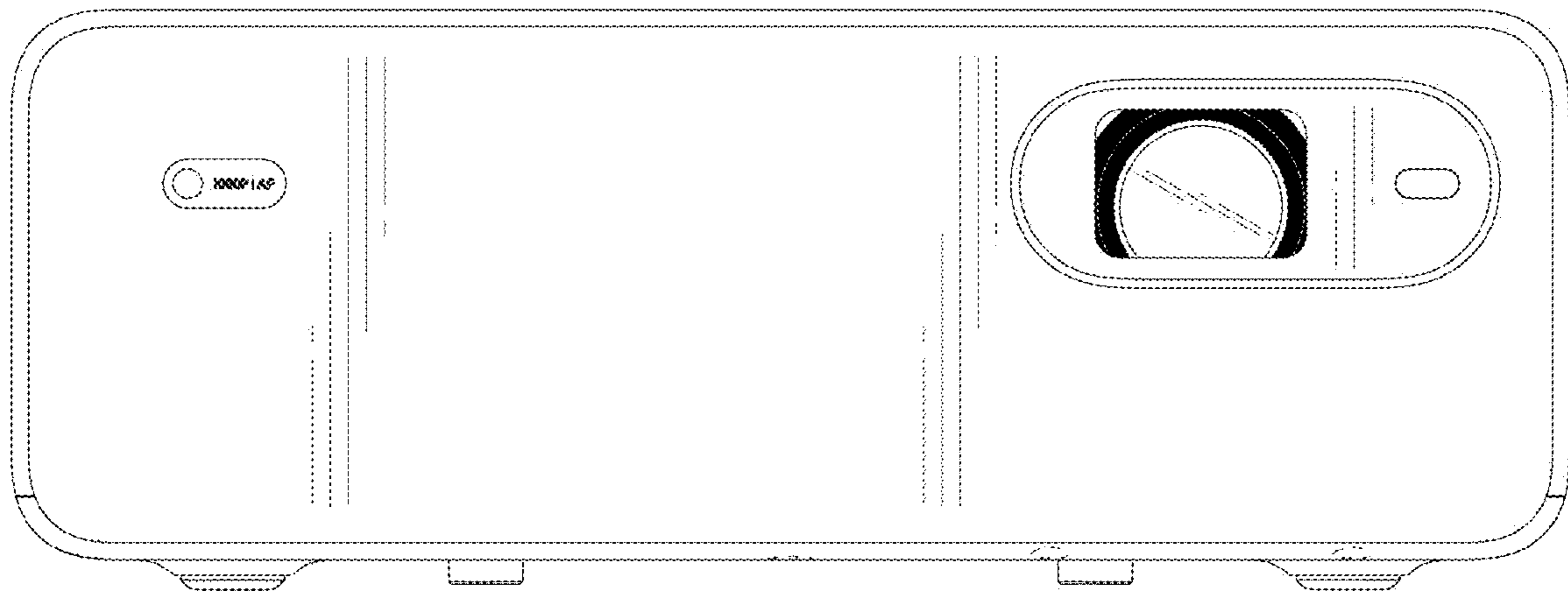
**DESCRIPTION**

- 1. Projector
- 1.1 : Front
- 1.2 : Back
- 1.3 : Left
- 1.4 : Right
- 1.5 : Top
- 1.6 : Bottom
- 1.7 : Perspective

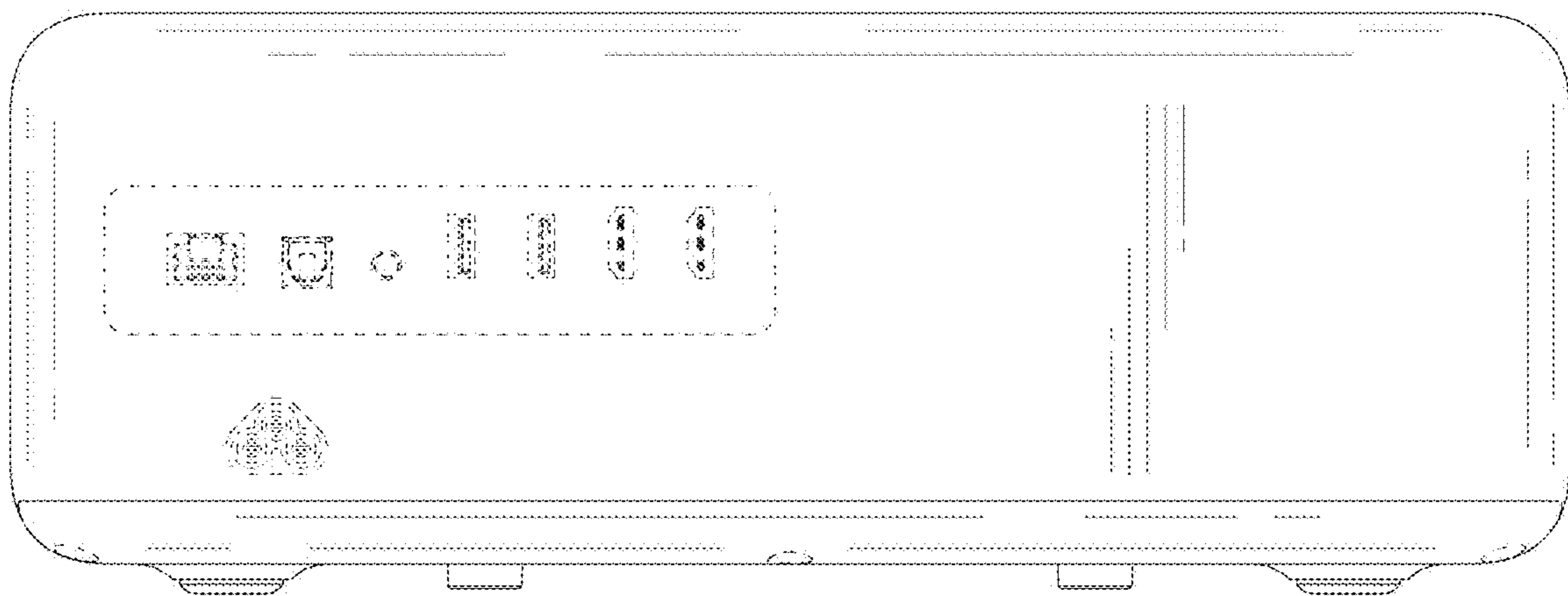
The broken lines depict portions of the projector that form no part of the claimed design.

**1 Claim, 7 Drawing Sheets**

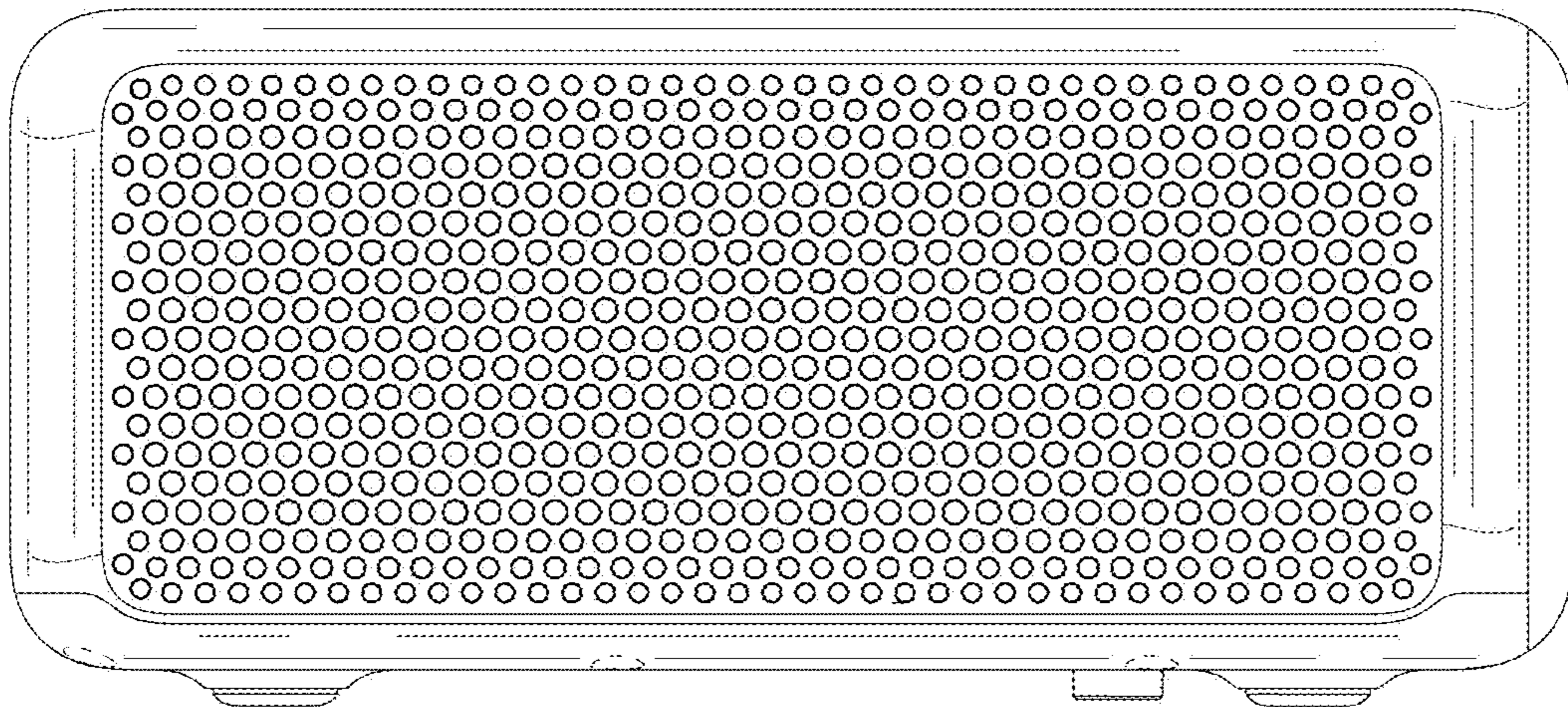




1.1

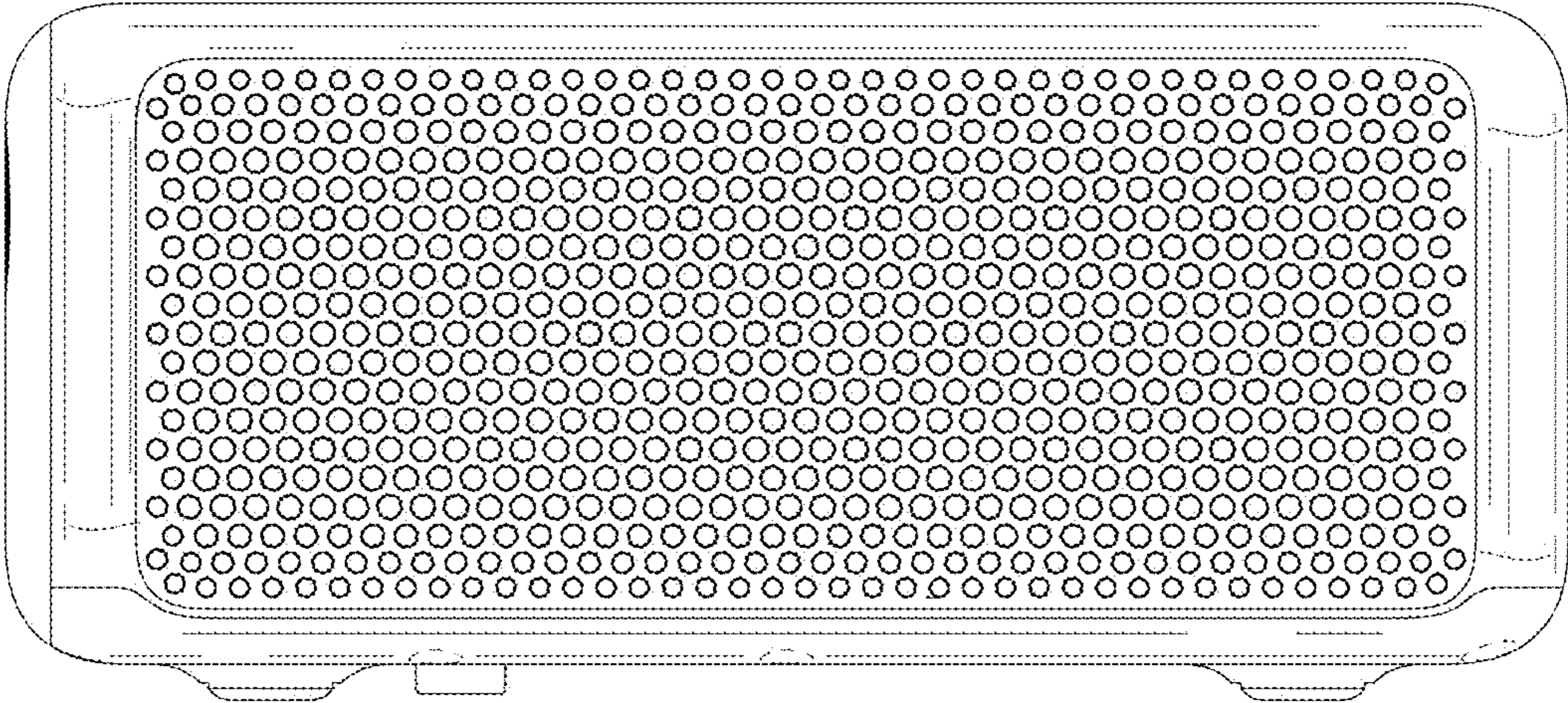


1.2

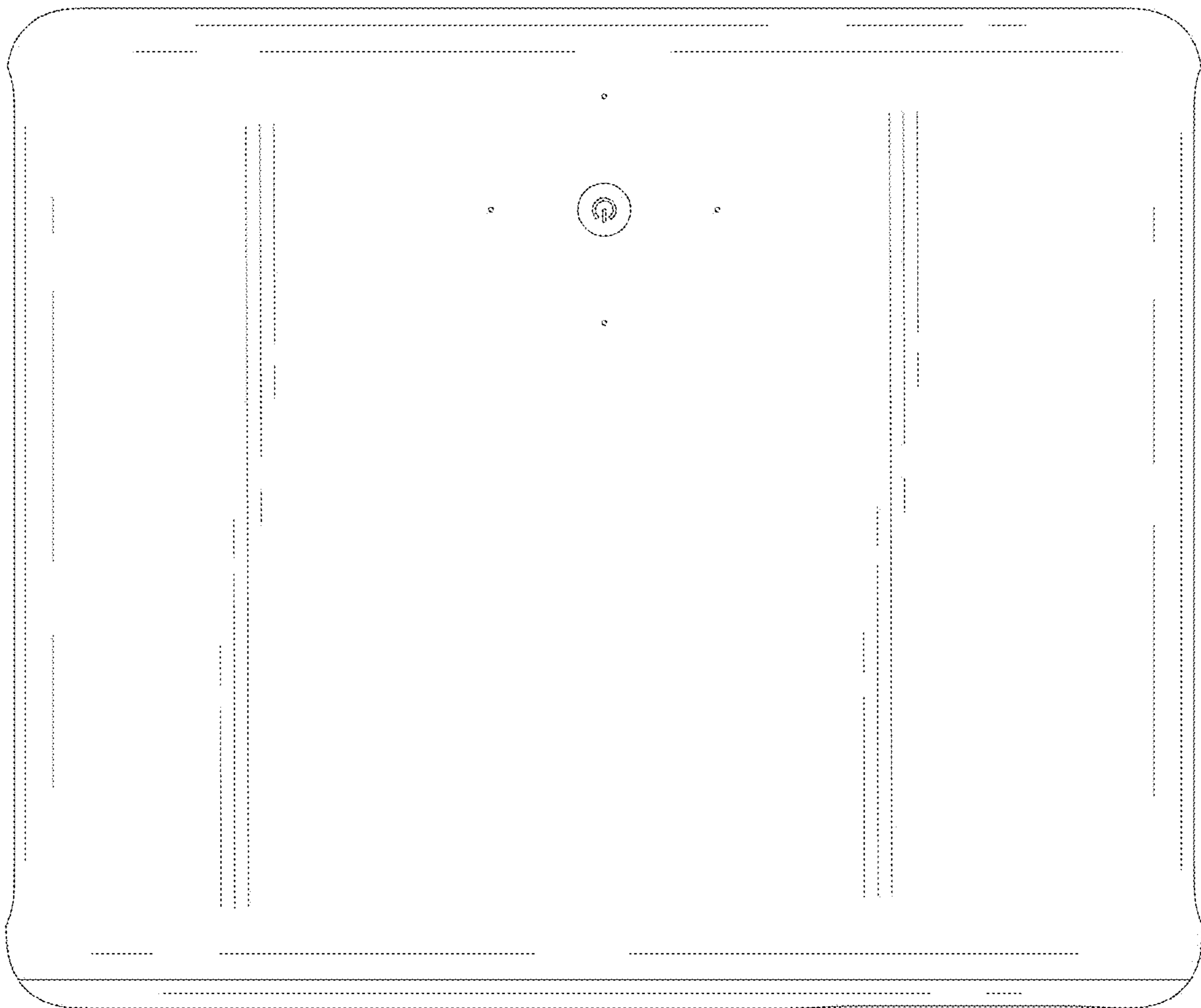


1.3

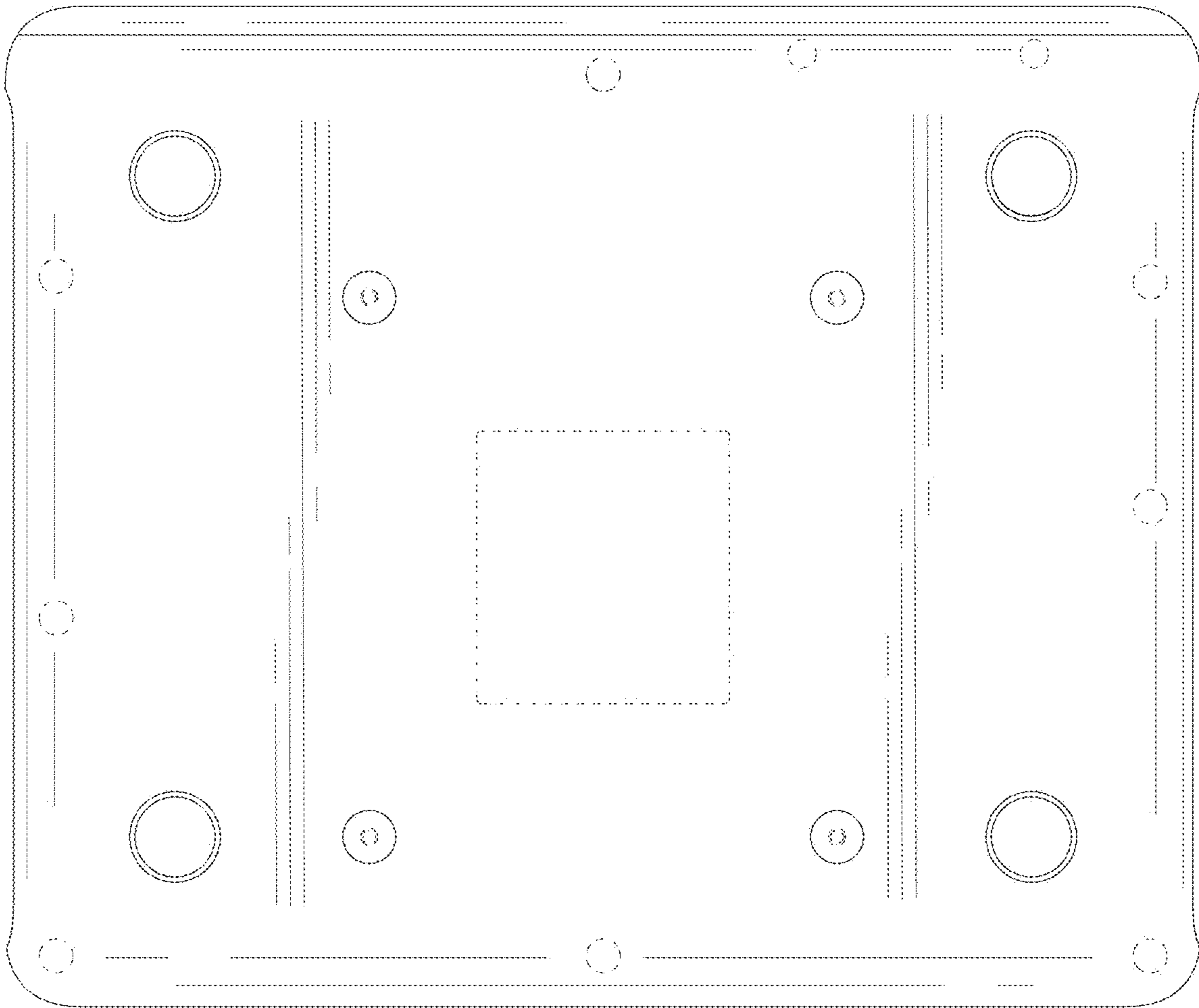




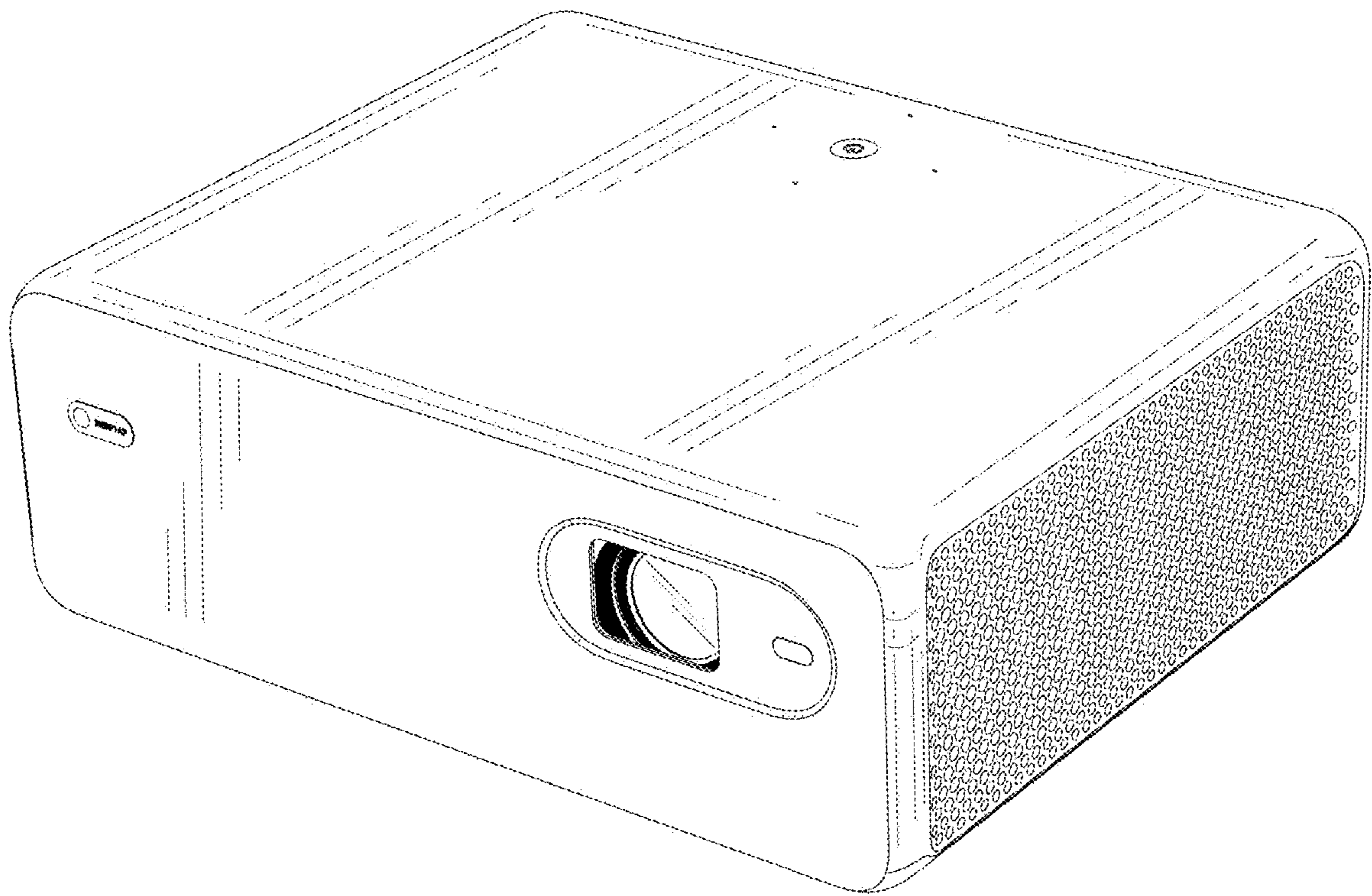
1.4



1.5



1.6



1.7