



US00D952728S

(12) **United States Design Patent**
Huang

(10) **Patent No.:** **US D952,728 S**

(45) **Date of Patent:** **** May 24, 2022**

(54) **SECURITY CAMERA**

(71) Applicant: **SHENZHEN SKYLINE SMART HOME CO., LTD.**, Shenzhen (CN)

(72) Inventor: **Wei Huang**, Shenzhen (CN)

(73) Assignee: **SHENZHEN SKYLINE SMART HOME CO., LTD.**, Shenzhen (CN)

(**) Term: **15 Years**

(21) Appl. No.: **29/800,173**

(22) Filed: **Jul. 19, 2021**

(51) **LOC (13) Cl.** **16-01**

(52) **U.S. Cl.**
USPC **D16/203; D16/200**

(58) **Field of Classification Search**
USPC D16/200–204, 207–208, 218–219;
D10/46, 61, 62, 65, 70, 71, 104.1, 106.6,
D10/106.7; D14/203.1, 204, 209.1, 496
CPC G03B 15/03; G03B 17/02; G03B 17/04;
G03B 17/56; G03B 19/04; H04N 7/141;
H04N 7/142; H04N 7/147; H04N 7/148;
H04N 7/15; H04N 7/152; H04N 5/2251;
H04N 5/2252; H04N 5/2253; H04N
5/2254; H04N 5/23216; H04N 5/232939;
H04N 2101/00; H04N 2007/145

See application file for complete search history.

(56) **References Cited**

U.S. PATENT DOCUMENTS

D754,233 S	*	4/2016	Du	D16/211
D785,693 S	*	5/2017	Kim	D16/202
D798,360 S	*	9/2017	Jeong	D16/203
D806,157 S		12/2017	Marszalek, III et al.		
D828,426 S	*	9/2018	Li	D16/202
D831,089 S	*	10/2018	Laffon de Mazieres	D16/202
D848,501 S	*	5/2019	Read	D16/202
D855,681 S	*	8/2019	Jacob	F16M 11/2014 D16/203

D863,402 S		10/2019	Guo		
D873,889 S	*	1/2020	Rusz	D16/203
D912,121 S	*	3/2021	Han	D16/203
D937,923 S	*	12/2021	Lin	D16/203

FOREIGN PATENT DOCUMENTS

GB	6116356	*	1/2021
GB	6149929	*	7/2021
GB	6149930	*	7/2021

OTHER PUBLICATIONS

“Geeni Look Indoor Smart Security Camera, 1080p HD Surveillance with 2-Way Talk and Motion Detection, Works with Alexa and Google Assistant, No Hub Required (1 Pack)” from Amazon.com, first available May 23, 2018 from the internet <<https://www.amazon.com/dp/B07DD3VXTS/>> (Year: 2018).*

(Continued)

Primary Examiner — Rosemary K Tarcza
Assistant Examiner — Lacey Chey Bowman

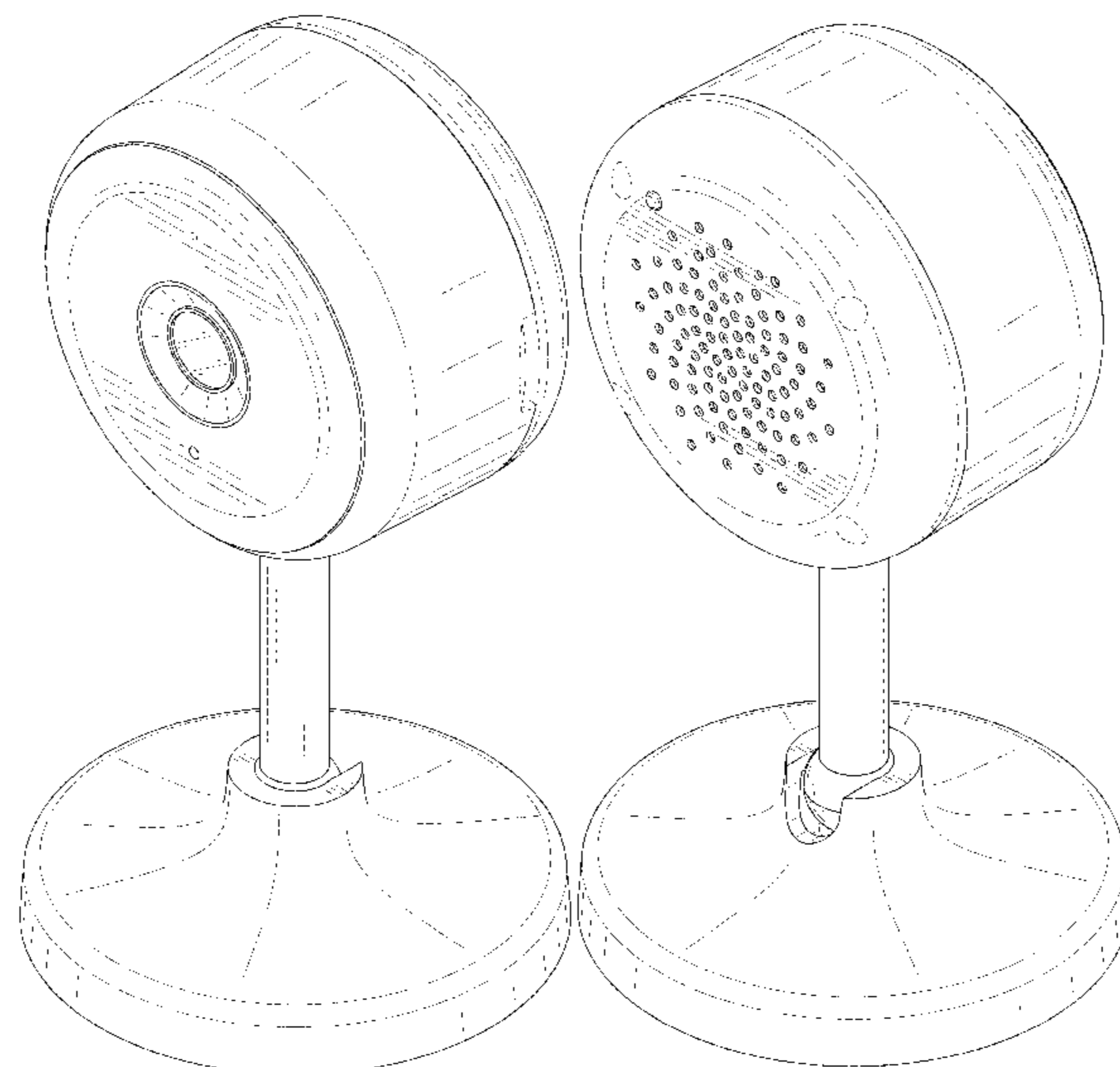
(57) **CLAIM**

The ornamental design for a security camera, as shown and described.

DESCRIPTION

FIG. 1 is a perspective view of a security camera showing my new design;
FIG. 2 is another perspective view thereof;
FIG. 3 is a front elevational view thereof;
FIG. 4 is a rear elevational view thereof;
FIG. 5 is a left side elevational view thereof;
FIG. 6 is a right side elevational view thereof;
FIG. 7 is a top plan view thereof; and,
FIG. 8 is a bottom plan view thereof.
The broken lines in the drawings depict portions of the security camera that form no part of the claimed design.

1 Claim, 8 Drawing Sheets



(56)

References Cited

OTHER PUBLICATIONS

“EZVIZ Indoor Security Camera 1080P WiFi Baby Monitor, Smart Motion Detection, Two-Way Audio, 40ft Night Vision, Works with Alexa & Google Assistant(CIC)” from Amazon.com, first available Aug. 26, 2019 from the internet <<https://www.amazon.com/dp/B07WPXXQPY?ots=1&slotNum=4&imprToken=3abffadd-bac2-dba0-268&tag=techhivecom-20&linkCode=ogi&th=1>> (Year: 2019).*

“Indoor Camera Rbcior 1080P Security Camera 2.4Ghz WiFi Cameras for Home Security Dog Camera Baby Monitor with Night Vision Two-Way Audio Motion Detection Alert for Pet Nanny Elder Works with Alexa” from Amazon.com, first available Feb. 11, 2022 from the internet <<https://www.amazon.com/dp/B09TRC8QJN/>> (Year: 2022).*

* cited by examiner

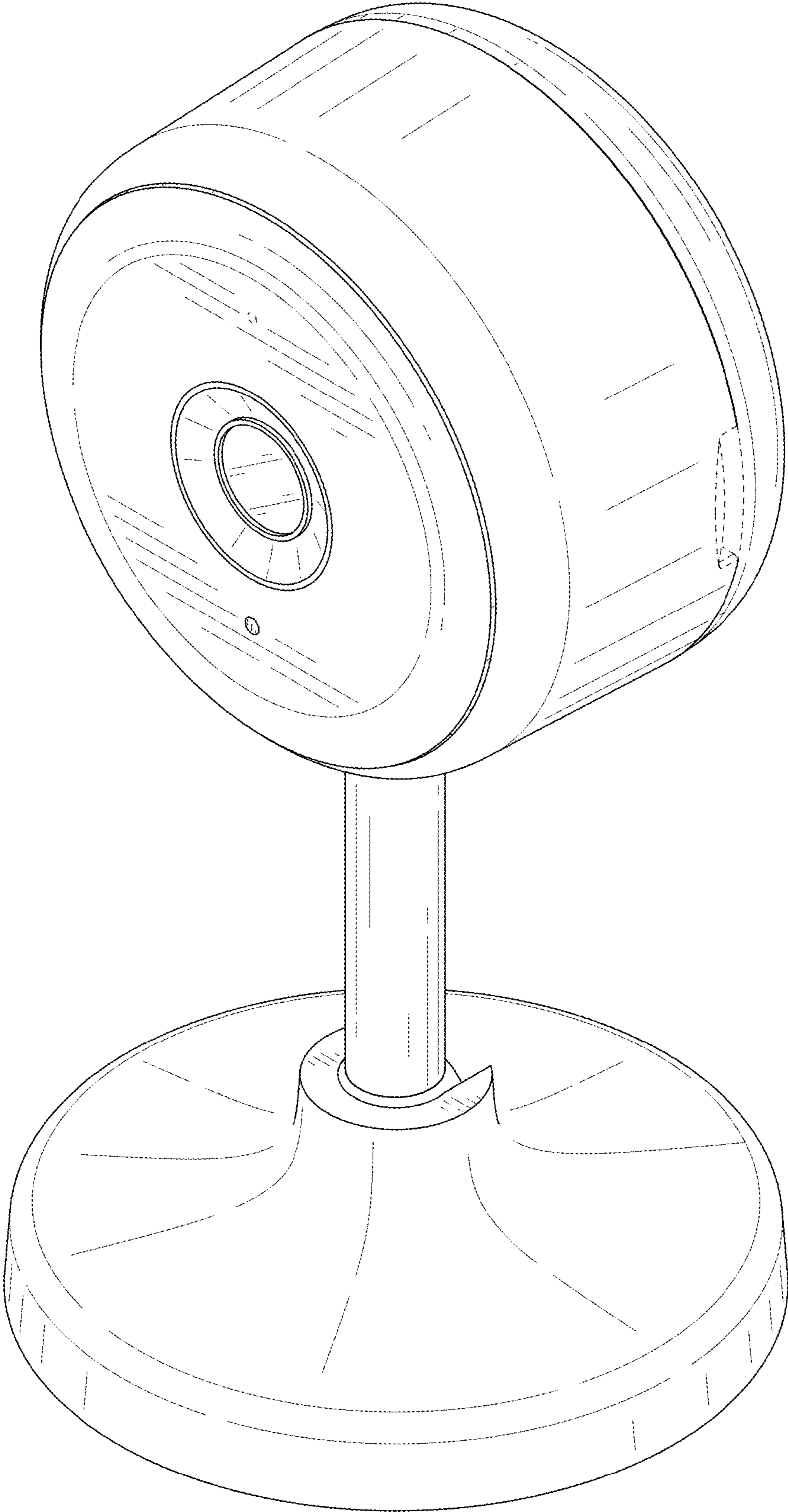


FIG. 1

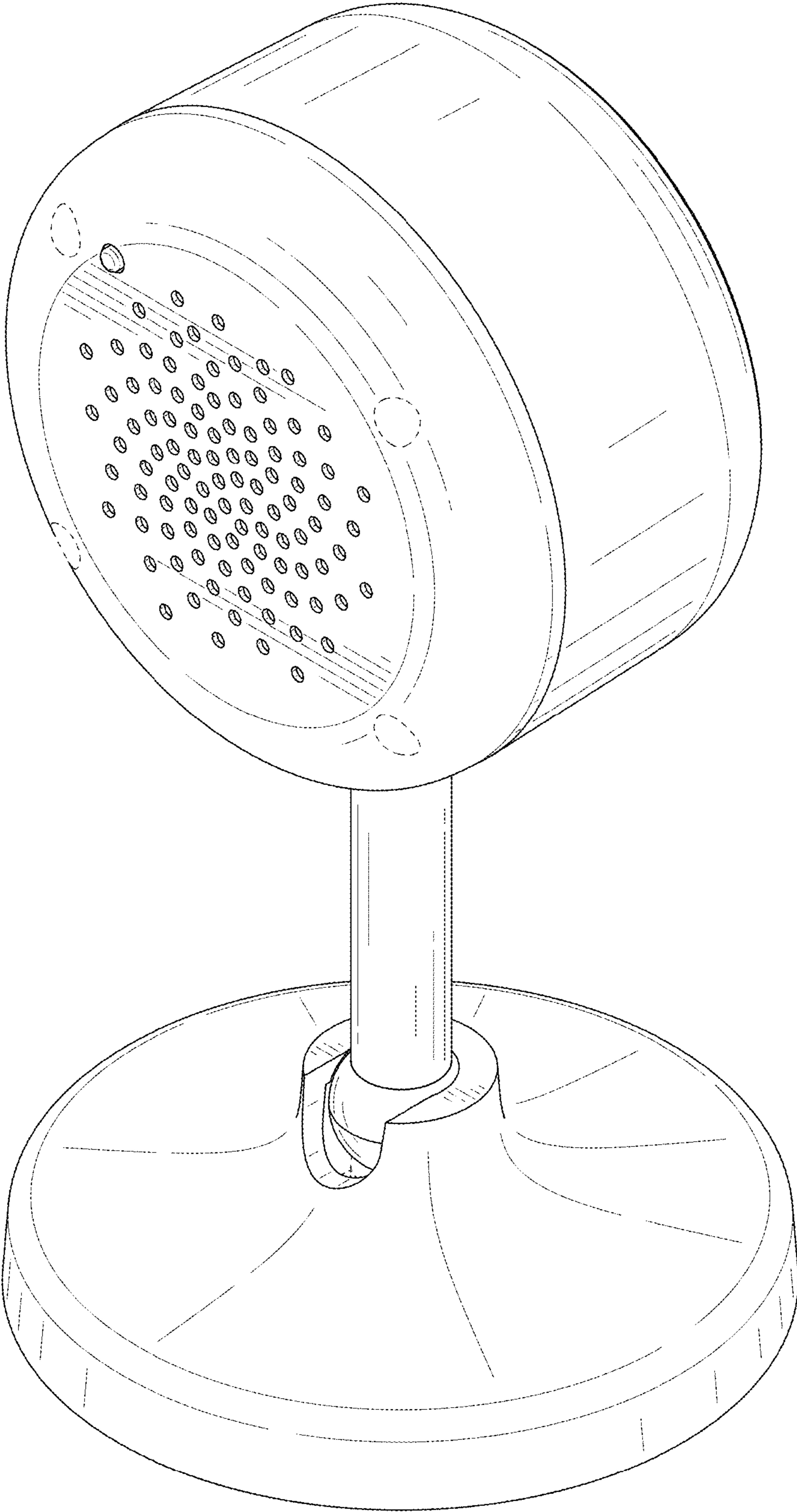


FIG. 2

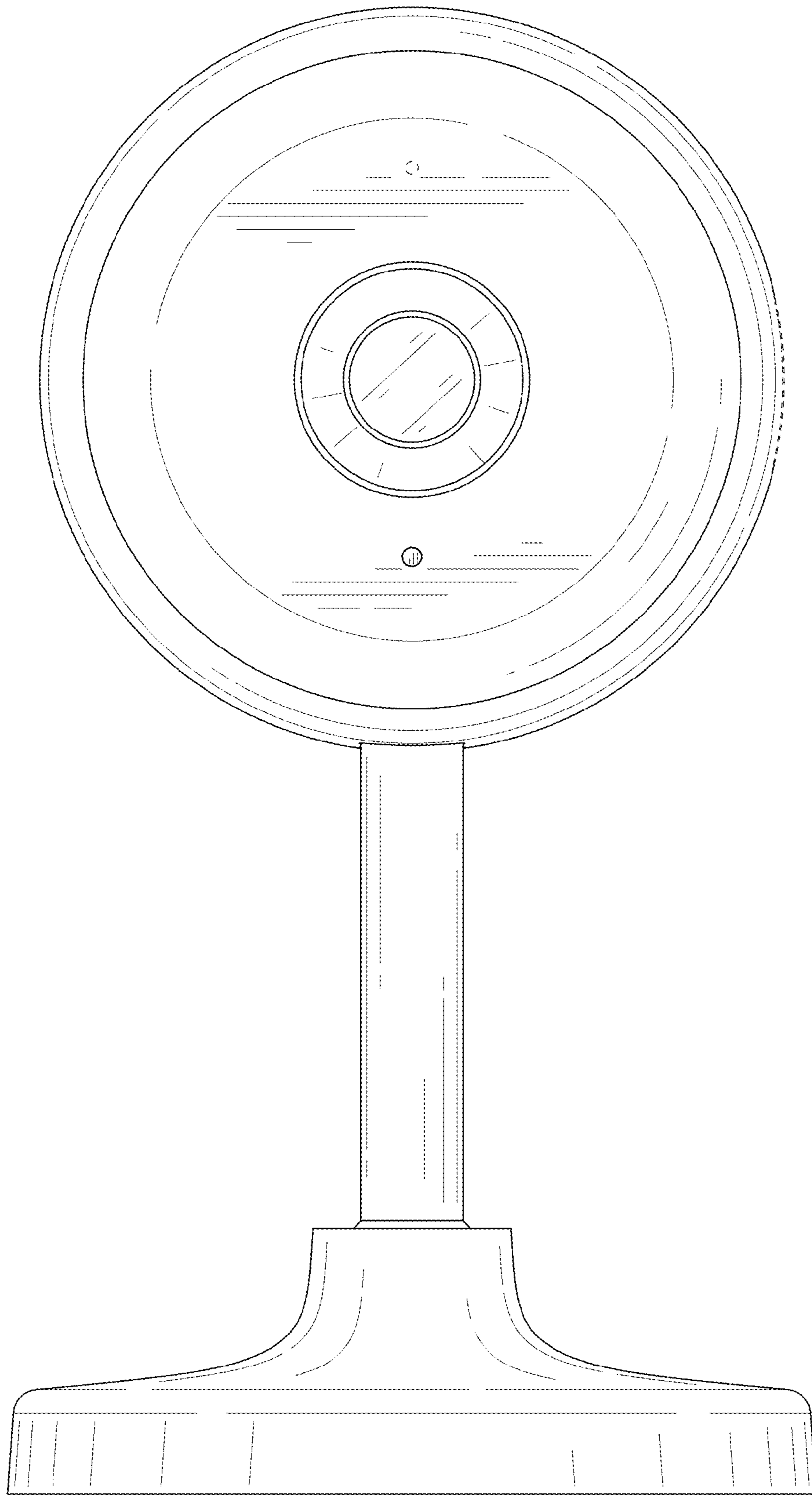


FIG. 3

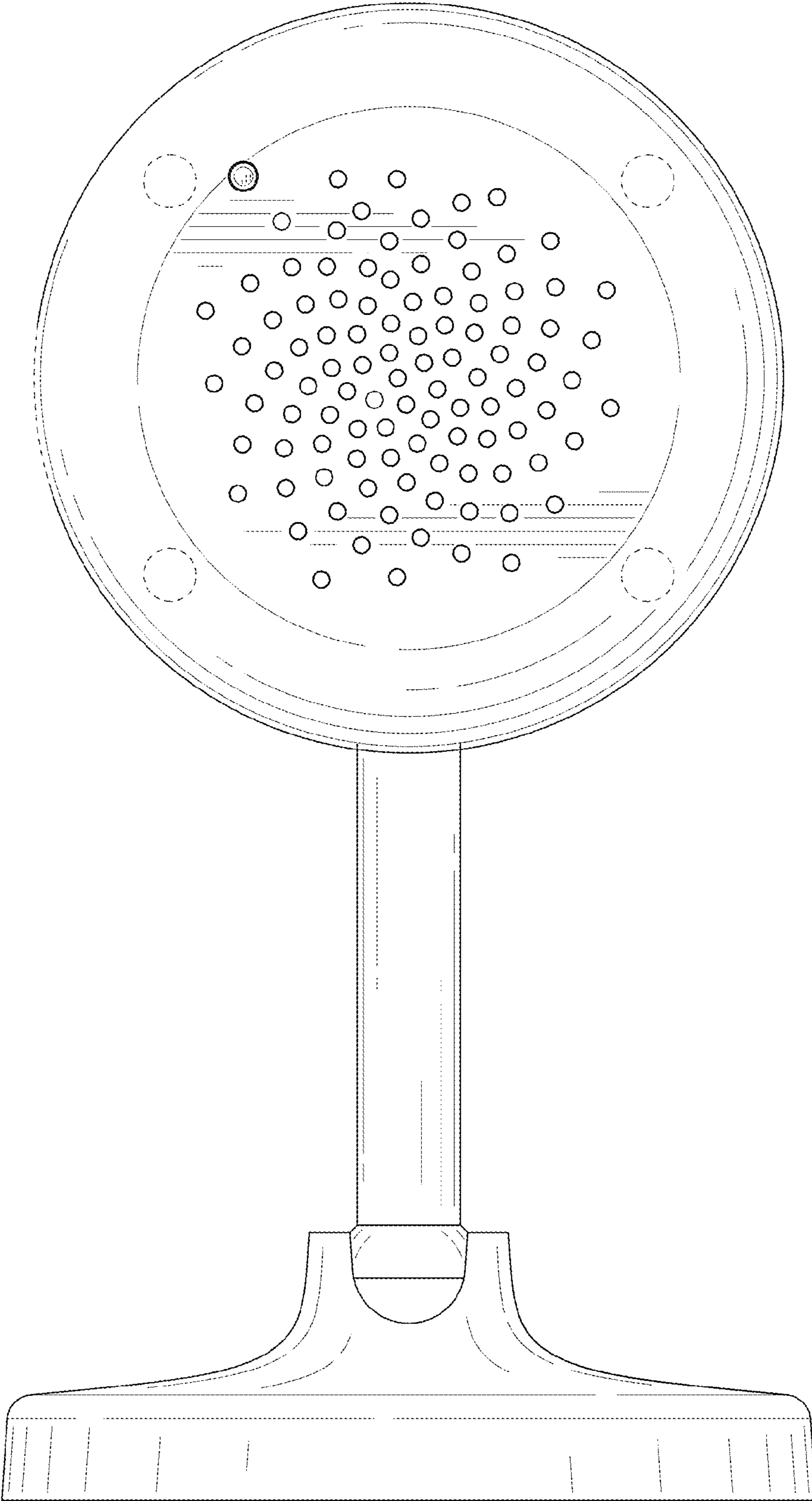


FIG. 4

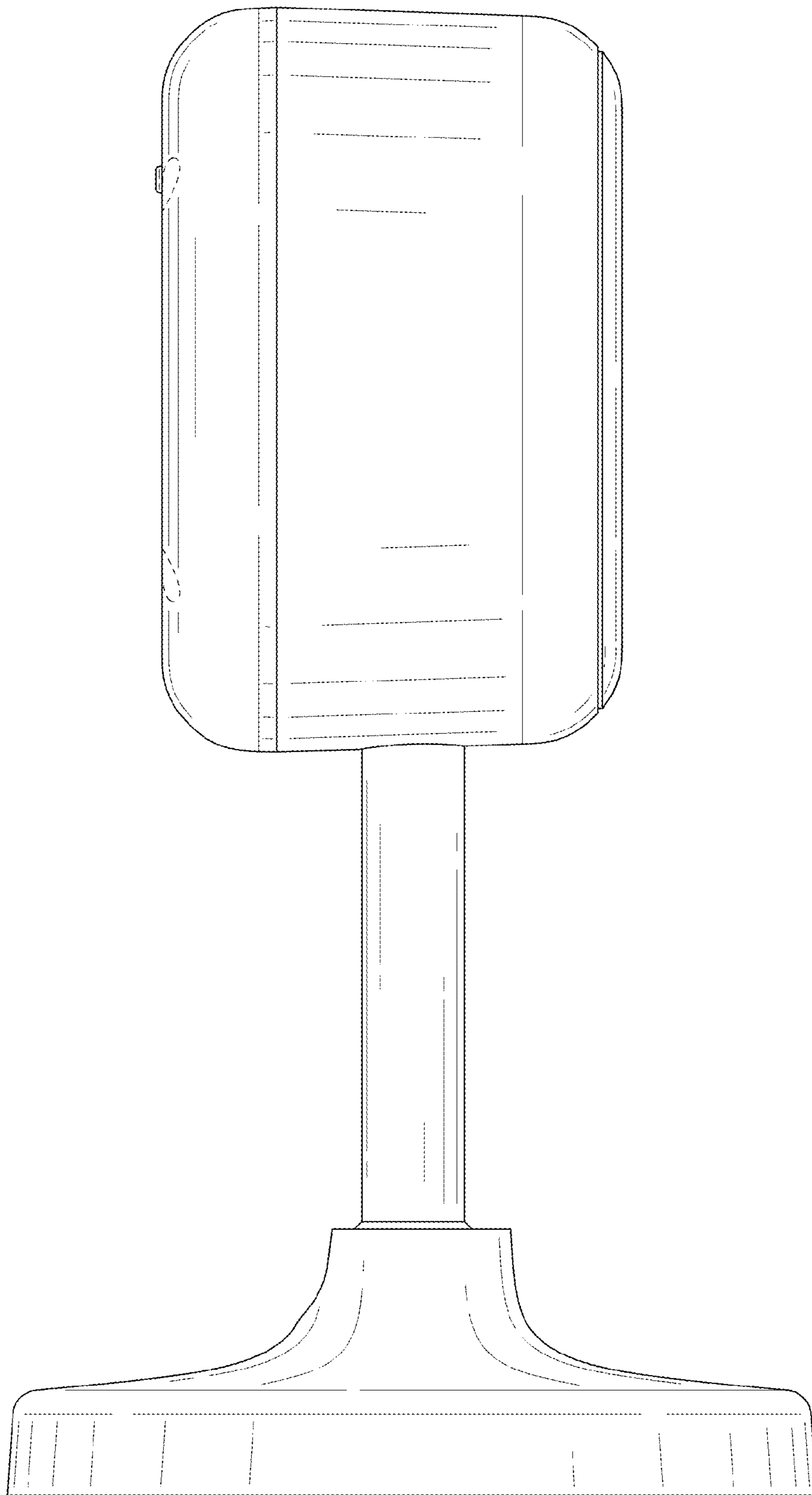


FIG. 5

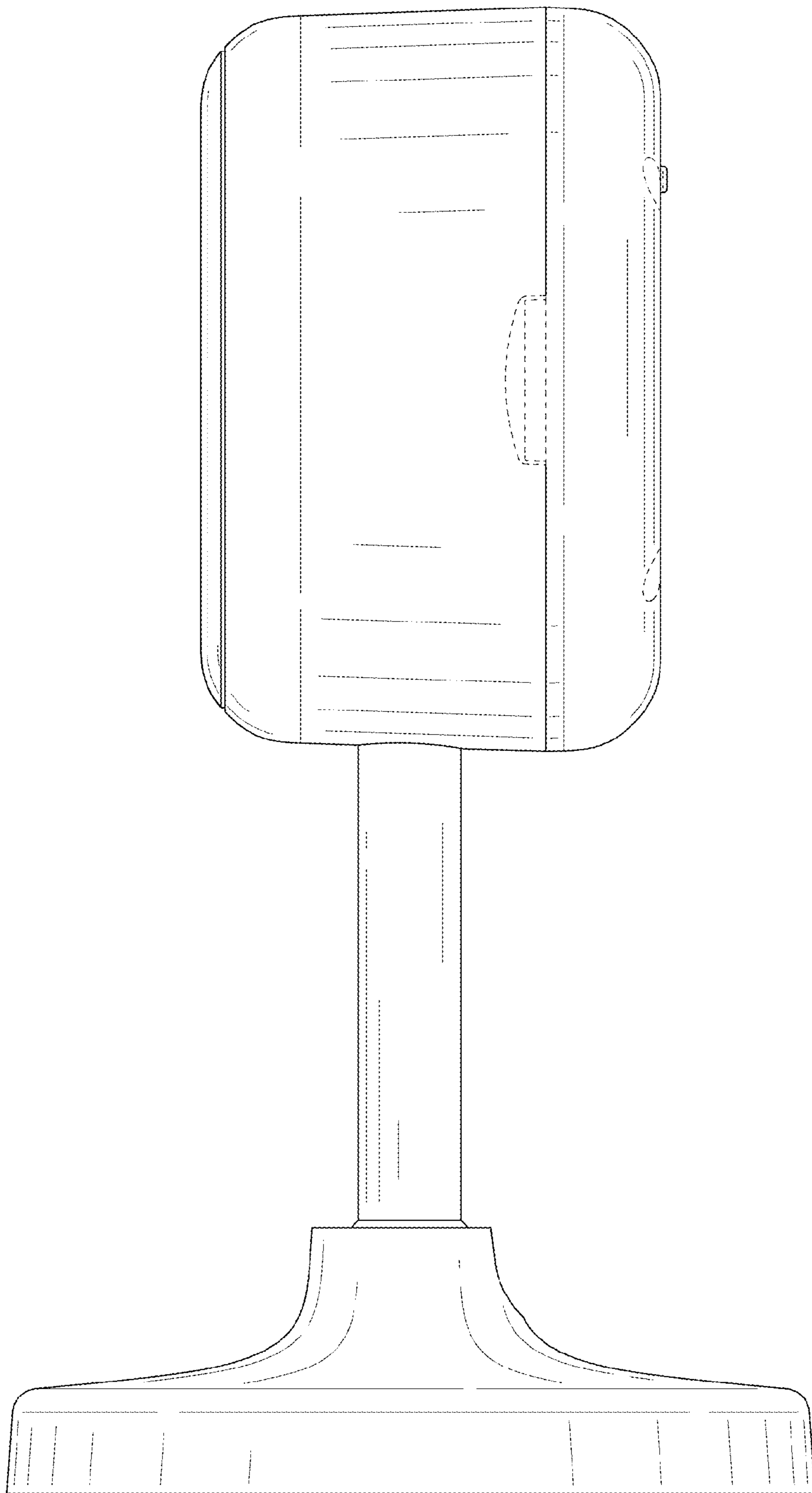


FIG. 6

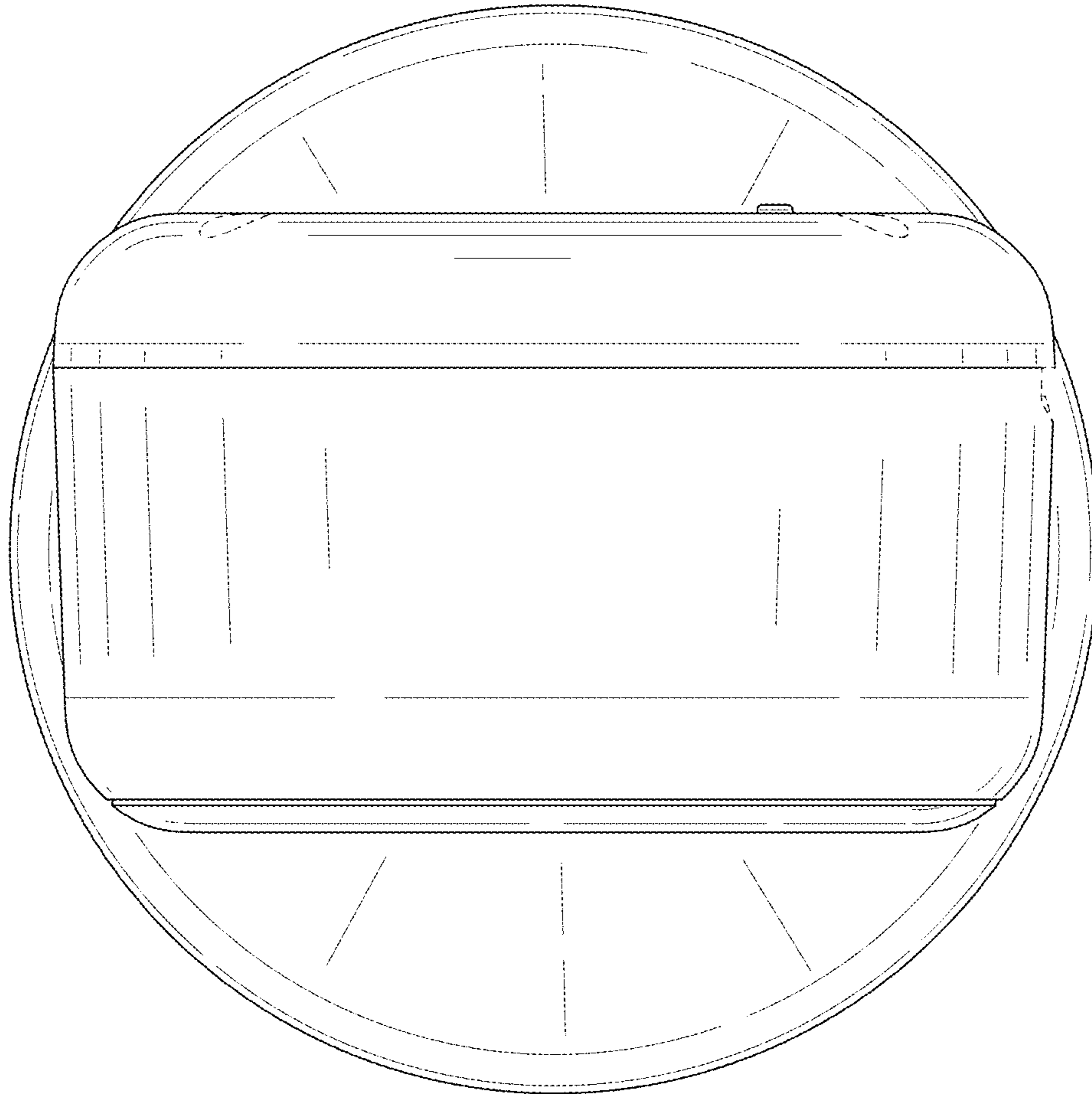


FIG. 7

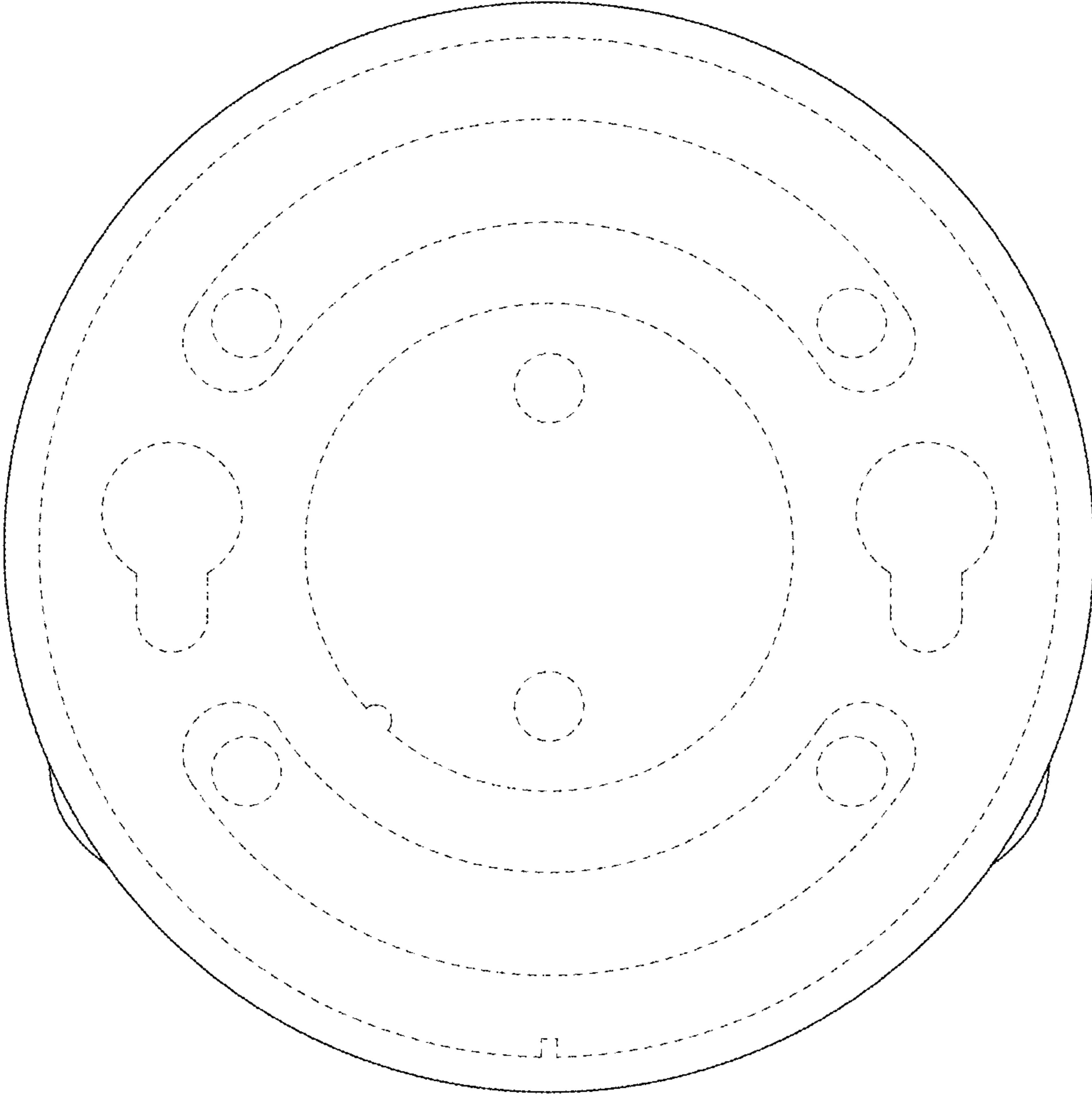


FIG. 8