



US00D952727S

(12) **United States Design Patent**
Hokari

(10) **Patent No.:** **US D952,727 S**

(45) **Date of Patent:** **** May 24, 2022**

(54) **DIGITAL CAMERA**

FOREIGN PATENT DOCUMENTS

(71) Applicant: **Canon Kabushiki Kaisha**, Tokyo (JP)

JP D1656503 * 5/2020
JP D1681451 * 3/2021

(72) Inventor: **Yusuke Hokari**, Tokyo (JP)

OTHER PUBLICATIONS

(73) Assignee: **Canon Kabushiki Kaisha**, Tokyo (JP)

(**) Term: **15 Years**

“Drift Innovation Ghost XL Action Camera—1080 Full HD Video Camera with Rotating Lens and Dash Cam Mode—IPX7 Waterproof Camera—9 Hour Battery Life—12MP Still Photos” from Amazon.com, first available Jun. 18, 2019 from the internet <https://www.amazon.com/Drift-Ghost-XL-Waterproof-Action/dp/B07ST83GKZ/ref=asc_df_B07ST83GKZ/?tag=&linkCode=df0&hvadid=366384189491&hvpos=&hvnetw=g&hvrand=17521566546922710263&hvpone=&hvptwo=&hvqmt=&hvdev=c&hvdvcm1=&hvlocint=&hvlocphy=9061285&hvtargid=pla-816446481273&ref=&adgrpid=75347436479&th=1>(Year: 2019).*

(21) Appl. No.: **29/727,141**

(22) Filed: **Mar. 9, 2020**

(30) **Foreign Application Priority Data**

Sep. 10, 2019 (JP) 2019-020178

(51) **LOC (13) Cl.** **16-01**

(52) **U.S. Cl.**

USPC **D16/203**

(58) **Field of Classification Search**

USPC D16/200–204, 205–211, 212–215,
D16/218–219, 237, 242, 244

CPC G03B 15/03; G03B 15/05; G03B 17/02;
G03B 17/56; G03B 2219/02; H04N
5/2251; H04N 5/2252; H04N 5/2253;
H04N 5/2254; H04N 5/22525; H04N
5/232939; H04N 2101/00

See application file for complete search history.

* cited by examiner

Primary Examiner — Rosemary K Tarcza

Assistant Examiner — Lacey Chey Bowman

(74) *Attorney, Agent, or Firm* — Venable LLP

(57)

CLAIM

The ornamental design for a digital camera, as shown and described.

DESCRIPTION

(56)

References Cited

U.S. PATENT DOCUMENTS

D671,585 S	*	11/2012	Mihara	D16/203
D694,797 S	*	12/2013	Parker	D16/202
D727,391 S	*	4/2015	Schmidt	D16/218
D732,100 S	*	6/2015	Jeong	D16/203
D736,293 S	*	8/2015	Schmidt	D16/203
D792,919 S	*	7/2017	Ryu	D16/218
D833,502 S	*	11/2018	Asakawa	D16/203
D869,540 S	*	12/2019	Huang	D16/202
D884,767 S	*	5/2020	Calik	D16/202
D896,861 S	*	9/2020	Hokari	D16/200

FIG. 1 is a front view of a digital camera showing my new design;

FIG. 2 is a rear view thereof;

FIG. 3 is a top plan view thereof;

FIG. 4 is a bottom plan view thereof;

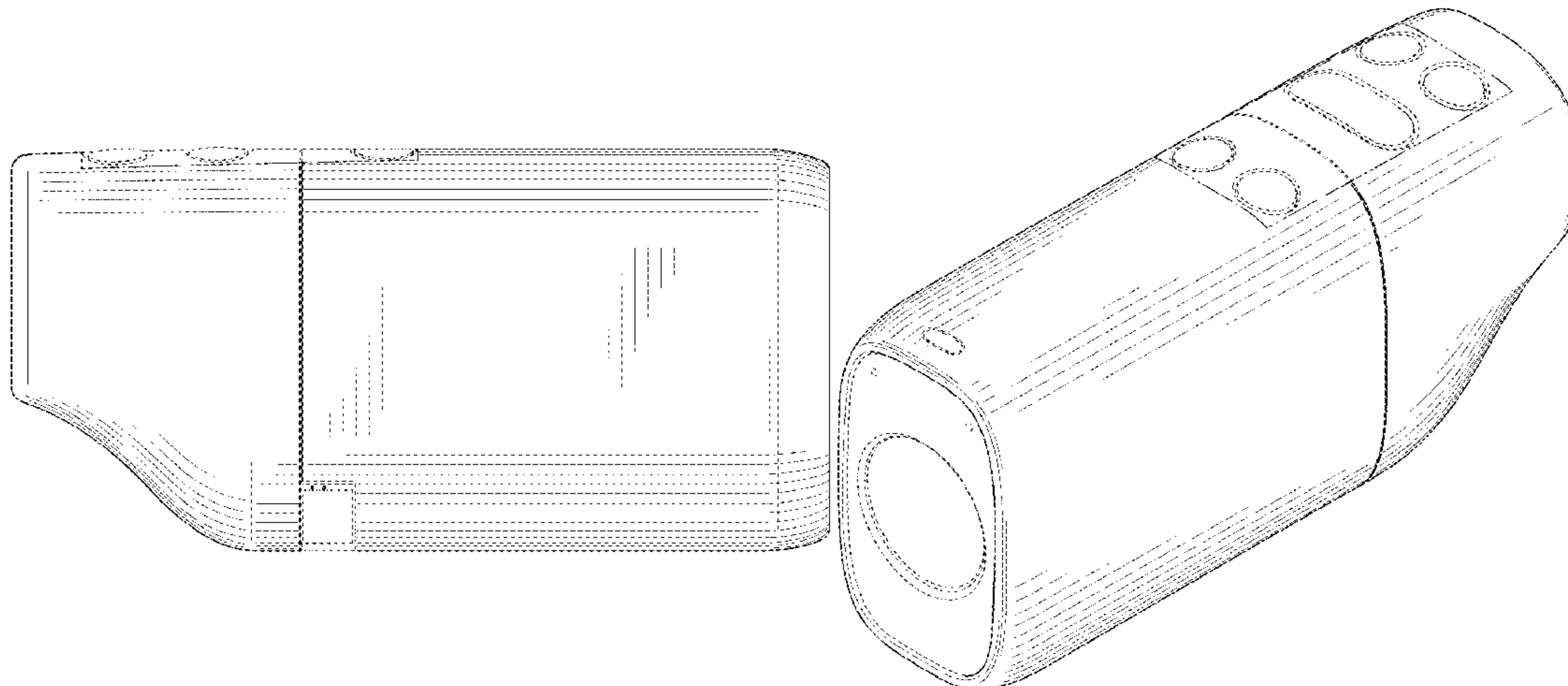
FIG. 5 is a left side view thereof;

FIG. 6 is a right side view thereof; and,

FIG. 7 is a perspective view thereof.

The dash-dotted broken lines in the drawings define the bounds of the claimed design. The evenly spaced broken

(Continued)



lines show portions of the digital camera that form no part of the claimed design. All broken lines form no part of the claimed design.

1 Claim, 7 Drawing Sheets

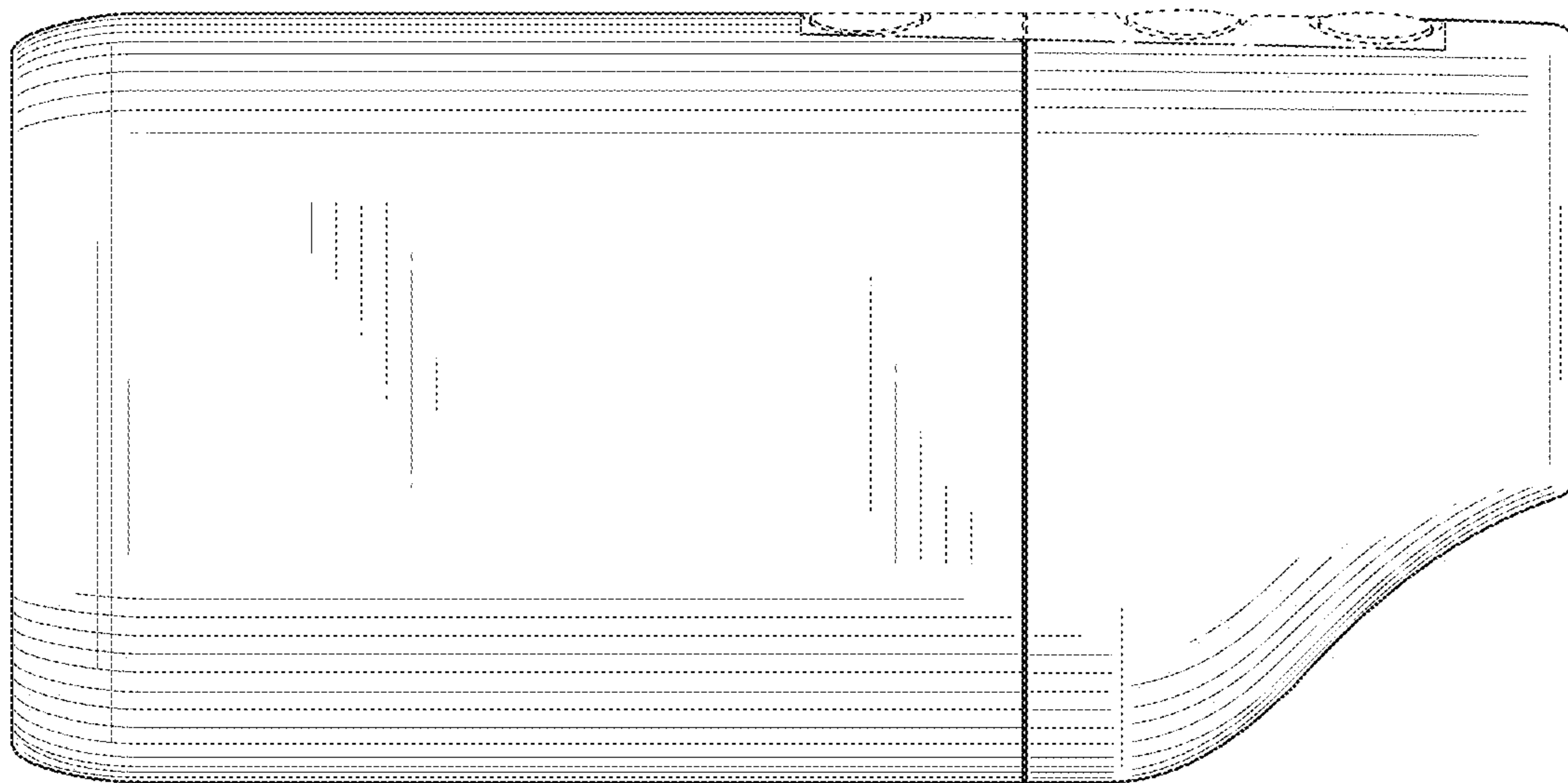


Fig. 1

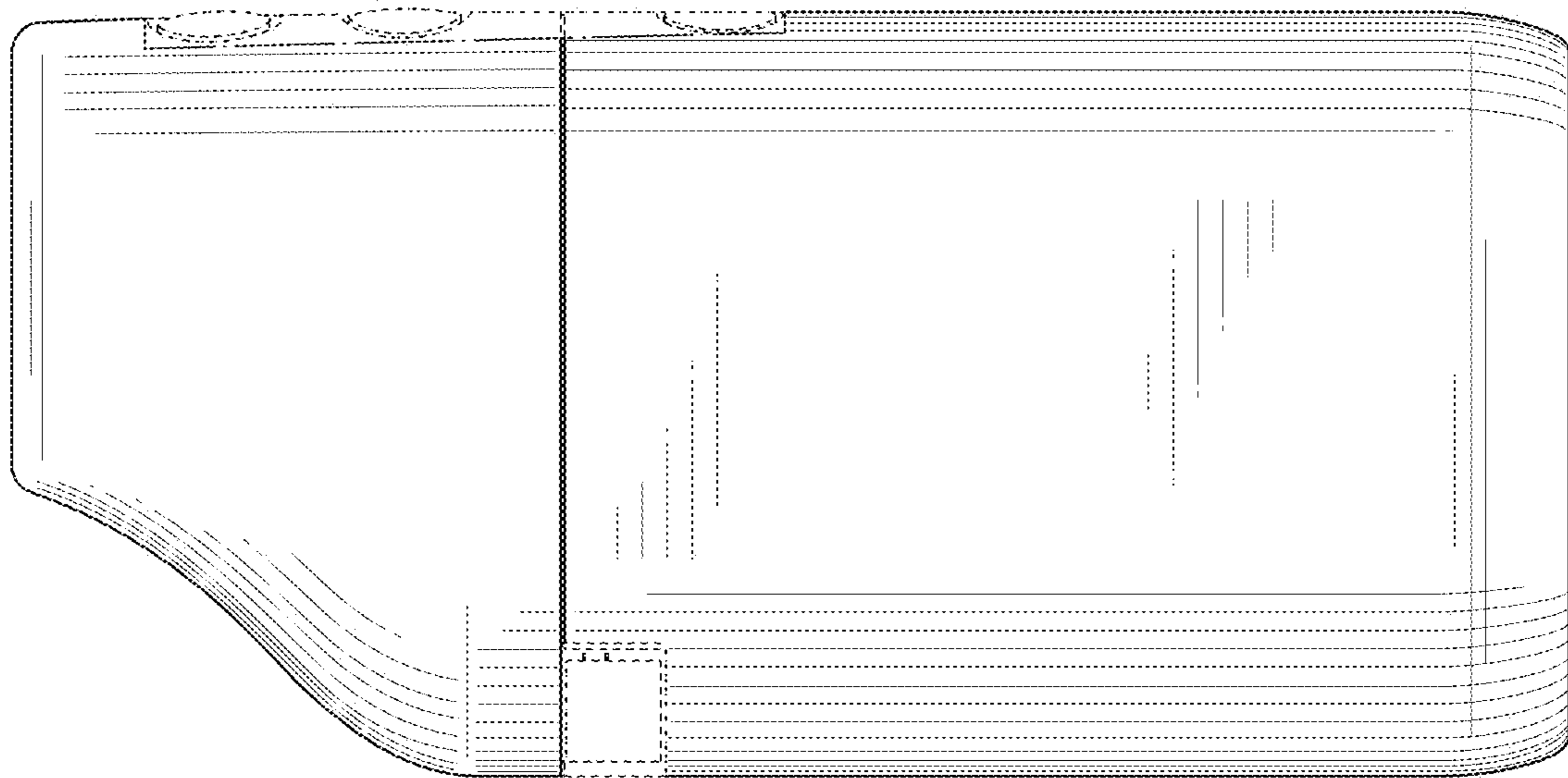


Fig. 2

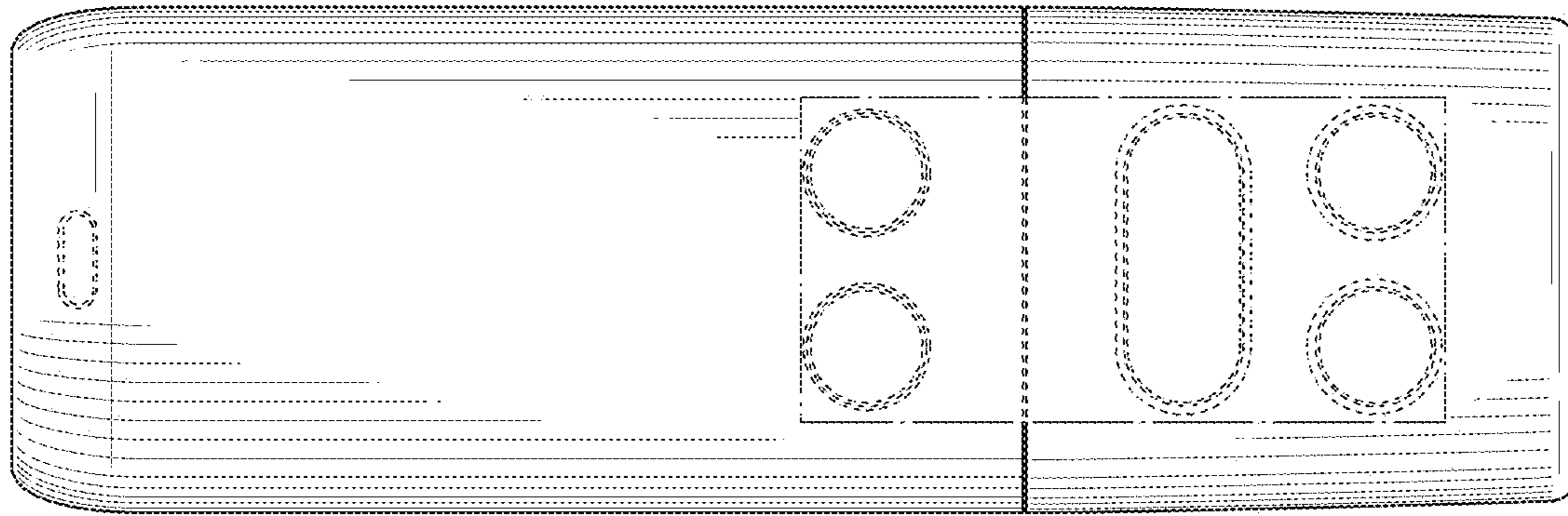


Fig. 3

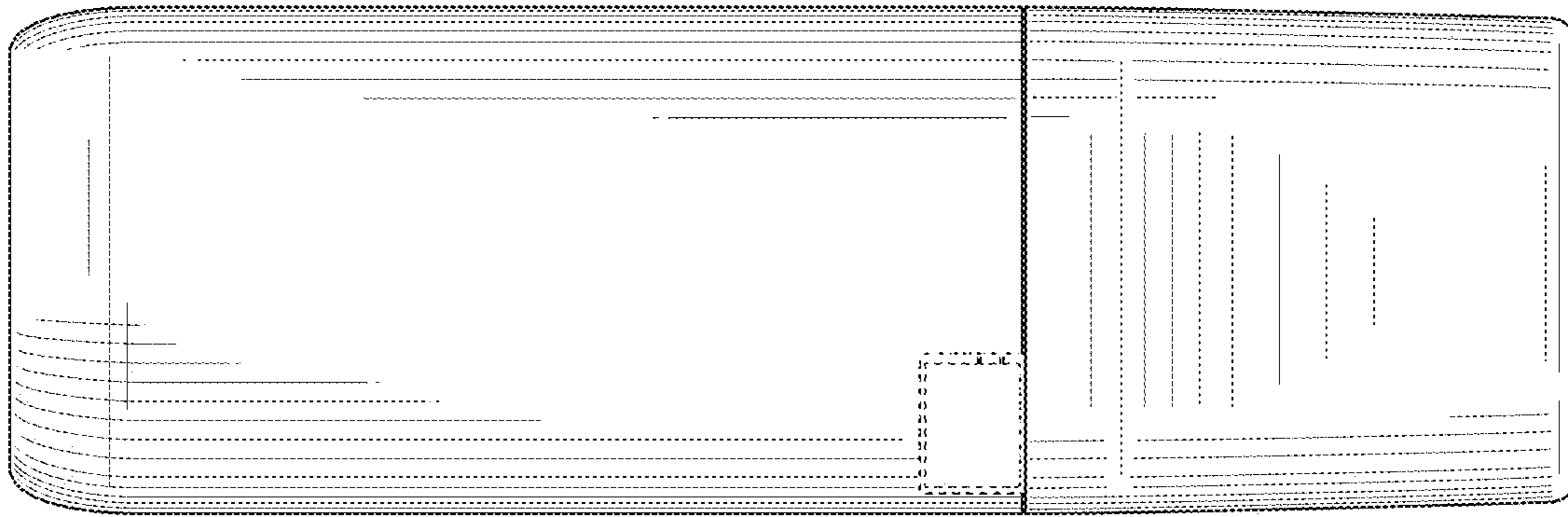


Fig. 4

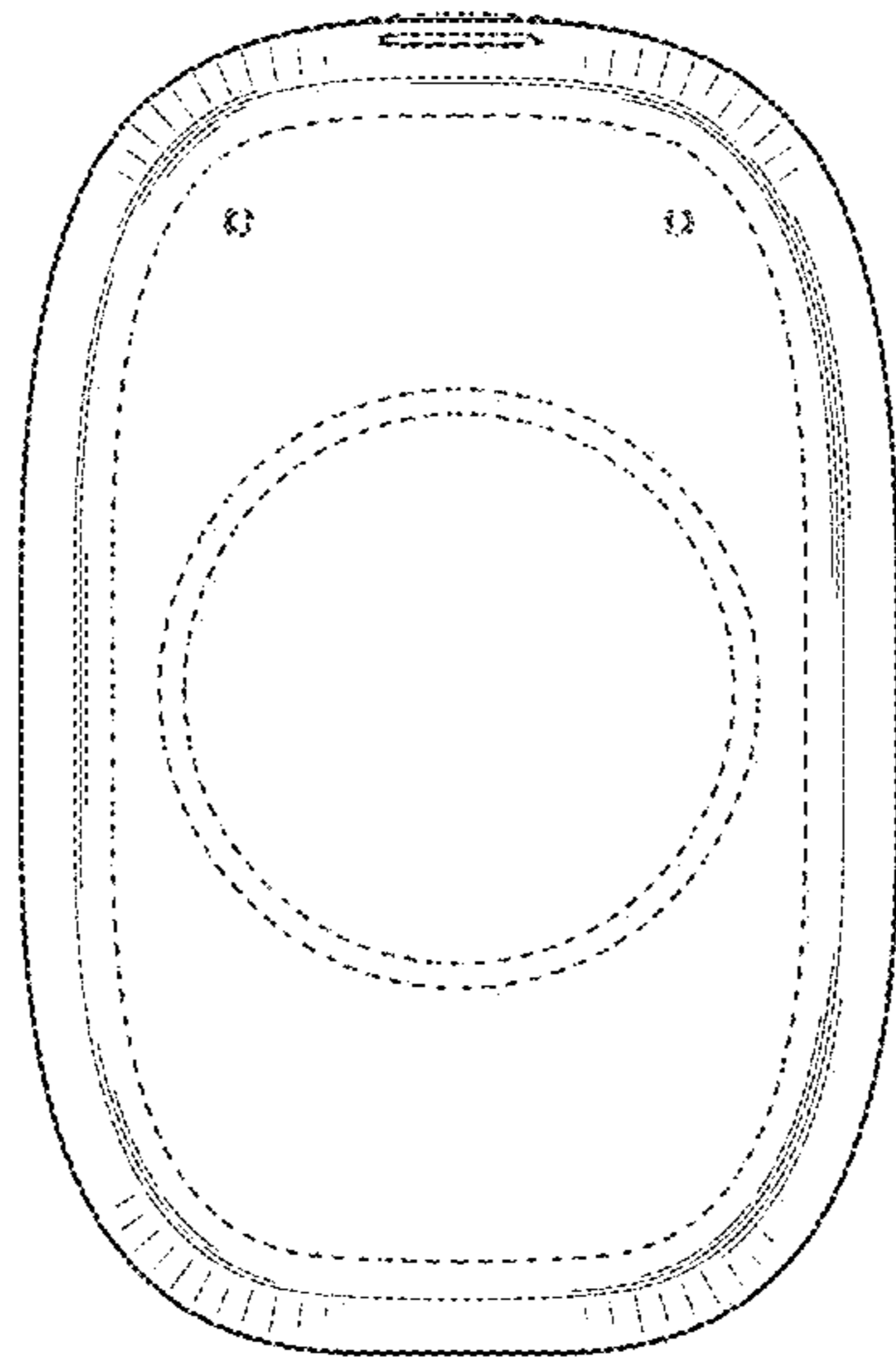


Fig. 5

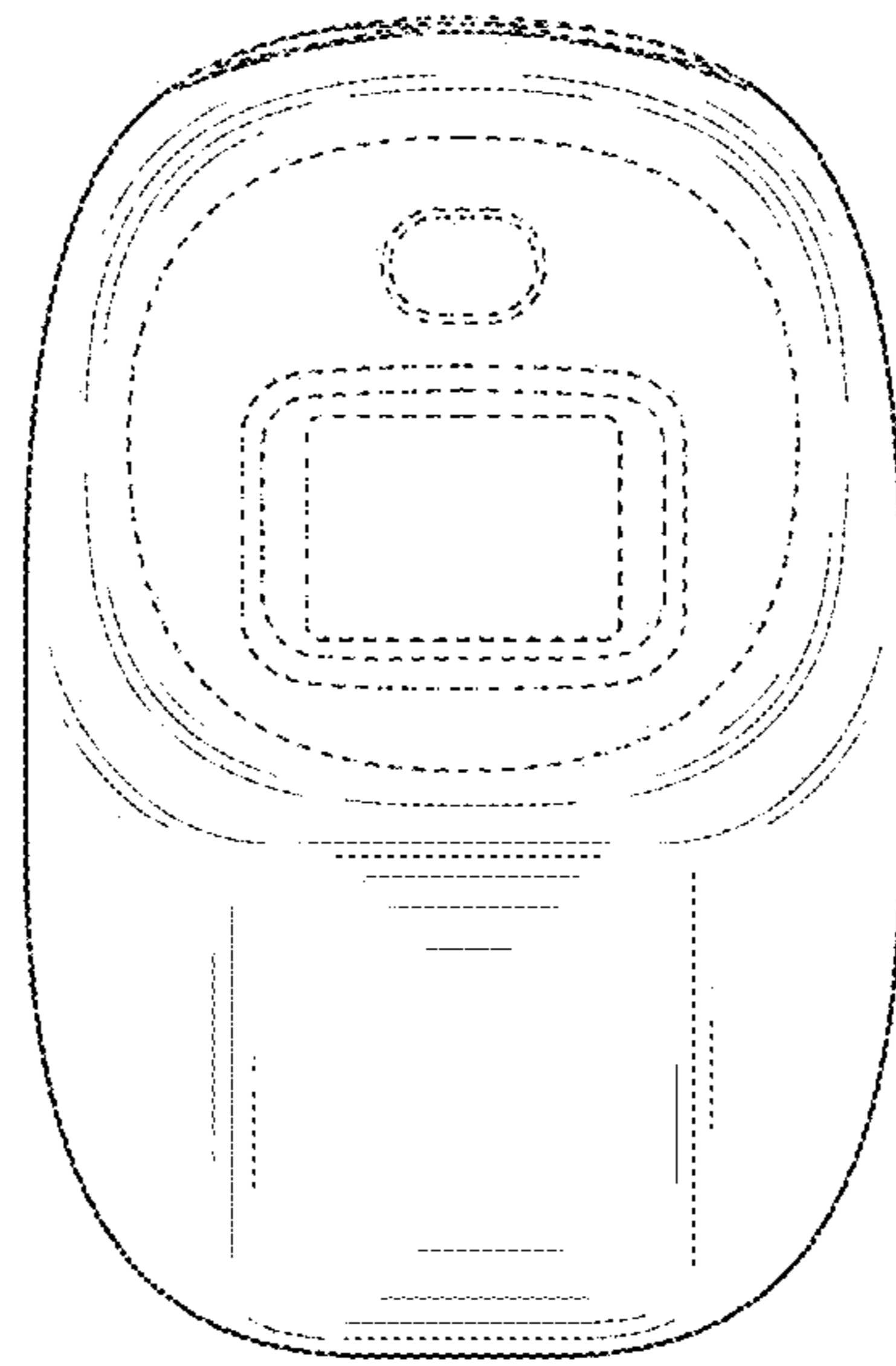


Fig. 6

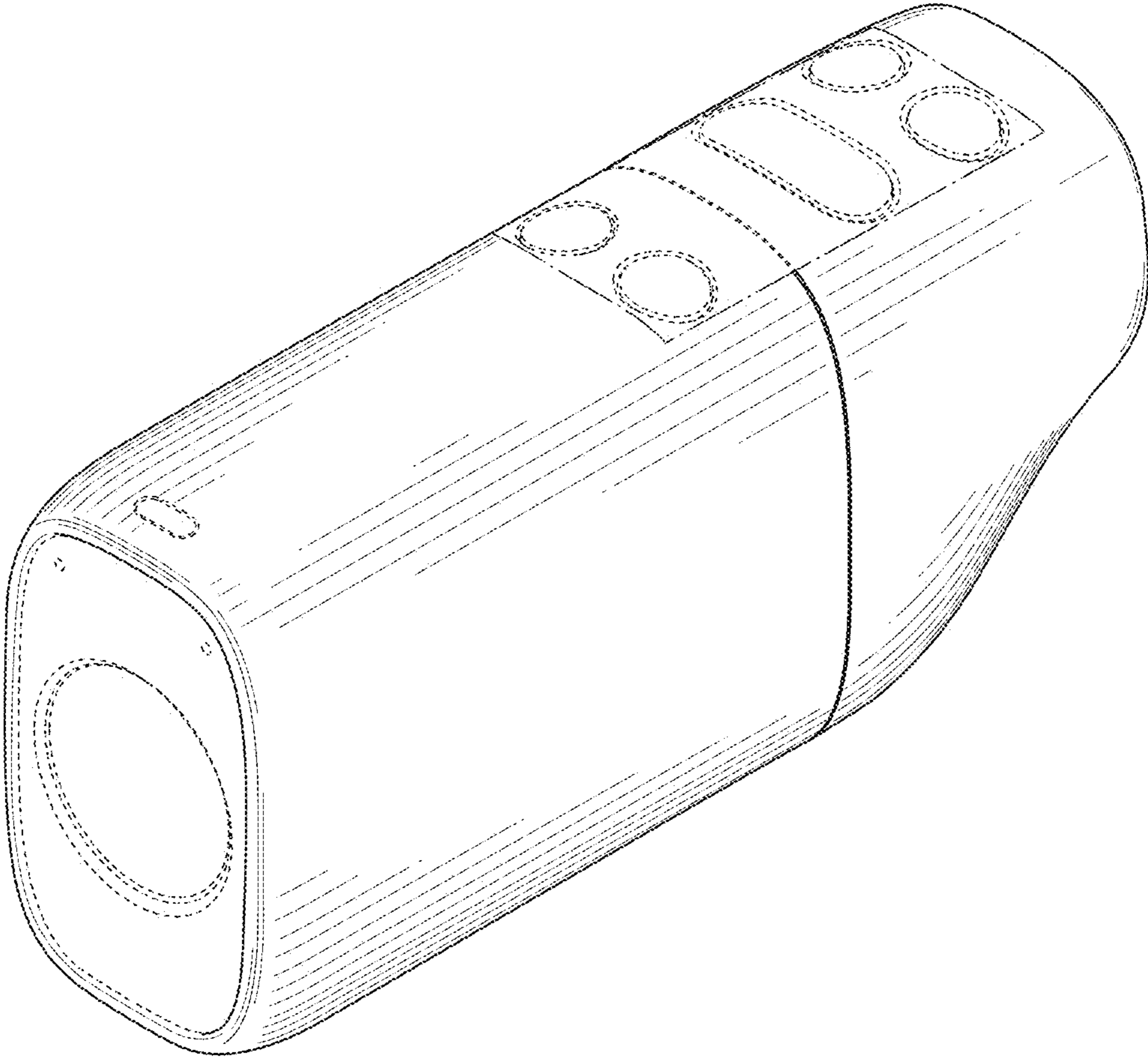


Fig. 7