



US00D952725S

(12) **United States Design Patent** (10) **Patent No.:** **US D952,725 S**
Wang (45) **Date of Patent:** **** May 24, 2022**

(54) **SCREEN MAGNIFIER FOR SMARTPHONE**

(71) Applicant: **Shunna Wang**, Shantou (CN)

(72) Inventor: **Shunna Wang**, Shantou (CN)

(**) Term: **15 Years**

(21) Appl. No.: **29/715,338**

(22) Filed: **Dec. 2, 2019**

(51) **LOC (13) Cl.** **16-06**

(52) **U.S. Cl.**
USPC **D16/135**

(58) **Field of Classification Search**
USPC D10/70, 109.1, 109.2; D16/134, 130,
D16/131, 132, 135, 136, 202–208, 245,
D16/219; D24/120, 113, 118, 119, 121,
D24/122, 124, 125, 128

CPC ... G01C 3/00; G01C 3/02; G01C 3/04; G01C
3/06; G01C 3/08; G01C 3/085; G01C
3/10; G01C 3/12; G01C 3/16; G01C
3/18; G01C 3/20; G01C 3/22; G01C
3/24; G01C 3/26; G01C 3/28; G01C
3/30; G01C 3/32; B60Q 1/04; B60Q
1/26; F21S 8/026; F21S 8/04; F21V
29/004; F21V 21/02; F21V 21/04; F21V
29/2212; F21Y 2101/02; G02B 27/026;
G02B 23/16; G02B 2003/0093; G02B
3/04; G02B 27/02; G02B 27/021; G02B
27/025; G02B 27/027; G02B 27/04; H04J
11/00; H04J 13/00; E06B 9/24; G03B
17/02; C03B 2215/46

See application file for complete search history.

(56) **References Cited**

U.S. PATENT DOCUMENTS

D502,199 S * 2/2005 Imai D16/200
D613,782 S * 4/2010 Lager D16/135

D629,433 S * 12/2010 Holland D16/135
D633,541 S * 3/2011 Khubani D16/135
D658,697 S * 5/2012 Jim D16/135
D668,700 S * 10/2012 Jim D16/135
D776,736 S * 1/2017 Aquino D16/135
D820,987 S * 6/2018 Tam D24/163
D884,045 S * 5/2020 Lin D16/135
D887,470 S * 6/2020 Gelesz D16/130
D894,989 S * 9/2020 Hong D16/135
D901,568 S * 11/2020 Huang D16/135
2014/0247600 A1 * 9/2014 Tanahashi H01L 51/524
362/307

* cited by examiner

Primary Examiner — Richard Kearney
Assistant Examiner — Benjamin M Weeks

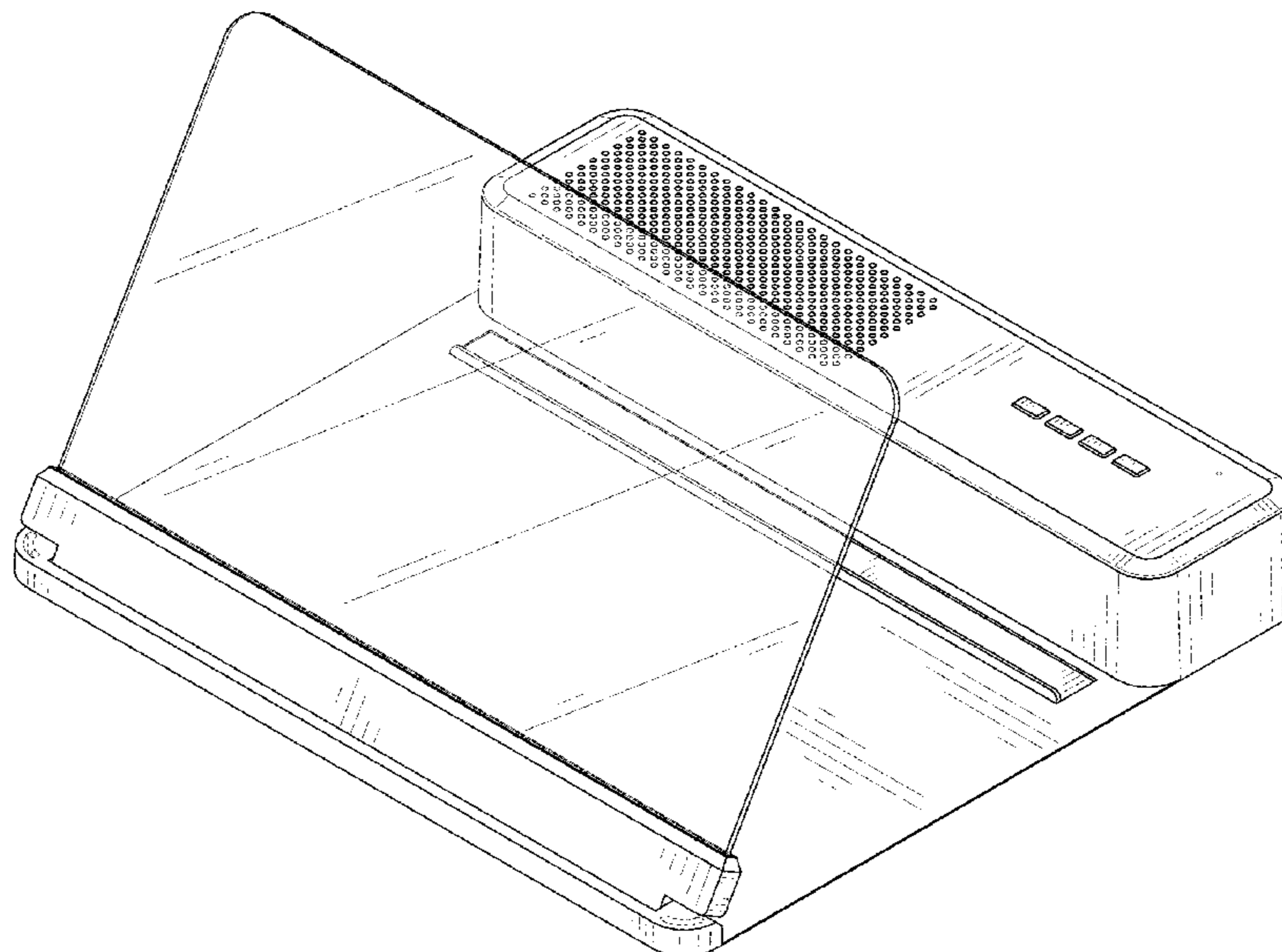
(57) **CLAIM**

The ornamental design for a screen magnifier for smart-
phone, as shown and described.

DESCRIPTION

FIG. 1 is a front and top perspective view of a screen magnifier for smartphone, showing my new design; FIG. 2 is a rear and top perspective view thereof; FIG. 3 is a front elevational view thereof; FIG. 4 is a rear elevational view thereof; FIG. 5 is a left side elevational view thereof; FIG. 6 is a right side elevational view thereof; FIG. 7 is a top plan view thereof; FIG. 8 is a bottom plan view thereof; FIG. 9 is a perspective view of the screen magnifier for smartphone shown in a condition of use; FIG. 10 is a perspective view of a screen magnifier for smartphone shown in an environment of use; and, FIG. 11 is an enlarged view of a portion indicated in FIG. 2. The broken lines in the figures depict portions of the screen magnifier for smartphone and environmental structure that form no part of the claimed design.

1 Claim, 11 Drawing Sheets



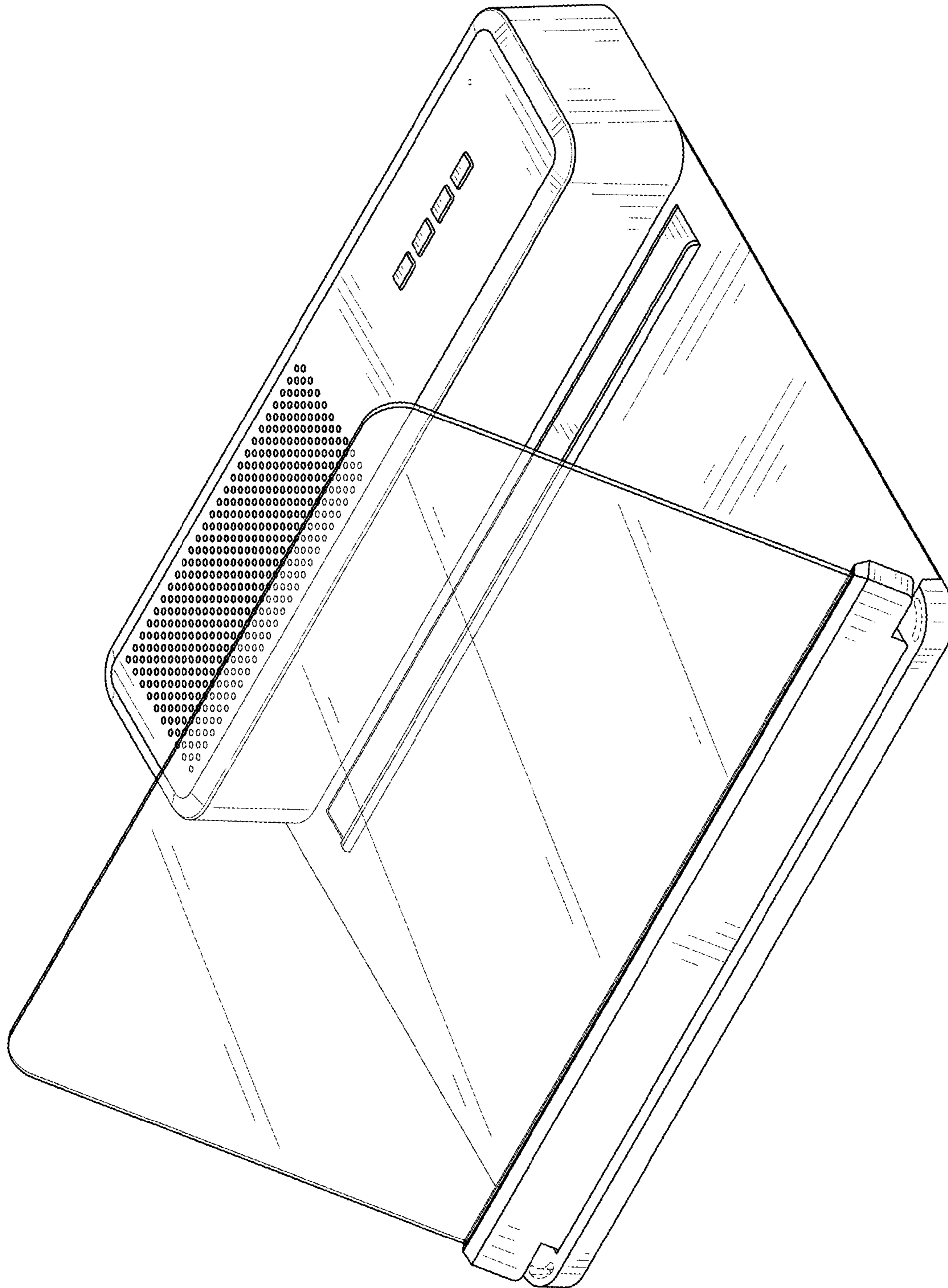


FIG. 1

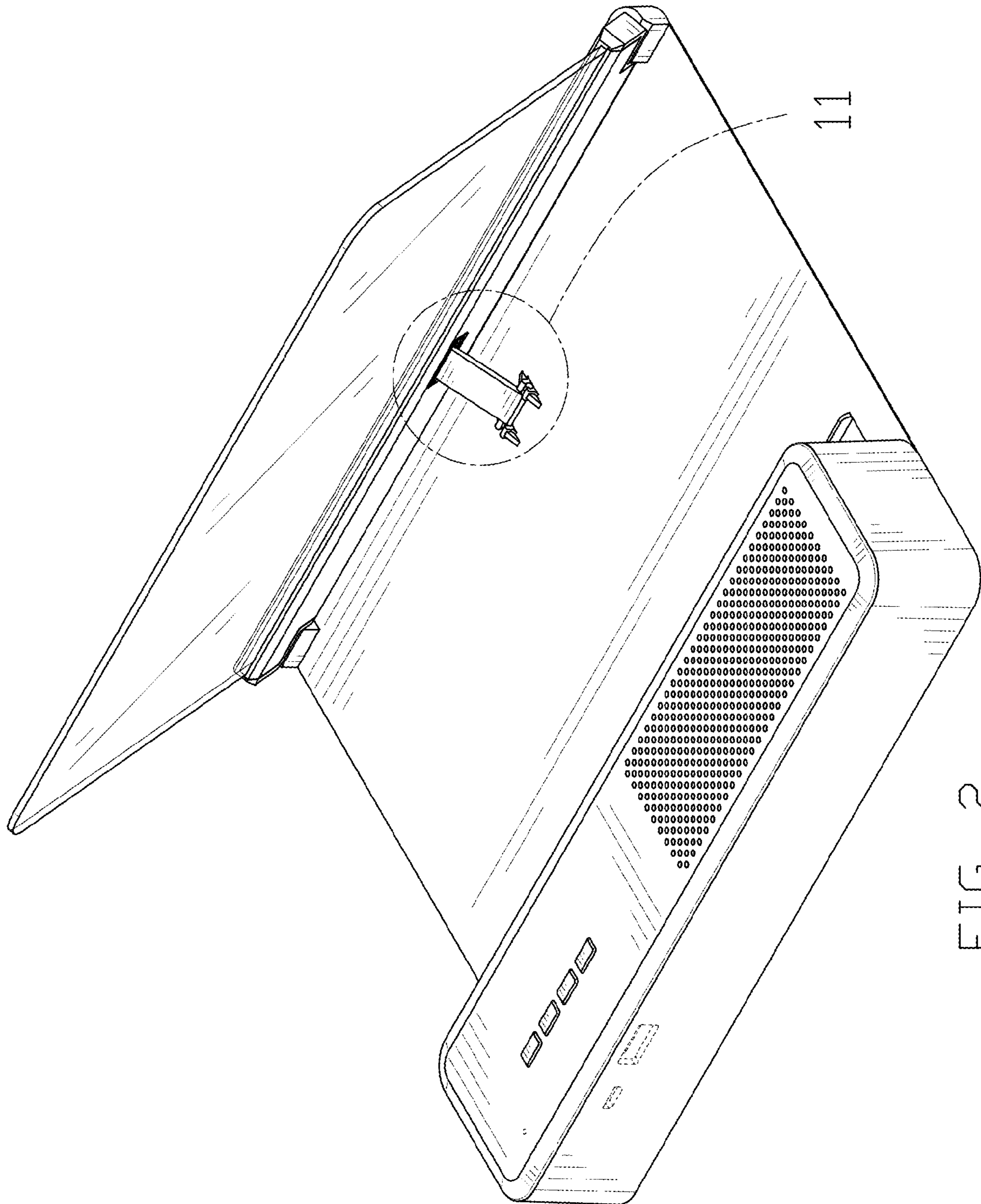


FIG. 2

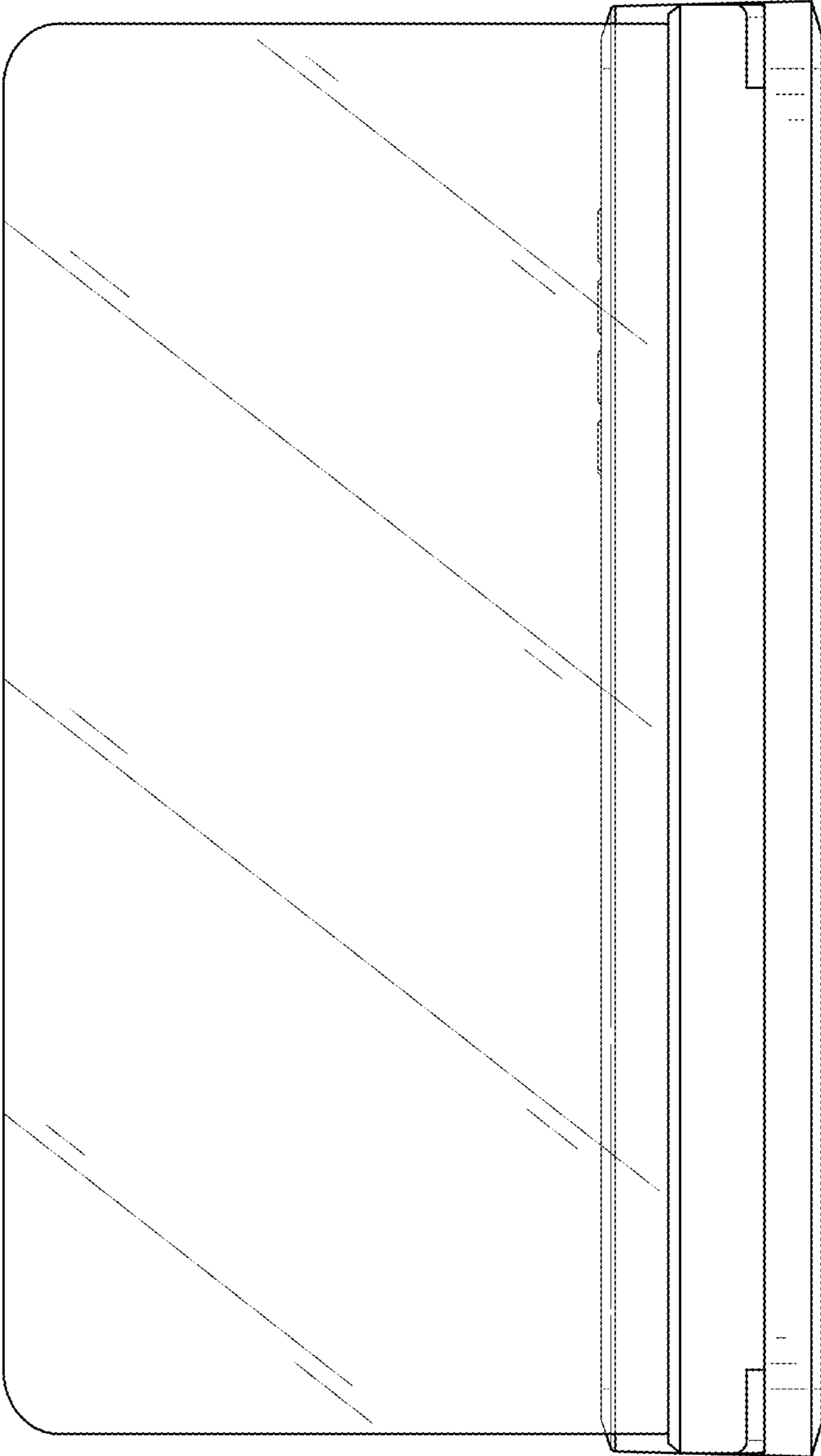


FIG. 3

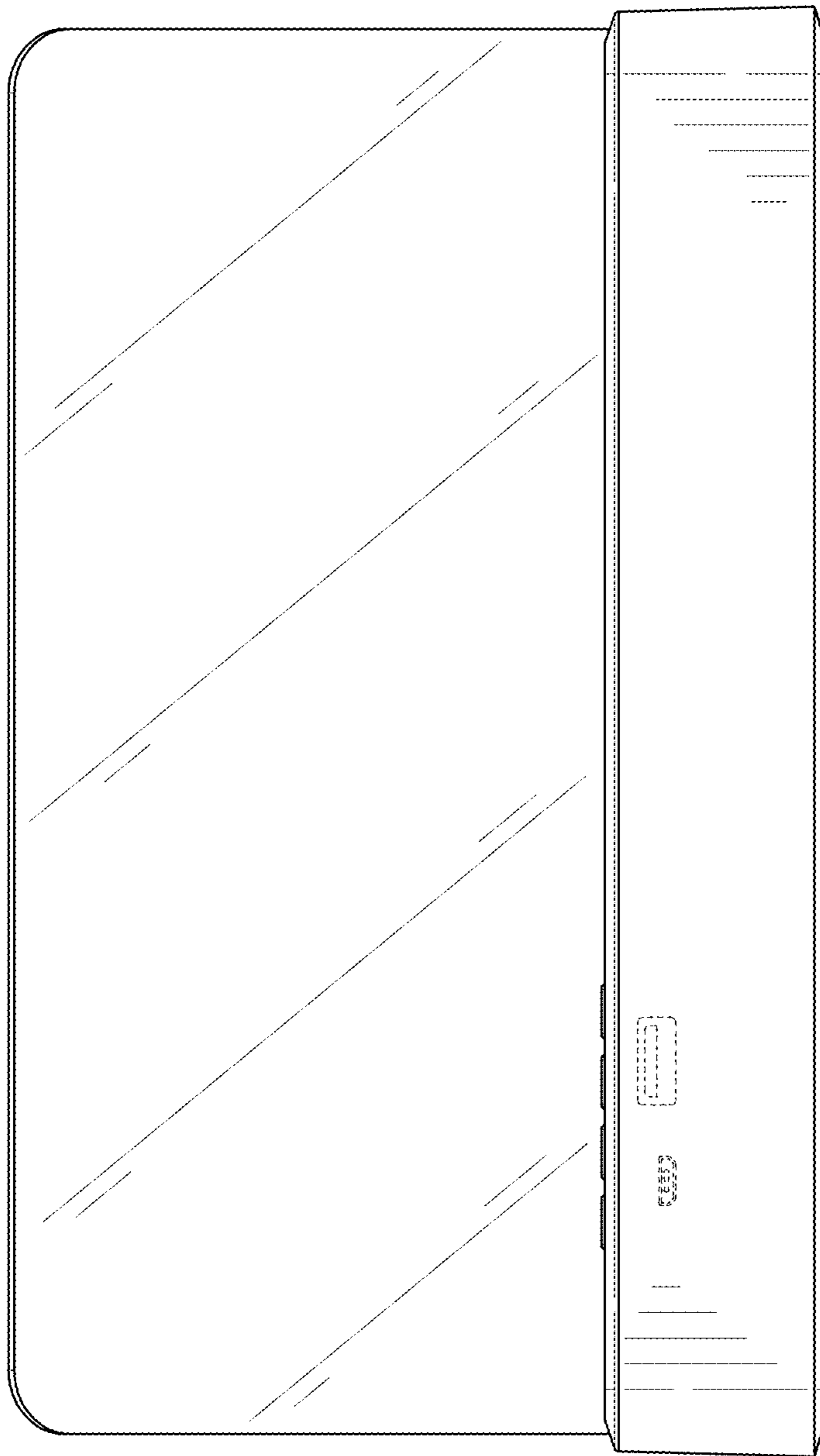


FIG. 4

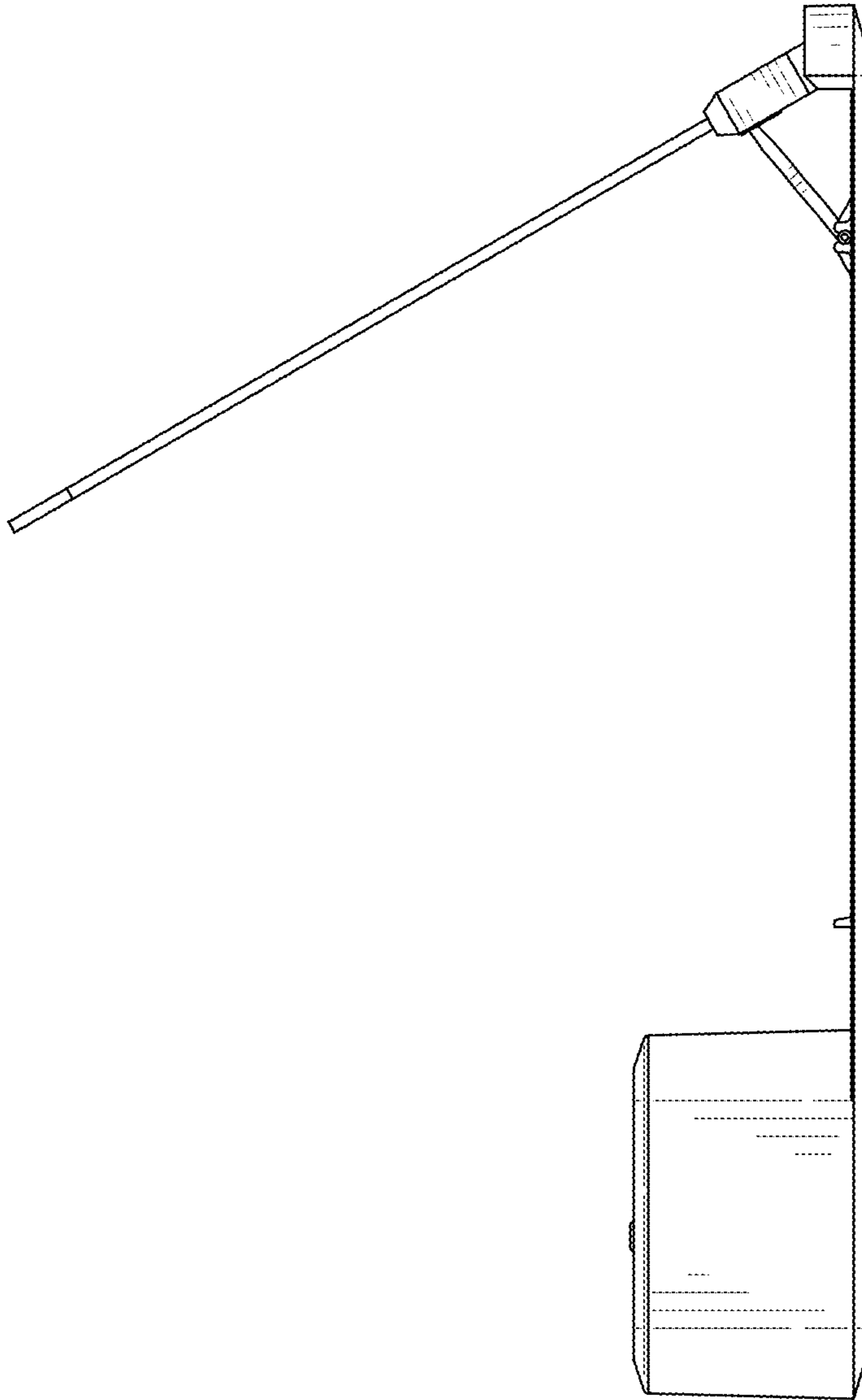


FIG. 5

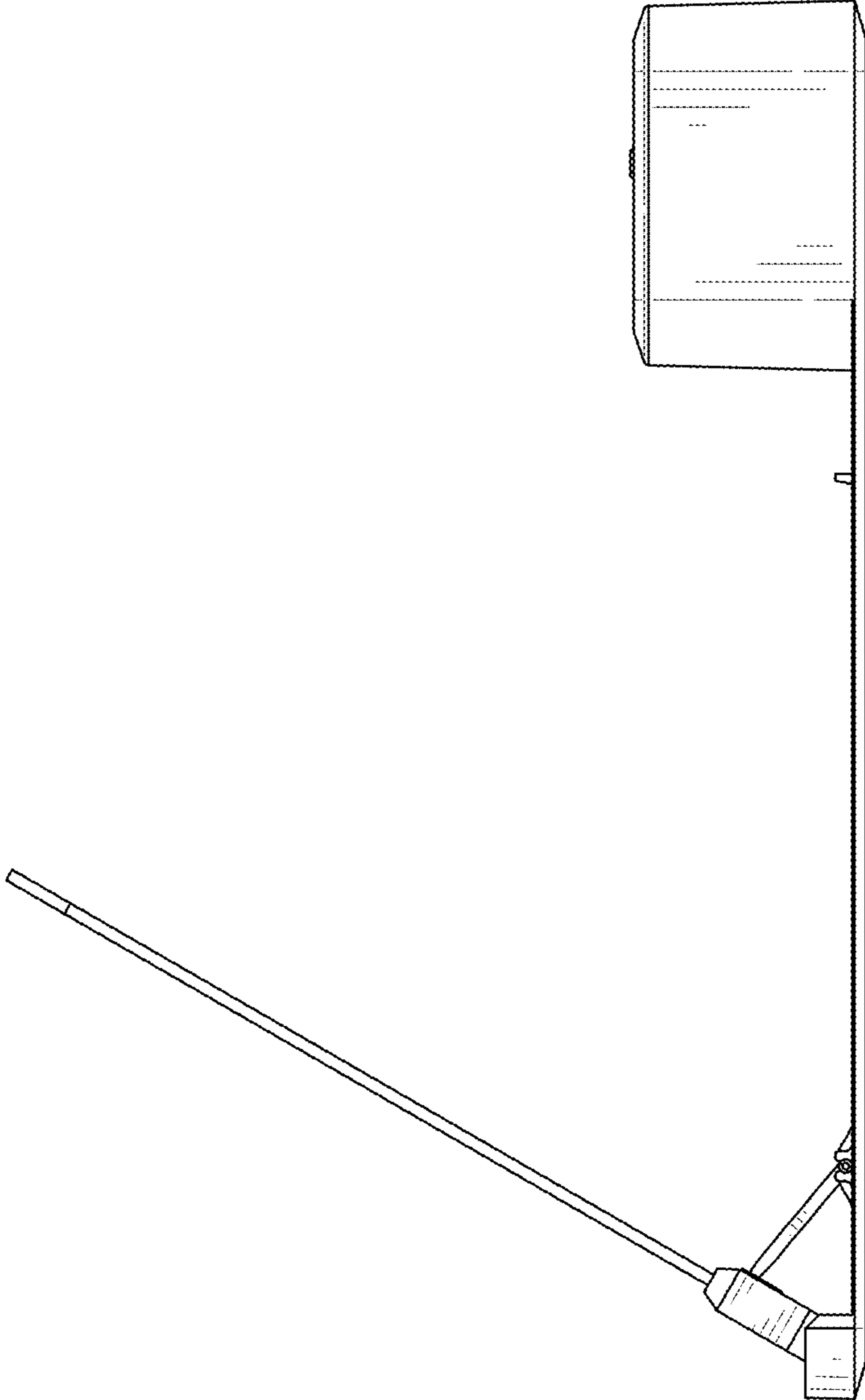


FIG. 6

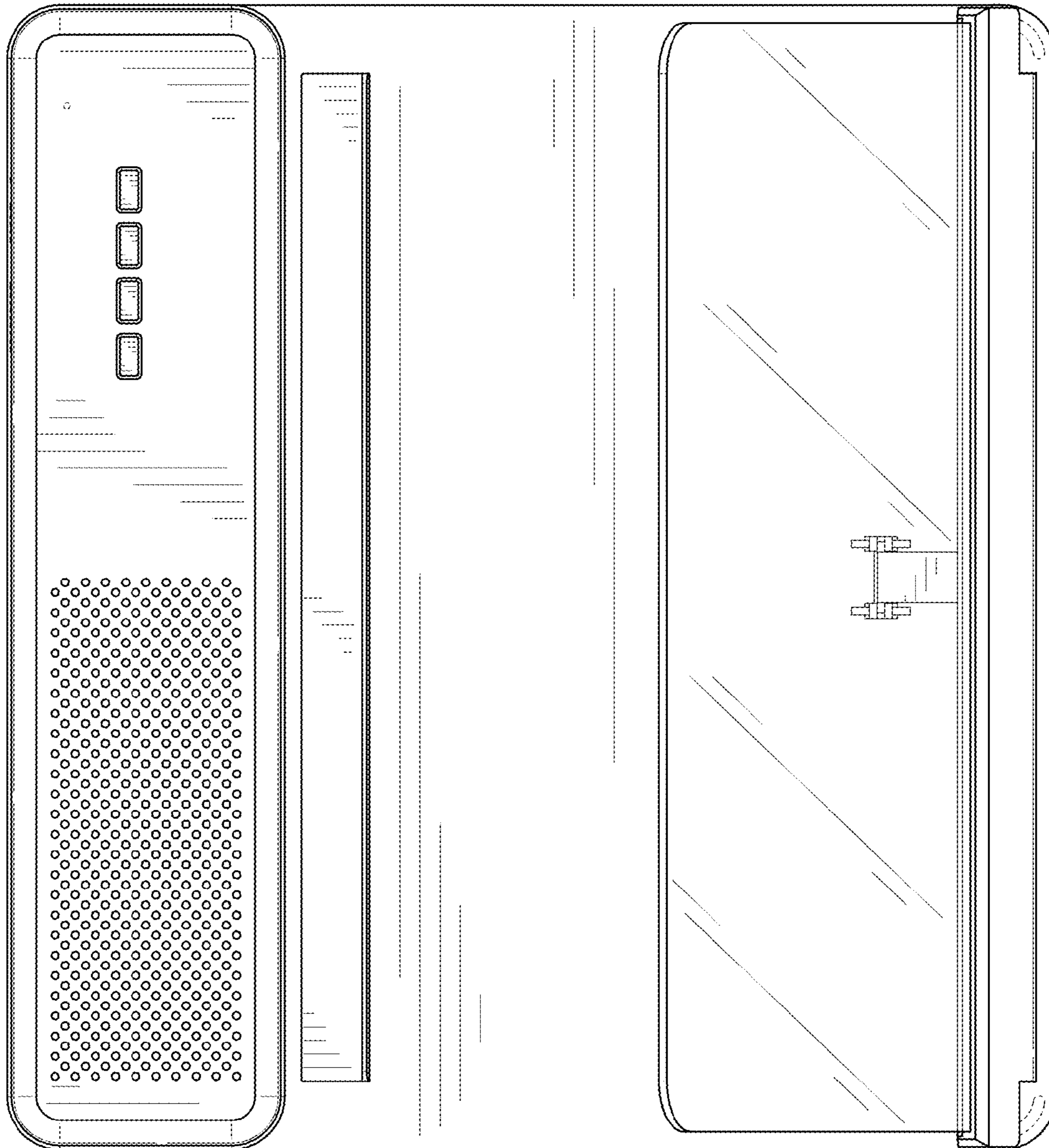


FIG. 7

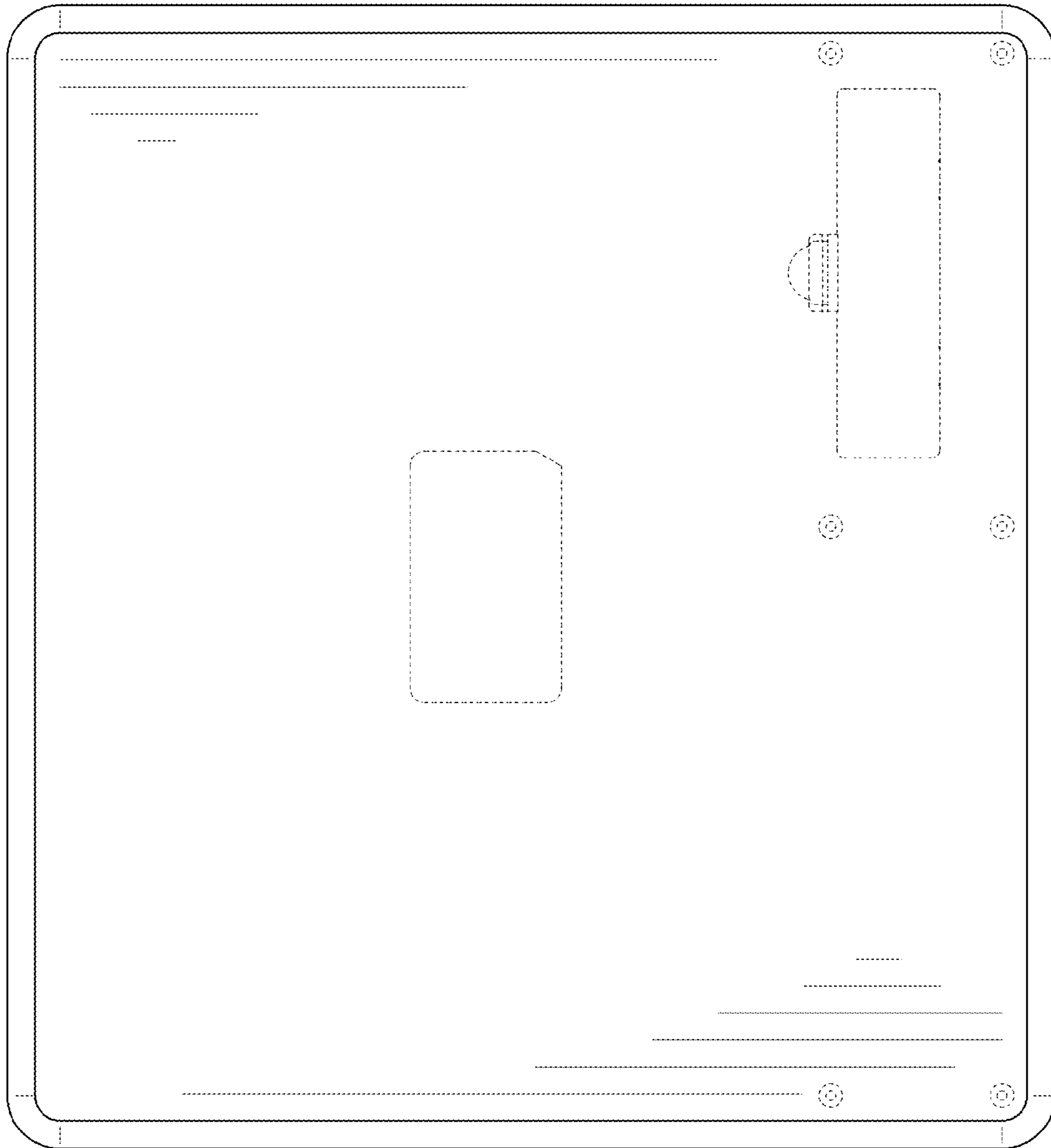


FIG. 8

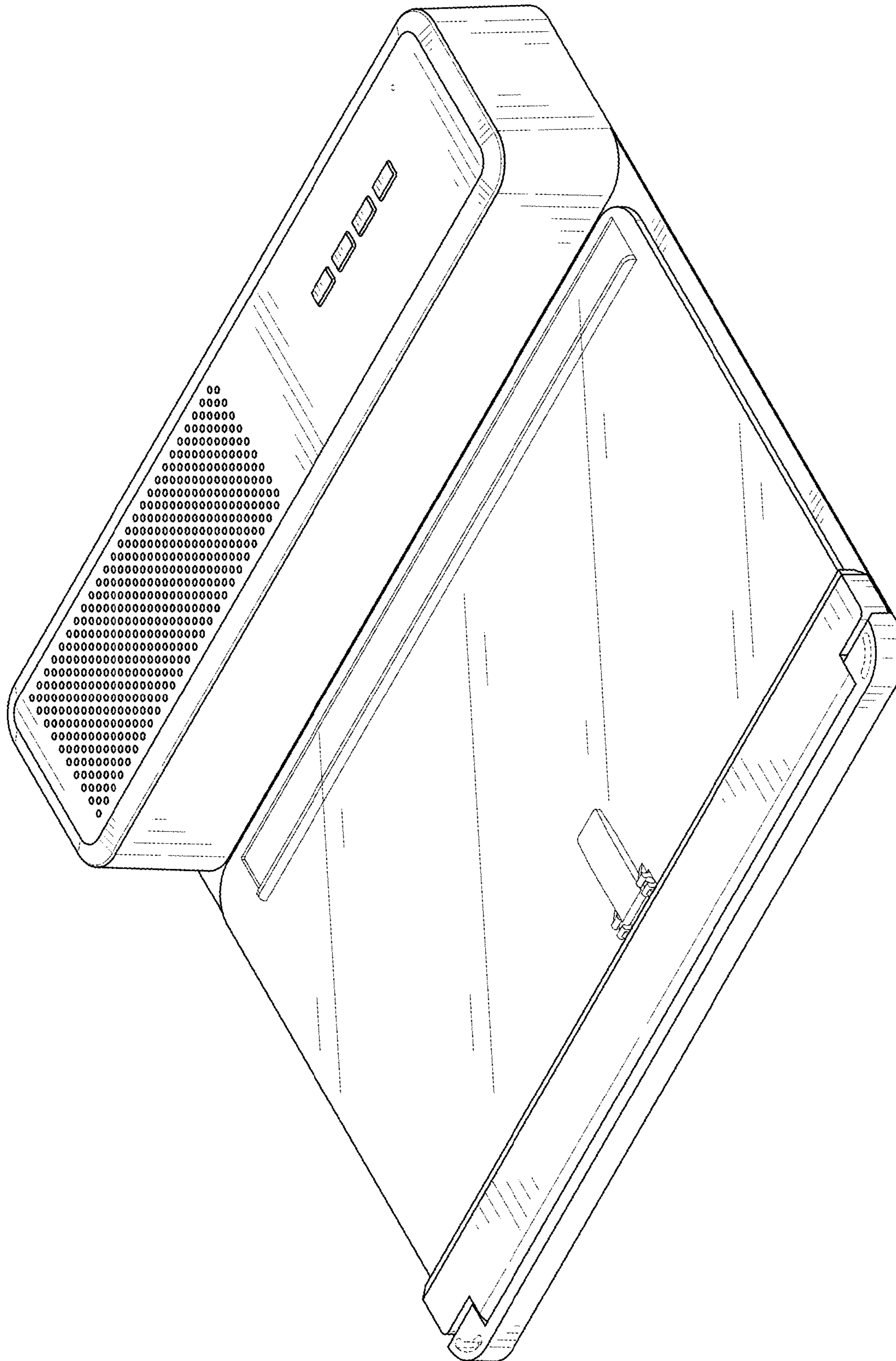


FIG. 9

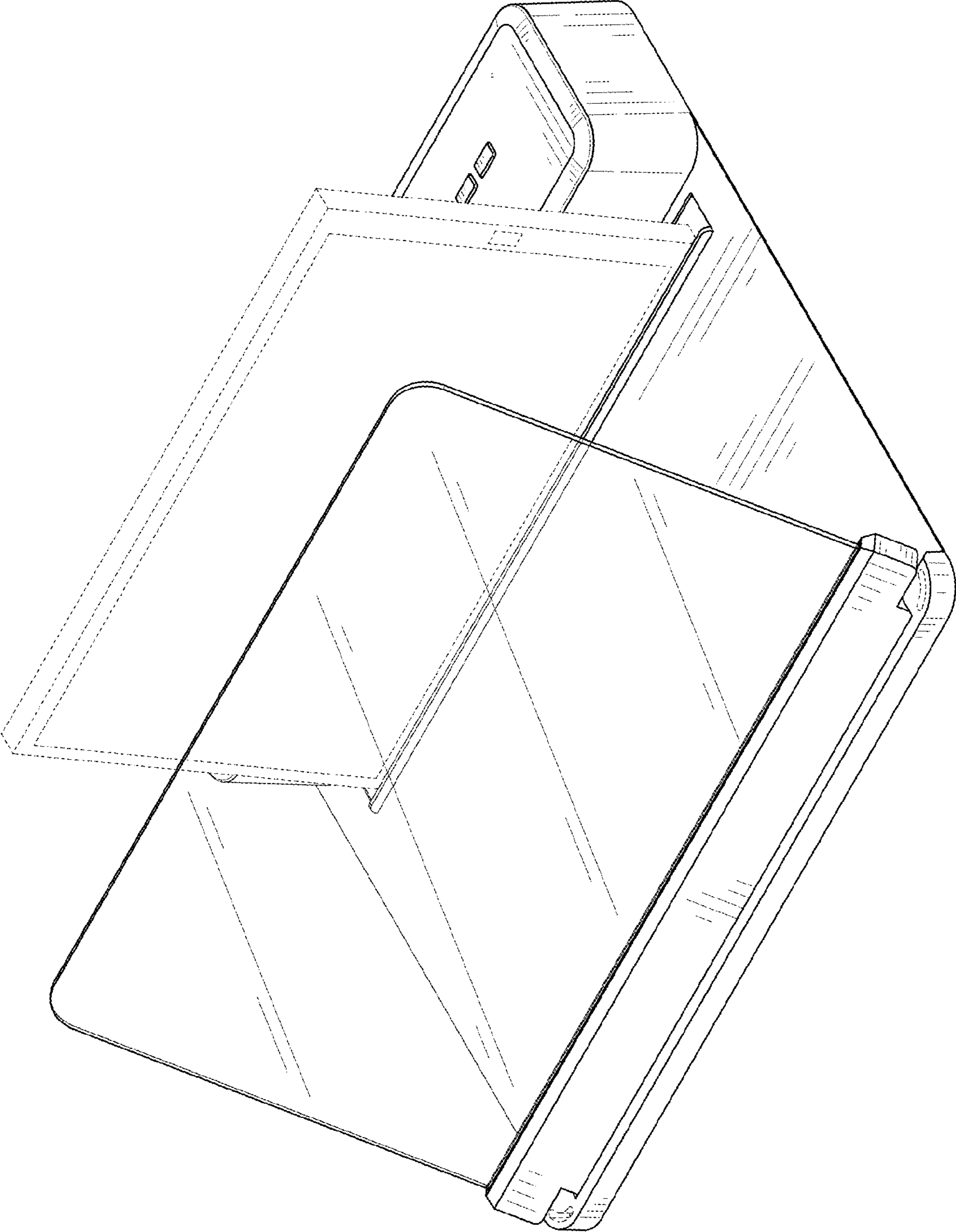


FIG. 10

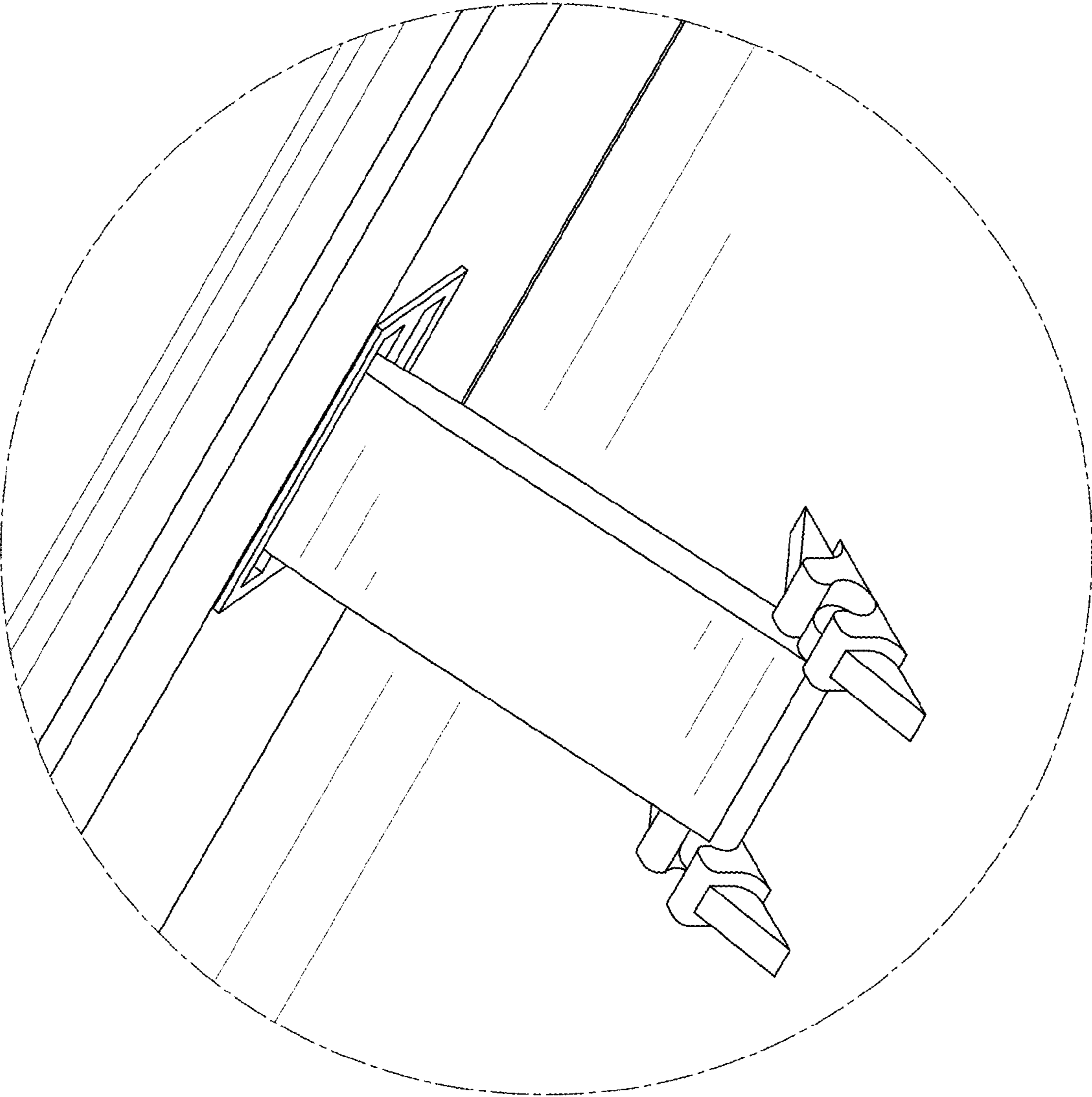


FIG. 11