



US00D952723S

(12) **United States Design Patent**  
**Huang**

(10) **Patent No.:** **US D952,723 S**

(45) **Date of Patent:** **\*\* May 24, 2022**

(54) **WATCH WINDER**

(71) Applicant: **Yuemi Huang**, Shenzhen (CN)

(72) Inventor: **Yuemi Huang**, Shenzhen (CN)

(\*\*) Term: **15 Years**

(21) Appl. No.: **29/797,807**

(22) Filed: **Jul. 2, 2021**

**Related U.S. Application Data**

(62) Division of application No. 29/734,210, filed on May 11, 2020, now Pat. No. Des. 931,923.

(30) **Foreign Application Priority Data**

Jan. 13, 2020 (CN) ..... 202030021538.7

Jan. 13, 2020 (CN) ..... 202030021553.1

(51) **LOC (13) Cl.** ..... **15-99**

(52) **U.S. Cl.**  
USPC ..... **D15/199**

(58) **Field of Classification Search**  
USPC ..... D3/273-294, 298; D9/414, 418, 420,  
D9/421, 423, 431-432; D15/199  
CPC ... G04B 5/00; G04B 5/04; G04D 7/00; G04D  
7/009

See application file for complete search history.

(56) **References Cited**

**U.S. PATENT DOCUMENTS**

- 5,988,871 A \* 11/1999 Bonnet ..... G04B 3/006  
81/7.5
- D452,256 S \* 12/2001 Wolf ..... D15/199
- D507,709 S \* 7/2005 Au ..... D9/418
- D510,210 S \* 10/2005 Au ..... D3/294
- D513,568 S \* 1/2006 Au ..... G04D 7/009  
D3/294
- D514,848 S \* 2/2006 Au ..... D3/294

- D520,540 S \* 5/2006 Siu ..... D15/199
- D556,227 S \* 11/2007 Au ..... D15/199
- 7,530,733 B2 \* 5/2009 Louie ..... G04D 7/009  
368/206
- 7,575,367 B2 \* 8/2009 Wolf, V ..... G04B 3/006  
368/206
- D607,028 S \* 12/2009 Subilia ..... D15/199
- 7,927,009 B2 \* 4/2011 Huang ..... G04D 7/009  
368/206
- D658,696 S \* 5/2012 Au ..... D15/199
- 8,714,813 B2 \* 5/2014 Liao ..... H02J 50/10  
D15/199
- D707,118 S \* 6/2014 Au ..... G04D 7/009  
D3/294
- D719,991 S \* 12/2014 Ko ..... G04D 7/009  
368/206
- D722,633 S \* 2/2015 Au ..... D15/199
- D781,944 S \* 3/2017 Lee ..... D15/199
- D886,879 S \* 6/2020 Liu ..... D15/199
- D886,880 S \* 6/2020 Liu ..... G04B 3/006  
81/7.5

(Continued)

*Primary Examiner* — Patricia A Palasik

(74) *Attorney, Agent, or Firm* — Westbridge IP LLC

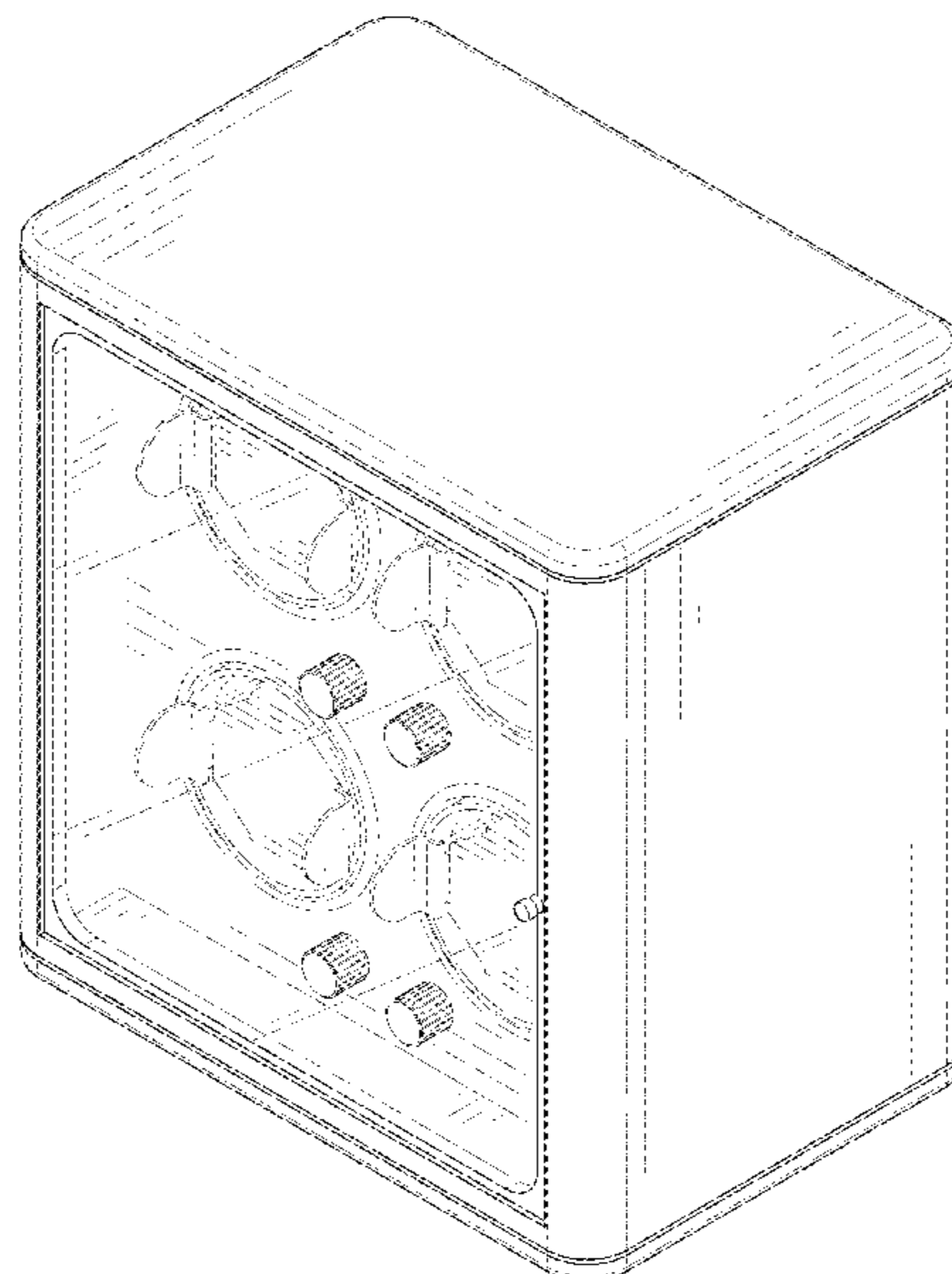
(57) **CLAIM**

The ornamental design for a watch winder, as shown and described.

**DESCRIPTION**

FIG. 1 is a top, front and right side perspective view of a watch winder showing my new design; FIG. 2 is a front elevation view thereof; FIG. 3 is a rear elevation view thereof; FIG. 4 is a left side elevation view thereof; FIG. 5 is a right side elevation view thereof; FIG. 6 is a top plan view thereof; and, FIG. 7 is a bottom plan view thereof. The evenly broken lines in the drawings illustrate portions of the watch winder that form no part of the claim.

**1 Claim, 7 Drawing Sheets**



(56)

**References Cited**

U.S. PATENT DOCUMENTS

D905,144 S \* 12/2020 Liang ..... G04D 7/009  
368/206  
D905,773 S \* 12/2020 Liang ..... G04B 5/00  
368/206  
D930,059 S \* 9/2021 Huang ..... D15/199  
D931,923 S \* 9/2021 Huang ..... D15/199  
D931,924 S \* 9/2021 Huang ..... D15/199  
D932,532 S \* 10/2021 Huang ..... D15/199  
D937,921 S \* 12/2021 Huang ..... D15/199  
D939,005 S \* 12/2021 Huang ..... D15/199  
2005/0254352 A1 \* 11/2005 Wolf, V ..... G04D 7/009  
368/206  
2007/0223319 A1 \* 9/2007 Hill ..... G04D 7/009  
368/206  
2010/0165798 A1 \* 7/2010 Huang ..... G04D 7/009  
368/206  
2012/0082011 A1 \* 4/2012 Liao ..... G04B 5/00  
368/206

\* cited by examiner

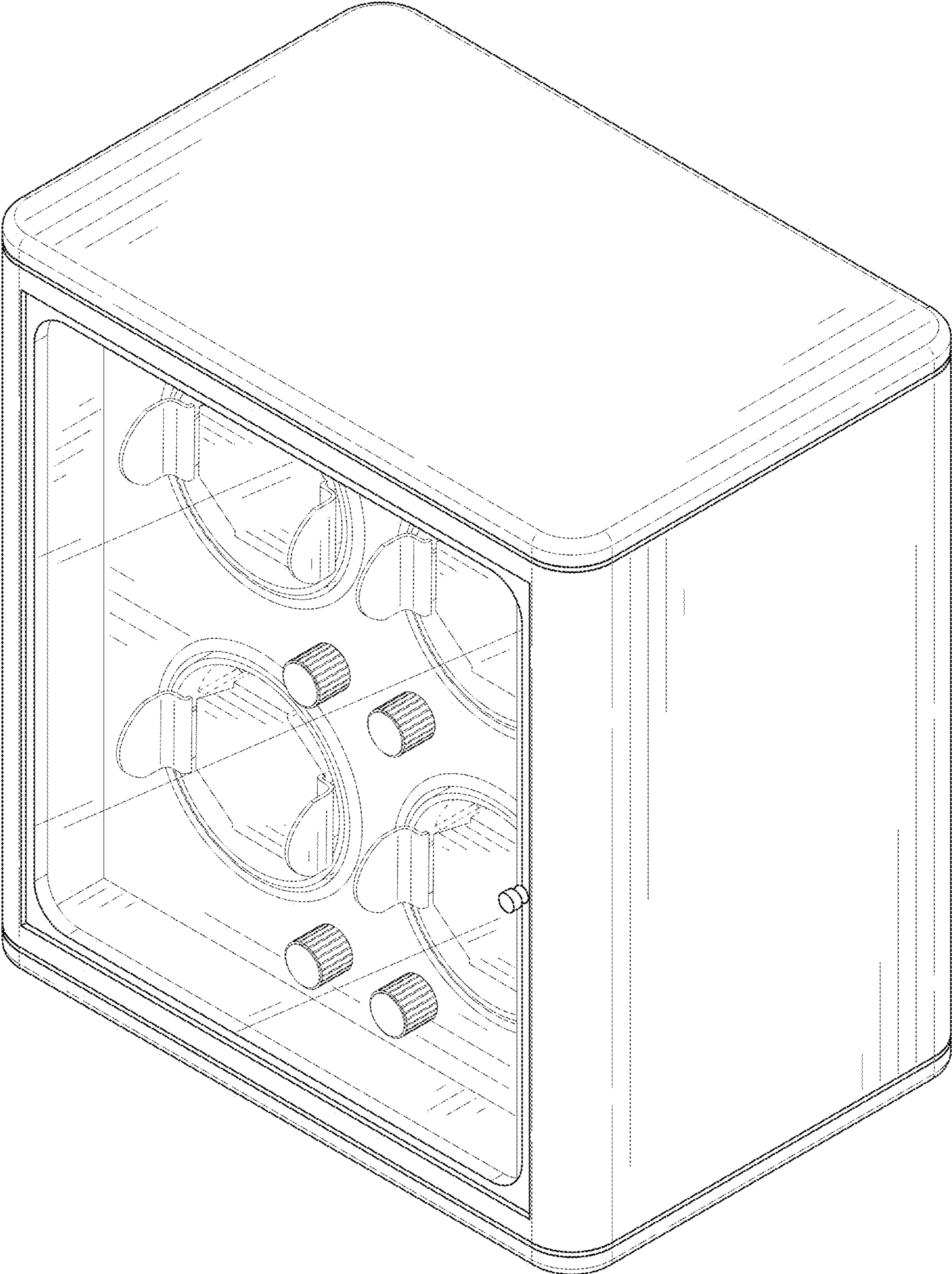


FIG. 1

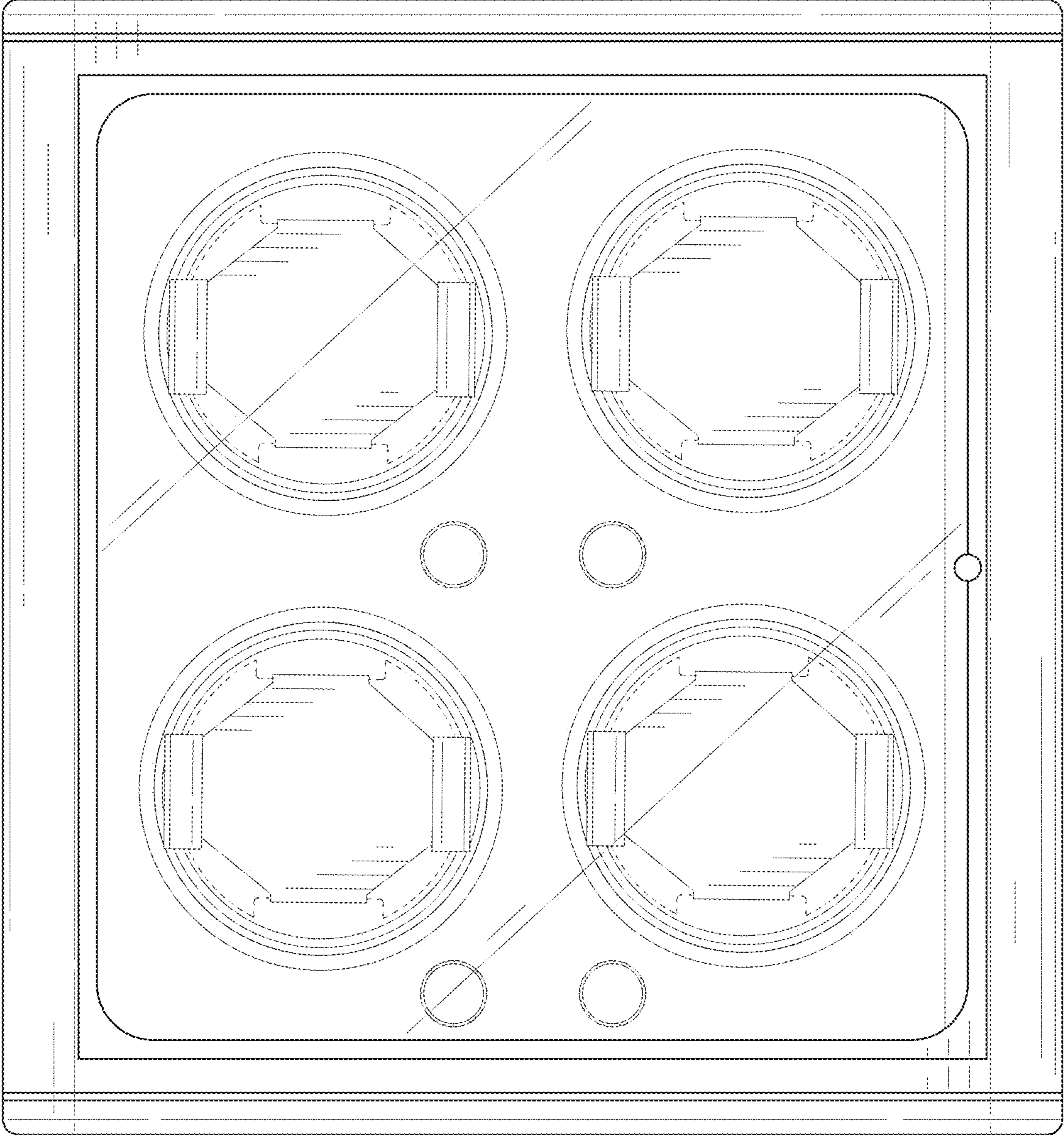


FIG. 2

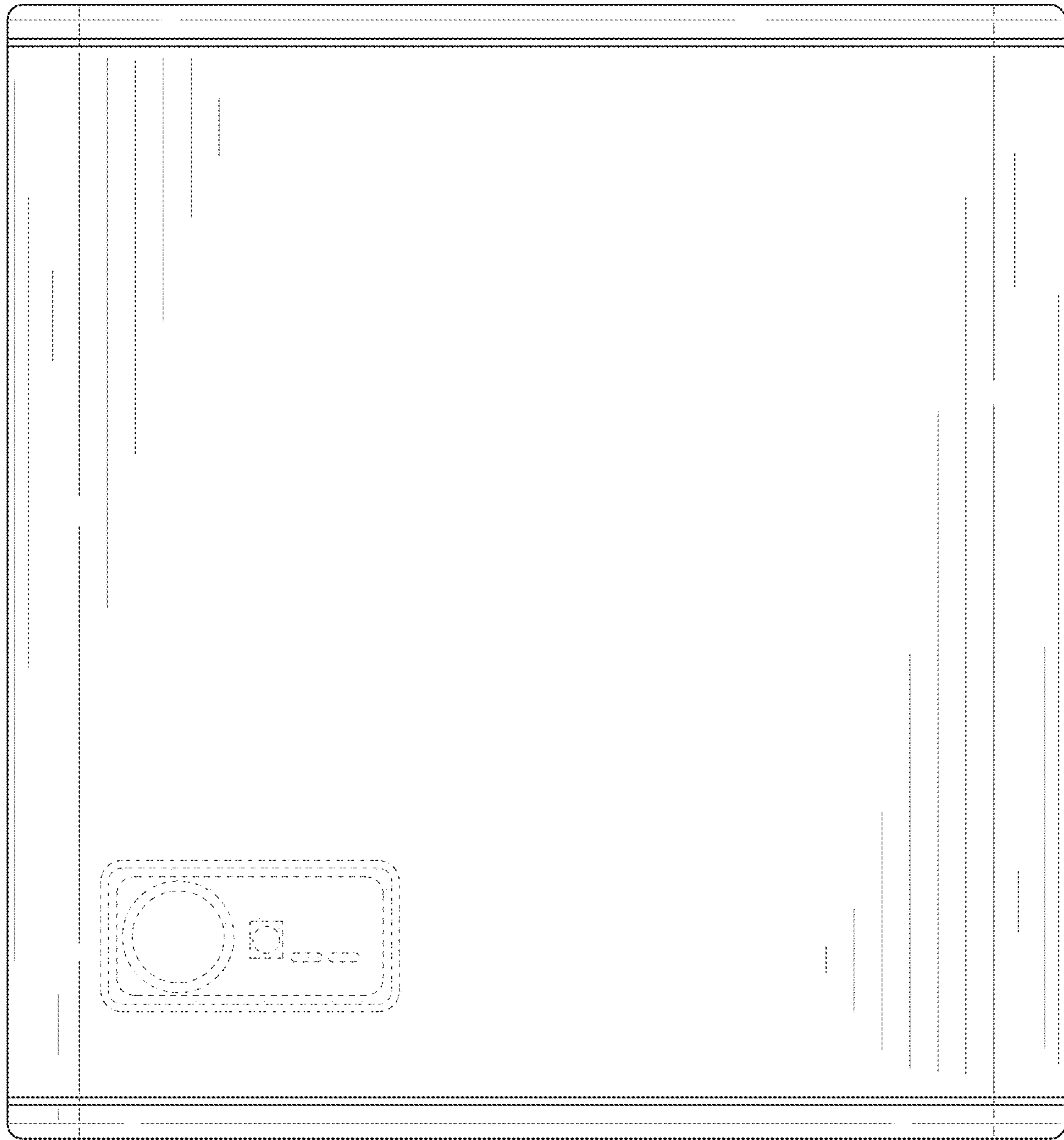


FIG. 3

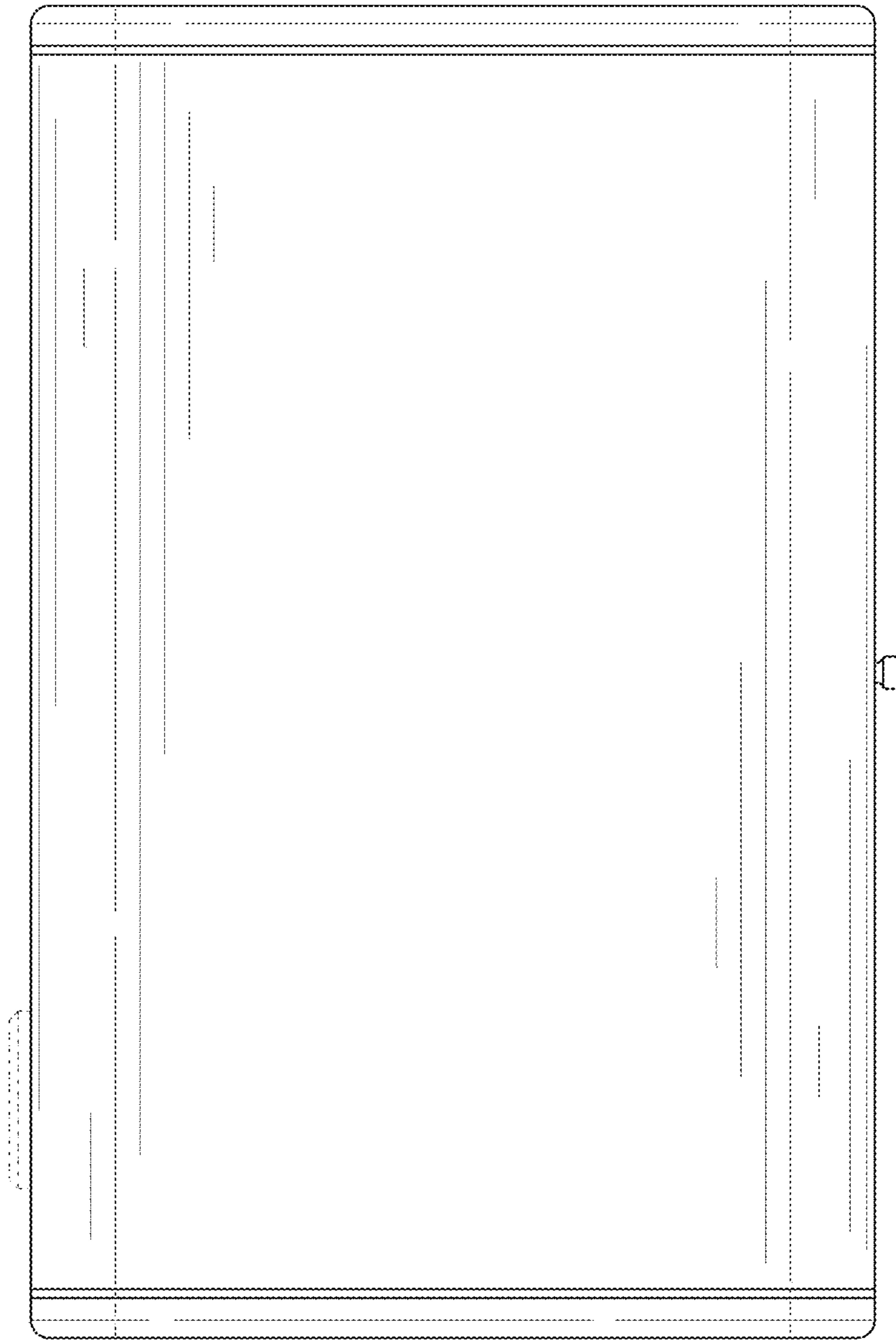


FIG. 4

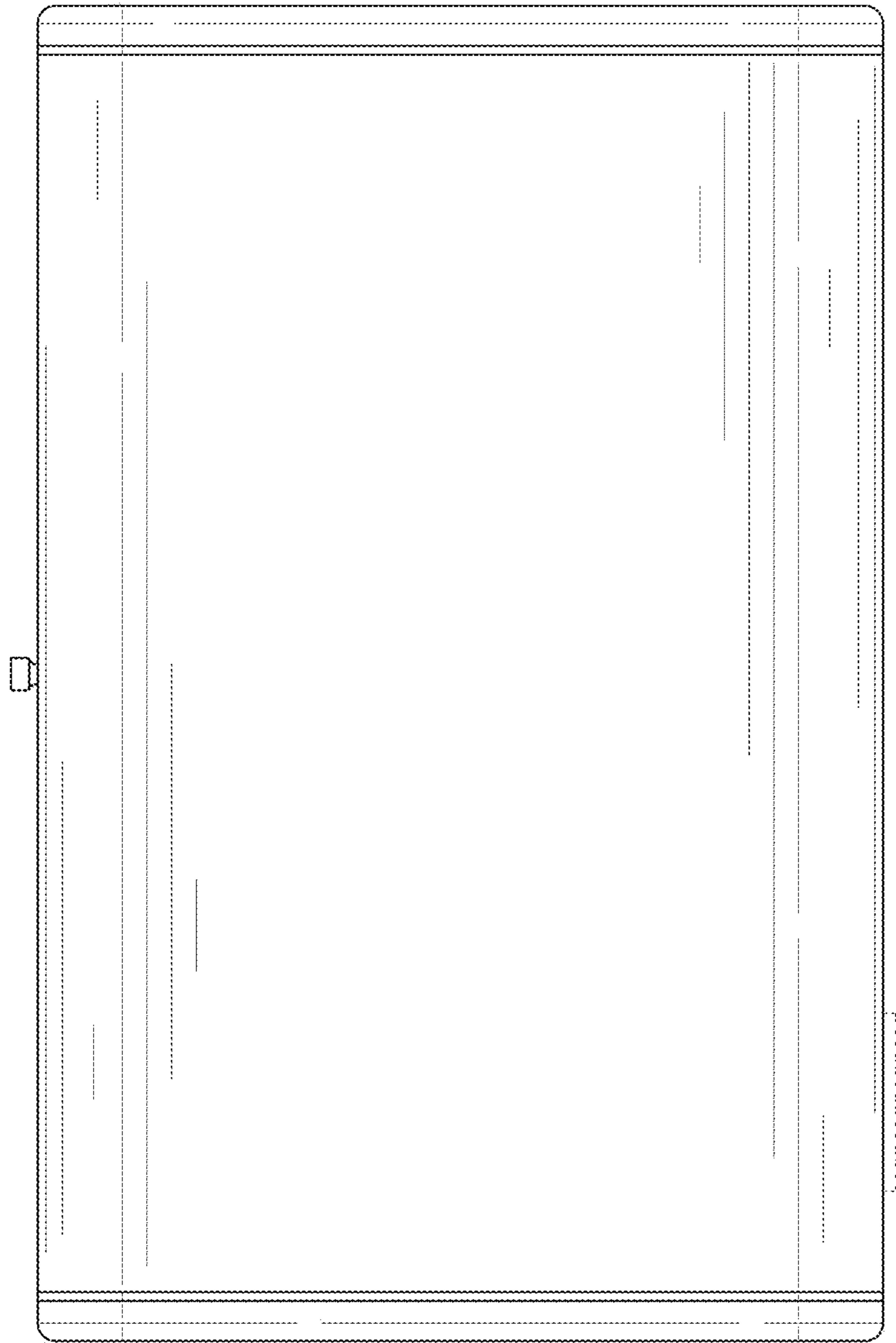


FIG. 5

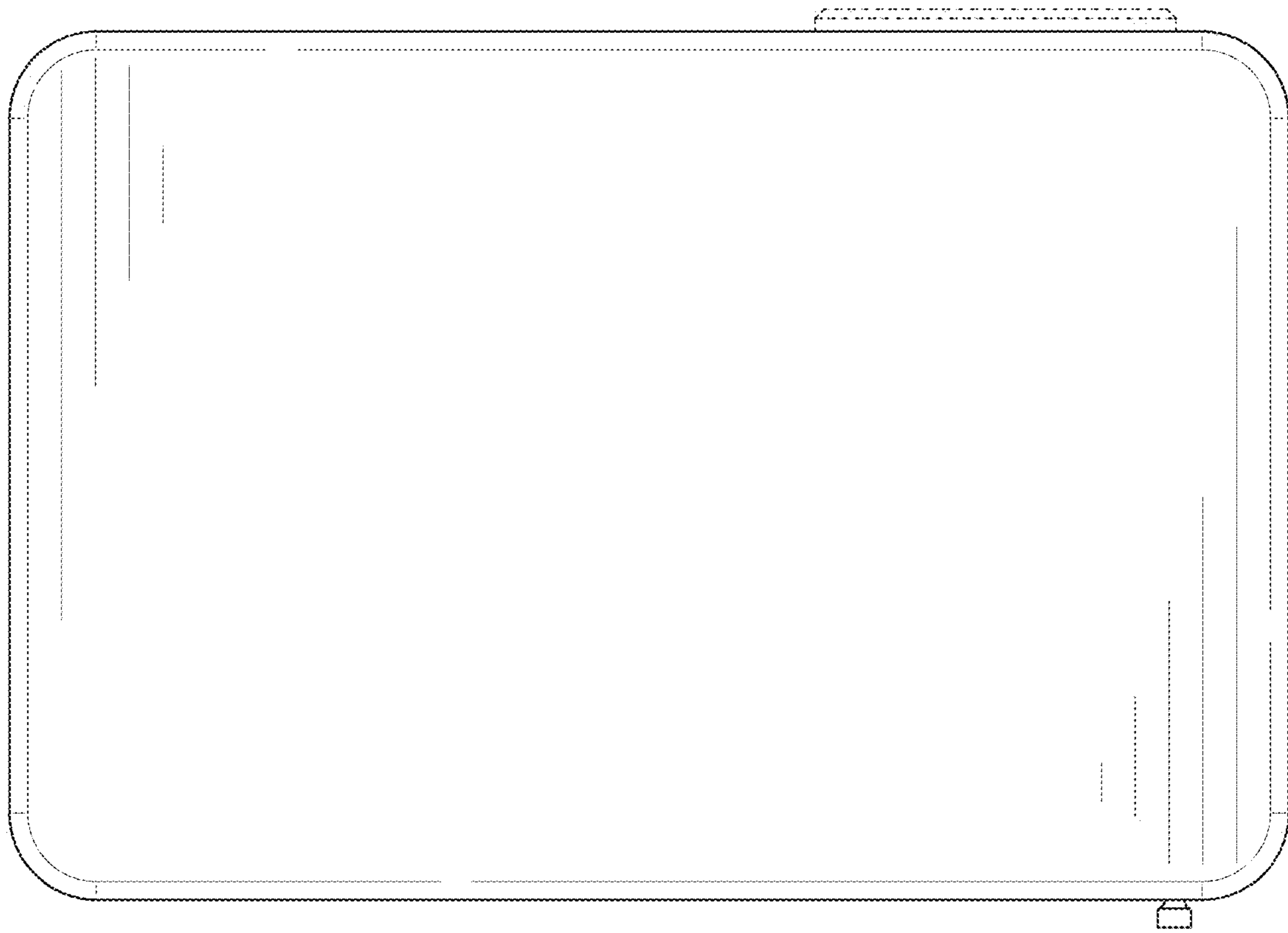


FIG. 6



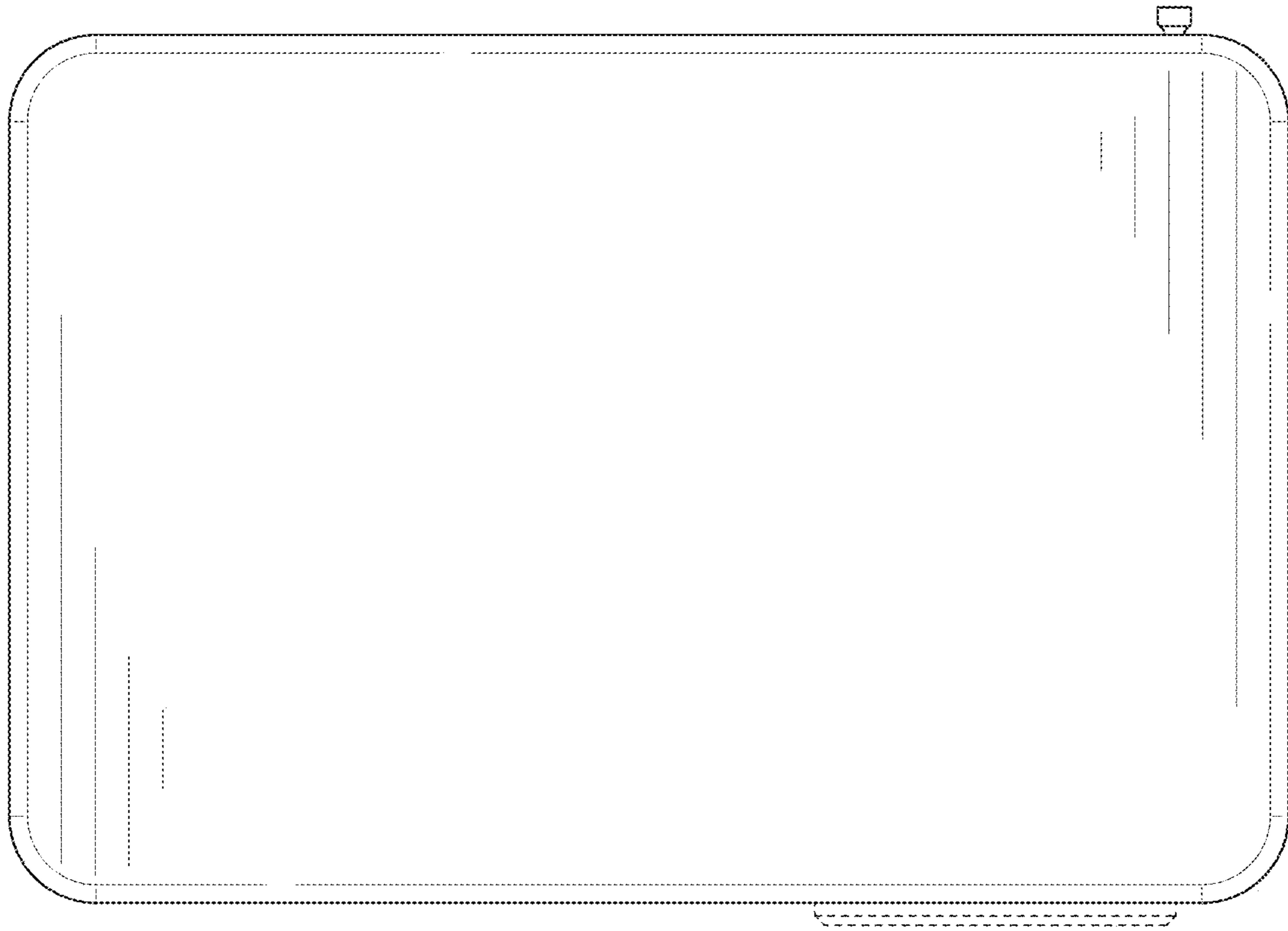


FIG. 7