



US00D952722S

(12) **United States Design Patent**
Huang

(10) **Patent No.:** **US D952,722 S**
(45) **Date of Patent:** **** May 24, 2022**

- (54) **WATCH WINDER**
- (71) Applicant: **Yuemi Huang**, Shenzhen (CN)
- (72) Inventor: **Yuemi Huang**, Shenzhen (CN)
- (**) Term: **15 Years**
- (21) Appl. No.: **29/797,803**
- (22) Filed: **Jul. 2, 2021**

Related U.S. Application Data

- (62) Division of application No. 29/731,729, filed on Apr. 17, 2020, now Pat. No. Des. 930,059.

Foreign Application Priority Data

- Jan. 4, 2020 (CN) 202030004180.7
- Mar. 2, 2020 (EM) 007724729

- (51) **LOC (13) Cl.** **15-99**
- (52) **U.S. Cl.**
USPC **D15/199**
- (58) **Field of Classification Search**
USPC D3/273-294, 298; D9/414, 418, 420,
D9/421, 423, 431-432; D15/199
CPC ... G04B 5/00; G04B 5/04; G04D 7/00; G04D
7/009
See application file for complete search history.

References Cited

U.S. PATENT DOCUMENTS

- 5,988,871 A * 11/1999 Bonnet G04B 3/006
81/7.5
- D452,256 S * 12/2001 Wolf D15/199
- D507,709 S * 7/2005 Au D9/418
- D510,210 S * 10/2005 Au D3/294
- D513,568 S * 1/2006 Au G04D 7/009
D3/294
- D514,848 S * 2/2006 Au D3/294

- D520,540 S * 5/2006 Siu D15/199
- D556,227 S * 11/2007 Au D15/199
- 7,530,733 B2 * 5/2009 Louie G04D 7/009
368/206
- 7,575,367 B2 * 8/2009 Wolf, V G04B 3/006
368/206
- D607,028 S * 12/2009 Subilia D15/199
- 7,927,009 B2 * 4/2011 Huang G04D 7/009
368/206
- D658,696 S * 5/2012 Au D15/199
- 8,714,813 B2 * 5/2014 Liao H02J 50/10
D15/199
- D707,118 S * 6/2014 Au G04D 7/009
D3/294
- D719,991 S * 12/2014 Ko G04D 7/009
368/206
- D722,633 S * 2/2015 Au D15/199
- D781,944 S * 3/2017 Lee D15/199
- D886,879 S * 6/2020 Liu D15/199
- D886,880 S * 6/2020 Liu G04B 3/006
81/7.5

(Continued)

Primary Examiner — Patricia A Palasik
(74) *Attorney, Agent, or Firm* — Westbridge IP LLC

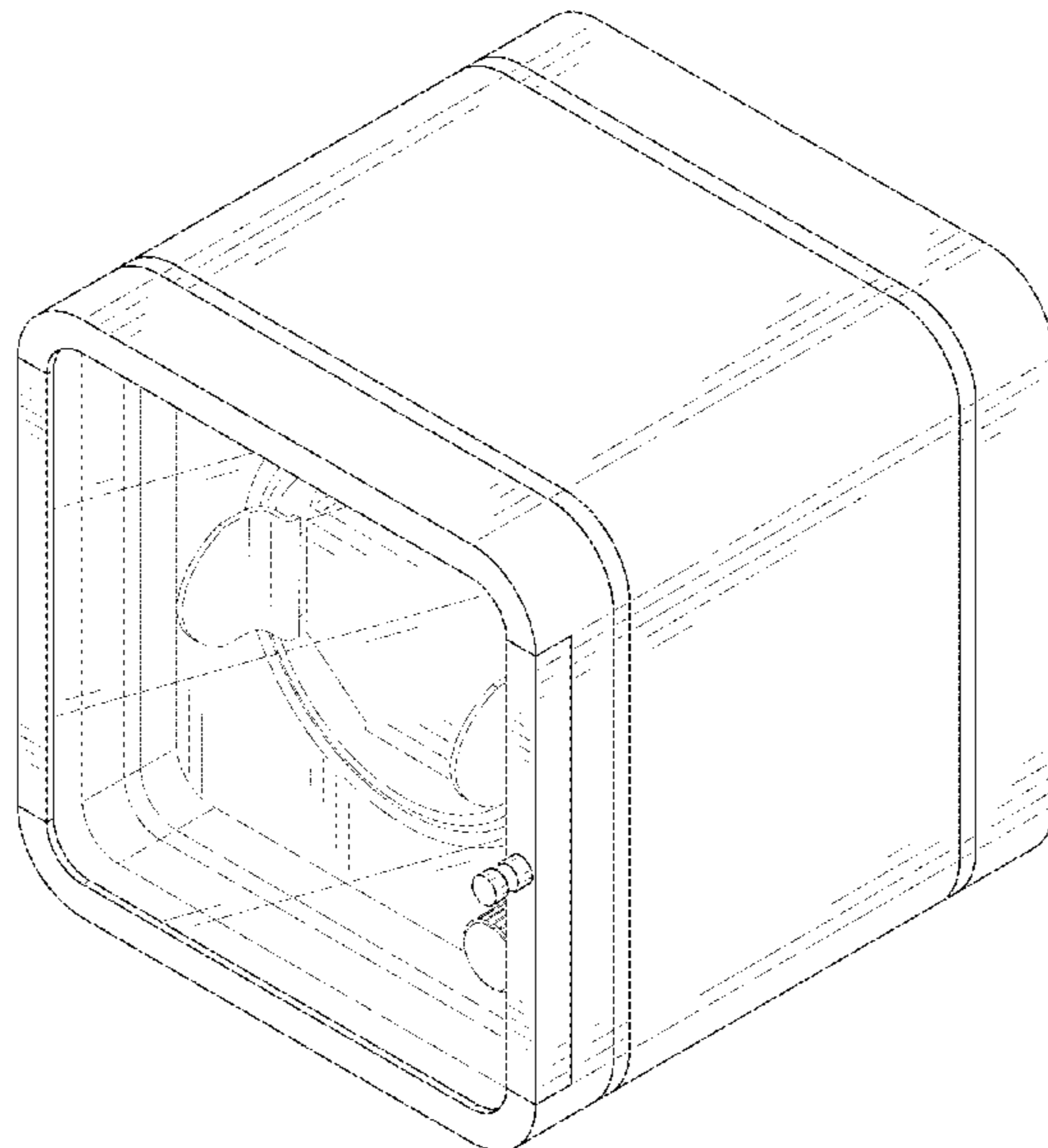
(57) **CLAIM**

The ornamental design for a watch winder, as shown and described.

DESCRIPTION

FIG. 1 is a top, front and right side perspective view of a watch winder showing my new design; FIG. 2 is a front elevation view thereof; FIG. 3 is a rear elevation view thereof; FIG. 4 is a left side elevation view thereof; FIG. 5 is a right side elevation view thereof; FIG. 6 is a top plan view thereof; and, FIG. 7 is a bottom plan view thereof. The evenly broken lines in the drawings illustrate portions of the watch winder that form no part of the claim.

1 Claim, 7 Drawing Sheets



(56)

References Cited

U.S. PATENT DOCUMENTS

D905,144 S * 12/2020 Liang G04D 7/009
368/206
D905,773 S * 12/2020 Liang G04B 5/00
368/206
D930,059 S * 9/2021 Huang D15/199
D931,923 S * 9/2021 Huang D15/199
D931,924 S * 9/2021 Huang D15/199
D932,532 S * 10/2021 Huang D15/199
D937,921 S * 12/2021 Huang D15/199
D939,005 S * 12/2021 Huang D15/199
2005/0254352 A1 * 11/2005 Wolf, V G04D 7/009
368/206
2007/0223319 A1 * 9/2007 Hill G04D 7/009
368/206
2010/0165798 A1 * 7/2010 Huang G04D 7/009
368/206
2012/0082011 A1 * 4/2012 Liao G04B 5/00
368/206

* cited by examiner

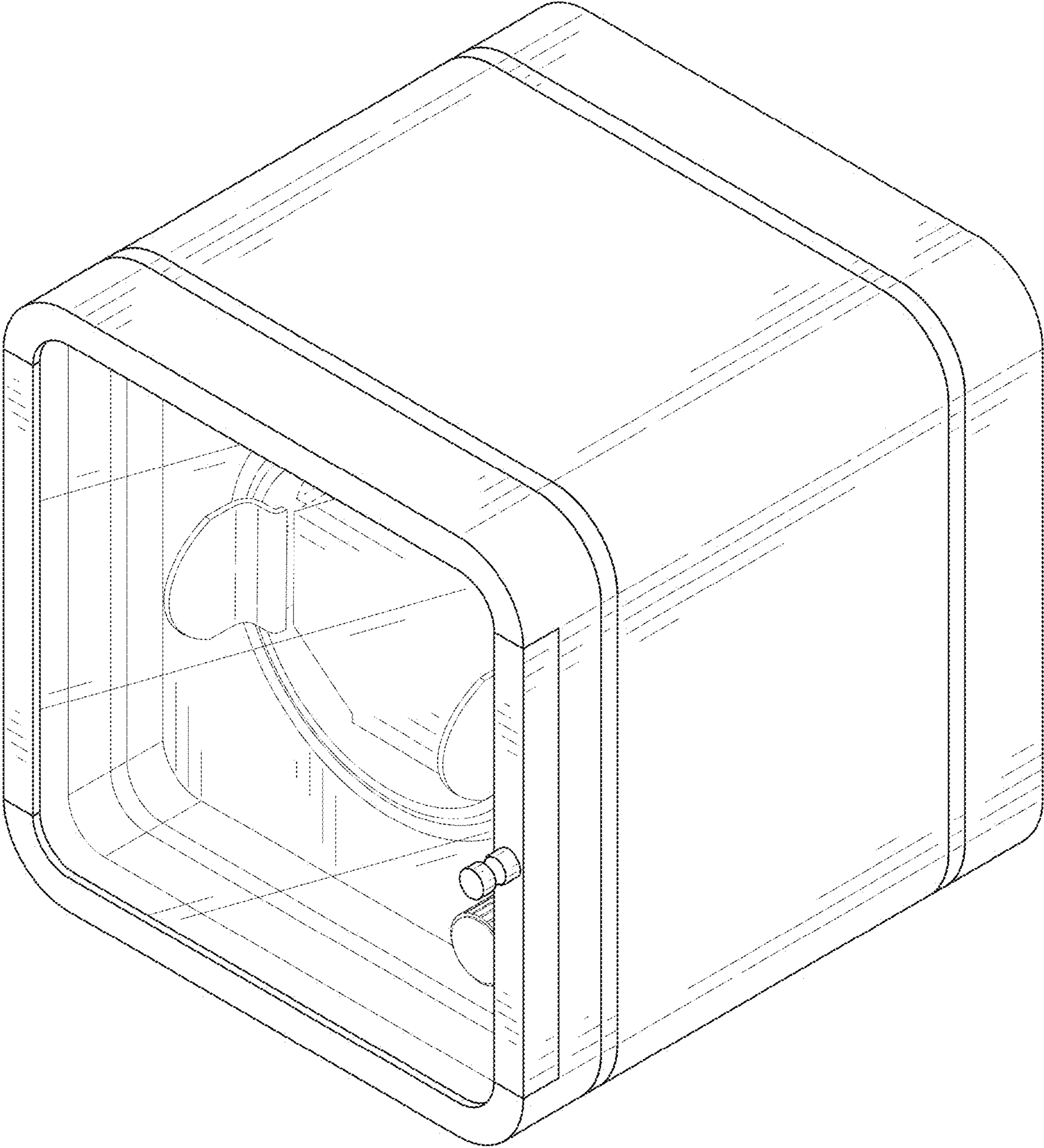


FIG. 1

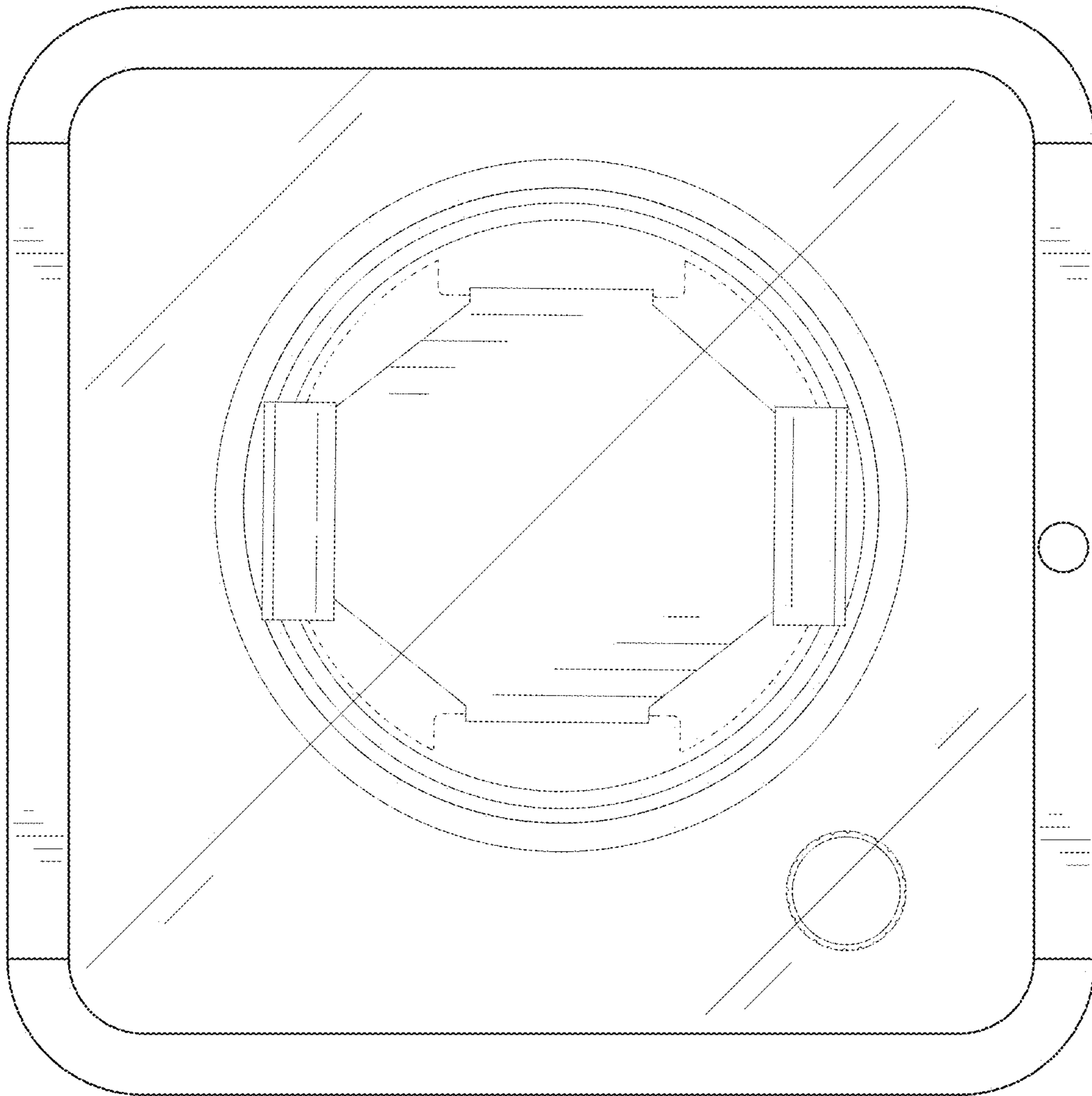


FIG. 2

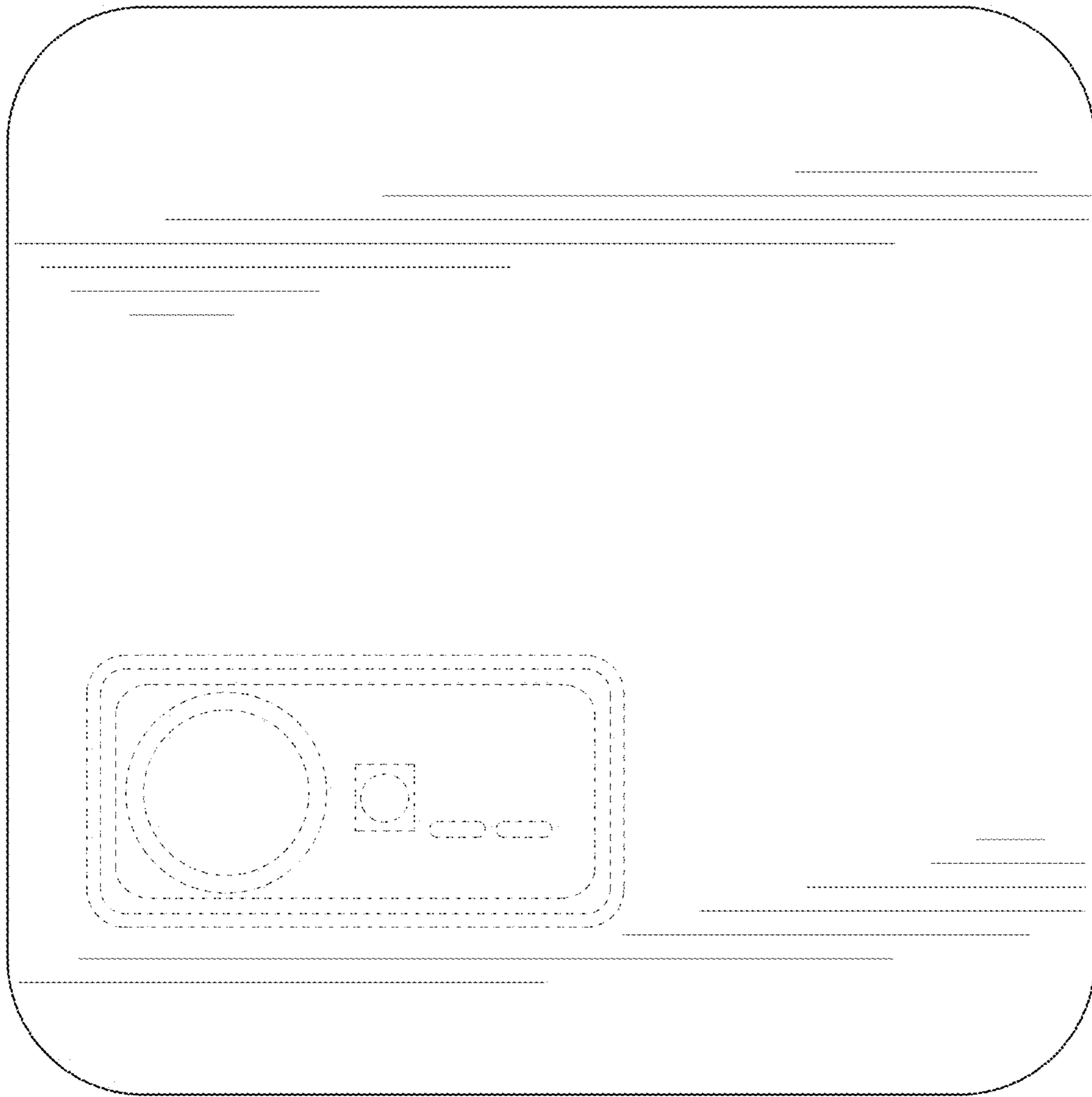


FIG. 3



FIG. 4

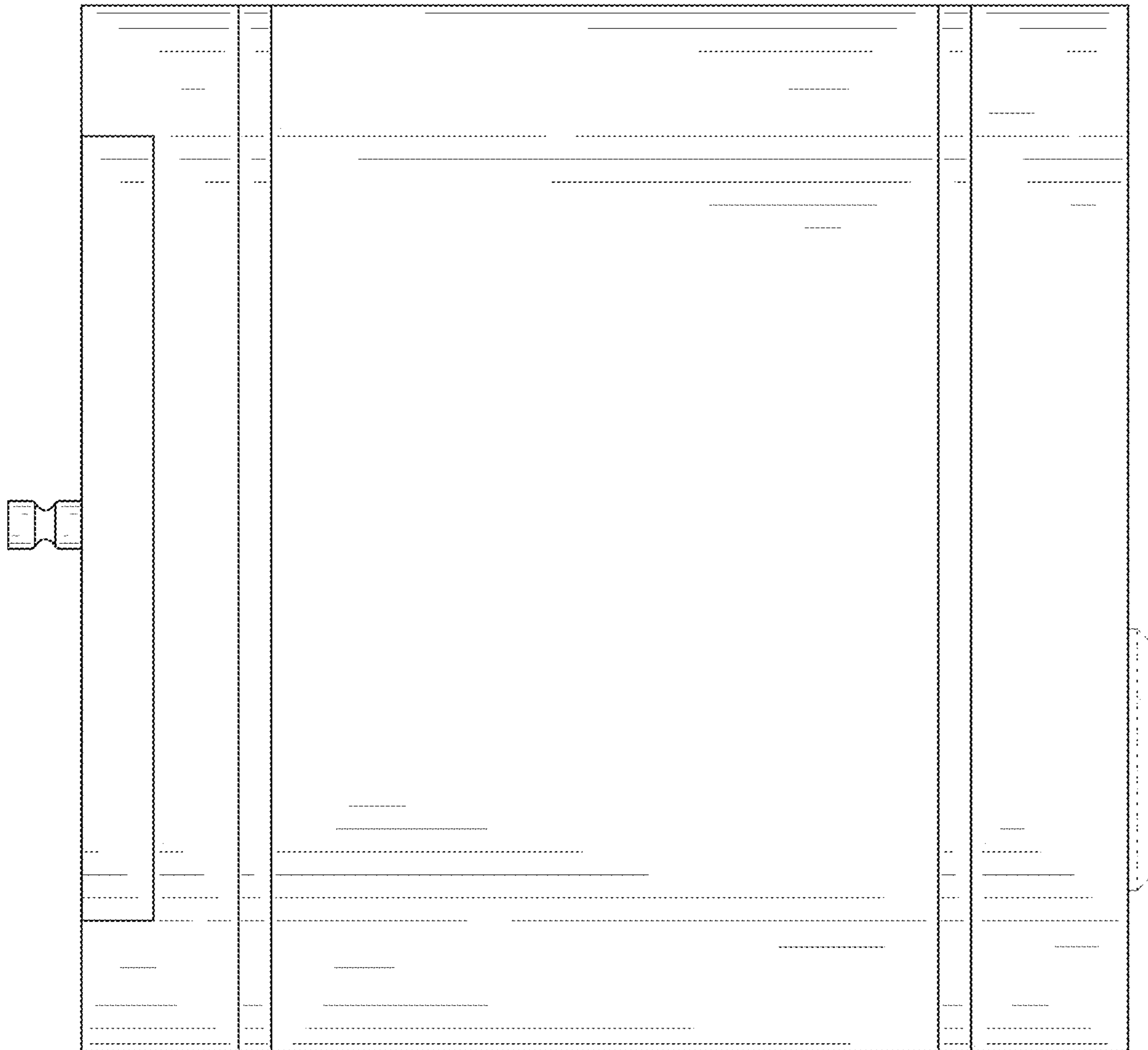


FIG. 5

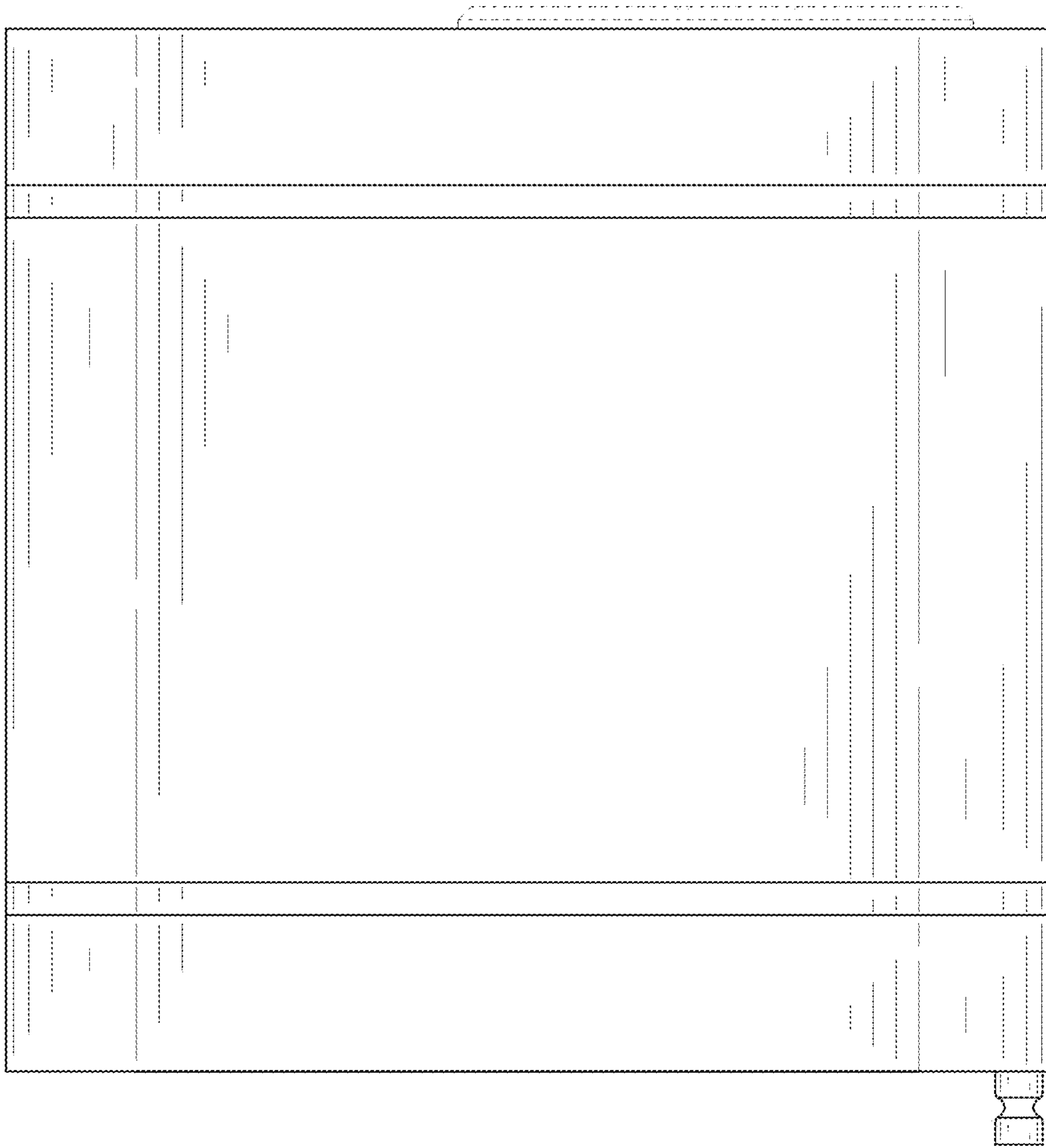


FIG. 6

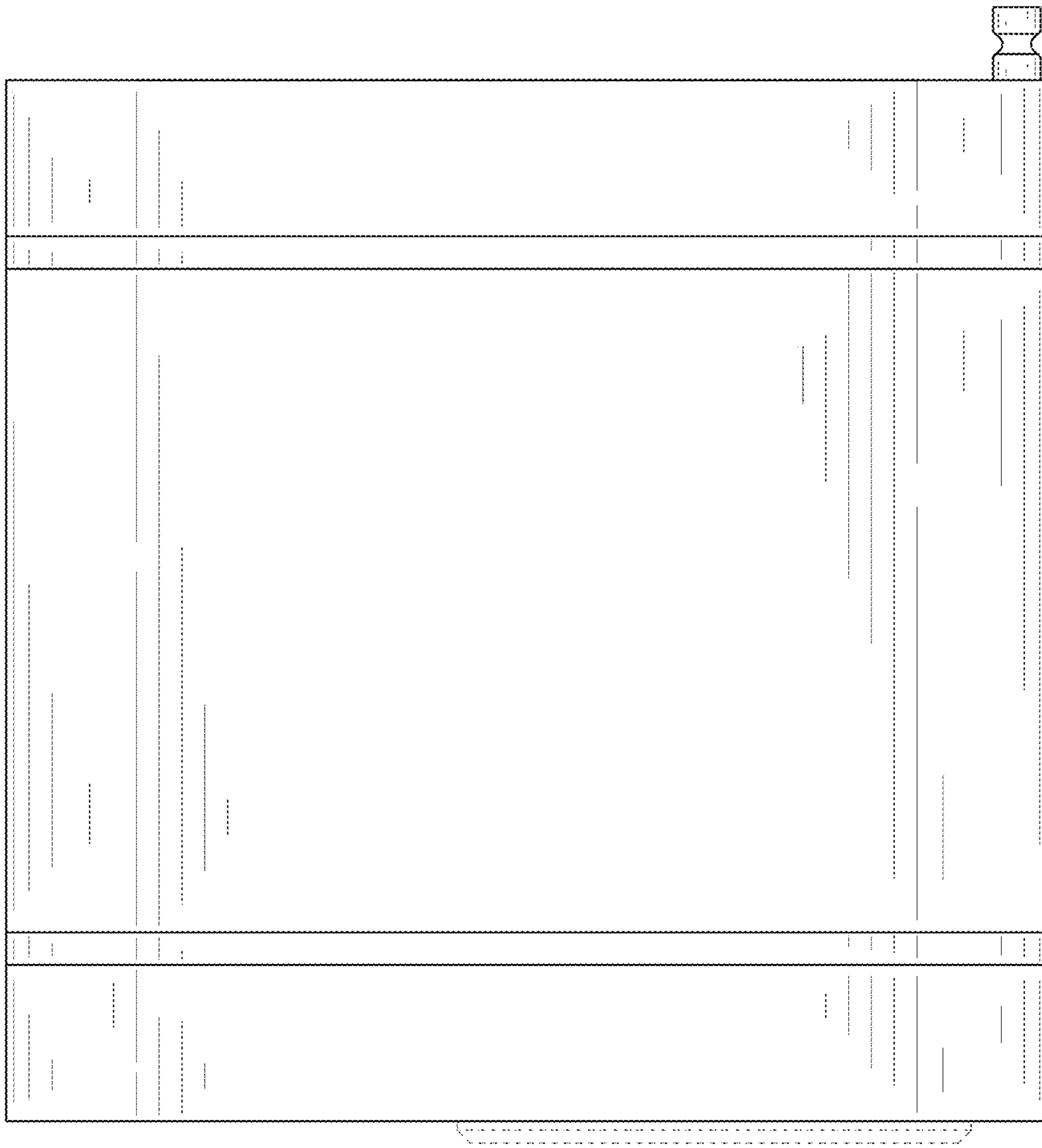


FIG. 7