



US00D952721S

(12) **United States Design Patent**  
**Chen**

(10) **Patent No.:** **US D952,721 S**

(45) **Date of Patent:** **\*\* May 24, 2022**

- (54) **WINDER FOR WATCH**
- (71) Applicant: **Kehuangda (Guangzhou) Trading Co., Ltd.**, Guangzhou (CN)
- (72) Inventor: **Tao Chen**, Guangzhou (CN)
- (73) Assignee: **Kehuangda (Guangzhou) Trading Co., Ltd.**, Guangzhou (CN)
- (\*\*) Term: **15 Years**
- (21) Appl. No.: **29/763,590**
- (22) Filed: **Dec. 23, 2020**
- (30) **Foreign Application Priority Data**  
Dec. 14, 2020 (CN) ..... 202030768459.2

7,530,733	B2 *	5/2009	Louie	.....	G04D 7/009	81/7.5
7,575,367	B2 *	8/2009	Wolf, V	.....	G04D 7/009	81/7.5
D607,028	S *	12/2009	Subilia	.....	D15/199	
7,927,009	B2 *	4/2011	Huang	.....	G04D 7/009	439/701
D658,696	S *	5/2012	Au	.....	D15/199	
8,714,813	B2 *	5/2014	Liao	.....	G04B 5/00	320/108
D707,118	S *	6/2014	Au	.....	D9/418	
D719,991	S *	12/2014	Ko	.....	D15/199	
D722,633	S *	2/2015	Au	.....	D15/199	
D781,944	S *	3/2017	Lee	.....	D15/199	
D886,879	S *	6/2020	Liu	.....	D15/199	
D886,880	S *	6/2020	Liu	.....	D15/199	
D905,144	S *	12/2020	Liang	.....	D15/199	
D905,773	S *	12/2020	Liang	.....	D15/199	
D930,059	S *	9/2021	Huang	.....	D15/199	
D931,923	S *	9/2021	Huang	.....	D15/199	

(Continued)

- (51) **LOC (13) Cl.** ..... **15-99**
- (52) **U.S. Cl.**  
USPC ..... **D15/199**
- (58) **Field of Classification Search**  
USPC ..... D3/273-294, 298; D9/414, 418, 420,  
D9/421, 423, 431-432; D15/199  
CPC ... G04B 5/00; G04B 5/04; G04D 7/00; G04D  
7/009  
See application file for complete search history.

*Primary Examiner* — Patricia A Palasik  
(74) *Attorney, Agent, or Firm* — Westbridge IP LLC

(57) **CLAIM**

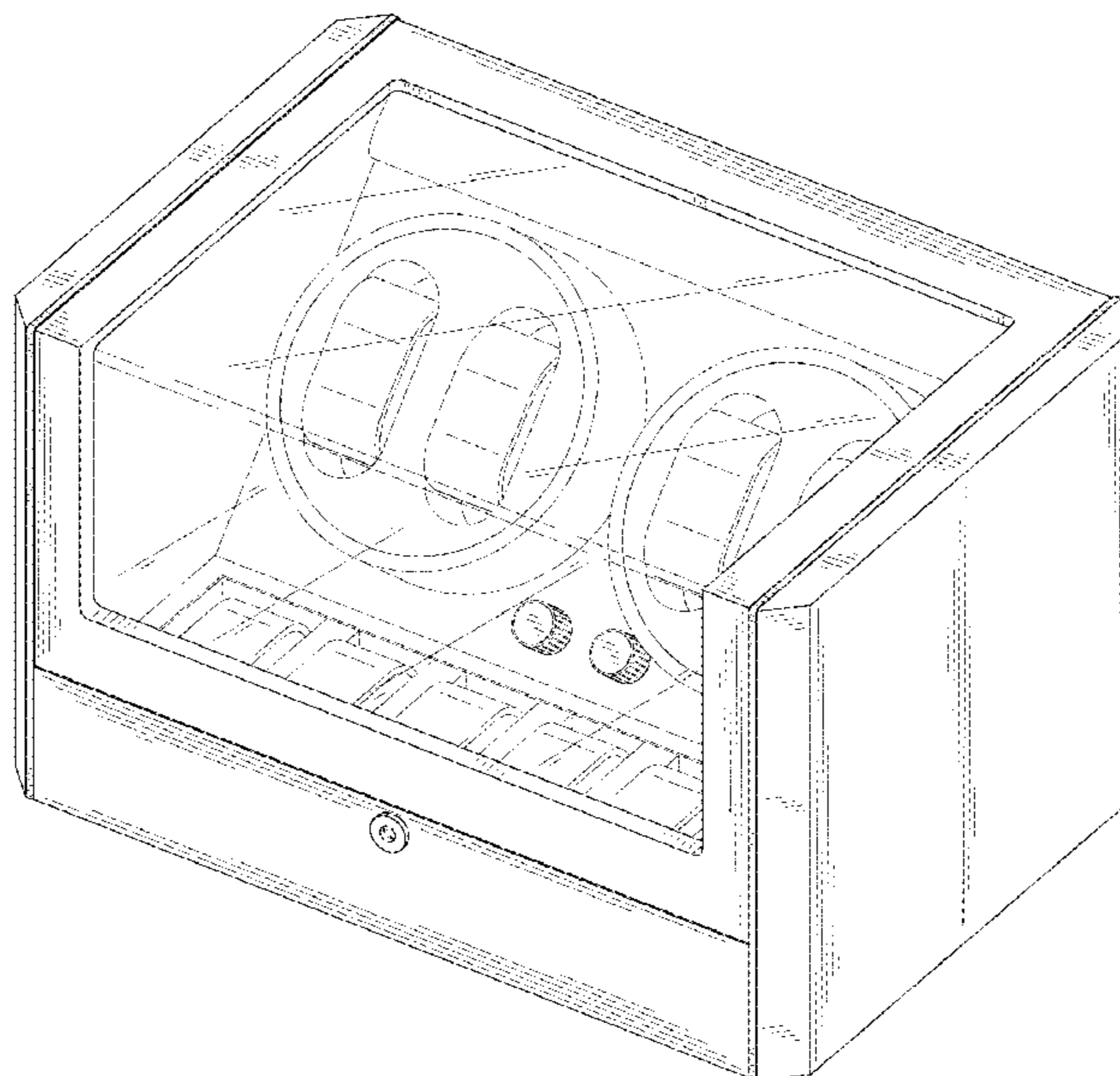
The ornamental design for a winder for watch, as shown and described.

**DESCRIPTION**

FIG. 1 is a front perspective view of a winder for watch showing my new design;  
FIG. 2 is a front elevational view thereof;  
FIG. 3 is a rear elevational view thereof;  
FIG. 4 is a left side elevational view thereof;  
FIG. 5 is a right side elevational view thereof;  
FIG. 6 is a top plan view thereof;  
FIG. 7 is a bottom plan view thereof; and,  
FIG. 8 is a perspective view thereof in an open state.  
The broken lines in the drawings illustrate portions of the winder for watch that form no part of the claimed design.

**1 Claim, 8 Drawing Sheets**

- (56) **References Cited**  
U.S. PATENT DOCUMENTS  
5,988,871 A \* 11/1999 Bonnet ..... G04B 3/006  
81/7.5  
D452,256 S \* 12/2001 Wolf ..... D15/199  
D507,709 S \* 7/2005 Au ..... D9/418  
D510,210 S \* 10/2005 Au ..... D3/294  
D513,568 S \* 1/2006 Au ..... G04D 7/009  
D3/294  
D514,848 S \* 2/2006 Au ..... D3/294  
D520,540 S \* 5/2006 Siu ..... D15/199  
D556,227 S \* 11/2007 Au ..... D15/199



(56)

**References Cited**

U.S. PATENT DOCUMENTS

D931,924	S	*	9/2021	Huang	.....	D15/199
D932,532	S	*	10/2021	Huang	.....	D15/199
D937,921	S	*	12/2021	Huang	.....	D15/199
D939,005	S	*	12/2021	Huang	.....	D15/199
2005/0254352	A1	*	11/2005	Wolf, V	.....	G04D 7/009 368/206
2007/0223319	A1	*	9/2007	Hill	.....	G04D 7/009 368/206
2010/0165798	A1	*	7/2010	Huang	.....	G04D 7/009 368/206
2012/0082011	A1	*	4/2012	Liao	.....	G04B 5/00 368/206

\* cited by examiner

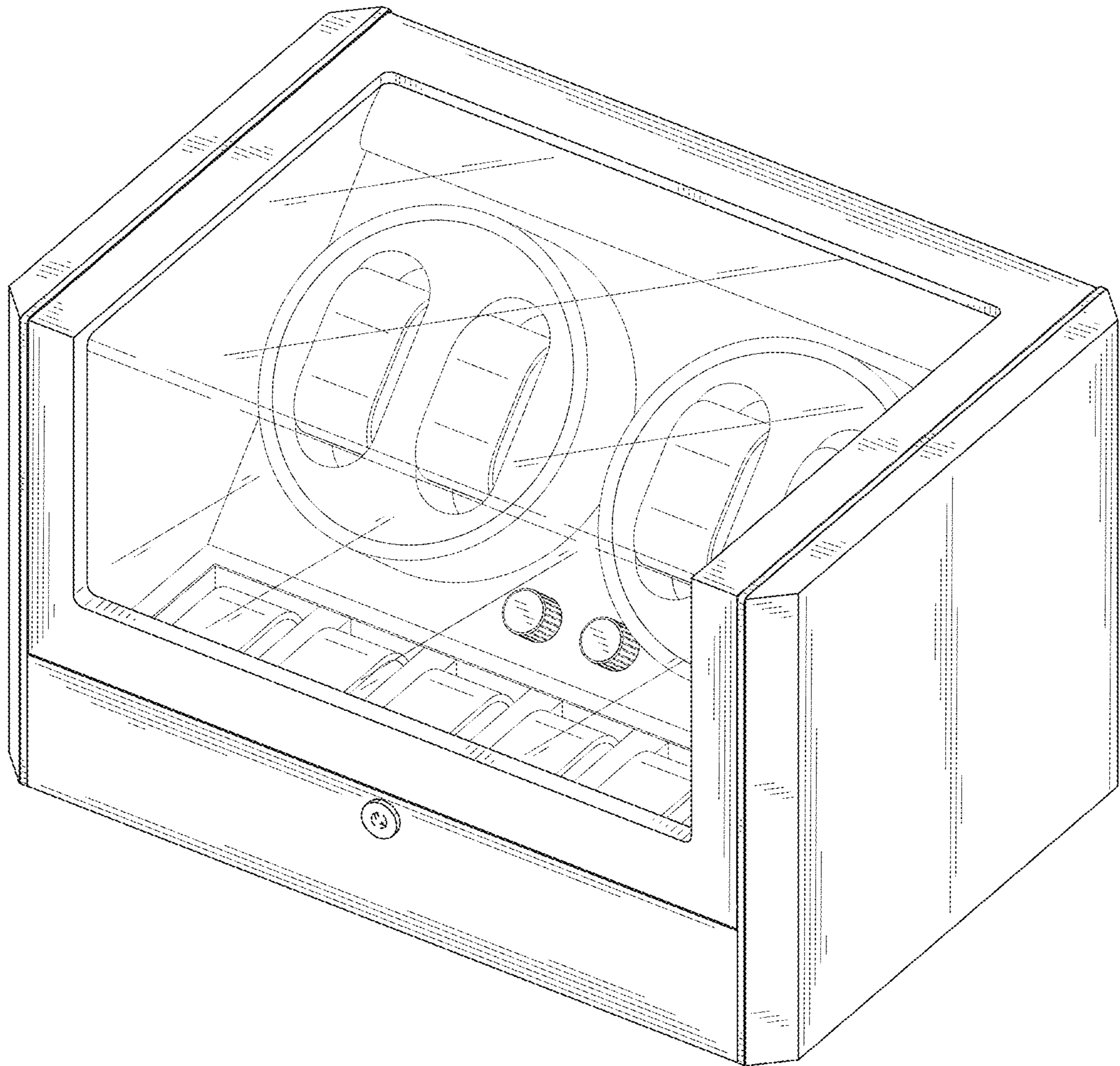


FIG. 1

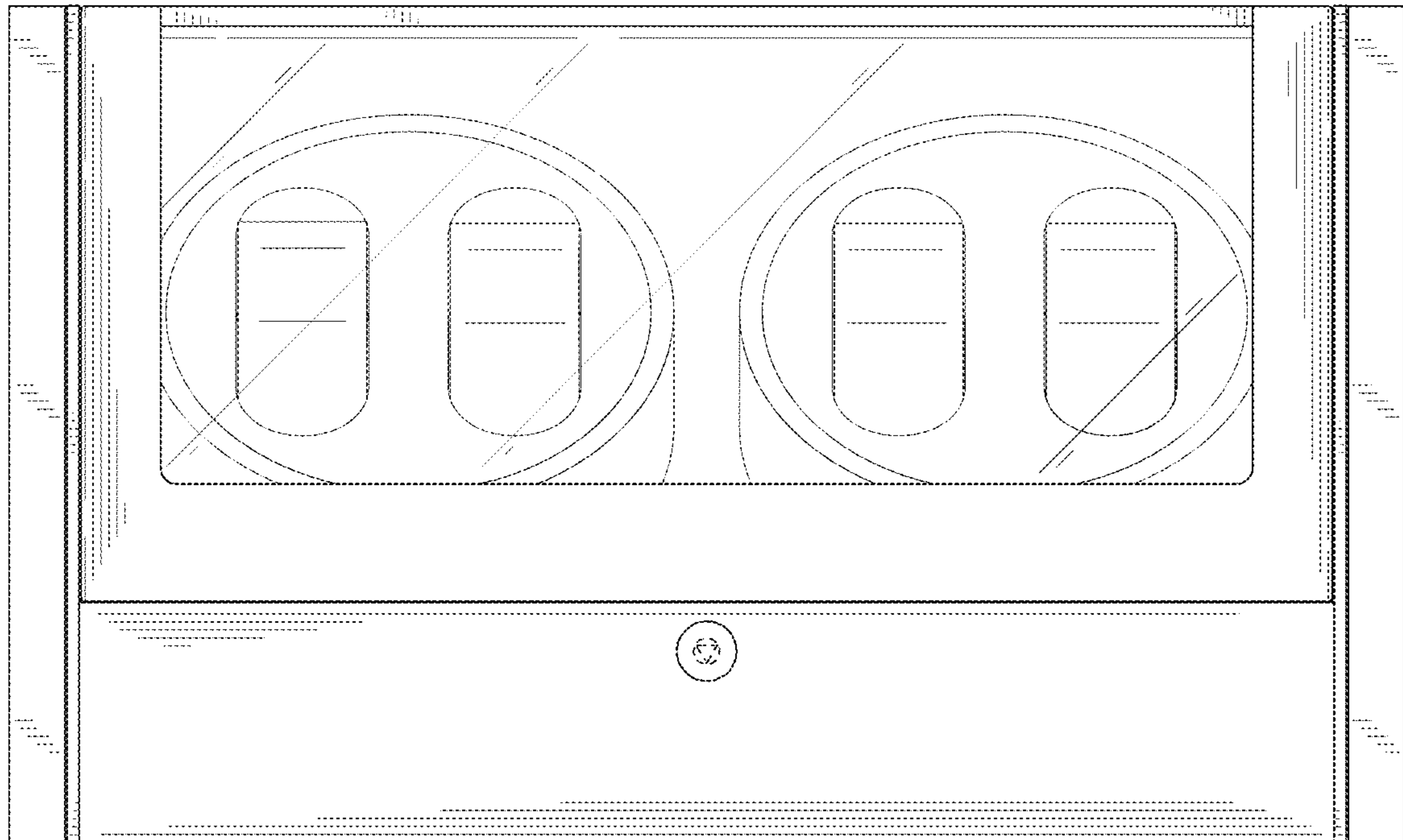


FIG. 2

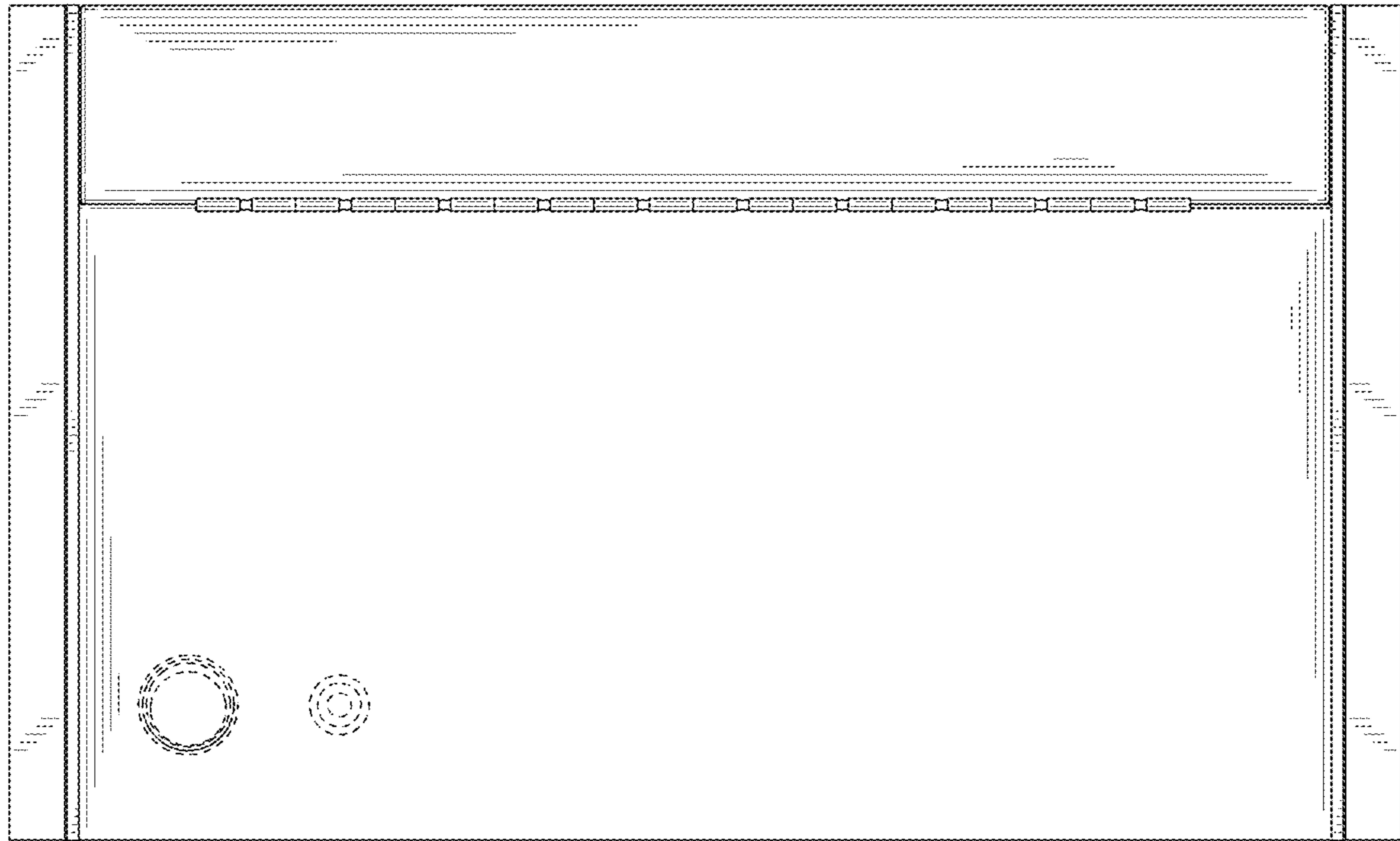


FIG. 3

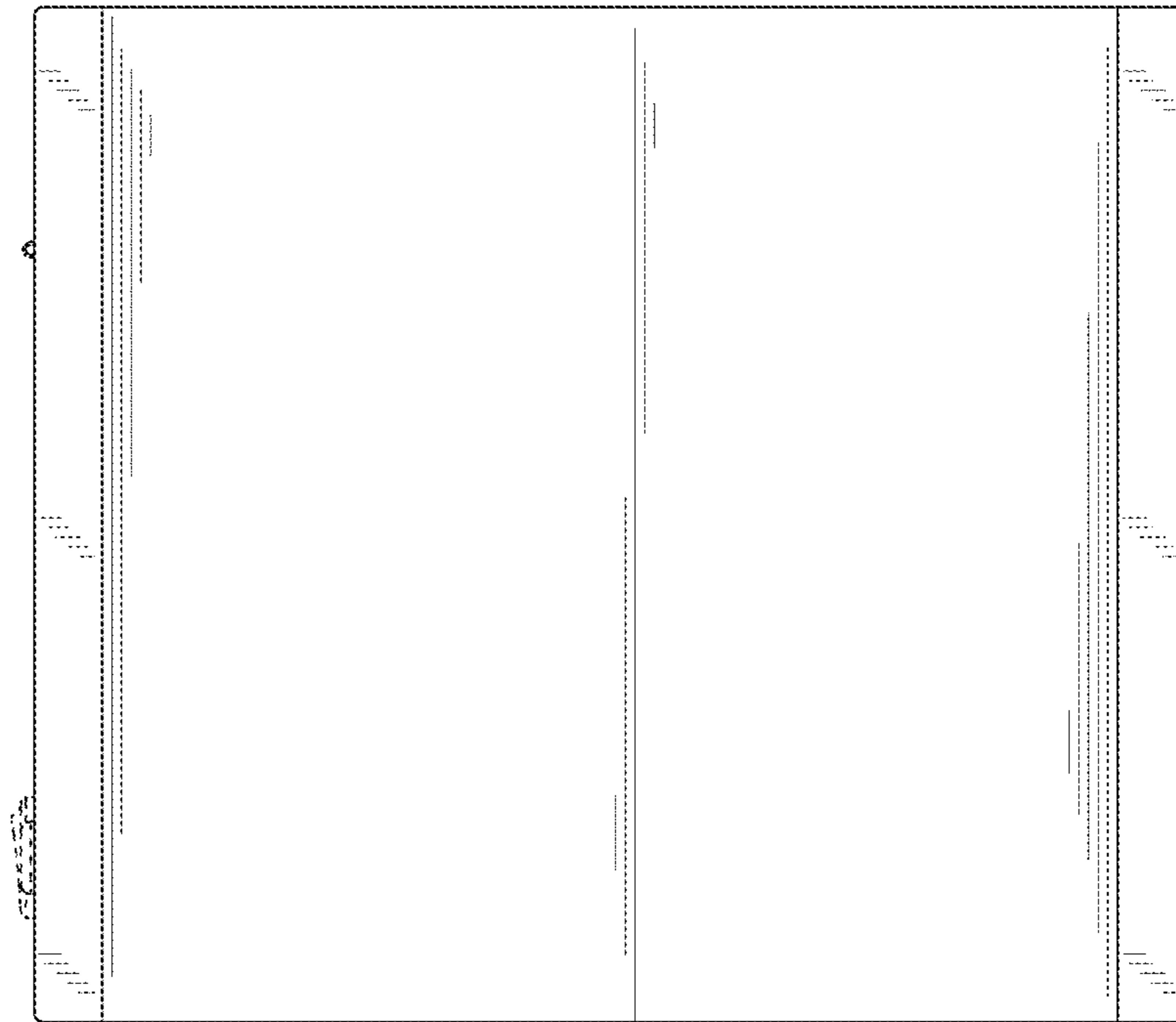


FIG. 4

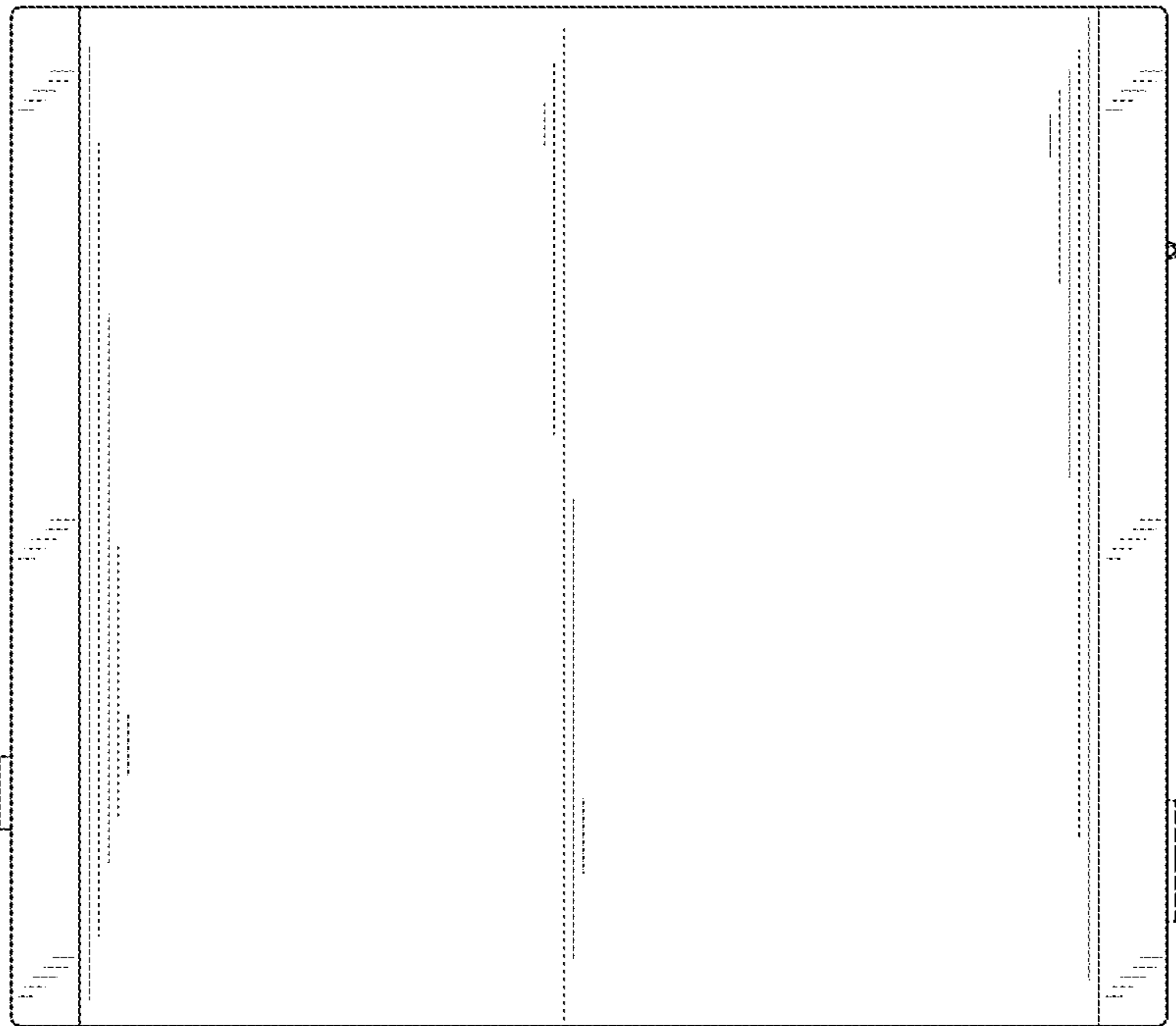


FIG. 5

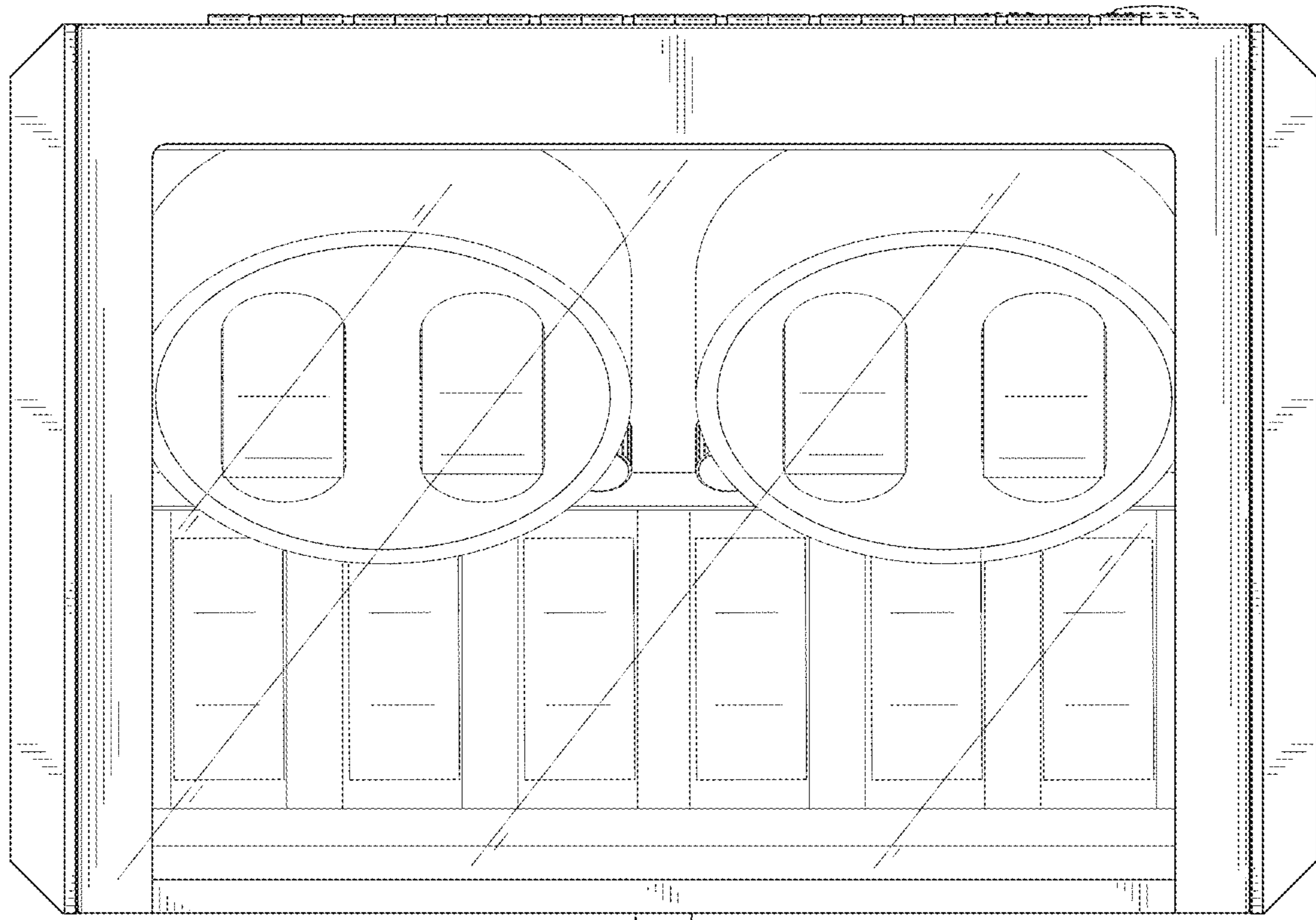


FIG. 6



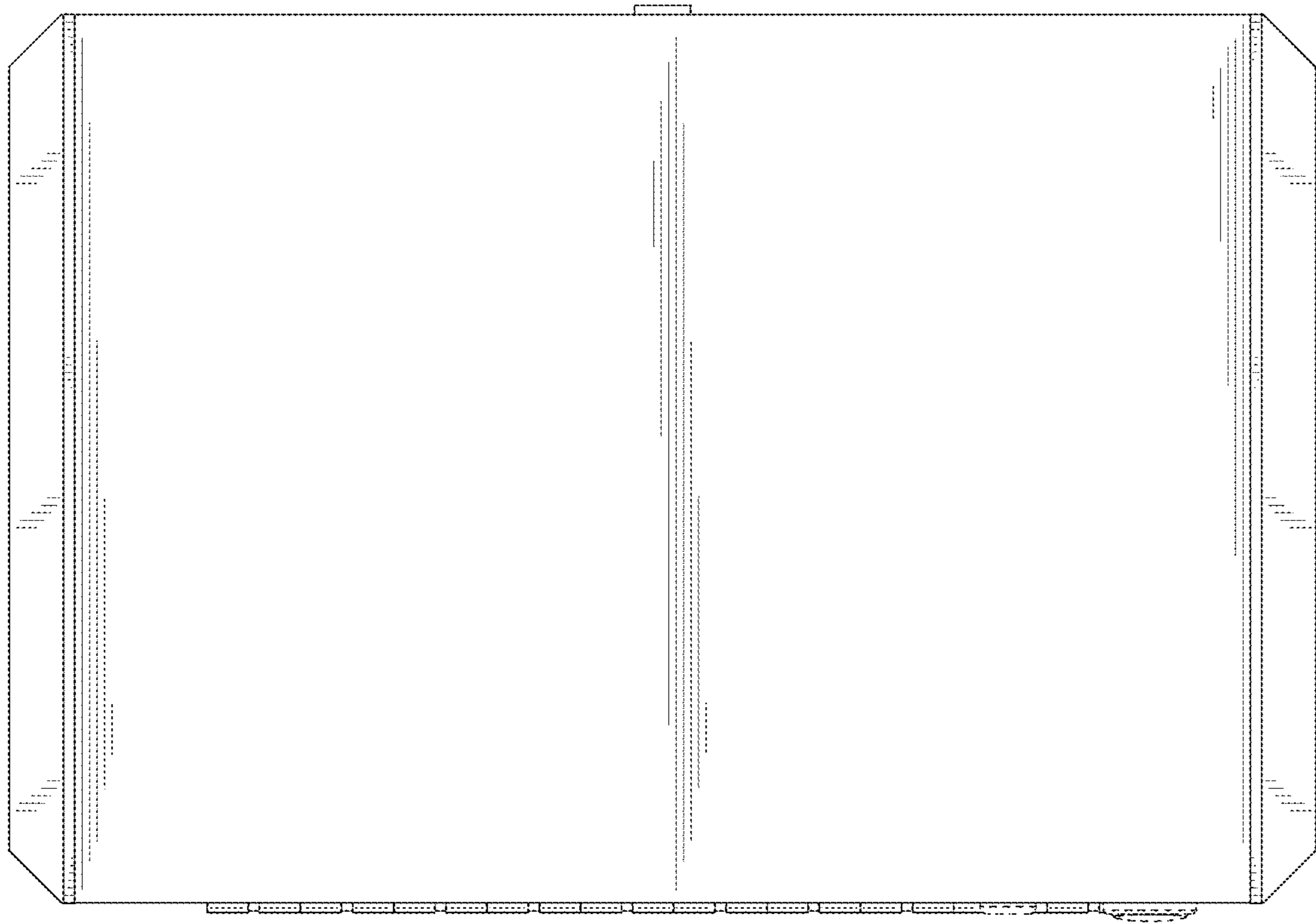


FIG. 7

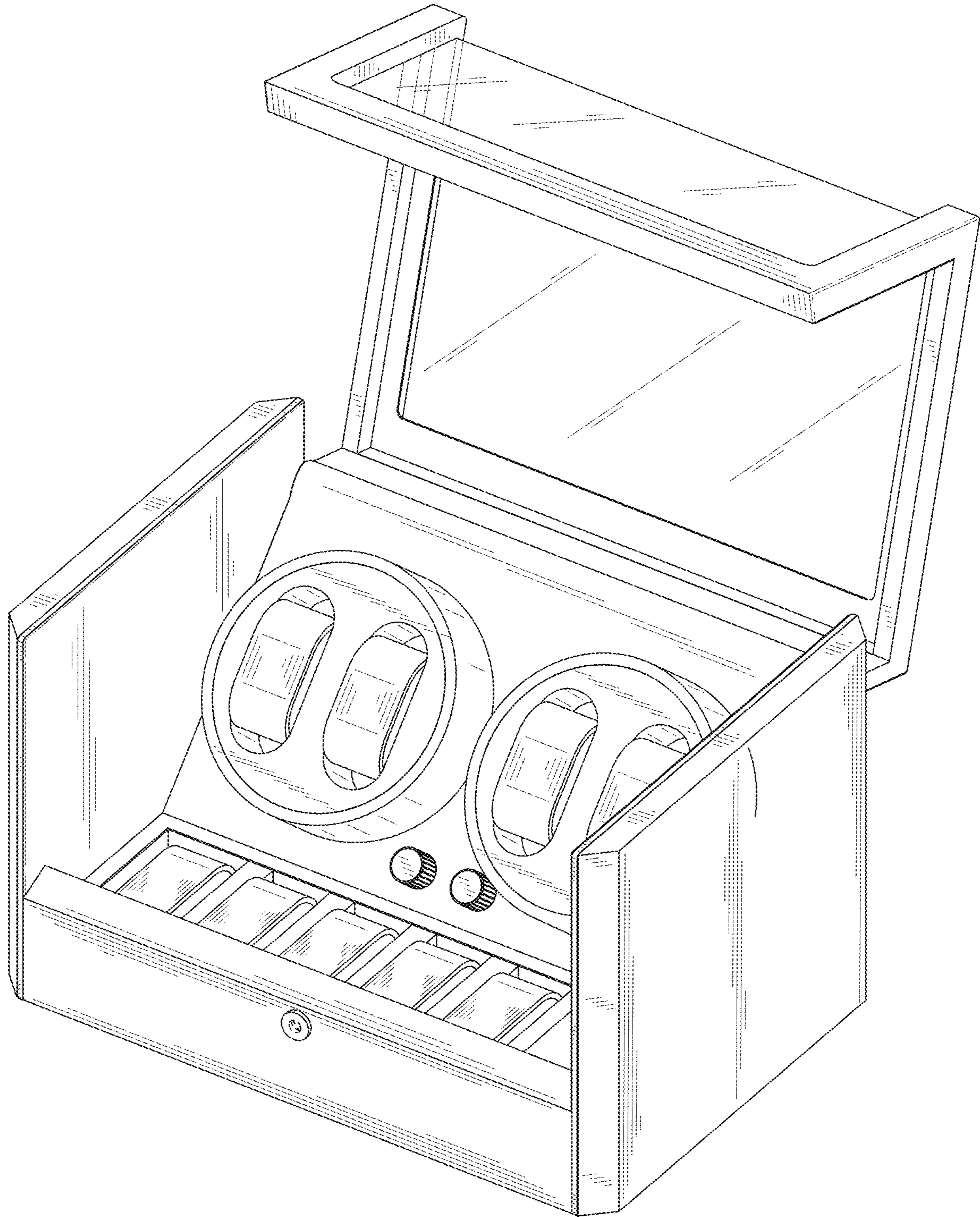


FIG. 8