



US00D952717S

(12) **United States Design Patent** (10) **Patent No.:** **US D952,717 S**
Zhang (45) **Date of Patent:** **** May 24, 2022**

(54) **LIQUID REPLACING DEVICE FOR VEHICLES**

1,814,153 A * 7/1931 Hartley B67D 7/60
222/182
2,190,908 A * 2/1940 Retsema B67D 7/60
222/32
2,242,288 A * 5/1941 Davis F16N 7/30
222/61

(71) Applicant: **Guangzhou Balance Machinery Co., Ltd.**, Guangdong (CN)

(Continued)

(72) Inventor: **Shaoyu Zhang**, Guangdong (CN)

FOREIGN PATENT DOCUMENTS

(73) Assignee: **Guangzhou Balance Machinery Co., Ltd.**, Guangdong (CN)

EP 1591412 A1 * 11/2005 B67D 7/0216

(**) Term: **15 Years**

Primary Examiner — Patricia A Palasik

(21) Appl. No.: **29/717,372**

(74) *Attorney, Agent, or Firm* — True Shepherd LLC;
Andrew C. Cheng

(22) Filed: **Dec. 17, 2019**

(57) **CLAIM**

(30) **Foreign Application Priority Data**

I claim the ornamental design for a liquid replacing device for vehicles, as shown and described.

Jun. 18, 2019 (CN) 201930315283.2

DESCRIPTION

(51) **LOC (13) Cl.** **15-09**

(52) **U.S. Cl.**
USPC **D15/152**

(58) **Field of Classification Search**
USPC D15/150–152; D34/12, 17, 18, 28;
23/205

CPC .. B67D 7/60; B67D 7/0205; Y10T 137/86099
See application file for complete search history.

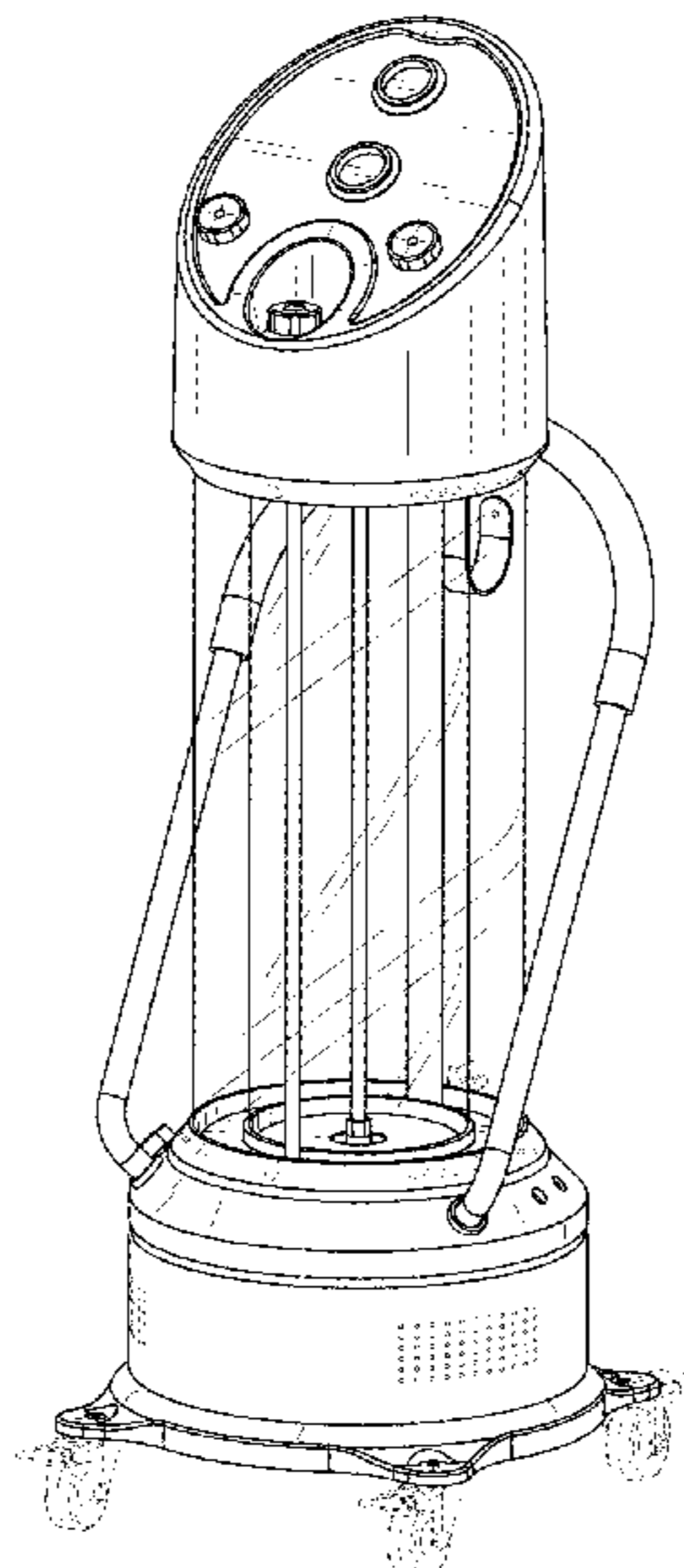
FIG. 1 is a front view of a liquid replacing device for vehicles showing my new design;
FIG. 2 is a rear view thereof;
FIG. 3 is a left-side view thereof;
FIG. 4 is a right-side view thereof;
FIG. 5 is a top view thereof;
FIG. 6 is a bottom view thereof;
FIG. 7 is a front perspective view thereof;
FIG. 8 is an enlargement of the top half of FIG. 1;
FIG. 9 is an enlargement of the bottom half of FIG. 1;
FIG. 10 is an enlargement of the top half of FIG. 2;
FIG. 11 is an enlargement of the bottom half of FIG. 2;
FIG. 12 is an enlargement of the top half of FIG. 3; and
FIG. 13 is an enlargement of the bottom half of FIG. 3;
FIG. 14 is an enlargement of the top half of FIG. 4; and,
FIG. 15 is an enlargement of the bottom half of FIG. 4.
The broken lines shown in the drawings are for the purpose of illustrating portions of the liquid replacing device for vehicles that form no part of the claimed design.

(56) **References Cited**

U.S. PATENT DOCUMENTS

89,892 A * 5/1869 Seeberger et al. E03C 1/046
137/565.25
1,627,898 A * 5/1927 Hatmaker B67D 7/60
417/517
1,637,146 A * 7/1927 Hatmaker B67D 7/60
222/27
1,661,498 A * 3/1928 Peck B67D 7/60
222/628
1,792,934 A * 2/1931 Schirmacher B67D 7/60
222/51

1 Claim, 15 Drawing Sheets



(56)

References Cited

U.S. PATENT DOCUMENTS

2,981,445 A * 4/1961 Russell B67D 7/0205
222/259
D224,043 S * 6/1972 Seeberger D15/152
D248,236 S * 6/1978 Senese D15/150
D261,520 S * 10/1981 Johnson, Sr. D15/150
5,154,317 A * 10/1992 Roppolo, III B05B 9/007
222/331
D395,439 S * 6/1998 King D15/150
6,357,492 B1 * 3/2002 Hsu B67D 7/0205
137/565.25
D477,620 S * 7/2003 Few D15/151
D478,107 S * 8/2003 Few D15/151
D497,624 S * 10/2004 Few F01P 11/06
D15/151
D504,449 S * 4/2005 Butchko D15/151
D654,522 S * 2/2012 Zhang D15/152
D734,795 S * 7/2015 Hoefler D15/152
D791,846 S * 7/2017 Zhang D15/122
10,059,579 B1 * 8/2018 Ridder G01F 11/023
2017/0138250 A1 * 5/2017 Tseng B67D 7/0205

* cited by examiner

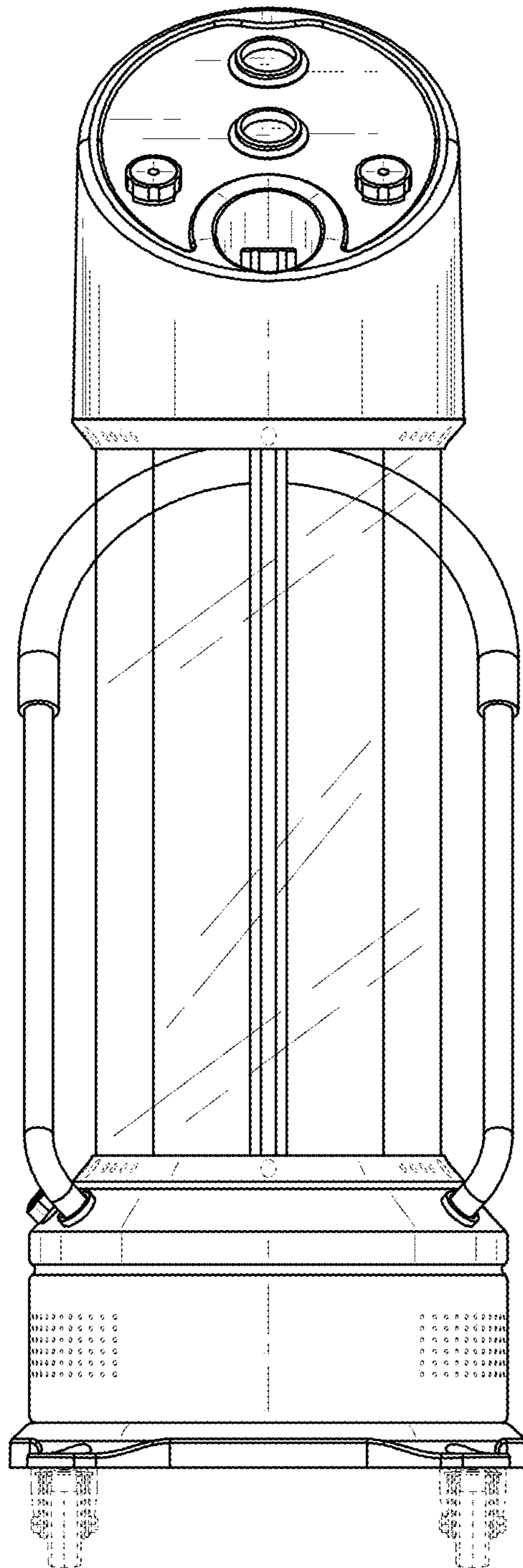


FIG. 1

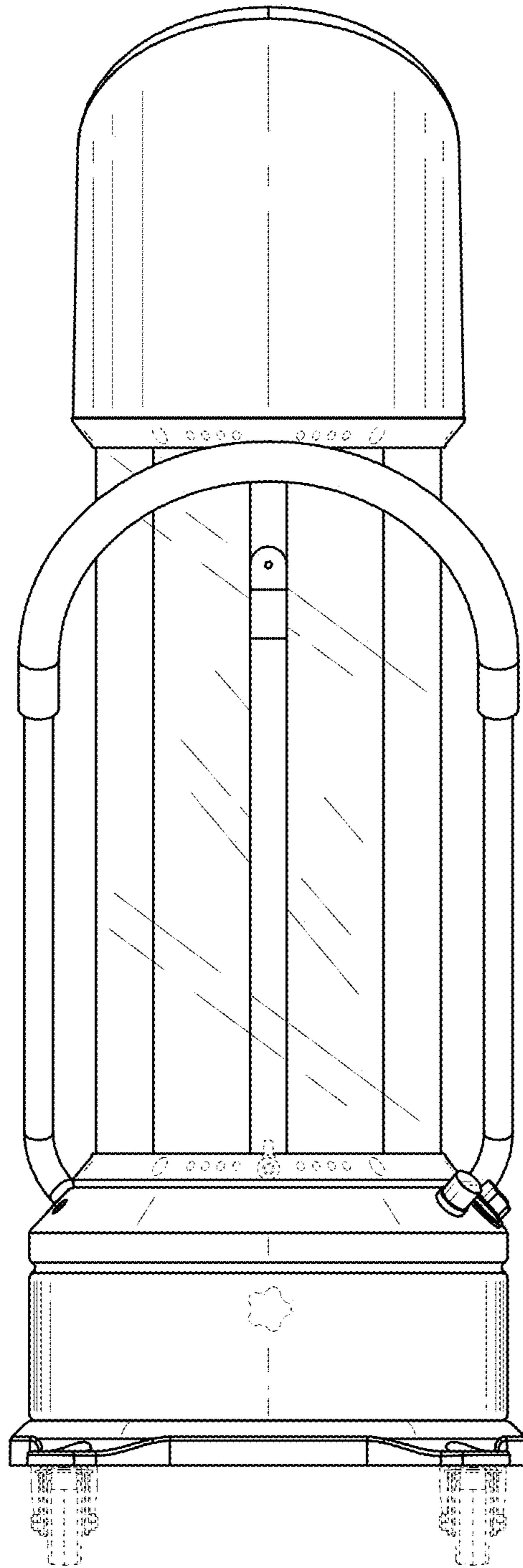


FIG. 2

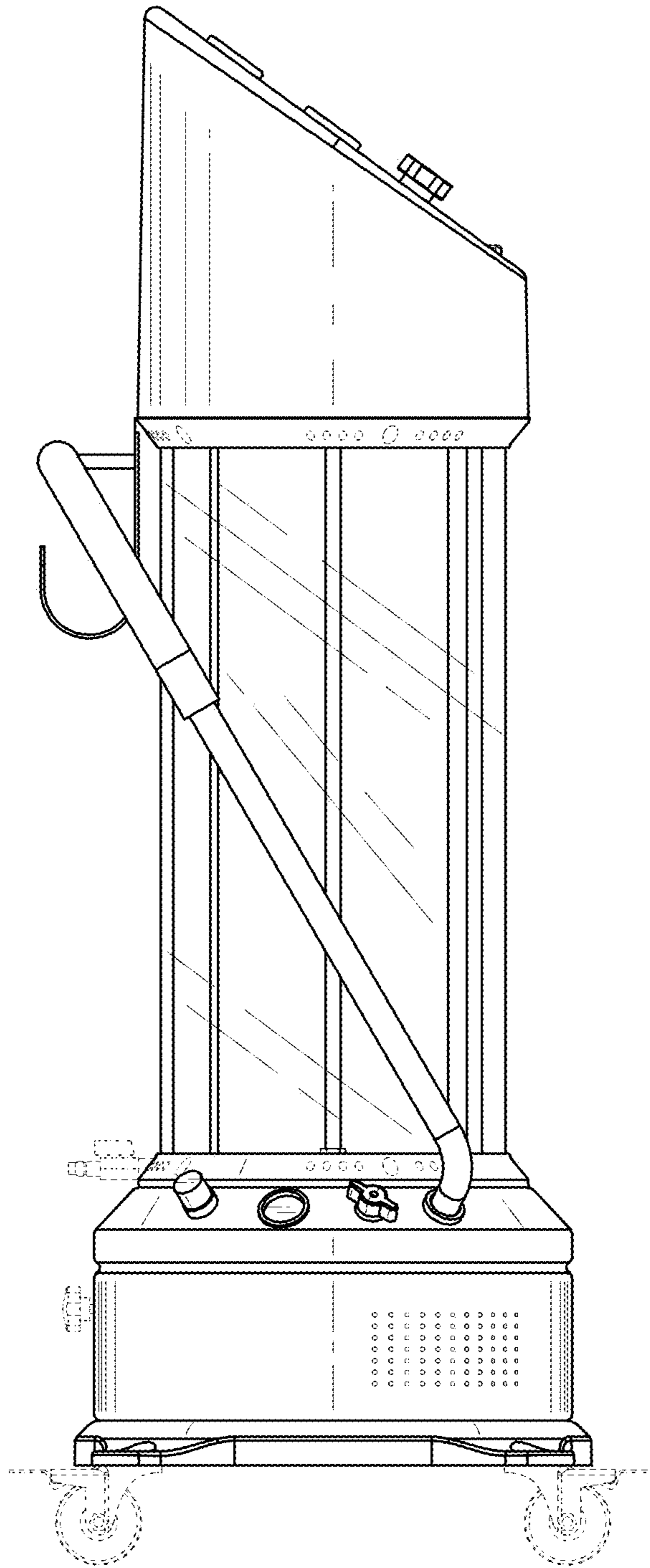


FIG. 3

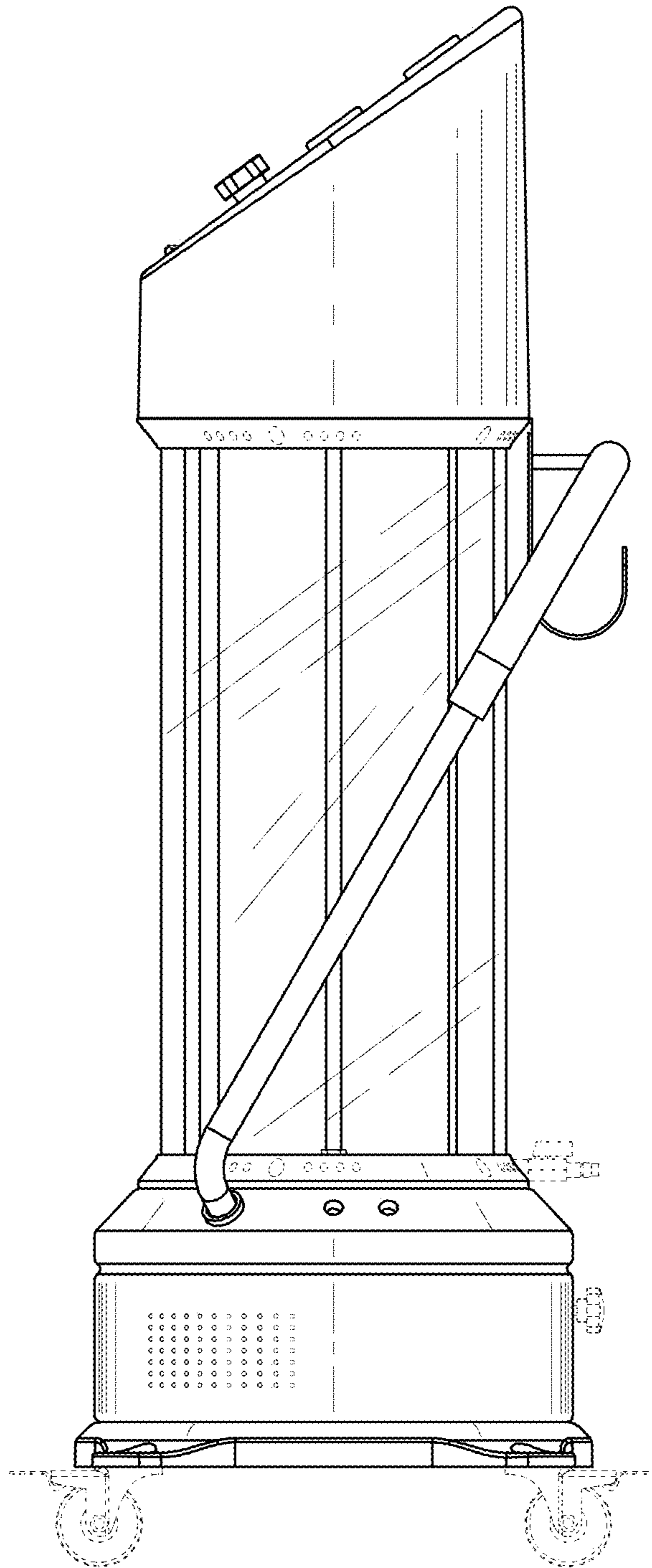


FIG. 4

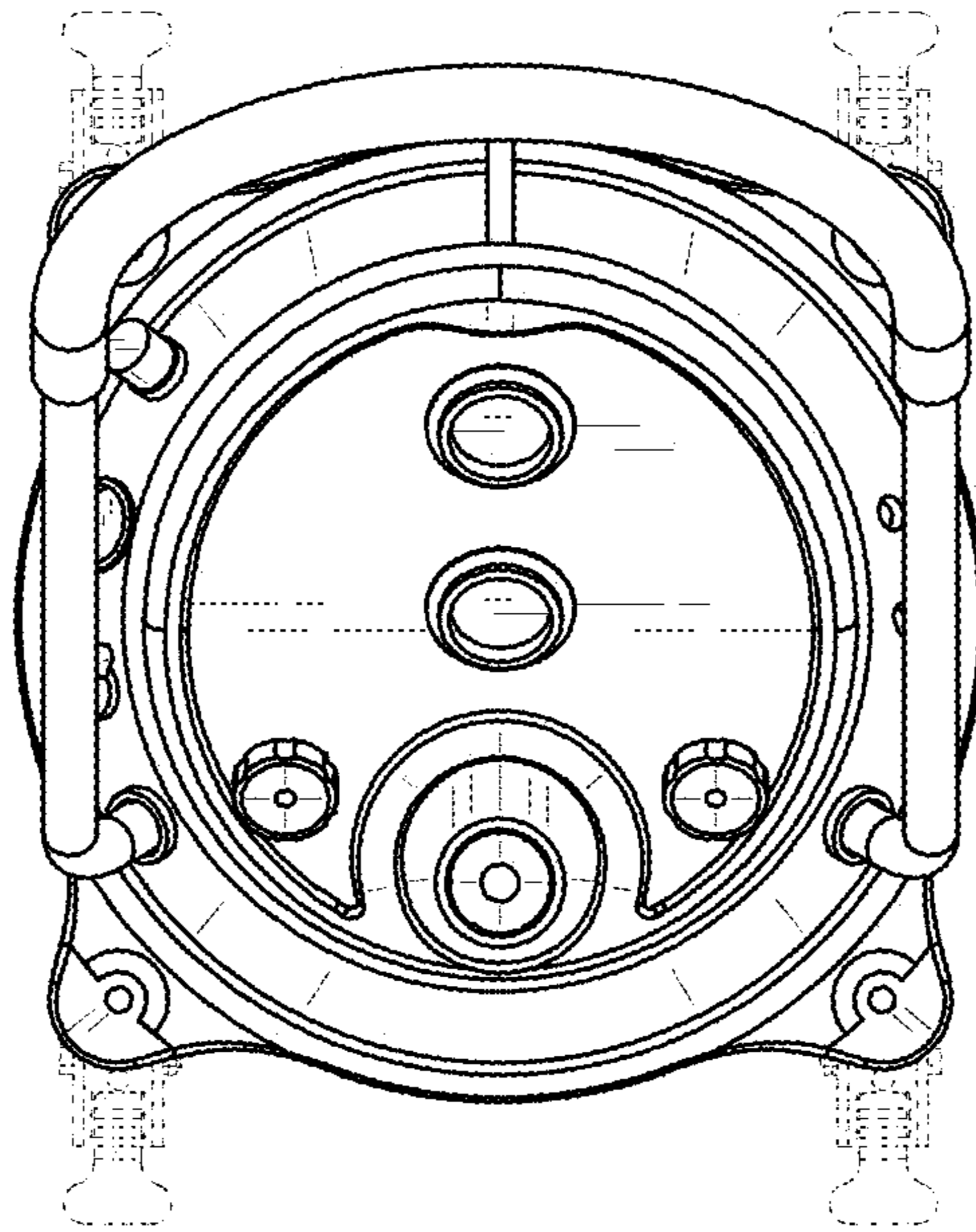


FIG. 5

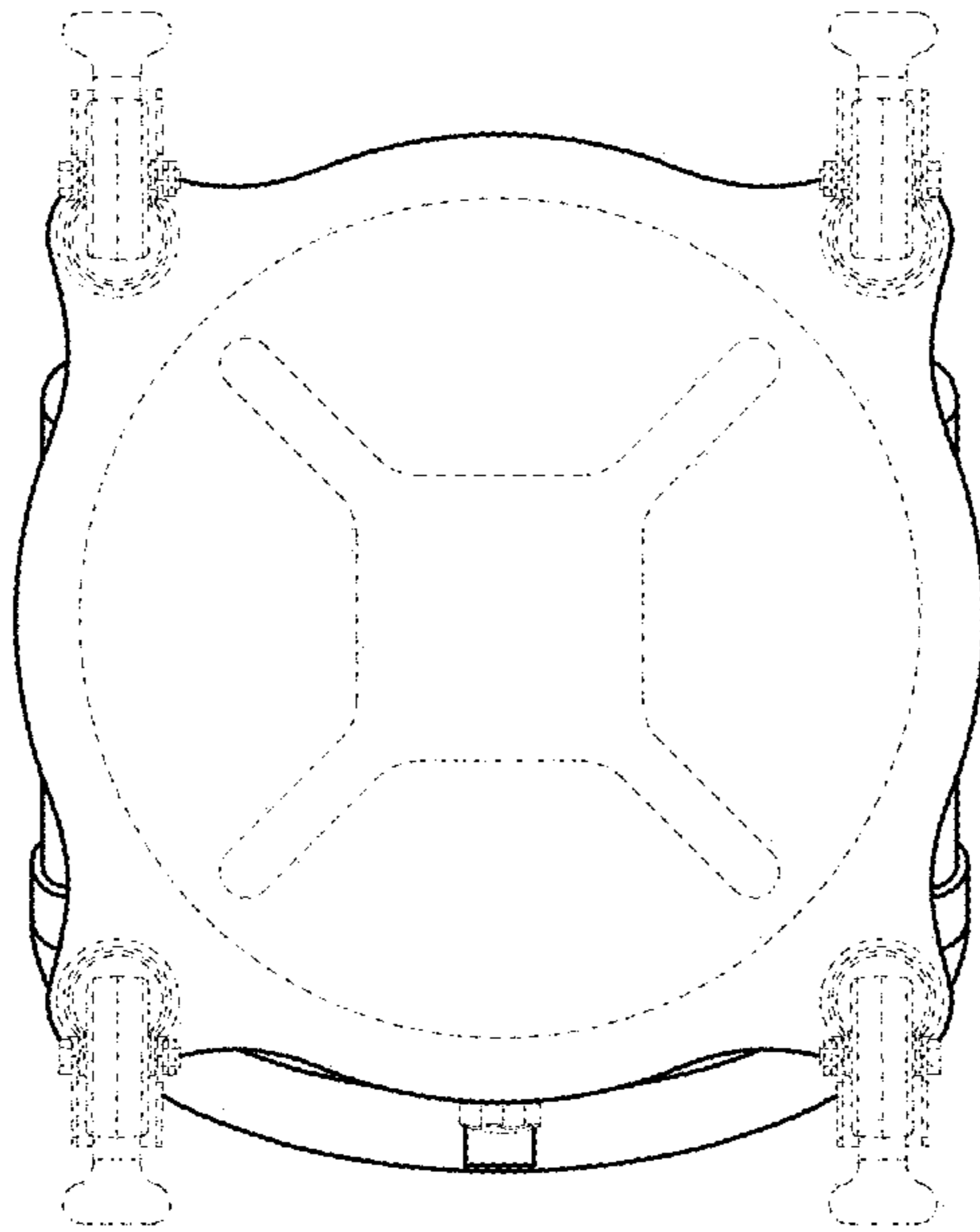


FIG. 6

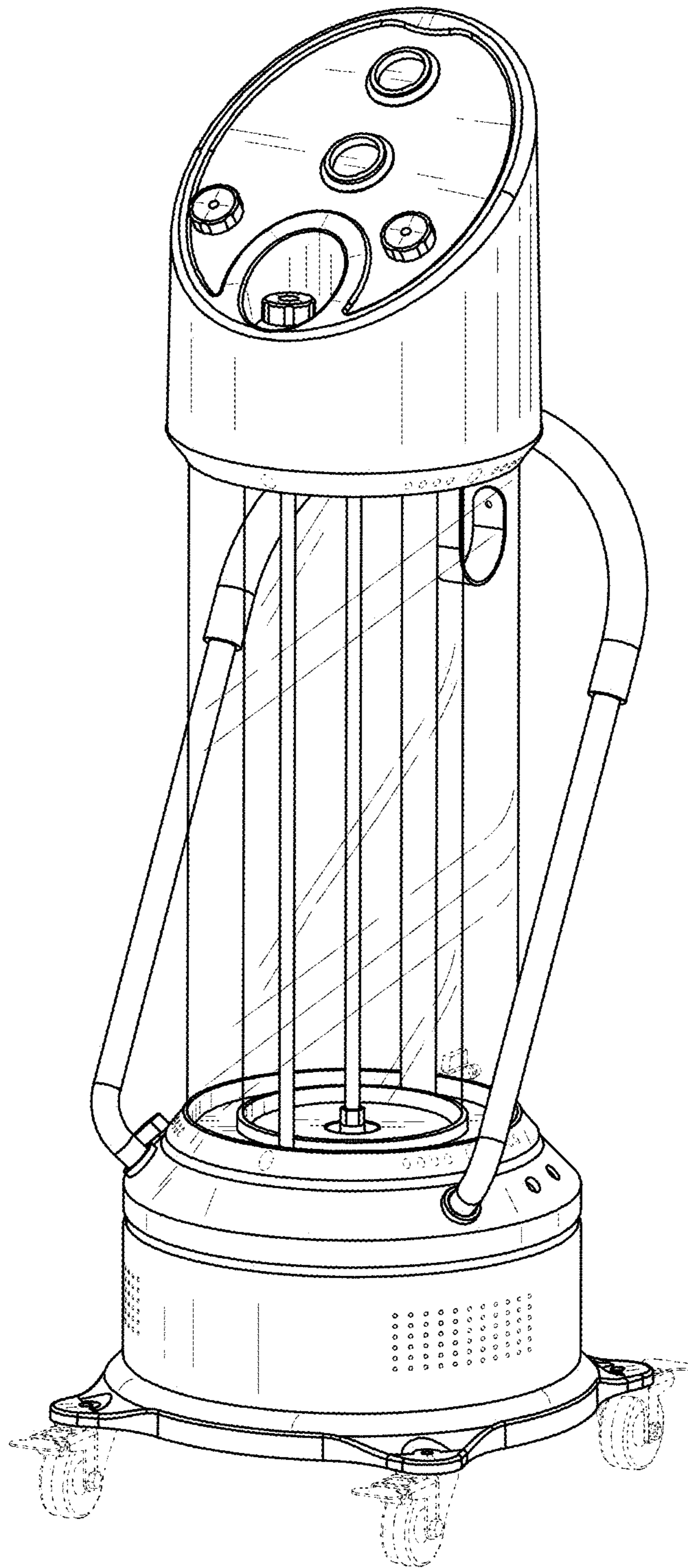


FIG. 7

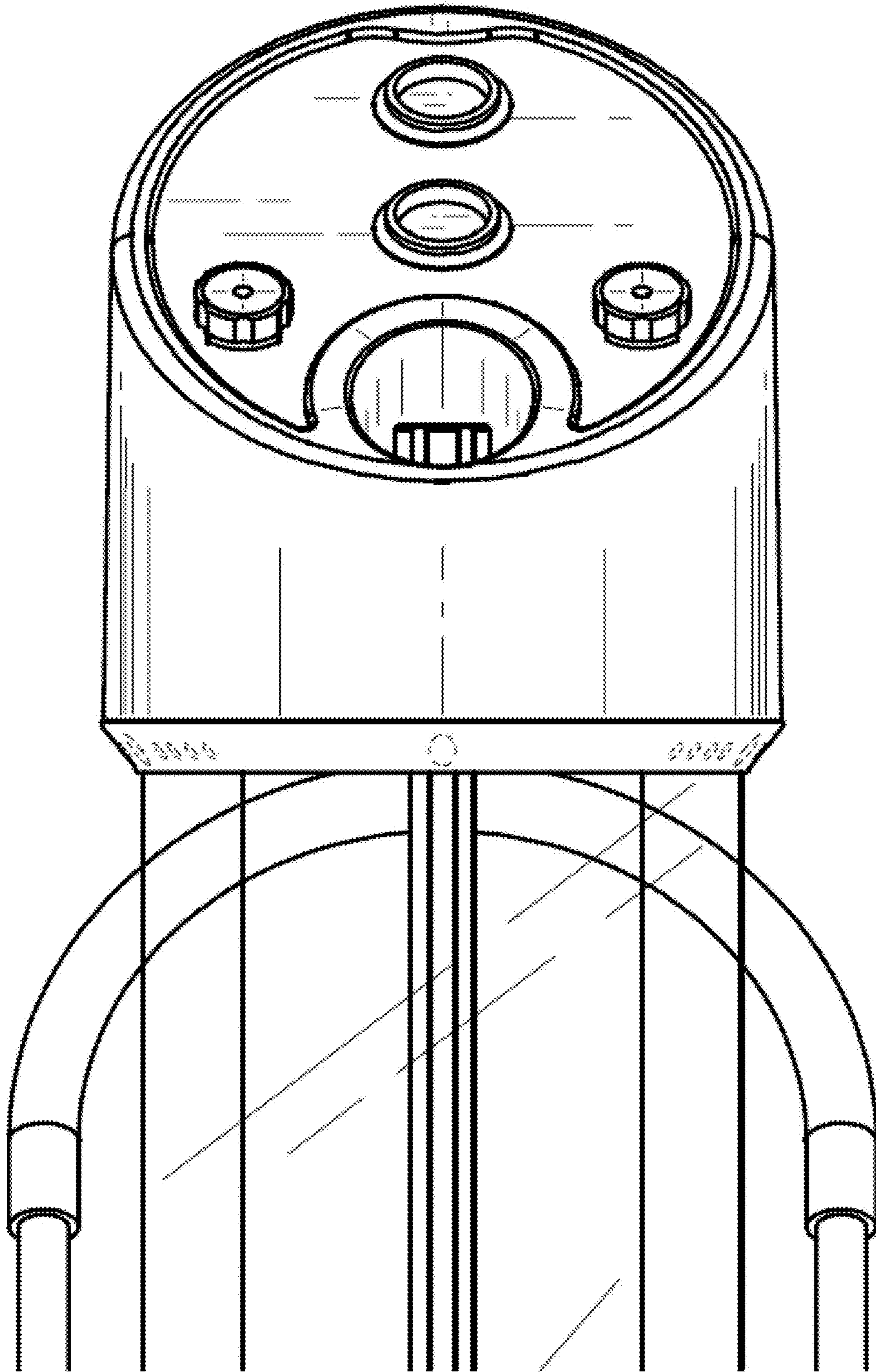


FIG. 8

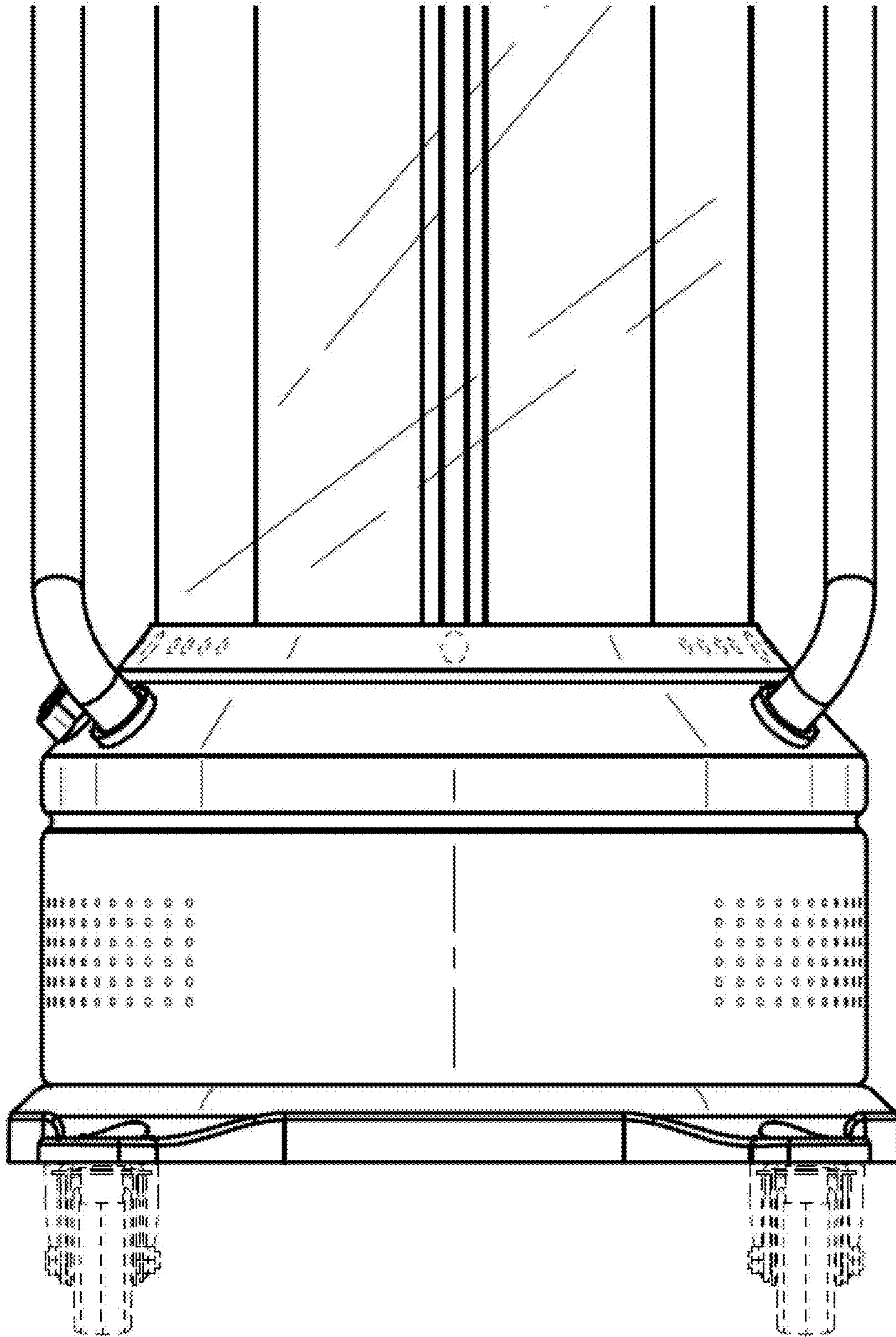


FIG. 9

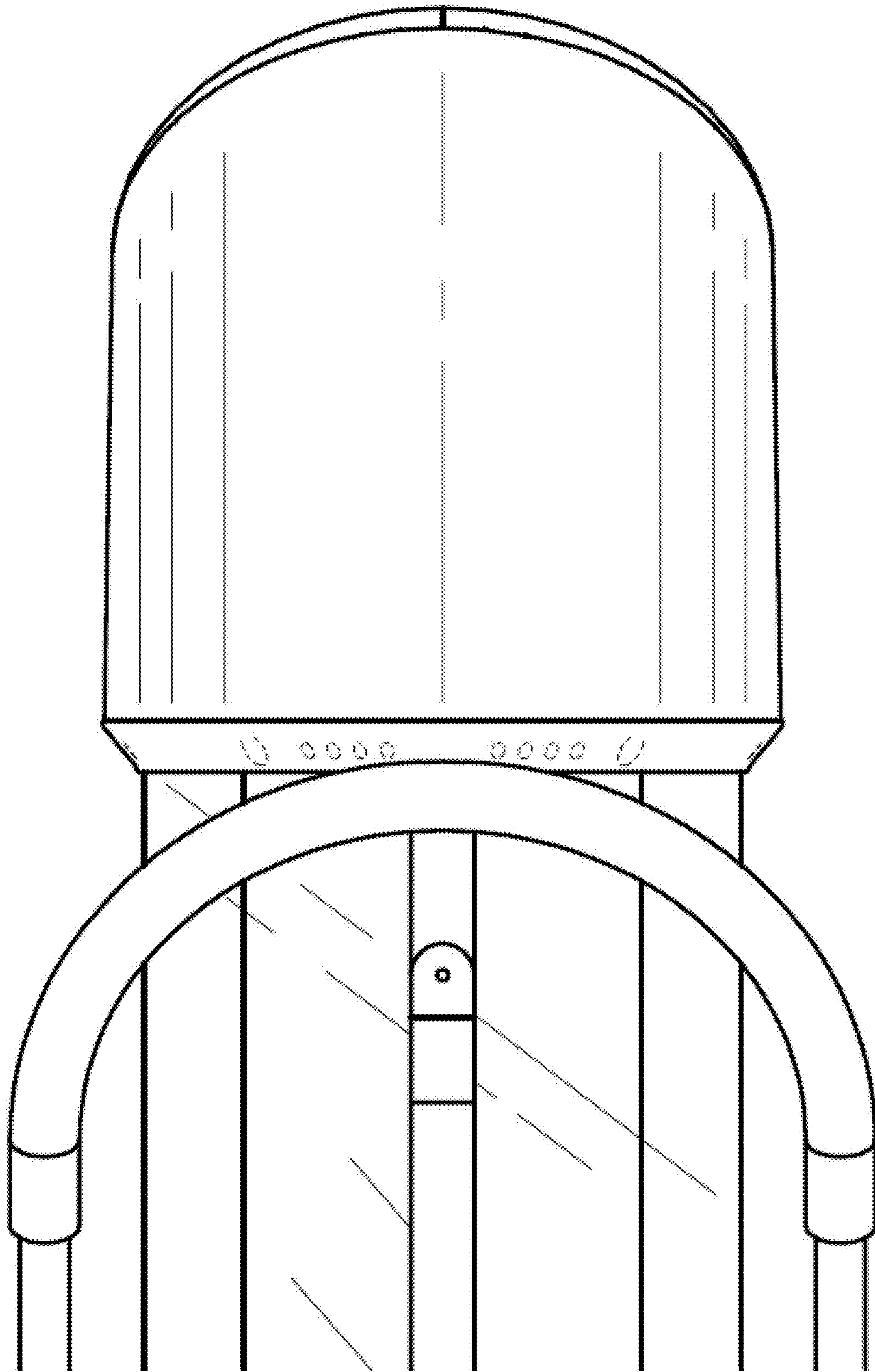


FIG. 10

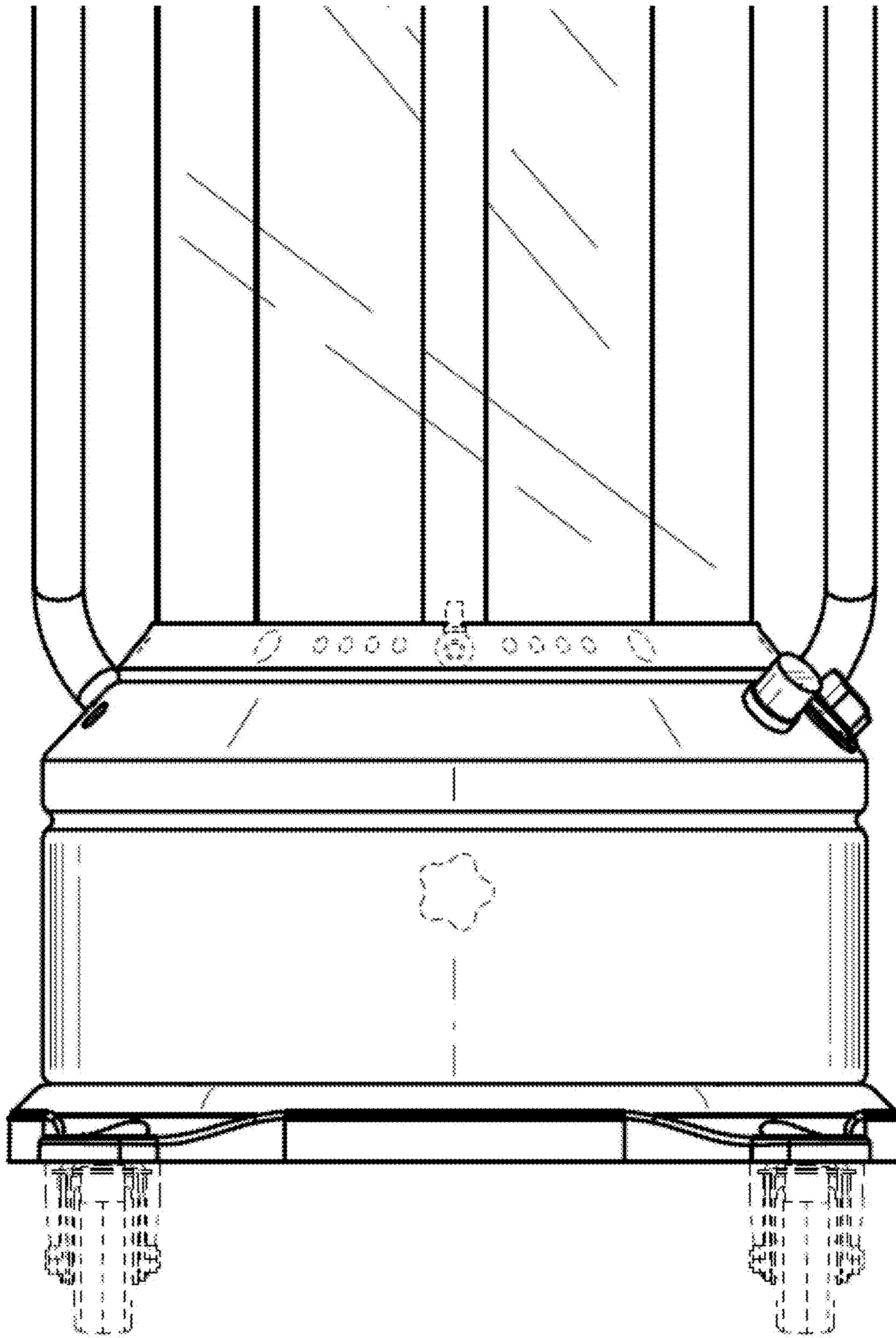


FIG. 11

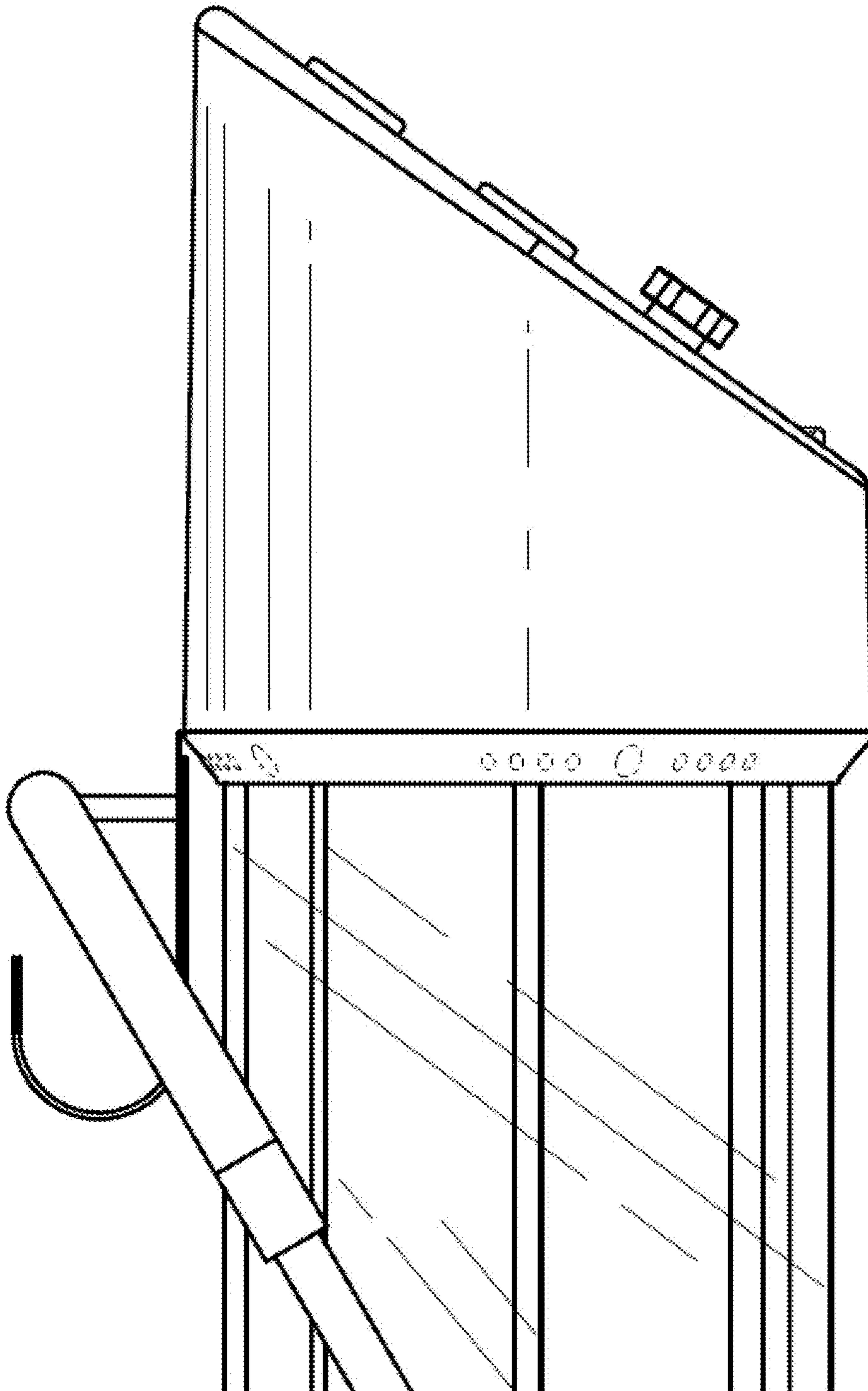


FIG. 12

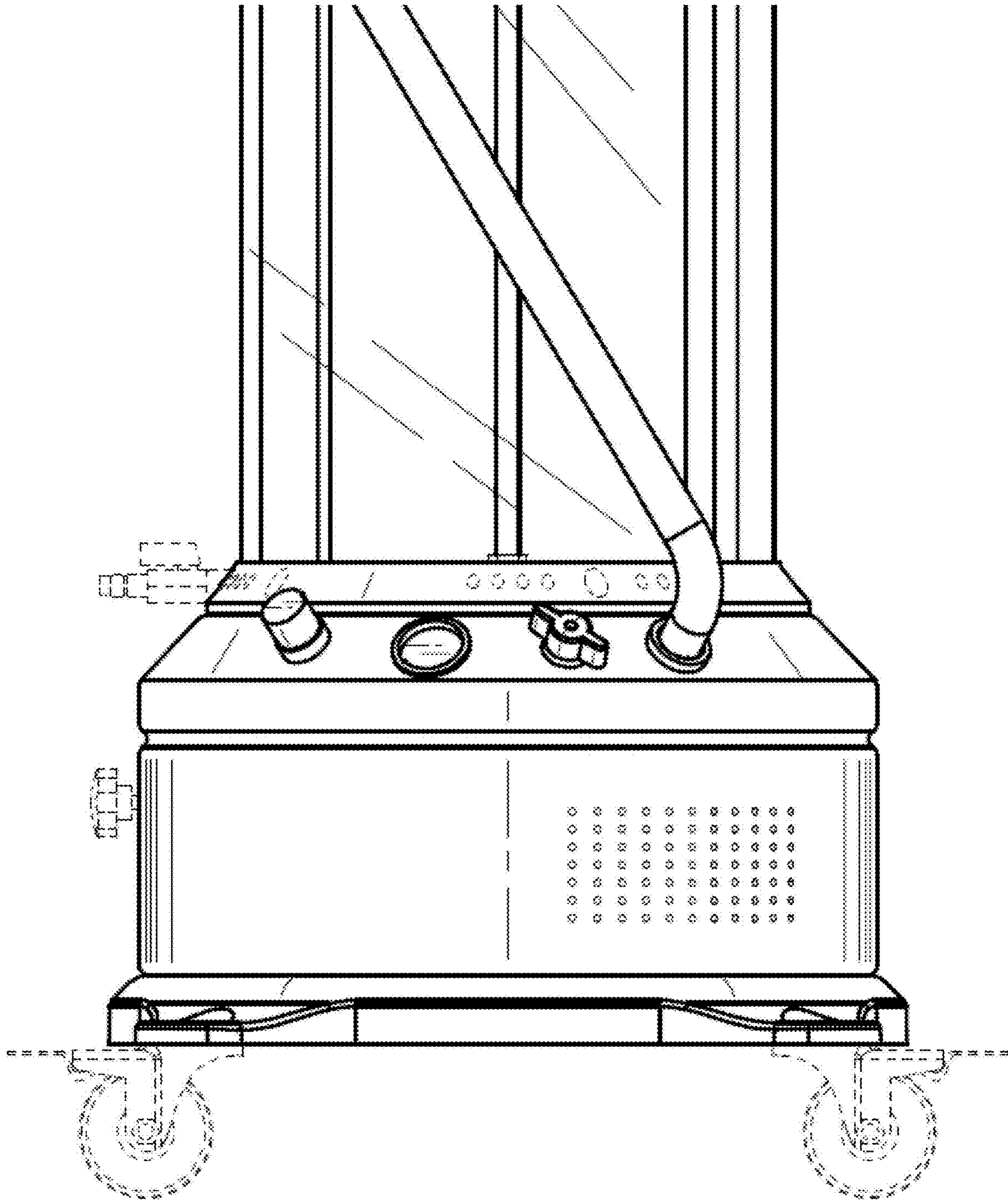


FIG. 13

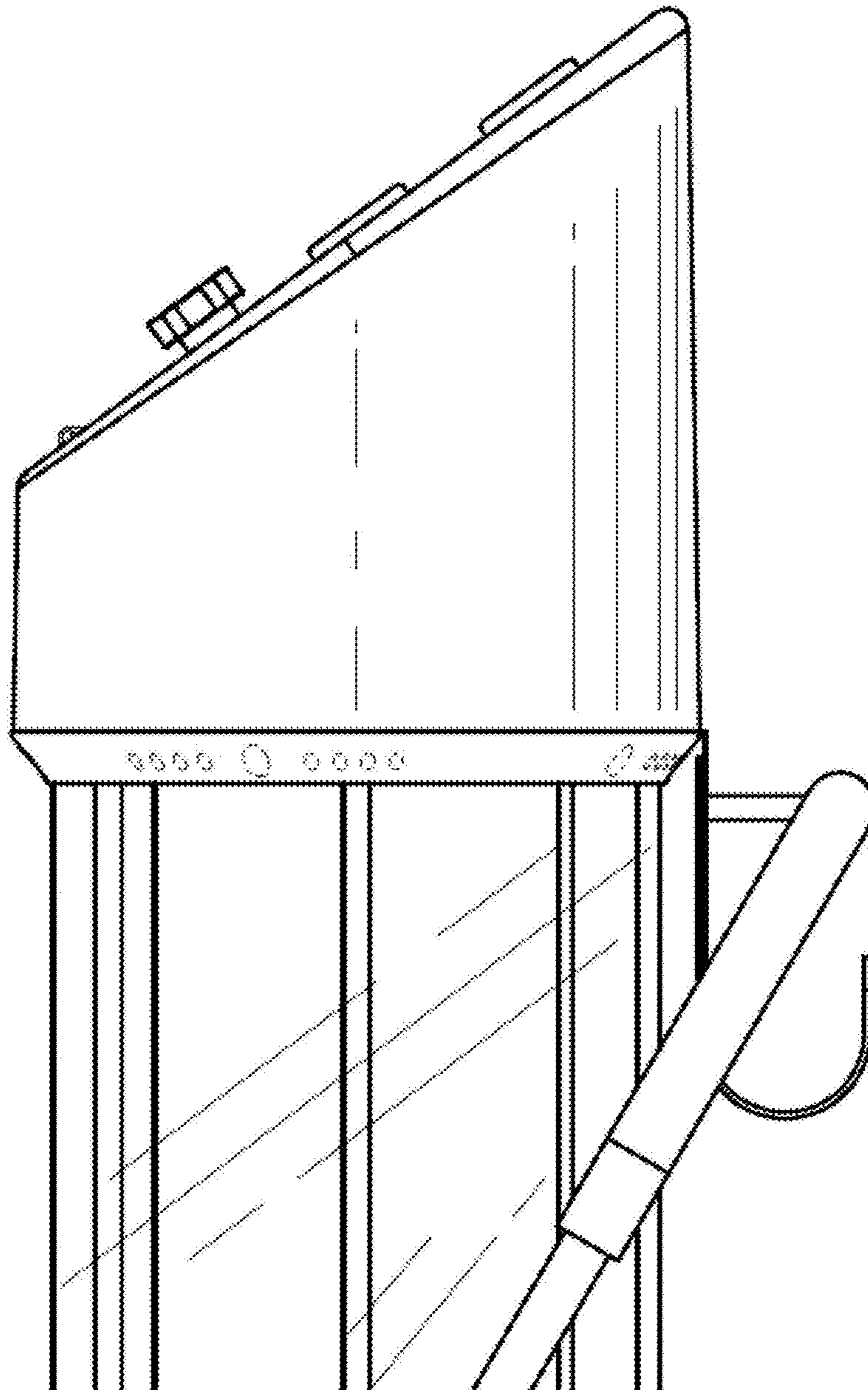


FIG. 14

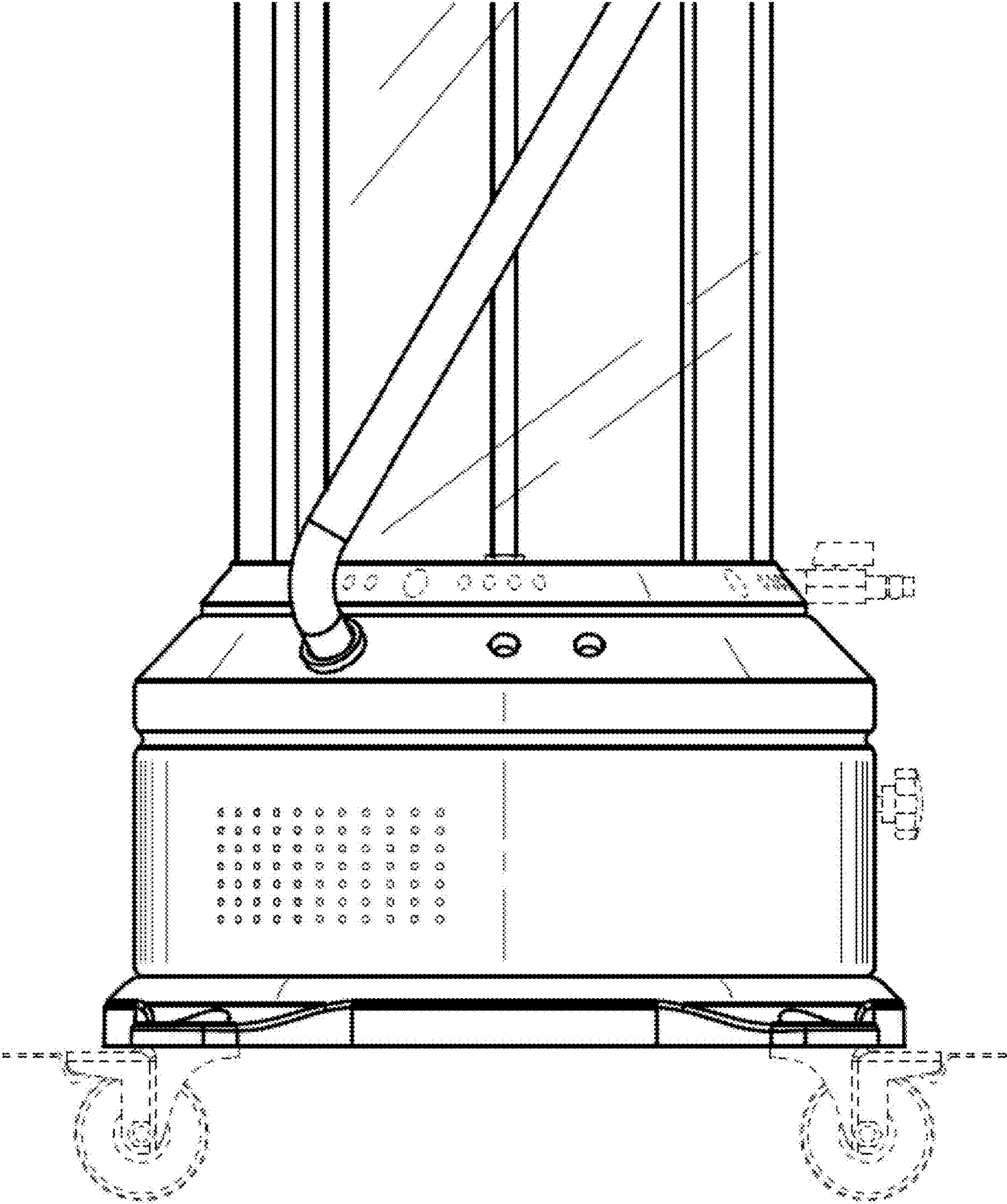


FIG. 15