



US00D952716S

(12) **United States Design Patent** (10) **Patent No.:** **US D952,716 S**
Eurich et al. (45) **Date of Patent:** **** May 24, 2022**

(54) **VACUUM SEALER**

(71) Applicant: **Sunbeam Products, Inc.**, Boca Raton, FL (US)

(72) Inventors: **Sean T Eurich**, Portage, MI (US);
Christian S Leyden, Portage, MI (US);
Marcel A Souza, Kalamazoo (BR)

(73) Assignee: **Sunbeam Products, Inc.**, Boca Raton, FL (US)

(**) Term: **15 Years**

(21) Appl. No.: **29/691,016**

(22) Filed: **May 13, 2019**

(51) **LOC (13) Cl.** **15-99**

(52) **U.S. Cl.**
USPC **D15/146**

(58) **Field of Classification Search**
USPC D15/134, 146; D18/50, 55; D14/125,
D14/214-216, 422

CPC B65B 31/00; B65B 31/02; B65B 31/024;
B65B 31/048; B65B 51/10; B65B 51/14;
B65B 51/146; B65B 41/12; B29C
66/8491; B29C 65/30

See application file for complete search history.

(56) **References Cited**

U.S. PATENT DOCUMENTS

5,048,269	A *	9/1991	Deni	B29C 66/81427
					53/512
D506,214	S *	6/2005	Zepter	D15/146
D515,601	S *	2/2006	Sholzberg	D15/146
D544,907	S *	6/2007	Tjin Wong Joe	D18/55
D597,572	S *	8/2009	Tsai	D15/146
D633,118	S *	2/2011	Beatty	D15/146
D658,694	S *	5/2012	Day	D15/146
D686,212	S *	7/2013	Yamano	D14/422
D694,793	S *	12/2013	Cumming	D15/146
D694,794	S *	12/2013	Cumming	D15/146

D763,334	S *	8/2016	Yoshitomi	D15/146
D777,248	S *	1/2017	Oguchi	D18/50
D788,199	S *	5/2017	Owens	D15/146
D789,431	S *	6/2017	Owens	D15/146
D820,905	S *	6/2018	Wan	D18/50
D823,913	S *	7/2018	Chou	D15/146
D847,226	S *	4/2019	Owens	D15/134
D854,065	S *	7/2019	Owens	D15/146
D854,594	S *	7/2019	Carey	D15/146
D871,470	S *	12/2019	Xu	D15/146
D881,245	S *	4/2020	Zheng	D15/146
D902,271	S *	11/2020	Chen	D15/145

(Continued)

OTHER PUBLICATIONS

Foodsaver, VS3182 Multi-Use Vacuum Sealing & Food Preservation System, (site visited Mar. 11, 2021), Foodsaver.com, URL:<<https://www.foodsaver.com/food-vacuum-sealers/countertop-vacuum-sealers/>> (Year: 2021).*

(Continued)

Primary Examiner — Calvin E Vansant
Assistant Examiner — Mark T. Philipps

(57) **CLAIM**

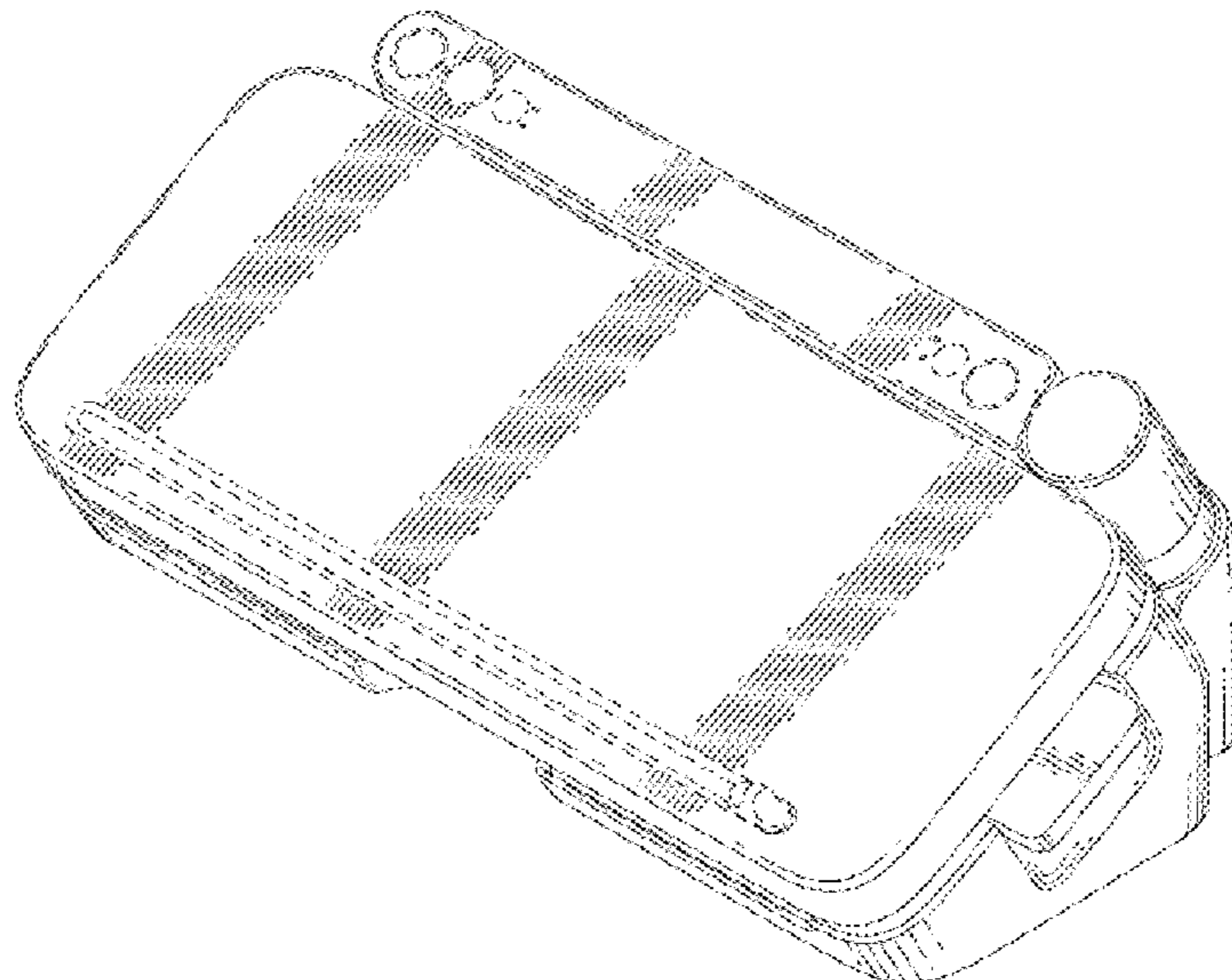
The ornamental design for a vacuum sealer, as shown and described.

DESCRIPTION

FIG. 1 is a front perspective view of the vacuum sealer in a closed position;
FIG. 2 is a front view thereof;
FIG. 3 is a rear view thereof;
FIG. 4 is left side view thereof;
FIG. 5 is a right side view thereof;
FIG. 6 is a top view thereof; and,
FIG. 7 is a bottom view thereof.

The broken lines depict portions of the vacuum sealer that form no part of the claimed design.

1 Claim, 6 Drawing Sheets



(56)

References Cited

U.S. PATENT DOCUMENTS

2005/0223682 A1* 10/2005 Sung B65B 31/046
53/512
2007/0199283 A1* 8/2007 Sung B65B 31/046
53/512
2009/0255221 A1* 10/2009 Lyman, Jr. B65B 31/046
53/512
2012/0060447 A1* 3/2012 Liu B29C 65/224
53/434
2013/0232925 A1* 9/2013 Huang B65B 51/148
53/510
2014/0196405 A1* 7/2014 Owens B29C 66/91212
53/396
2016/0101885 A1* 4/2016 Ledger B29C 66/00145
53/110
2018/0079538 A1* 3/2018 Hu B65B 31/024
2018/0079544 A1* 3/2018 Palese B65B 7/02
2018/0370669 A1* 12/2018 Xu B29C 65/7891
2019/0009941 A1* 1/2019 Schandel B65B 61/26
2019/0055042 A1* 2/2019 Leppert B29C 65/224
2020/0299013 A1* 9/2020 Ye B29C 66/1122

OTHER PUBLICATIONS

Foodsaver, VS3150 Multi-Use Vacuum Sealing & Food Preservation, (first available Jul. 1, 2020), Amazon.com, URL:<<https://www.amazon.com/FoodSaver-VS3150-Multi-Use-Preservation-Additional/dp/B0892M5VW4>> (Year: 2020).*

Foodsaver, FM2435 Vacuum Sealer Machine with Bonus Handheld Sealer, (first available Jan. 6, 2016), Amazon.com, URL:<<https://www.amazon.com/FoodSaver-FM2435-Machine-Handheld-Certified/dp/B01C464ZCQ>> (Year: 2016).*

* cited by examiner

FIG. 1

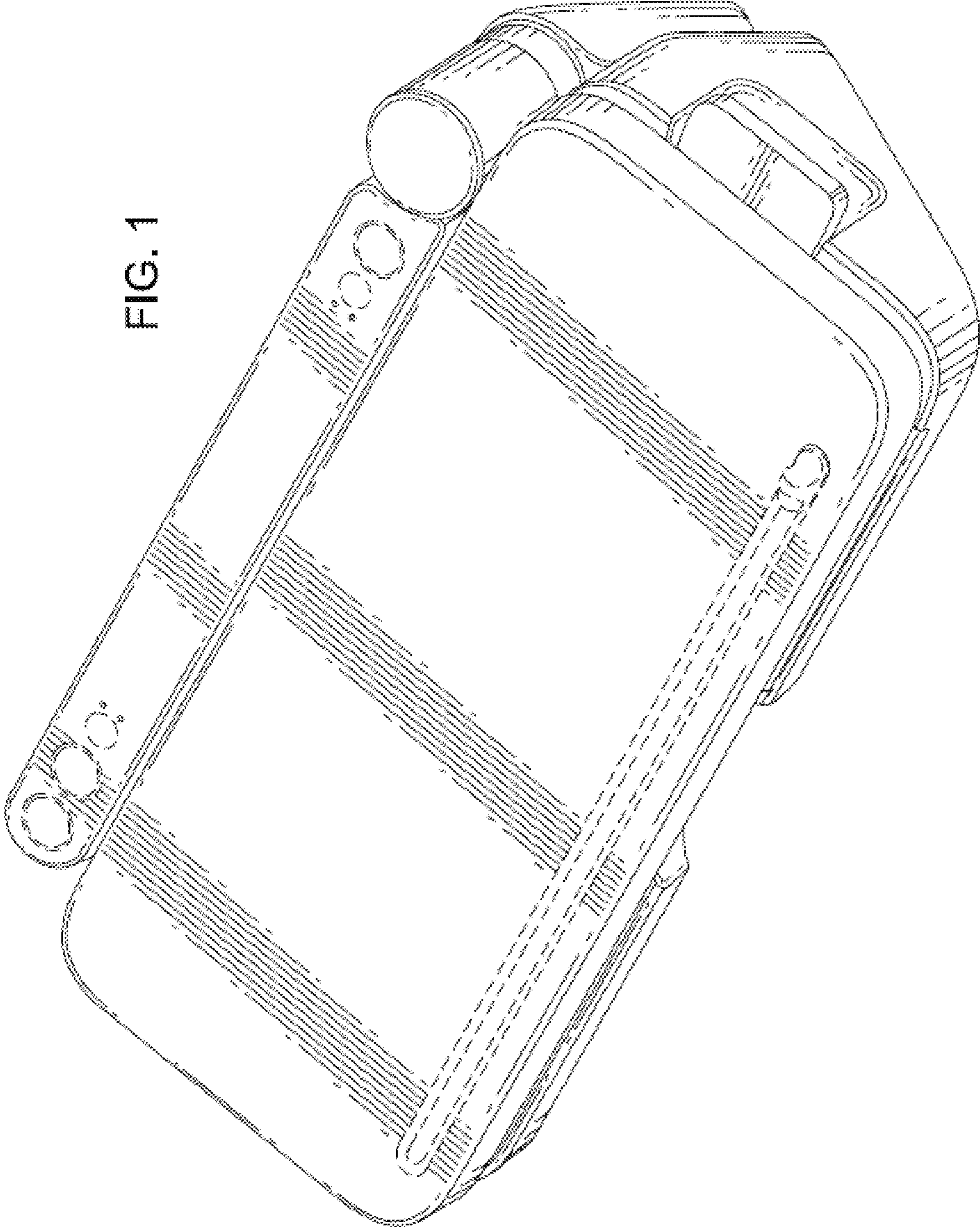


FIG. 2

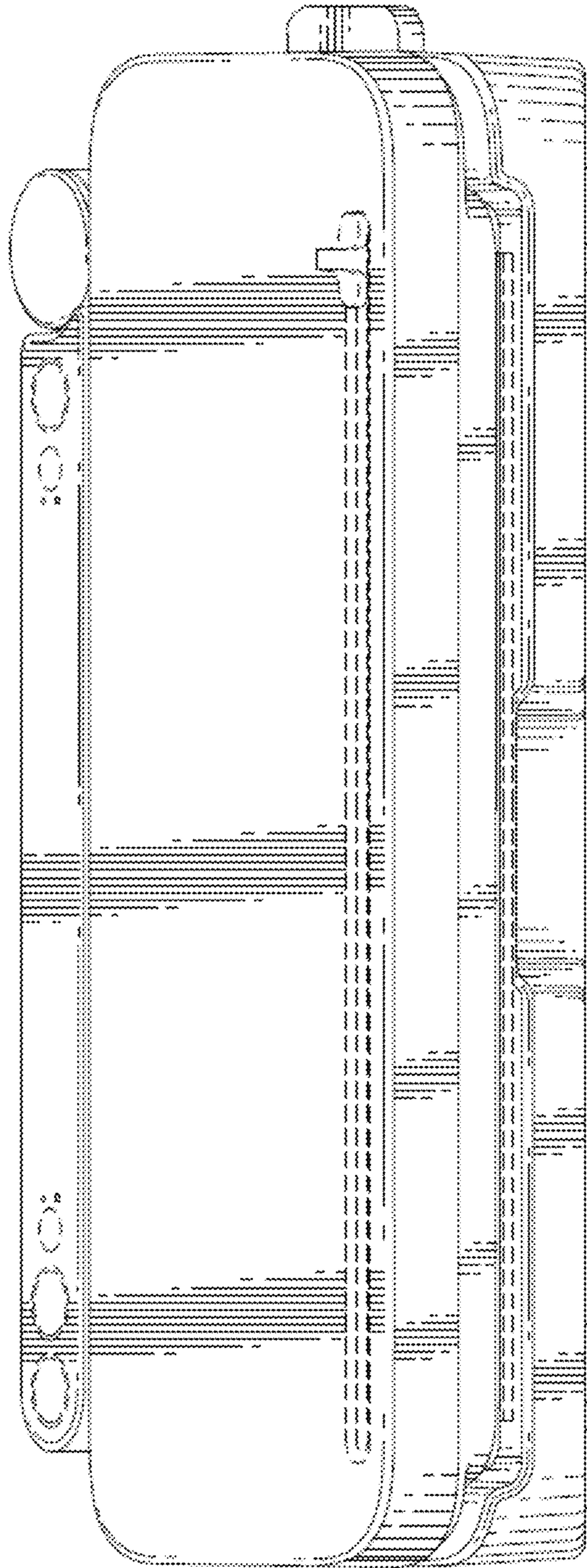
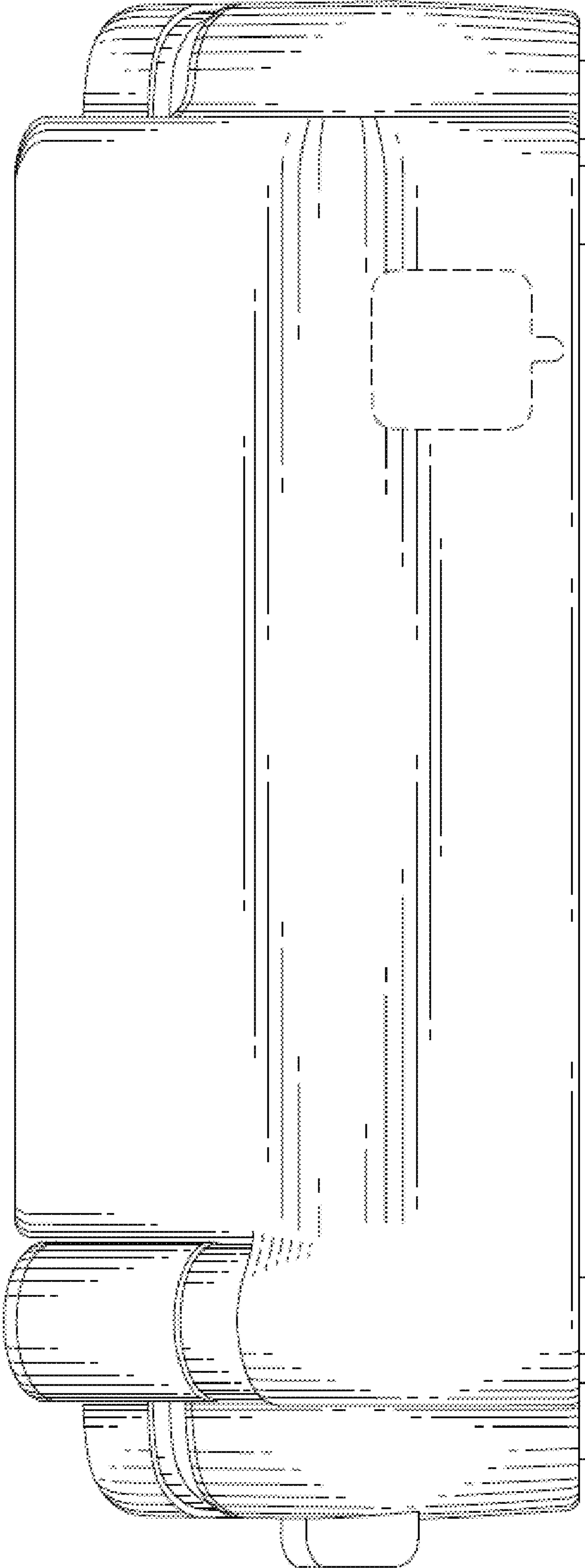


FIG. 3



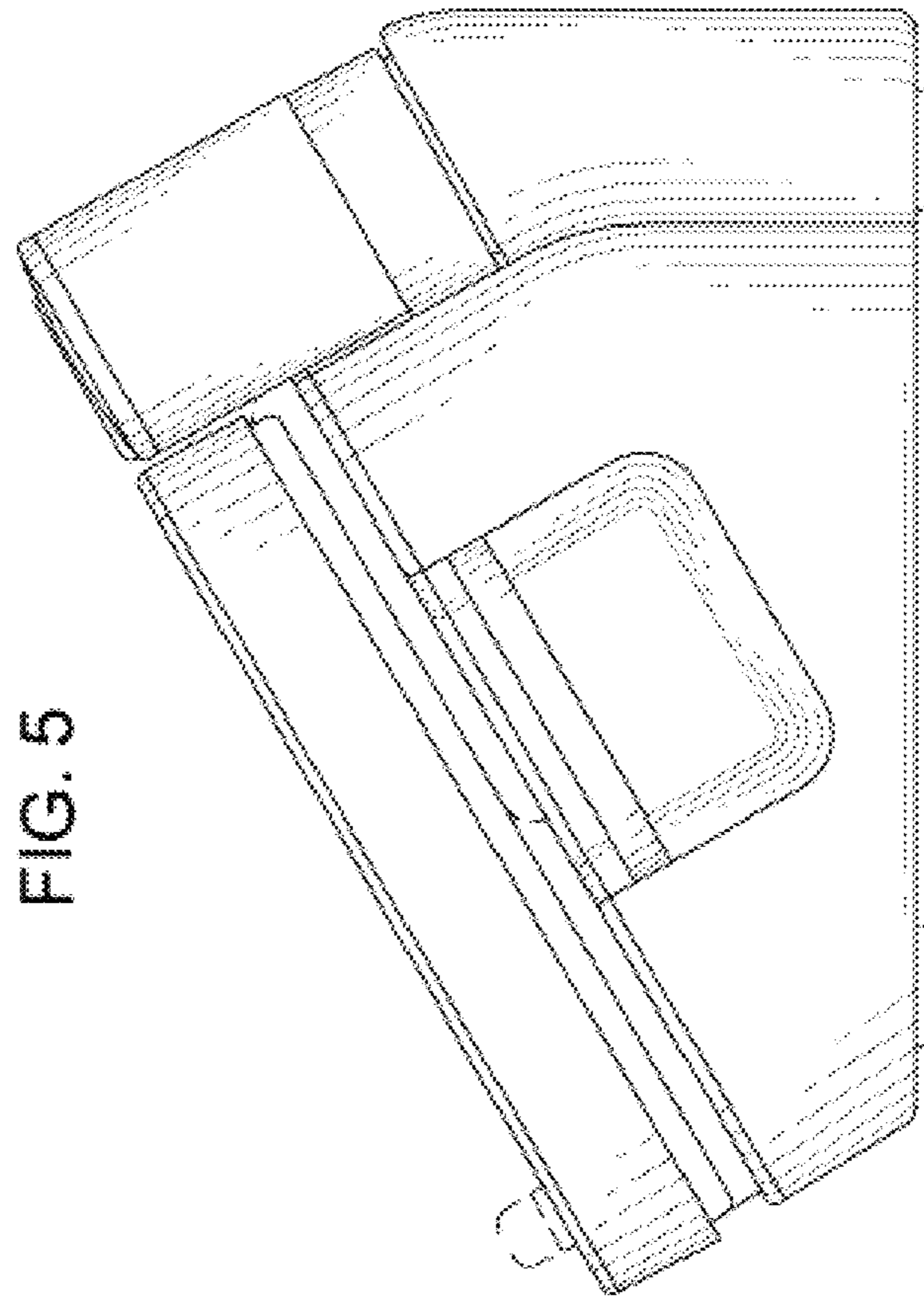


FIG. 5

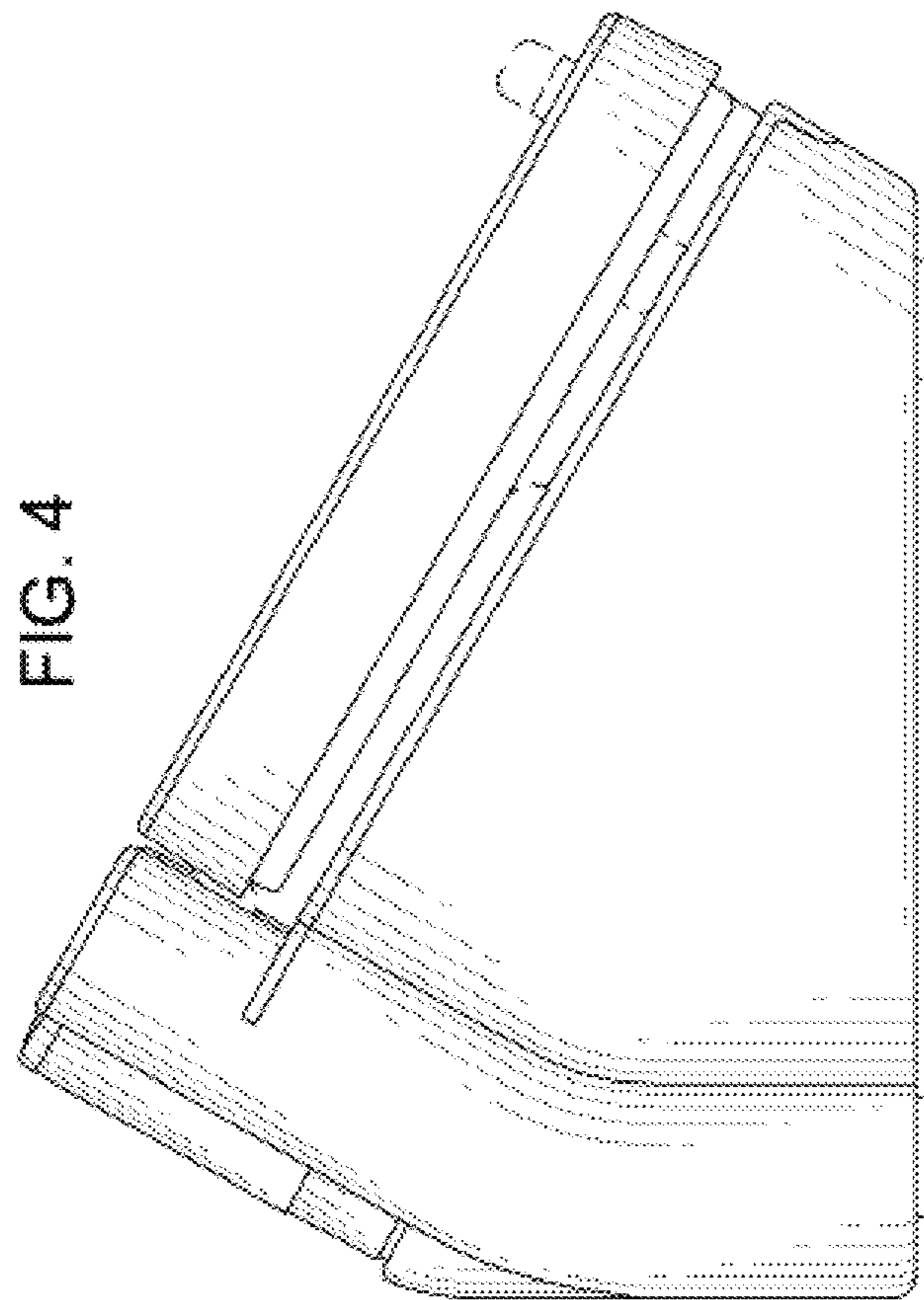


FIG. 4

FIG. 6

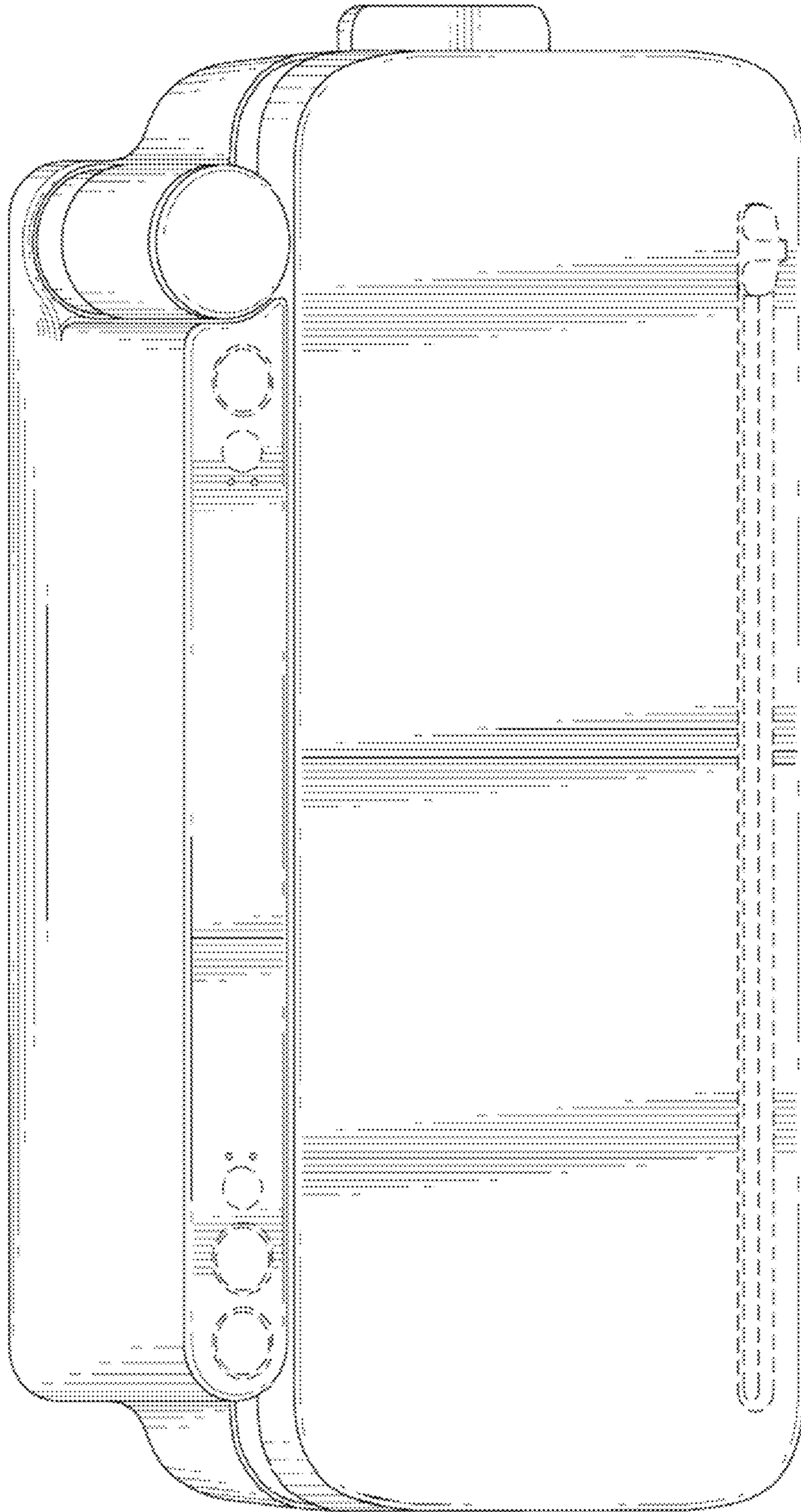


FIG. 7

