



US00D952715S

(12) **United States Design Patent** (10) **Patent No.:** **US D952,715 S**
Jia (45) **Date of Patent:** **** May 24, 2022**

(54) **PROPANE TORCH**

(71) Applicant: **Shanxi Luanluan Technology Co., Ltd.**, Shanxi (CN)

(72) Inventor: **Fang Jia**, Shanxi (CN)

(73) Assignee: **Shanxi Luanluan Technology Co., Ltd.**, Shanxi (CN)

(**) Term: **15 Years**

(21) Appl. No.: **29/757,759**

(22) Filed: **Nov. 9, 2020**

(51) **LOC (13) Cl.** **15-09**

(52) **U.S. Cl.**
USPC **D15/144; D8/29.1**

(58) **Field of Classification Search**
USPC D8/29.1, 29.2, 30, 61, 107; D15/144, D15/144.1, 144.2
CPC F23Q 3/002; F23D 14/38
See application file for complete search history.

(56) **References Cited**

U.S. PATENT DOCUMENTS

D60,346 S * 2/1922 Jenkins D8/30
3,512,912 A * 5/1970 Linch F23D 91/02
431/344
D251,796 S * 5/1979 Edin D15/144.1
4,348,172 A * 9/1982 Miller F23D 14/38
431/255
D279,543 S * 7/1985 Pashkov D8/30
D297,704 S * 9/1988 Bulow D8/30
D304,151 S * 10/1989 Chapin D8/30
D336,096 S * 6/1993 Farndahl D15/144.1
D343,629 S * 1/1994 Bode D8/30
D346,390 S * 4/1994 Sperling D8/30
D372,653 S * 8/1996 Baranowski, Jr. D8/30
D372,654 S * 8/1996 Baranowski, Jr. D8/30

D374,384 S * 10/1996 Baranowski, Jr. D8/30
D514,606 S * 2/2006 Picaza D15/144.2
D537,092 S * 2/2007 Owens D8/107
D703,250 S * 4/2014 McKinley D8/30
D703,251 S * 4/2014 Raboin D8/30
D711,946 S * 8/2014 Raboin D8/30
D735,002 S * 7/2015 Bondy D8/30
D806,152 S * 12/2017 Whited D8/30
D806,770 S * 1/2018 Murphy D8/30
D813,627 S * 3/2018 Tsai D8/30
D813,628 S * 3/2018 Tsai D8/30
D837,848 S * 1/2019 Murphy D8/30
D862,547 S * 10/2019 Xie D8/30
2004/0013991 A1 * 1/2004 Miceli F23D 14/825
431/344

(Continued)

Primary Examiner — Patricia A Palasik
(74) *Attorney, Agent, or Firm* — ScienBiziP, P.C.

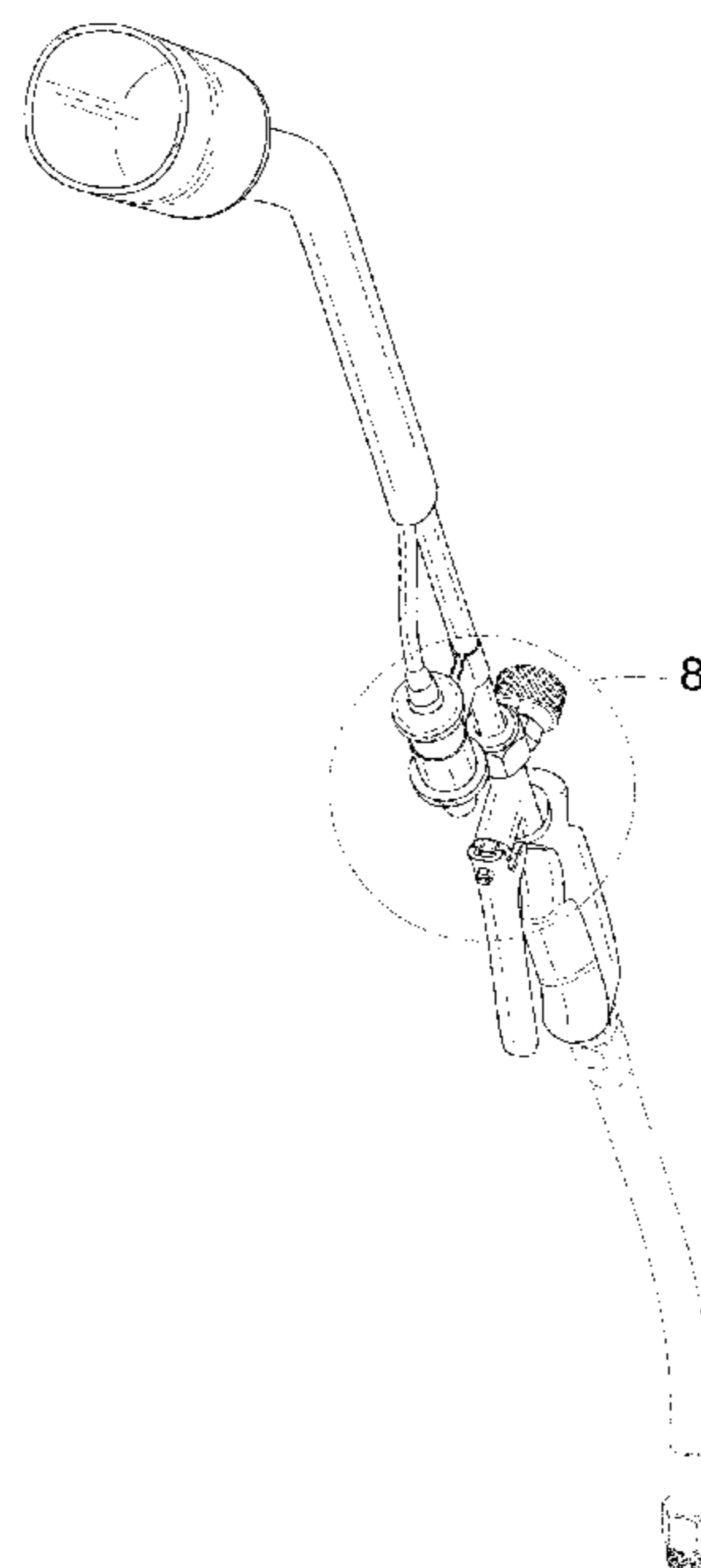
(57) **CLAIM**

The ornamental design for a propane torch, as shown and described.

DESCRIPTION

FIG. 1 is a front perspective view of a propane torch, showing my design.
FIG. 2 is a front elevation view thereof.
FIG. 3 is a rear elevation view thereof.
FIG. 4 is a left side elevation thereof.
FIG. 5 is a right side elevation thereof.
FIG. 6 is a top plan view thereof.
FIG. 7 is a bottom plan view thereof.
FIG. 8 is an enlarged view of an area labeled 8 in FIG. 1.
FIG. 9 is an enlarged view of an area labeled 9 in FIG. 2.
FIG. 10 is an enlarged view of an area labeled 10 in FIG. 2.
FIG. 11 is an enlarged view of an area labeled 11 in FIG. 3; and,
FIG. 12 is an enlarged view of an area labeled 12 in FIG. 7.

1 Claim, 12 Drawing Sheets



(56)

References Cited

U.S. PATENT DOCUMENTS

2020/0309365 A1* 10/2020 Buchowiecki F16M 13/022
2021/0237192 A1* 8/2021 Hwang B23K 9/287

* cited by examiner

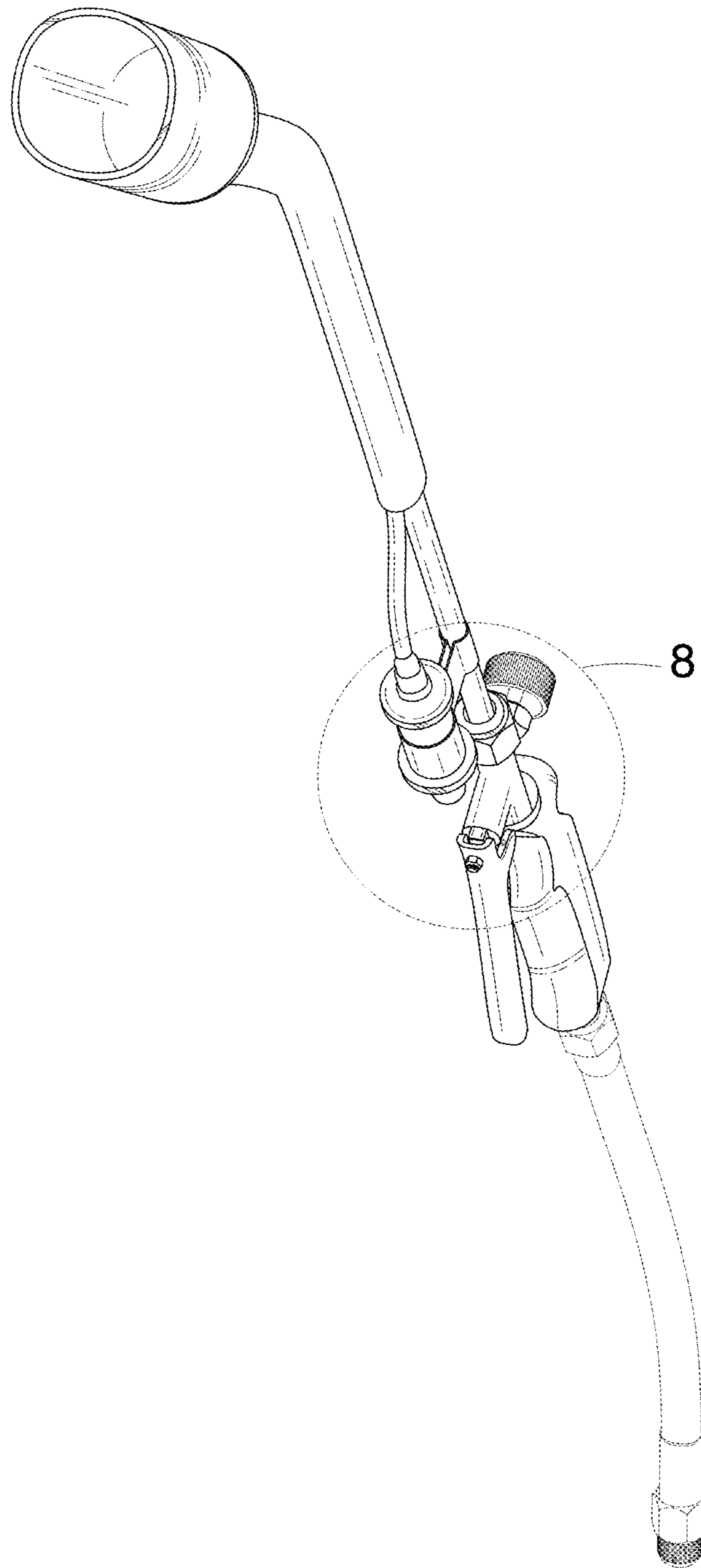


FIG.1

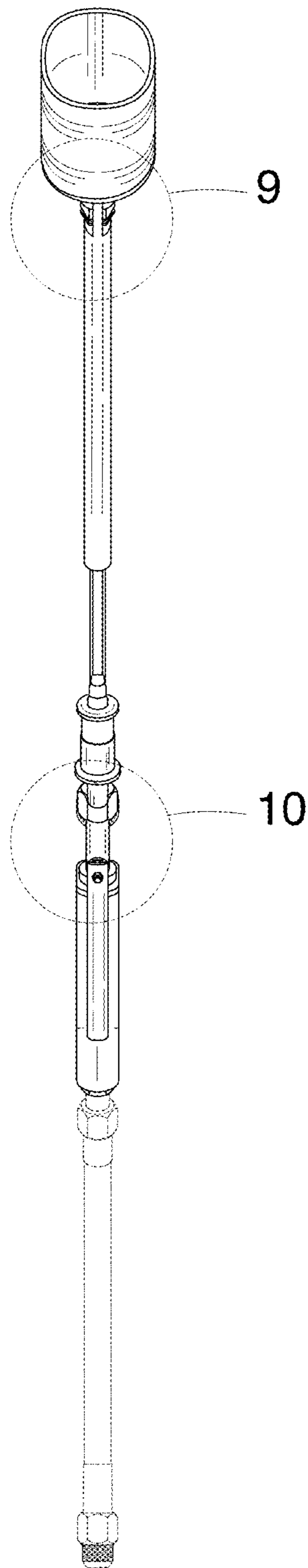


FIG.2

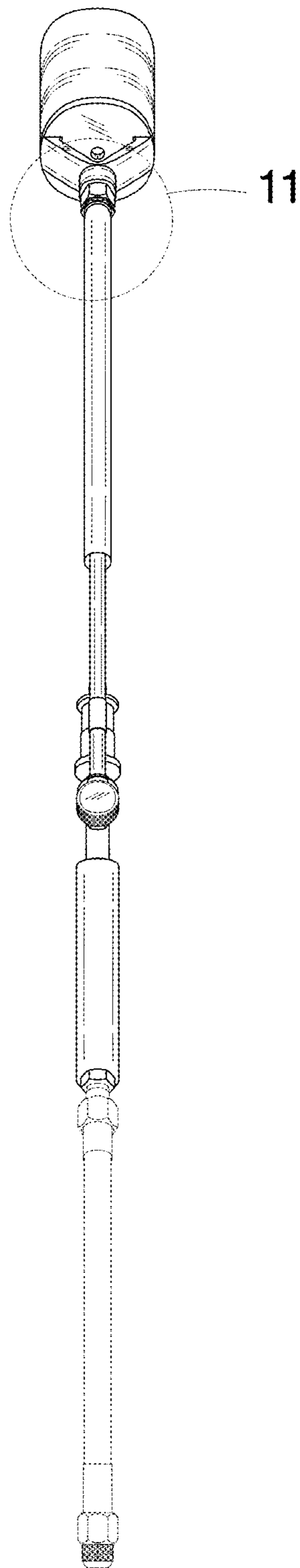


FIG.3

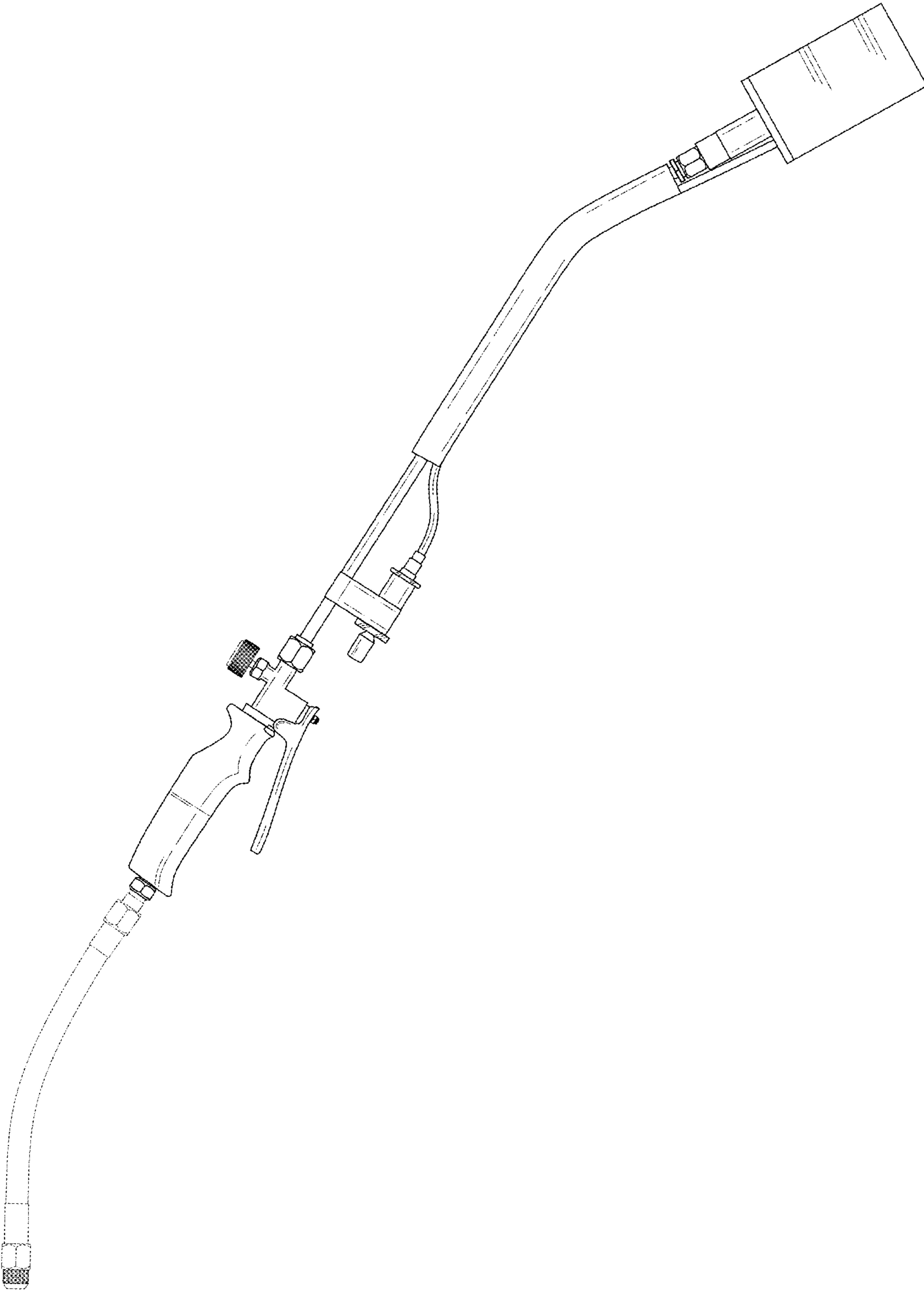


FIG.4

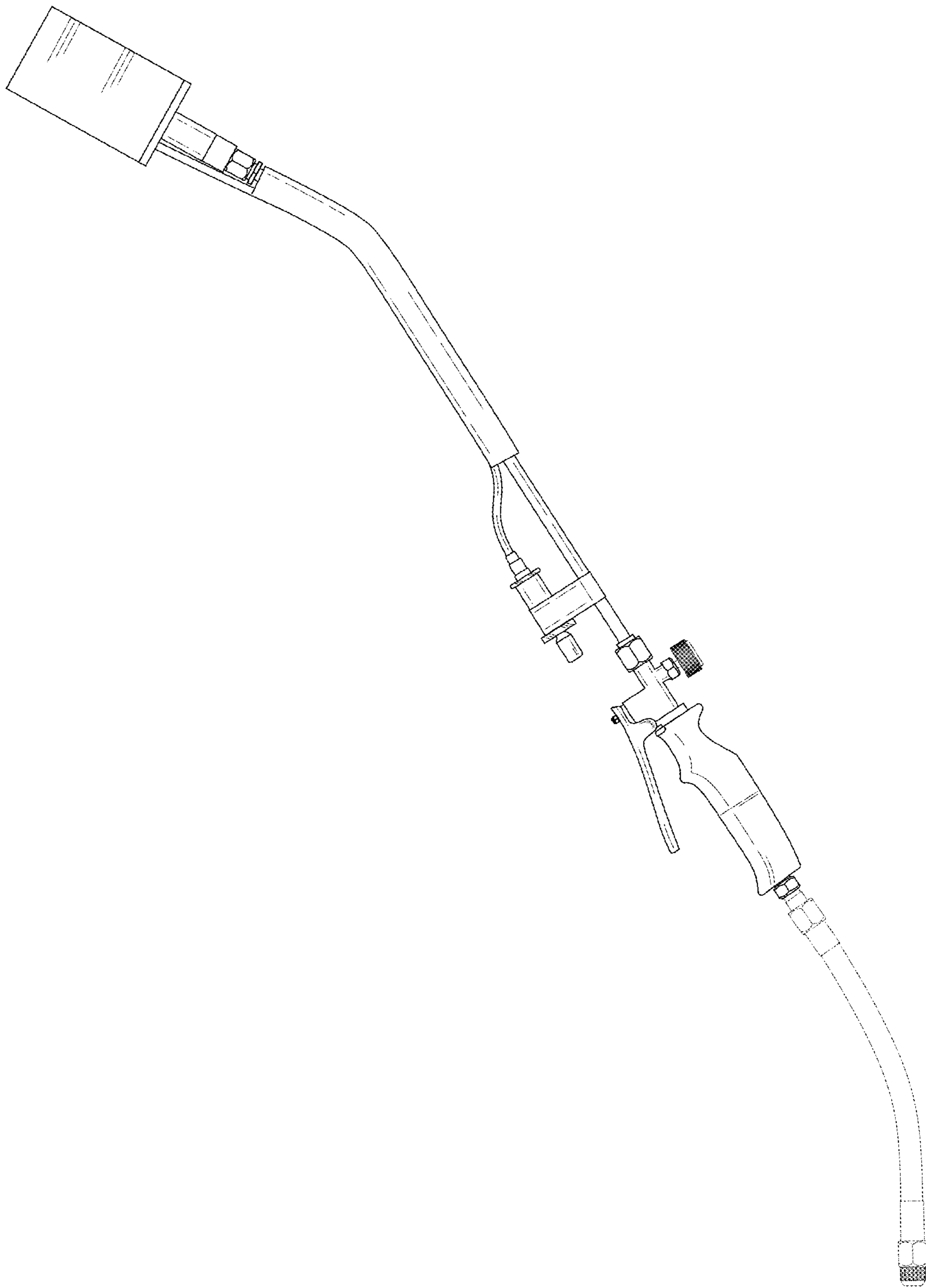


FIG.5

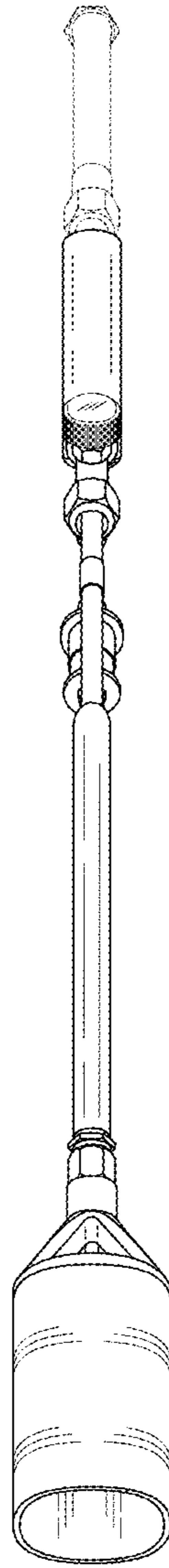


FIG.6

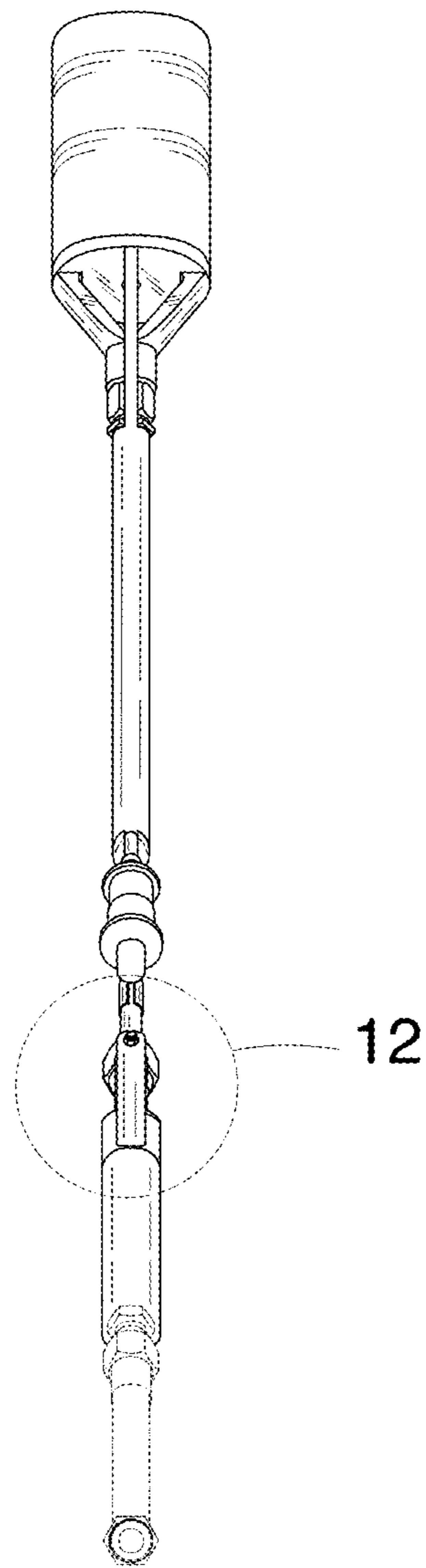


FIG.7

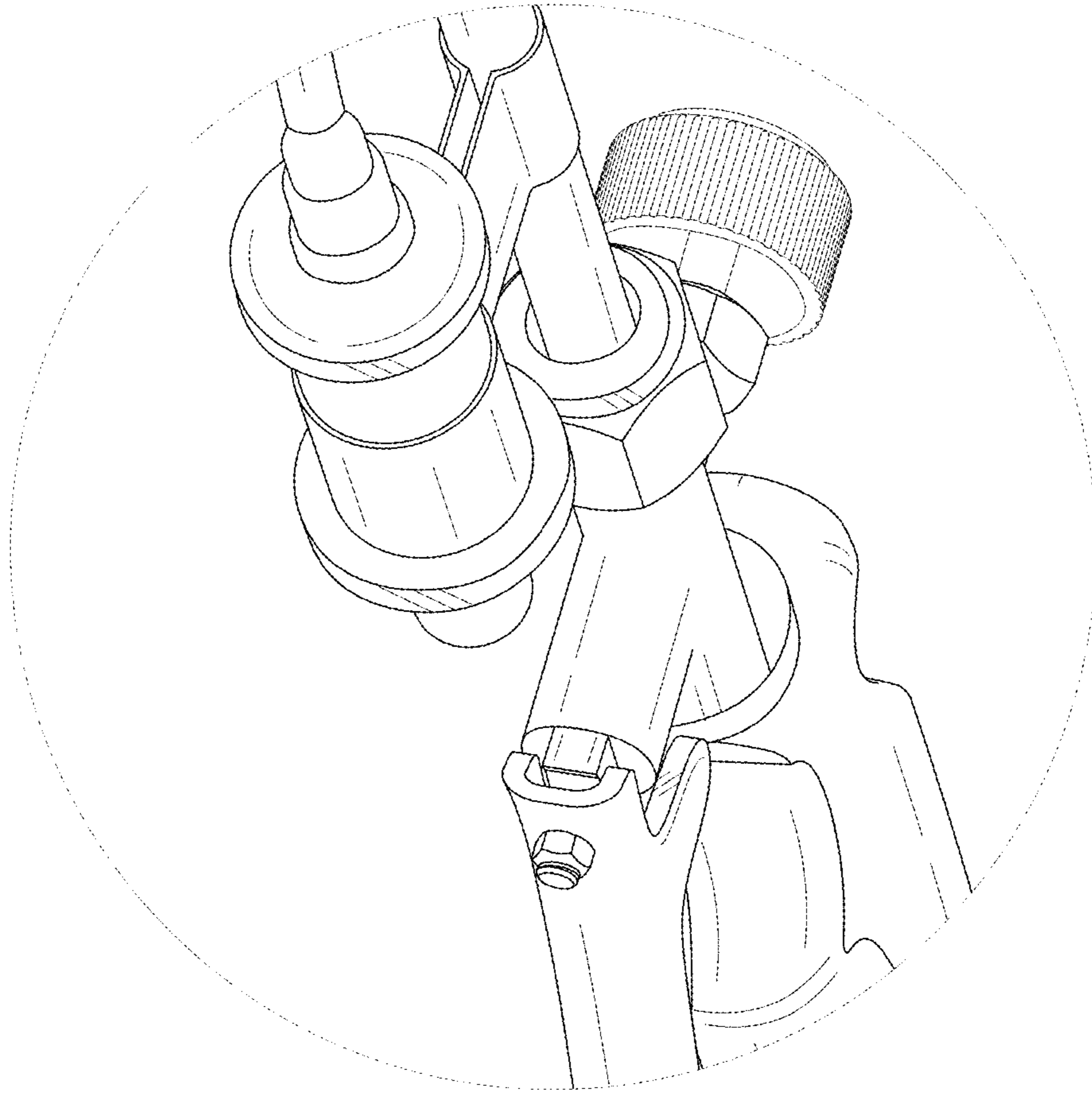


FIG.8

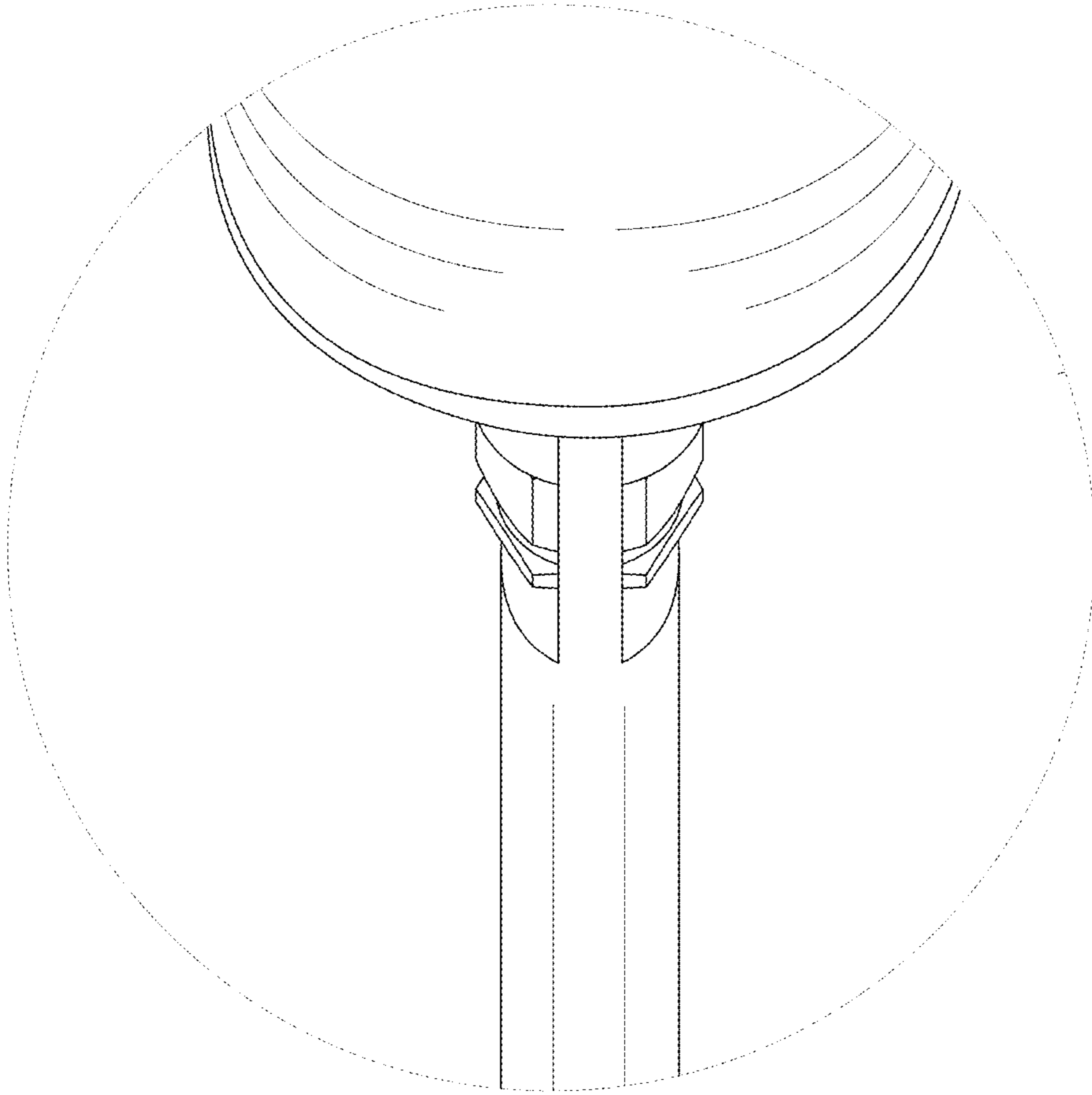


FIG.9

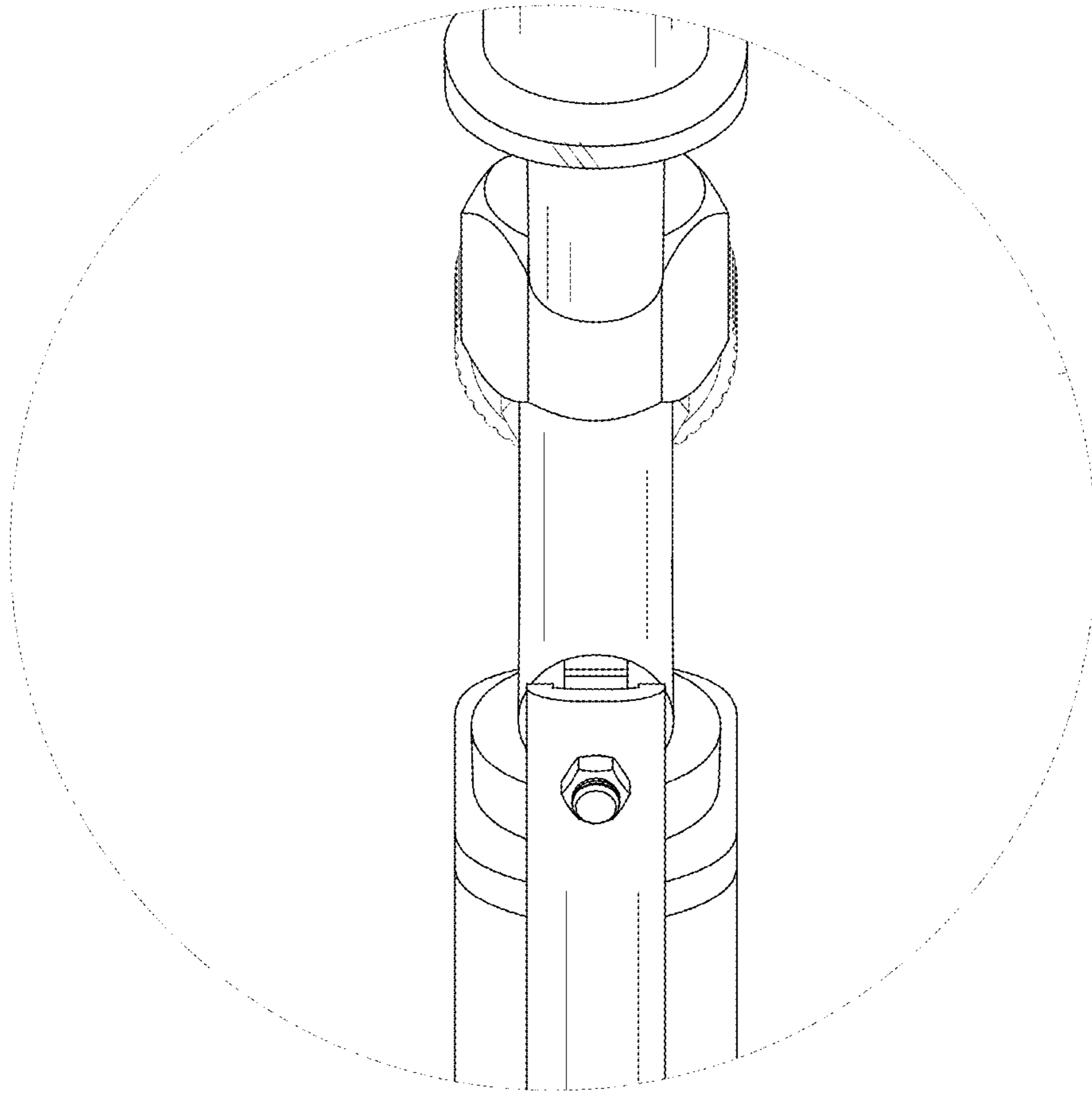


FIG.10

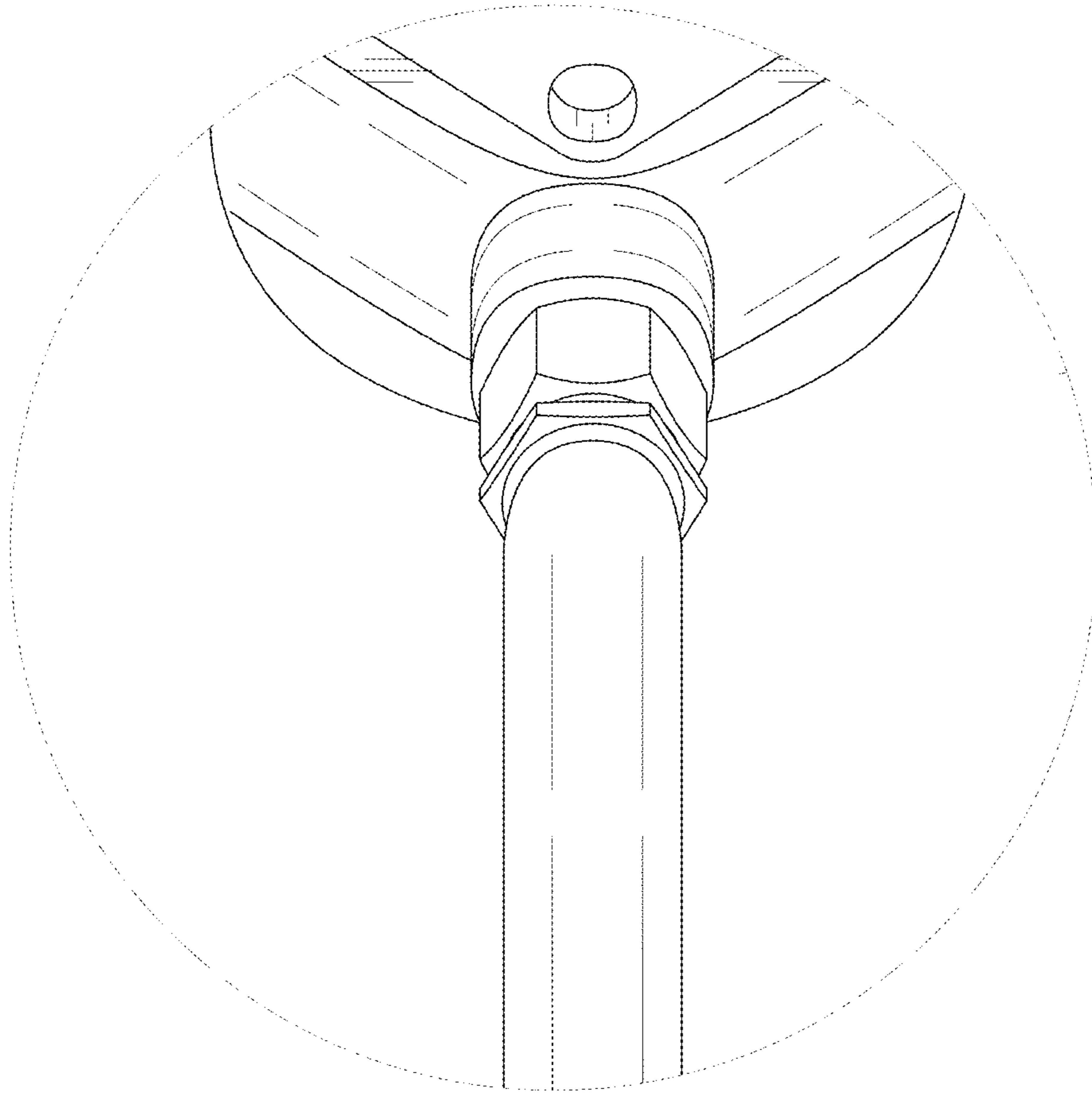


FIG.11

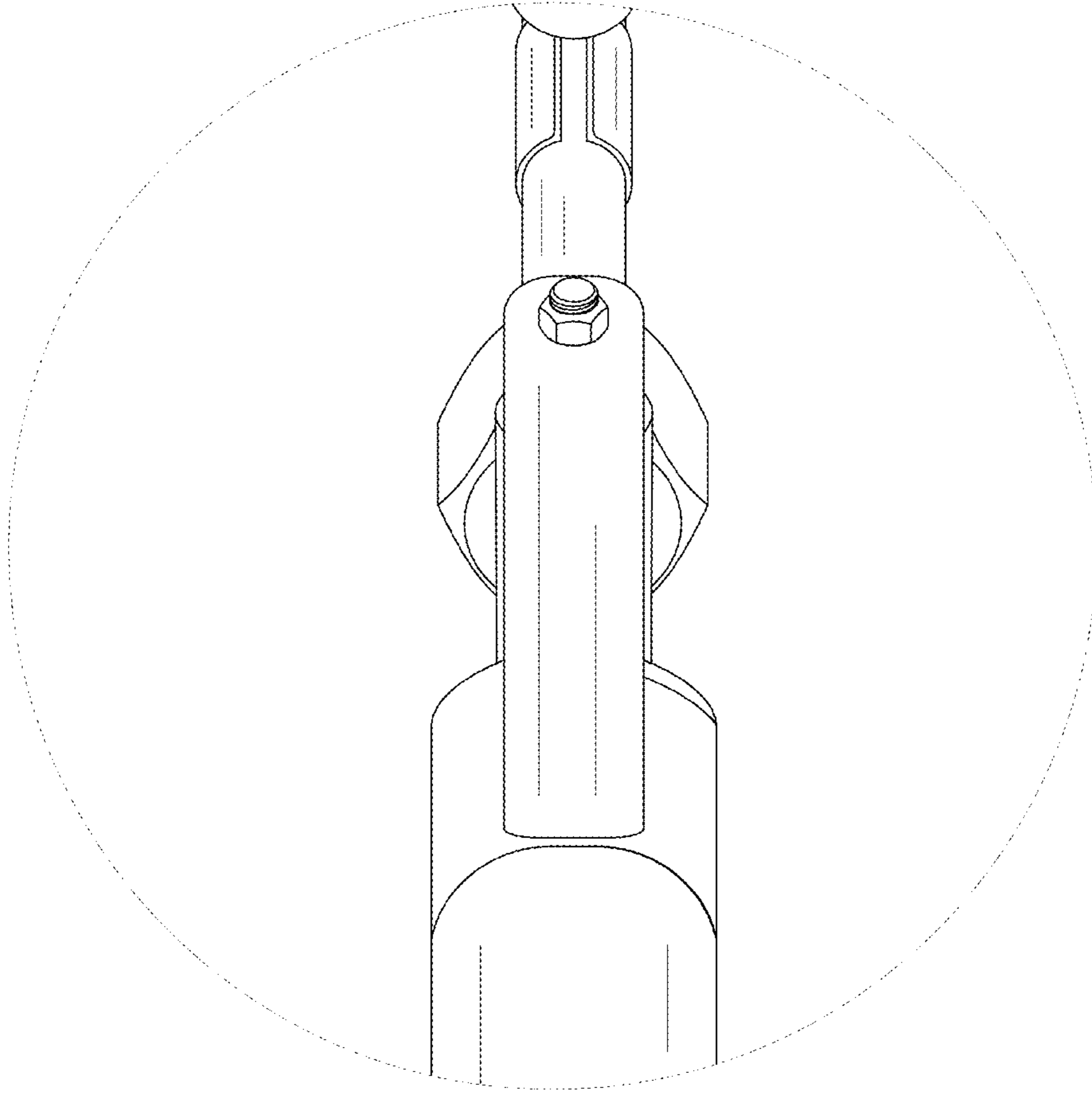


FIG.12