



US00D952712S

(12) **United States Design Patent** (10) **Patent No.:** **US D952,712 S**
Gipson et al. (45) **Date of Patent:** **** May 24, 2022**

(54) **SAW COVER**

(71) Applicant: **Illinois Tool Works Inc.**, Glenview, IL (US)

(72) Inventors: **Mark K. Gipson**, Bowie, TX (US);
Colleen E. Frederick, Arlington, TX (US)

(73) Assignee: **Illinois Tool Works Inc.**, Glenview, IL (US)

(**) Term: **15 Years**

(21) Appl. No.: **29/689,112**

(22) Filed: **Apr. 26, 2019**

(51) **LOC (13) Cl.** **15-09**

(52) **U.S. Cl.**
USPC **D15/133**

(58) **Field of Classification Search**
USPC D15/123, 124, 126, 127, 130, 131, 133,
D15/135, 138, 141; D18/53; D24/159,
D24/231, 234; D25/23
CPC B65B 53/06; B65B 65/003; B65B 59/00;
B65B 59/001; B65B 59/003; B65B 19/00;
B23Q 11/0078; B23Q 11/06; B23Q
11/0816; B23Q 11/0825; B23Q 11/0833;
B27B 31/00

See application file for complete search history.

(56) **References Cited**

U.S. PATENT DOCUMENTS

D231,351 S *	4/1974	Preston	D15/138
D320,607 S *	10/1991	Smith	D15/126
D336,479 S *	6/1993	Shinagawa	D15/135
D386,504 S *	11/1997	Dieck	D15/124
D399,221 S *	10/1998	Schwartz	D15/141
D445,807 S *	7/2001	Baulk	D15/127
D486,164 S *	2/2004	Muller	D15/123

D489,077 S *	4/2004	Bloch	D15/122
D625,744 S *	10/2010	Wang	D15/127
D640,714 S *	6/2011	Fukuta	D15/124
D748,697 S *	2/2016	Hynek	D15/130
D753,199 S *	4/2016	Hynek	D15/130
D907,077 S *	1/2021	Gjovik	D15/122
2020/0095820 A1 *	3/2020	Cho	E05F 15/72
2020/0339360 A1 *	10/2020	Findley	B41J 3/407
2021/0053246 A1 *	2/2021	Korell	B26D 7/225

OTHER PUBLICATIONS

Clear Machine Safety Ltd, MNR Sliding Lathe Guards, (site visited Dec. 3, 2021), Clear machine Safety Website, URL:<https://clearmachinesafety.co.uk/mnr-sliding-lathe-guards/> (Year: 2021).*
Alpine ALS 4.0™ linear saw brochure, by Alpine™ an ITW Company, published Feb. 2018 (2 pages).

(Continued)

Primary Examiner — Calvin E Vansant
Assistant Examiner — Mark T. Philipps
(74) *Attorney, Agent, or Firm* — Neal, Gerber & Eisenberg LLP

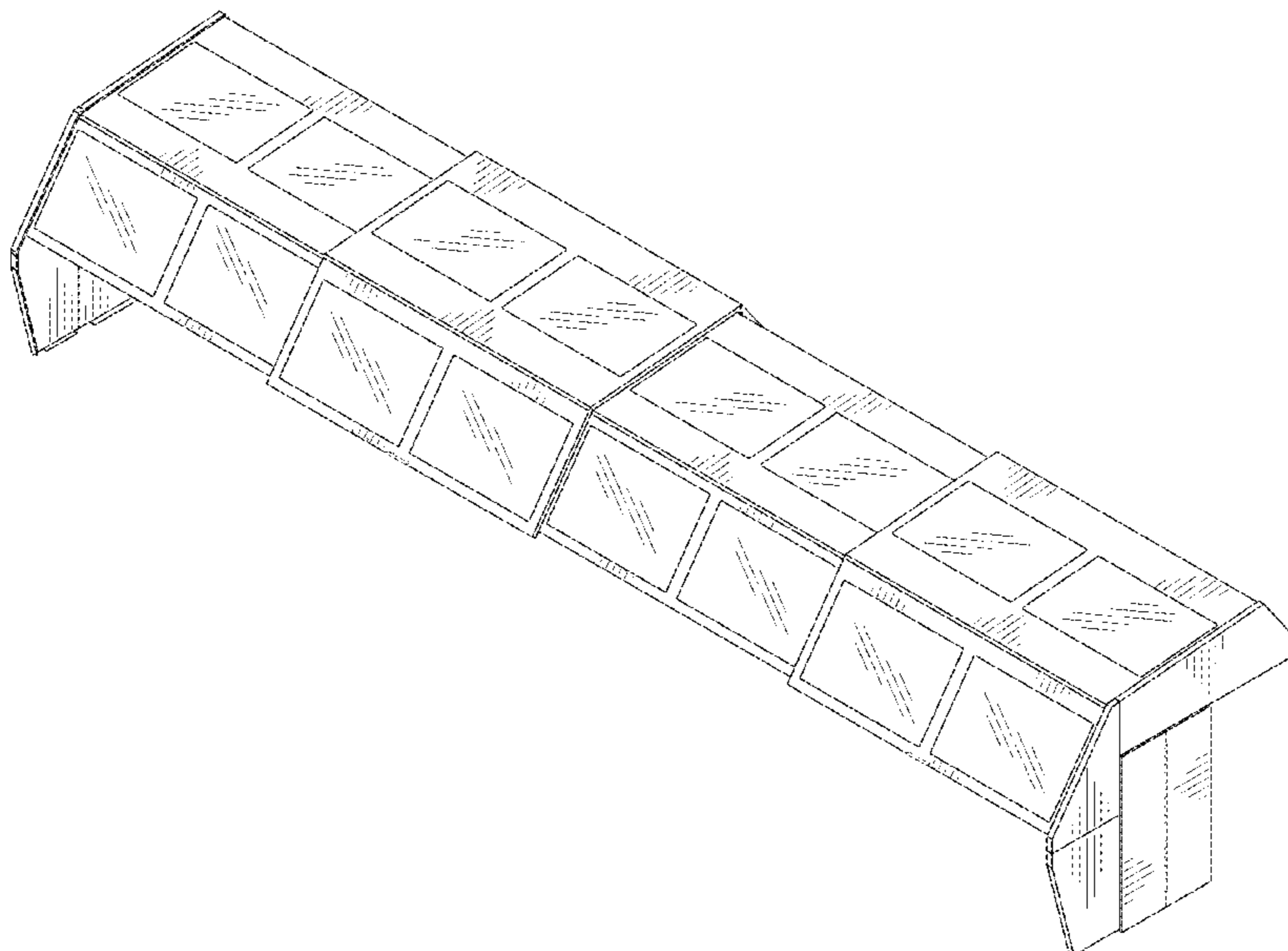
(57) **CLAIM**

The ornamental design for a saw cover, as shown and described.

DESCRIPTION

FIG. 1 is a top perspective view of a saw cover of our new design.
FIG. 2 is a front view of the saw cover of FIG. 1.
FIG. 3 is a back view of the saw cover of FIG. 1.
FIG. 4 is a right side view of the saw cover of FIG. 1.
FIG. 5 is a left side view of the saw cover of FIG. 1.
FIG. 6 is a top view of the saw cover of FIG. 1; and,
FIG. 7 is a bottom view of the saw cover of FIG. 1.
The broken lines depict portions of the saw cover that form no part of the claimed design.

1 Claim, 7 Drawing Sheets



(56)

References Cited

OTHER PUBLICATIONS

Picture of 1994 MiTek® Combi Cut 4 Blade Saw, available prior to Apr. 26, 2019 (1 page).

Picture of Mii® MiTek® MatchPoint™ BLADE™ Wood Processing System, available prior to Apr. 26, 2019 (1 page).

* cited by examiner

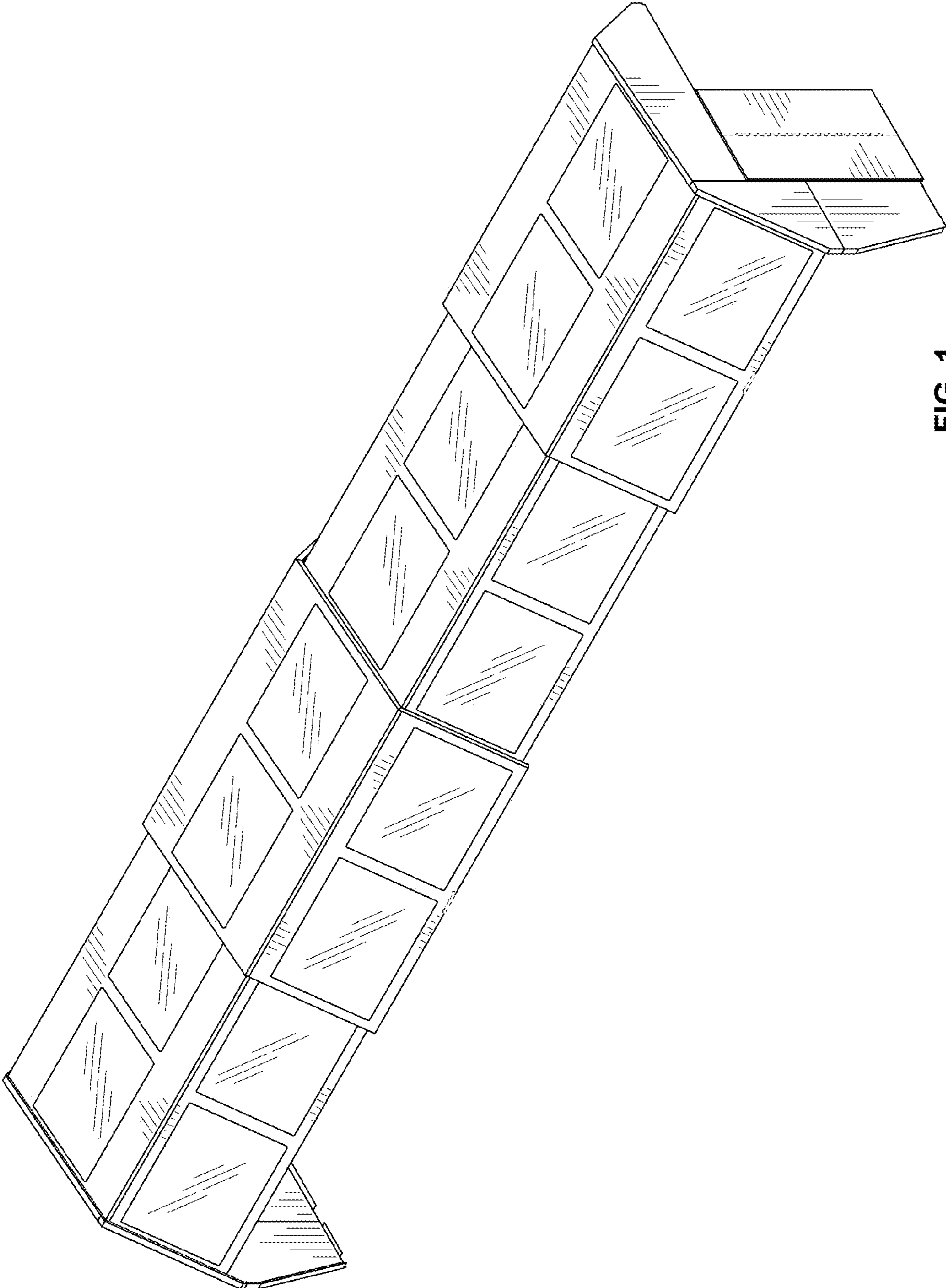


FIG. 1

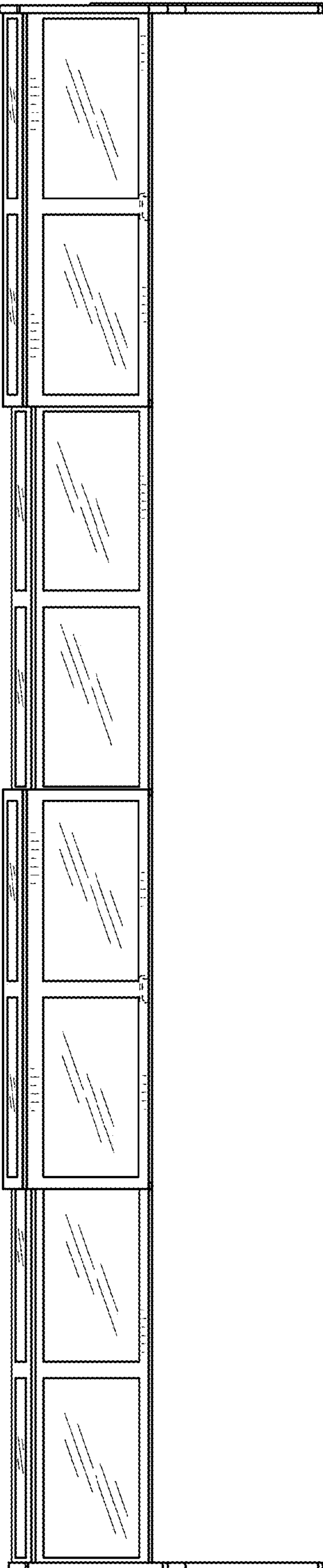


FIG. 2

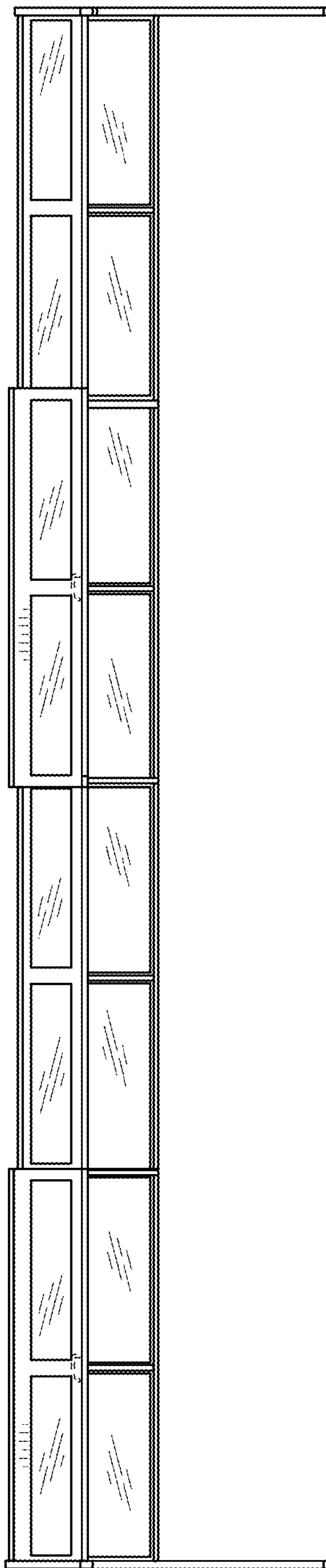


FIG. 3

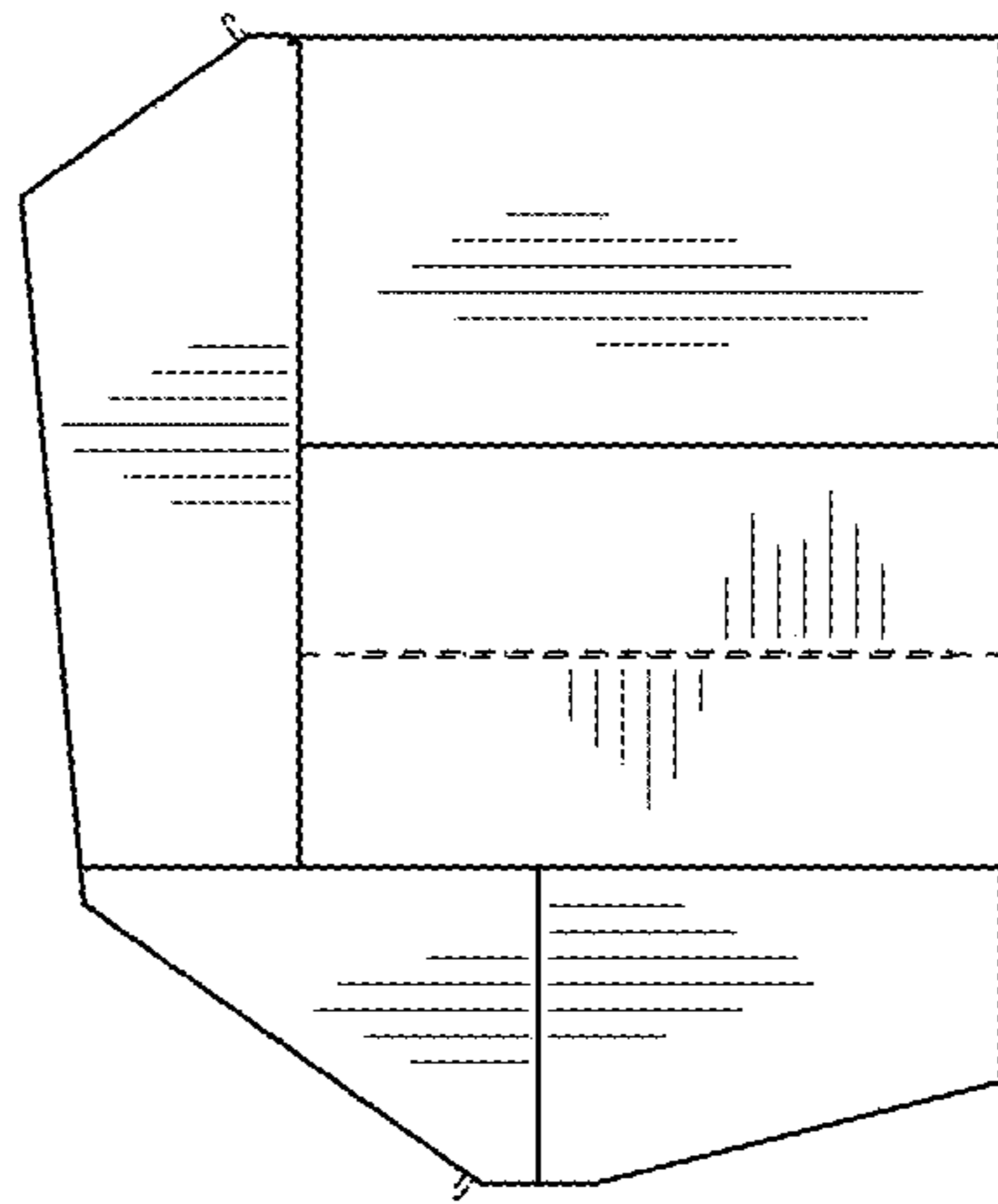


FIG. 4

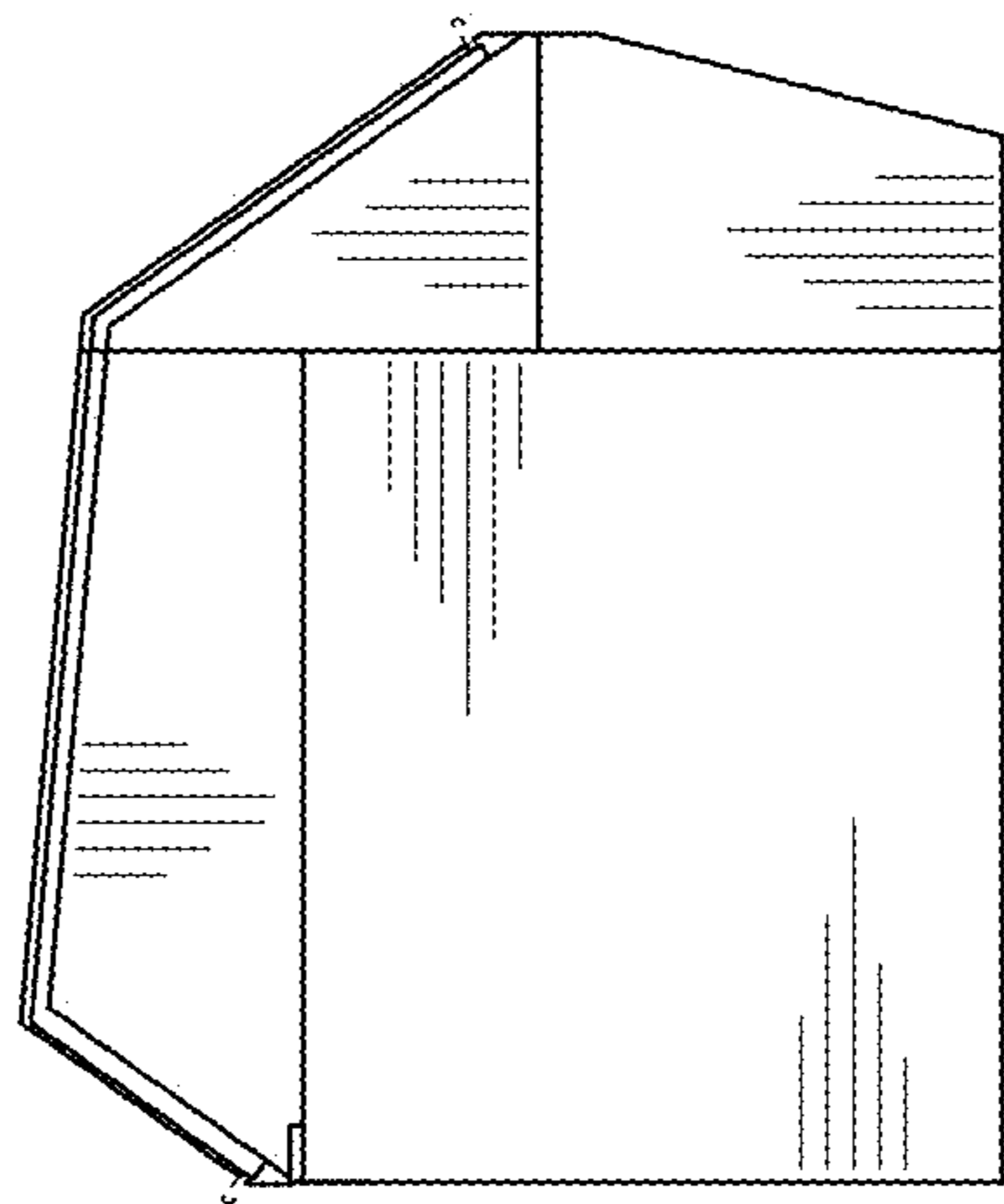


FIG. 5

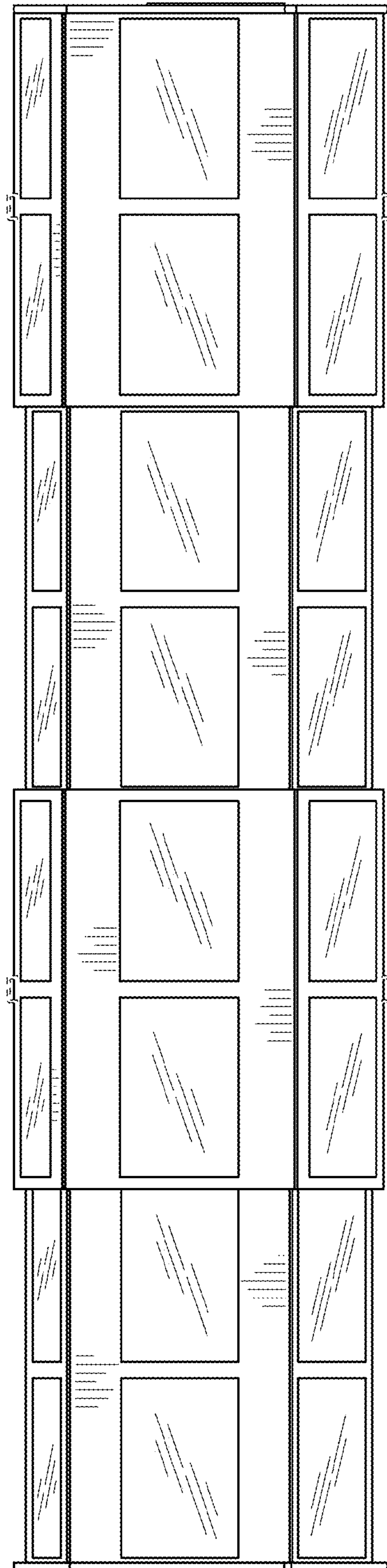


FIG. 6

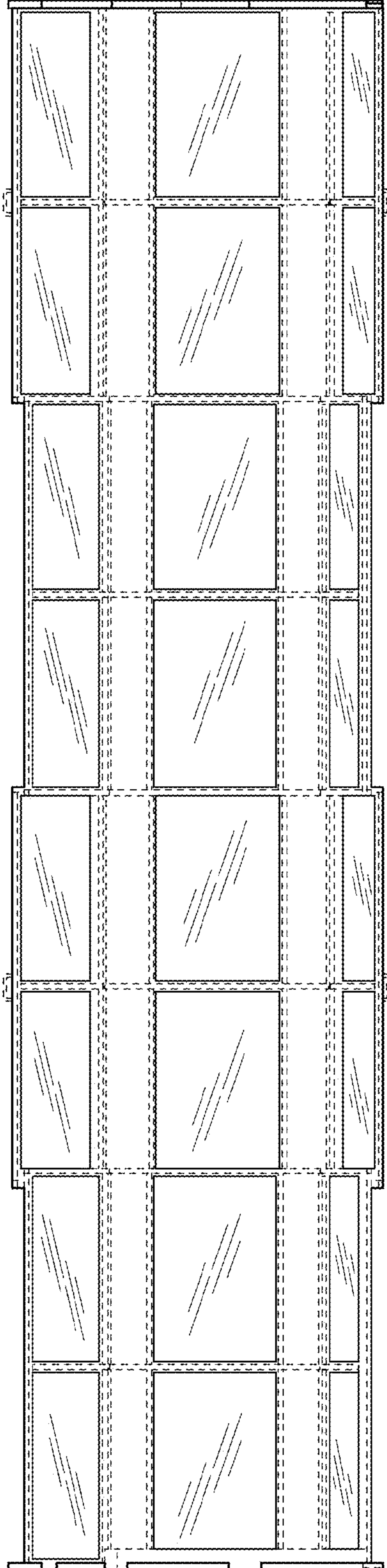


FIG. 7