



US00D952711S

(12) **United States Design Patent** (10) **Patent No.:** **US D952,711 S**  
**Sadovnikov** (45) **Date of Patent:** **\*\* May 24, 2022**

(54) **DRILLING TOOL** 4,996,797 A \* 3/1991 Laughton ..... B24B 3/36  
451/282

(71) Applicant: **KASKOD - MTRONIX OÜ**, Loksa (EE) D447,494 S \* 9/2001 Miller ..... D15/132  
D470,867 S \* 2/2003 Welsh ..... D15/132  
D470,868 S \* 2/2003 Welsh ..... D15/132  
D472,251 S \* 3/2003 Shimada ..... D15/132  
D577,750 S \* 9/2008 Kovach ..... D15/132  
7,936,142 B2 \* 5/2011 Otsuka ..... B23B 45/02  
318/599

(72) Inventor: **Gennady Sadovnikov**, Loksa (EE) D774,570 S \* 12/2016 Kovach ..... D15/132  
2010/0028095 A1 \* 2/2010 Yang ..... B23B 39/00  
408/99

(\*\*) Term: **15 Years** 2013/0287508 A1 \* 10/2013 Timmons ..... B23Q 17/2404  
408/16

(21) Appl. No.: **35/508,239** 2014/0227054 A1 \* 8/2014 Timmons ..... B23B 47/26  
408/76

(22) Filed: **Oct. 9, 2019** 2016/0059321 A1 \* 3/2016 Kovach ..... B25H 1/0071  
408/16

(80) **Hague Agreement Data**

Int. Filing Date: **Oct. 9, 2019**

Int. Reg. No.: **DM/204959**

Int. Reg. Date: **Oct. 9, 2019**

Int. Reg. Pub. Date: **Dec. 27, 2019**

\* cited by examiner

*Primary Examiner* — Richard E Chilcot

(51) **LOC (13) Cl.** ..... **15-09**

(52) **U.S. Cl.**  
USPC ..... **D15/132**  
CPC ..... **B23B 47/26** (2013.01)

(58) **Field of Classification Search**  
USPC ..... D8/69; D15/132; 408/9, 12, 16, 17, 75,  
408/76, 87, 90, 129, 132, 135, 214 S,  
408/234, 235, 236, 710, 712  
CPC .... B23B 47/26; B23B 39/006; B23B 2270/00  
See application file for complete search history.

(56) **References Cited**  
U.S. PATENT DOCUMENTS

2,622,457 A \* 12/1952 Buck ..... B25H 1/0071  
408/76

3,728,027 A \* 4/1973 Watanabe ..... B23Q 17/24  
356/13

3,907,452 A \* 9/1975 Tripp ..... B23B 47/281  
408/56

D267,011 S \* 11/1982 Morris ..... D15/132

4,636,137 A \* 1/1987 Lemelson ..... B25J 5/005  
348/114

D290,463 S \* 6/1987 Pelfrey ..... D15/132

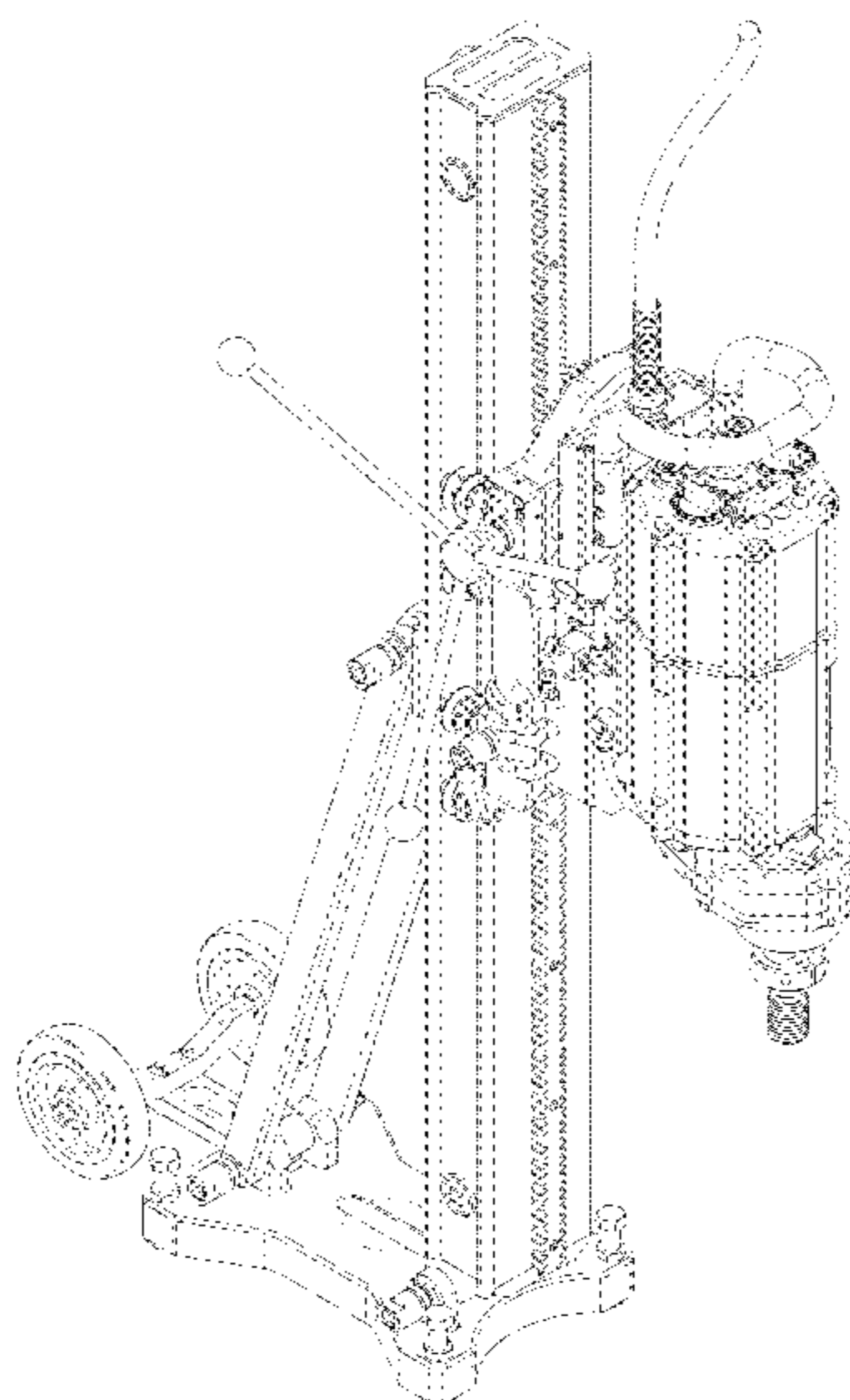
(57) **CLAIM**

The ornamental design for a drilling tool, as shown and described.

**DESCRIPTION**

1. Drilling tool  
**1.1** : Right  
**1.2** : Front  
**1.3** : Left  
**1.4** : Back  
**1.5** : Top  
**1.6** : Bottom  
**1.7** : Perspective  
 Surface mountable drilling machine.  
 The broken lines are included for the purpose of illustrating portions of the drilling tool that form no part of the claimed design.

**1 Claim, 7 Drawing Sheets**



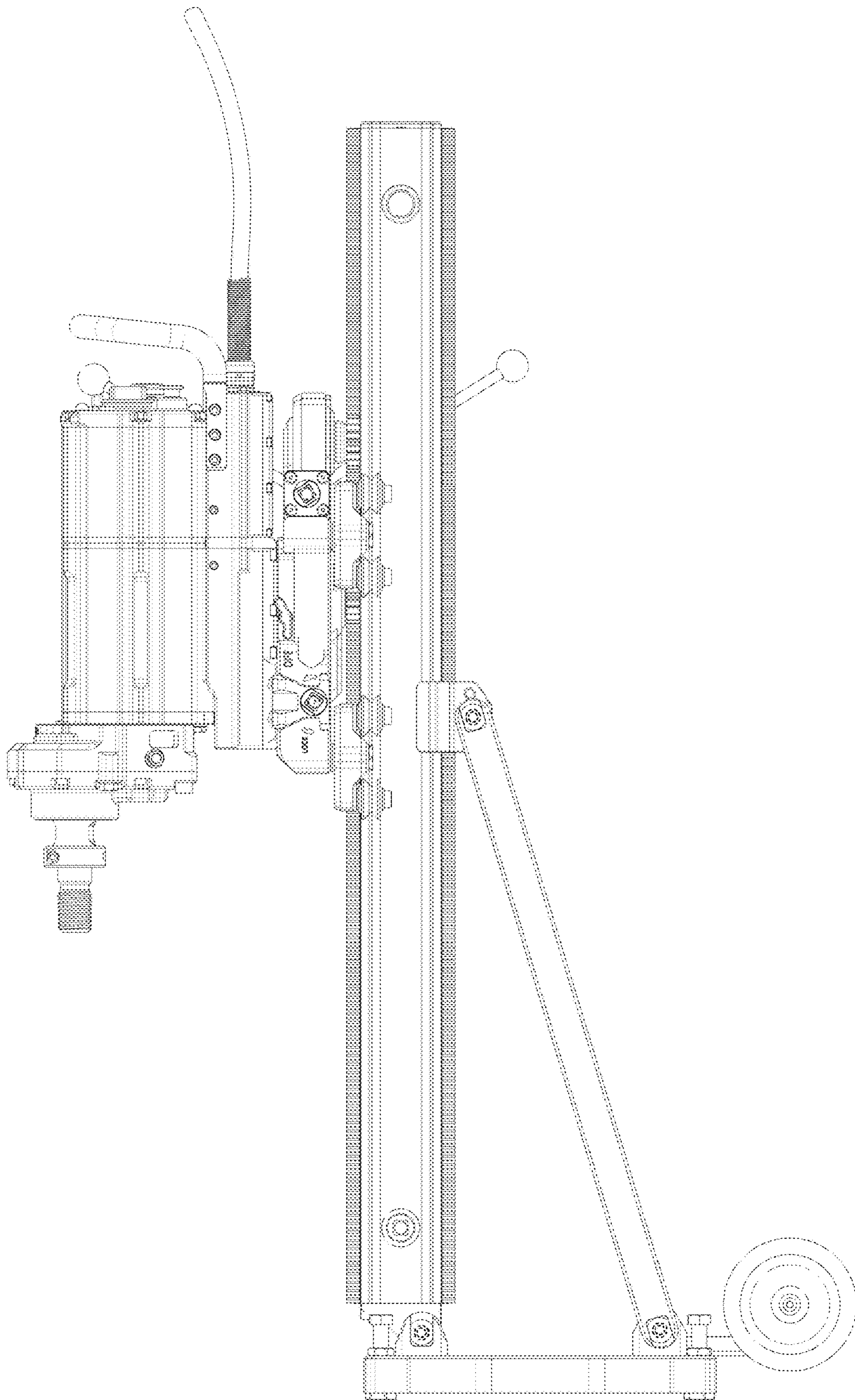


FIG 1.1

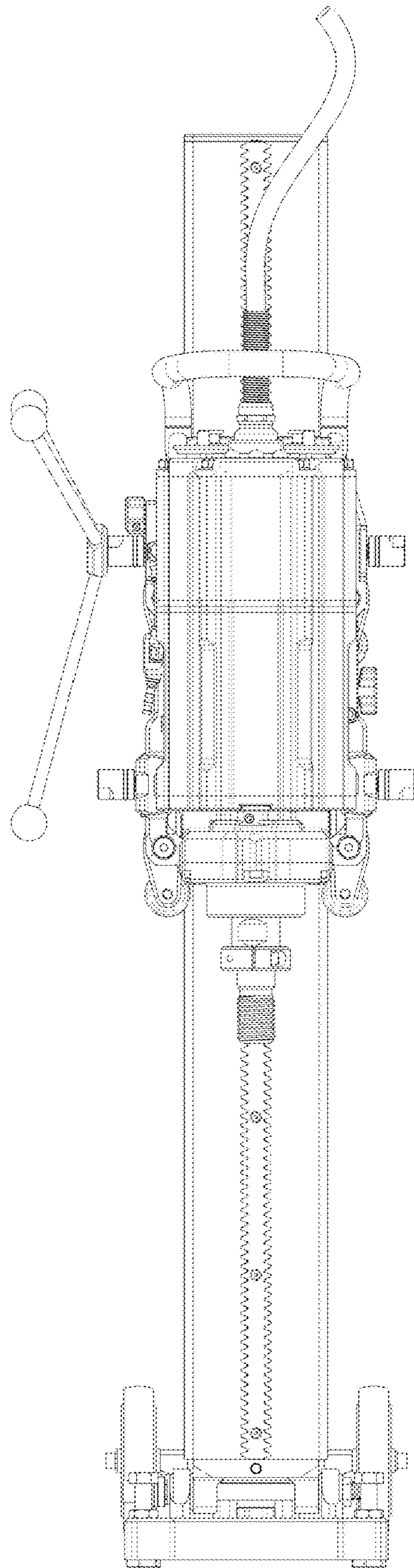


FIG 1.2

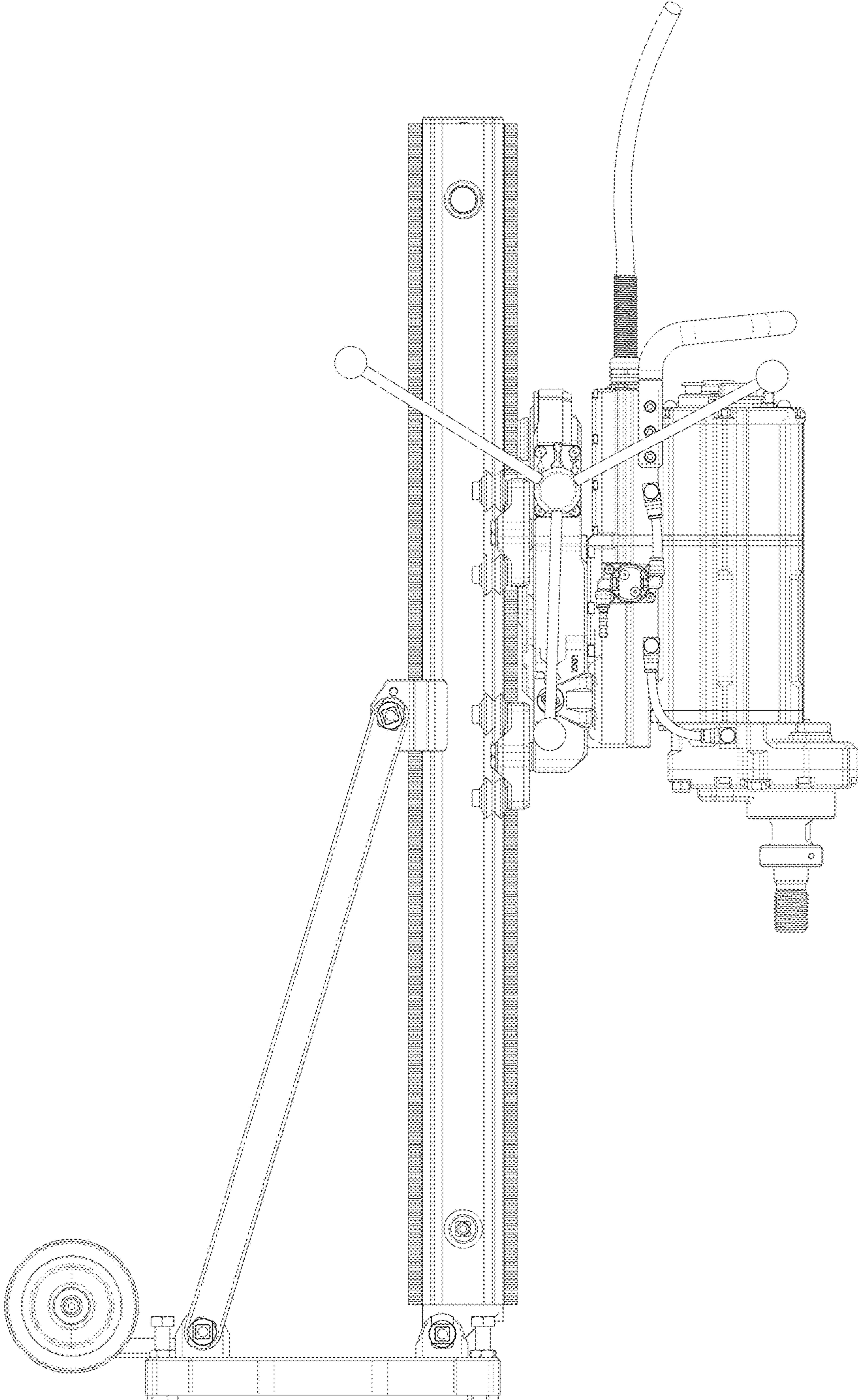


FIG 1.3

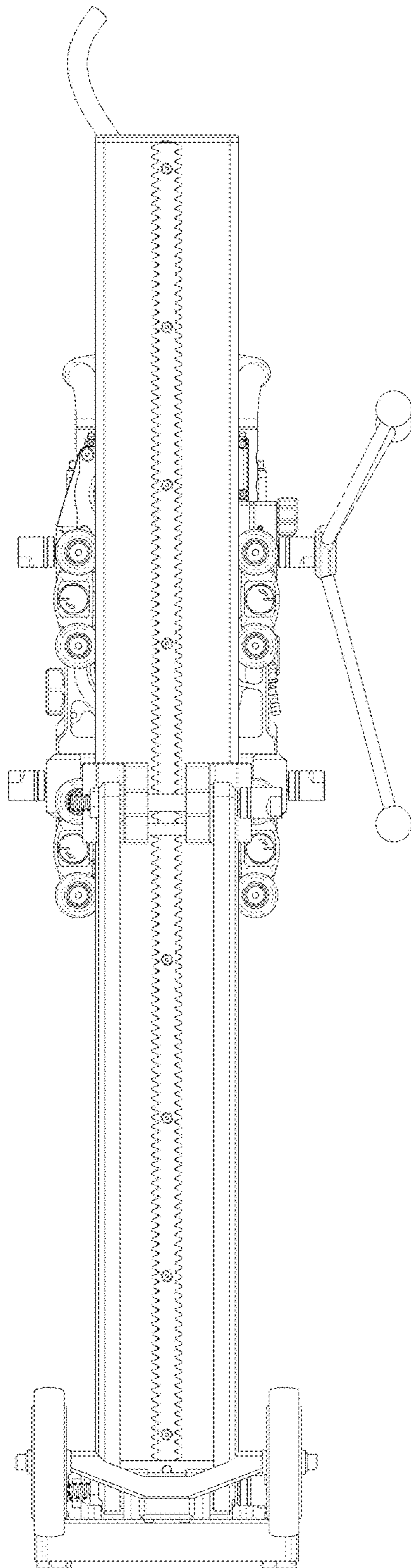


FIG 1.4

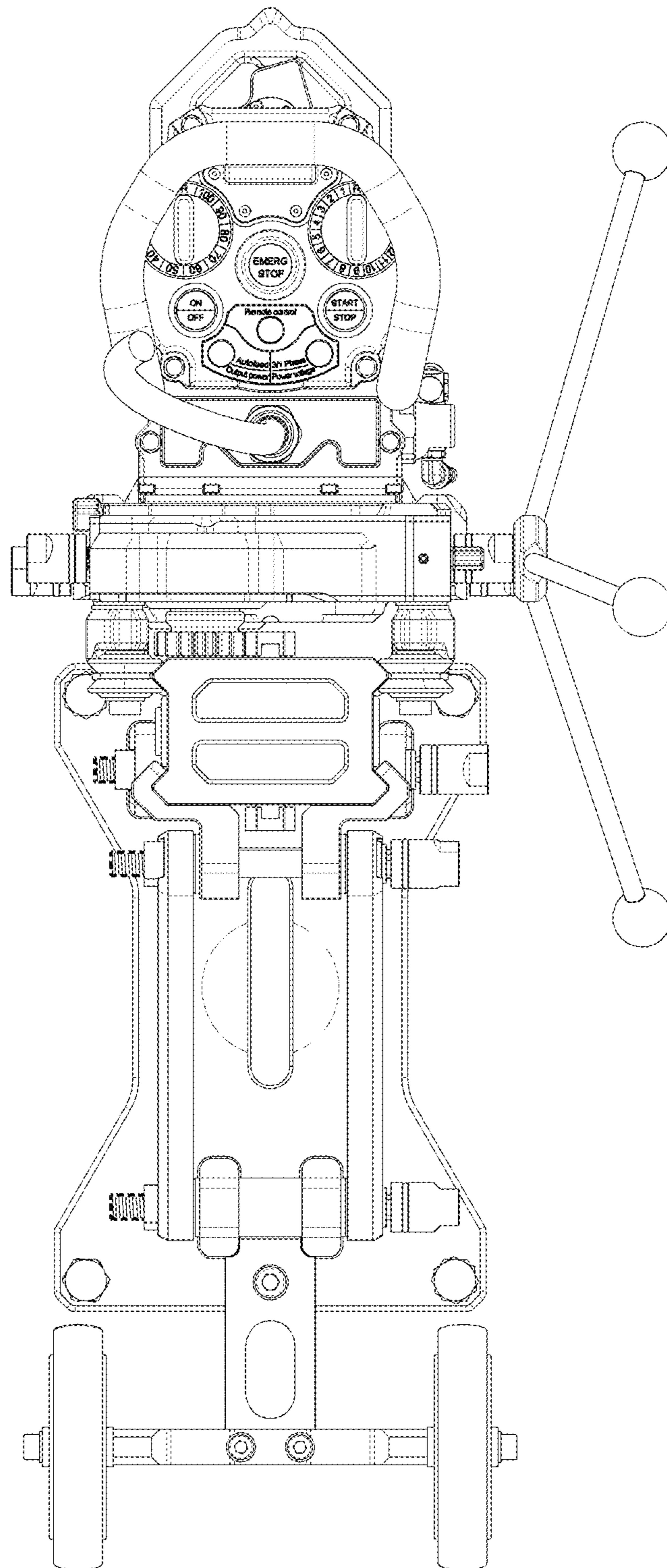


FIG 1.5

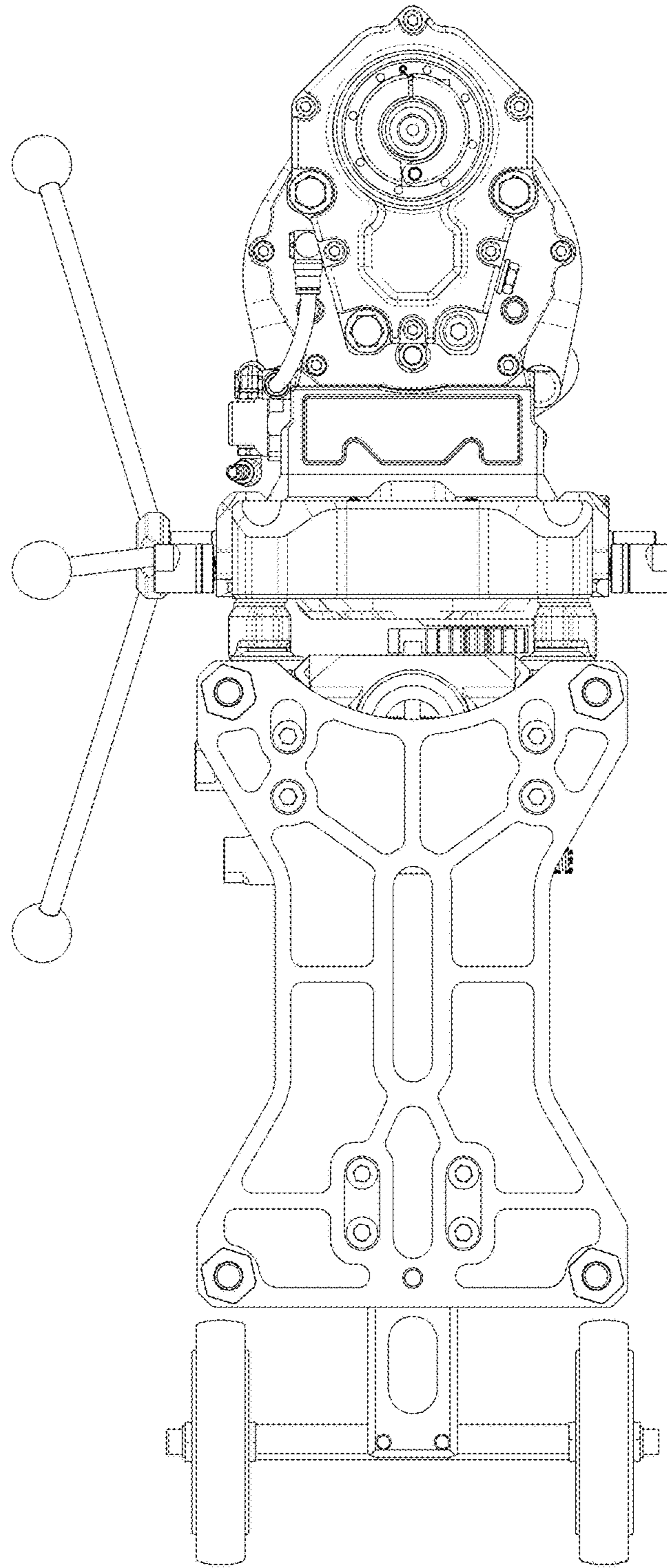


FIG 1.6

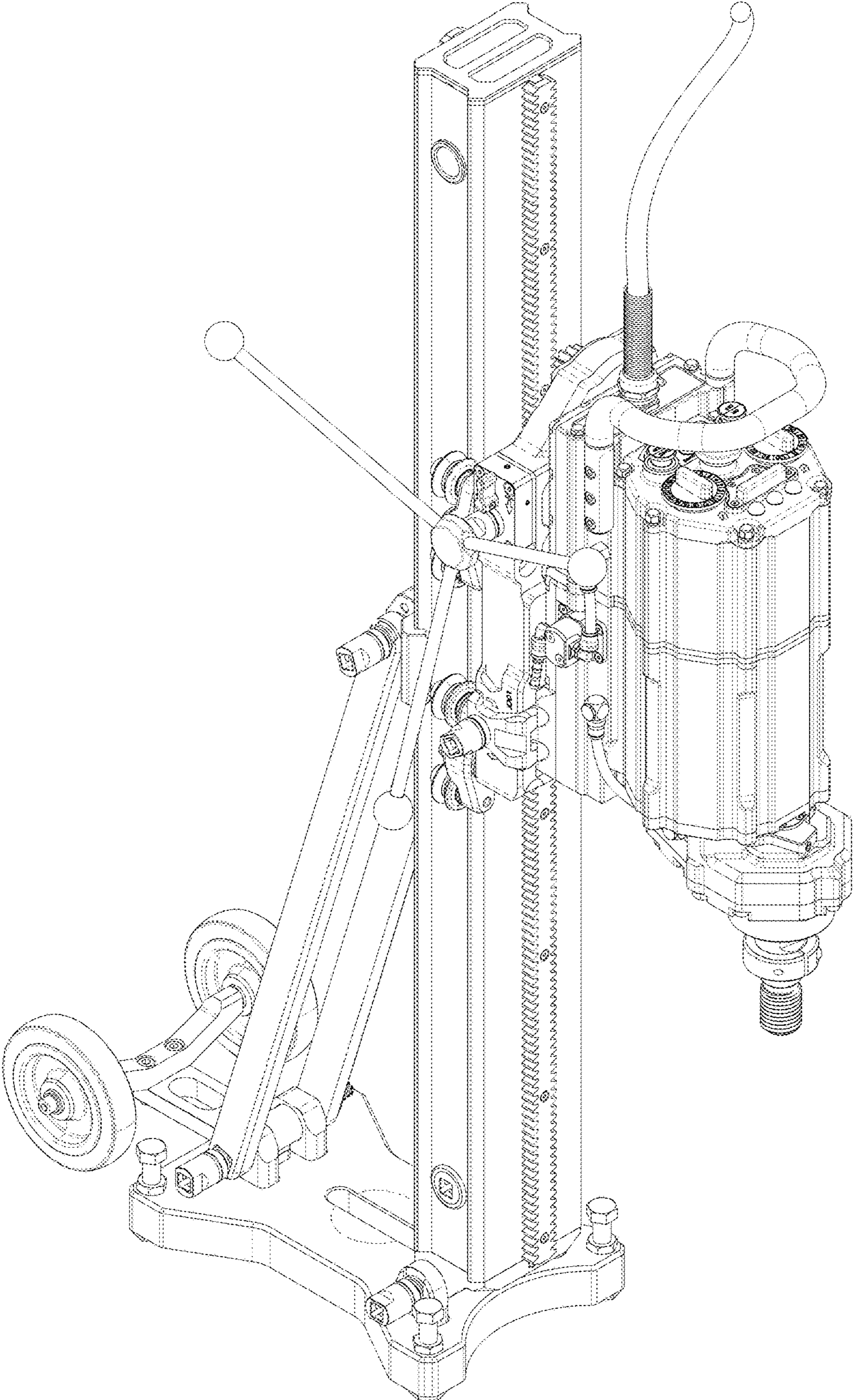


FIG 1.7