



US00D952708S

(12) **United States Design Patent** (10) **Patent No.:** **US D952,708 S**  
**Lee et al.** (45) **Date of Patent:** **\*\* \*May 24, 2022**

(54) **PANEL FOR REFRIGERATOR**

(71) Applicant: **Samsung Electronics Co., Ltd.**,  
Suwon-si (KR)

(72) Inventors: **Choongeun Lee**, Suwon-si (KR);  
**Seonju Lee**, Suwon-si (KR); **Jaemin Lee**, Suwon-si (KR); **Aeryun Kim**,  
Suwon-si (KR)

(73) Assignee: **Samsung Electronics Co., Ltd.**,  
Suwon-si (KR)

(\*) Notice: This patent is subject to a terminal disclaimer.

(\*\*) Term: **15 Years**

(21) Appl. No.: **29/719,379**

(22) Filed: **Jan. 3, 2020**

(30) **Foreign Application Priority Data**

Aug. 8, 2019 (KR) ..... 30-2019-0037991

(51) **LOC (13) Cl.** ..... **15-07**

(52) **U.S. Cl.**  
USPC ..... **D15/91**

(58) **Field of Classification Search**  
USPC ..... D15/79, 81, 82, 85, 86, 87, 88, 89, 91  
(Continued)

(56) **References Cited**

**U.S. PATENT DOCUMENTS**

D657,804 S \* 4/2012 Lee ..... D15/86  
D719,589 S \* 12/2014 Park ..... D15/89  
(Continued)

**OTHER PUBLICATIONS**

“Fhiaba Installation Series: Part 8—Preparing the Appliance for Panel Application” [online]. The Vetta Group Fhiaba Channel.

[Published on Apr. 24, 2014]. Retrieved from the Internet: <<https://www.youtube.com/watch?v=rCP36WSBAVc>>.\*

*Primary Examiner* — Mojtaba Tehrani  
(74) *Attorney, Agent, or Firm* — NSIP Law

(57) **CLAIM**

We claim the ornamental design for a panel for refrigerator, as shown and described.

**DESCRIPTION**

FIG. 1 is a front perspective view of a panel for refrigerator showing our new design according to a first embodiment; FIG. 2 is a front view thereof; FIG. 3 is a rear view thereof; FIG. 4 is a left-side view thereof; FIG. 5 is a right-side view thereof; FIG. 6 is a top view thereof; FIG. 7 is a bottom view thereof; FIG. 8 is a rear perspective view thereof; FIG. 9 is an enlarged view of the encircled portion in FIG. 1; FIG. 10 is an enlarged view of the encircled portion in FIG. 4; FIG. 11 is an enlarged view of the encircled portion in FIG. 6; FIG. 12 is an enlarged view of the encircled portion 12 in FIG. 8; FIG. 13 is an enlarged view of the encircled portion 13 in FIG. 8; FIG. 14 is an exploded front perspective view thereof, shown in an environment of use with an example refrigerator; FIG. 15 is a front perspective view of a panel for refrigerator showing our new design according to a second embodiment; FIG. 16 is a front view thereof; FIG. 17 is a rear view thereof; FIG. 18 is a left-side view thereof; FIG. 19 is a right-side view thereof; FIG. 20 is a top view thereof; FIG. 21 is a bottom view thereof; FIG. 22 is a rear perspective view thereof;

(Continued)

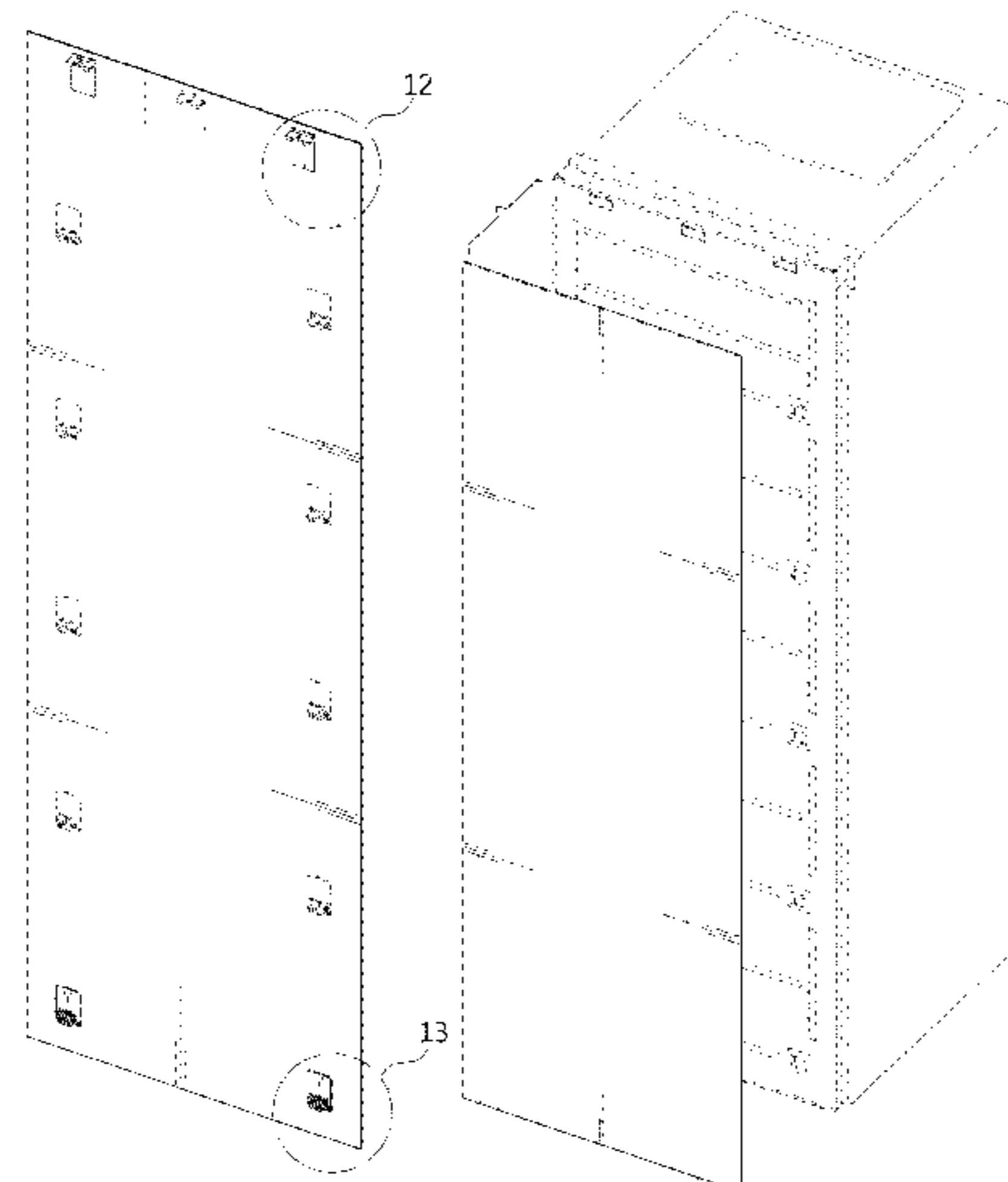


FIG. 23 is an enlarged view of the encircled portion in FIG. 15;  
 FIG. 24 is an enlarged view of the encircled portion in FIG. 18;  
 FIG. 25 is an enlarged view of the encircled portion in FIG. 20;  
 FIG. 26 is an enlarged view of the encircled portion 26 in FIG. 22;  
 FIG. 27 is an enlarged view of the encircled portion 27 in FIG. 22; and,  
 FIG. 28 is an exploded front perspective view thereof, shown in an environment of use with an example refrigerator.  
 The dash-dash broken lines in the figures showing portions of the panel for refrigerator form no part of the claimed design.  
 The dash-dash broken lines in FIGS. 14 and 28 illustrating a refrigerator are environment and form no part of the claimed design.  
 The dot-dot-dash broken lines encircling portions of the claimed design that are illustrated in enlargements form no part of the claimed design.

**1 Claim, 28 Drawing Sheets**

(58) **Field of Classification Search**  
 CPC ..... F25C 2400/10; F25D 2400/10; F25D 2400/12; F25D 2400/14; F25D 2400/18;

G05B 2219/2654; G09F 23/0058; Y10S 292/71

See application file for complete search history.

(56)

**References Cited**

U.S. PATENT DOCUMENTS

D771,160	S *	11/2016	Park	.....	D15/91
D771,161	S *	11/2016	Park	.....	D15/91
D869,518	S *	12/2019	Lee	.....	D15/85
D921,711	S *	6/2021	Lee	.....	D15/85
D921,712	S *	6/2021	Lee	.....	D15/86
D921,713	S *	6/2021	Lee	.....	D15/86
D921,714	S *	6/2021	Yoon	.....	D15/86
11,047,613	B1 *	6/2021	Park	.....	A47B 96/201
D933,110	S *	10/2021	Lee	.....	D15/86
2010/0154462	A1 *	6/2010	Arzoz Barandalla	.....	F25D 23/028 62/449
2010/0156260	A1 *	6/2010	Arzoz Barandalla	.....	F25D 23/028 312/405
2010/0170290	A1 *	7/2010	Arzoz Barandalla	.....	F25D 23/028 62/449
2011/0025173	A1 *	2/2011	Ciyanoglu	.....	A47B 77/08 312/204
2012/0169196	A1 *	7/2012	Marchetti	.....	E06B 3/721 312/265.6
2020/0326119	A1 *	10/2020	Lee	.....	F25D 23/02

\* cited by examiner

FIG. 1

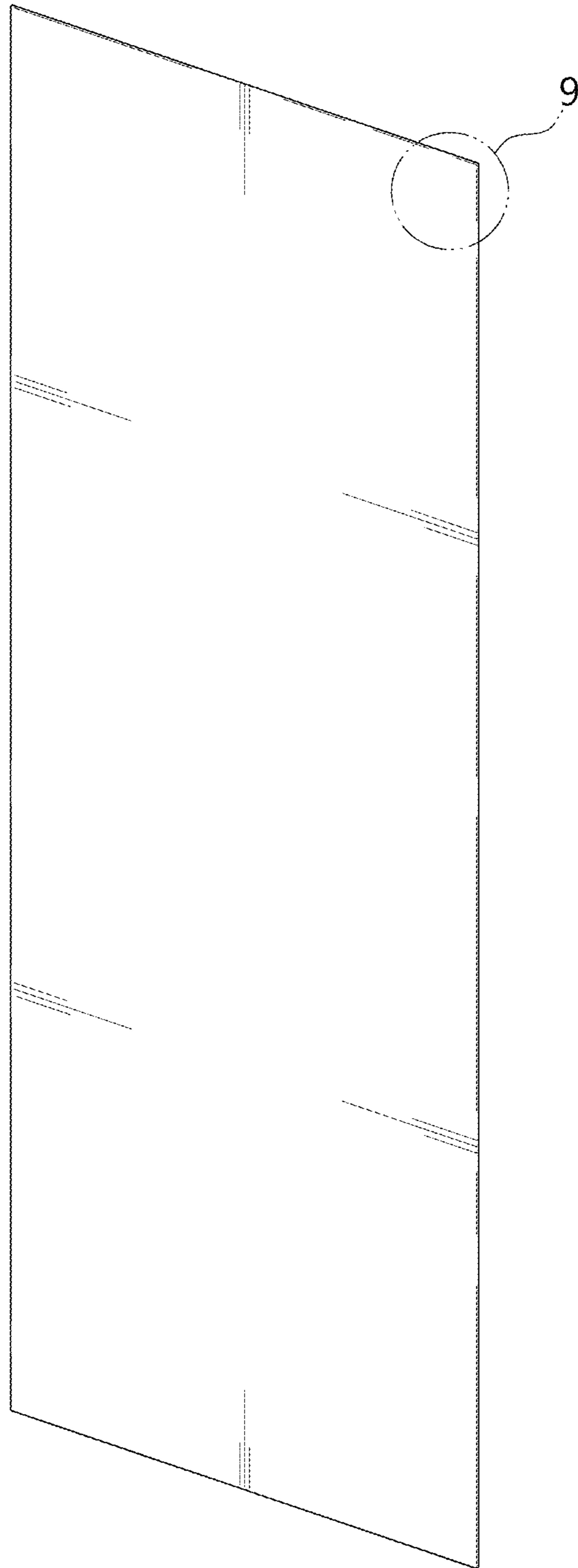


FIG. 2

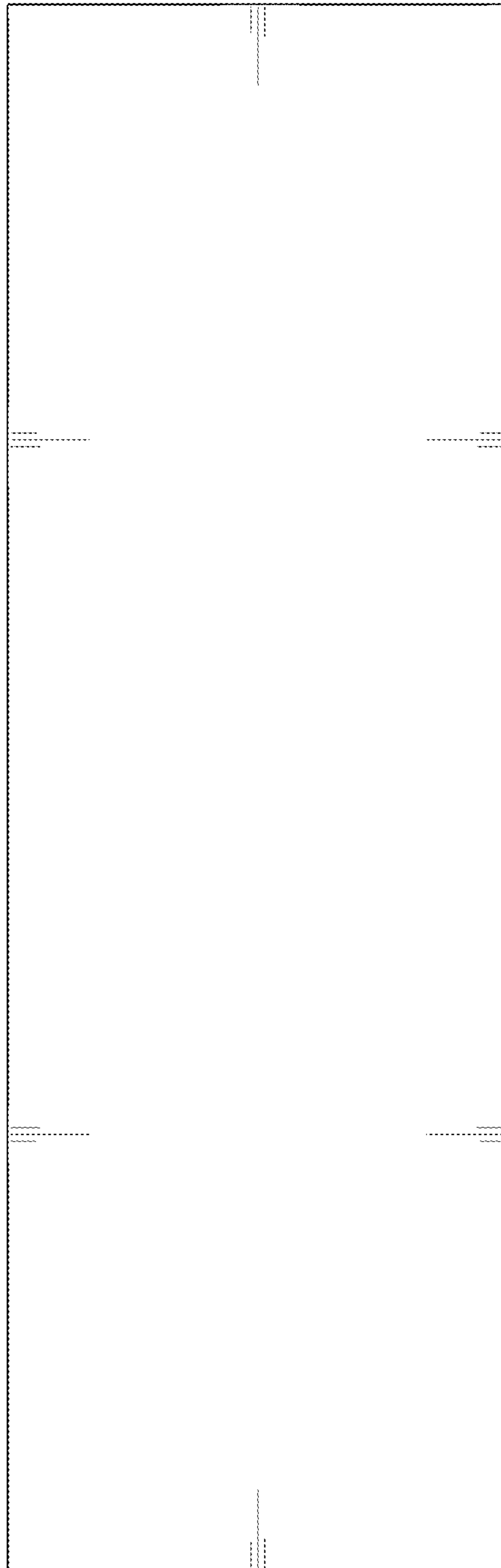


FIG. 3

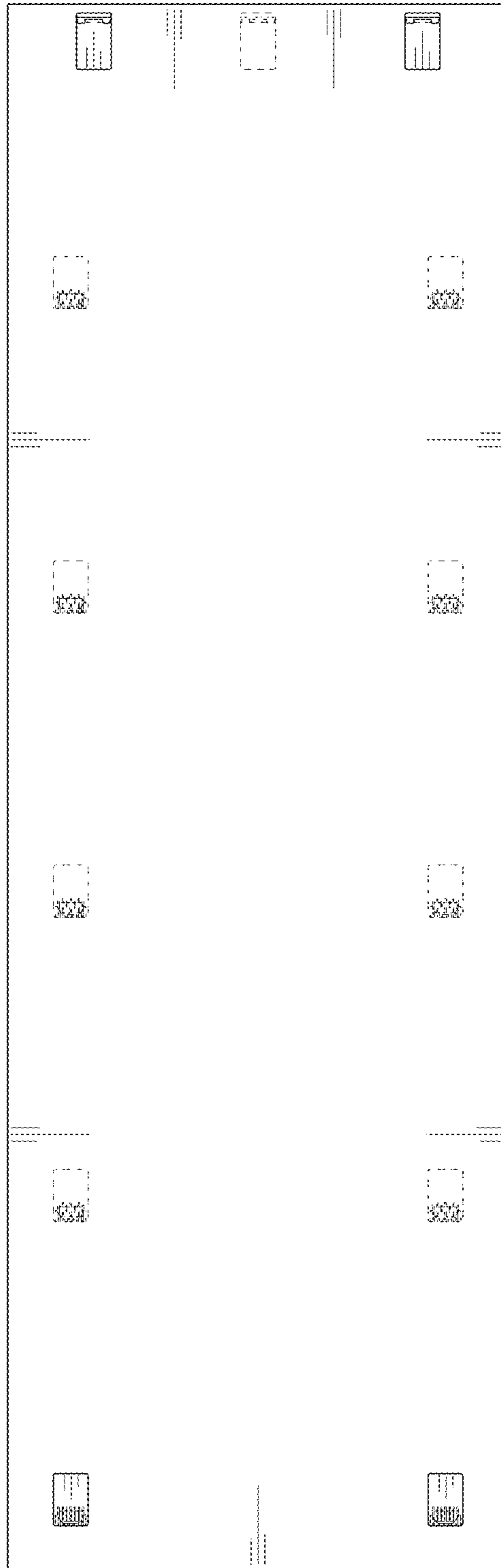


FIG. 4

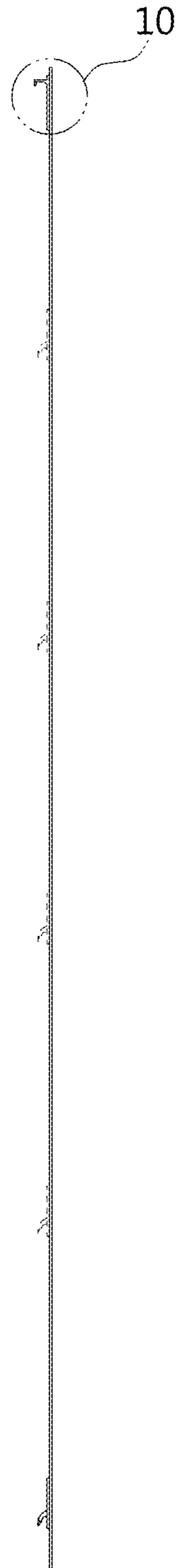


FIG. 5

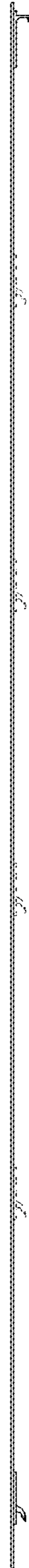


FIG. 6

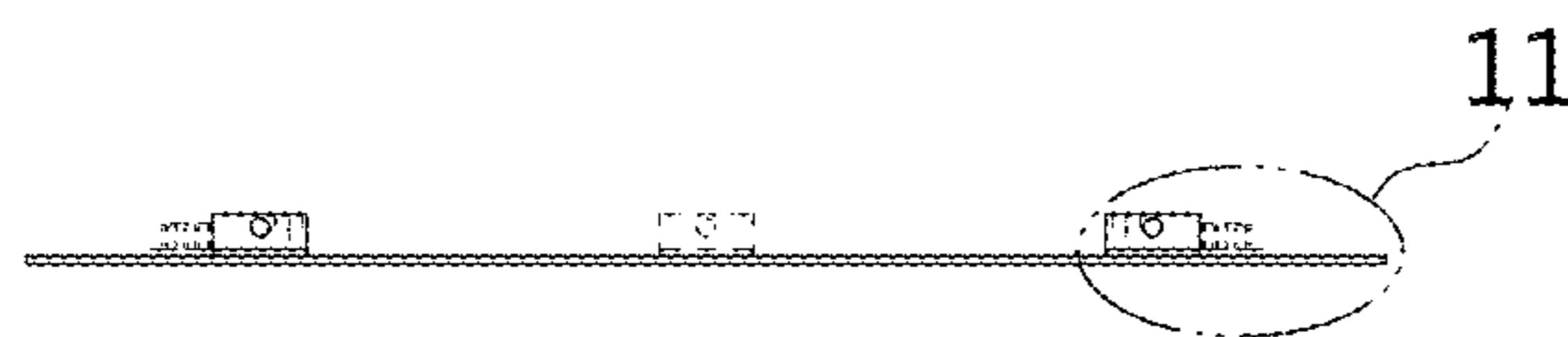




FIG. 7

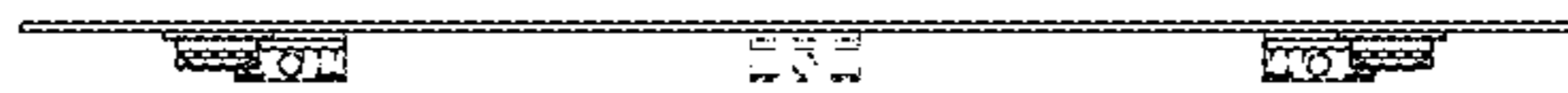


FIG. 8

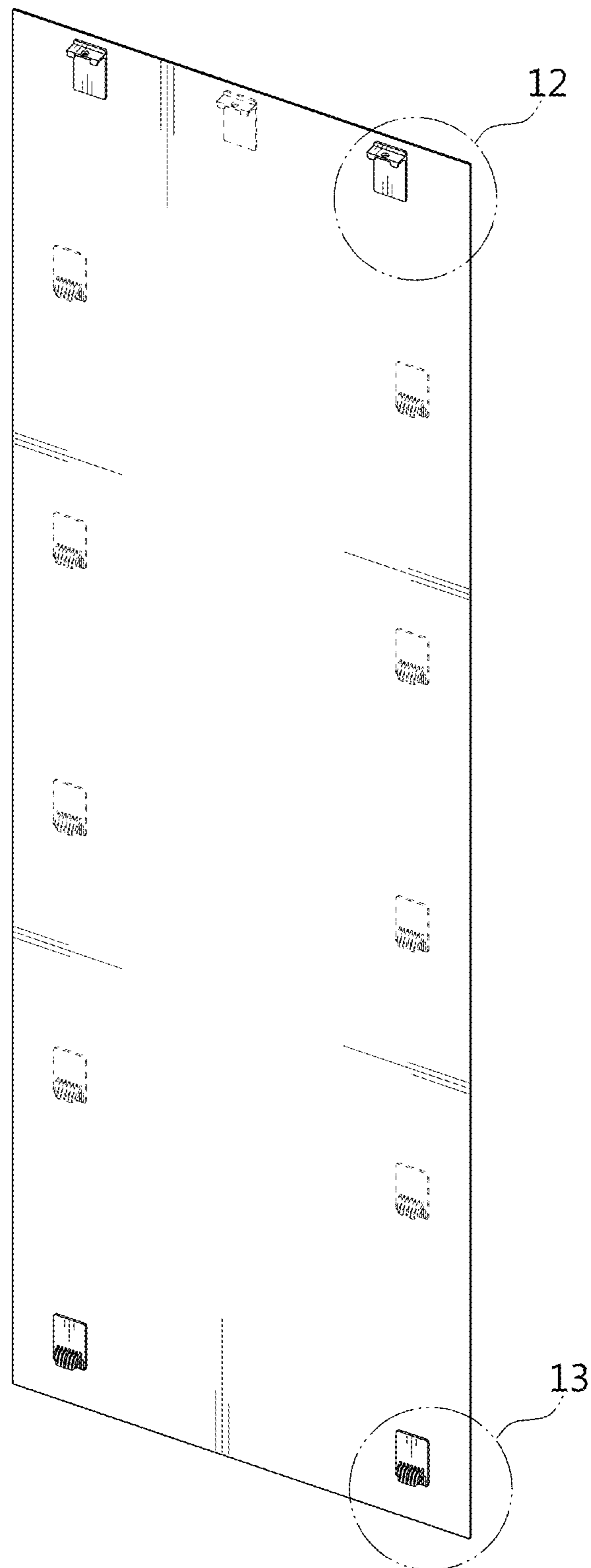


FIG. 9

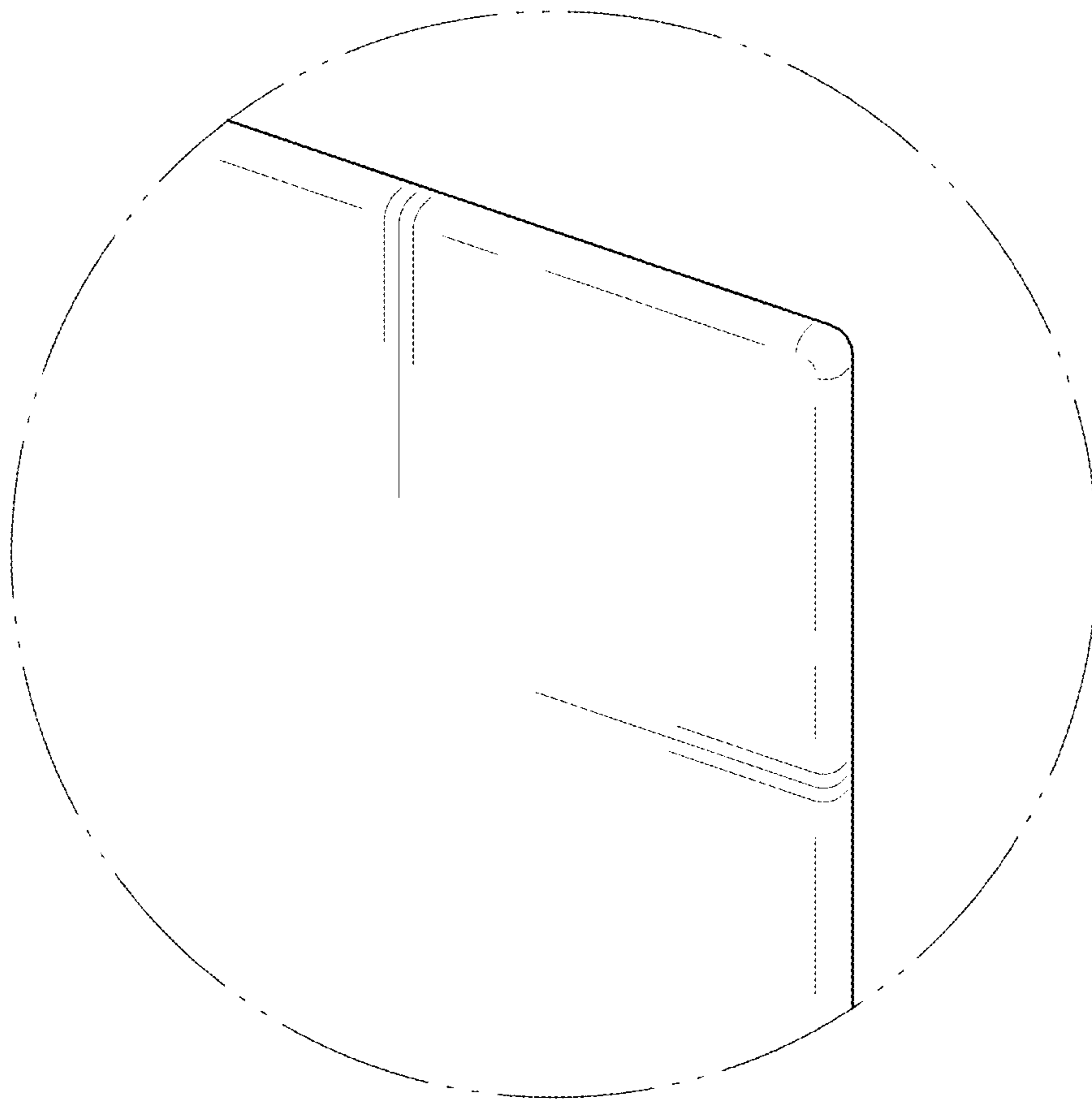


FIG. 10

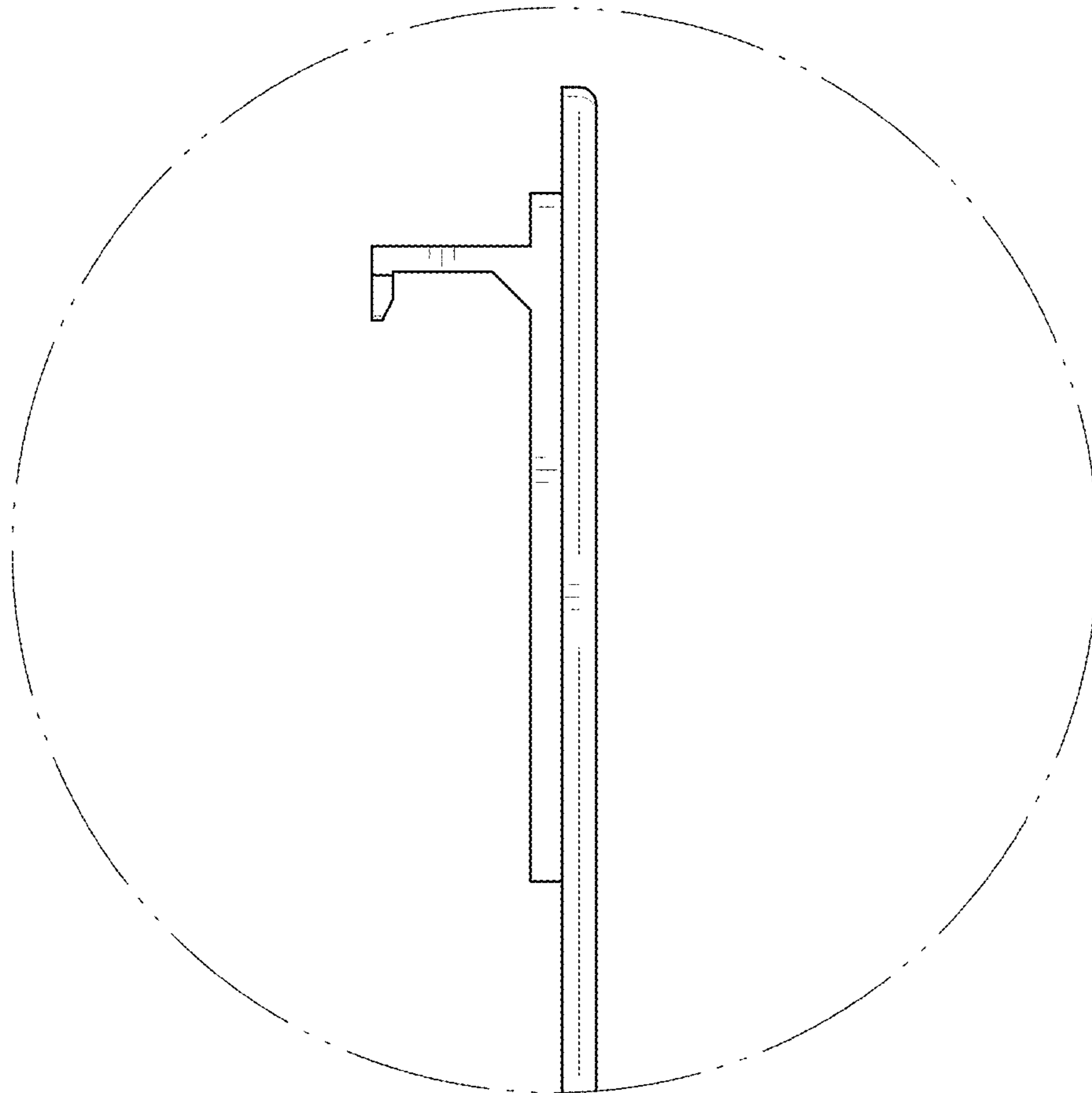


FIG. 11

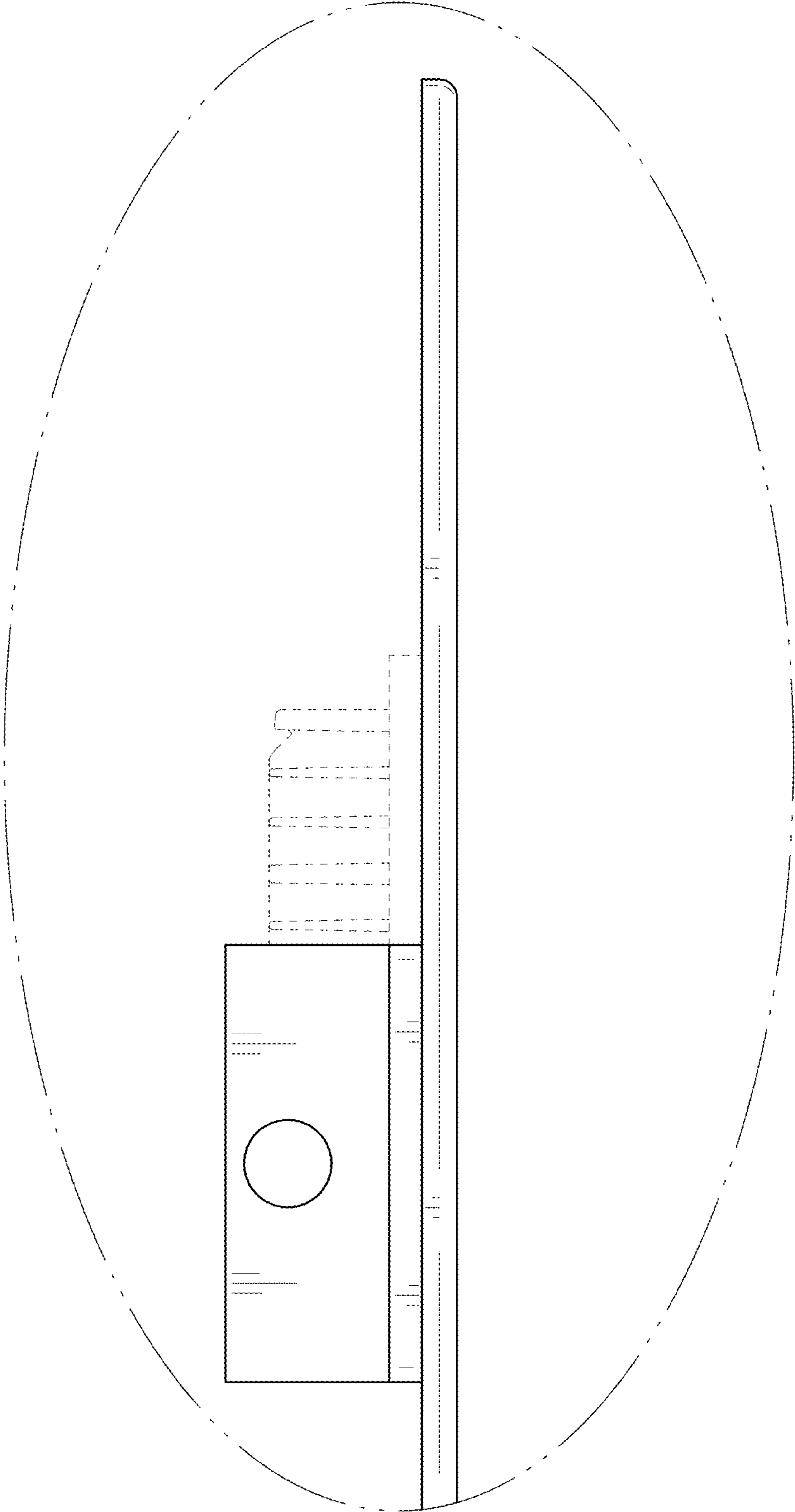


FIG. 12

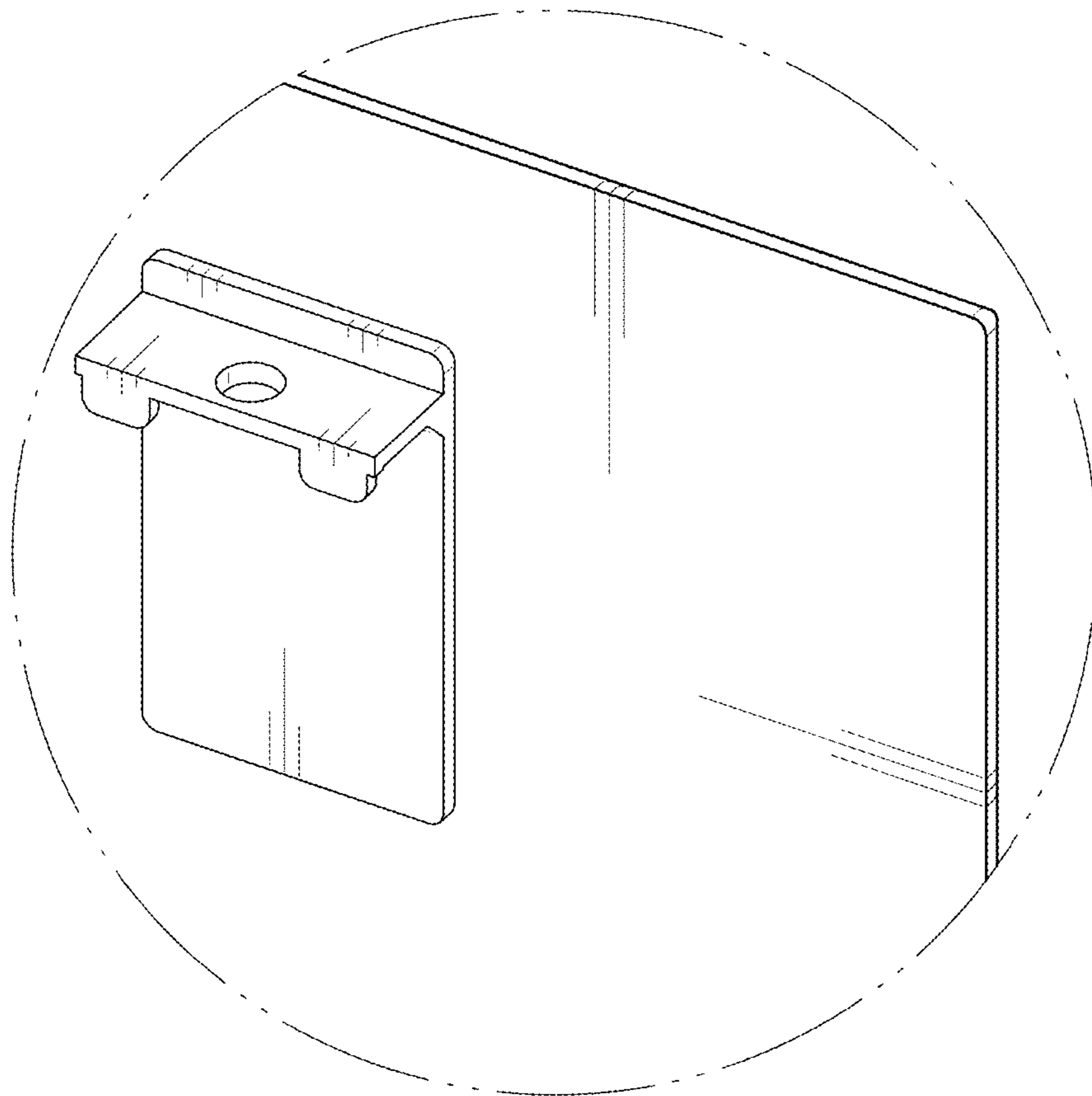


FIG. 13

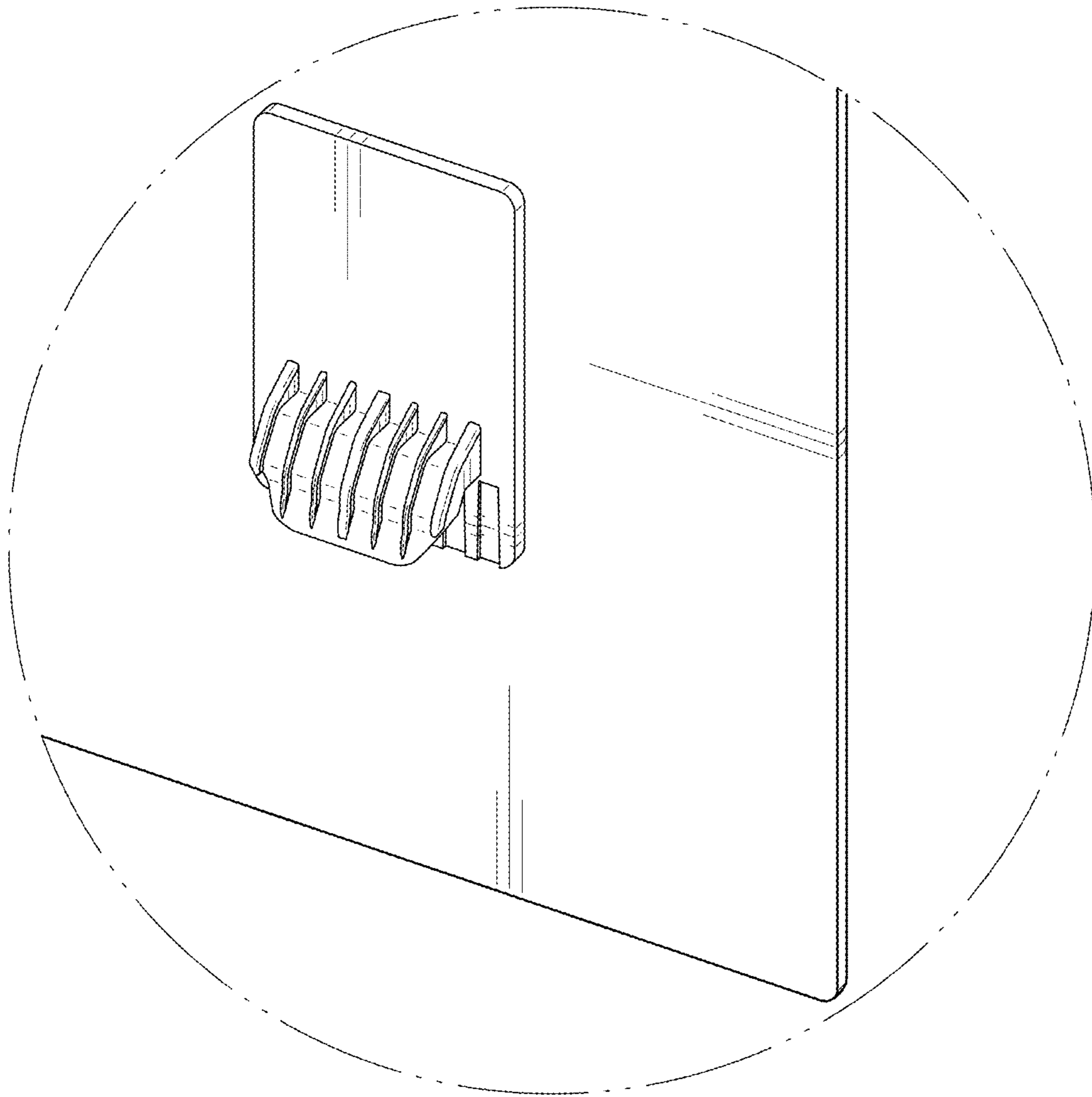


FIG. 14

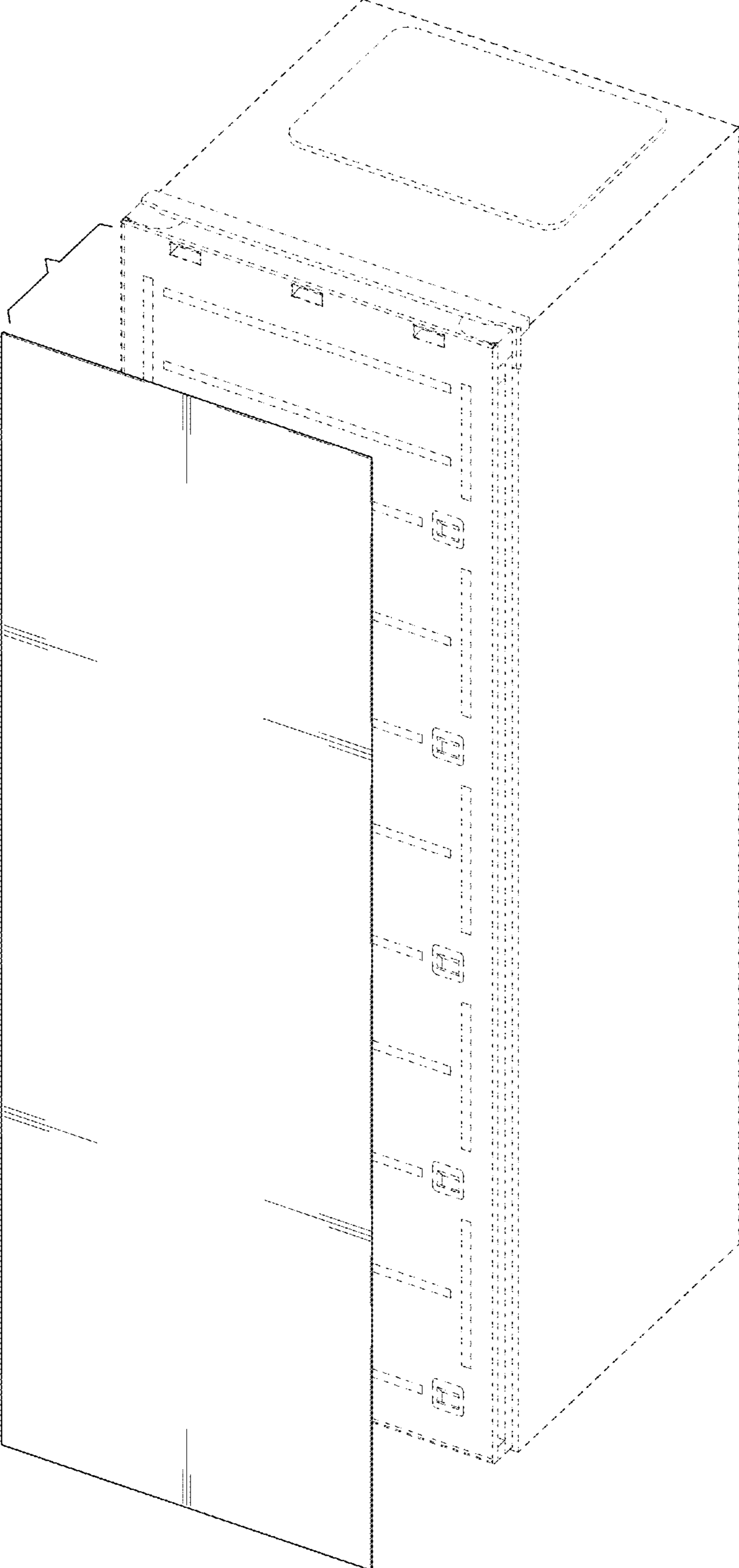




FIG. 15

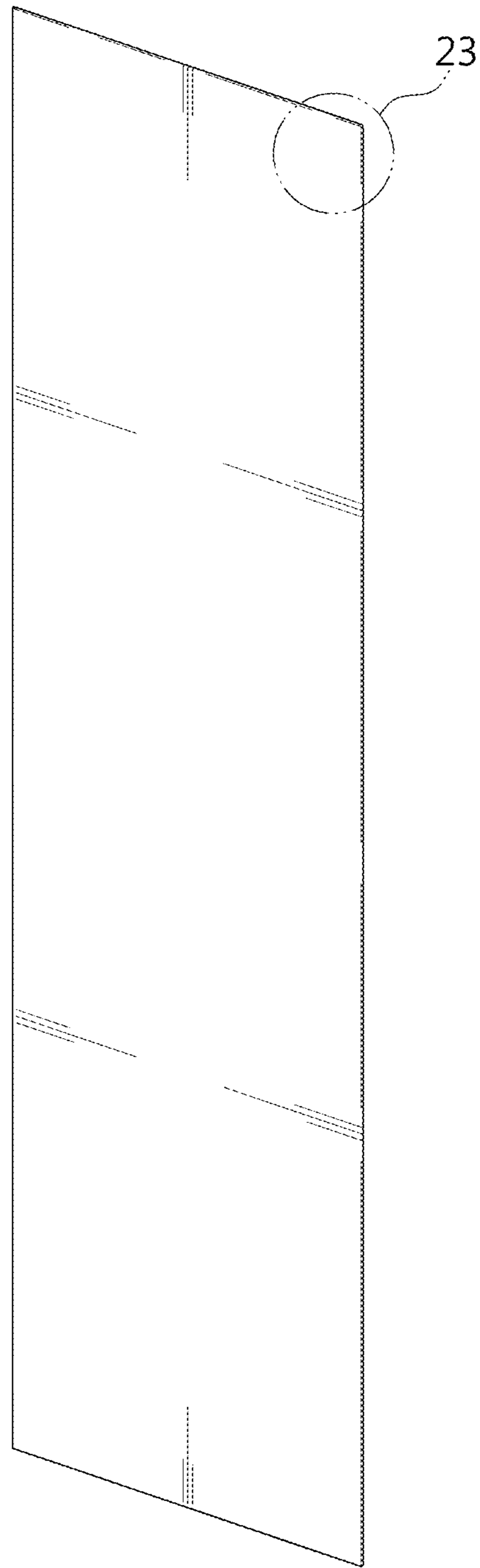


FIG. 16

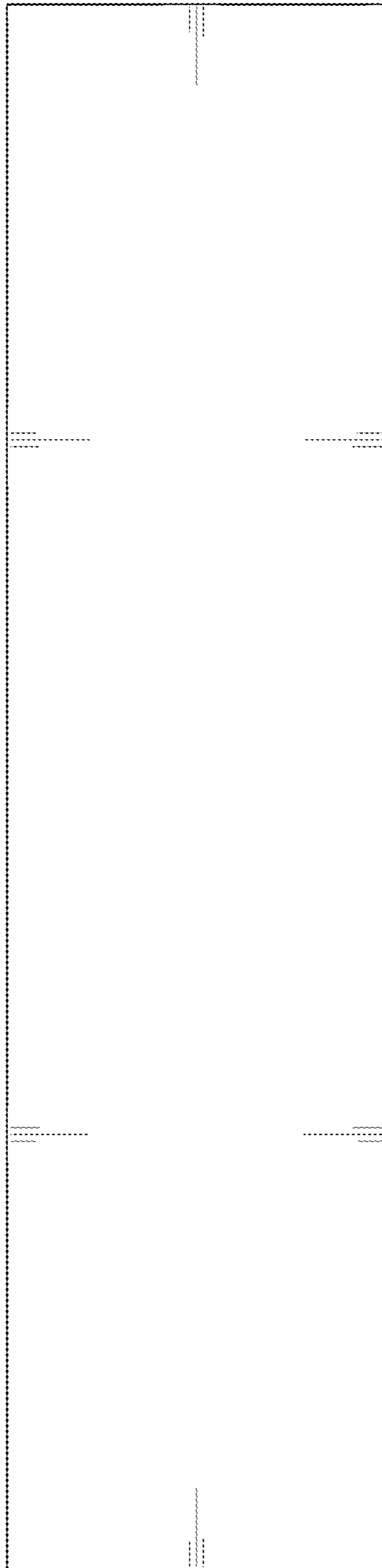


FIG. 17

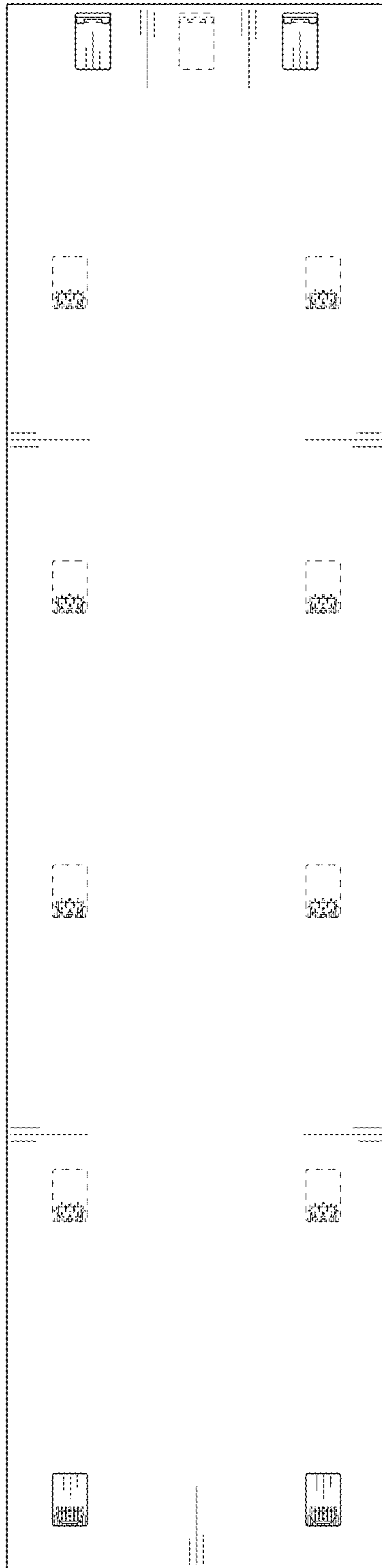


FIG. 18

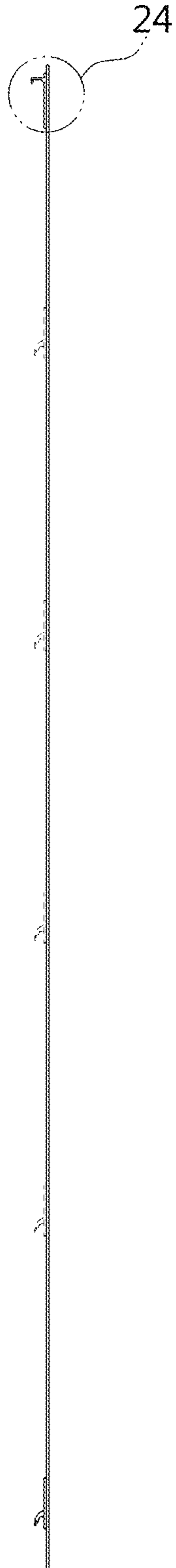


FIG. 19

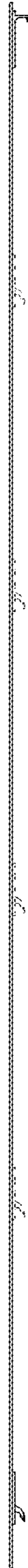


FIG. 20

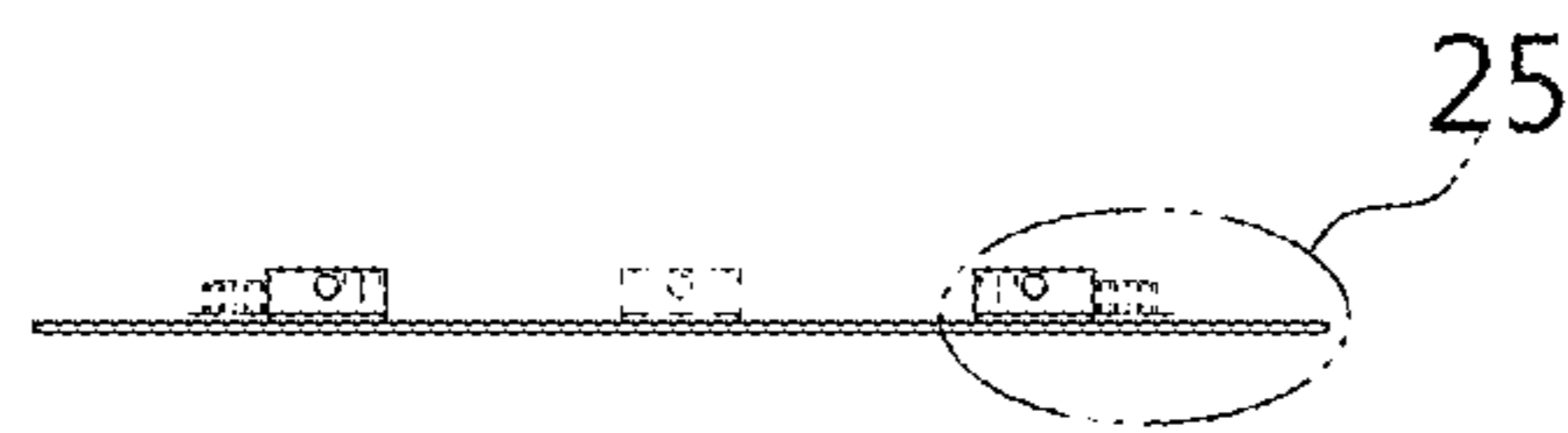


FIG. 21

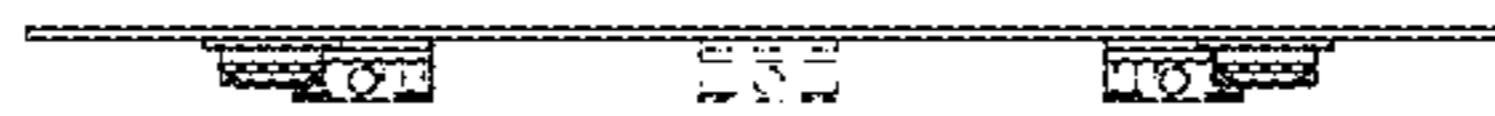


FIG. 22

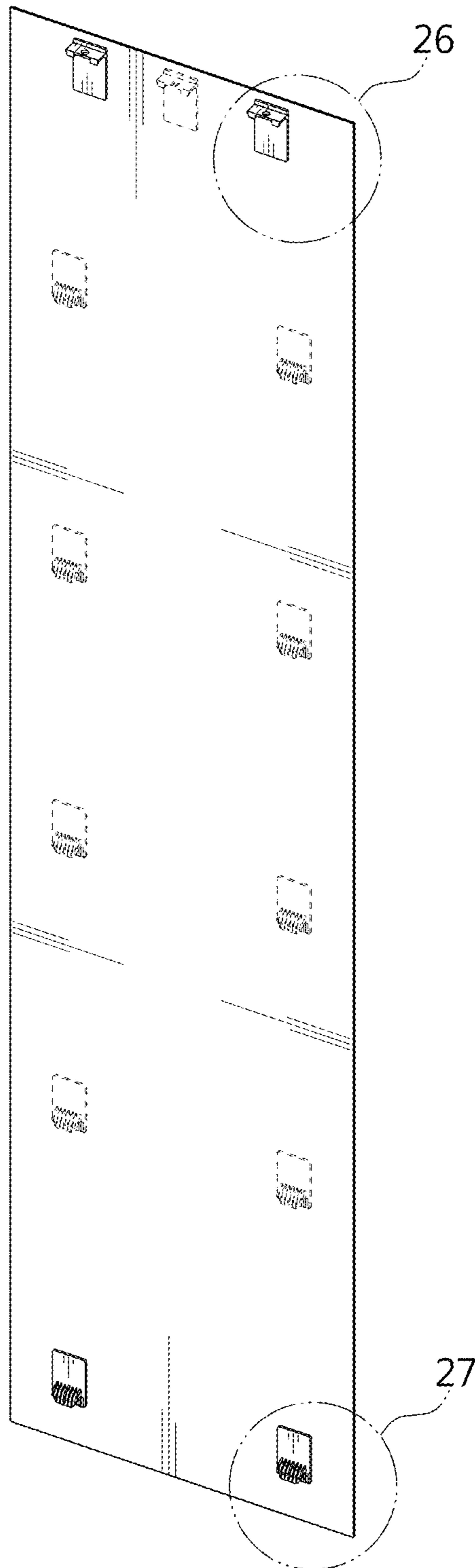




FIG. 23

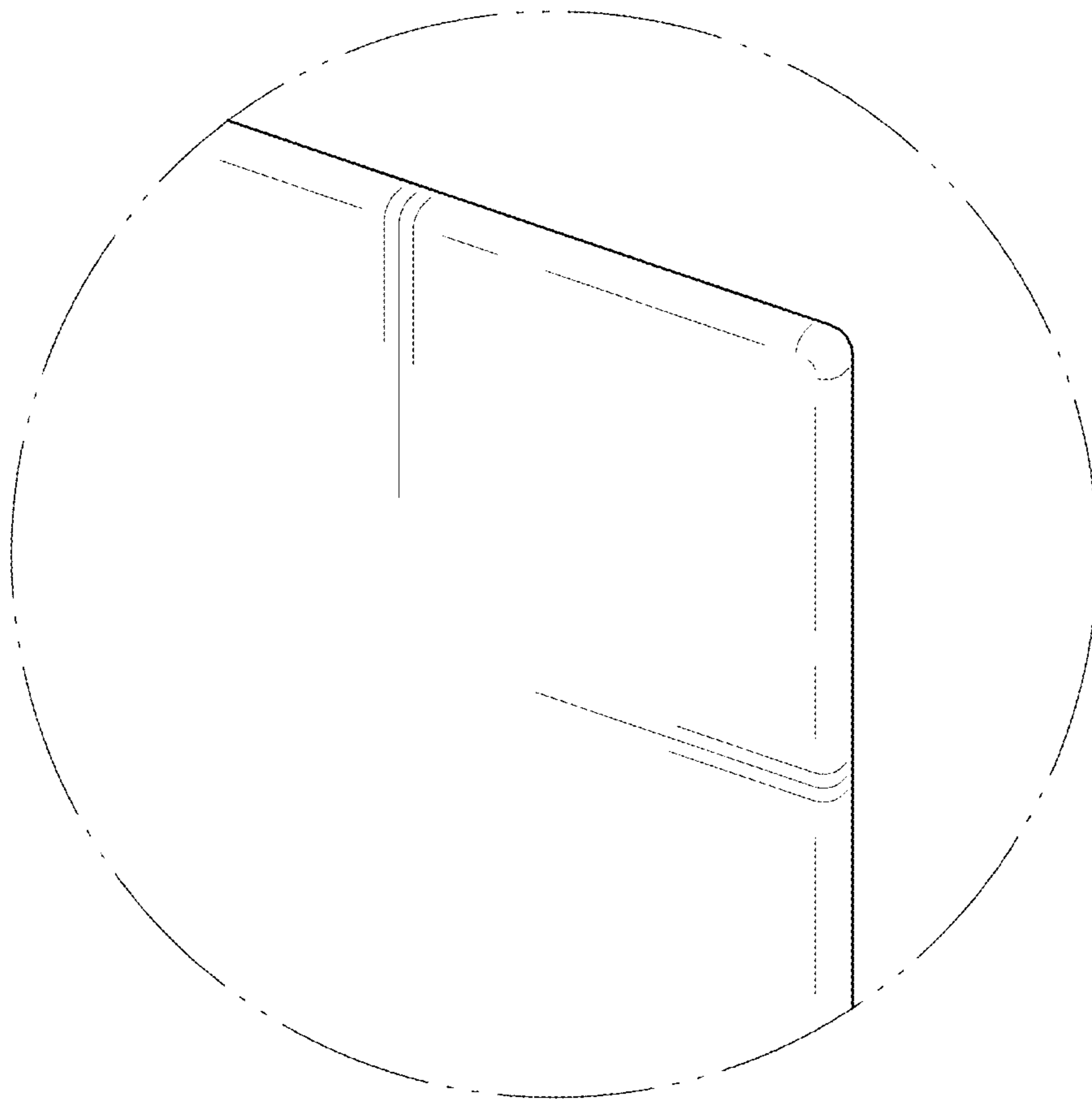


FIG. 24

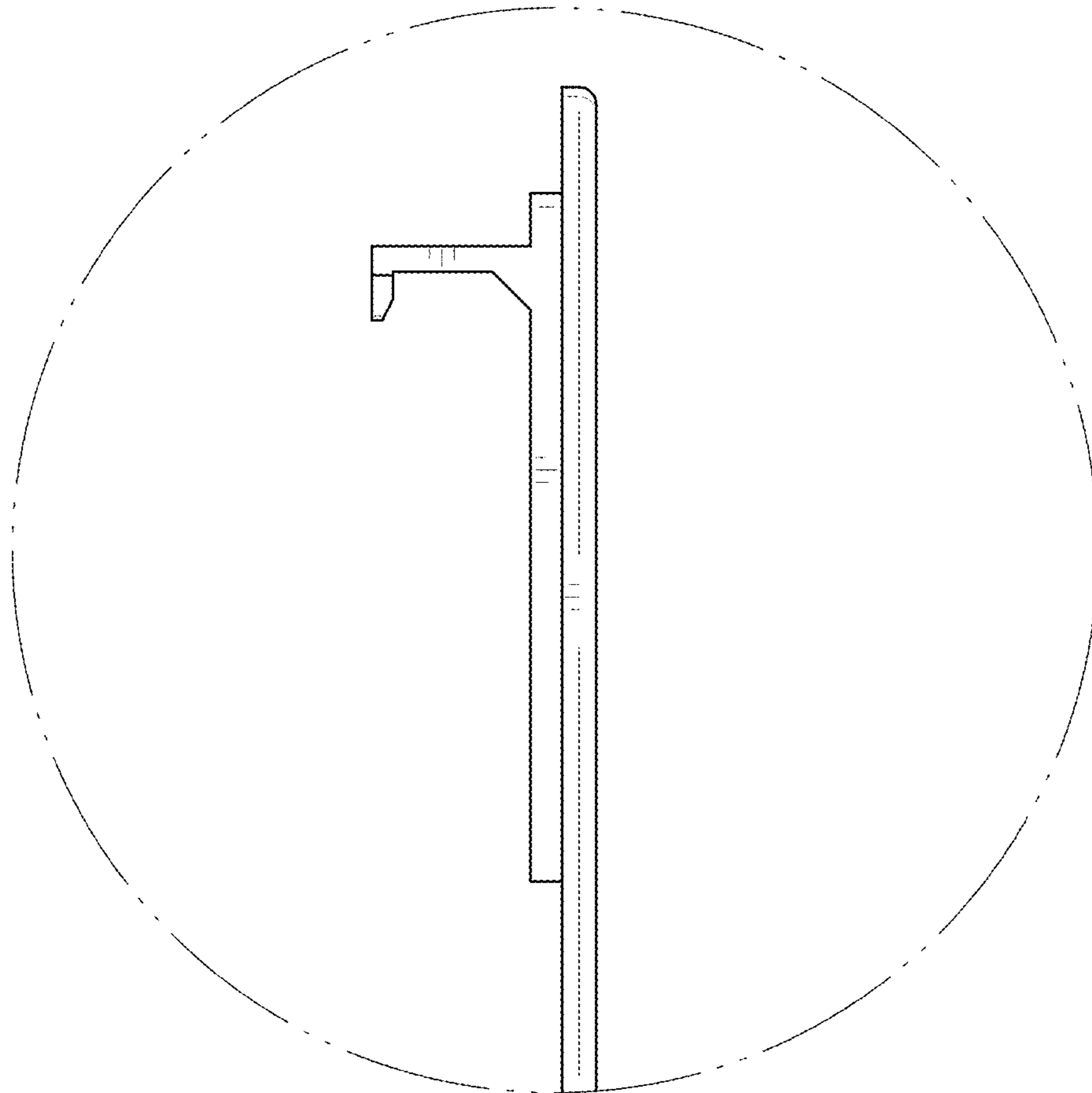


FIG. 25

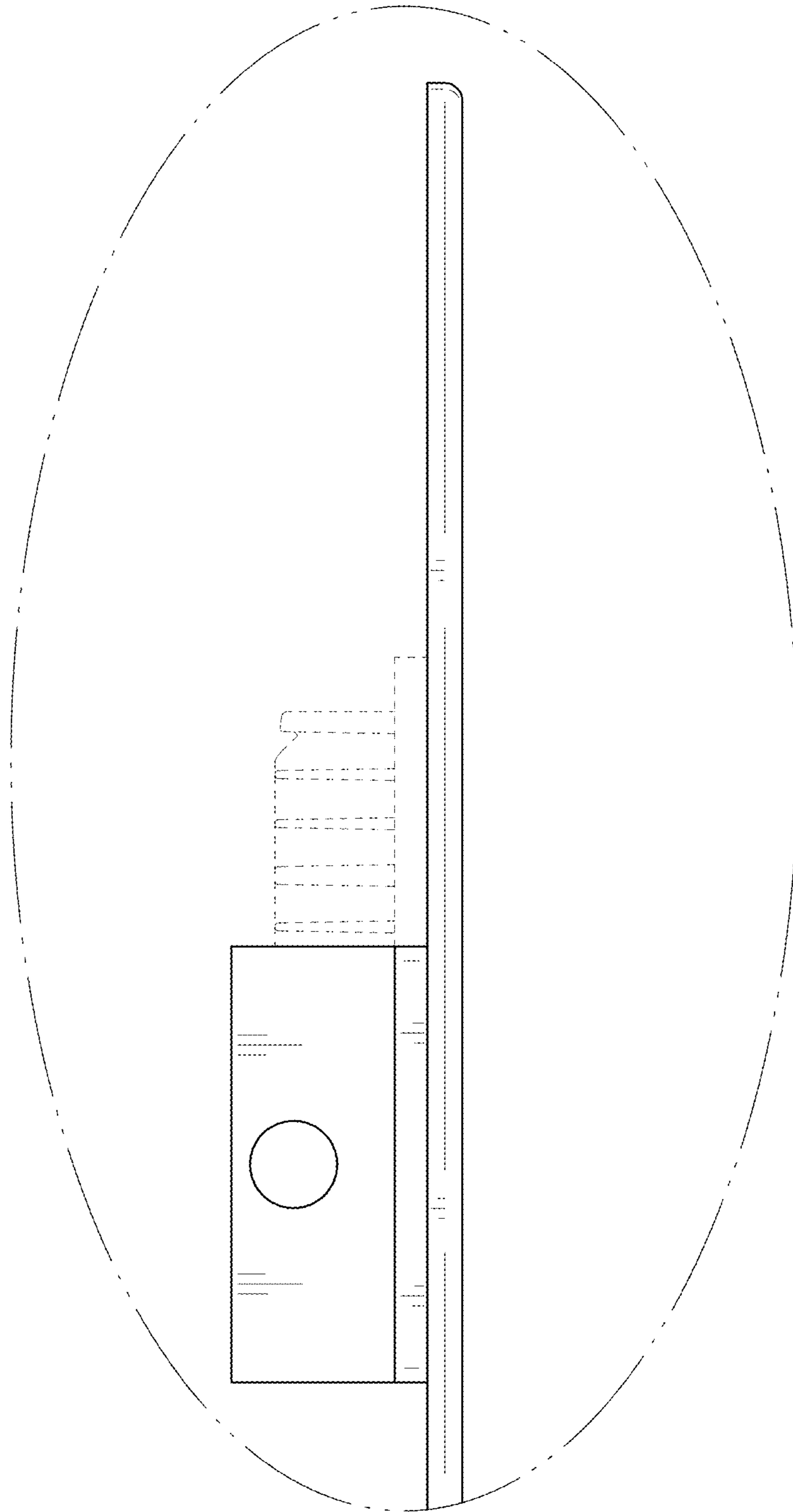


FIG. 26

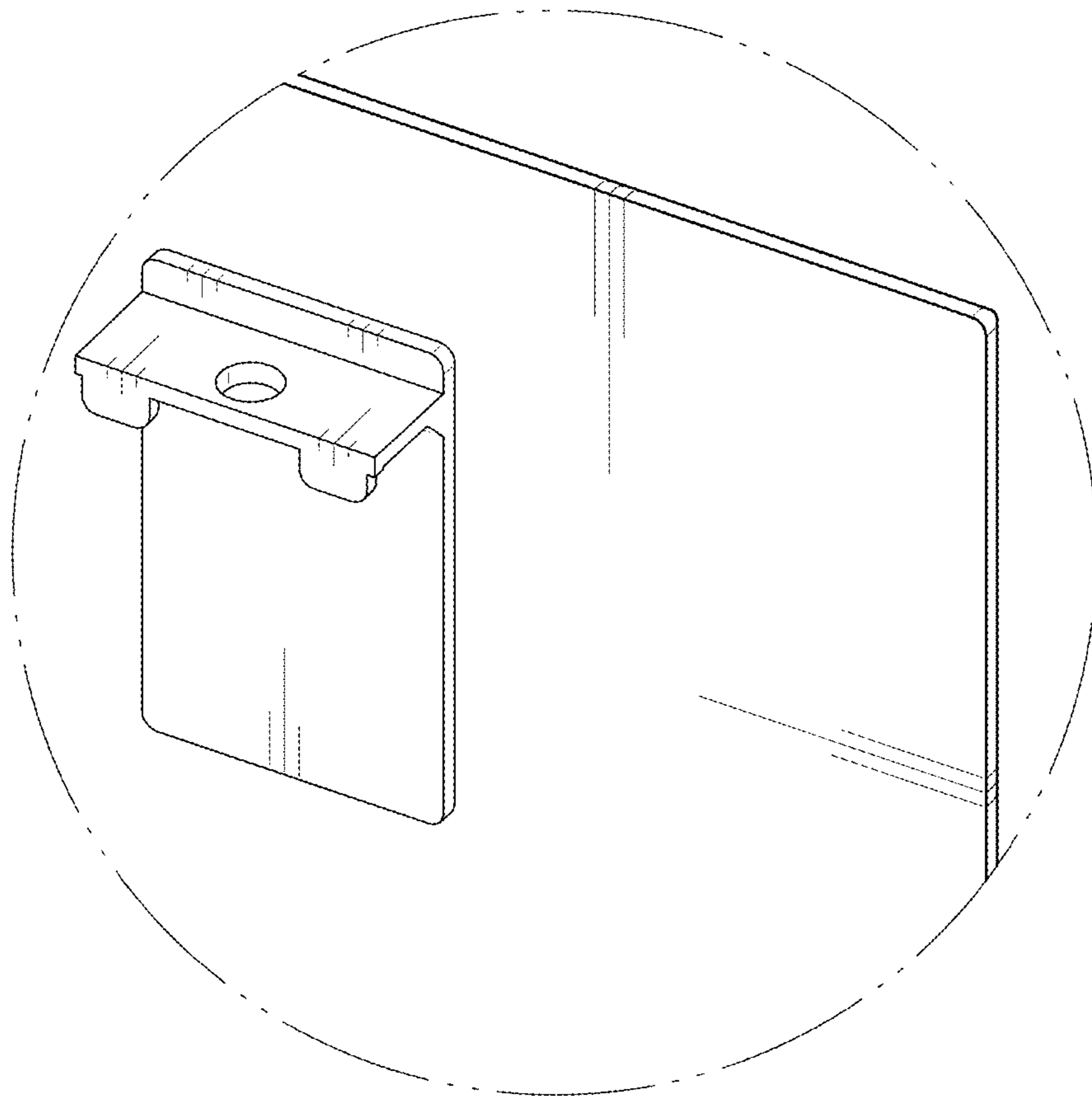


FIG. 27

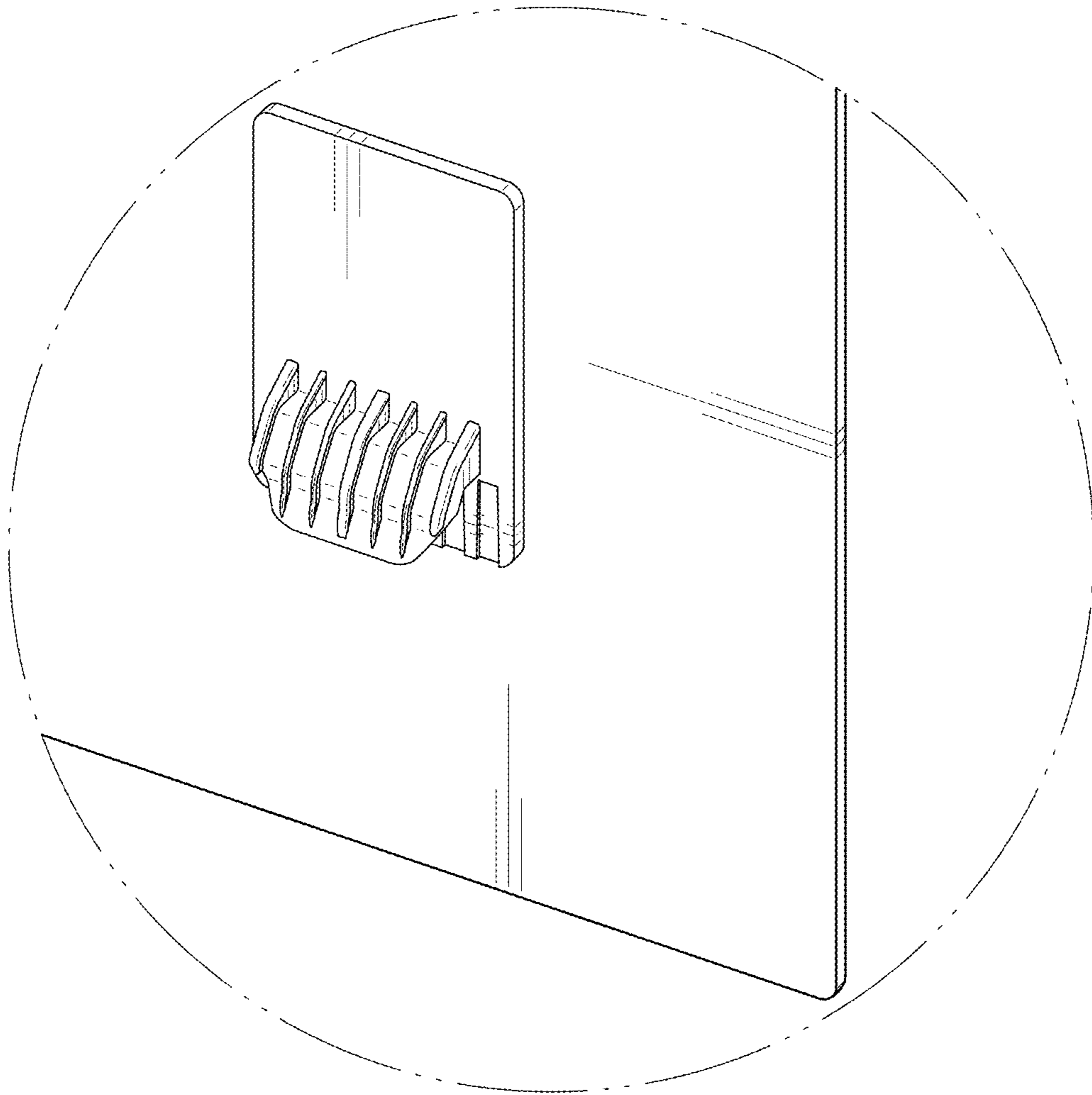


FIG. 28

