



US00D952701S

(12) **United States Design Patent**  
**Shi et al.**

(10) **Patent No.:** **US D952,701 S**

(45) **Date of Patent:** **\*\* May 24, 2022**

(54) **CAR REFRIGERATOR**

(71) Applicant: **NINGBO AQUART ELECTRICAL APPLIANCE CO., LTD.**, Ningbo (CN)

(72) Inventors: **Zukuang Shi**, Wuxi (CN); **Yu Hu**, Anyang (CN); **Yunpeng Shu**, Cixi (CN)

(73) Assignee: **NINGBO AQUART ELECTRICAL APPLIANCE CO., LTD.**, Ningbo (CN)

(\*\*) Term: **15 Years**

(21) Appl. No.: **29/755,646**

(22) Filed: **Oct. 21, 2020**

(51) **LOC (13) Cl.** ..... **15-07**

(52) **U.S. Cl.**  
USPC ..... **D15/83**

(58) **Field of Classification Search**  
USPC ..... D15/79, 80, 81, 82, 83, 84, 85, 86, 87, D15/88, 89, 90, 91  
CPC ..... F25C 2400/10; F25D 2400/10; F25D 2400/12; F25D 2400/14; F25D 2400/18; G05B 2219/2654; G09F 23/0058; Y10S 292/71

See application file for complete search history.

(56) **References Cited**

**U.S. PATENT DOCUMENTS**

D107,767 S *	1/1938	Frick .....	D15/89
D317,454 S *	6/1991	Matsumura .....	D15/83
D320,606 S *	10/1991	Fritsch .....	D15/83
D354,292 S *	1/1995	Monti .....	D15/83
5,860,281 A *	1/1999	Coffee .....	H01L 35/00 312/317.3
D516,099 S *	2/2006	Maruyama .....	D15/83
D558,239 S *	12/2007	Takemoto .....	D15/79

D660,885 S *	5/2012	Crawford .....	D15/83
D671,569 S *	11/2012	Pauschitz .....	D15/83
D749,653 S *	2/2016	Carnes .....	D15/89
D750,140 S *	2/2016	Cross .....	D15/81
9,671,158 B1 *	6/2017	Sandberg .....	F25D 27/00
D792,486 S *	7/2017	Li .....	D15/81
9,726,424 B1 *	8/2017	Sandberg .....	A45C 5/14
D802,630 S *	11/2017	Li .....	D15/81
D822,721 S *	7/2018	Tschopp .....	D15/79
D828,408 S *	9/2018	Huang .....	D15/81
D830,429 S *	10/2018	Brown .....	D15/79
D851,138 S *	6/2019	Murabayashi .....	D15/81
D880,540 S *	4/2020	Xie .....	D15/83
D898,083 S *	10/2020	Yao .....	D15/79
D905,129 S *	12/2020	Deng .....	D15/81
D907,074 S *	1/2021	Yang .....	D15/83
D909,432 S *	2/2021	Xu .....	D15/79

(Continued)

*Primary Examiner* — Mojtaba Tehrani

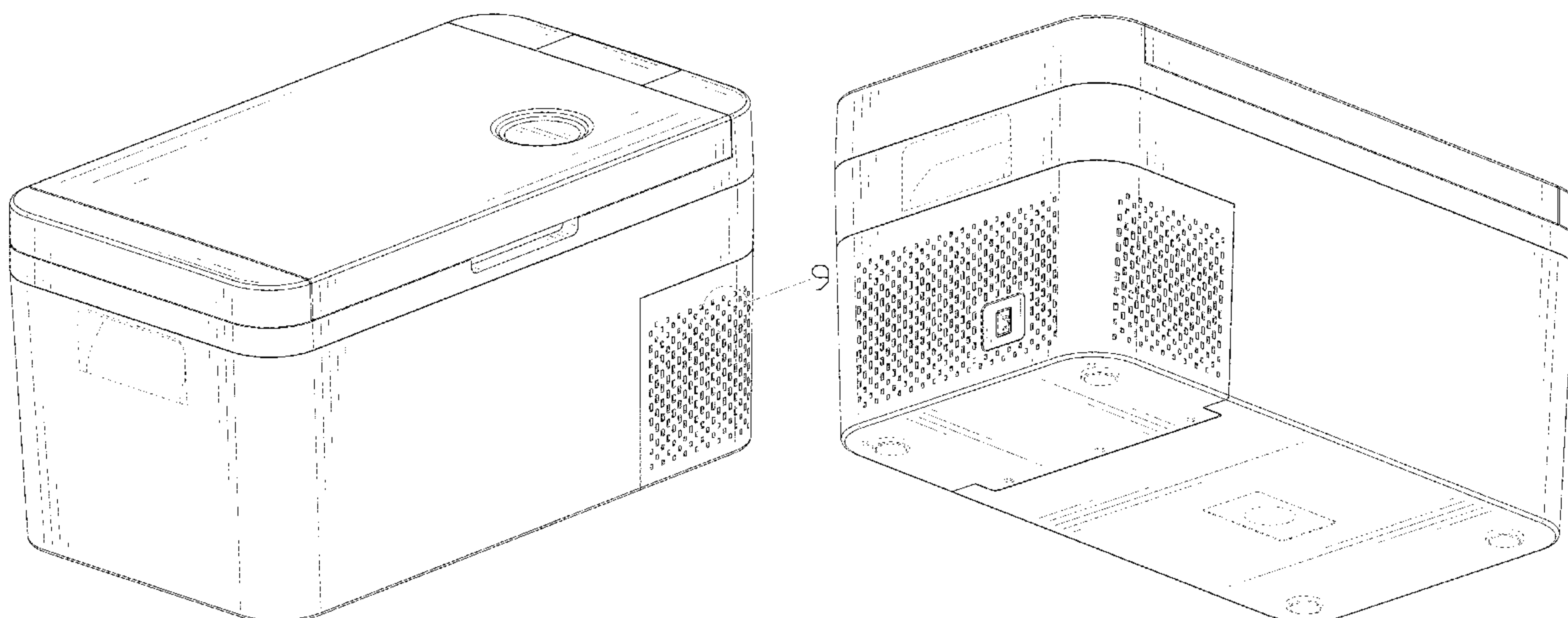
(57) **CLAIM**

The ornamental design for a car refrigerator, as shown and described.

**DESCRIPTION**

FIG. 1 is a perspective view of a car refrigerator showing my new design;  
 FIG. 2 is another perspective view thereof;  
 FIG. 3 is a front elevational view thereof;  
 FIG. 4 is a rear elevational view thereof;  
 FIG. 5 is a left side elevational view thereof;  
 FIG. 6 is a right side elevational view thereof;  
 FIG. 7 is a top plan view thereof;  
 FIG. 8 is a bottom plan view thereof; and,  
 FIG. 9 is an enlarged view of portion 9 shown in FIG. 1.  
 The evenly broken line in the figure drawings depicts unclaimed portions of the car refrigerator; the dash-dot broken line discloses the boundaries of the isolated and enlarged views. The broken lines form no part of the claimed design.

**1 Claim, 9 Drawing Sheets**



(56)

References Cited

U.S. PATENT DOCUMENTS

D916,144	S *	4/2021	Deng	.....	D15/79
D929,471	S *	8/2021	Meda	.....	D15/79
D937,328	S *	11/2021	Tang	.....	D15/79
D939,594	S *	12/2021	Chen	.....	D15/81
D944,299	S *	2/2022	Astle	.....	D15/79
2005/0081558	A1 *	4/2005	Yoshida	.....	F25D 11/003 62/6
2009/0277187	A1 *	11/2009	McGann	.....	F25B 27/002 62/235.1
2015/0267956	A1 *	9/2015	Miller	.....	F25D 27/00 62/457.7
2017/0043906	A1 *	2/2017	Ravenscraft, Jr.	.....	B62B 1/10
2018/0100682	A1 *	4/2018	Nilsen	.....	F25D 11/006
2018/0141718	A1 *	5/2018	Ahlstrbm	.....	F25D 25/022
2018/0216854	A1 *	8/2018	Espinosa Need	.....	F25D 3/107
2018/0266749	A1 *	9/2018	Morgan	.....	F25D 11/027
2019/0331391	A1 *	10/2019	Campbell	.....	F25D 3/08
2020/0033044	A1 *	1/2020	Spoor	.....	F25D 3/08
2020/0132356	A1 *	4/2020	Tang	.....	F25D 23/02
2020/0217578	A1 *	7/2020	Wang	.....	F25D 11/003
2020/0397138	A1 *	12/2020	Lubben	.....	A47C 11/00
2021/0018250	A1 *	1/2021	Tang	.....	F25B 27/00
2021/0364222	A1 *	11/2021	Bischof	.....	F25D 23/02
2022/0065520	A1 *	3/2022	Lazar	.....	F25D 17/065

\* cited by examiner

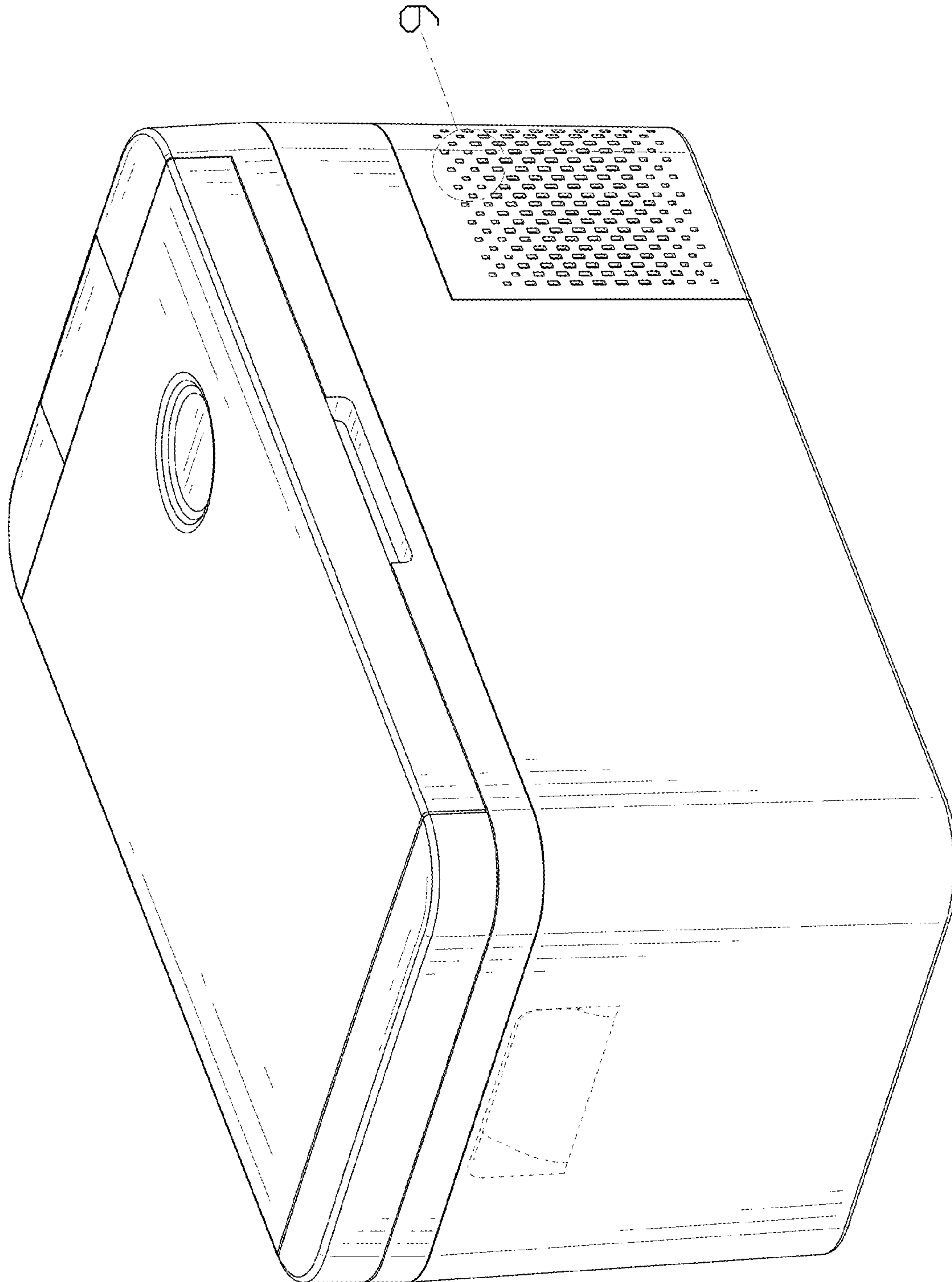


FIG. 1



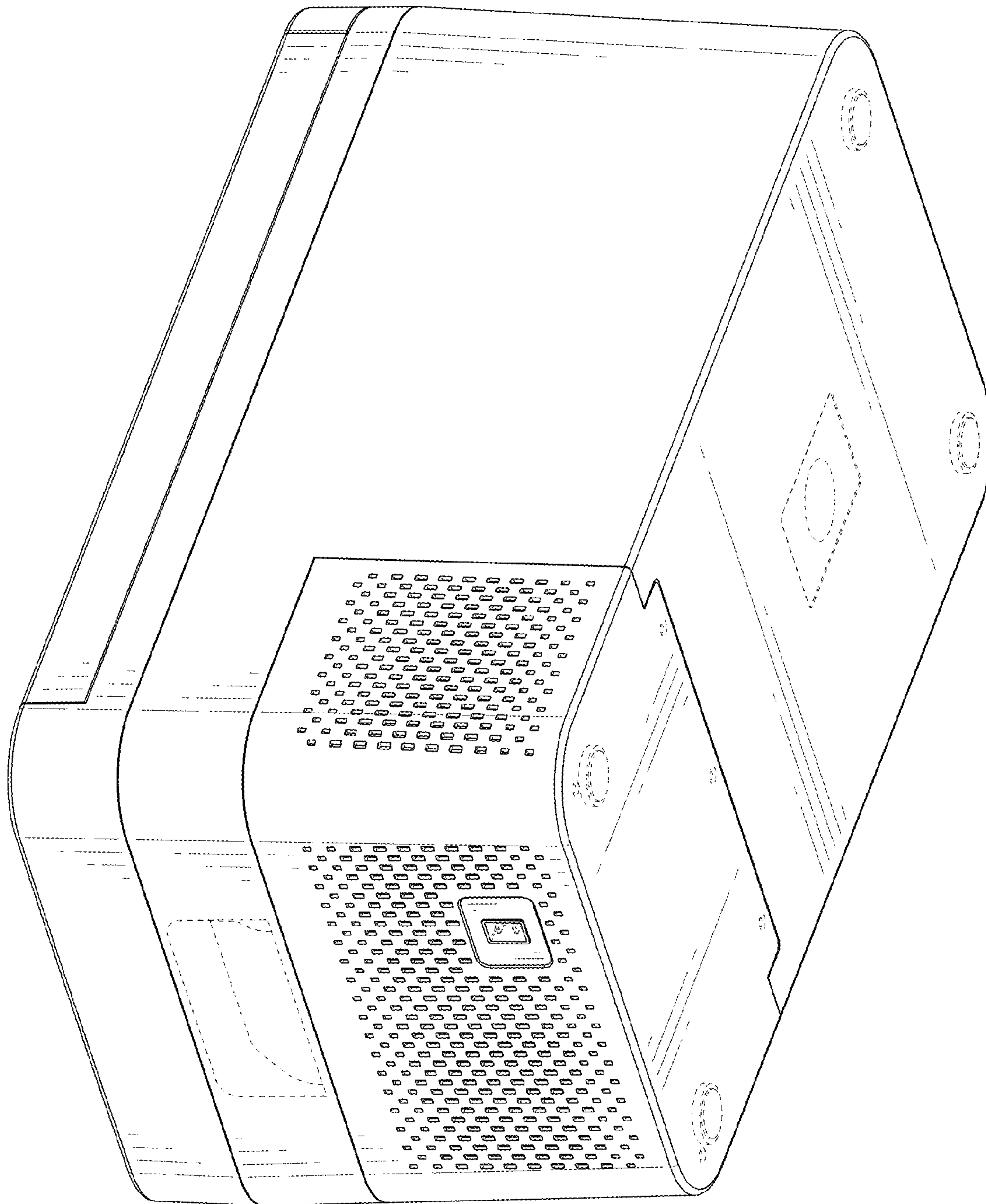


FIG. 2

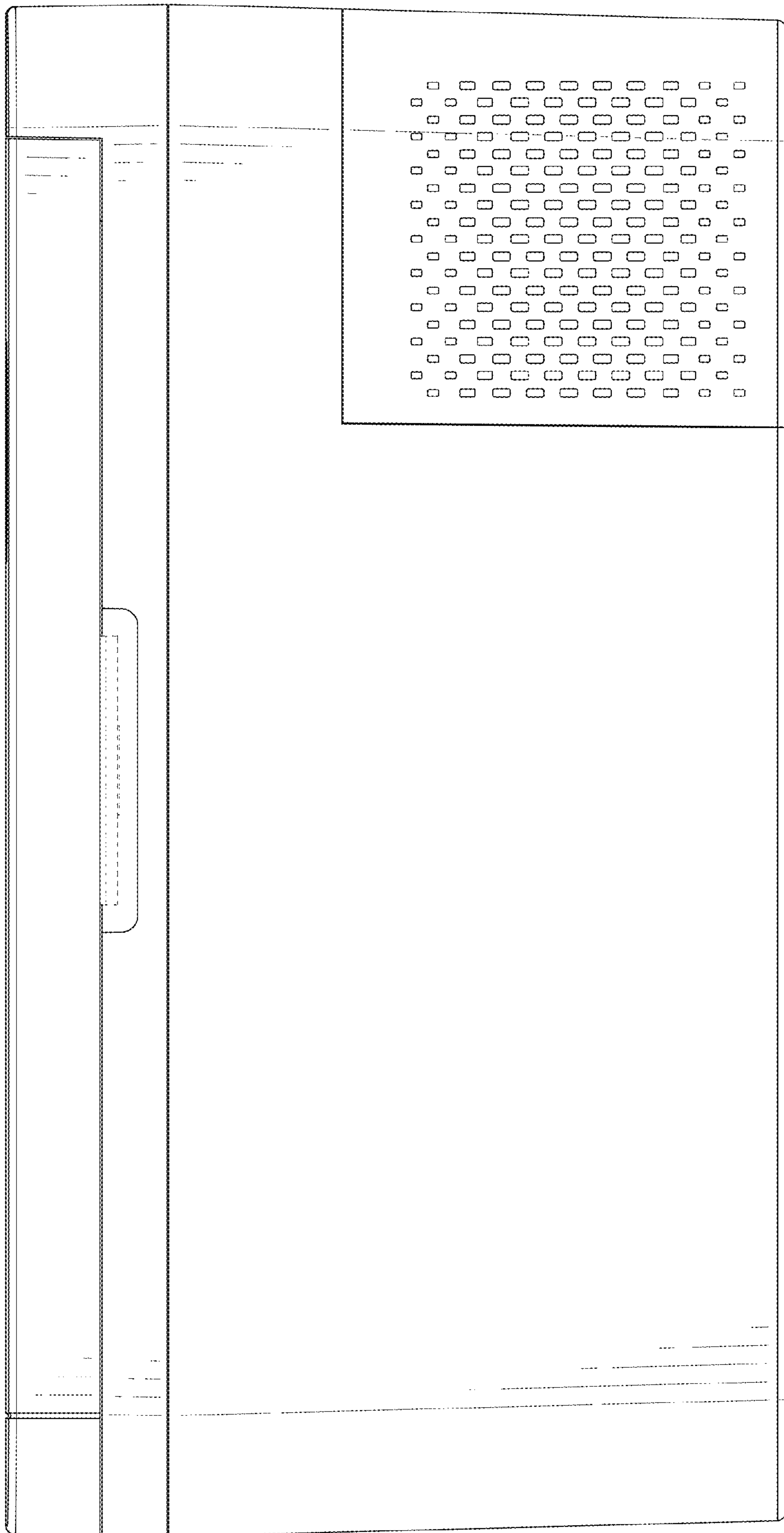


FIG. 3

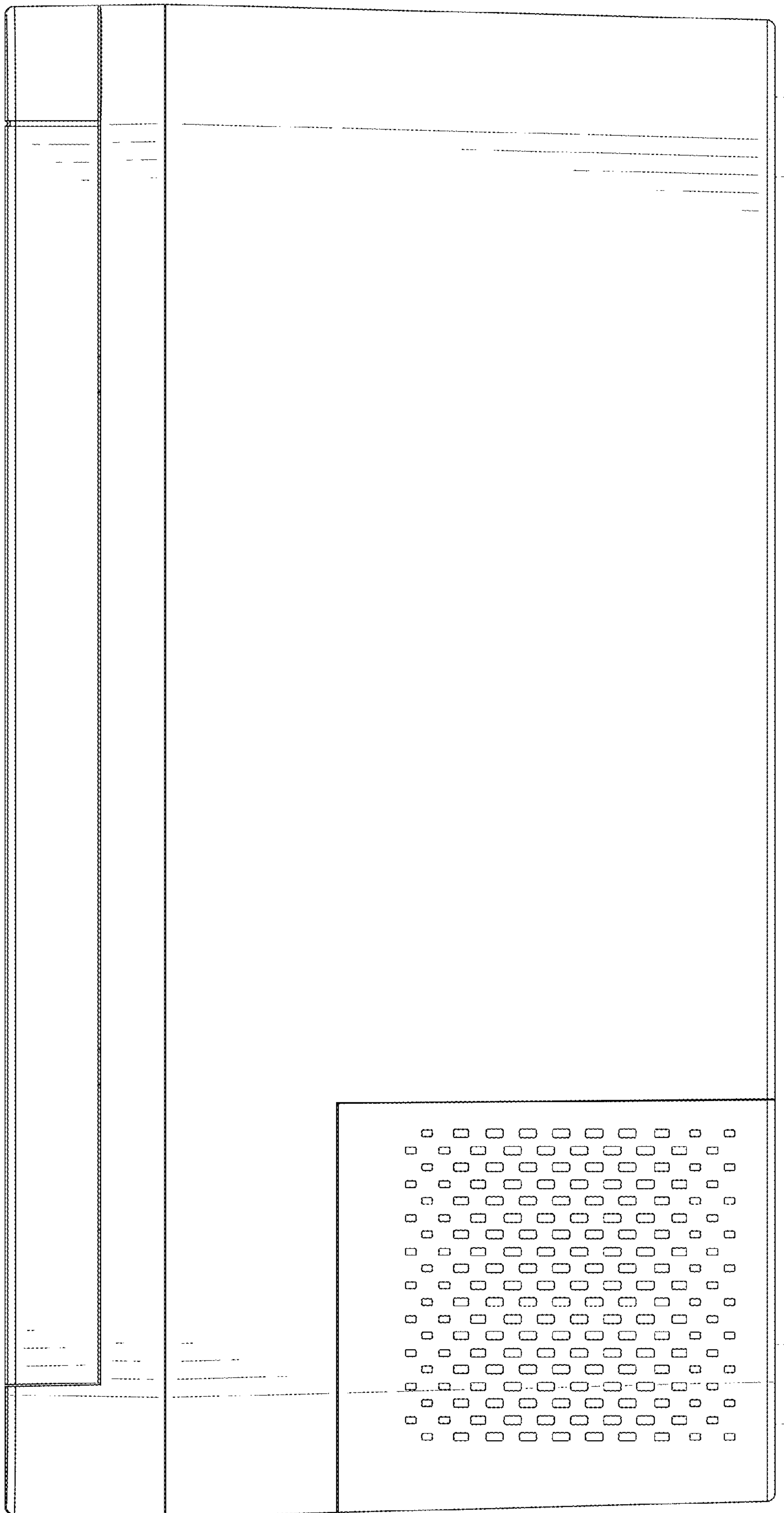


FIG. 4

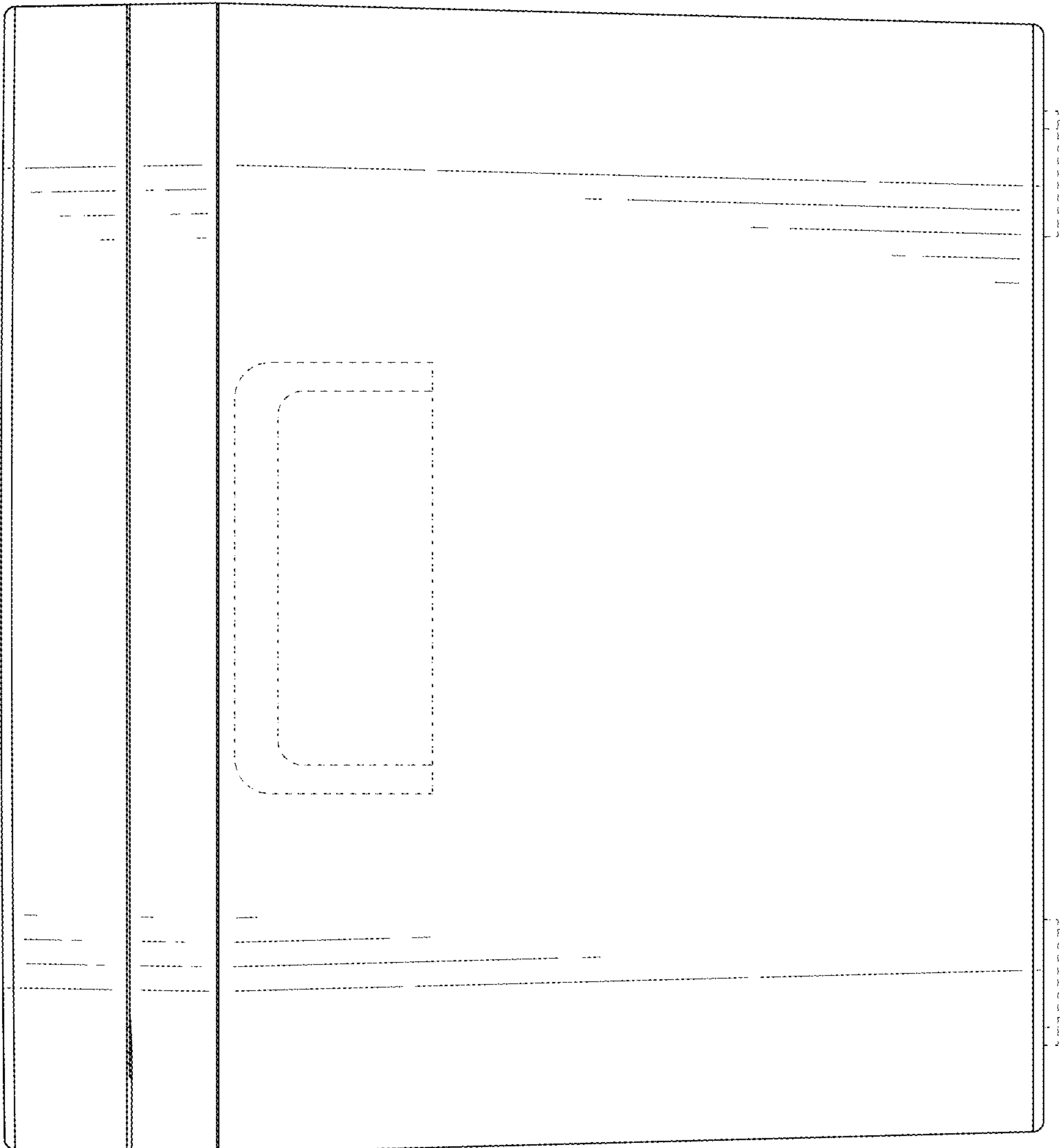


FIG. 5

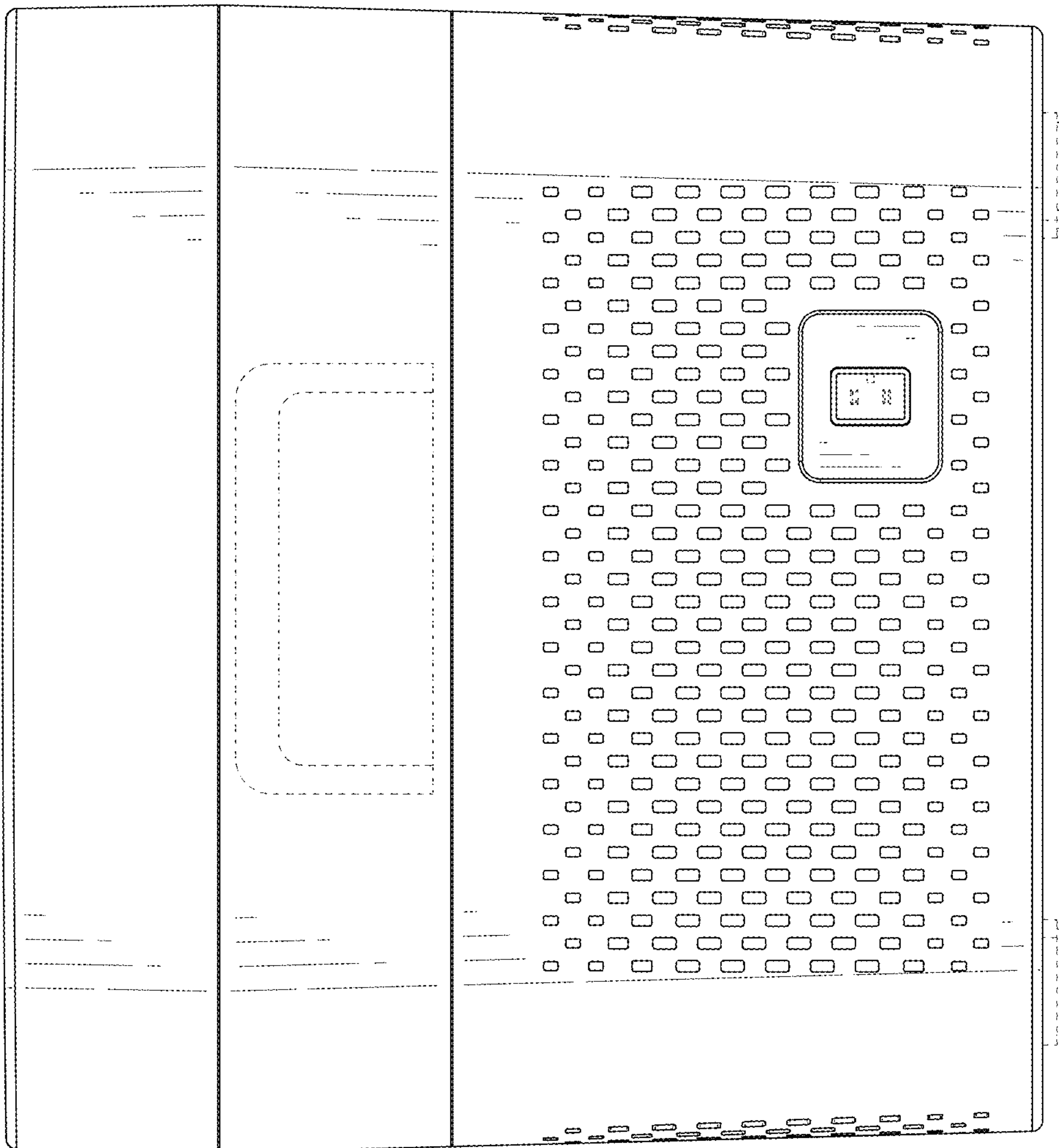


FIG. 6



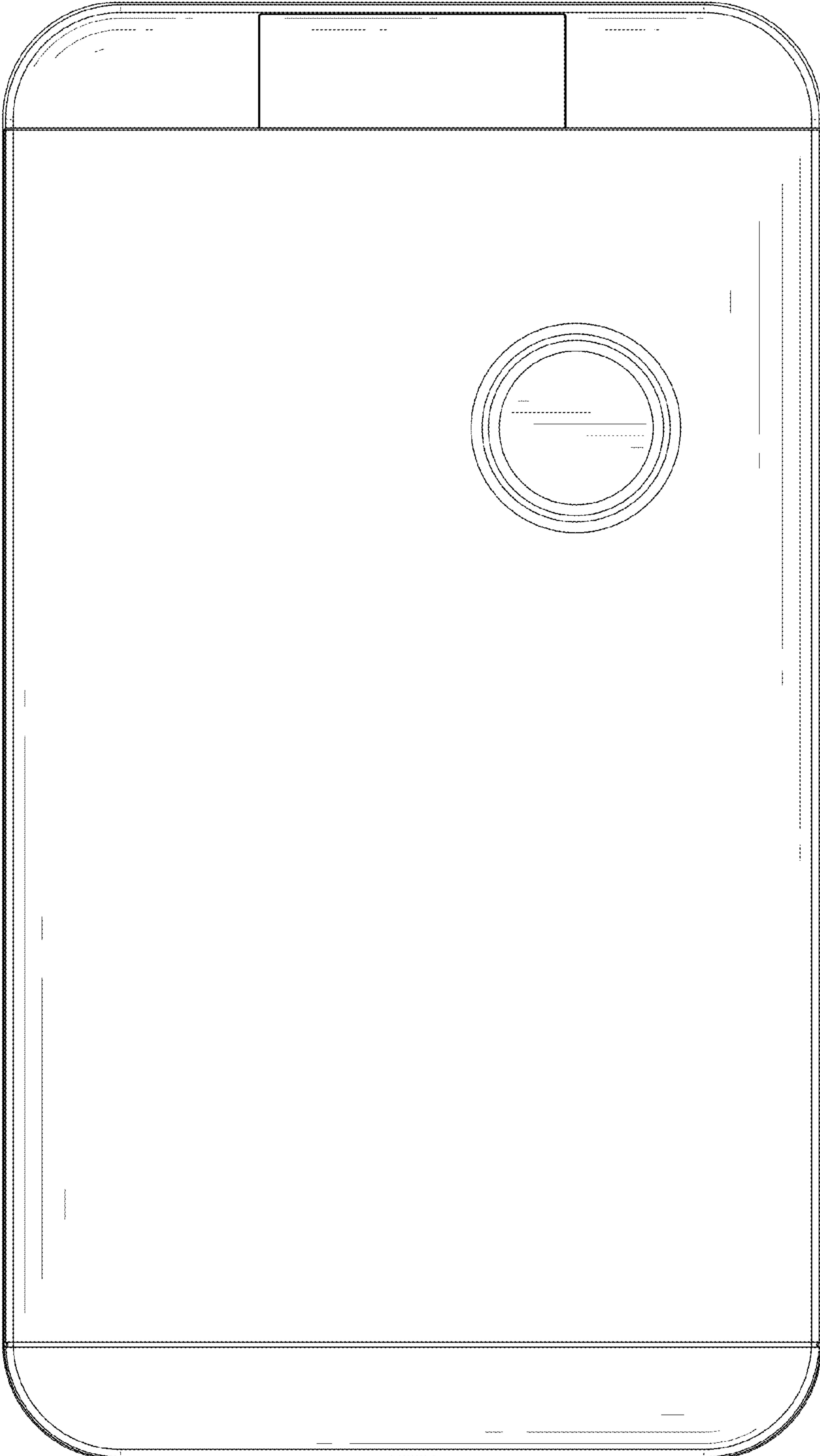


FIG. 7

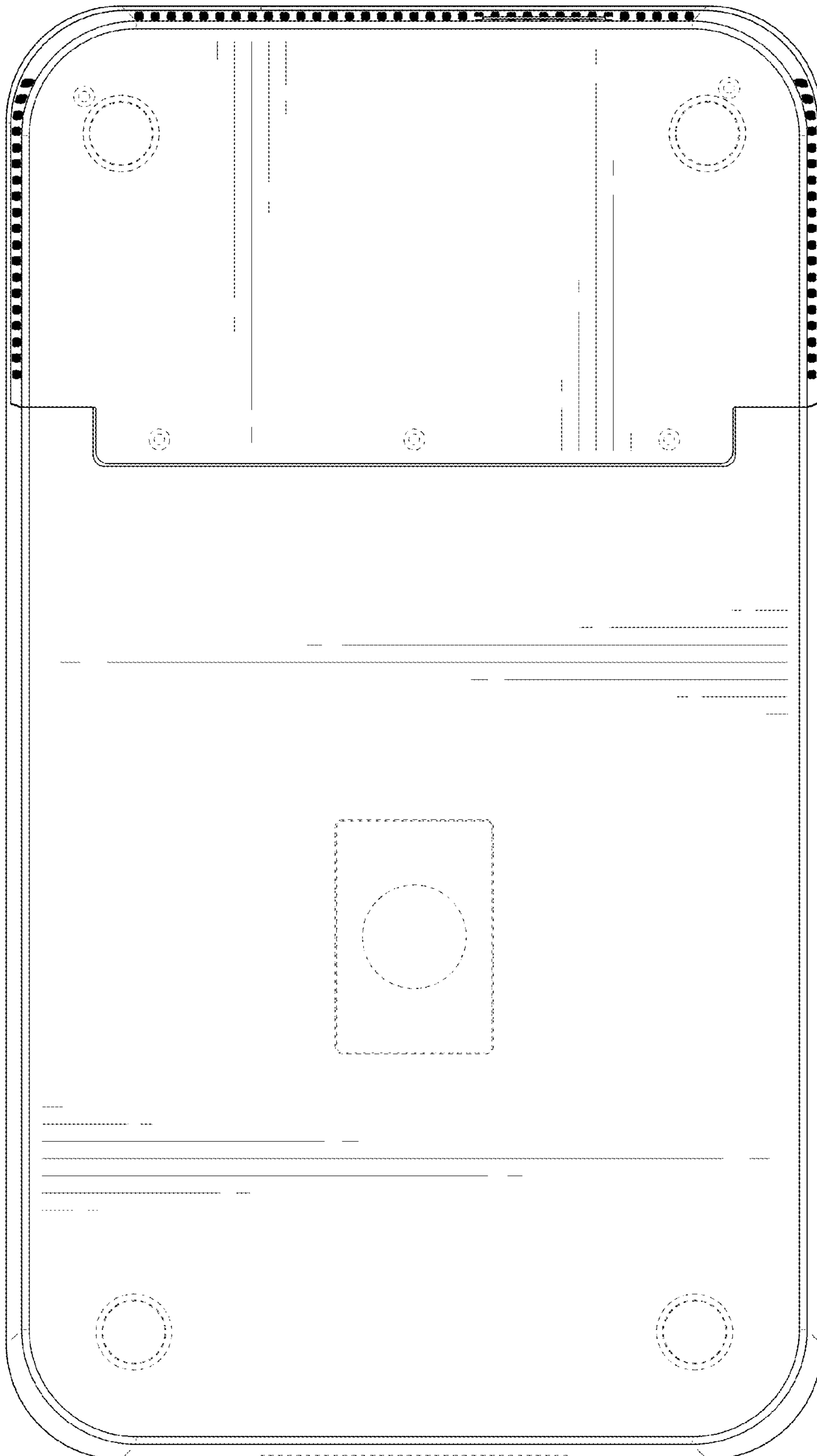


FIG. 8

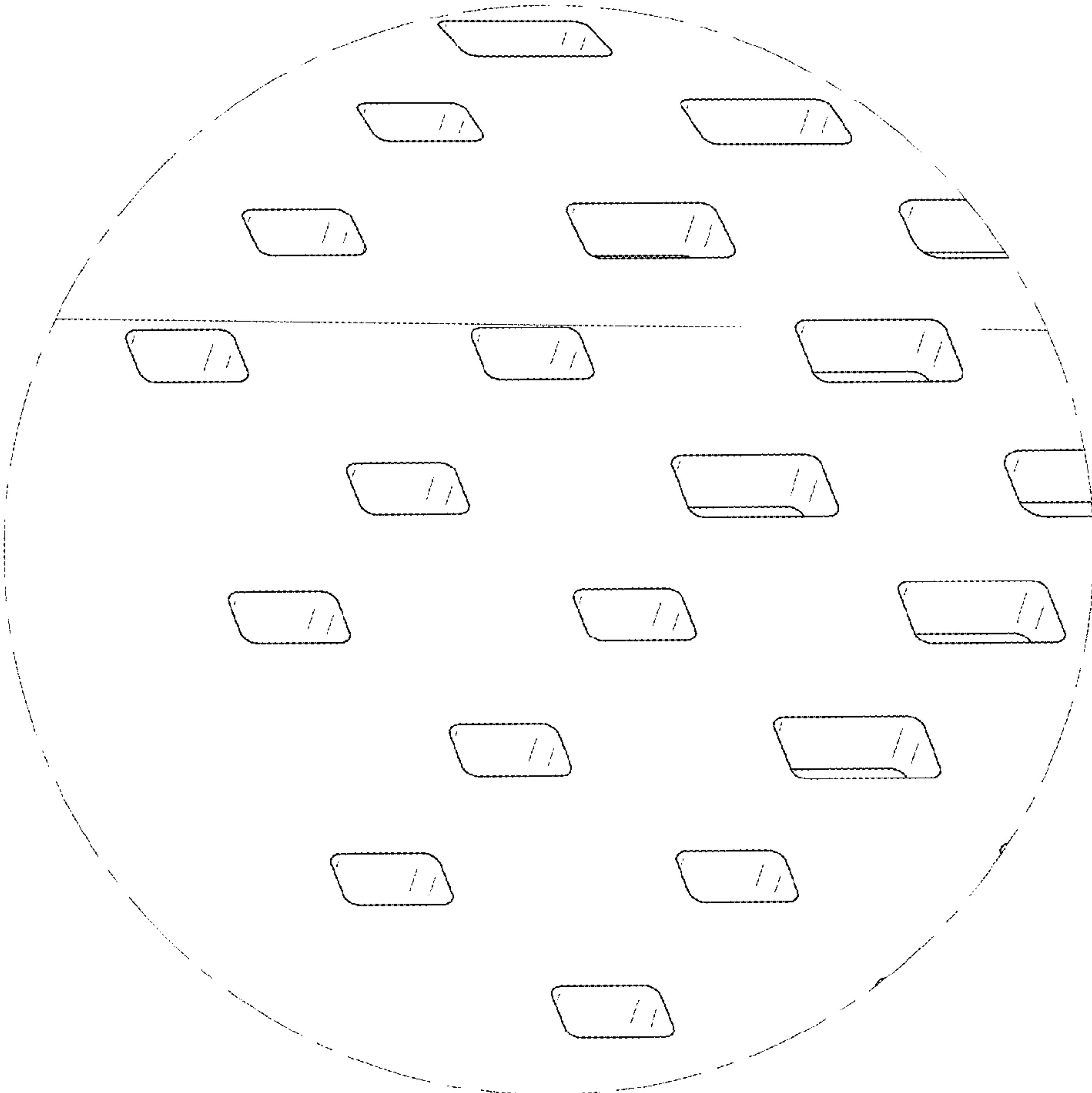


FIG. 9