



US00D952696S

(12) **United States Design Patent**
Currey

(10) **Patent No.:** **US D952,696 S**
(45) **Date of Patent:** **** May 24, 2022**

(54) **BUCKET**

(71) Applicant: **Albert Ben Currey**, Phoenix, AZ (US)

(72) Inventor: **Albert Ben Currey**, Phoenix, AZ (US)

(**) Term: **15 Years**

(21) Appl. No.: **29/822,873**

(22) Filed: **Jan. 12, 2022**

Related U.S. Application Data

(60) Division of application No. 29/747,913, filed on Aug. 26, 2020, now Pat. No. Des. 943,009, which is a continuation of application No. 16/675,853, filed on Nov. 6, 2019, now abandoned.

(51) **LOC (13) Cl.** **15-04**

(52) **U.S. Cl.**
USPC **D15/28; D15/32**

(58) **Field of Classification Search**
USPC D15/21, 25, 28, 29, 32, 33
CPC B07B 1/00; B07B 1/28; E02F 7/00; E02F 7/06; E02F 5/226

See application file for complete search history.

(56) **References Cited**

U.S. PATENT DOCUMENTS

3,765,490	A	10/1973	Logue	
3,834,534	A	9/1974	Peterson	
4,157,956	A	6/1979	Robinson	
D332,271	S	1/1993	DuBose	
5,240,366	A	8/1993	Bamford	
5,398,430	A	3/1995	Scott	
D357,260	S *	4/1995	Kallen D15/32
5,493,796	A	2/1996	Ballew et al.	
5,531,561	A	7/1996	Rae	
5,771,612	A	6/1998	Lynch	
5,984,618	A *	11/1999	Deneve E02F 3/3408 414/706
D425,527	S *	5/2000	Deyo D15/32

D437,602	S	2/2001	Hiraoka	
6,364,119	B1	4/2002	Graham	
6,375,012	B1	4/2002	Leyland et al.	
6,408,551	B1	6/2002	Pettersson	
D460,975	S	7/2002	Yanagida	
6,725,942	B2	4/2004	Stevens	
6,834,447	B1	12/2004	Currey	
7,066,275	B1	6/2006	Keigley	
D534,552	S	1/2007	Yanagida	
7,204,046	B2	4/2007	Currey	
7,445,122	B2	11/2008	Currey	
7,549,544	B1	6/2009	Currey	
7,591,379	B2	9/2009	Turnbull	
D616,469	S	5/2010	Ballinger	
D623,671	S *	9/2010	Bolyard D15/32

(Continued)

Primary Examiner — Mark A Goodwin

(74) *Attorney, Agent, or Firm* — Schmeiser, Olsen & Watts, LLP

(57) **CLAIM**

An ornamental design for a bucket, as shown and described.

DESCRIPTION

FIG. 1 is a top perspective view of the bucket with a portion of the bucket in broken lines, in accordance with an embodiment;

FIG. 2 is a bottom view of the bucket of FIG. 1;

FIG. 3 is a right side view of the bucket of FIG. 1;

FIG. 4 is a left side view of the bucket of FIG. 1;

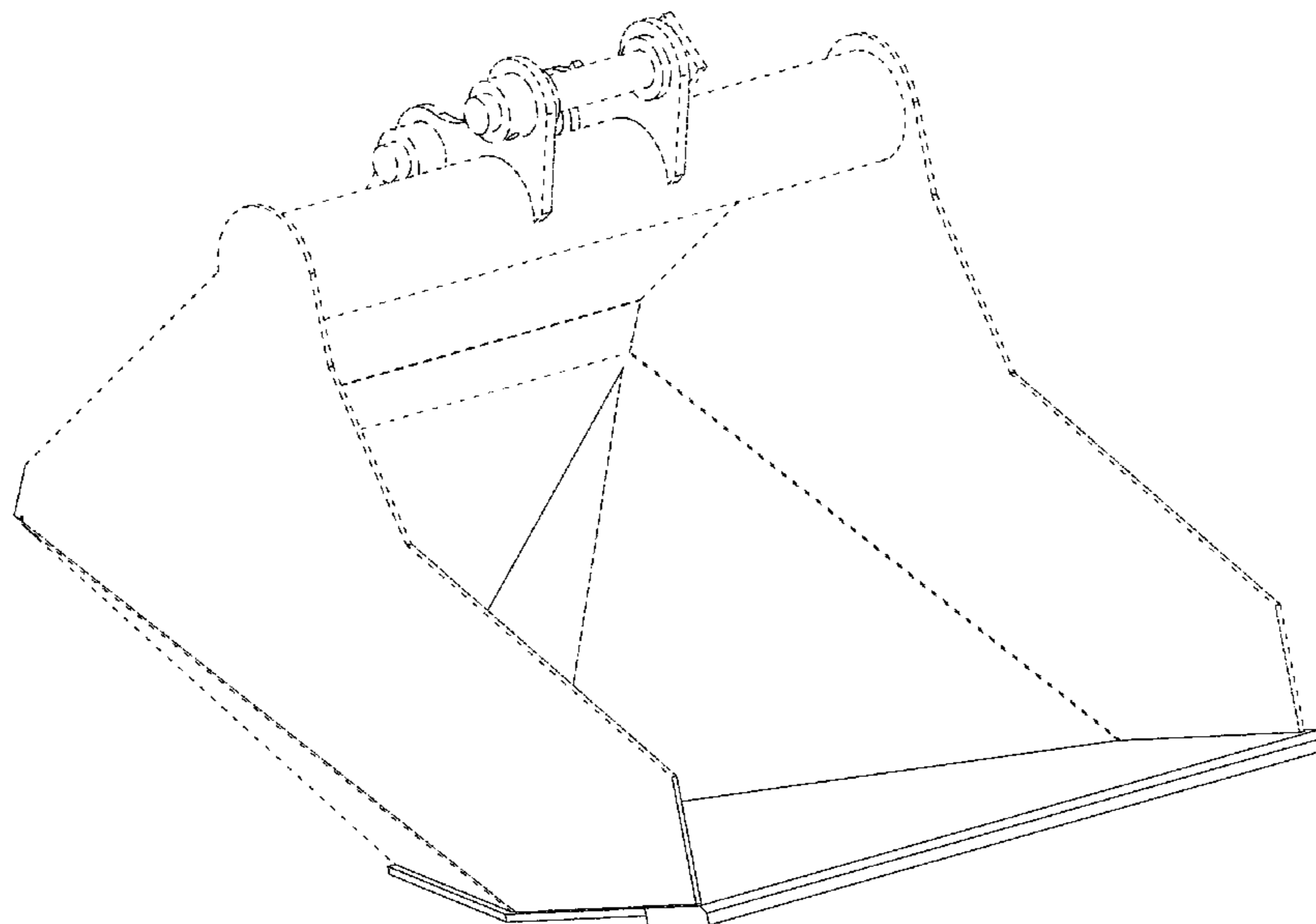
FIG. 5 is a front view of the bucket of FIG. 1;

FIG. 6 is a rear view of the bucket of FIG. 1; and,

FIG. 7 is a front view of the bucket of FIG. 1 showing the bottom surface of the bucket as a flat surface.

In the drawings, thin and/or broken lines illustrate contours and/or component interfaces which form no part of the claimed design.

1 Claim, 7 Drawing Sheets



(56)

References Cited

U.S. PATENT DOCUMENTS

8,069,591 B2 * 12/2011 Dunn E02F 3/401
37/406
8,360,249 B1 1/2013 Currey
8,893,409 B1 11/2014 Rossi, Jr.
9,080,314 B1 7/2015 Rossi, Jr.
D748,157 S 1/2016 Phillips
D752,655 S * 3/2016 Morinaga D15/28
9,546,467 B2 1/2017 Paski
9,631,340 B2 4/2017 Zimmerman
D788,181 S 5/2017 Deleon
9,644,342 B1 5/2017 Meyers
D840,439 S 2/2019 Schlessner
D881,239 S * 4/2020 Gregory D15/32
D943,009 S * 2/2022 Currey D15/28
2004/0040724 A1 3/2004 Stevens
2016/0177537 A1 * 6/2016 Kreil E02F 3/96
37/444
2020/0199846 A1 6/2020 Dunstan

* cited by examiner

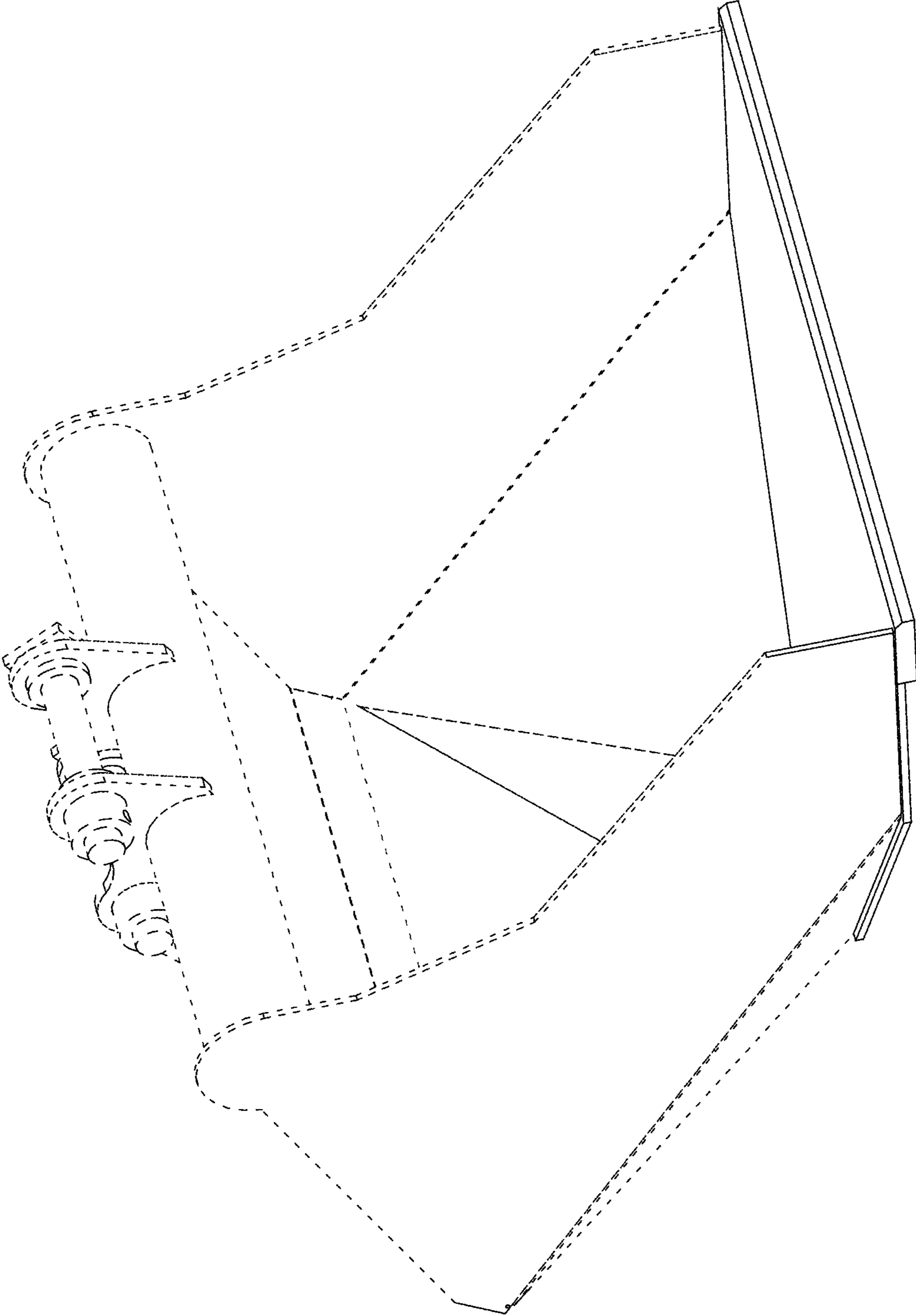


FIG. 1

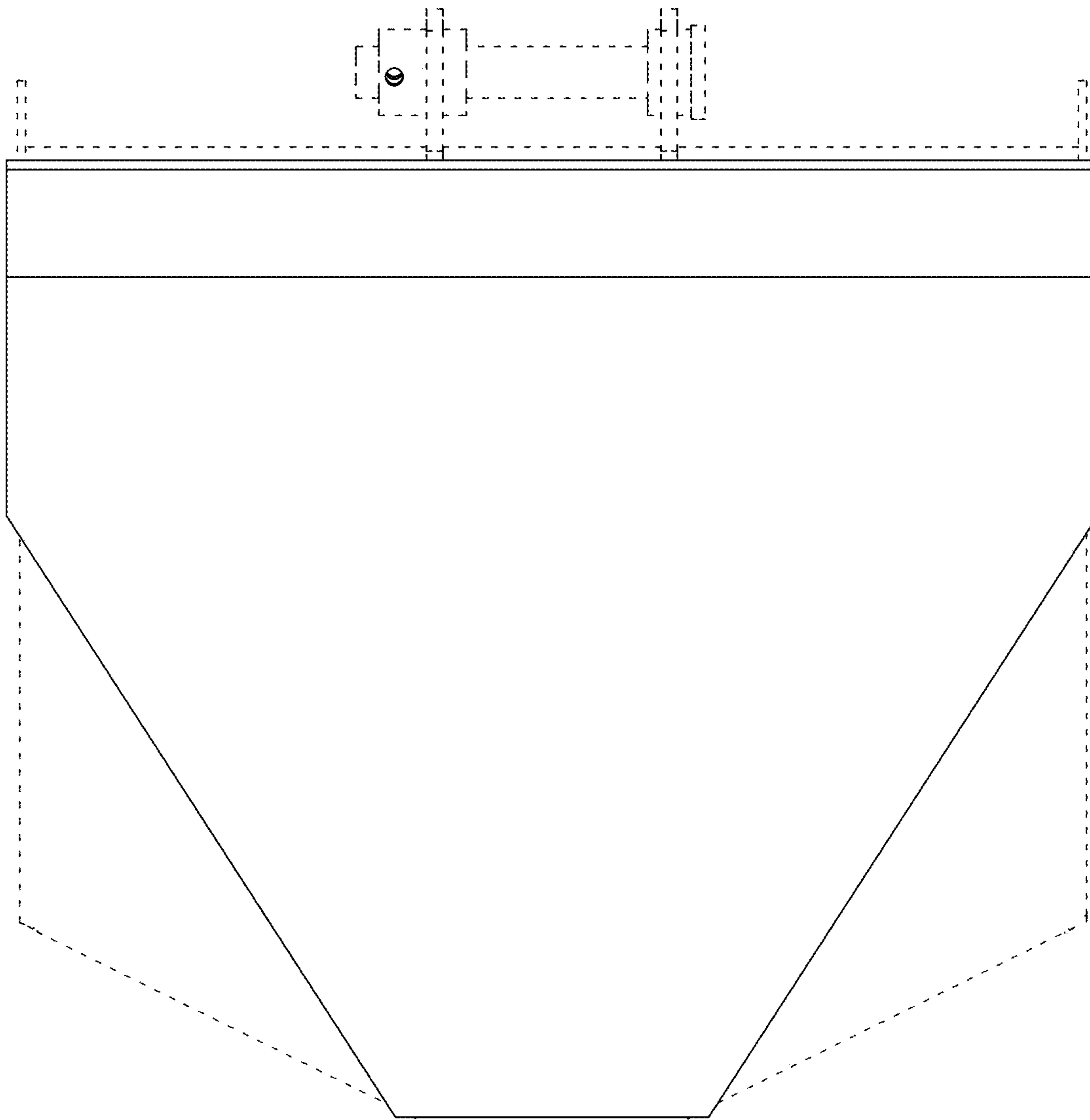


FIG. 2

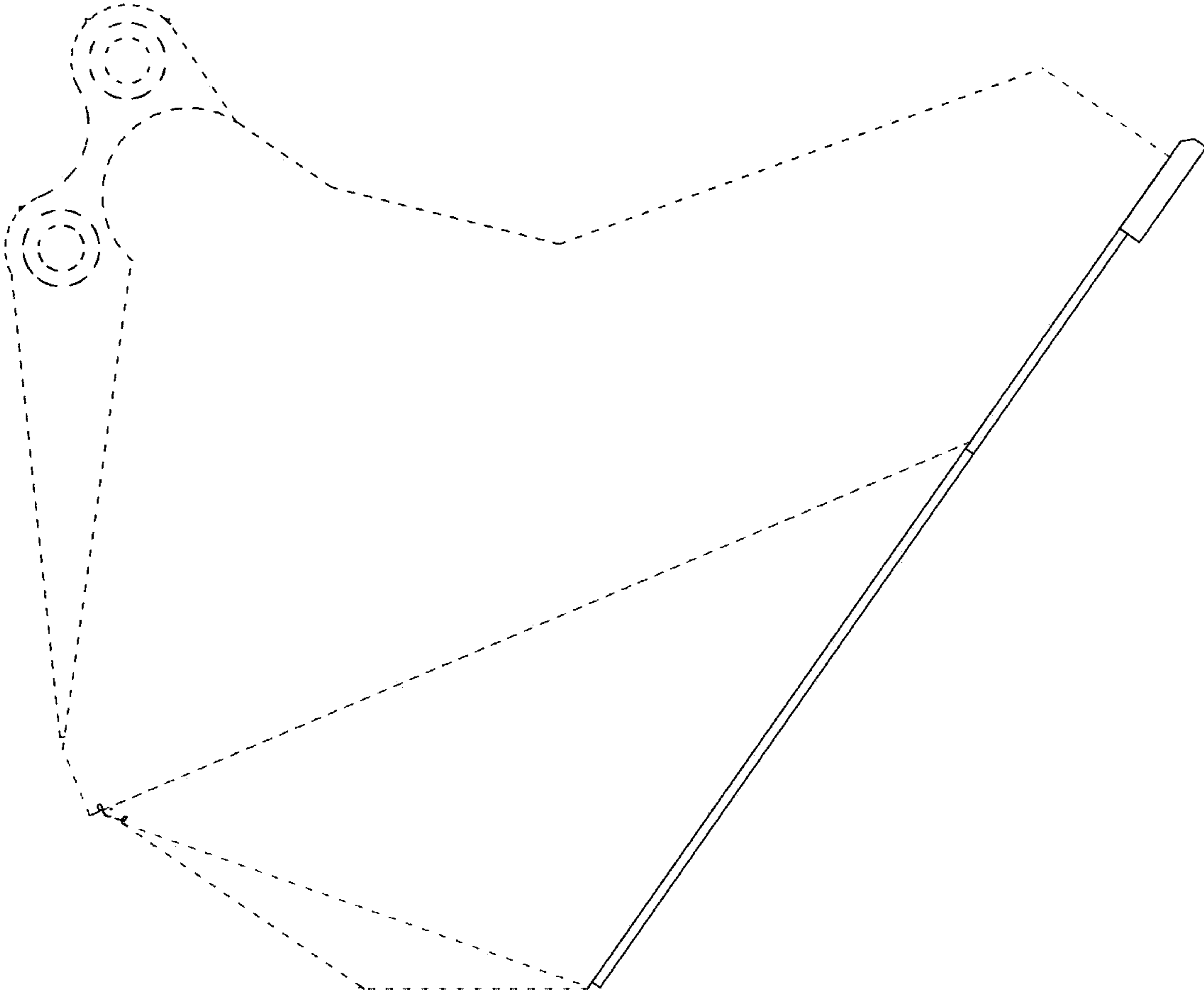


FIG. 3

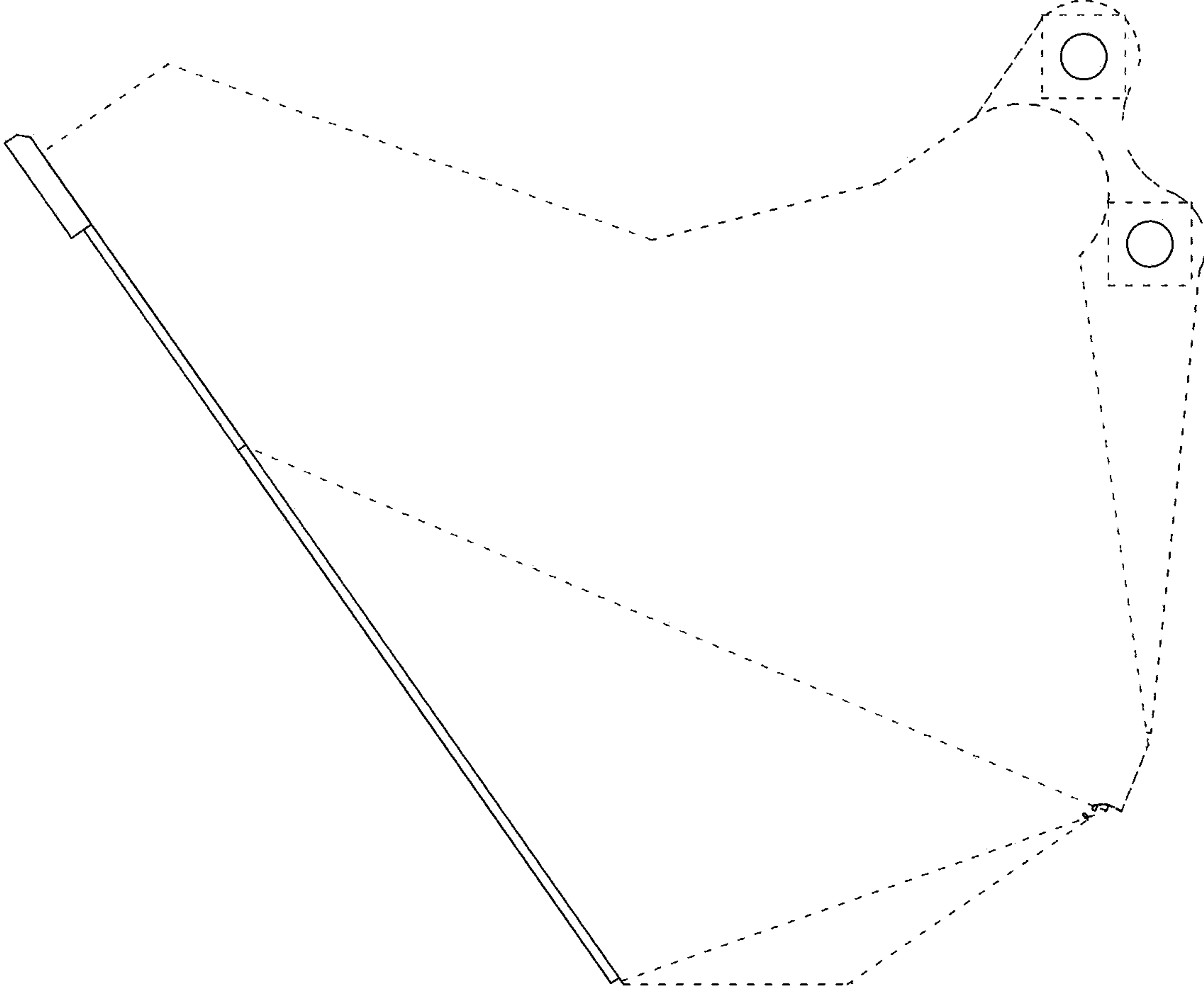


FIG. 4

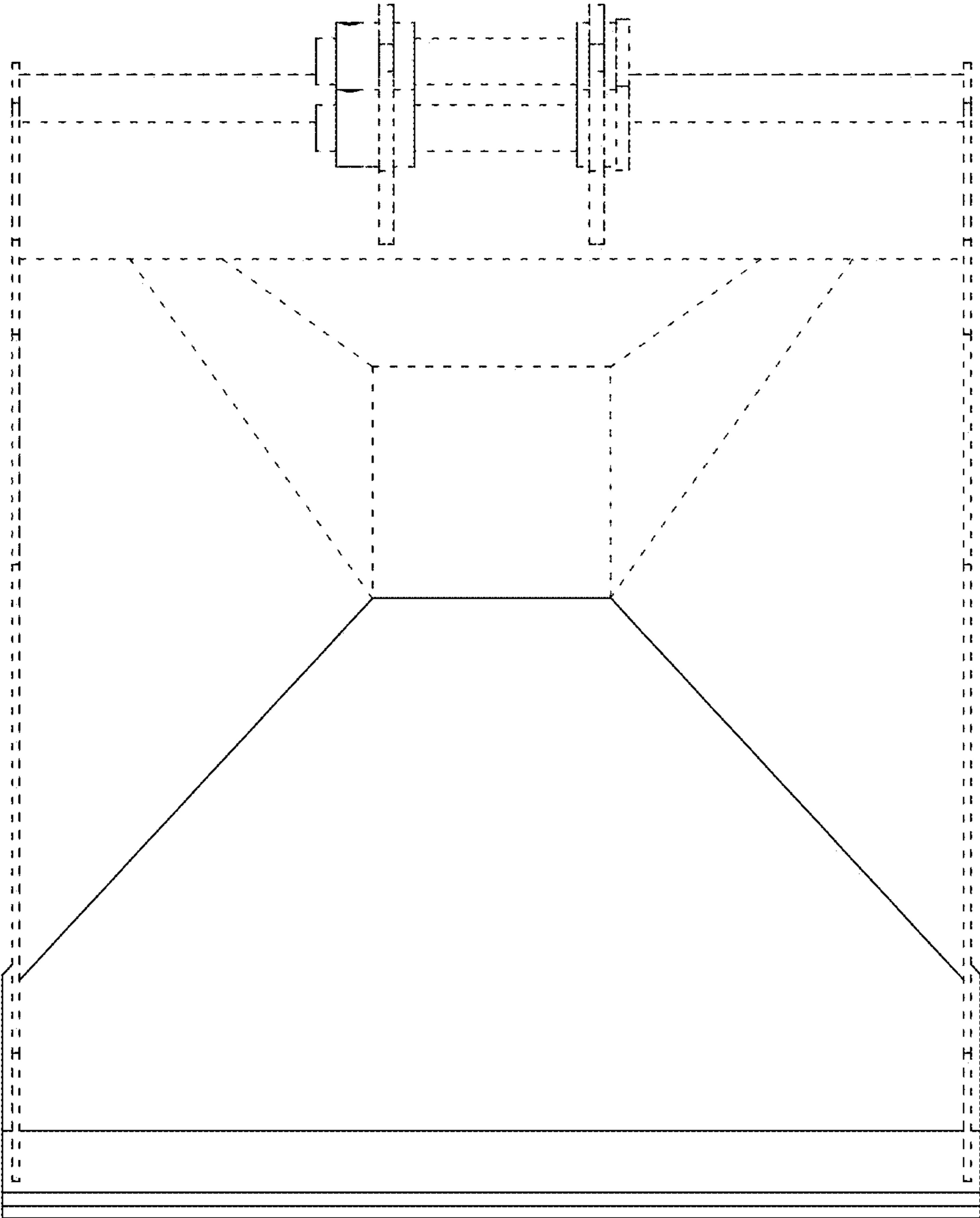


FIG. 5

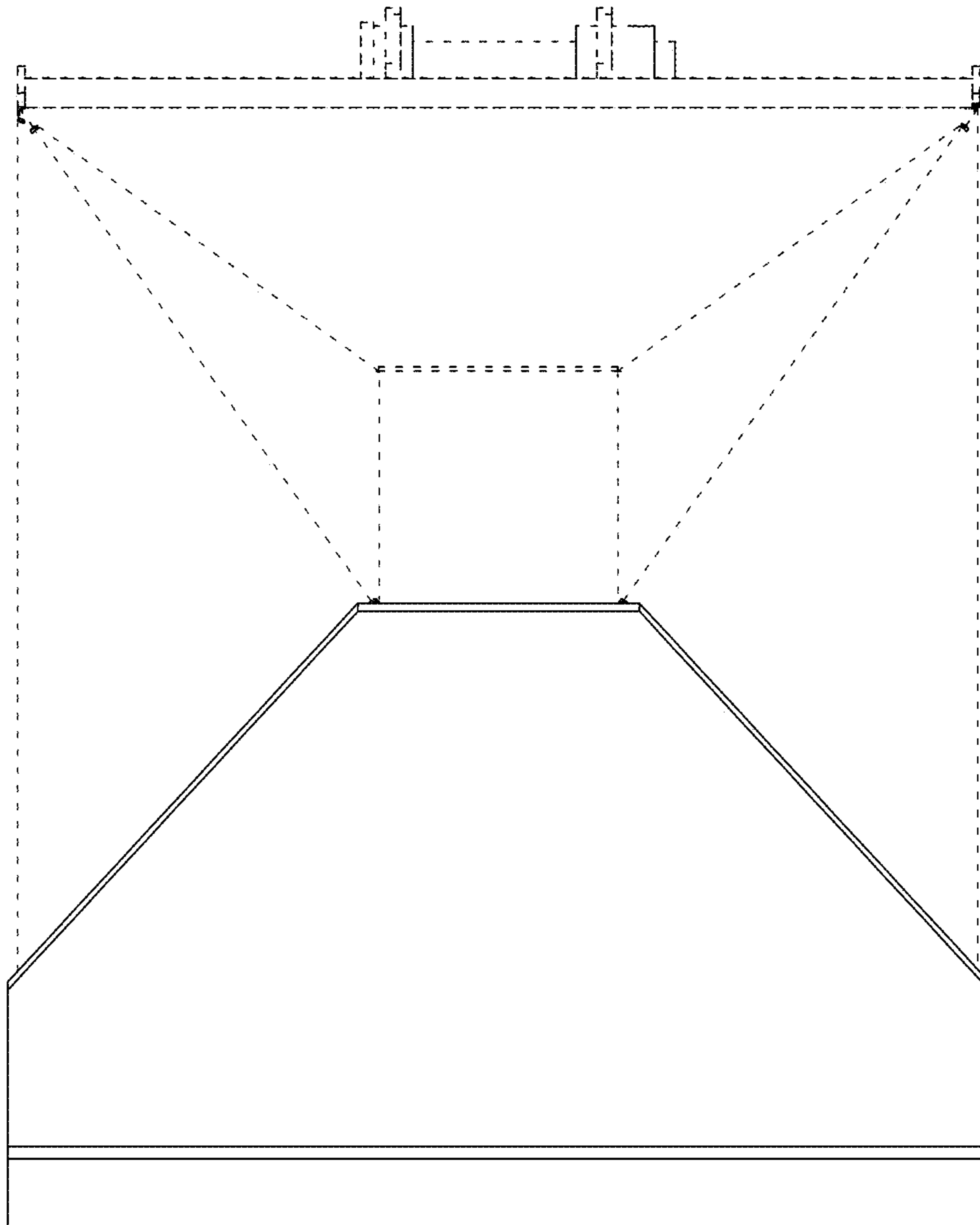


FIG. 6

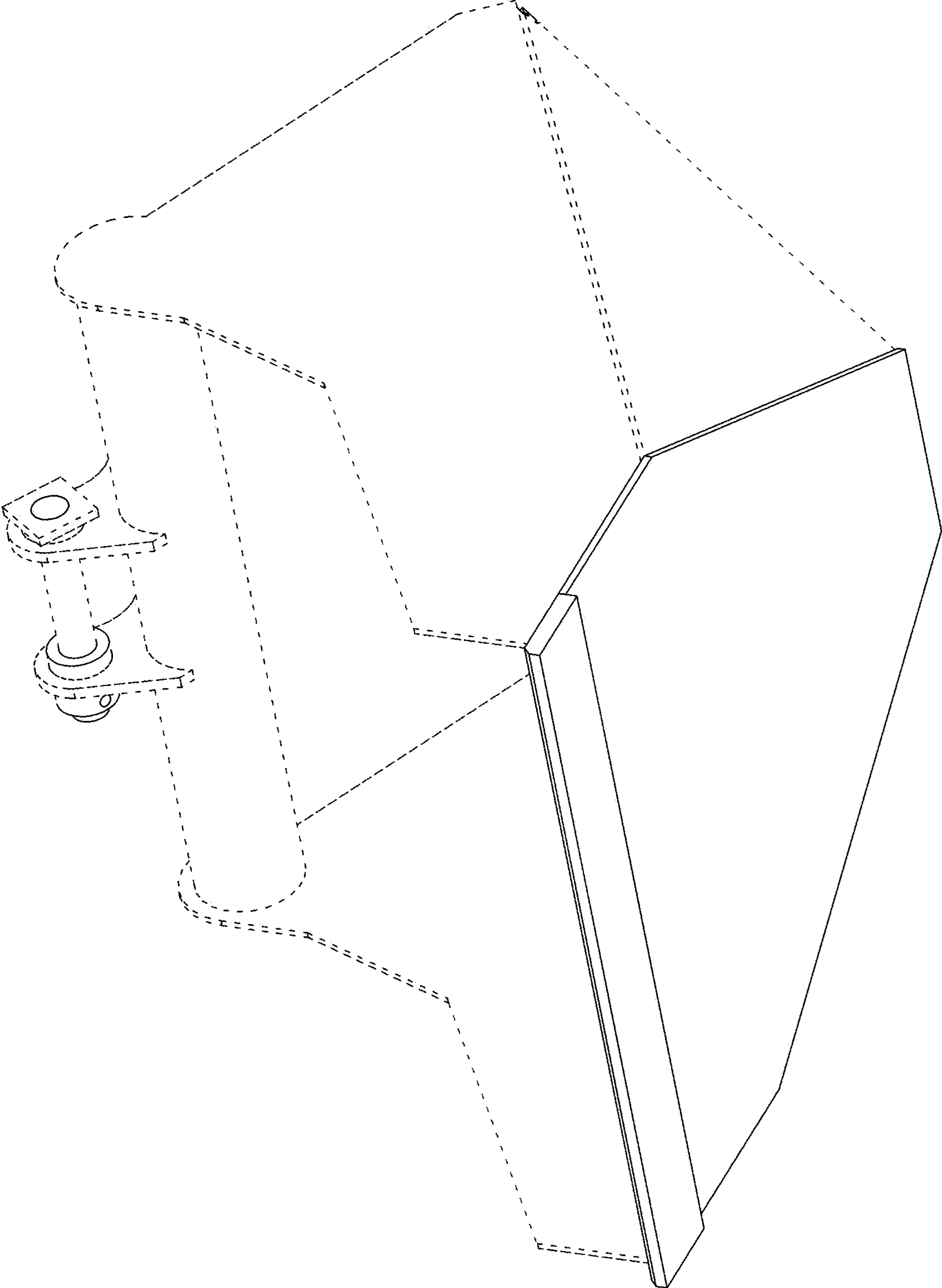


FIG. 7