



US00D952695S

(12) **United States Design Patent**  
**Bellamy**

(10) **Patent No.:** **US D952,695 S**

(45) **Date of Patent:** **\*\* May 24, 2022**

(54) **CORE TRAY**  
(71) Applicant: **AutoRun Technologies Pty Ltd,**  
Malaga (AU)  
(72) Inventor: **Drew Bellamy,** Malaga (AU)

4,971,275 A \* 11/1990 Roberts ..... B63C 11/02  
248/152  
D424,941 S \* 5/2000 Boutour ..... D9/456  
D671,146 S \* 11/2012 Kathmann ..... D15/21  
11,192,686 B2 \* 12/2021 Ramos ..... B65D 25/04  
2009/0080705 A1 \* 3/2009 Orpen ..... G01N 33/24  
382/109

(\*\*) Term: **15 Years**

(Continued)

(21) Appl. No.: **29/760,529**

*Primary Examiner* — Mark A Goodwin  
(74) *Attorney, Agent, or Firm* — Patshegen IP LLC;  
Moshe Pinchas

(22) Filed: **Dec. 2, 2020**

(30) **Foreign Application Priority Data**

Aug. 6, 2020 (AU) ..... 202014302

(51) **LOC (13) Cl.** ..... **15-03**

(52) **U.S. Cl.**  
USPC ..... **D15/21**

(58) **Field of Classification Search**  
USPC ..... D15/21; D9/456; 206/443, 561  
CPC ..... E21B 25/005; E21B 27/00; E21B 11/04;  
E21B 31/00; E21B 31/08; B65D 1/36;  
B65D 1/34; B65D 85/20  
See application file for complete search history.

(56) **References Cited**

U.S. PATENT DOCUMENTS

3,196,229 A \* 7/1965 Glass ..... E21B 25/005  
206/443  
3,467,247 A \* 9/1969 Weiss ..... B65D 1/36  
206/561  
3,581,929 A \* 6/1971 Guenard ..... B65D 21/083  
220/555  
3,782,582 A \* 1/1974 Lybbert ..... B65D 1/36  
220/23.6  
3,786,932 A \* 1/1974 Smith ..... E21B 25/005  
211/70.1  
4,874,091 A \* 10/1989 McEwen ..... B65D 85/24  
206/443  
4,927,022 A \* 5/1990 Wilson ..... B65D 85/20  
206/443

(57) **CLAIM**

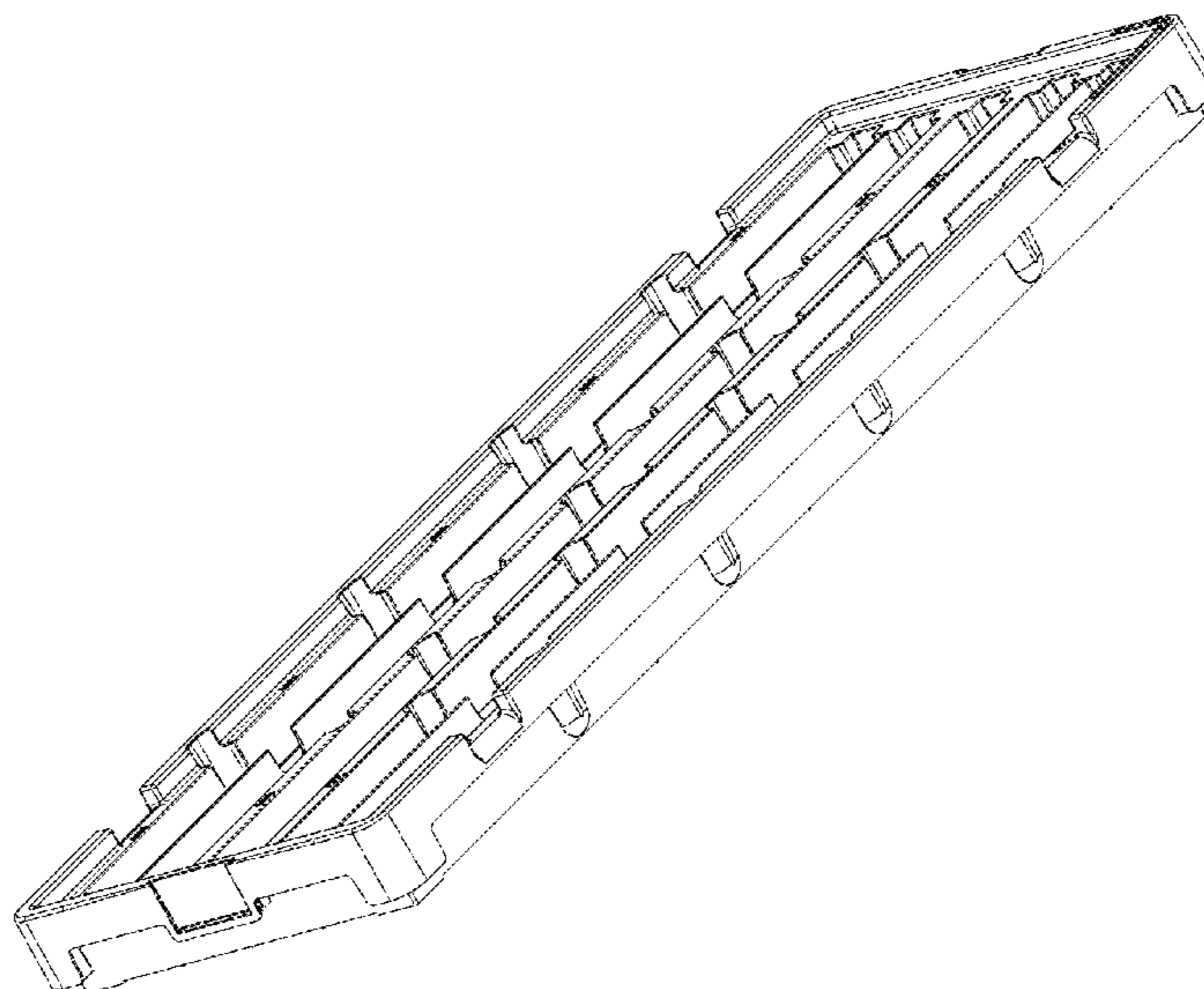
The ornamental design for a core tray, as shown and described.

**DESCRIPTION**

FIG. 1 is a front perspective view of the core tray showing the new design;  
FIG. 2 is a top perspective view thereof;  
FIG. 3 is a bottom perspective view thereof;  
FIG. 4 is a top plan view thereof;  
FIG. 5 is a bottom plan view thereof;  
FIG. 6 is a right side view thereof;  
FIG. 7 is a front end view thereof;  
FIG. 8 is a sectional end view seen along arrows VIII-VIII in FIG. 4;  
FIG. 9 is a sectional end view seen along arrows IX-IX in FIG. 4; and,  
FIG. 10 is an enlarged view of the area indicated by arrow X in FIG. 9.  
It is noted that the left side of the core tray is a mirror image of the right side shown in FIG. 6, and the back end of the core tray is a mirror image of the front end shown in FIG. 7.

The broken line showing in FIGS. 4, 9, and 10 is included for the purpose of illustrating the plane of the sectional views and enlarged areas and forms no part of the claimed design.

**1 Claim, 8 Drawing Sheets**



(56)

**References Cited**

U.S. PATENT DOCUMENTS

2010/0018886 A1\* 1/2010 Wilson ..... E21B 25/005  
206/443  
2016/0059987 A1\* 3/2016 Keast ..... B65D 1/36  
206/562  
2019/0169949 A1\* 6/2019 De Barros Ramos .. E21B 25/00  
2020/0265761 A1\* 8/2020 Dormer ..... G09G 3/04  
2020/0283196 A1\* 9/2020 Ramos ..... B65D 11/1833

\* cited by examiner

Figure 1

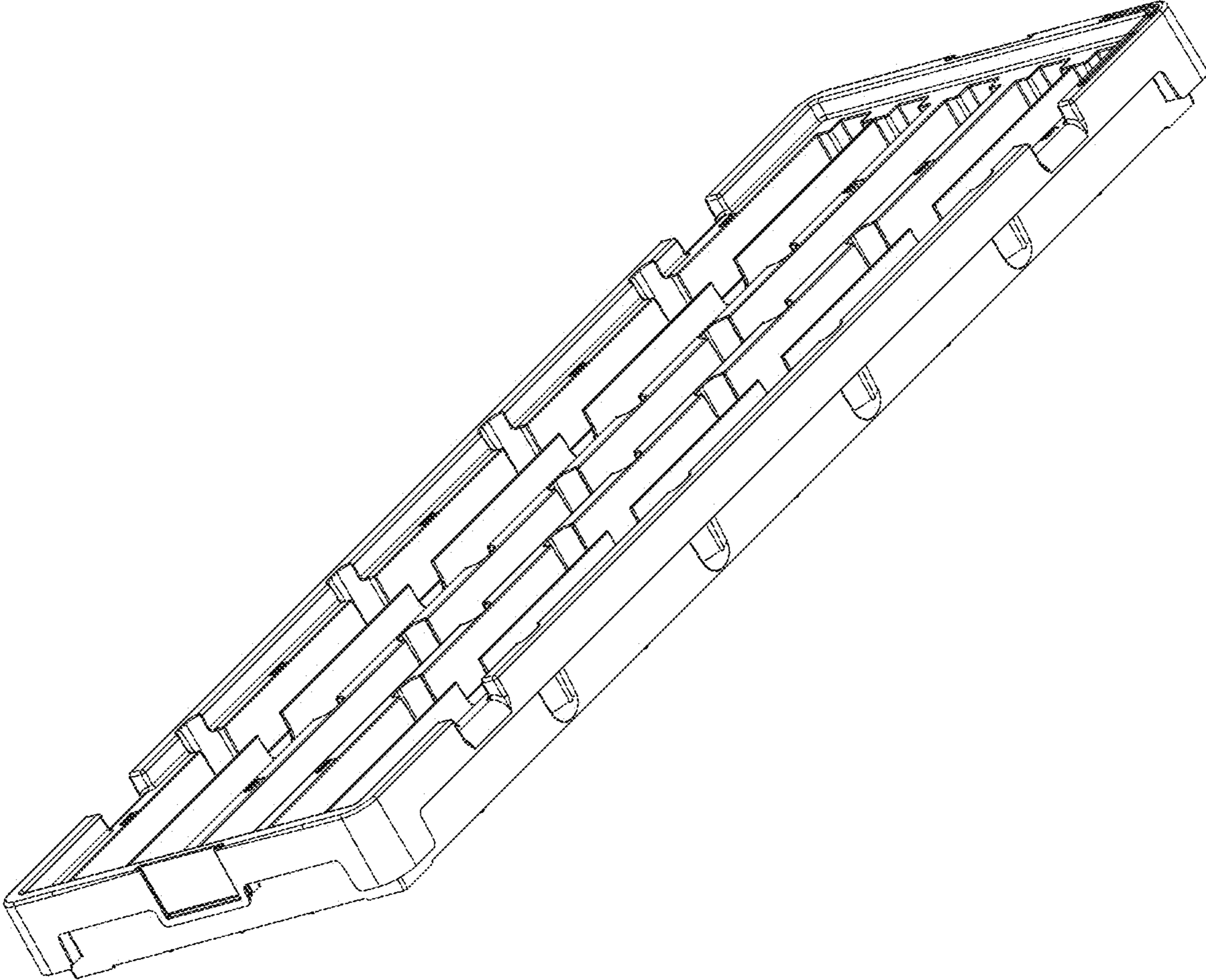




Figure 2

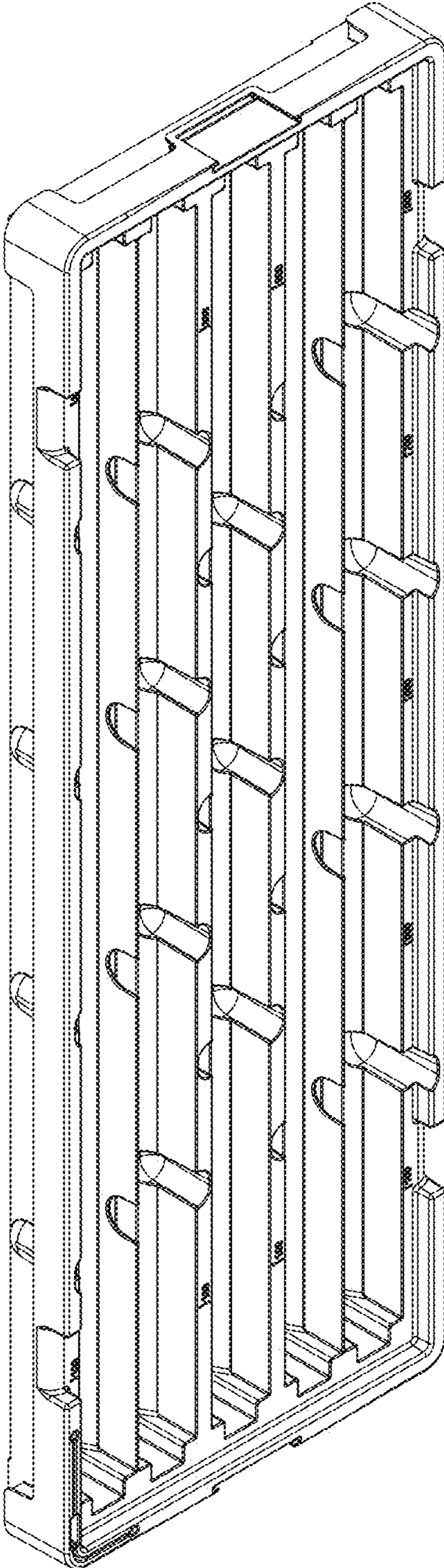


Figure 3

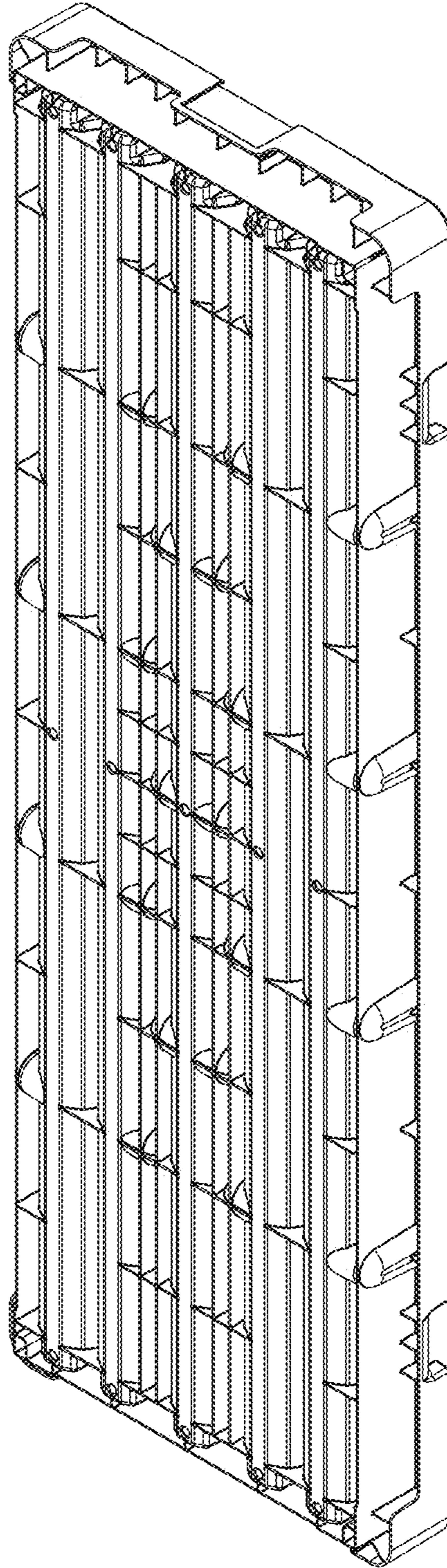




Figure 4

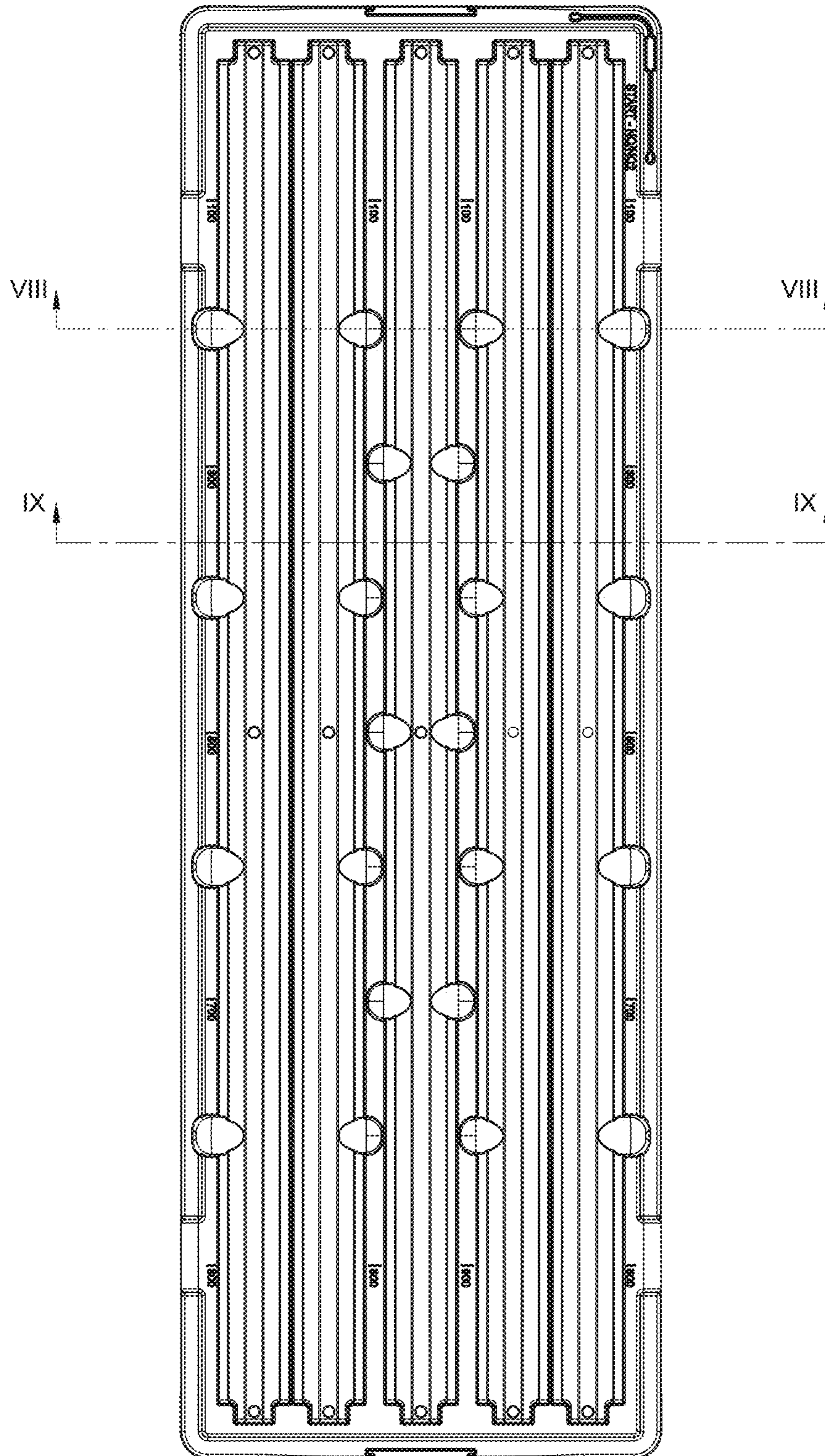




Figure 5

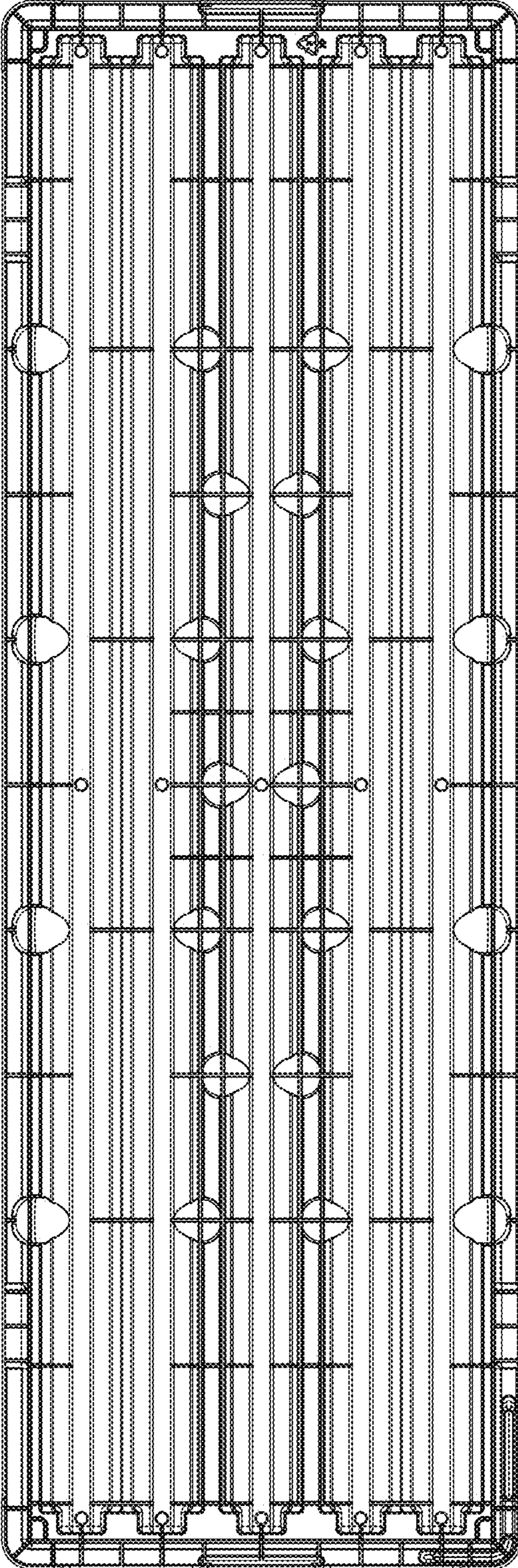


Figure 6

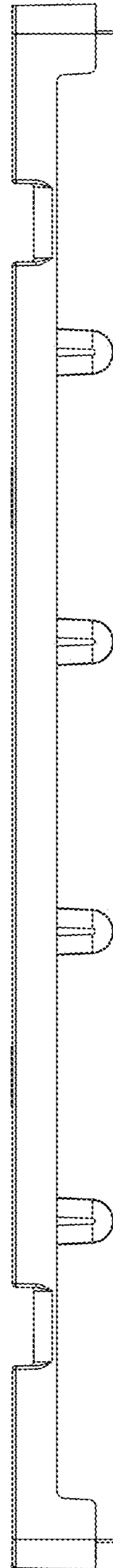




Figure 7

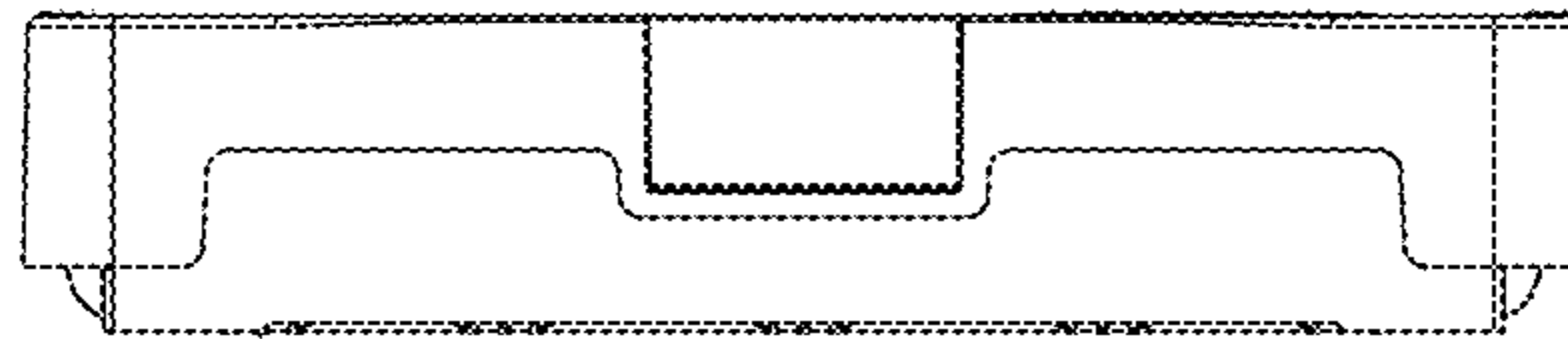


Figure 8

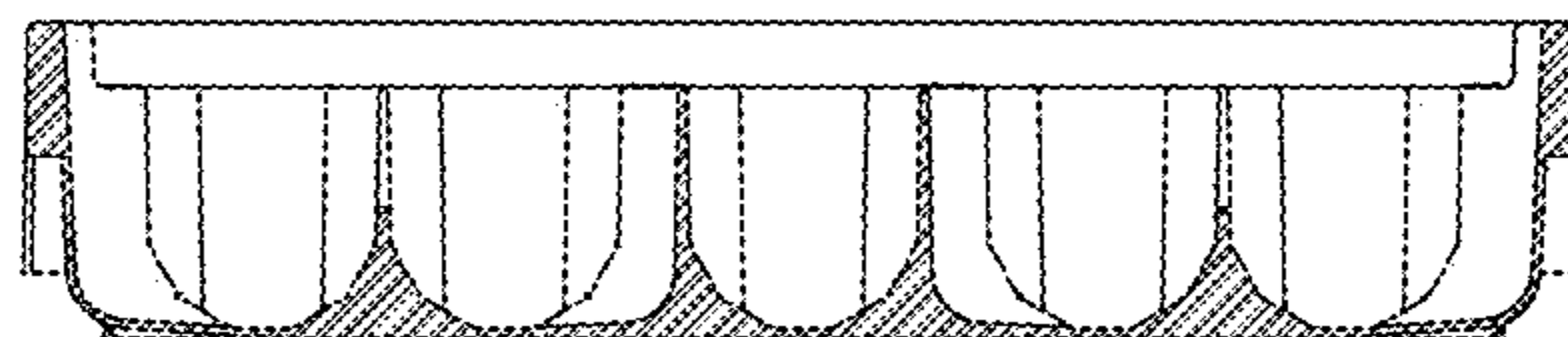


Figure 9

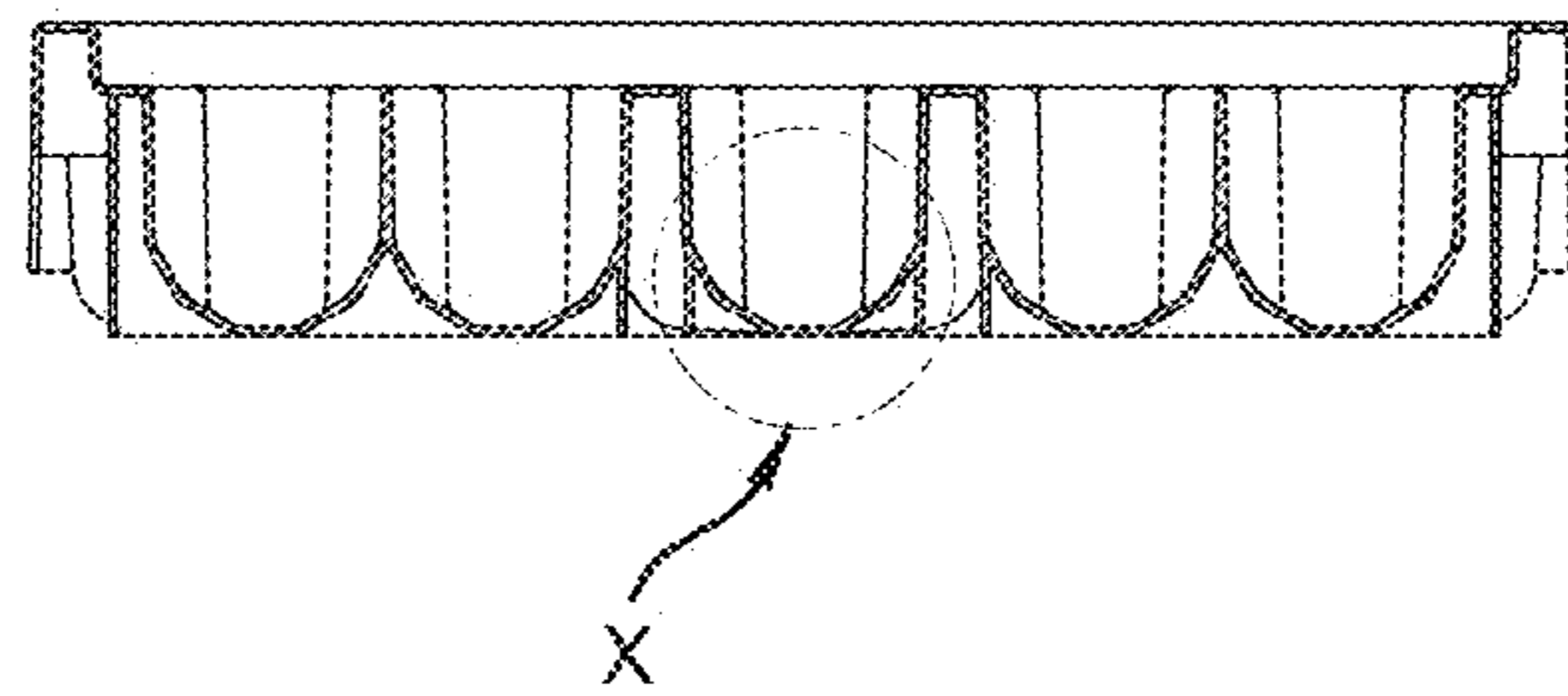


Figure 10

