



US00D952694S

(12) **United States Design Patent** (10) **Patent No.:** **US D952,694 S**
Cam et al. (45) **Date of Patent:** **** May 24, 2022**

(54) **VESSEL FOR ELECTROCHEMICAL TREATMENT**

(71) Applicant: **Hydrus Technology Pty. Ltd.**, Brisbane (AU)

(72) Inventors: **David Victor Cam**, Brisbane (AU);
John Frederick Ellers, Brisbane (AU);
Brook Douglas Hill, Brisbane (AU)

(73) Assignee: **HYDRUS TECHNOLOGY PTY. LTD.**, Brisbane (AU)

(**) Term: **15 Years**

(21) Appl. No.: **29/685,489**

(22) Filed: **Mar. 28, 2019**

Related U.S. Application Data

(62) Division of application No. 29/564,171, filed on May 11, 2016, now Pat. No. Des. 857,754.

(30) **Foreign Application Priority Data**

Nov. 11, 2015 (AU) 201516029

(51) **LOC (13) Cl.** **15-03**

(52) **U.S. Cl.**
USPC **D15/21**

(58) **Field of Classification Search**

USPC D15/10, 21; D23/202
CPC C02F 1/463; C02F 1/46109; C02F 1/24;
C02F 2001/46152; C02F 2001/4611;
C02F 2001/4605; C02F 2001/4614; C02F
2001/4619; Y02W 10/37

See application file for complete search history.

(56) **References Cited**

U.S. PATENT DOCUMENTS

D263,737 S 4/1982 Acero
D266,108 S 9/1982 Acero

D447,535 S 9/2001 Oakley
7,758,742 B2 7/2010 Powell
D654,556 S 2/2012 McIntosh
8,133,382 B2 3/2012 Powell
D737,872 S 9/2015 Johansson
D812,542 S 3/2018 LaPant
D819,778 S 6/2018 Polacek et al.
D857,754 S * 8/2019 Cam D15/21
2005/0274606 A1 12/2005 Powell
(Continued)

Primary Examiner — Mark A Goodwin

(74) *Attorney, Agent, or Firm* — DeLio Peterson & Curcio LLC; Peter W. Peterson

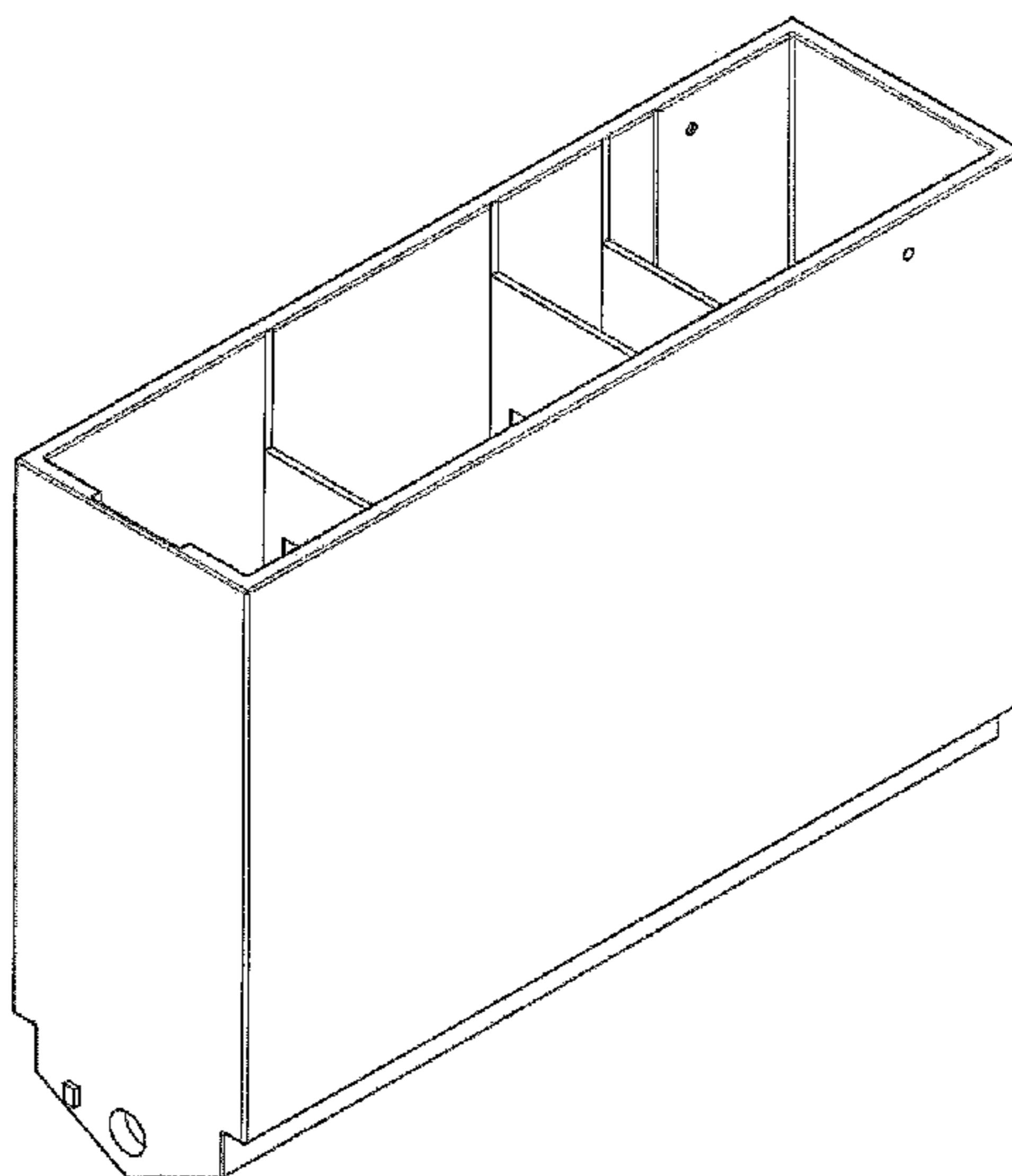
(57) **CLAIM**

We claim the ornamental design for a “vessel for electrochemical treatment”, as shown and described.

DESCRIPTION

FIG. 1 is a top right perspective view of a vessel for electrochemical treatment showing our new design;
FIG. 2 is a top view thereof;
FIG. 3 is a bottom view thereof;
FIG. 4 is a second top right perspective view thereof;
FIG. 5 is a right side view thereof;
FIG. 6 is a right cross sectional view thereof;
FIG. 7 is a left side view thereof;
FIG. 8 is a left cross sectional view thereof;
FIG. 9 is a front view thereof;
FIG. 10 is a front right perspective cross sectional view thereof;
FIG. 11 is a front left perspective cross sectional view thereof;
FIG. 12 is a bottom right perspective view thereof;
FIG. 13 is a bottom left perspective view thereof;
FIG. 14 is a back view thereof; and,
FIG. 15 is a back right perspective cross sectional view thereof.

1 Claim, 14 Drawing Sheets



(56)

References Cited

U.S. PATENT DOCUMENTS

2010/0252447 A1 10/2010 Powell
2016/0318785 A1 11/2016 Enslow
2018/0009681 A1 1/2018 Cam et al.

* cited by examiner

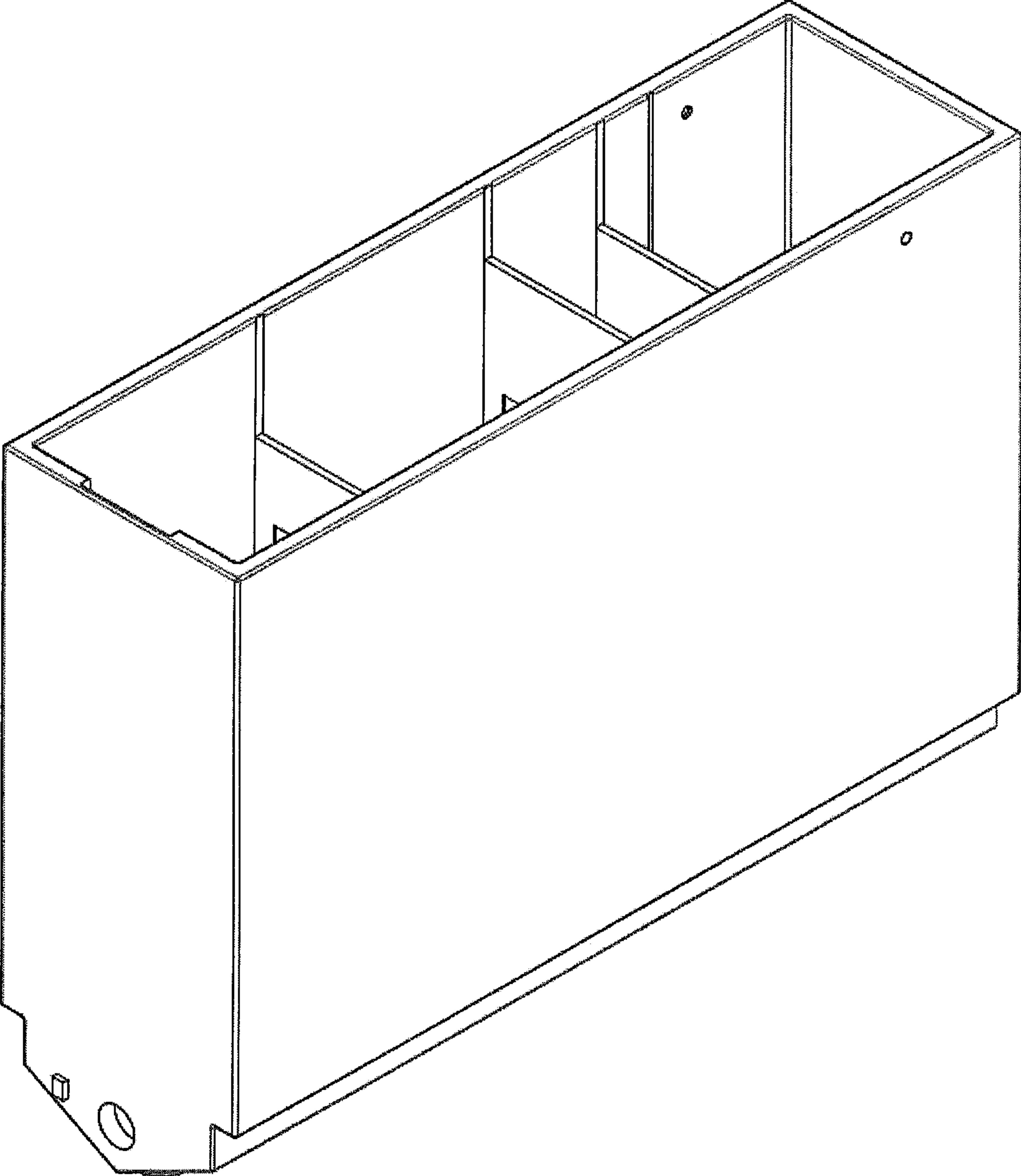


FIGURE 1

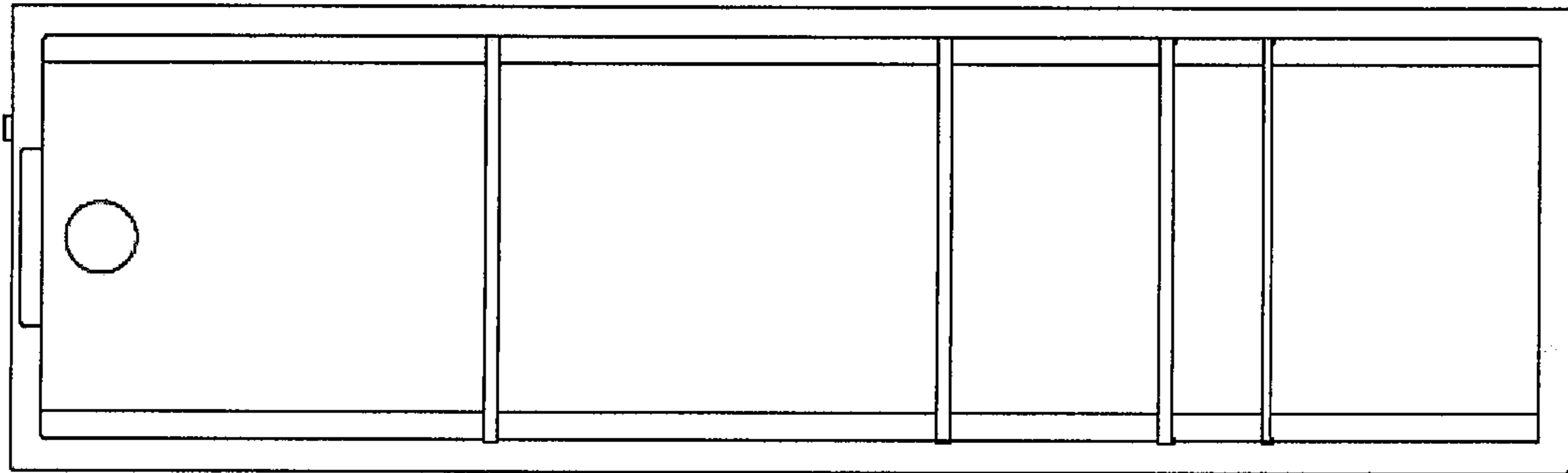


FIGURE 2

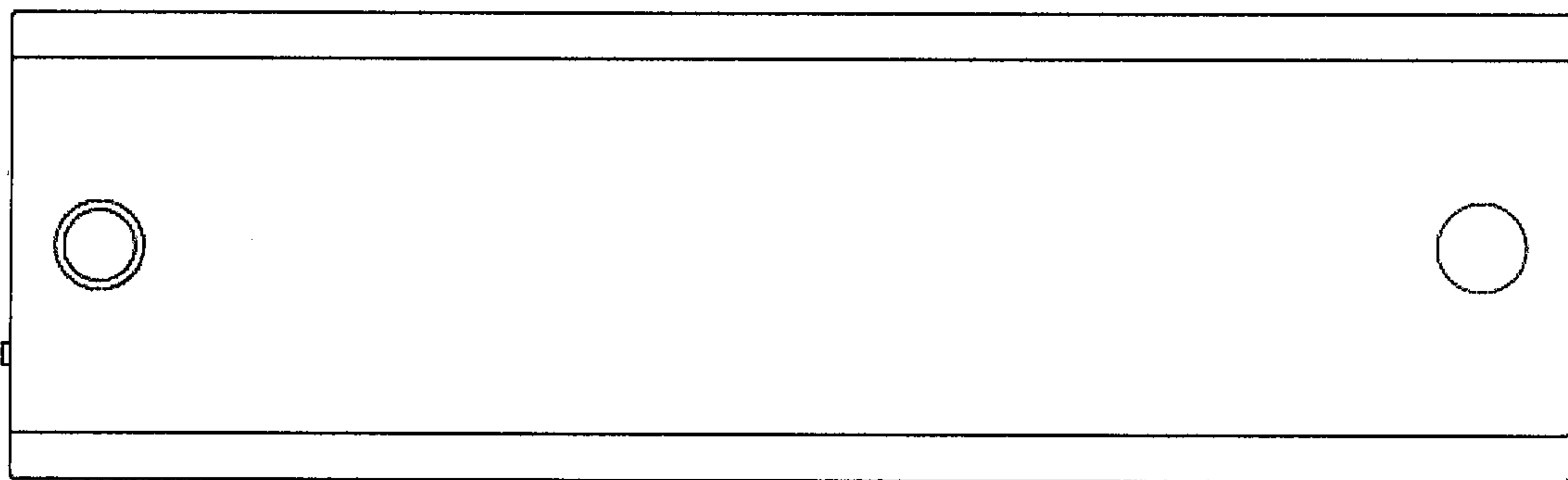


FIGURE 3

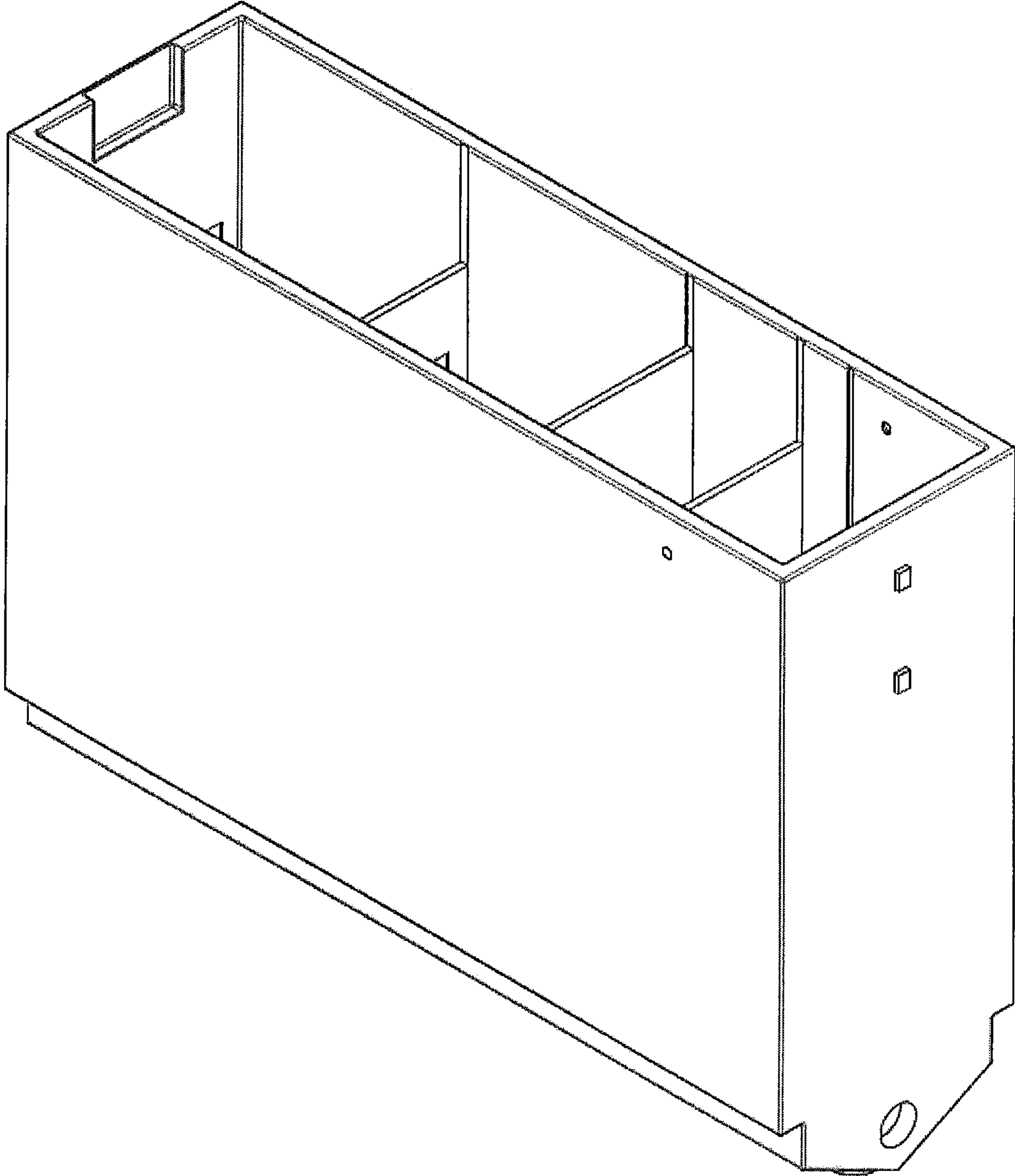


FIGURE 4

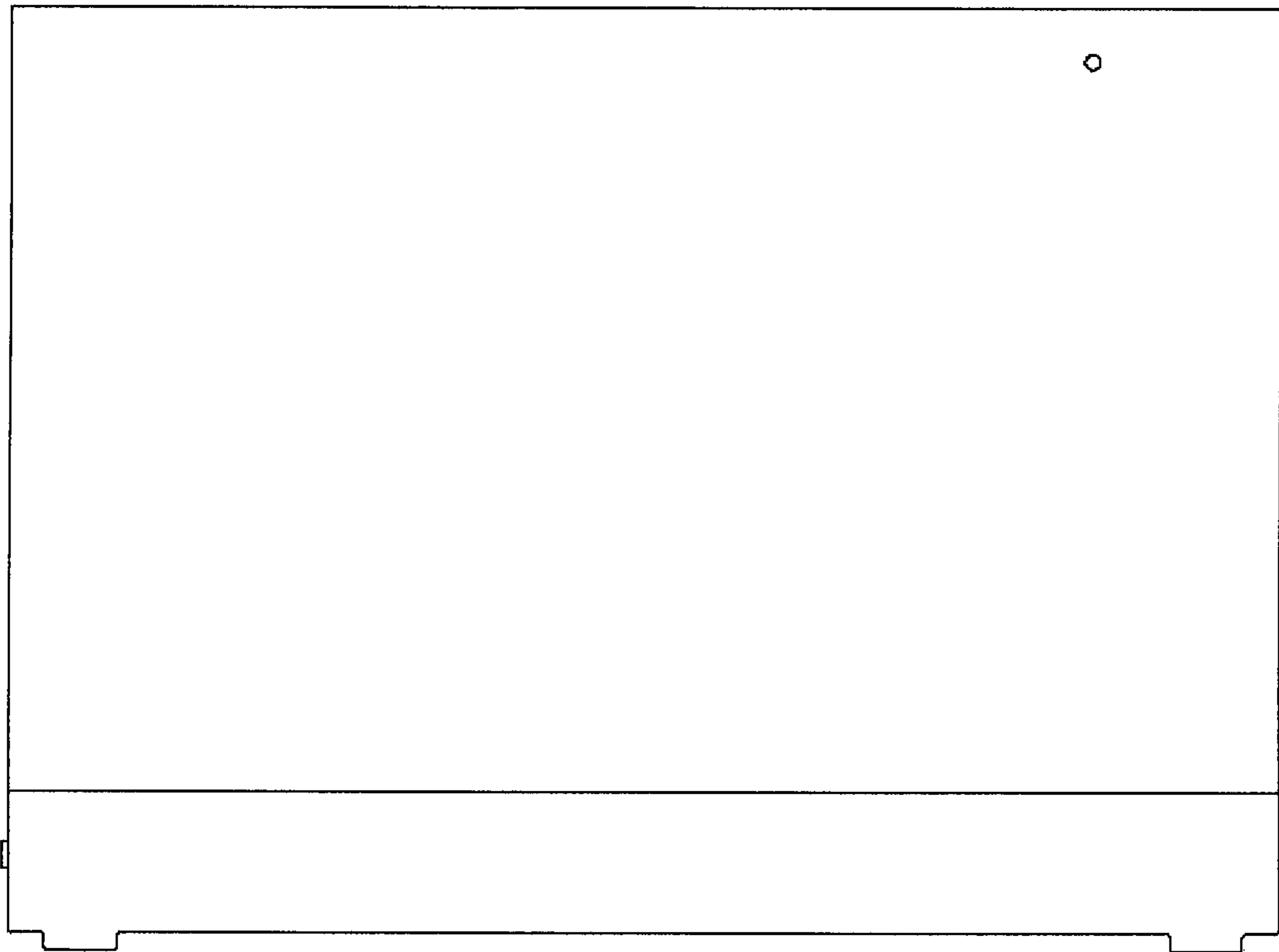


FIGURE 5

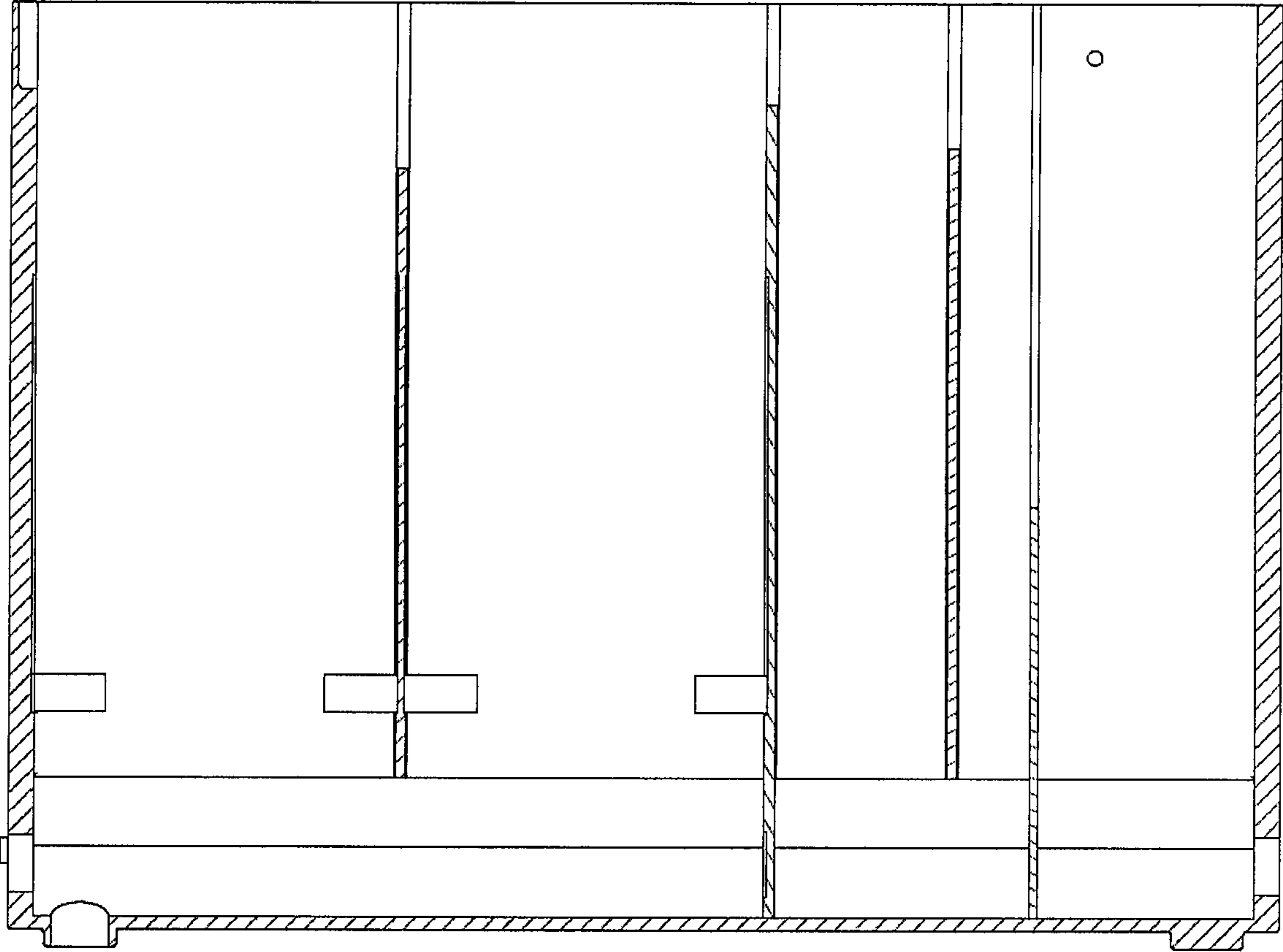


FIGURE 6

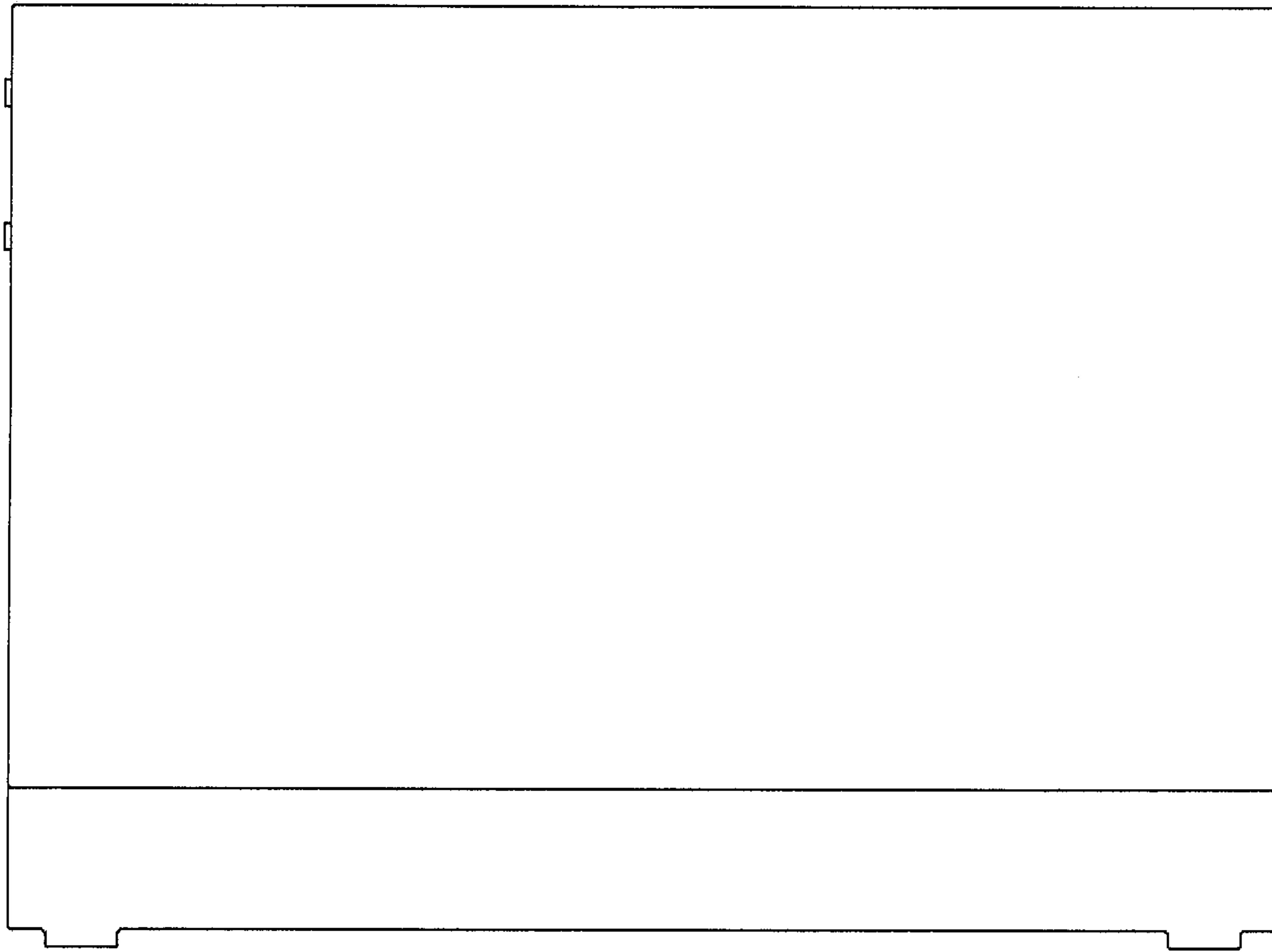


FIGURE 7

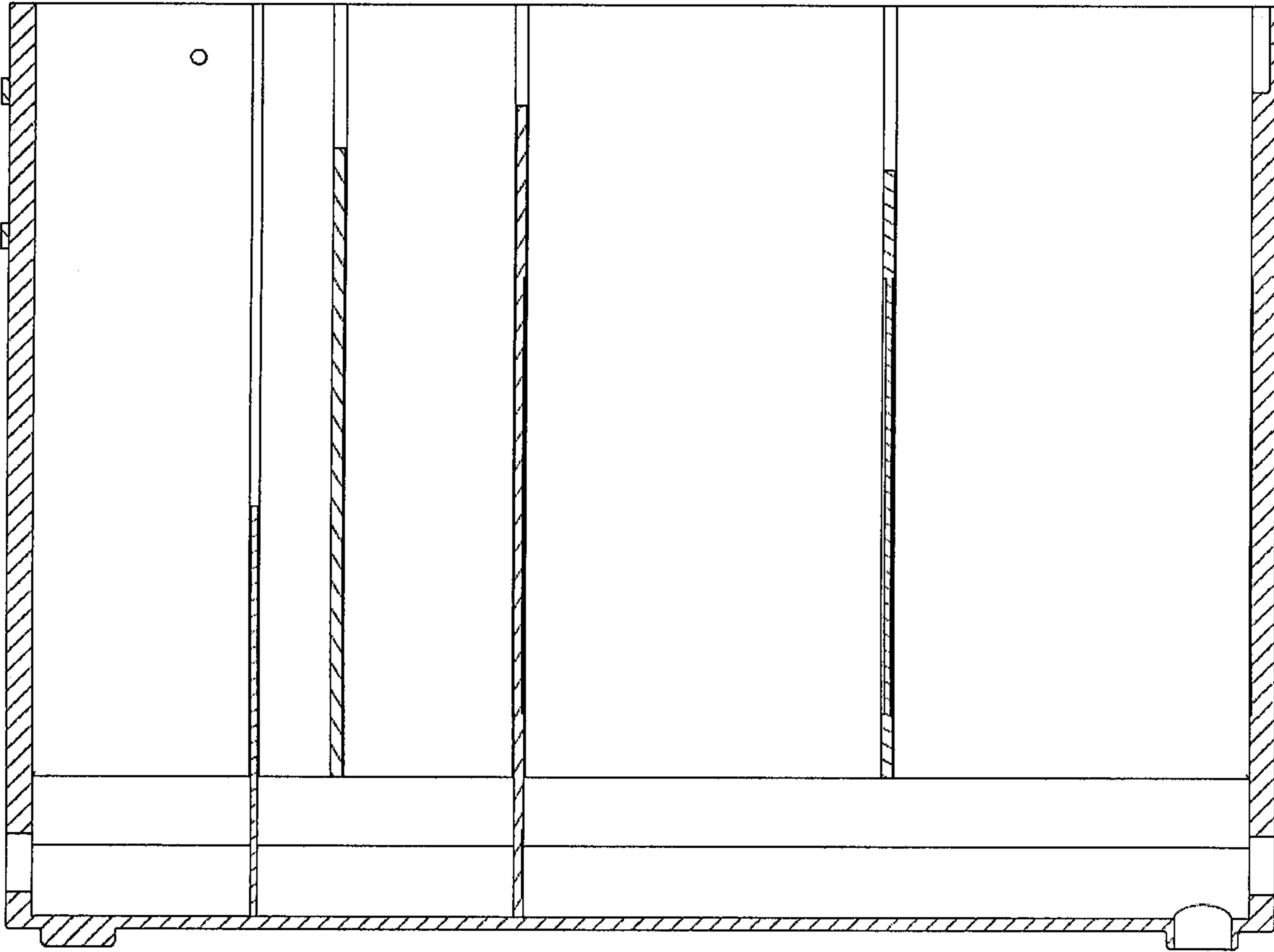


FIGURE 8

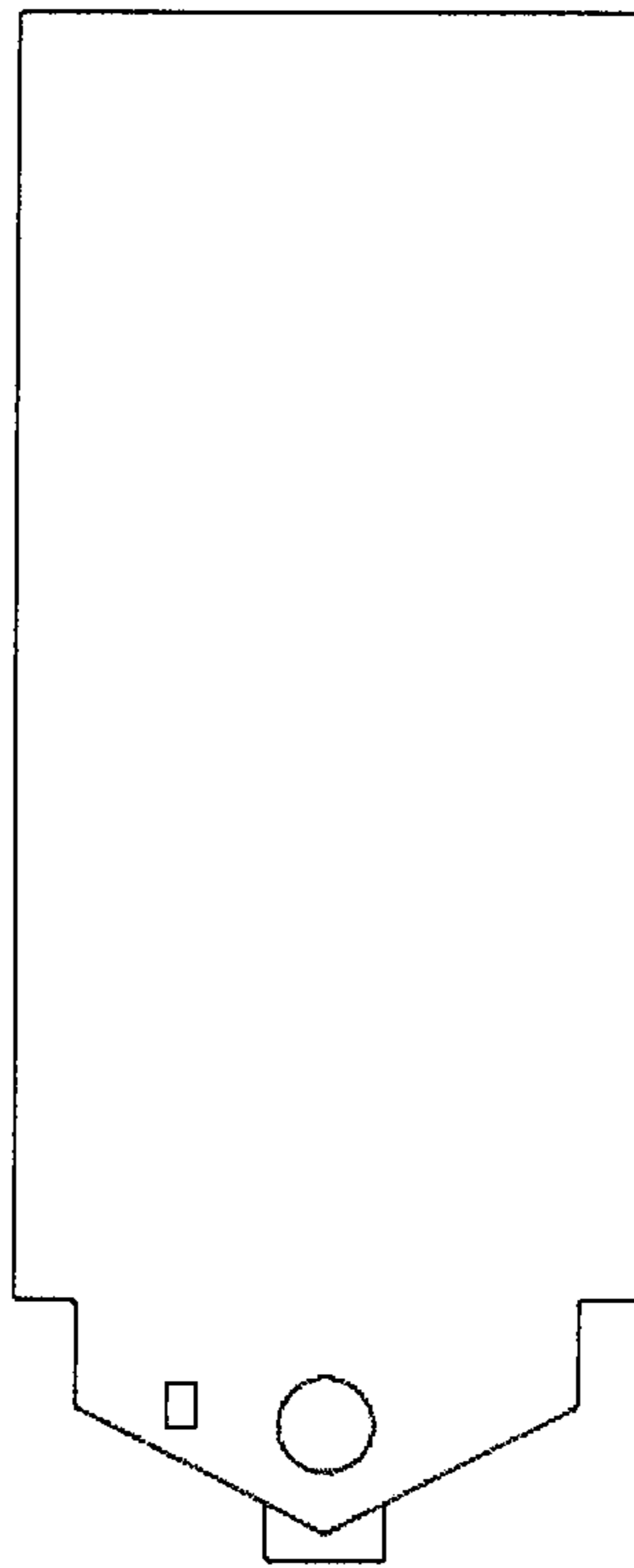


FIGURE 9

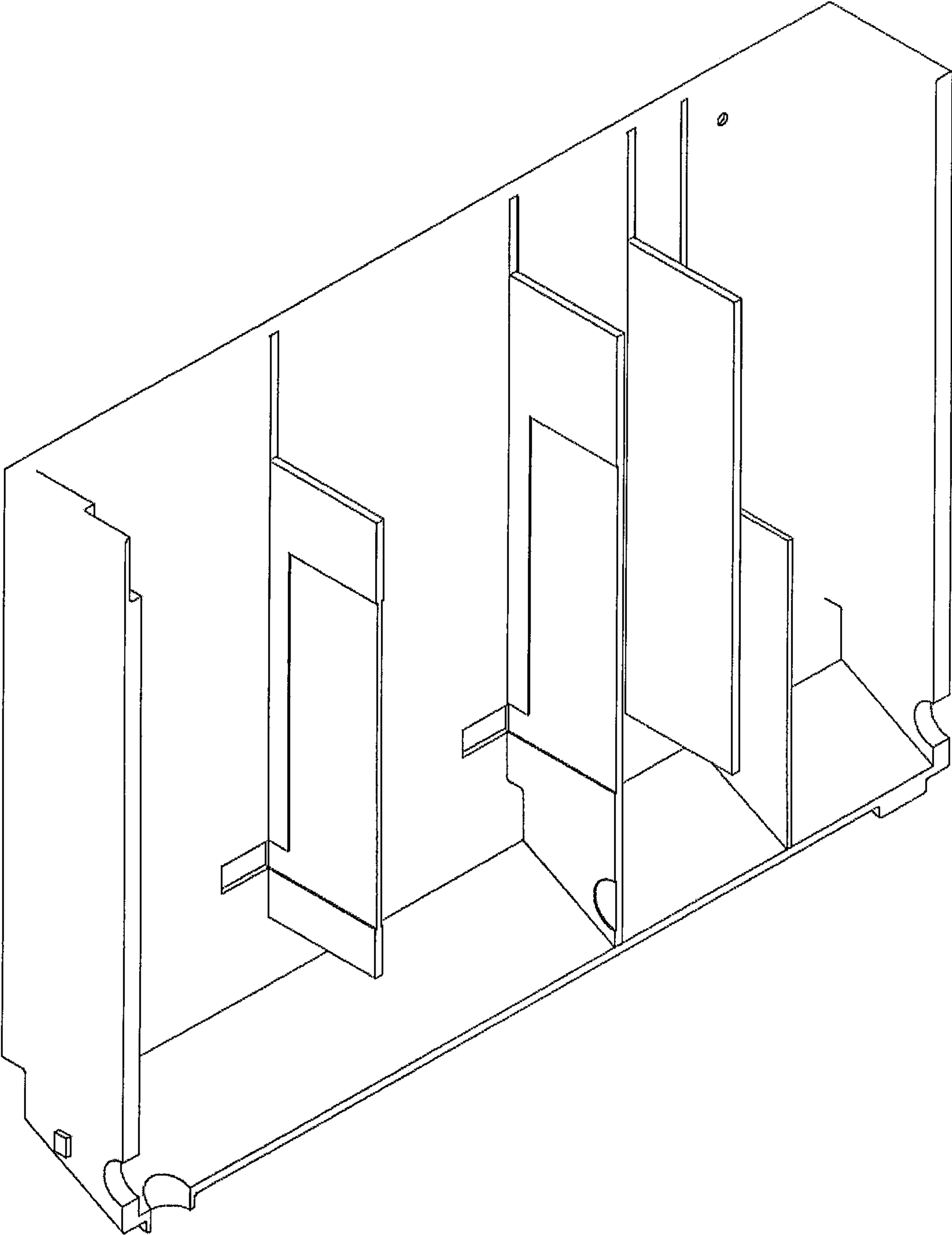


FIGURE 10

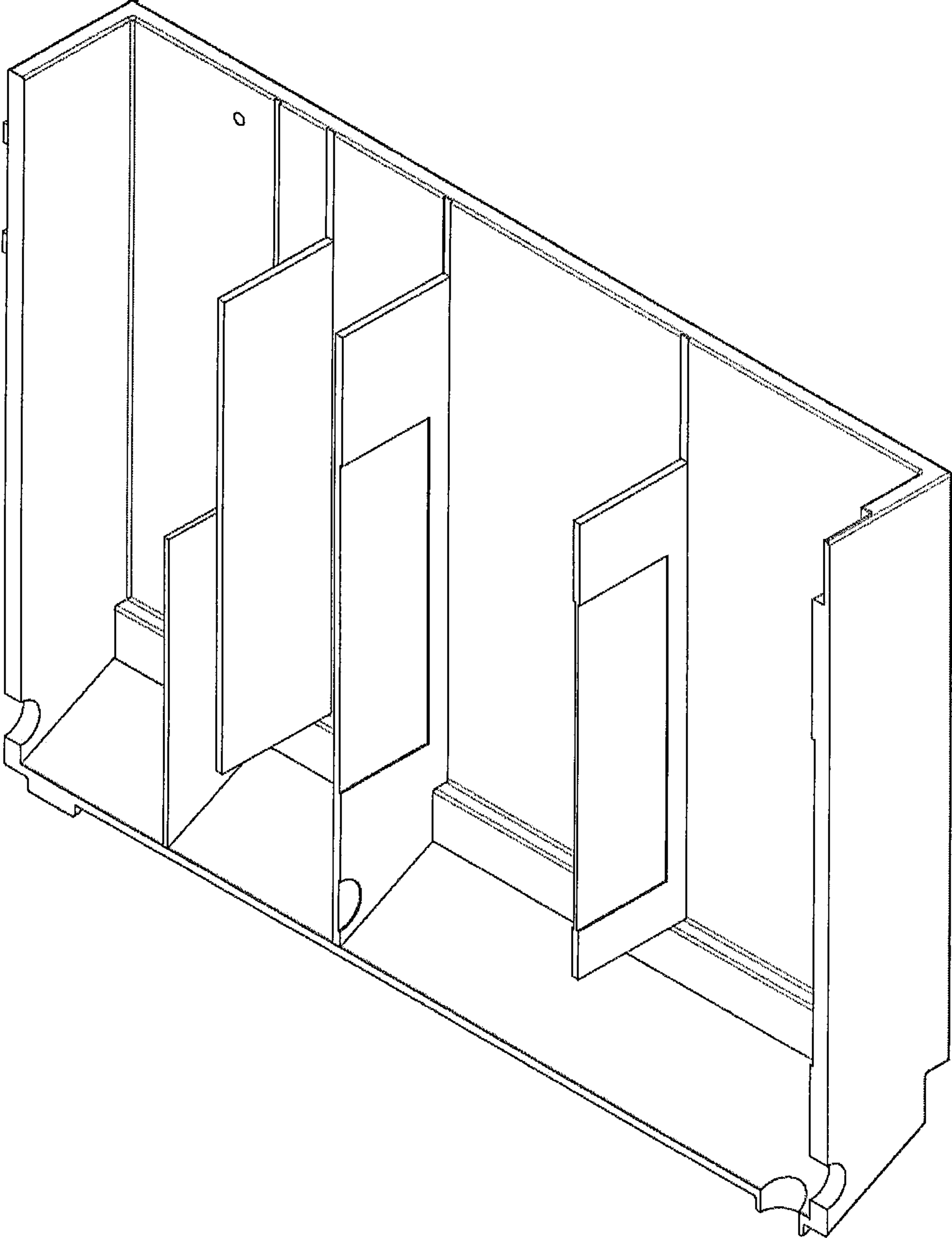


FIGURE 11

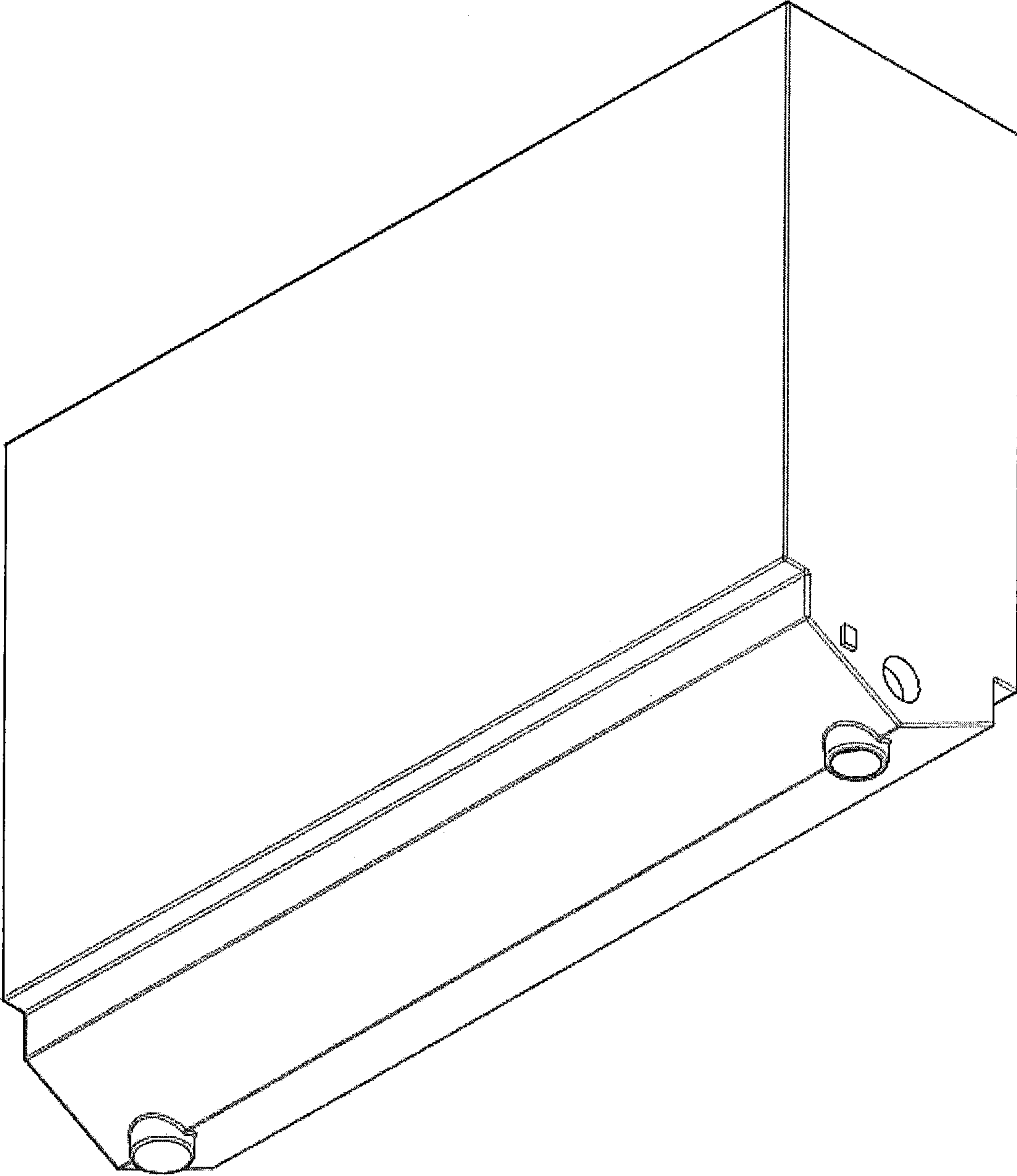


FIGURE 12

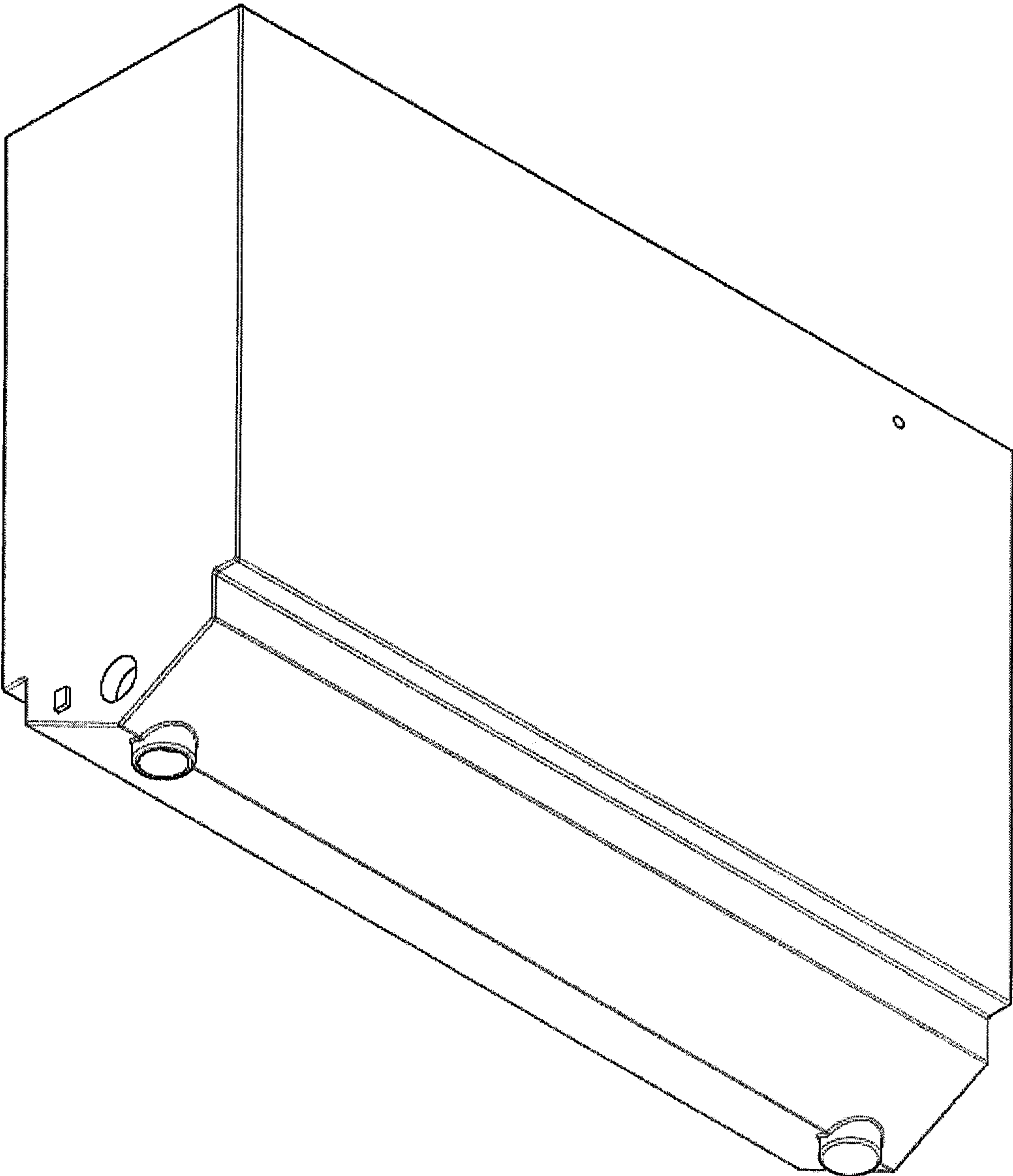


FIGURE 13

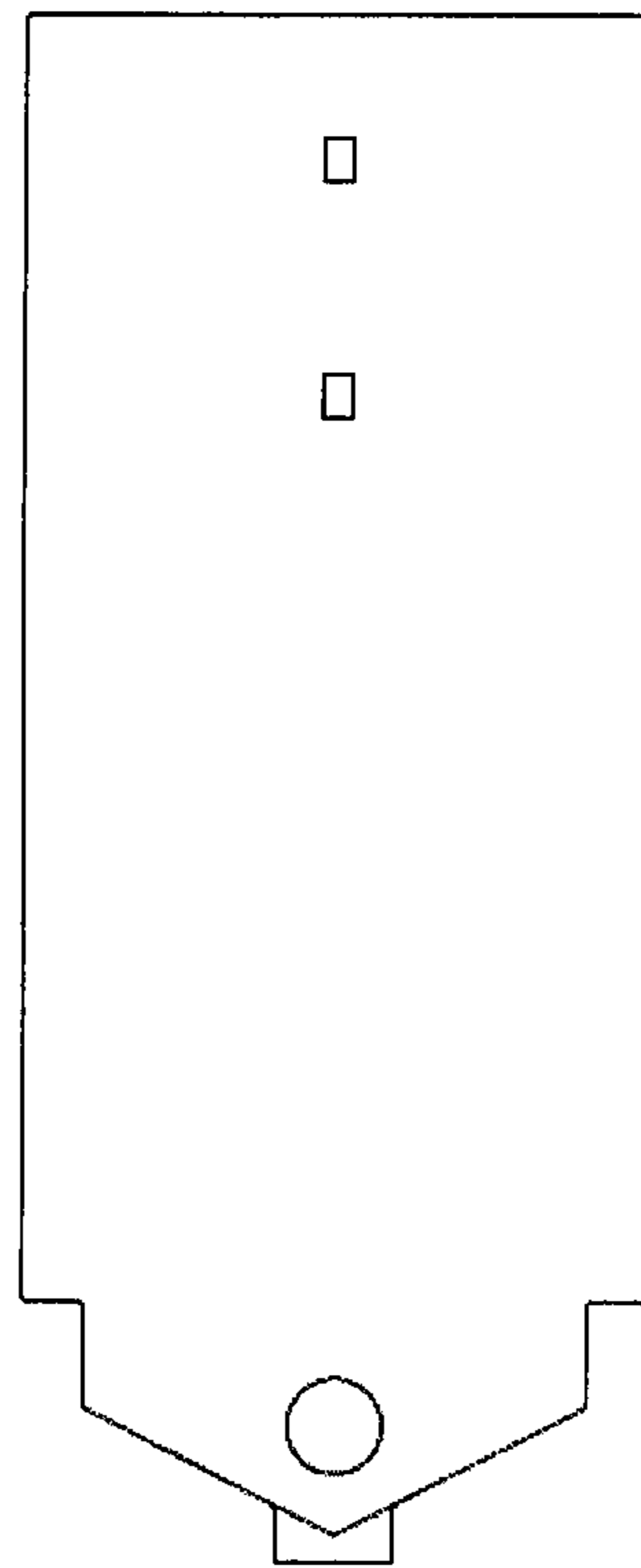


FIGURE 14

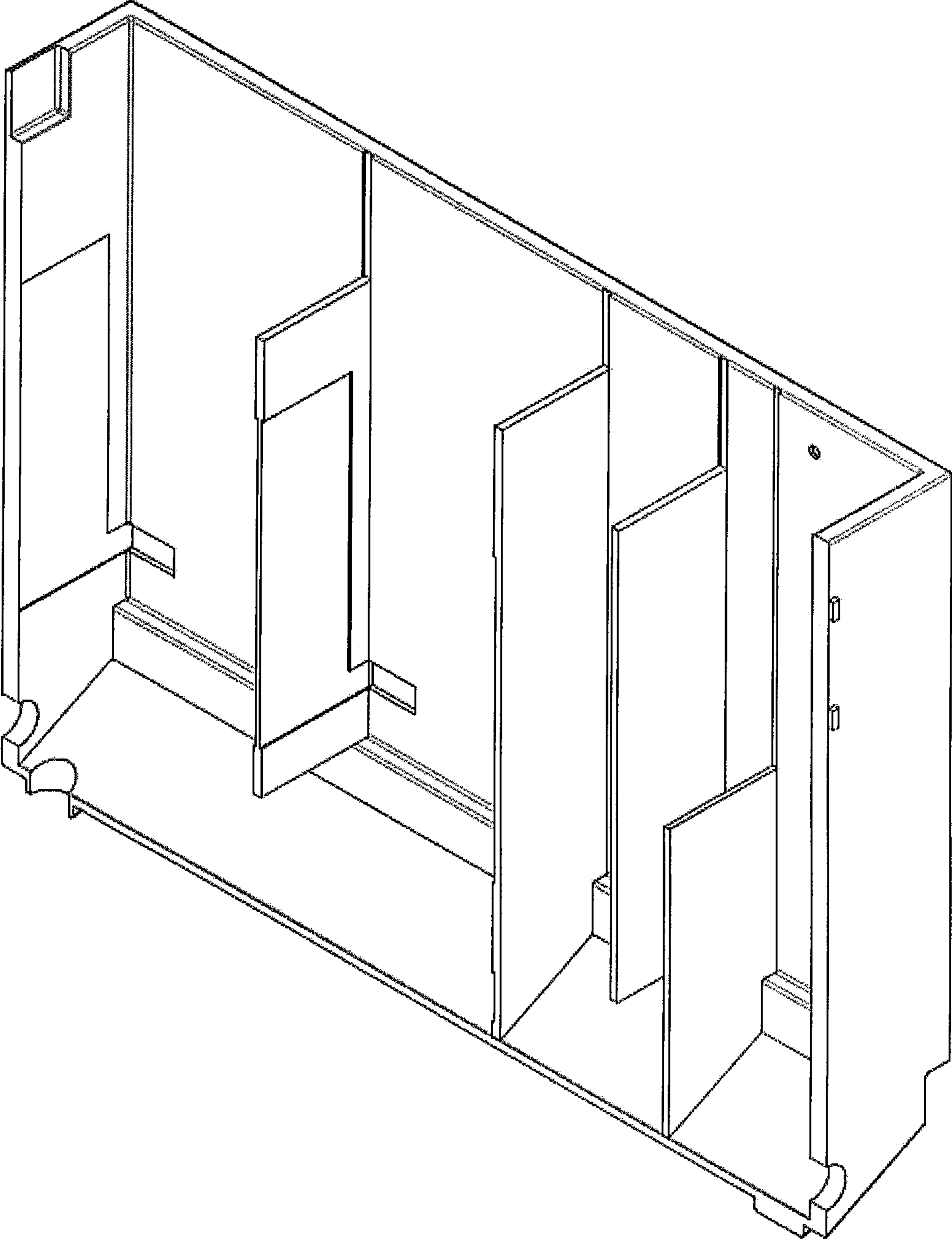


FIGURE 15