



US00D952693S

(12) **United States Design Patent** (10) **Patent No.:** **US D952,693 S**
Francis (45) **Date of Patent:** **** May 24, 2022**

(54) **COMPRESSOR**
(71) Applicant: **BLACK & DECKER INC.**, New Britain, CT (US)
(72) Inventor: **Matthew C. Francis**, Baltimore, MD (US)
(73) Assignee: **BLACK & DECKER INC.**, New Britain, CT (US)
(**) Term: **15 Years**
(21) Appl. No.: **29/652,101**
(22) Filed: **May 12, 2020**
(51) **LOC (13) Cl.** **15-02**
(52) **U.S. Cl.**
USPC **D15/9; D15/7**
(58) **Field of Classification Search**
USPC **D13/103, 107; D15/7-9**
CPC **F04B 41/00; F04B 41/02; F04B 41/04; F04B 41/06; F04B 35/00; F04B 35/06; F04B 35/002; F04B 35/86; F04B 31/00; F04B 49/00; F04B 25/00; F04B 25/005; F04B 25/02; F04B 25/04; F04B 17/03; F04B 17/06; F04B 33/005; F04B 33/00; F04B 33/02**

See application file for complete search history.

(56) **References Cited**
U.S. PATENT DOCUMENTS

D461,196 S * 8/2002 Buck D15/9
D471,919 S * 3/2003 Buck D15/9
D499,747 S * 12/2004 Buck D15/9
D512,075 S * 11/2005 Buck D15/9
7,025,573 B1 * 4/2006 Hardin F04B 35/06
417/234
D541,306 S * 4/2007 Welsh D15/9
D553,647 S * 10/2007 Steinfels D15/9
D603,871 S * 11/2009 Steinfels D15/7

D604,746 S * 11/2009 Nishido D15/7
D668,683 S * 10/2012 Balma D15/9
D710,902 S * 8/2014 Vintzel D15/9
D902,261 S * 11/2020 Vintzel D15/9
D917,579 S * 4/2021 Nishido D15/9
2018/0320677 A1 * 11/2018 Thackery F04B 41/02

OTHER PUBLICATIONS

Craftsman, Craftsman Air Compressor, 3 Gallon 1.5 HP Max 155 Psi Pressure Oil-Free Portable, Red—CMXECXA0200341, (first available on Nov. 2, 2019), Amazon.com, URL:<<https://www.amazon.com/Craftsman-Compressor-Pressure-Oil-Free-CMXECXA0200341/dp/B07Y2XSCDD>> (Year: 2019).
Kobalt, Kobalt 3-Gallon Portable 155-PSI Electric Hot Dog Air Compressor, (site visited Jul. 9, 2021), Lowes.com, URL:<<https://www.lowes.com/pd/Kobalt-3-Gallon-Portable-155-PSI-Electric-Hot-Dog-Air-Compressor/4686711>> (Year: 2021).*

* cited by examiner

Primary Examiner — Calvin E Vansant
Assistant Examiner — Mark T. Philipps
(74) *Attorney, Agent, or Firm* — Adan Ayala

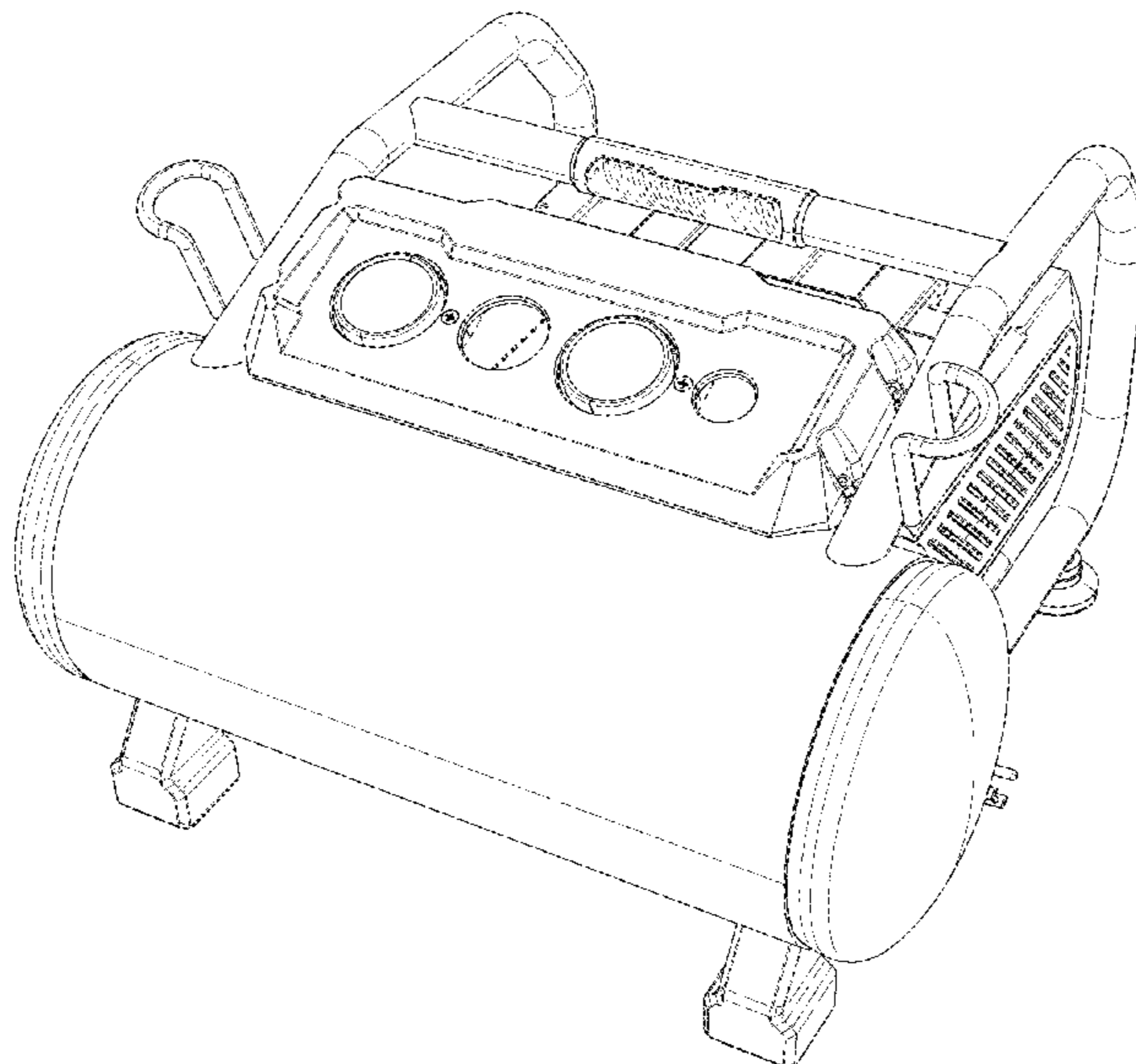
(57) **CLAIM**

The ornamental design for a compressor, as shown and described.

DESCRIPTION

FIG. 1 is a front perspective view of a compressor according to the invention.
FIG. 2 is a front view of the compressor of FIG. 1.
FIG. 3 is a rear view of the compressor of FIG. 1.
FIG. 4 is a right side view of the compressor of FIG. 1.
FIG. 5 is a left side view of the compressor of FIG. 1.
FIG. 6 is a top plan view of the compressor of FIG. 1; and, FIG. 7 is a bottom plan view of the compressor of FIG. 1. The broken lines illustrate portions of the compressor and form no part of the claimed design.

1 Claim, 7 Drawing Sheets



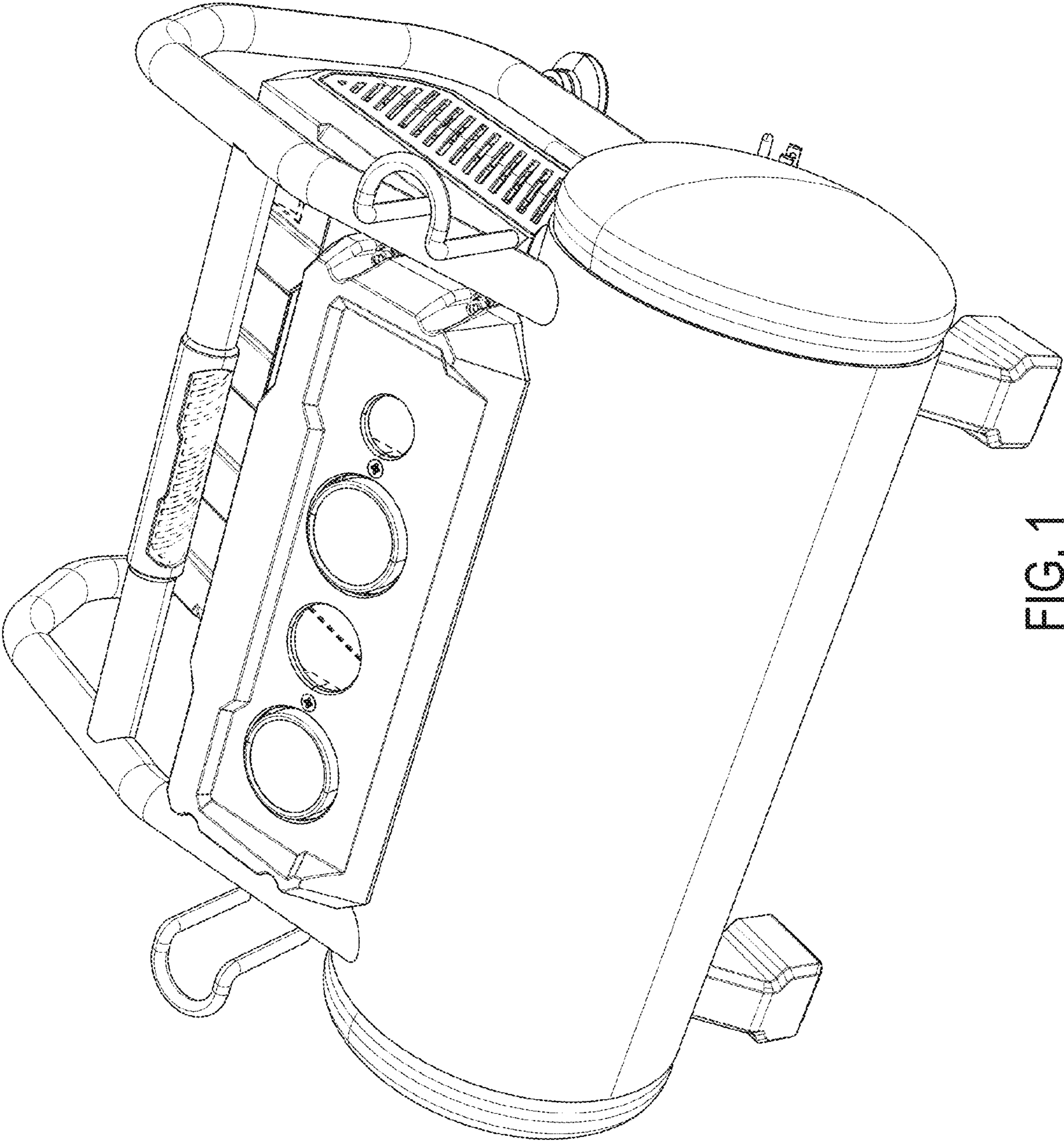


FIG. 1

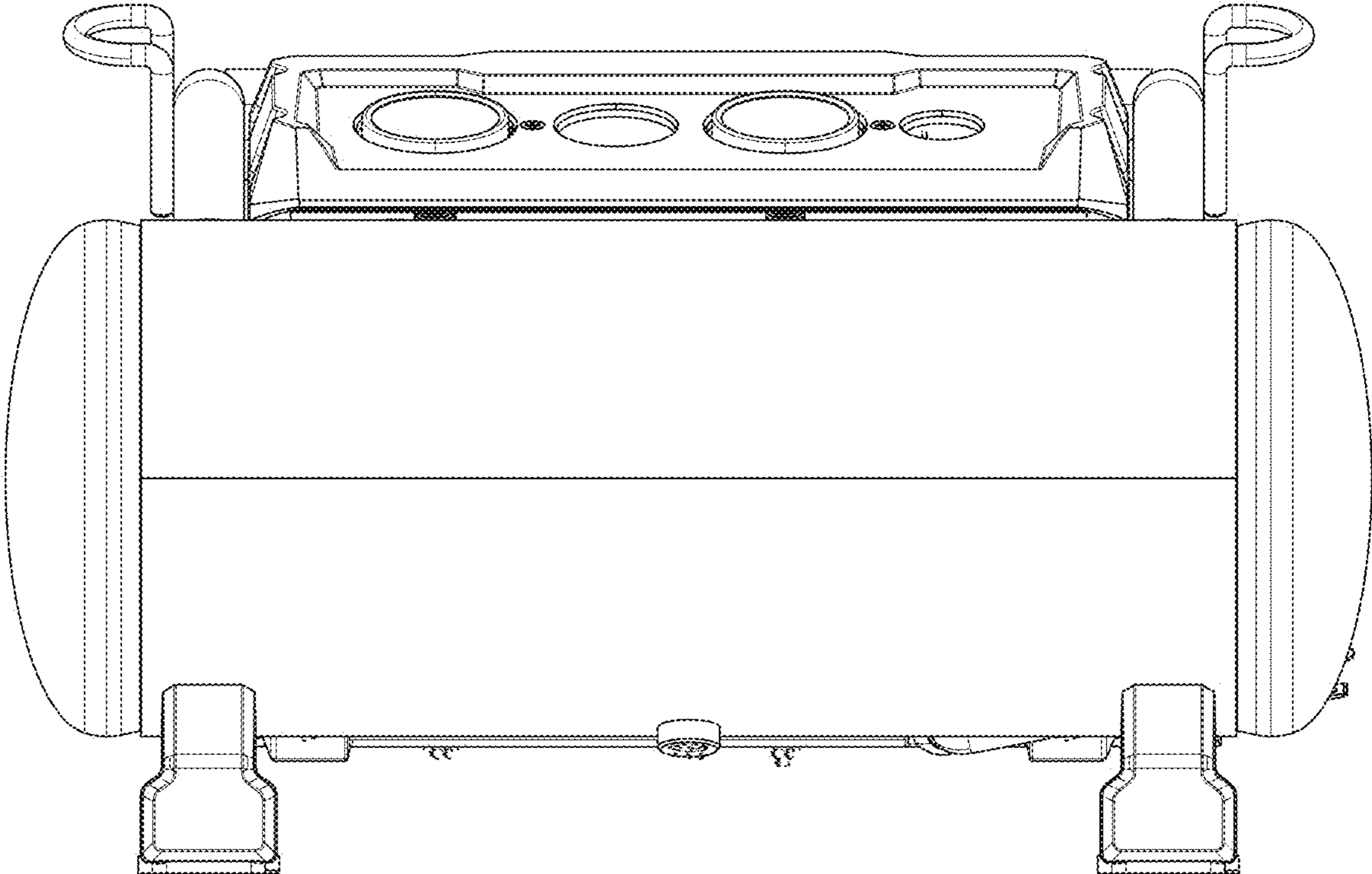


FIG. 2

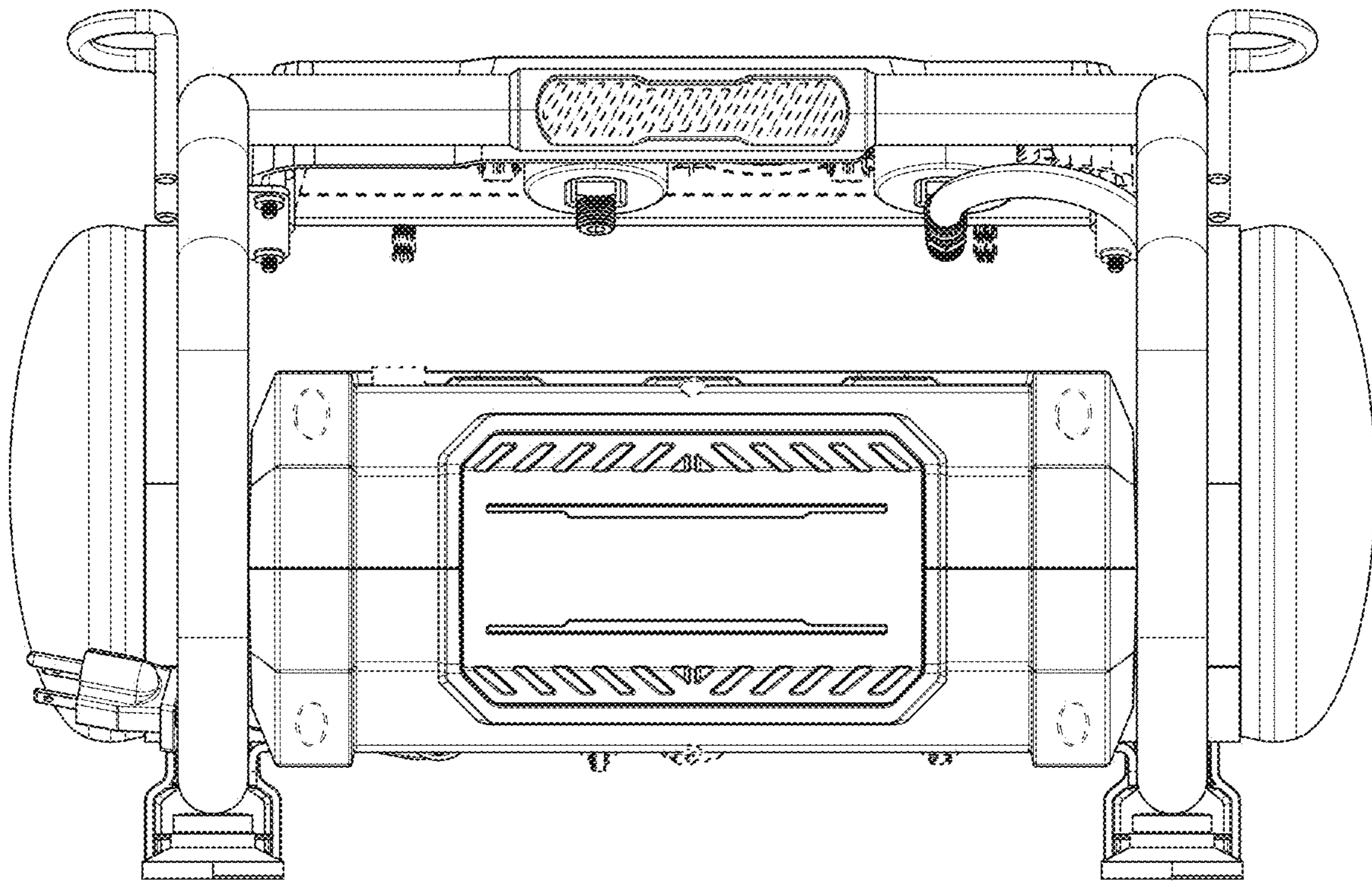


FIG. 3

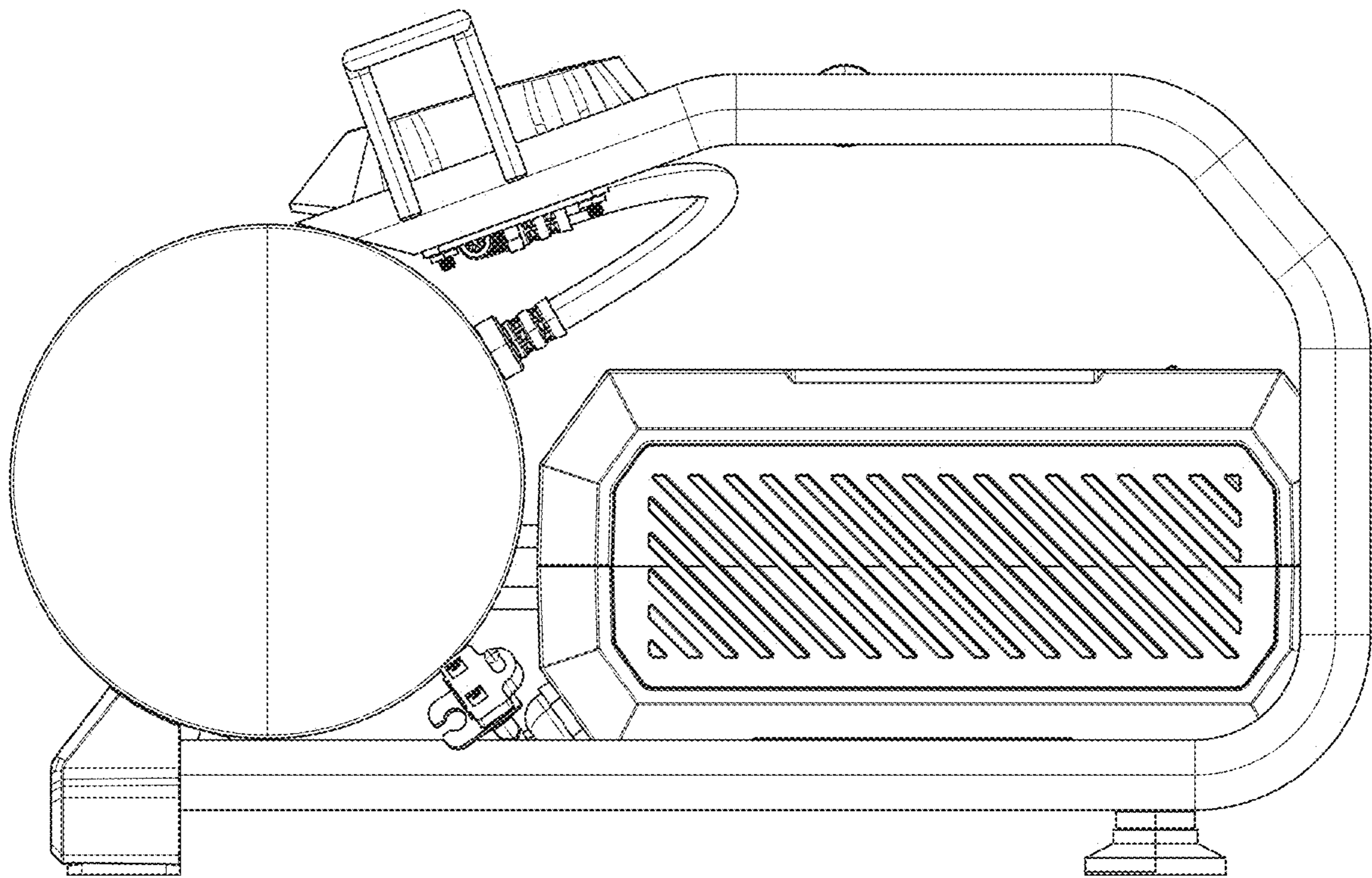


FIG. 4

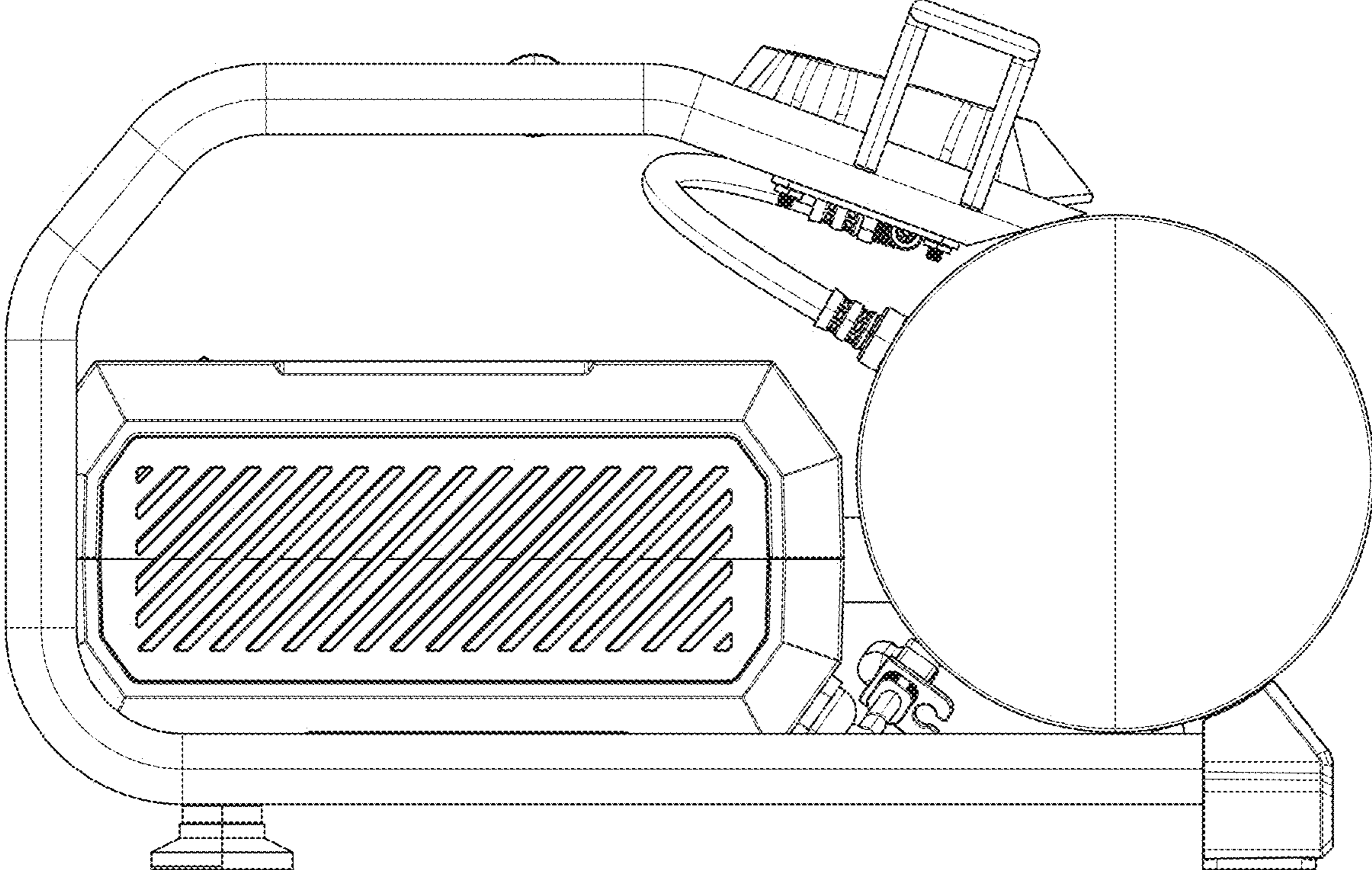


FIG. 5

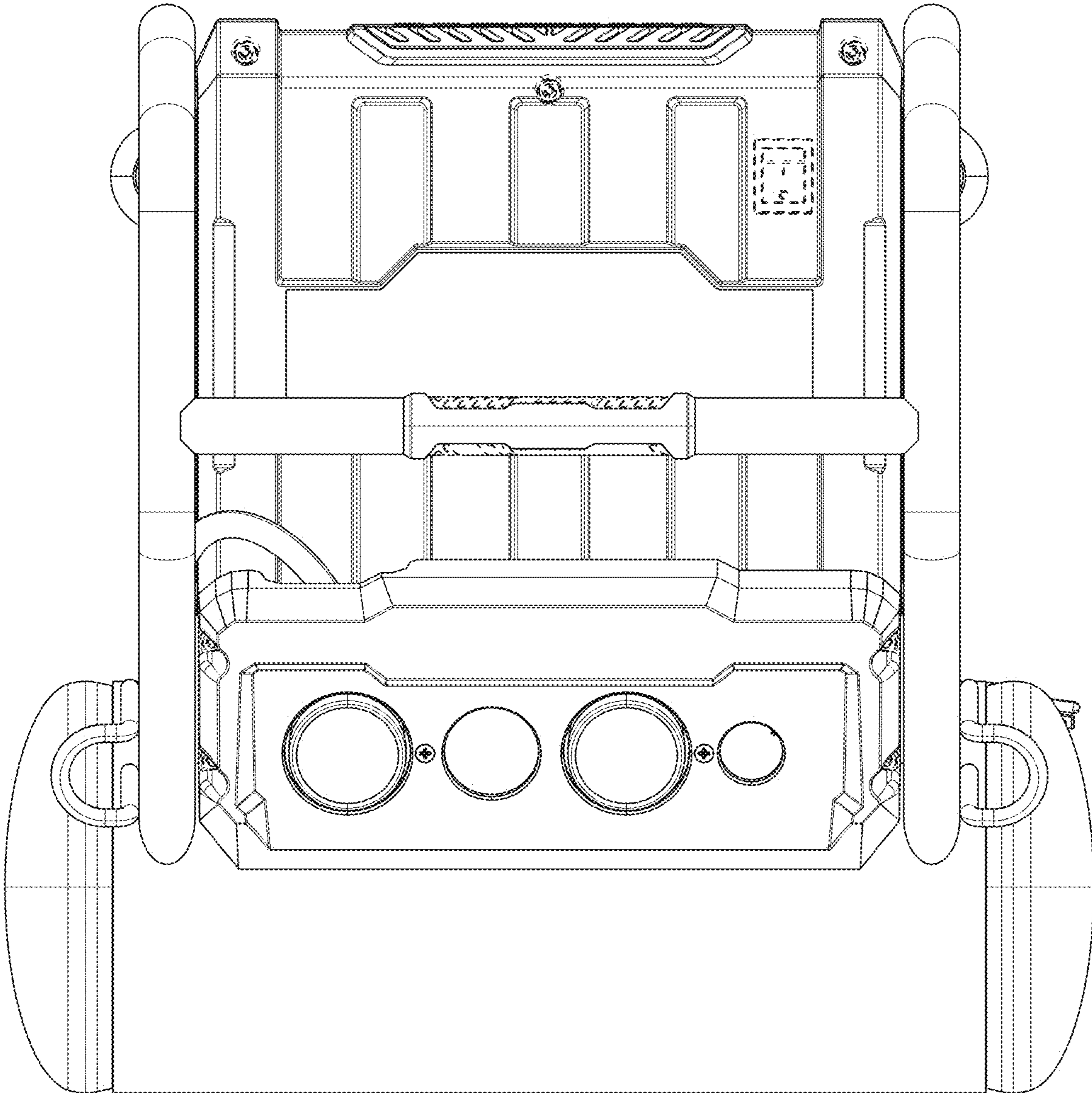


FIG. 6

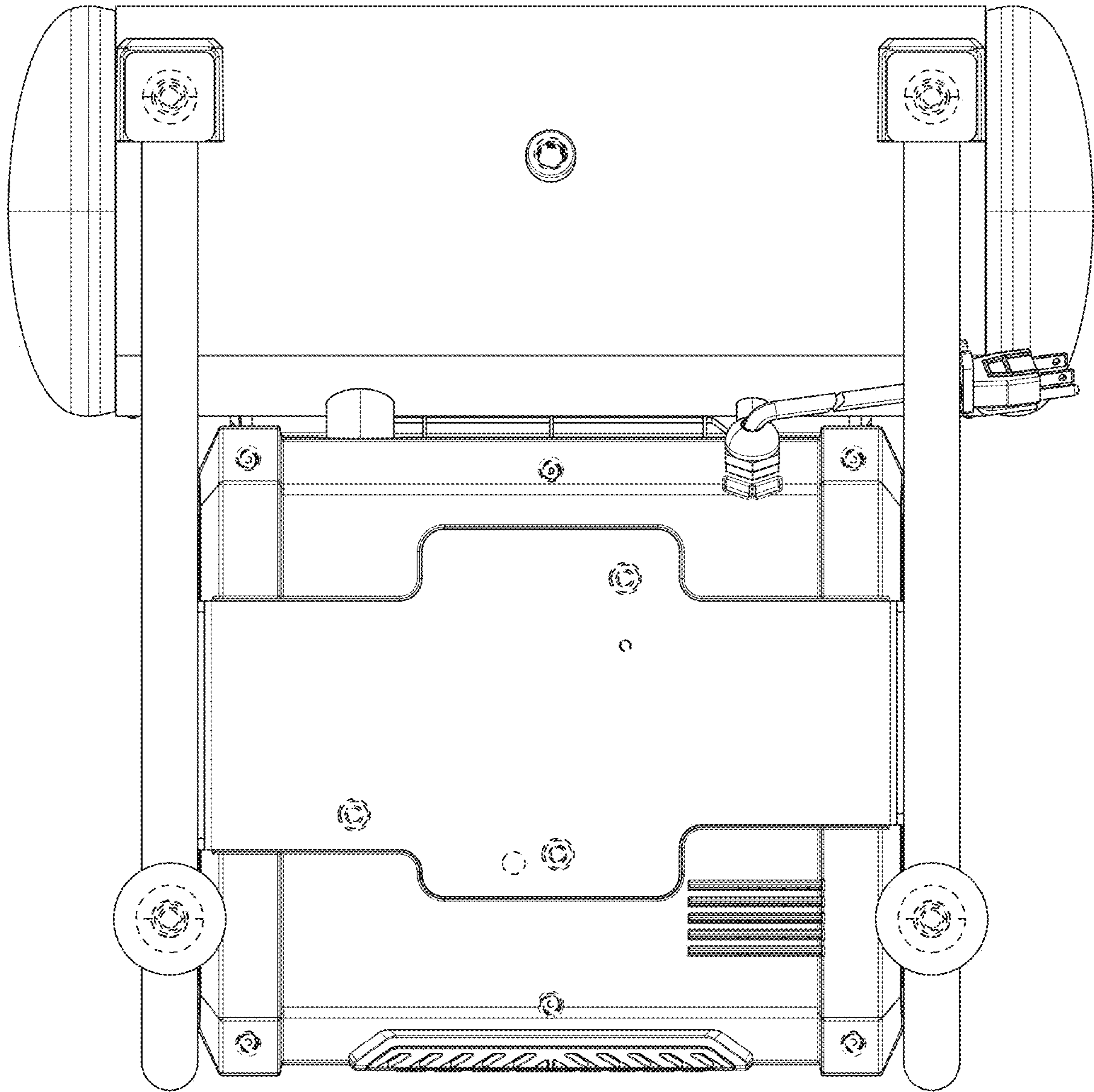


FIG. 7