



US00D952688S

(12) **United States Design Patent** (10) **Patent No.:** **US D952,688 S**
Nonaka et al. (45) **Date of Patent:** **** May 24, 2022**

(54) **ENGINE**
(71) Applicant: **KAAZ CORPORATION**, Okayama (JP)
(72) Inventors: **Masaki Nonaka**, Okayama (JP); **Koichi Hirakawa**, Okayama (JP); **Shinichirou Okamoto**, Okayama (JP)

D788,823 S * 6/2017 Ito D15/1
D794,077 S * 8/2017 Shimogami D15/1
D849,795 S * 5/2019 Taniguchi D15/1
D859,468 S * 9/2019 Akamine D15/1
2014/0216402 A1* 8/2014 Oppenlander F02B 63/02
123/437
2016/0237876 A1* 8/2016 Ichihashi F01N 13/143

(73) Assignee: **KAAZ CORPORATION**, Okayama (JP)
(**) Term: **15 Years**

FOREIGN PATENT DOCUMENTS
JP 514868-1 S 2/1982
JP 1284659 S 10/2006
JP 1389852 S 6/2010
* cited by examiner

(21) Appl. No.: **29/713,832**
(22) Filed: **Nov. 19, 2019**
(51) **LOC (13) Cl.** **15-01**
(52) **U.S. Cl.**
USPC **D15/1**
(58) **Field of Classification Search**
USPC D15/1, 2, 3, 4, 5, 6, 7
CPC ... F02N 1/00; F02N 1/005; F02N 1/02; F02N 3/02; F02N 3/00; F02F 2007/0075; F02F 7/00; F02F 7/0065; F02B 77/13; B60R 13/0884
See application file for complete search history.

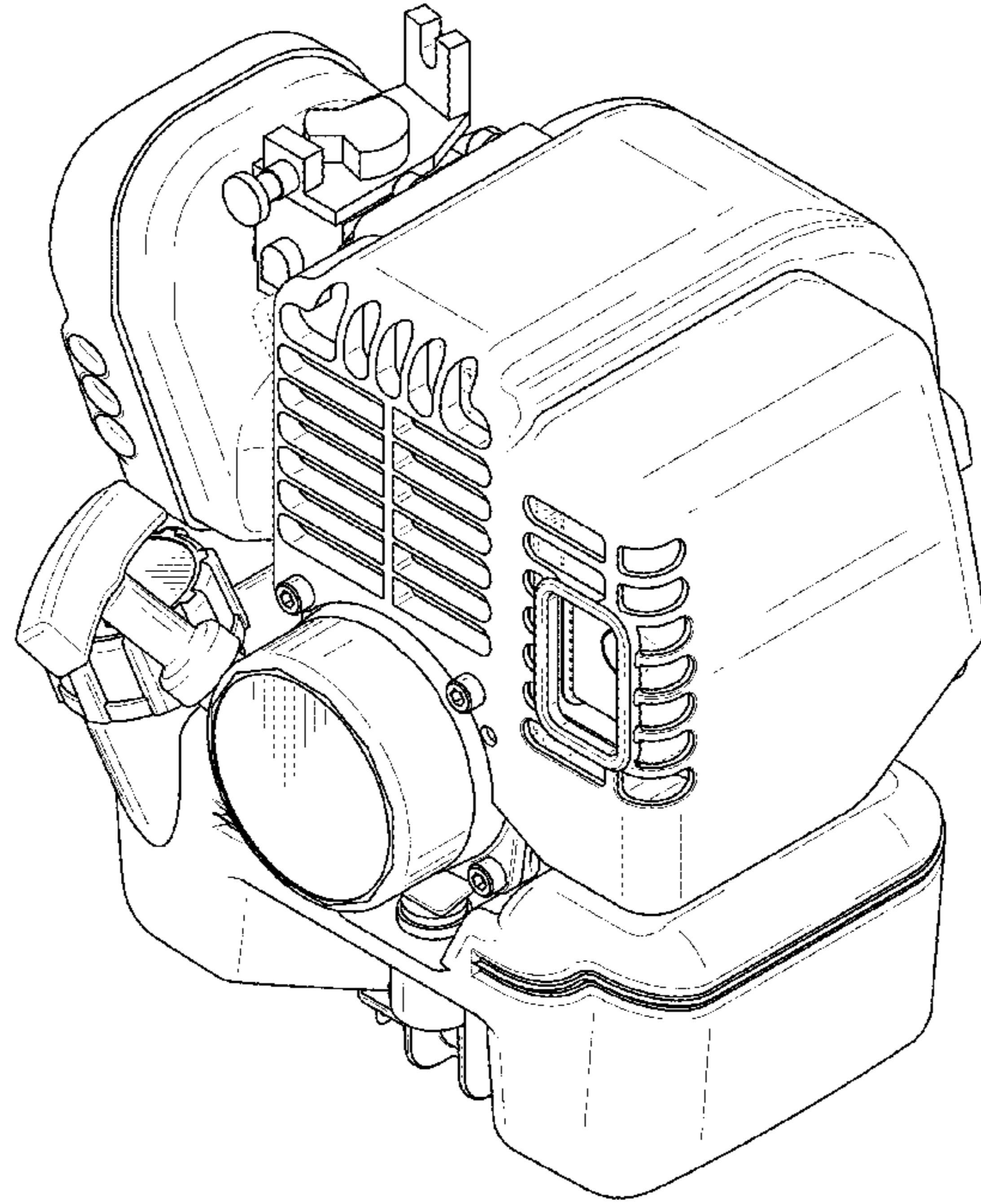
Primary Examiner — Ania Aman
(74) *Attorney, Agent, or Firm* — Pearne & Gordon LLP

(56) **References Cited**
U.S. PATENT DOCUMENTS
D591,767 S * 5/2009 Lee D15/1
D598,935 S * 8/2009 Kobayashi D15/1
D599,822 S * 9/2009 Okuda D15/1
D644,664 S * 9/2011 Sugiyama D15/1
D646,299 S * 10/2011 Aruga D15/1
D673,976 S * 1/2013 Yuasa D15/1
D682,782 S * 5/2013 Yamamoto D13/112
D700,620 S * 3/2014 Aruga D15/1

(57) **CLAIM**
The ornamental design for an engine, as shown and described.

DESCRIPTION
FIG. 1 is a top front perspective view of an engine showing our new design;
FIG. 2 is a bottom back perspective view thereof;
FIG. 3 is a front elevational view thereof;
FIG. 4 is a back elevational view thereof;
FIG. 5 is a left side elevational view thereof;
FIG. 6 is a right side elevational view thereof;
FIG. 7 is a top plan view thereof; and,
FIG. 8 is a bottom plan view thereof.
The broken lines shown are included for the purpose of illustrating the unclaimed portions and form no part of the claimed design.

1 Claim, 8 Drawing Sheets



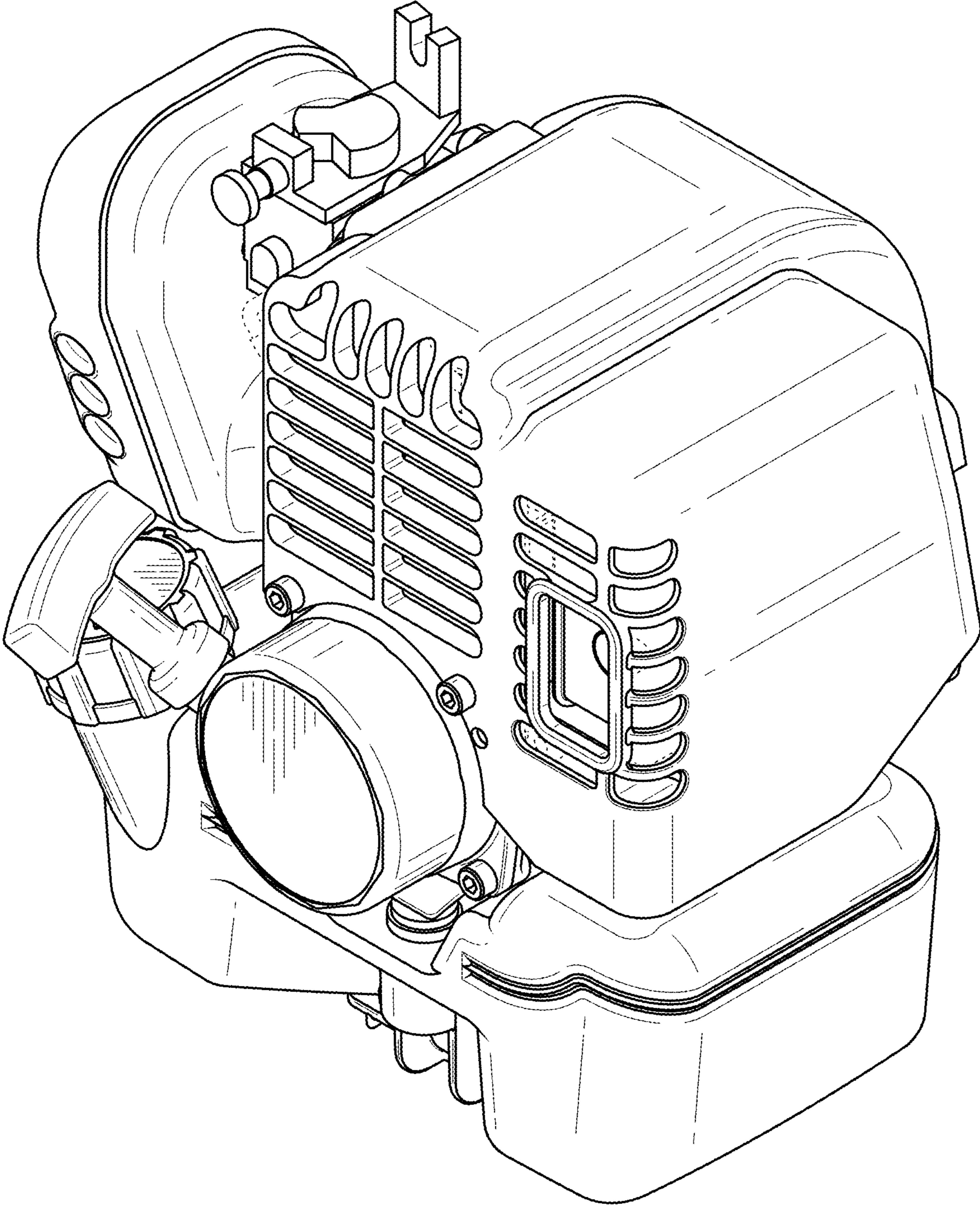


FIG. 1

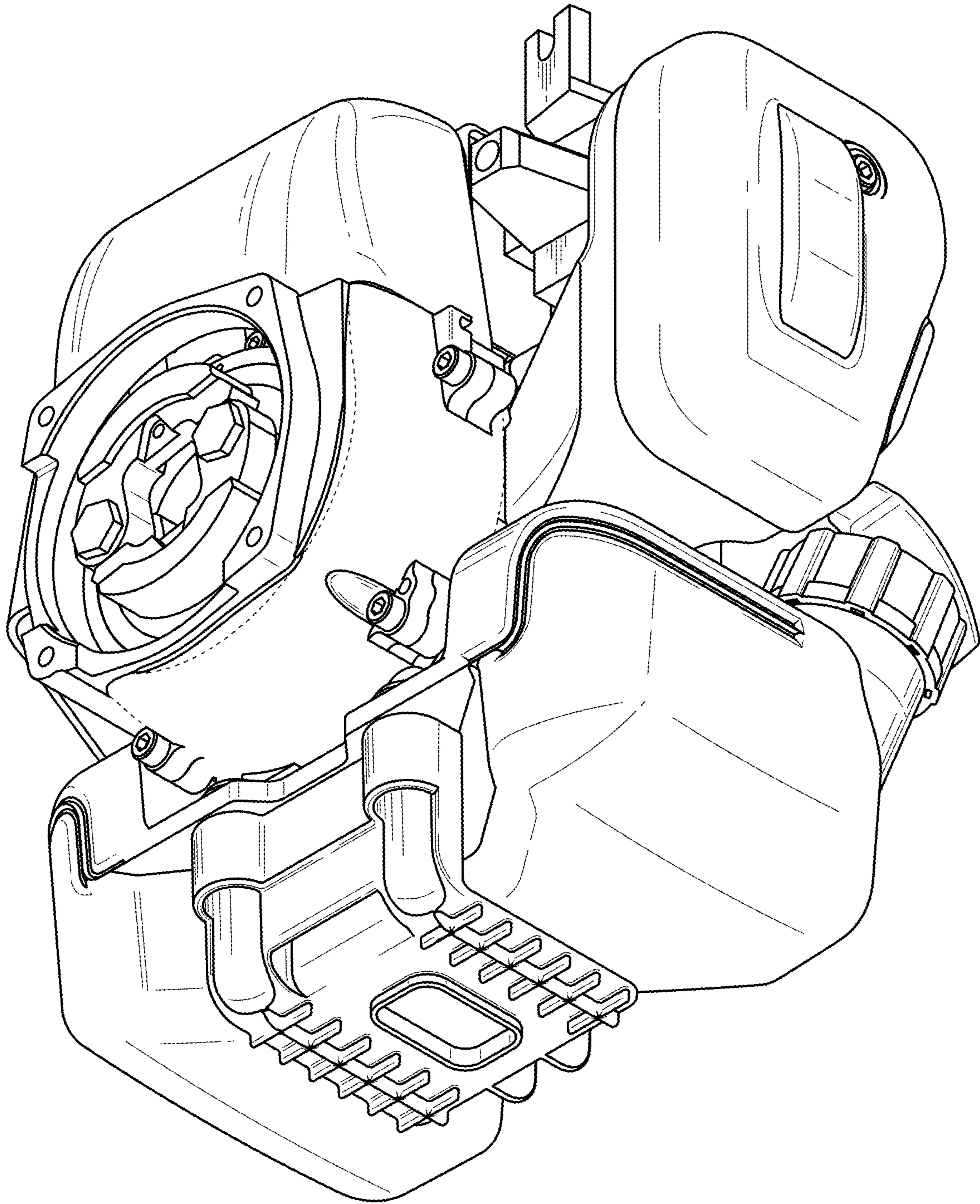


FIG. 2

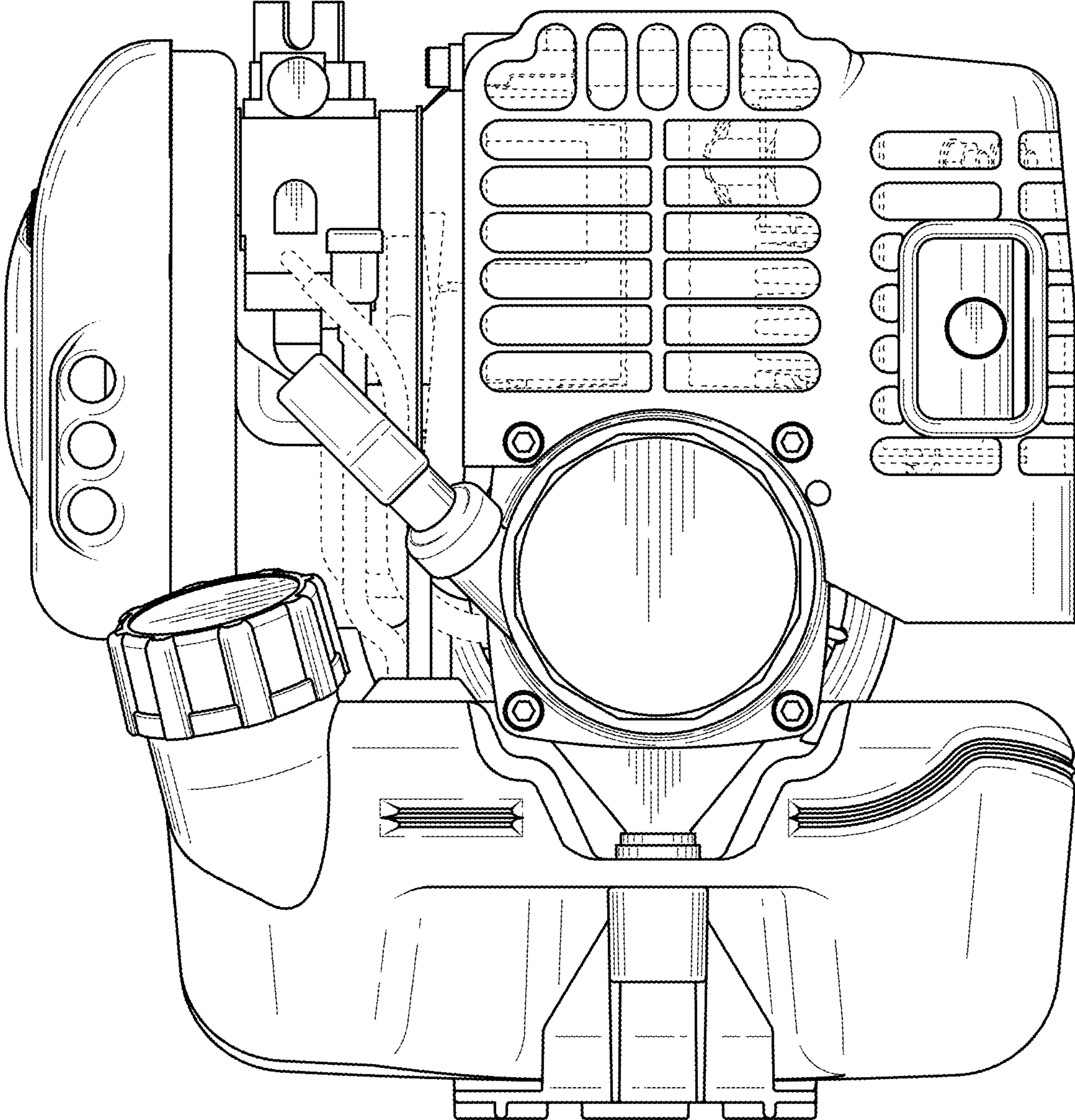


FIG. 3

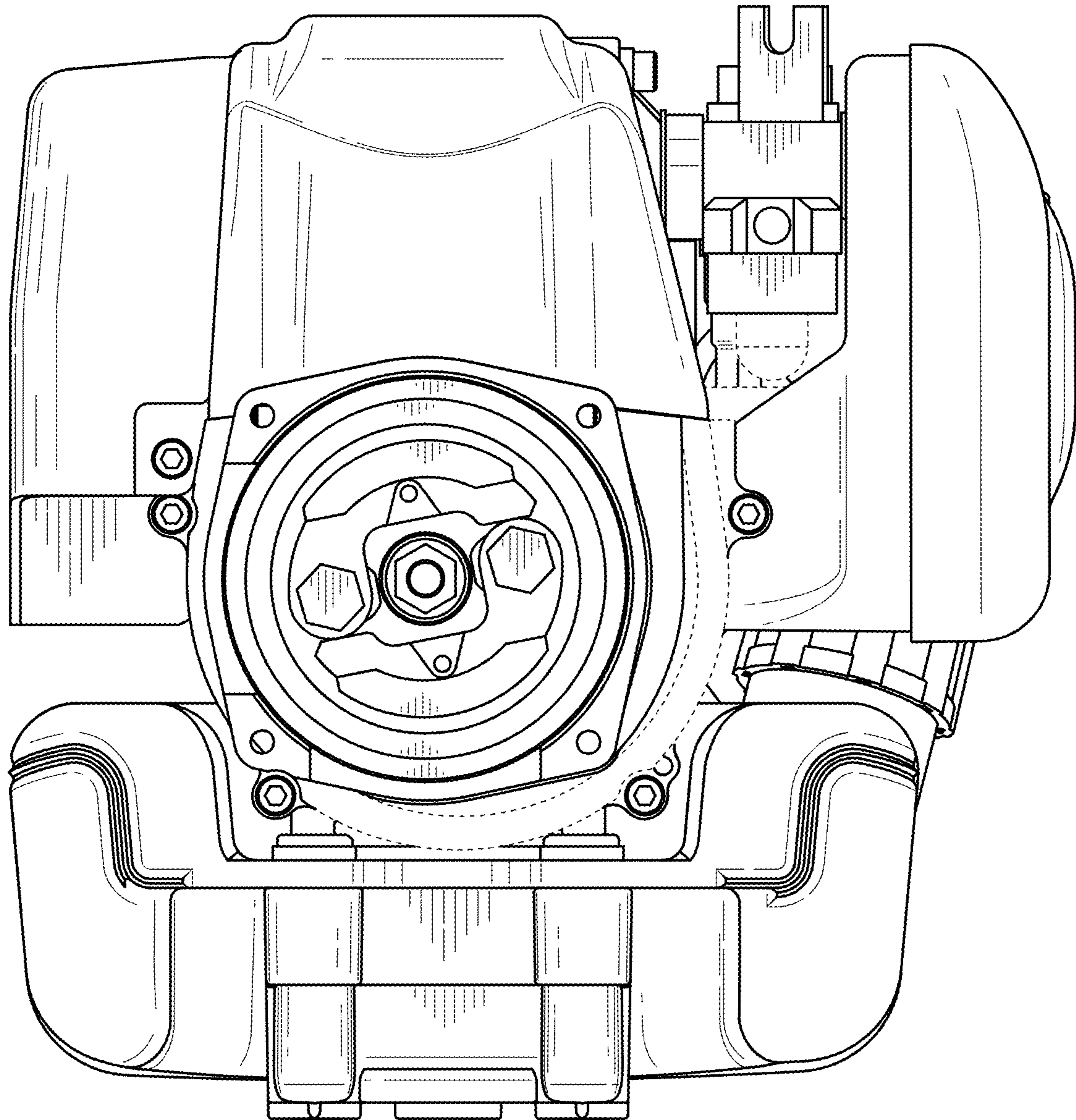


FIG. 4

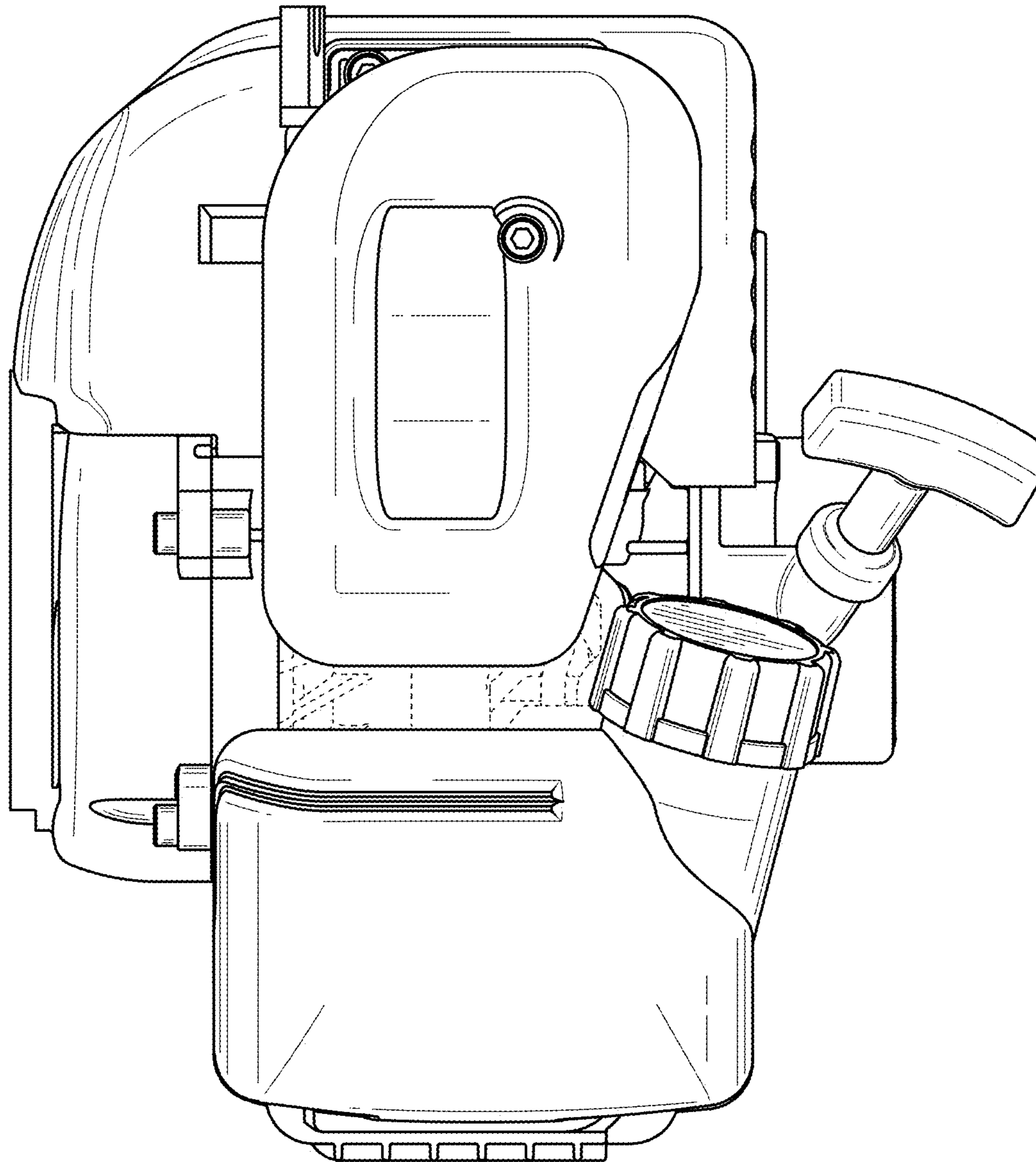


FIG. 5

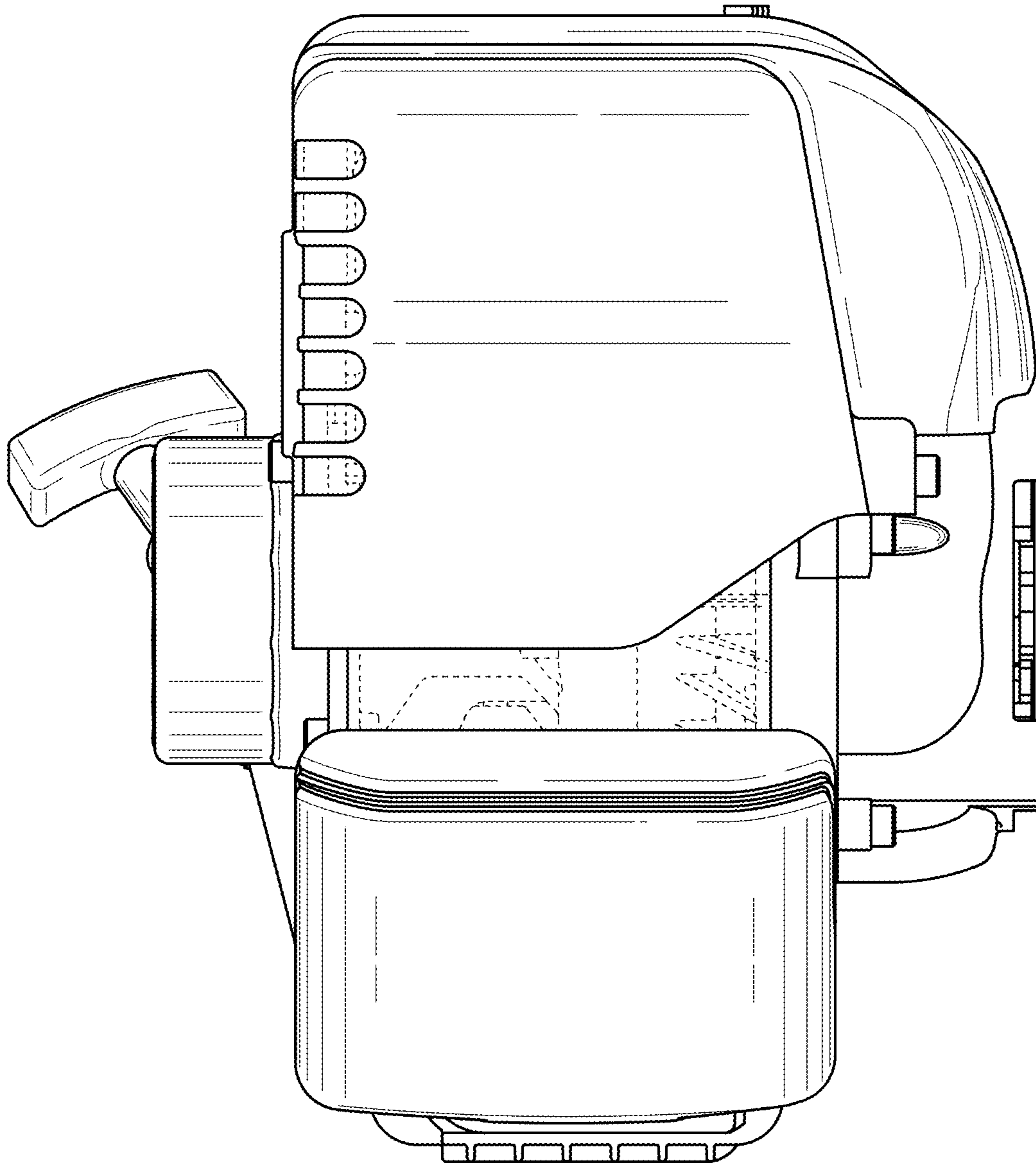


FIG. 6

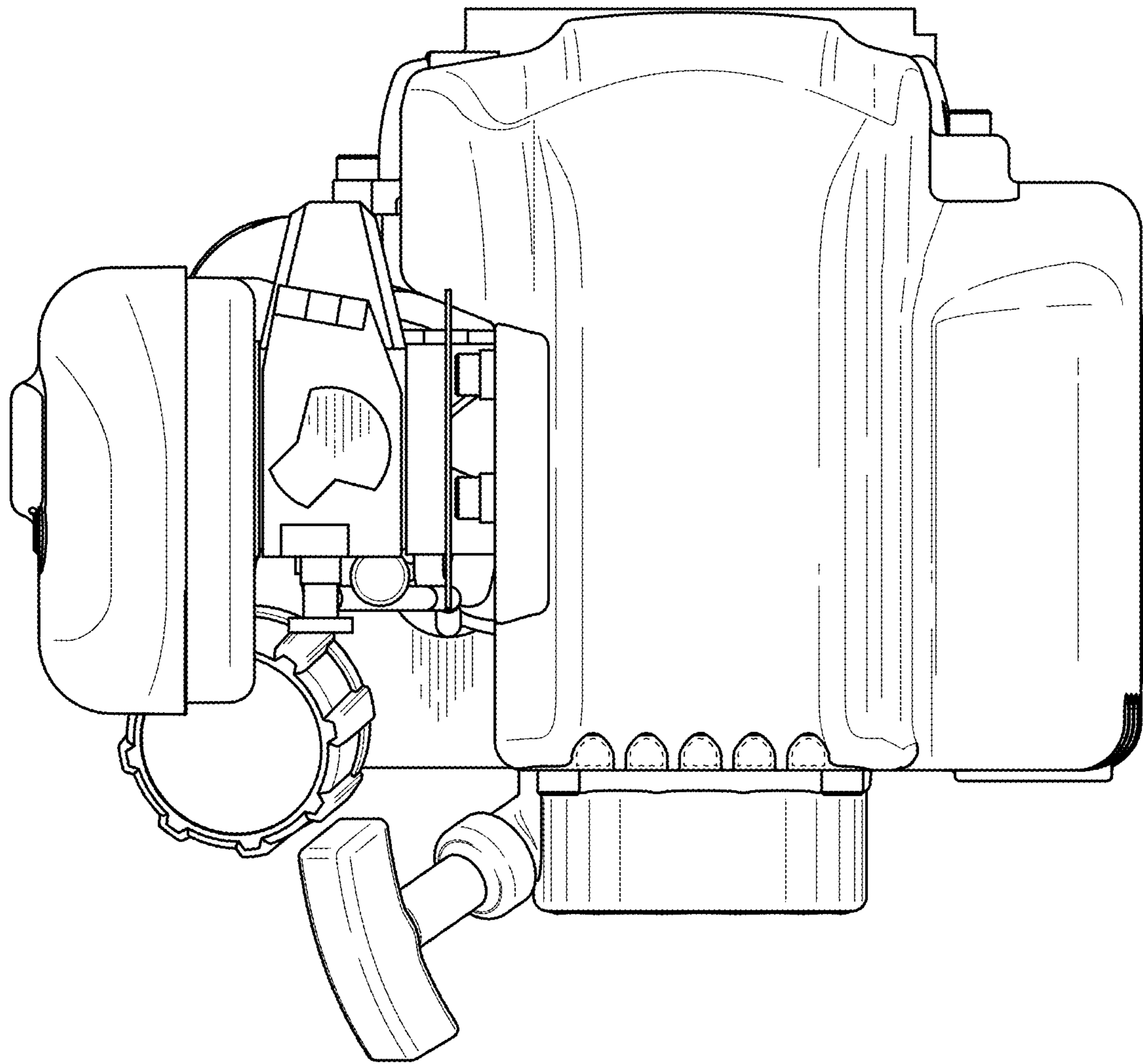


FIG. 7

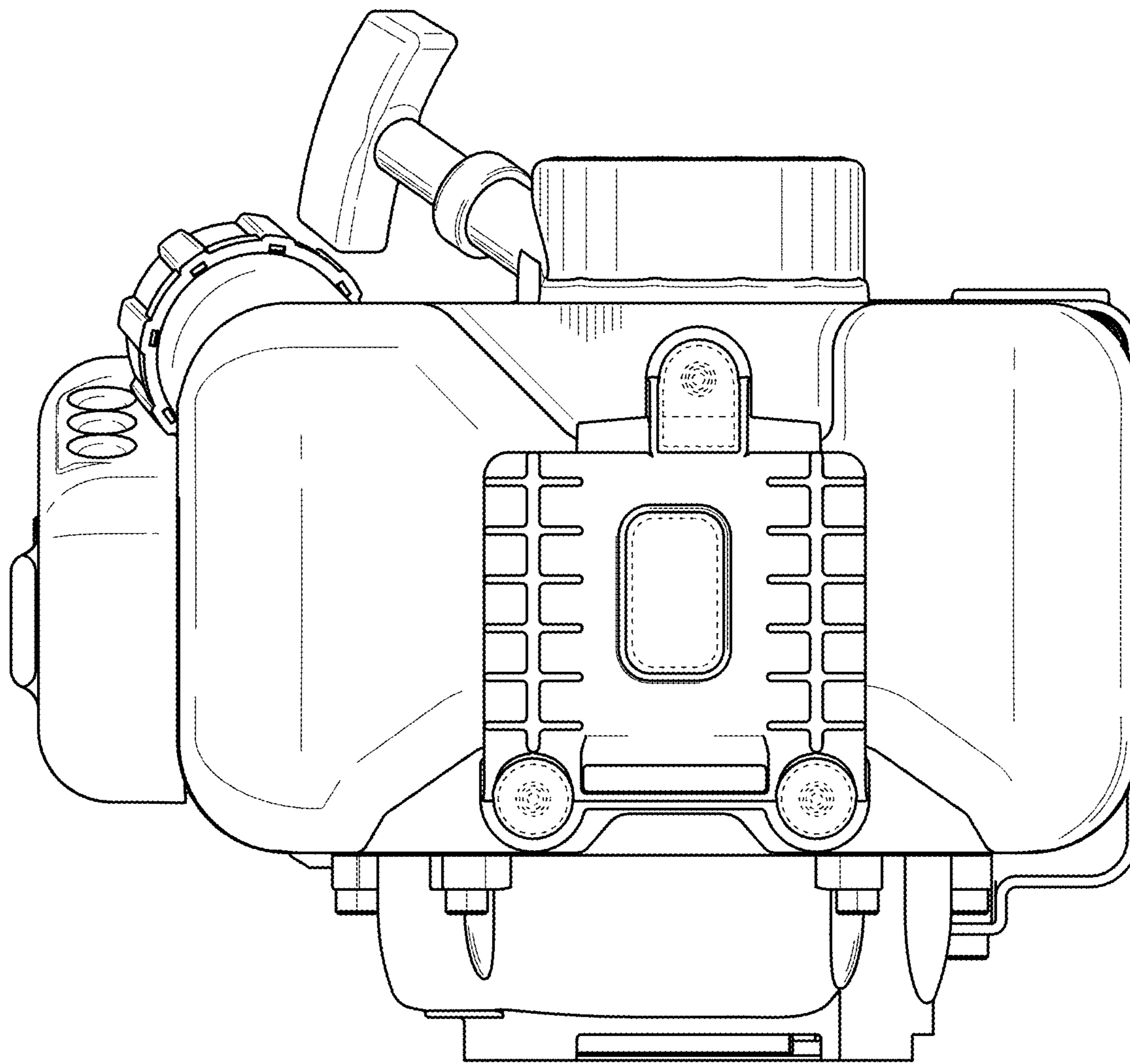


FIG. 8