



US00D952679S

(12) **United States Design Patent** (10) **Patent No.:** **US D952,679 S**
Jansen et al. (45) **Date of Patent:** **** May 24, 2022**

(54) **DISPLAY SCREEN OR PORTION THEREOF WITH ANIMATED GRAPHICAL USER INTERFACE**

FOREIGN PATENT DOCUMENTS

WO D207363-011 * 8/2020

(71) Applicant: **KONINKLIJKE PHILIPS N.V.**,
Eindhoven (NL)

OTHER PUBLICATIONS

(72) Inventors: **Johannes Antonius Jansen**, Utrecht (NL); **Riccardo Vescovo**, Amsterdam (NL)

Greenspan, Vince "Braun Series 9 9090cc Electric Shaver Review" Jun. 21, 2017, ShaverInsider, site visited May 22, 2021: <https://www.shaverinsider.com/braun-series-9-9090cc-electric-shaver-review/> (Year: 2017).*

(73) Assignee: **KONINKLIJKE PHILIPS N.V.**,
Eindhoven (NL)

(Continued)

(**) Term: **15 Years**

Primary Examiner — Jack Reickel
Assistant Examiner — Christopher M Spivey

(21) Appl. No.: **29/726,211**

(57) **CLAIM**

(22) Filed: **Mar. 2, 2020**

The ornamental design for a display screen or portion thereof with animated graphical user interface, as shown and described.

(30) **Foreign Application Priority Data**

DESCRIPTION

Sep. 2, 2019 (EM) 006809182

(51) **LOC (13) Cl.** **14-04**

(52) **U.S. Cl.**
USPC **D14/489**

(58) **Field of Classification Search**
USPC D14/485-495
CPC H04N 21/4312; H04N 21/478; H04N 5/23293; B26B 19/388; B26B 19/3873; A63B 24/00; G06F 17/211; G06F 17/212; G06F 3/048; G06F 3/0481; G06F 3/04817; G06F 3/0482; G06F 3/0483; G06F

FIG. 1 is a front view of a first embodiment showing a first image in a sequence of a display screen or portion thereof with animated graphical user interface; FIG. 2 is a front view of a second image thereof; FIG. 3 is a front view of a third image thereof; FIG. 4 is a front view of a fourth image thereof; FIG. 5 is a front view of a fifth image thereof; FIG. 6 is a front view of a sixth image thereof; and, FIG. 7 is a front view of a seventh image thereof.

The appearance of the animated graphical user interface sequentially transitions between the images shown in FIGS. 1-7. The process or period in which an image transitions to another image forms no part of the claimed design.

The outer line showing of a device is for the purpose of illustrating environmental structure and forms no part of the claimed design. All other broken line showing of the display screen or portion thereof with animated graphical user interface is for the purpose of illustrating portions of the article and forms no part of the claimed design.

(Continued)

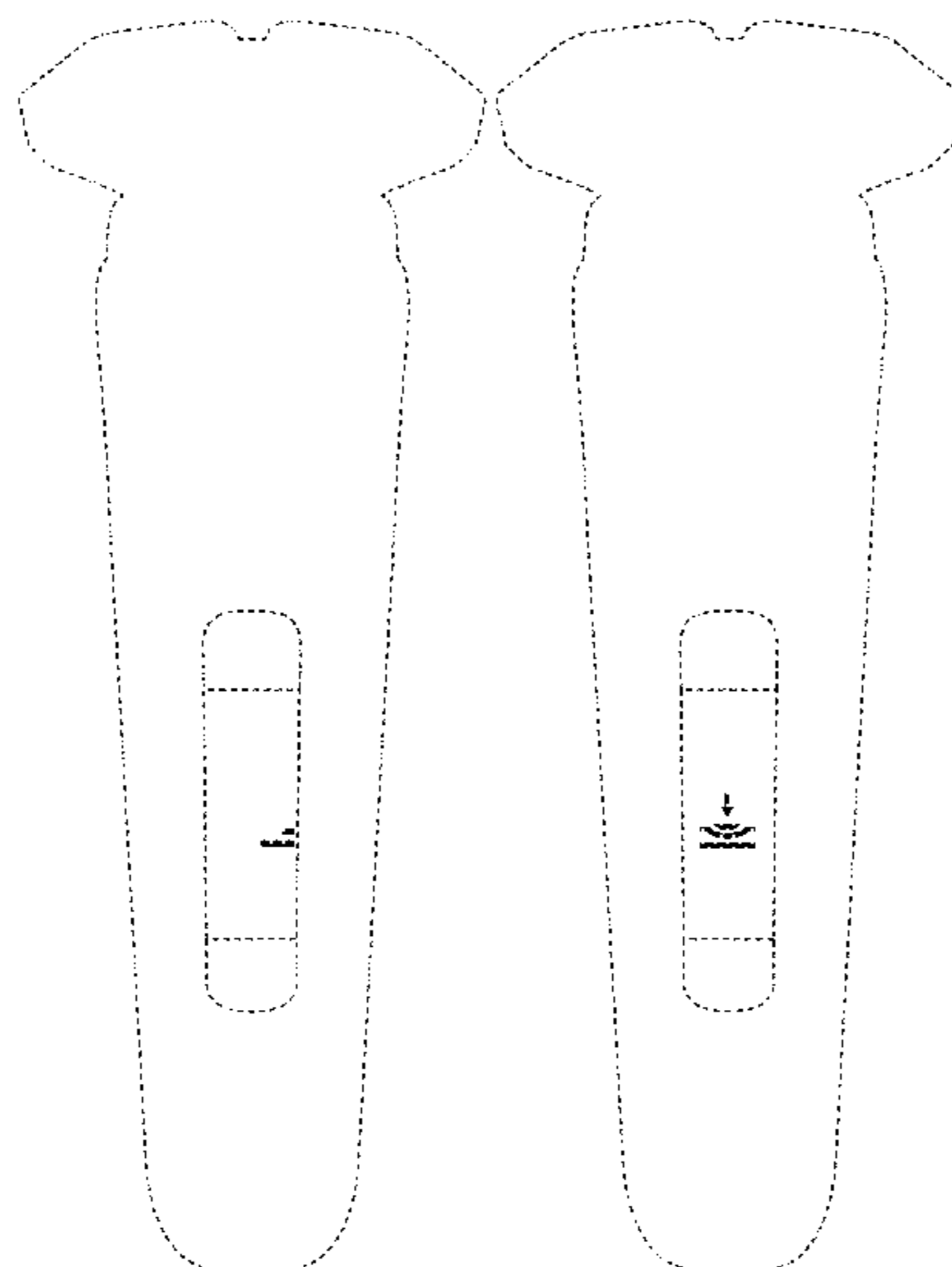
(56) **References Cited**

U.S. PATENT DOCUMENTS

D296,218 S * 6/1988 Wells-Papanek D14/493
D594,873 S * 6/2009 Onodera D14/488

(Continued)

1 Claim, 7 Drawing Sheets



(58) **Field of Classification Search**

CPC 3/04842; G06F 3/0485; G06F 3/04855;
 G06F 3/0486; G06F 3/0488; G06F
 3/04886; G06F 9/4443; G06F 1/163;
 G06F 1/3265; A46B 15/001; A45D
 44/005; G06T 7/0014; H04M 1/0268;
 H04M 1/72427

See application file for complete search history.

D889,483 S * 7/2020 Amini D14/485
 D894,223 S * 8/2020 Paul D14/488
 D898,766 S * 10/2020 Boltz D14/488
 D900,156 S * 10/2020 Huh D14/490
 D914,745 S * 3/2021 Groce D14/488
 D916,112 S * 4/2021 Ilic D14/486
 D916,790 S * 4/2021 Yan D14/486
 D916,792 S * 4/2021 Yan D14/486
 D917,499 S * 4/2021 Rando D14/485
 2017/0360538 A1 * 12/2017 Luo A61C 17/221
 2018/0085953 A1 * 3/2018 Perez Lopez B26B 19/042

(56) **References Cited**

U.S. PATENT DOCUMENTS

D608,789 S * 1/2010 Kaczmarek D14/488
 D739,417 S * 9/2015 Laverack D14/485
 D758,424 S * 6/2016 Ding D14/488
 D761,317 S * 7/2016 Tursi D14/493
 D761,855 S * 7/2016 Oh D14/491
 D767,624 S * 9/2016 Lee D14/488
 D771,116 S * 11/2016 Dellinger D14/487
 D803,872 S * 11/2017 Cole D14/488
 D824,420 S * 7/2018 Dellinger D14/489
 D831,698 S * 10/2018 Fornoff D14/492
 D851,122 S * 6/2019 Shu D14/488
 D864,246 S * 10/2019 Park D14/491
 D867,600 S * 11/2019 Augustyn D24/186
 D868,827 S * 12/2019 Kwiatkowski D14/489
 D875,133 S * 2/2020 Wang D14/488
 D879,141 S * 3/2020 Voiles D14/489
 D883,311 S * 5/2020 Lepine D14/486

OTHER PUBLICATIONS

“Philips Shaver Series 7000—GroomTribe App” Dec. 4, 2019, YouTube, site visited Jun. 2, 2021: <https://www.youtube.com/watch?v=ldiD1k6mnjQ> (Year: 2019).*

“Garmin Vivosmart HR+” Oct. 1, 2017, GoodHousekeeping, site visited May 22, 2021: <https://www.goodhousekeeping.com/uk/product-reviews/tech/a676230/garmin-vivosmart-hr/> (Year: 2017).*

Iker, Aaron “Download button” Dec. 23, 2019, Dribbble, site visited Oct. 28, 2021: <https://dribbble.com/shots/9143098-Download-button> (Year: 2019).*

“Elastic Icon” Sep. 27, 2018, DepositPhotos, site visited Oct. 28, 2021: <https://depositphotos.com/216873078/stock-illustration-elastic-icon-elastic-concept-symbol.html> (Year: 2018).*

“Compression Icon” Dec. 12, 2018, IconScout, site visited Oct. 28, 2021: <https://iconscout.com/icon/compression-15> (Year: 2018).*

* cited by examiner

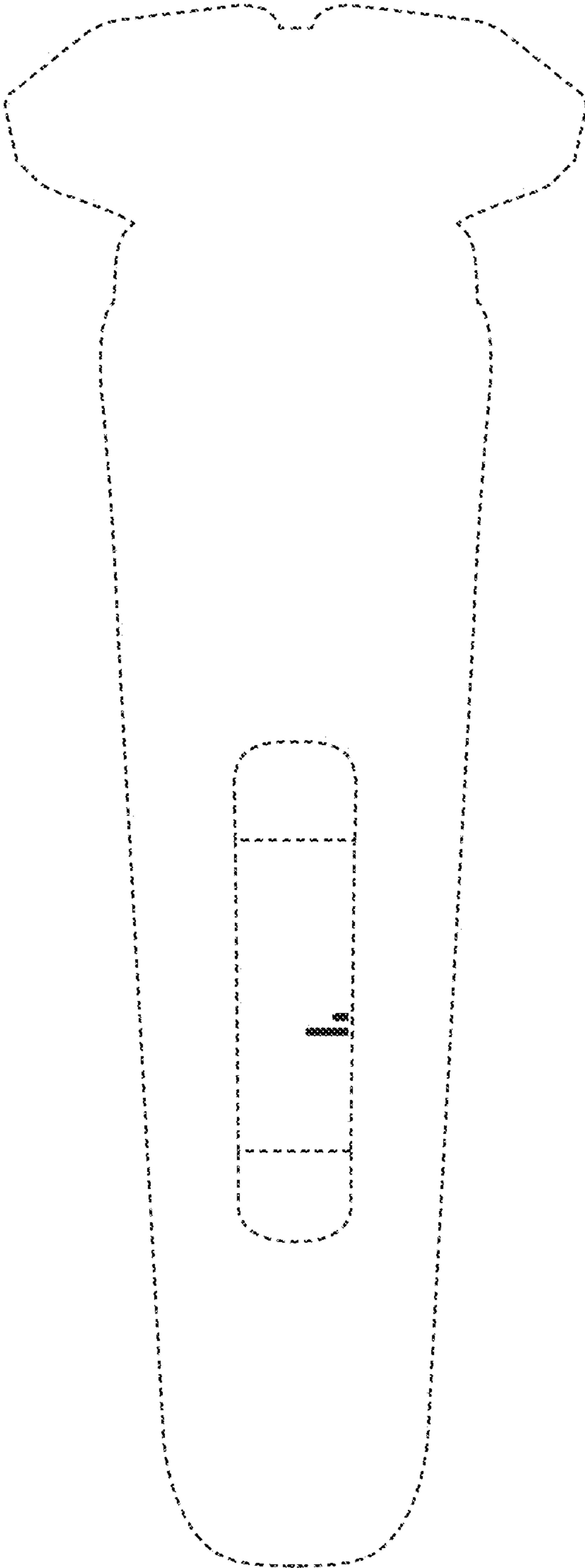


FIG. 1

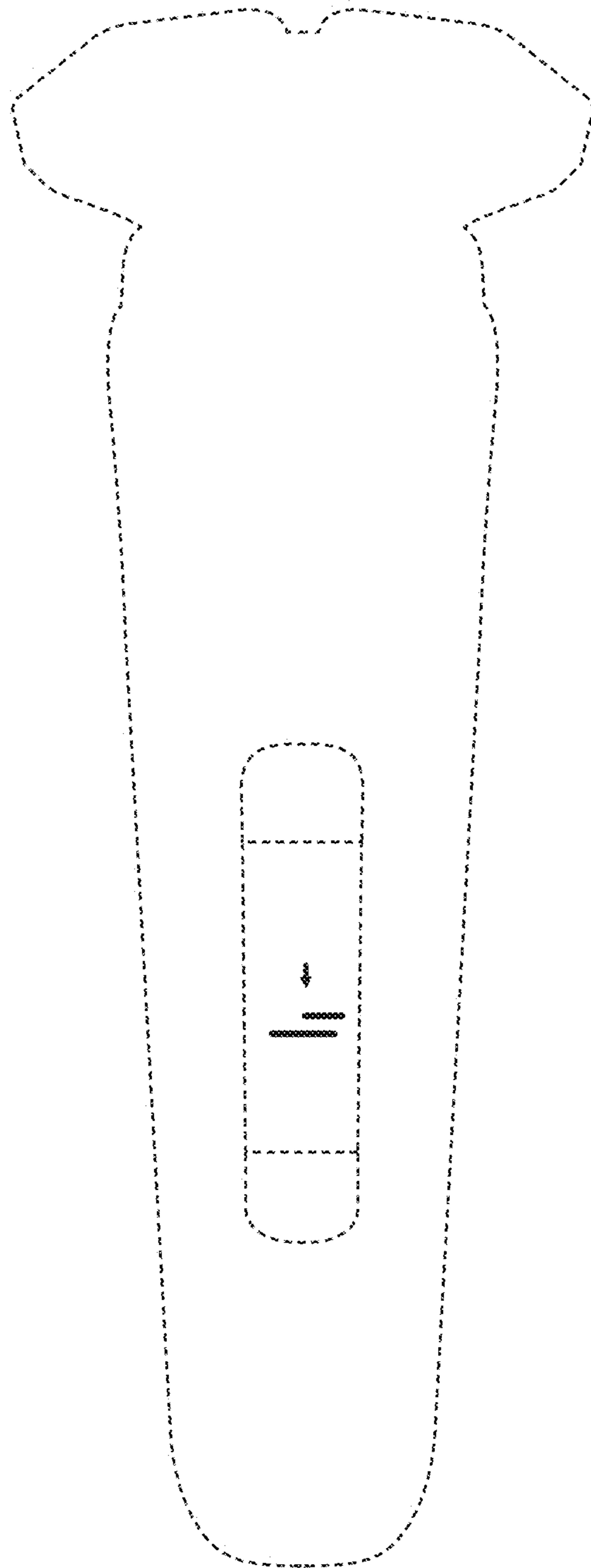


FIG. 2

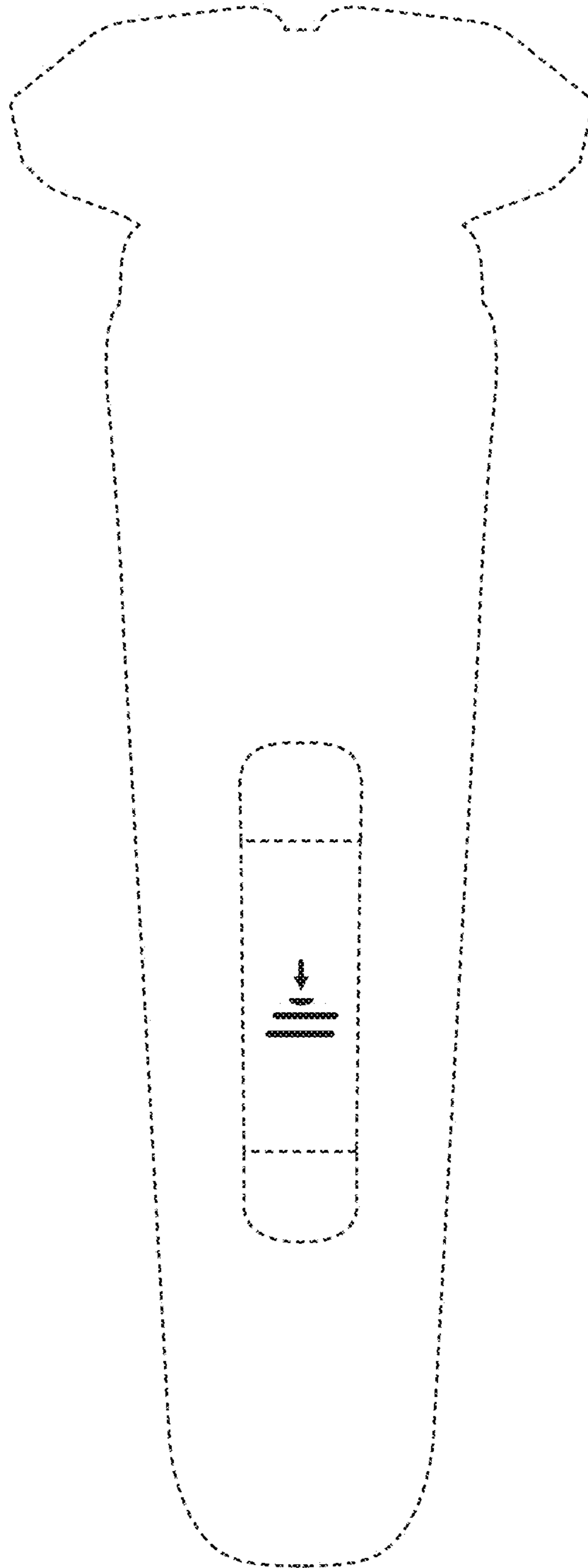


FIG. 3

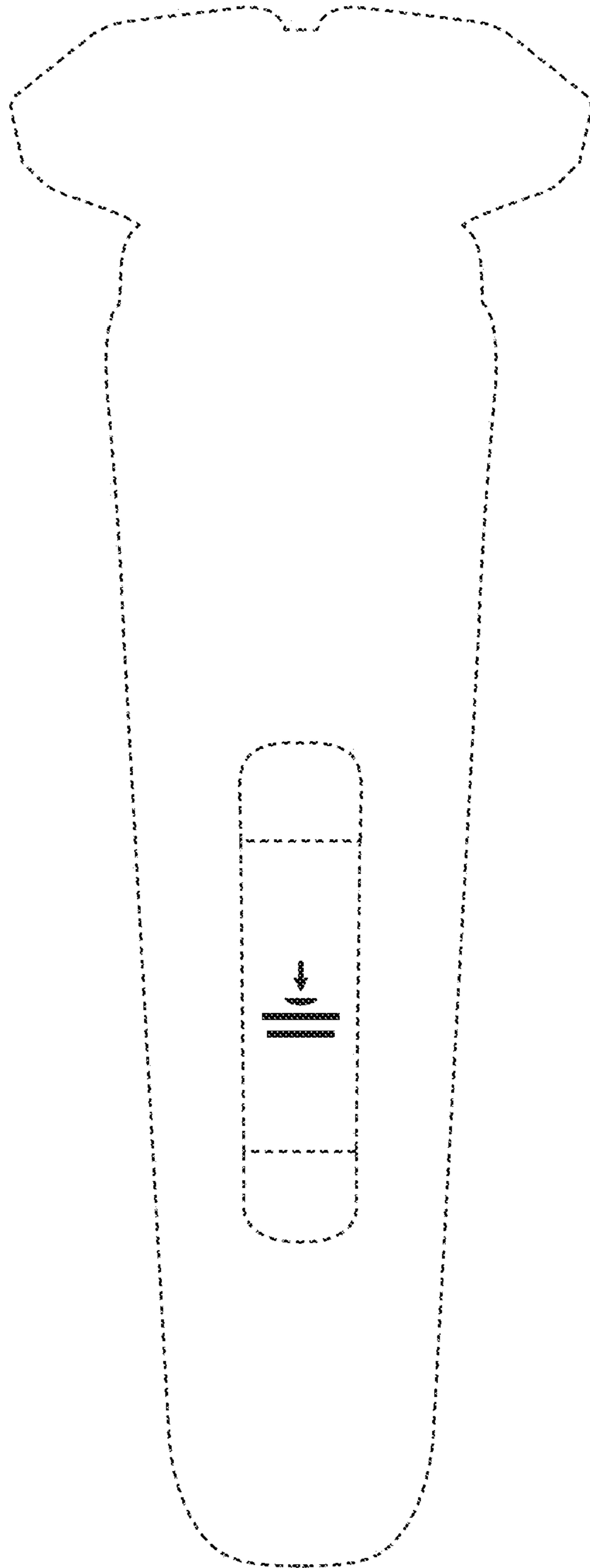


FIG. 4

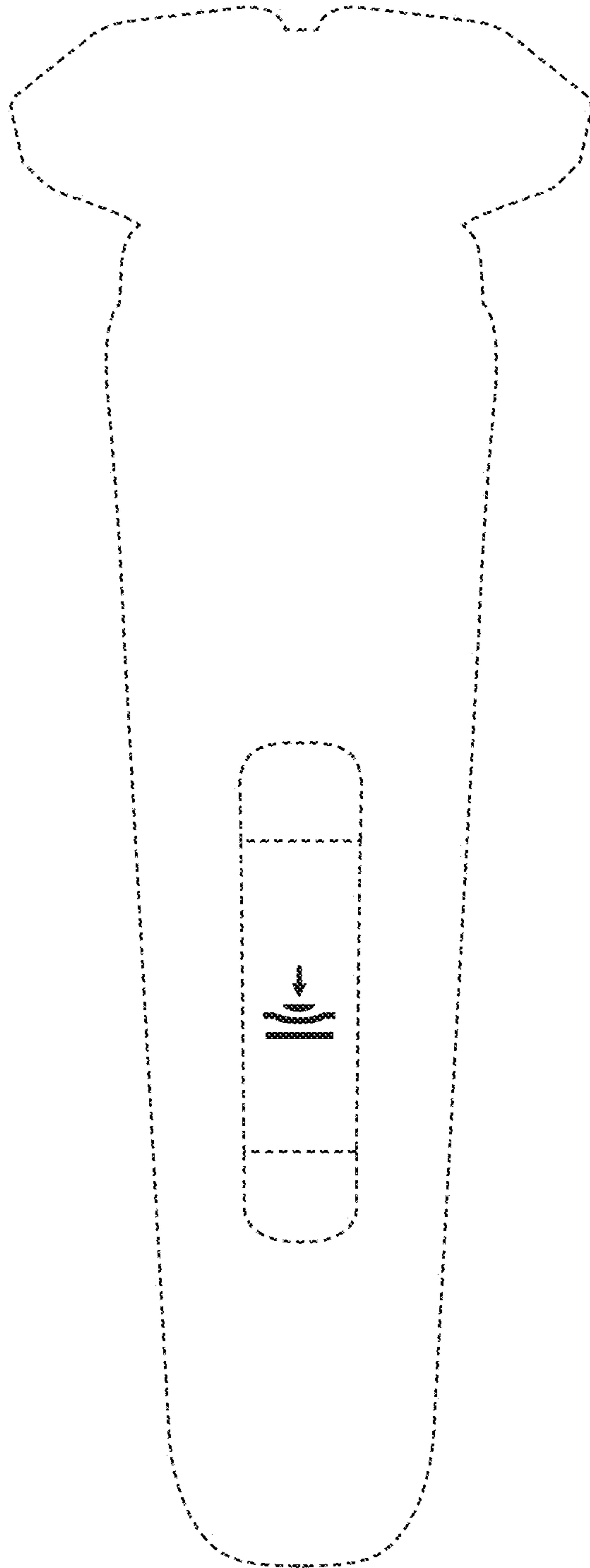


FIG. 5

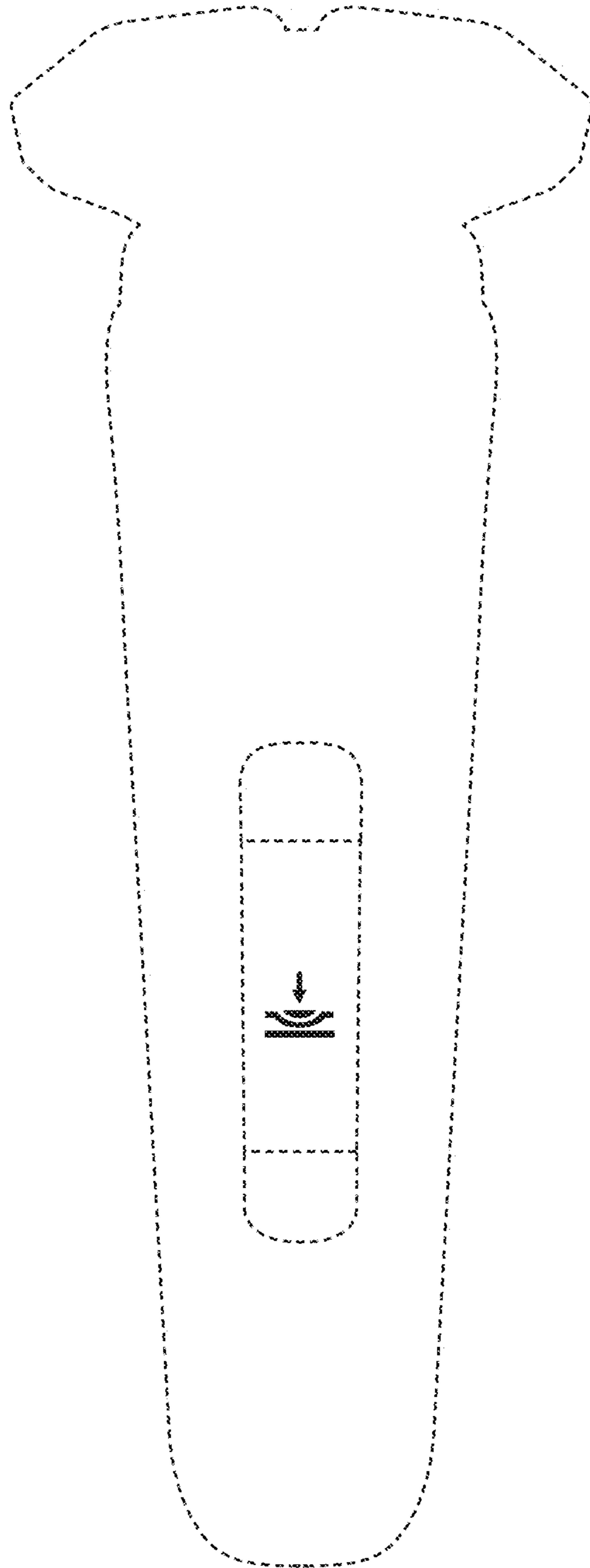


FIG. 6

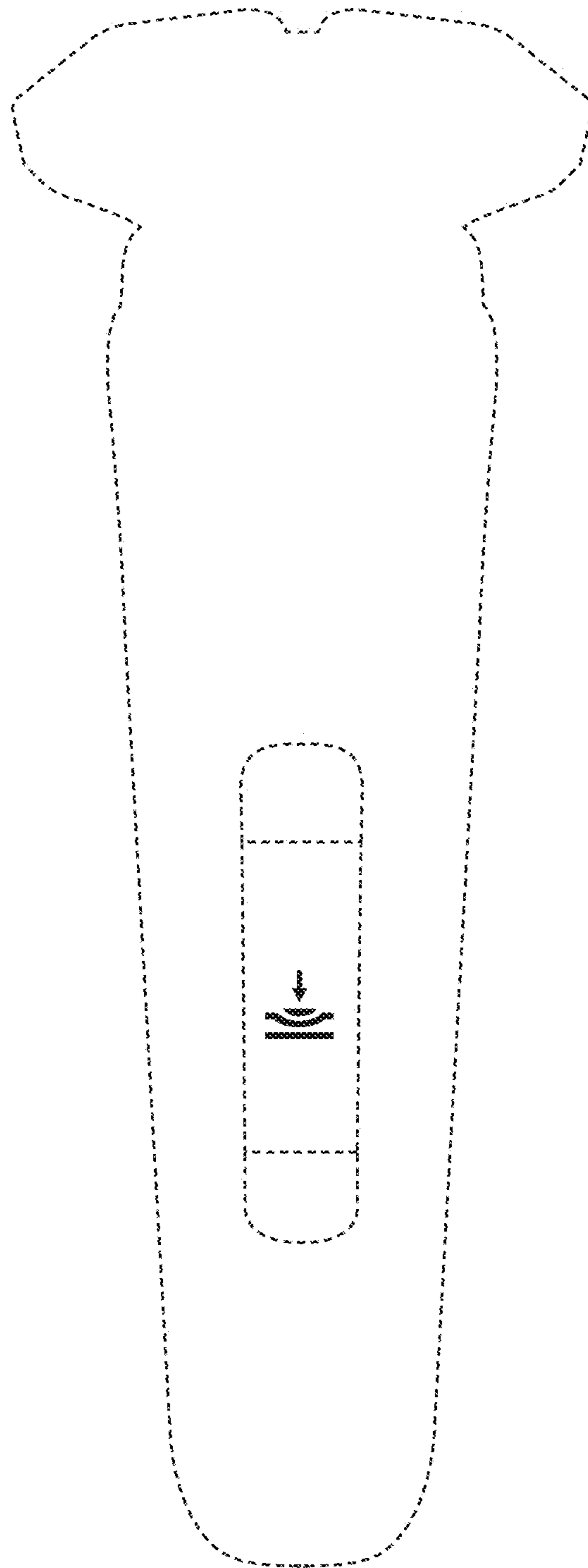


FIG. 7