



US00D952674S

(12) **United States Design Patent**
Lynch et al.

(10) **Patent No.:** **US D952,674 S**
(45) **Date of Patent:** **** May 24, 2022**

(54) **DISPLAY PANEL PORTION WITH AN ANIMATED COMPUTER ICON**

D672,365 S * 12/2012 Chang D14/486
8,366,680 B2 * 2/2013 Raab A61M 5/31585
604/211
8,376,987 B2 * 2/2013 Kuhn A61M 5/284
604/82

(71) Applicant: **Sanofi**, Paris (FR)

(Continued)

(72) Inventors: **Timothy Lynch**, Reading, MA (US);
Lillian Krieger, Boston, MA (US)

OTHER PUBLICATIONS

(73) Assignee: **Sanofi**, Paris (FR)

Autoinjector development, https://www.manufacturingchemist.com/news/article_page/Autoinjector_development/76465 (Year: 2012).*

(**) Term: **15 Years**

(Continued)

(21) Appl. No.: **29/744,625**

Primary Examiner — Melanie H Tung
Assistant Examiner — Darmawan Truong
(74) *Attorney, Agent, or Firm* — Fish & Richardson P.C.

(22) Filed: **Jul. 30, 2020**

(51) **LOC (13) Cl.** **14-04**

(52) **U.S. Cl.**
USPC **D14/488**

(58) **Field of Classification Search**
USPC D14/485–95
CPC G06F 3/48; G06F 3/0481; G06F 3/04812;
G06F 3/04815; G06F 3/04817; G06F
3/0482; G06F 3/0483; G06F 3/0484;
G06F 3/04842; G06F 3/04845; G06F
3/04847; G06F 3/0485; G06F 3/0486;
G06F 3/0487; G06F 3/0488; G06F
3/04883; G06F 3/04886

See application file for complete search history.

(57) **CLAIM**

The ornamental design for a display panel portion with an animated computer icon, substantially as shown and described.

DESCRIPTION

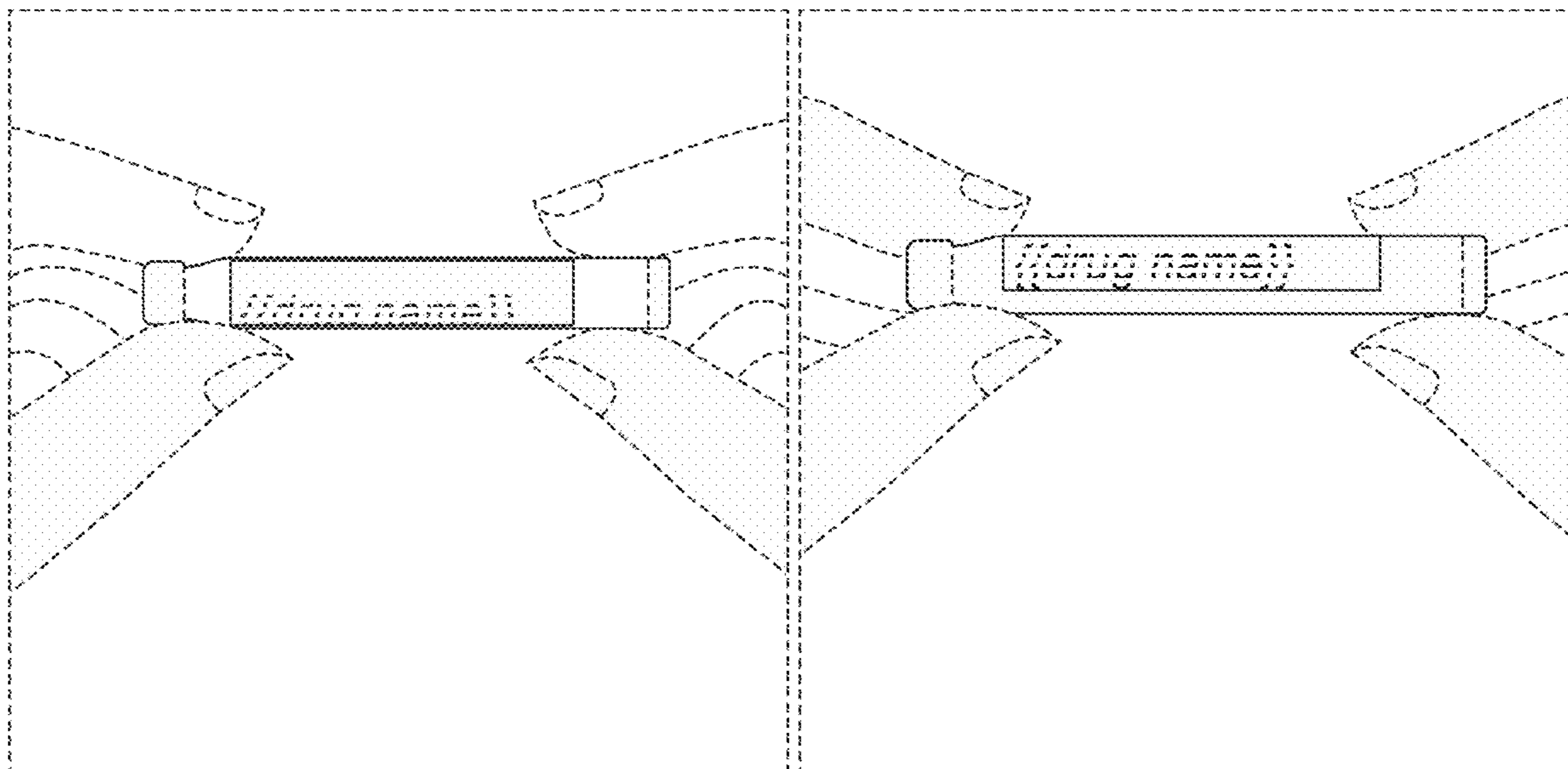
FIG. 1 is a first image in a sequence for the display panel portion with an animated computer icon.
FIG. 2 is second image in the sequence thereof.
FIG. 3 is a third image in the sequence thereof.
FIG. 4 is a fourth image in the sequence thereof.
FIG. 5 is a fifth image in the sequence thereof.
FIG. 6 is a sixth image in the sequence thereof.
FIG. 7 is a seventh image in the sequence thereof.
FIG. 8 is an eighth image in the sequence thereof; and,
FIG. 9 is a ninth image in the sequence thereof.
The appearance of the transitional image sequentially transitions between the images shown in FIGS. 1-9.
The process or period in which one image transitions to another forms no part of the claimed design.
The broken lines showing a display panel portion and portions of the animated computer icon in FIGS. 1-9 form no part of the claimed design.

(56) **References Cited**

U.S. PATENT DOCUMENTS

D390,839 S * 2/1998 Yamamoto D14/494
D395,878 S * 7/1998 Copeland D14/495
D399,837 S * 10/1998 Garguilo D14/486
D422,991 S * 4/2000 Regan, Jr. D14/493
D473,240 S * 4/2003 Cockerill D14/489
D549,724 S * 8/2007 Niijima D14/491
D549,725 S * 8/2007 Niijima D14/491
D561,780 S * 2/2008 Rimas-Ribikauskas D14/495
D659,711 S * 5/2012 Guss D14/495

1 Claim, 9 Drawing Sheets



(56)

References Cited

U.S. PATENT DOCUMENTS

8,460,245	B2 *	6/2013	Guillermo	A61M 5/2033
					604/135
8,512,297	B2 *	8/2013	Veasey	A61M 5/3157
					604/209
D723,061	S *	2/2015	Qin	D14/495
D727,967	S *	4/2015	Kim	D14/495
D753,669	S *	4/2016	Chen	D14/485
D772,257	S *	11/2016	Furutani	D14/486
D794,652	S *	8/2017	Wei	D14/485
D815,120	S *	4/2018	Watanabe	D14/485
D844,051	S *	3/2019	Dela Cruz	D18/43
D864,251	S *	10/2019	Wilkerson	D14/495
D890,788	S *	7/2020	Biberger	D14/486
D902,244	S *	11/2020	Kim	D14/488
2013/0338603	A1 *	12/2013	Roedle	A61J 1/1412
					604/199
2016/0120009	A1 *	4/2016	Aliakseyeu	G08C 17/02
					315/131

OTHER PUBLICATIONS

Autoinjectors Market Overview—IssueWire, <https://www.issuewire.com/autoinjectors-market-overview-strategy-types-growth-therapy-analysis-and-forecast-by-2030-1636670126174508> (Year: 2019).*

Sanofi-Soliqua Diabetes Insulin Pen, https://www.youtube.com/watch?v=_wTe4zNKbNY (Year: 2020).*

* cited by examiner

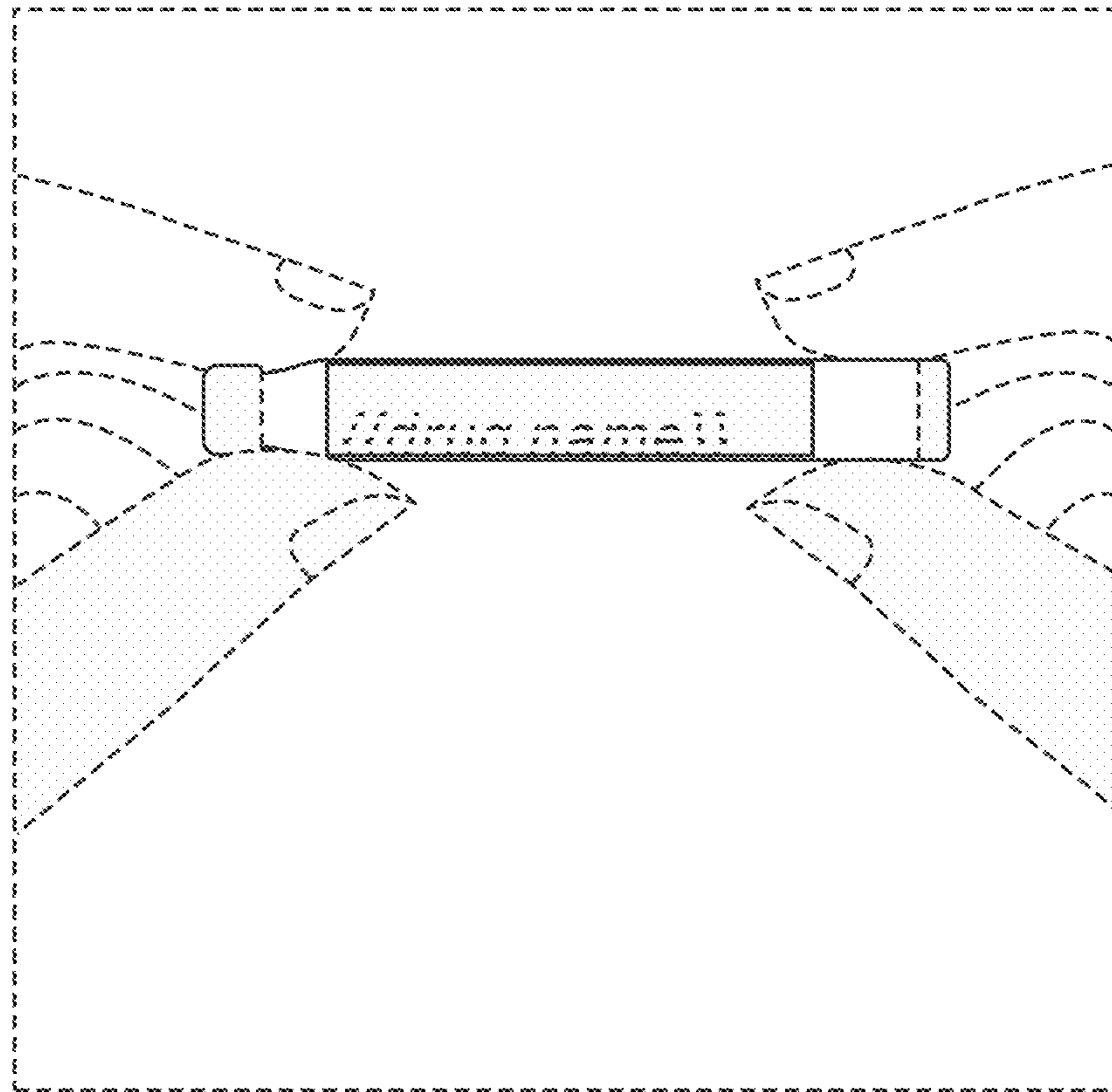


FIG. 1

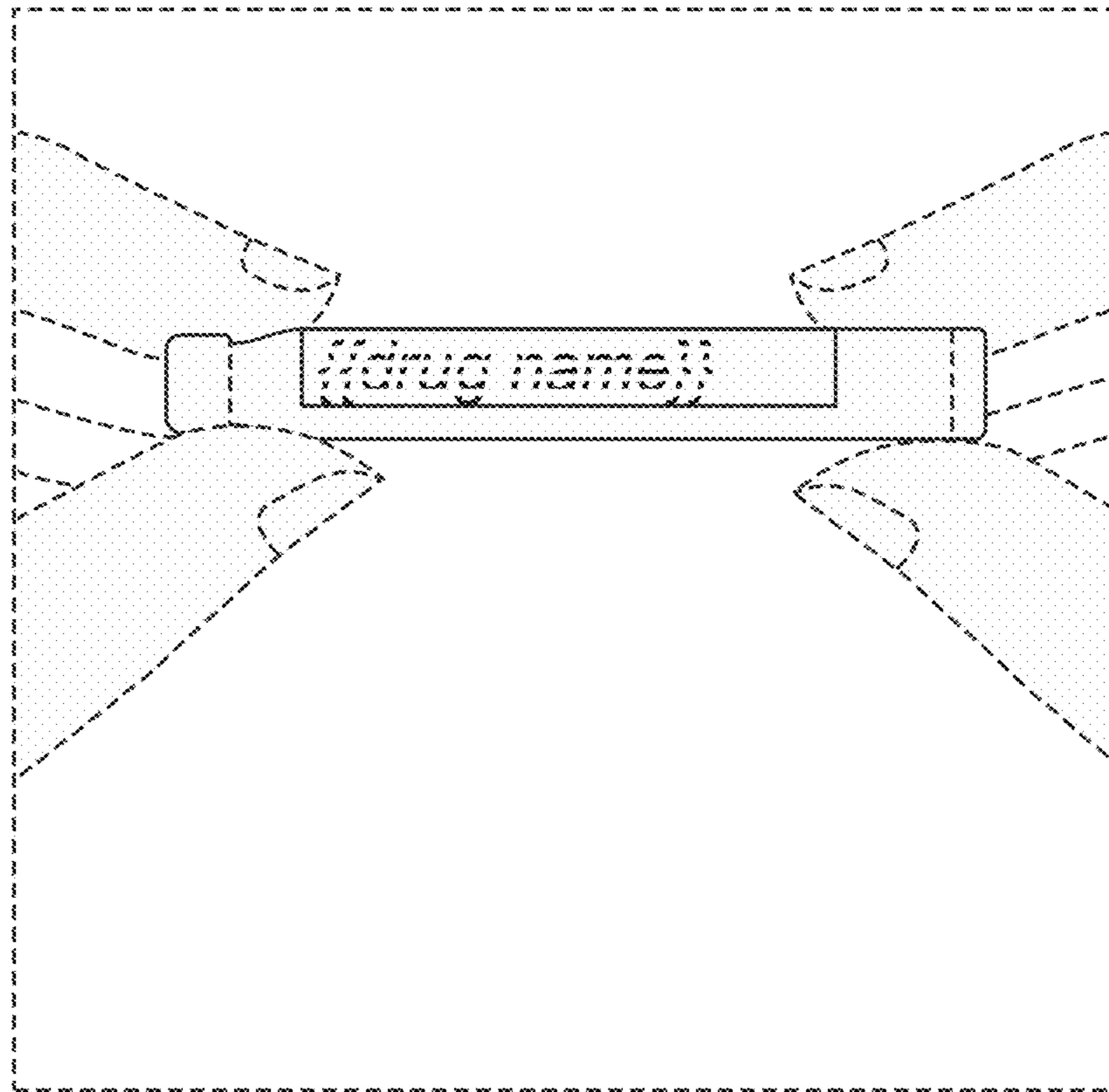


FIG. 2

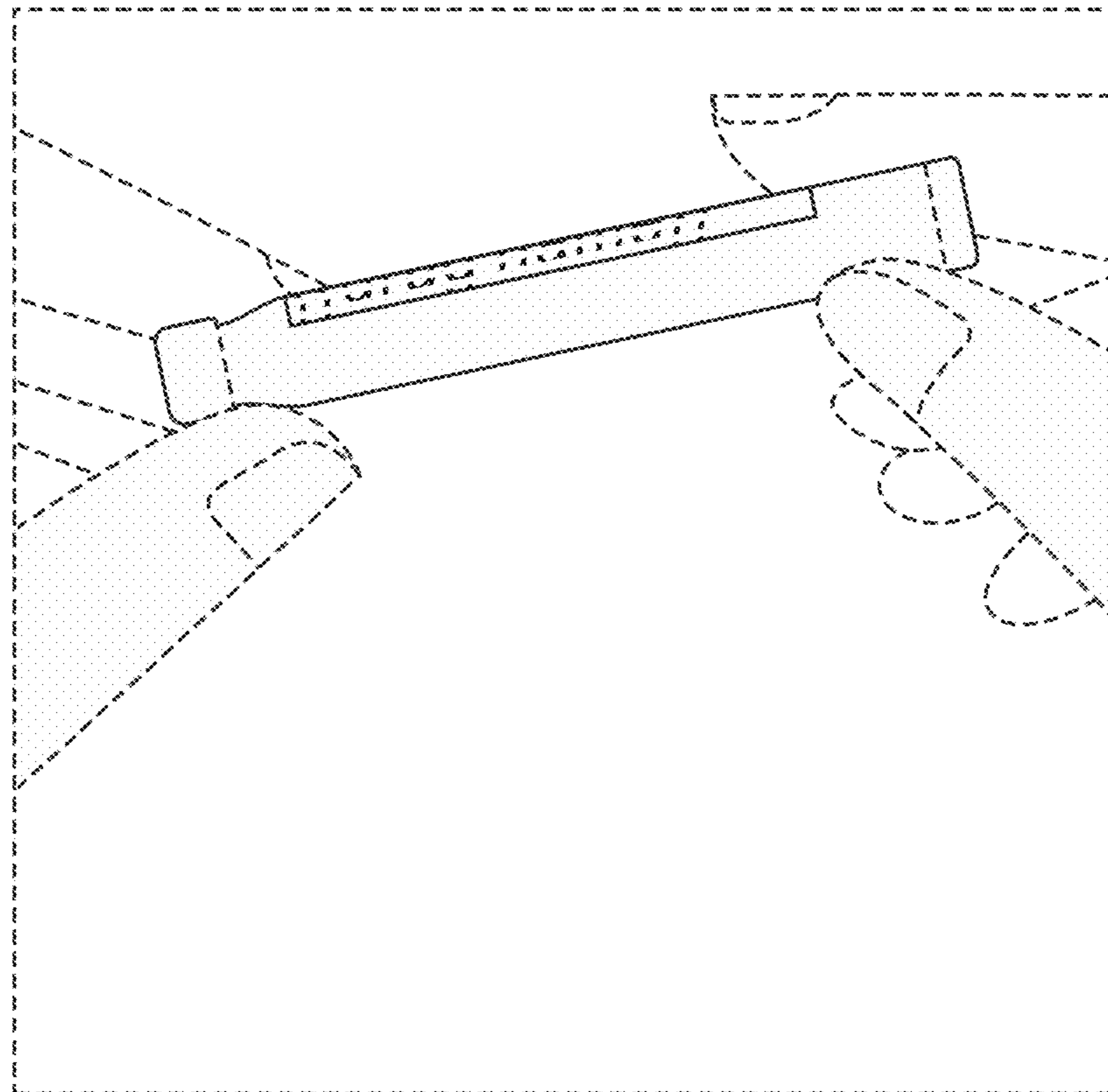


FIG. 3

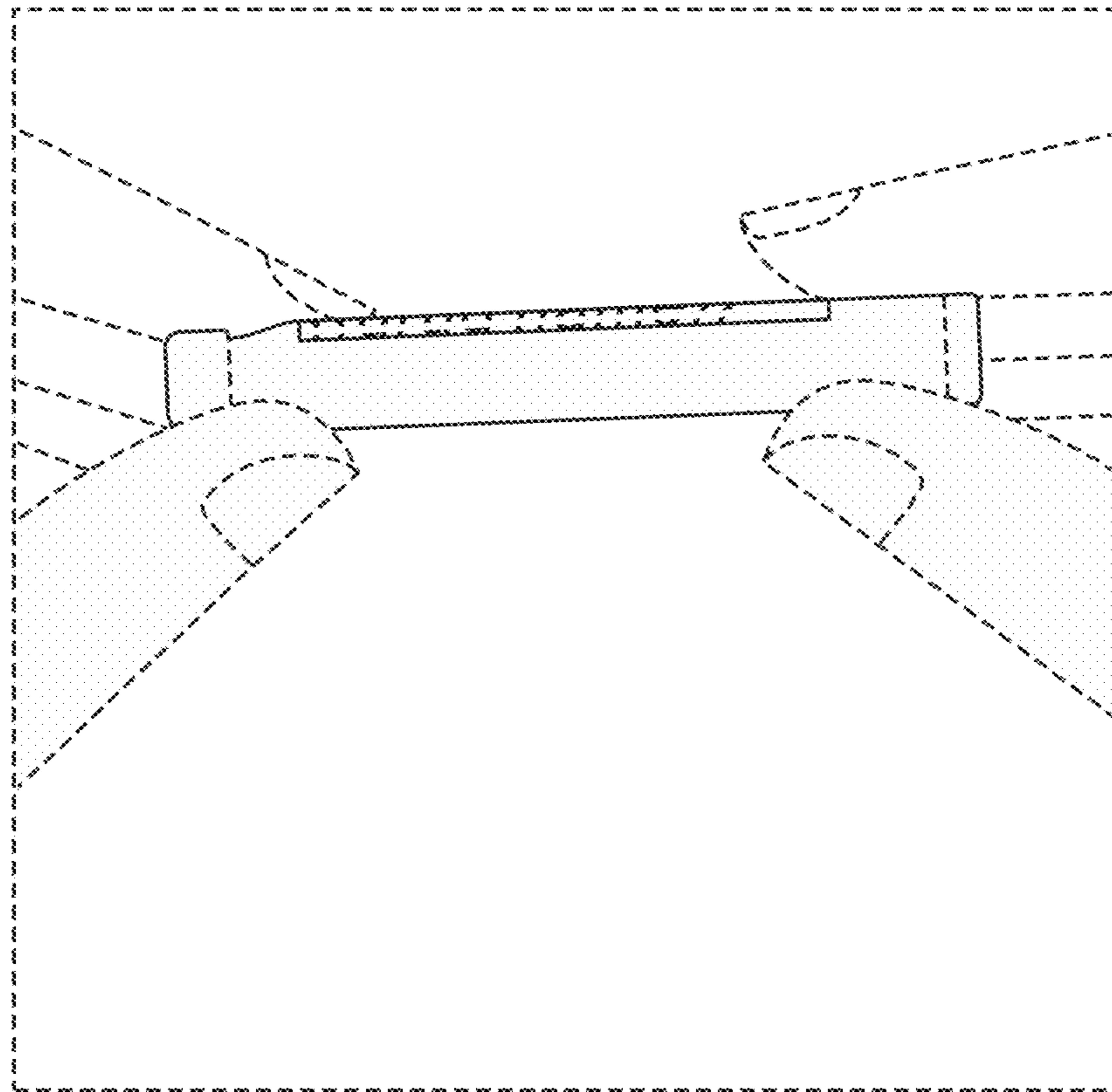


FIG. 4

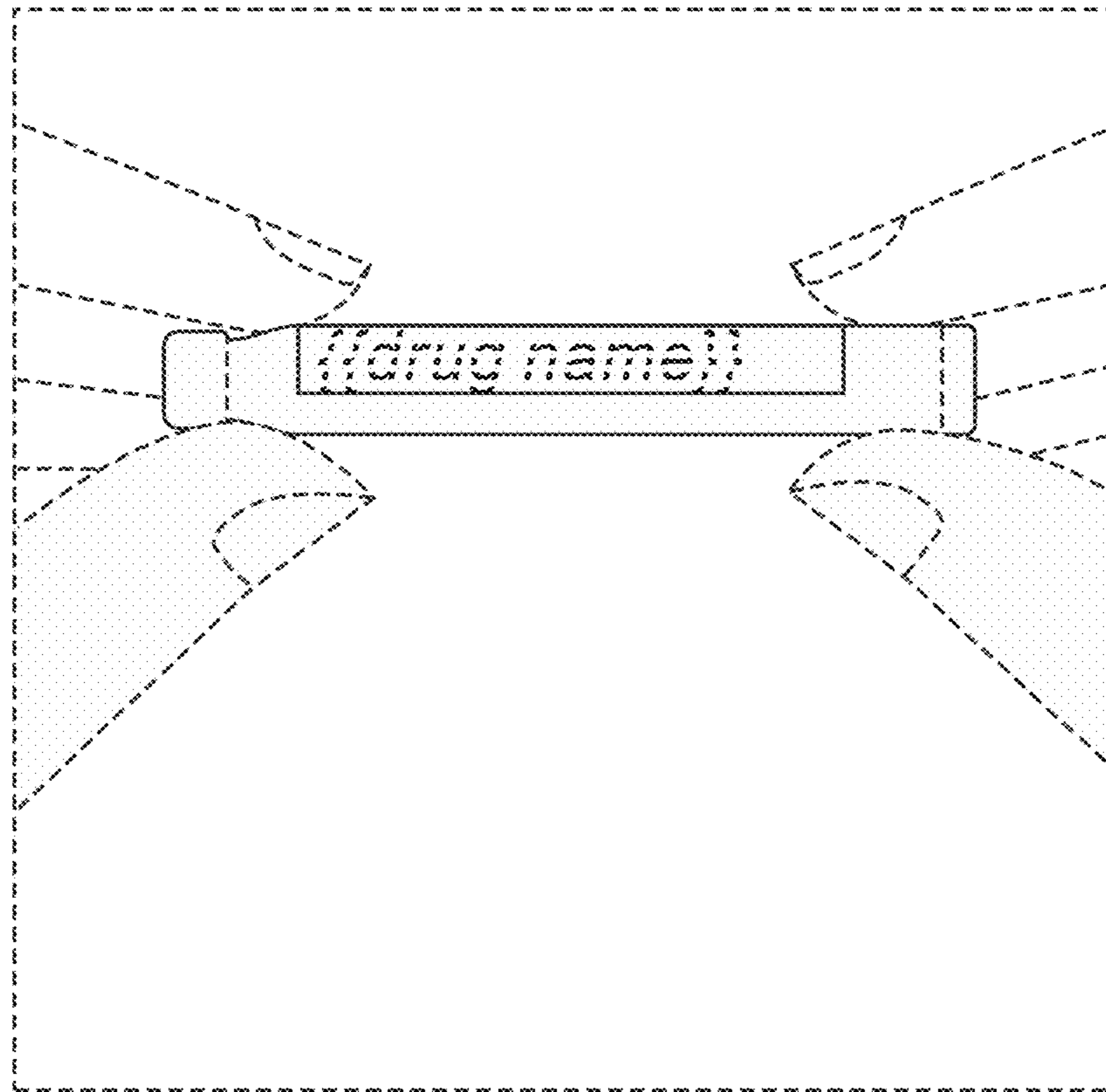


FIG. 5

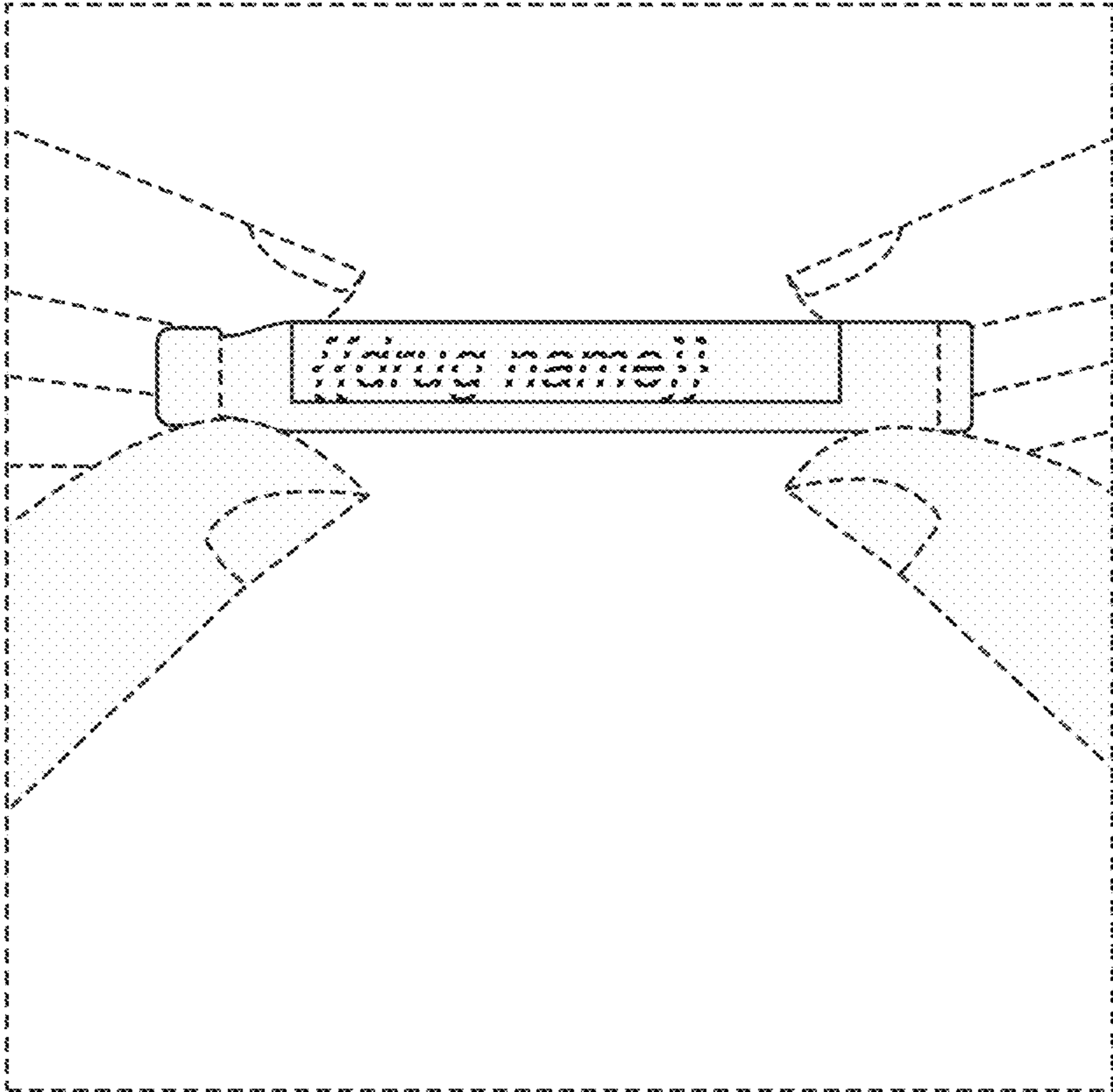


FIG. 6

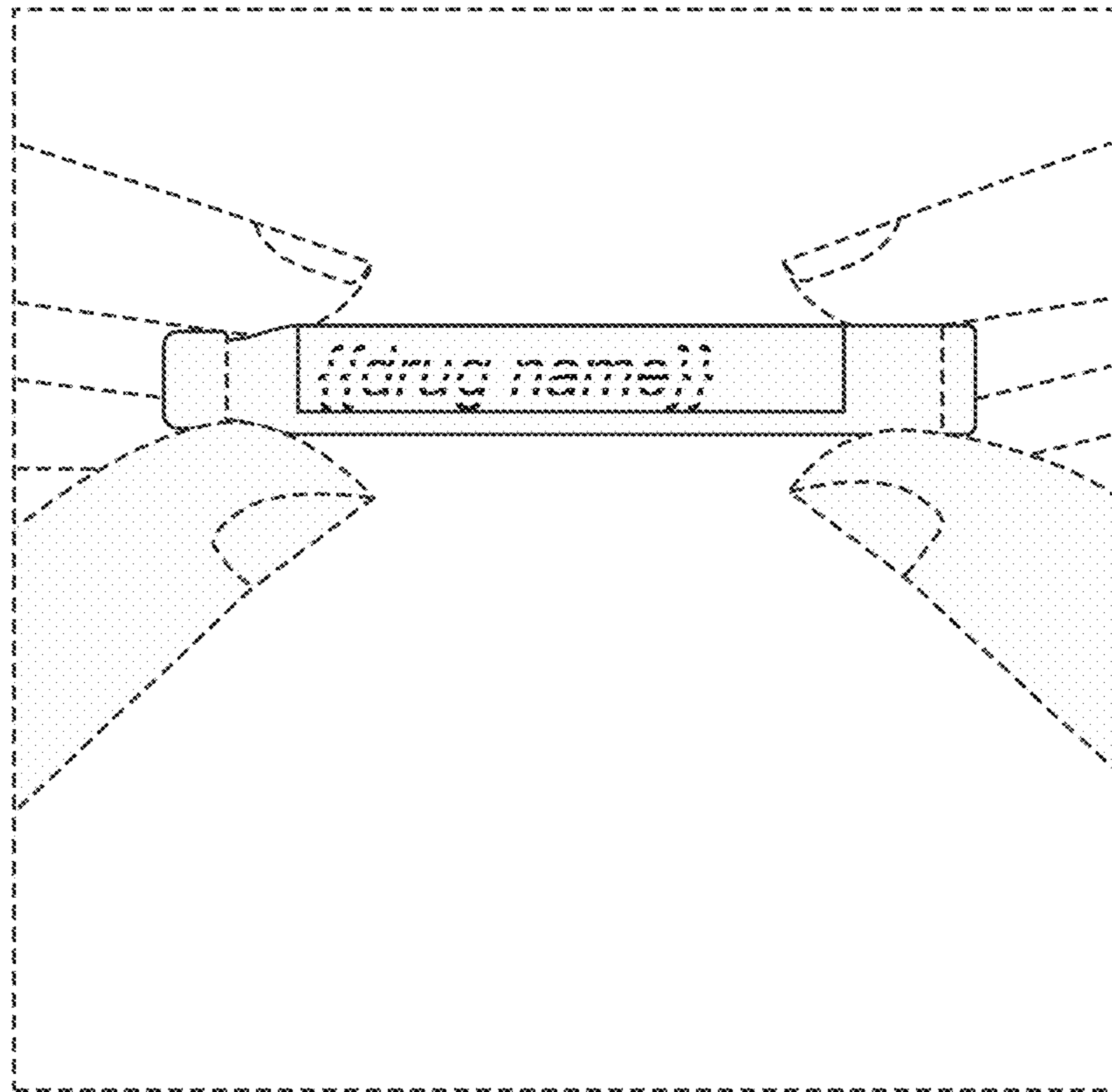


FIG. 7

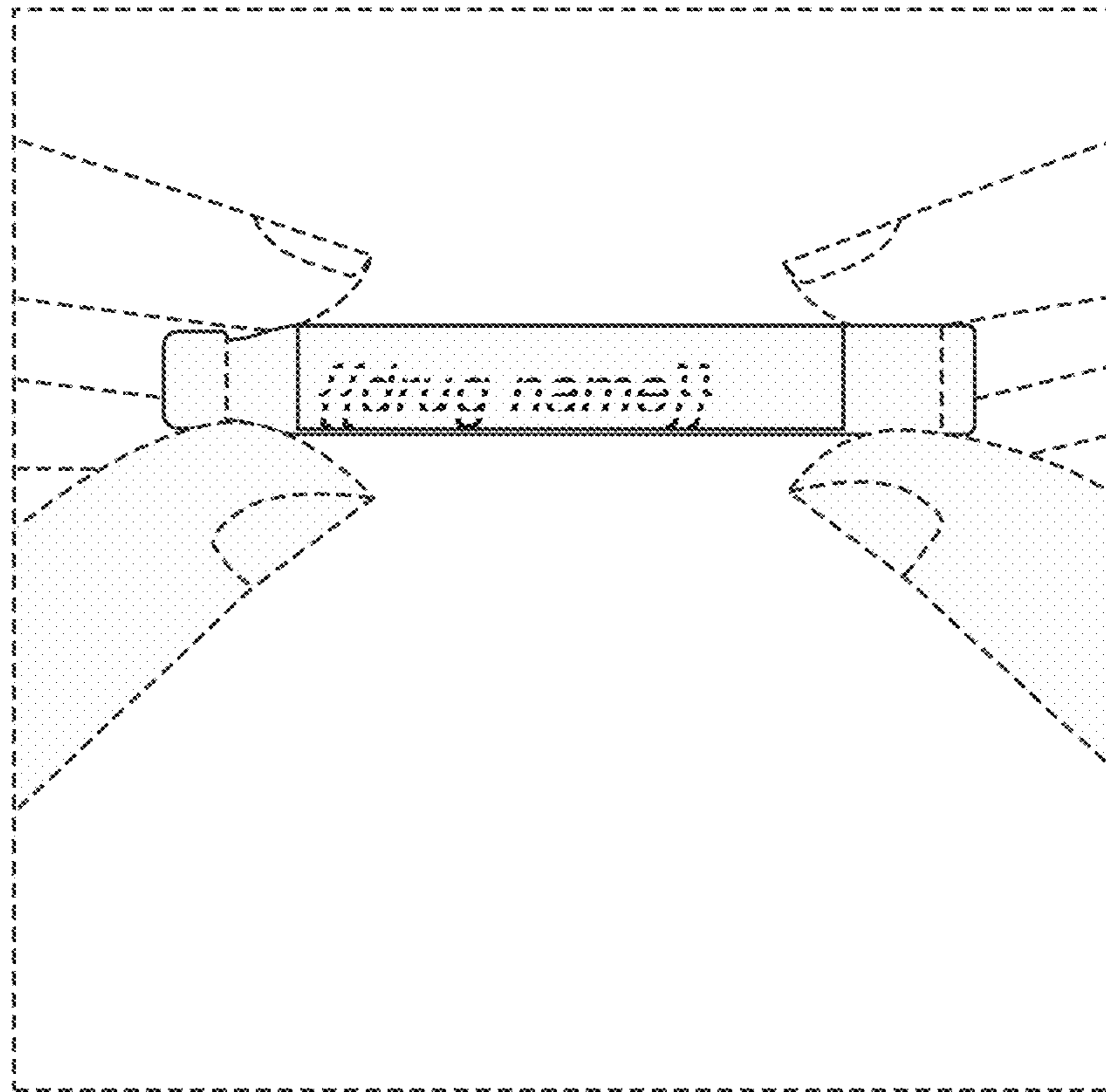


FIG. 8

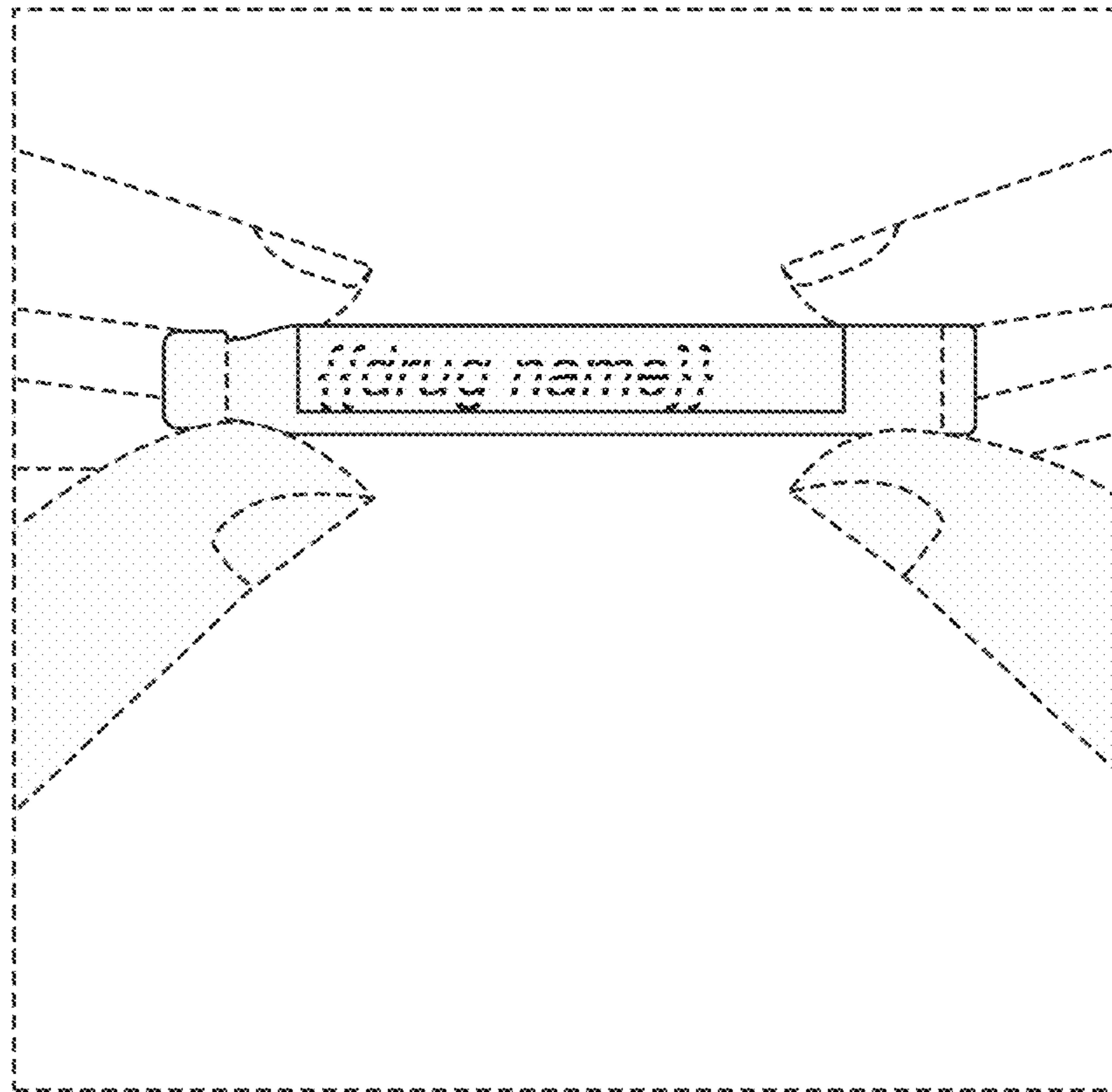


FIG. 9