



US00D952649S

(12) **United States Design Patent** (10) **Patent No.:** **US D952,649 S**
Jansen et al. (45) **Date of Patent:** **** May 24, 2022**

(54) **DISPLAY SCREEN OR PORTION THEREOF WITH ANIMATED GRAPHICAL USER INTERFACE**

BusinessInsider, site visited May 22, 2021: <https://www.businessinsider.com/lvl-fitness-band-tells-how-to-stay-hydrated-2016-9> (Year: 2016).*

(Continued)

(71) Applicant: **KONINKLIJKE PHILIPS N.V.**,
Eindhoven (NL)

Primary Examiner — Jack Reickel

Assistant Examiner — Christopher M Spivey

(72) Inventors: **Johannes Antonius Jansen**, Utrecht (NL); **Riccardo Vescovo**, Amsterdam (NL)

(73) Assignee: **KONINKLIJKE PHILIPS N.V.**,
Eindhoven (NL)

(**) Term: **15 Years**

(21) Appl. No.: **29/726,209**

(22) Filed: **Mar. 2, 2020**

(30) **Foreign Application Priority Data**

Sep. 2, 2019 (EM) 006807731

(51) **LOC (13) Cl.** **14-04**

(52) **U.S. Cl.**
USPC **D14/485**; D14/489

(58) **Field of Classification Search**
USPC D14/485-495; D10/50; D18/27;
D20/23; D24/186

(Continued)

(56) **References Cited**

U.S. PATENT DOCUMENTS

D127,348 S * 5/1941 Gayda D20/23
D602,035 S * 10/2009 Murchie D14/485

(Continued)

FOREIGN PATENT DOCUMENTS

CN 305198389 * 6/2019
CN 305981497 * 8/2020

OTHER PUBLICATIONS

Weller, Chris "A new fitness band can tell you exactly how dehydrated you are and how much water to drink" Sep. 14, 2016,

(57) **CLAIM**

The ornamental design for a display screen or portion thereof with animated graphical user interface, as shown and described.

DESCRIPTION

FIG. 1 is a front view of a first embodiment showing a first image in a sequence of a display screen or portion thereof with animated graphical user interface;

FIG. 2 is a front view of a second image thereof;

FIG. 3 is a front view of a third image thereof;

FIG. 4 is a front view of a fourth image thereof;

FIG. 5 is a front view of a fifth image thereof;

FIG. 6 is a front view of a sixth image thereof;

FIG. 7 is a front view of a seventh image thereof;

FIG. 8 is a front view of a second embodiment showing a first image in a sequence of a display screen or portion thereof with animated graphical user interface;

FIG. 9 is a front view of a second image thereof;

FIG. 10 is a front view of a third image thereof;

FIG. 11 is a front view of a fourth image thereof;

FIG. 12 is a front view of a fifth image thereof;

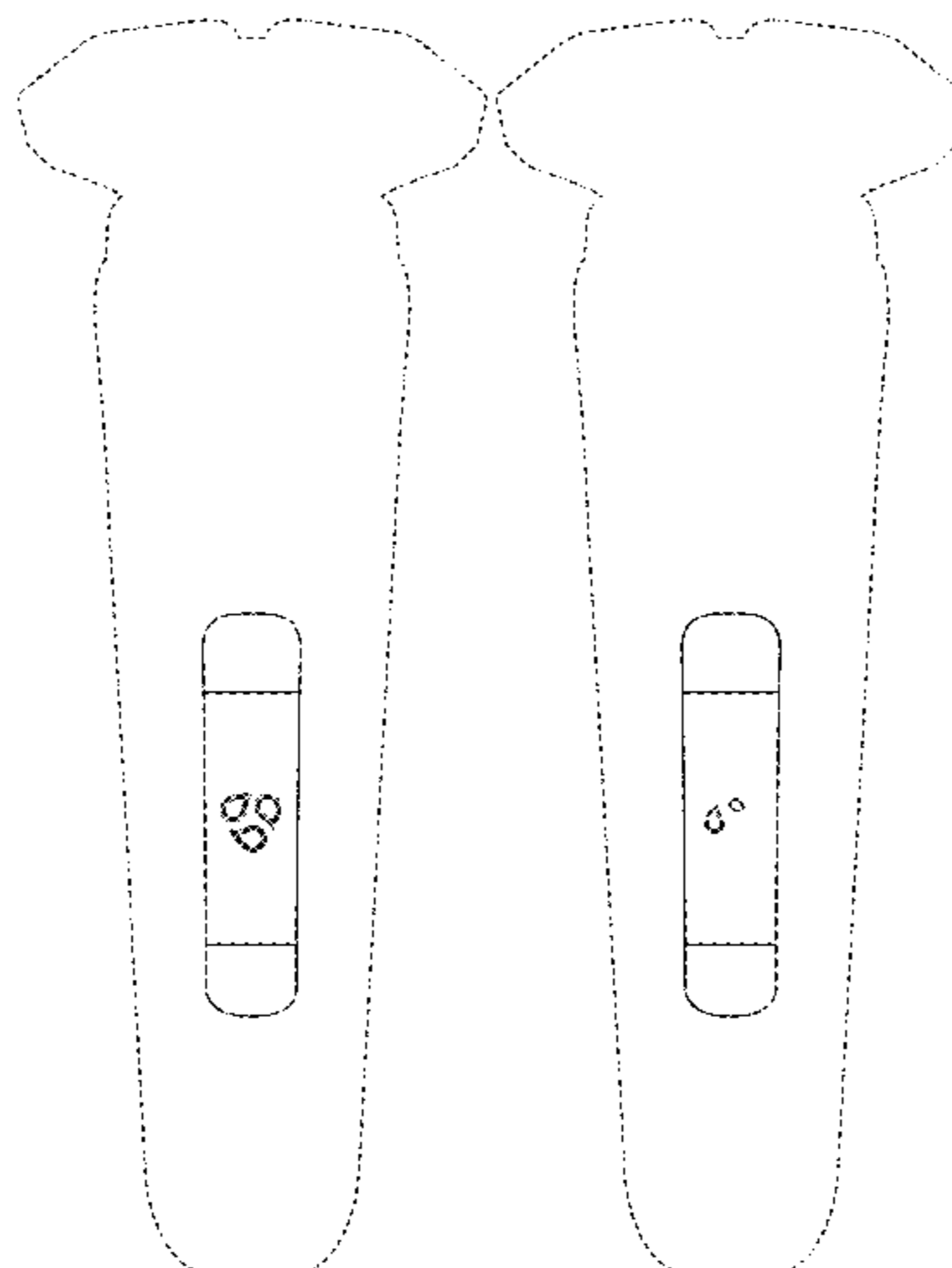
FIG. 13 is a front view of a sixth image thereof; and,

FIG. 14 is a front view of a seventh image thereof.

The appearance of the animated graphical user interface sequentially transitions between the images shown in FIGS. 1-7 and FIGS. 8-14. The process or period in which an image transitions to another image forms no part of the claimed design.

The outer even broken lines showing a device are for the purpose of illustrating environmental structure and form no part of the claimed design. All other broken lines showing the display screen or portion thereof with animated graphical

(Continued)



user interface are for the purpose of illustrating portions of the article and form no part of the claimed design.

1 Claim, 14 Drawing Sheets

(58) Field of Classification Search

CPC ... G16H 10/40; G06F 3/0482; G06F 3/04817; G06F 3/0484; G06F 3/0486; G06F 3/0487; G06F 1/163; G06F 21/36; A01G 25/165; A01G 25/167; A63B 24/00; B67D 1/0894; B67D 1/0888; D06F 34/32; D06F 34/28; F25D 2400/361; G01N 33/66; G05B 2219/2625; Y10T 137/1866

See application file for complete search history.

(56) References Cited

U.S. PATENT DOCUMENTS

D636,405 S * 4/2011 Mays D14/495
 D674,405 S * 1/2013 Guastella D14/488
 D700,617 S * 3/2014 Brinda D14/485
 8,784,271 B2 * 7/2014 Brumback G06F 3/0487
 482/8
 D711,921 S * 8/2014 Penico D14/492
 D712,920 S * 9/2014 Sloo D14/487
 D716,340 S * 10/2014 Bresin D14/488
 D724,101 S * 3/2015 Myers D14/488
 D725,148 S * 3/2015 Pereira D14/492
 9,144,204 B2 * 9/2015 Redmond G05B 19/042
 D759,713 S * 6/2016 Ogg D14/489
 D760,257 S * 6/2016 Zheng D14/486
 D779,509 S * 2/2017 Kennedy D14/485
 D783,652 S * 4/2017 Guan D14/486
 D801,373 S * 10/2017 Vaglio G06F 3/04817
 D14/486

D804,516 S * 12/2017 Dye D14/487
 D833,096 S * 11/2018 Breheny D32/40
 D841,660 S * 2/2019 Mercado D14/485
 D846,589 S * 4/2019 Cho D14/487
 D864,983 S * 10/2019 Lee D14/486
 D879,837 S * 3/2020 Stoppel D14/492
 D889,483 S * 7/2020 Amini D14/485
 10,796,797 B2 * 10/2020 Guthrie A61M 1/062
 D916,790 S * 4/2021 Yan D14/486
 11,006,589 B2 * 5/2021 Marsano A01G 25/165
 D939,533 S * 12/2021 Yang D14/485
 2004/0134238 A1 * 7/2004 Buckroyd D06F 34/28
 68/12.23
 2012/0056827 A1 * 3/2012 Kim D06F 34/28
 345/173
 2014/0239010 A1 * 8/2014 Hwang F25D 23/126
 222/23
 2015/0370468 A1 * 12/2015 Kazi H04L 67/10
 715/211
 2016/0070403 A1 * 3/2016 Sharma A61B 5/7475
 345/174
 2017/0303646 A1 * 10/2017 Bricken G06F 1/1652
 2018/0074693 A1 * 3/2018 Jones G06F 1/169

OTHER PUBLICATIONS

Greenspan, Vince “Braun Series 9 9090cc Electric Shaver Review” Jun. 21, 2017, ShaverInsider, site visited May 22, 2021: <https://www.shaverinsider.com/braun-series-9-9090cc-electric-shaver-review/> (Year: 201).*

“Waterdrop Gif” Mar. 1, 2016, WordPress, site visited Oct. 27, 2021: <https://memesahib.wordpress.com/2016/03/01/waterdrop-gif/> (Year: 2016).*

“Xiaomi Mijia S500 Smart Shaver | Unboxing & First Impression” Jan. 5, 2020, YouTube, site visited Oct. 27, 2021: <https://www.youtube.com/watch?v=JoJ-2n5U97A&t=125s> (Year: 2020).*

* cited by examiner

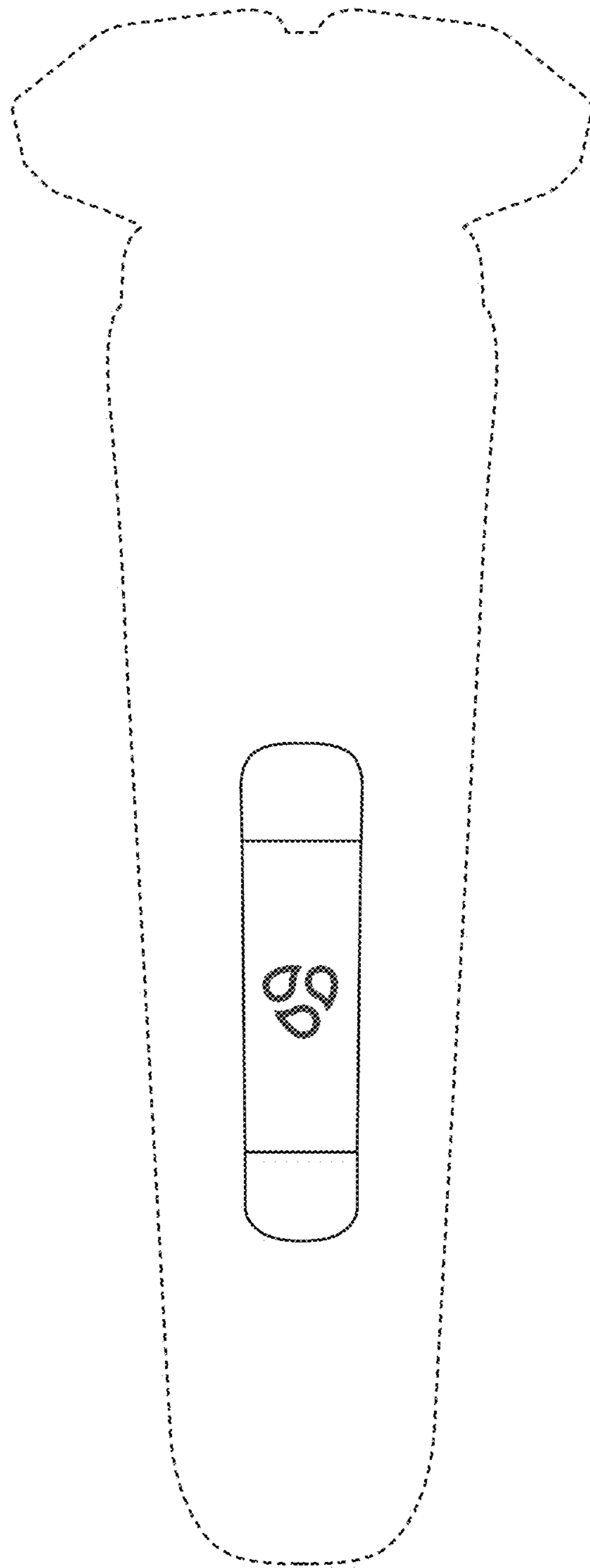


FIG. 1

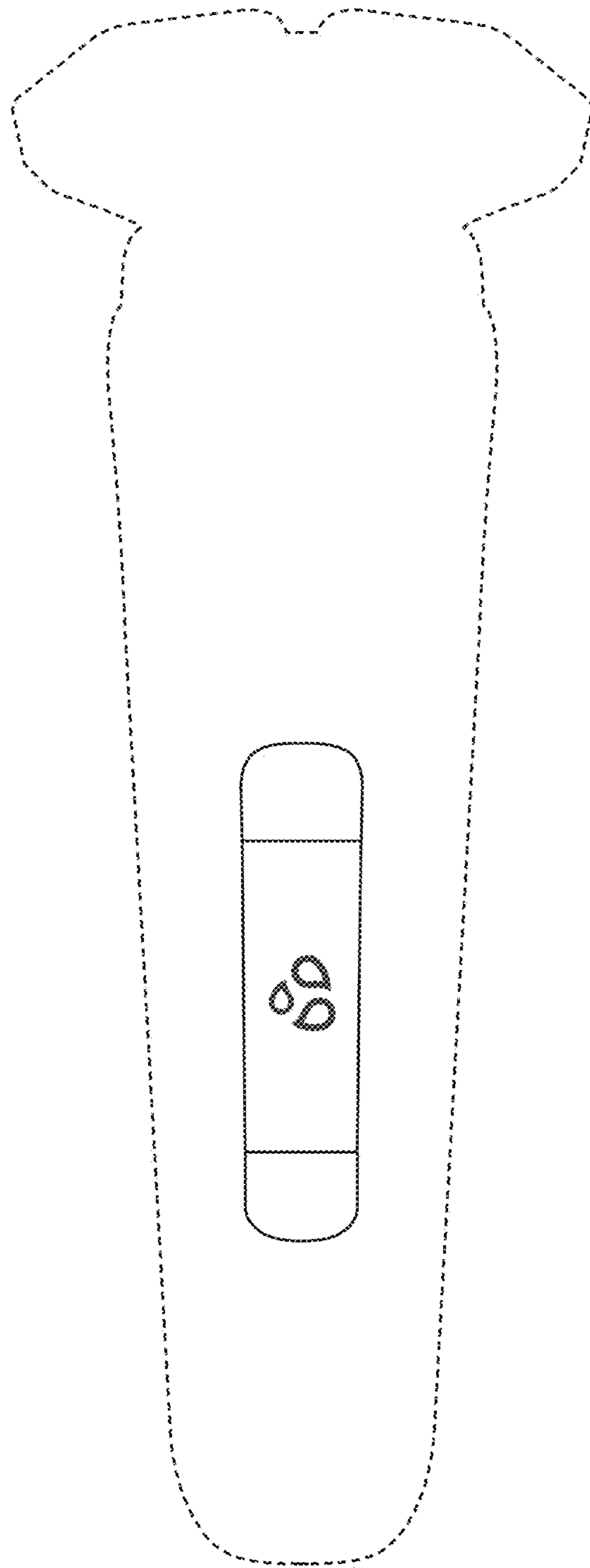


FIG. 2

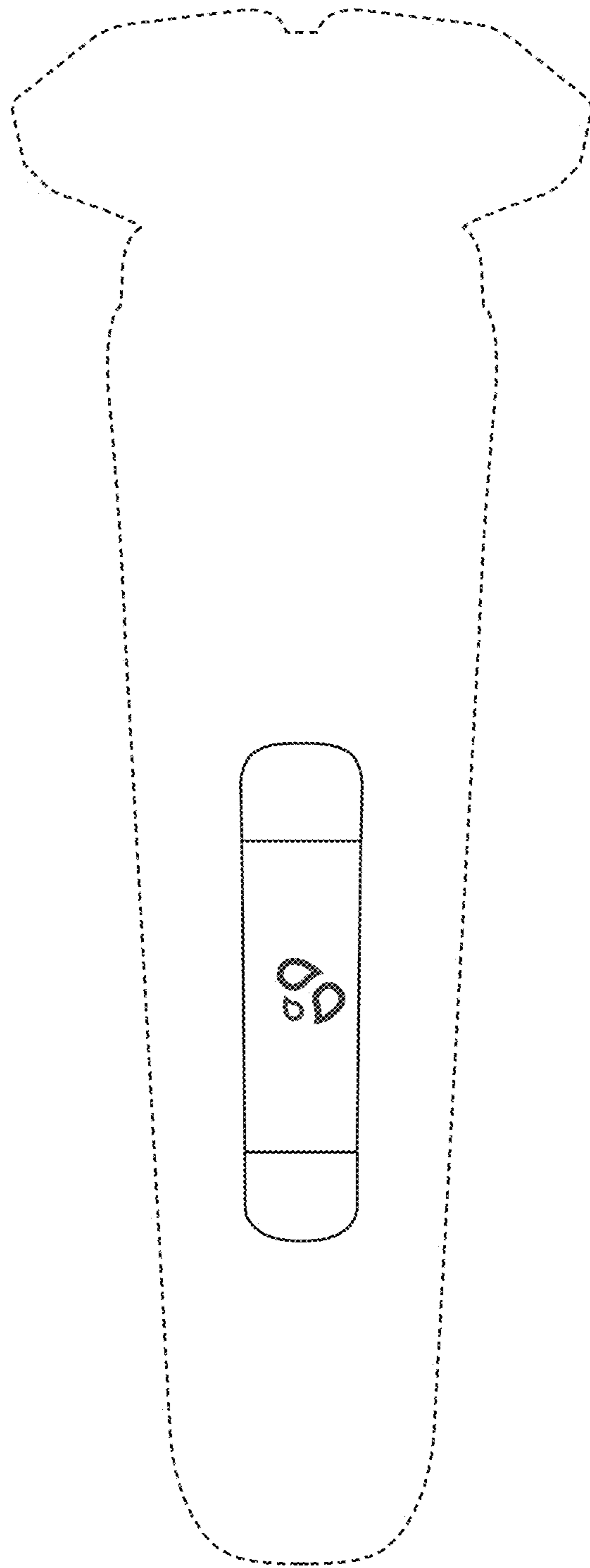


FIG. 3

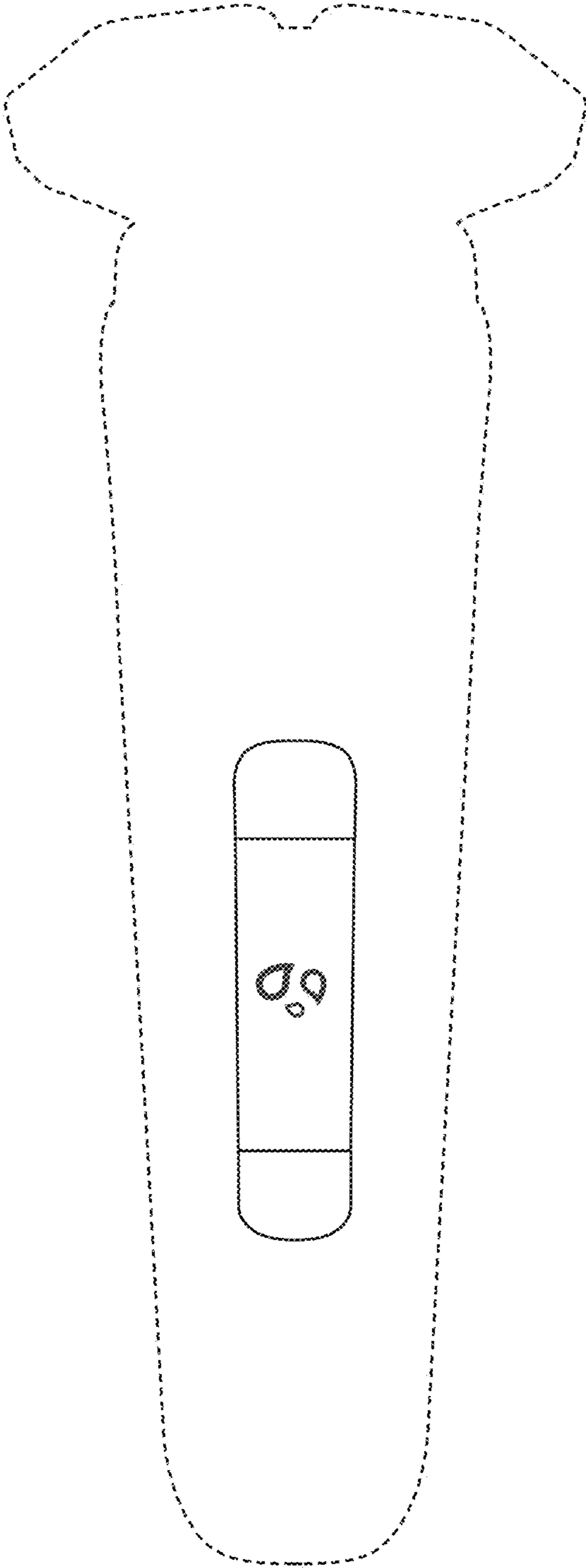


FIG. 4

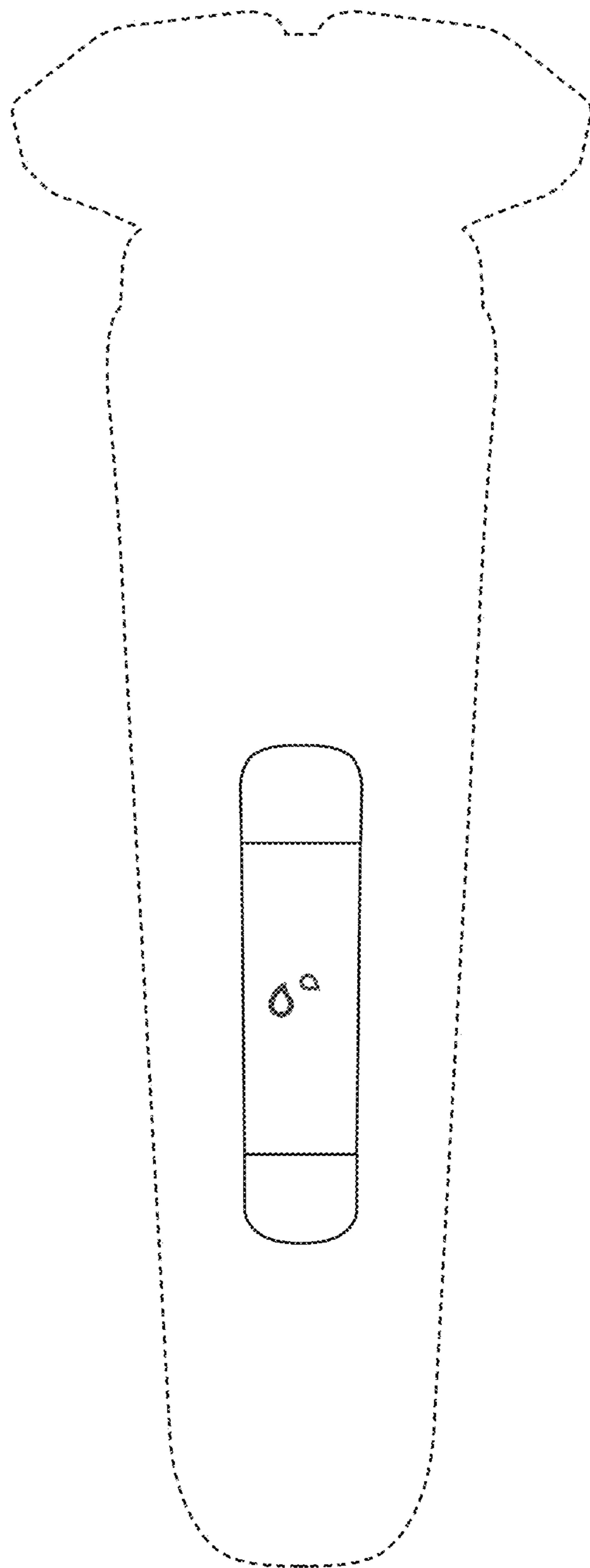


FIG. 5

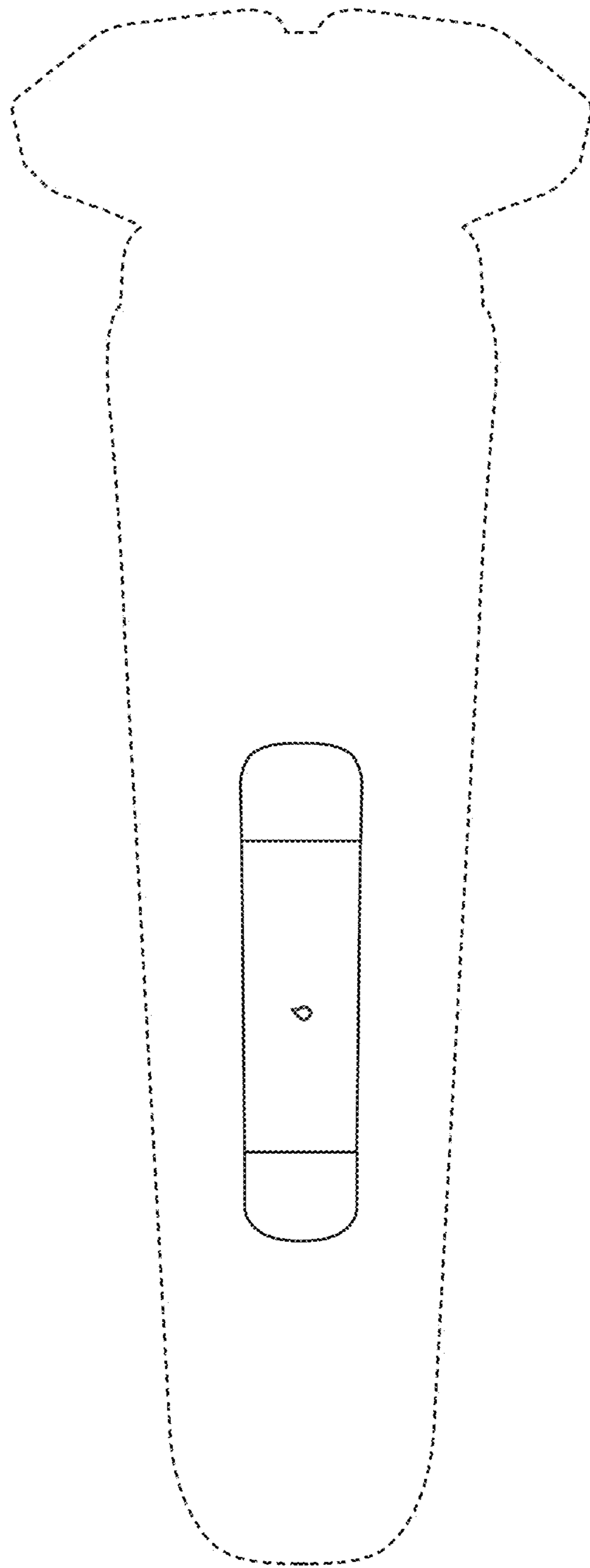


FIG. 6

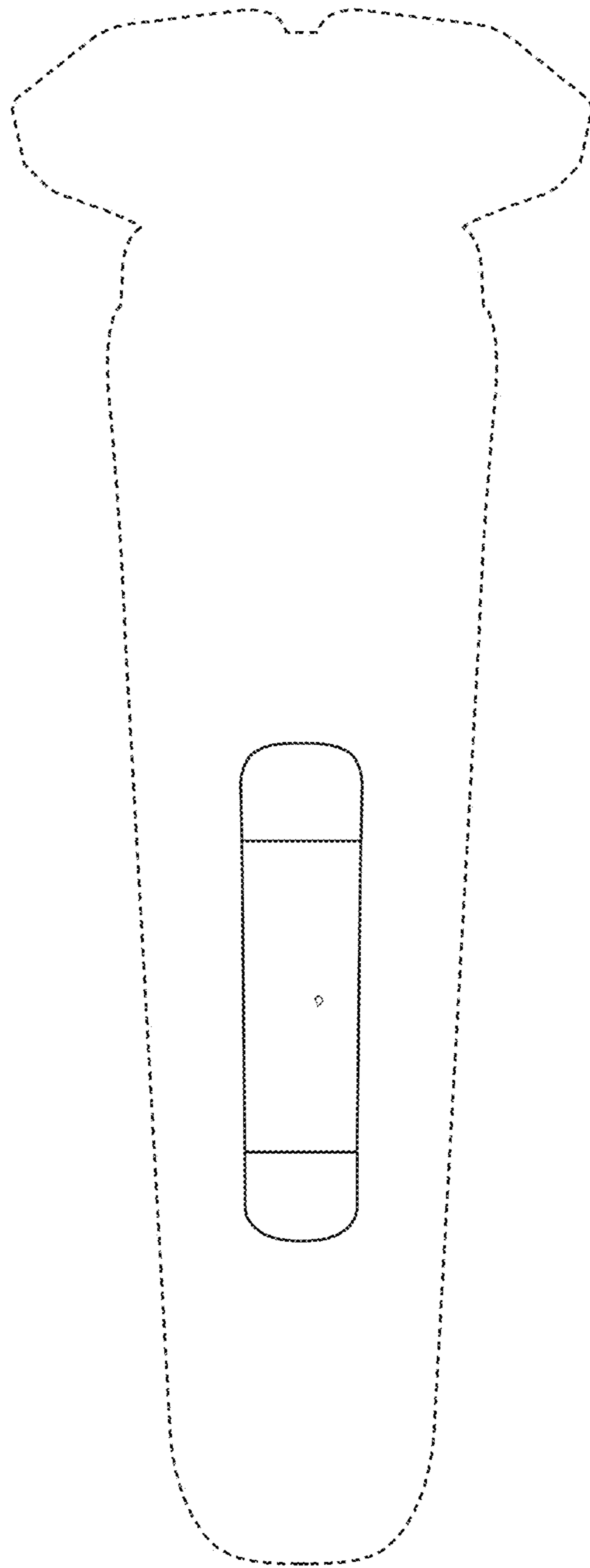


FIG. 7

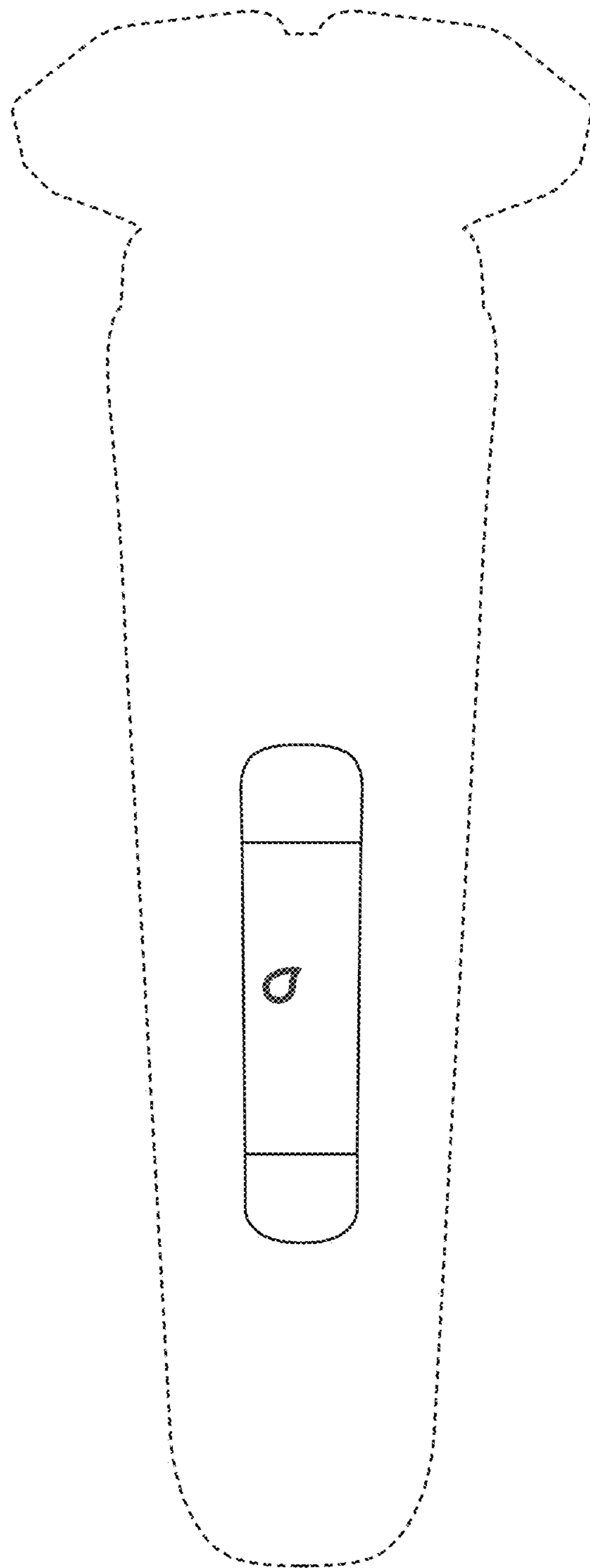


FIG. 8

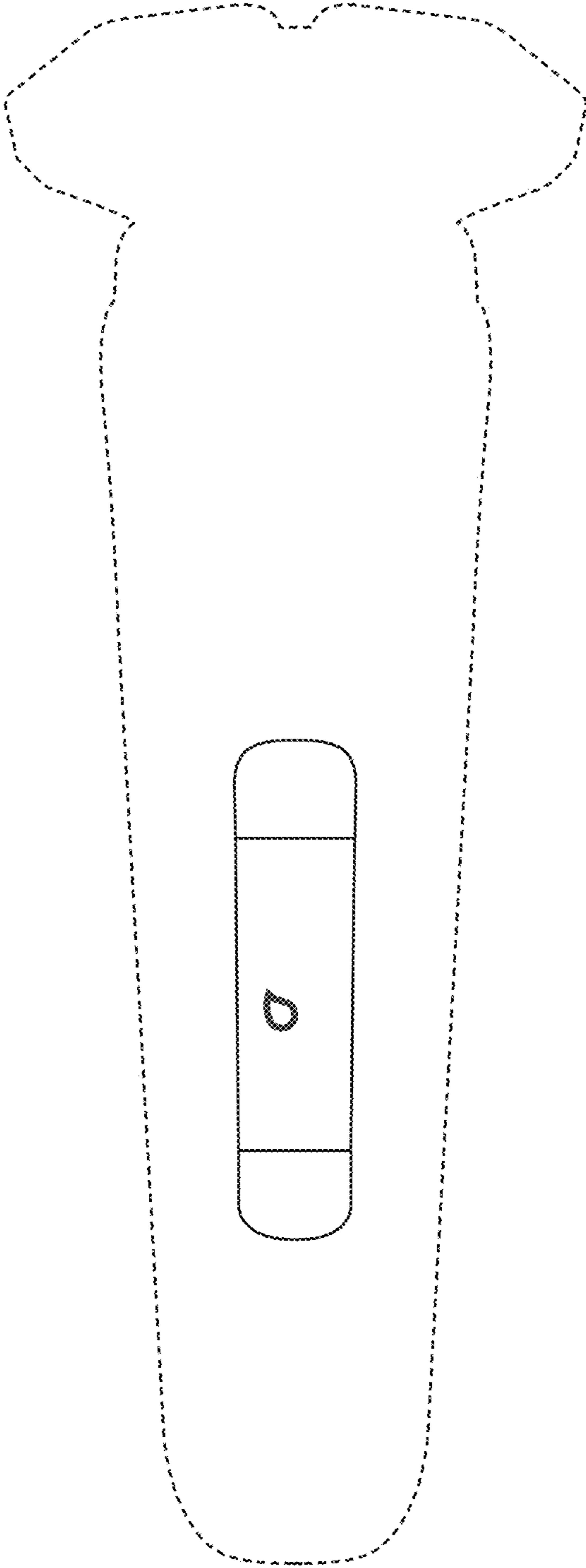


FIG. 9

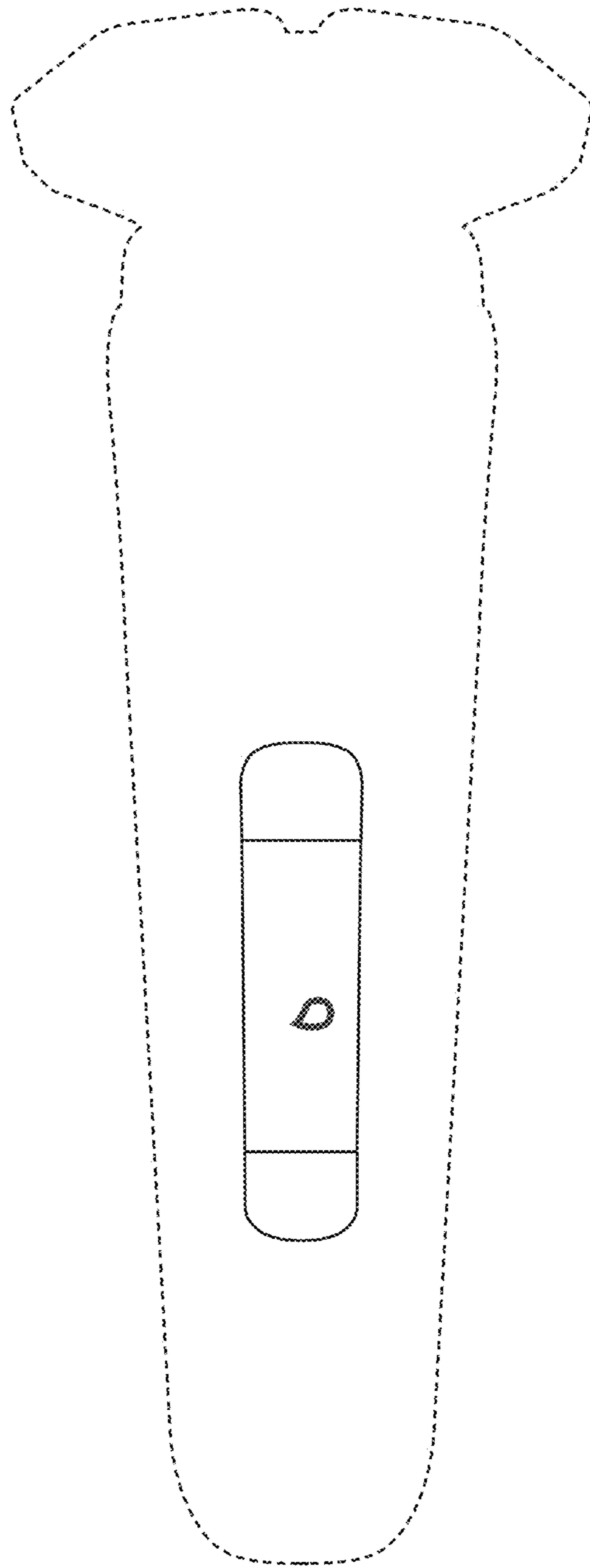


FIG. 10

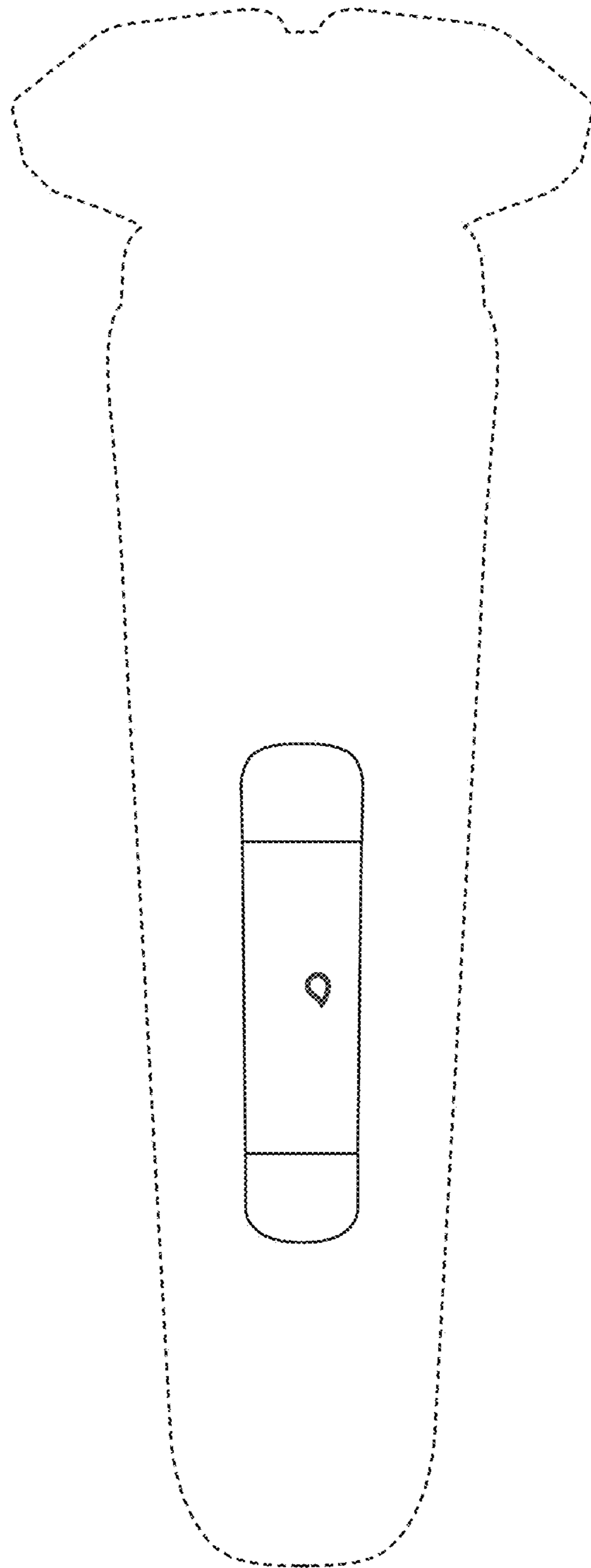


FIG. 11

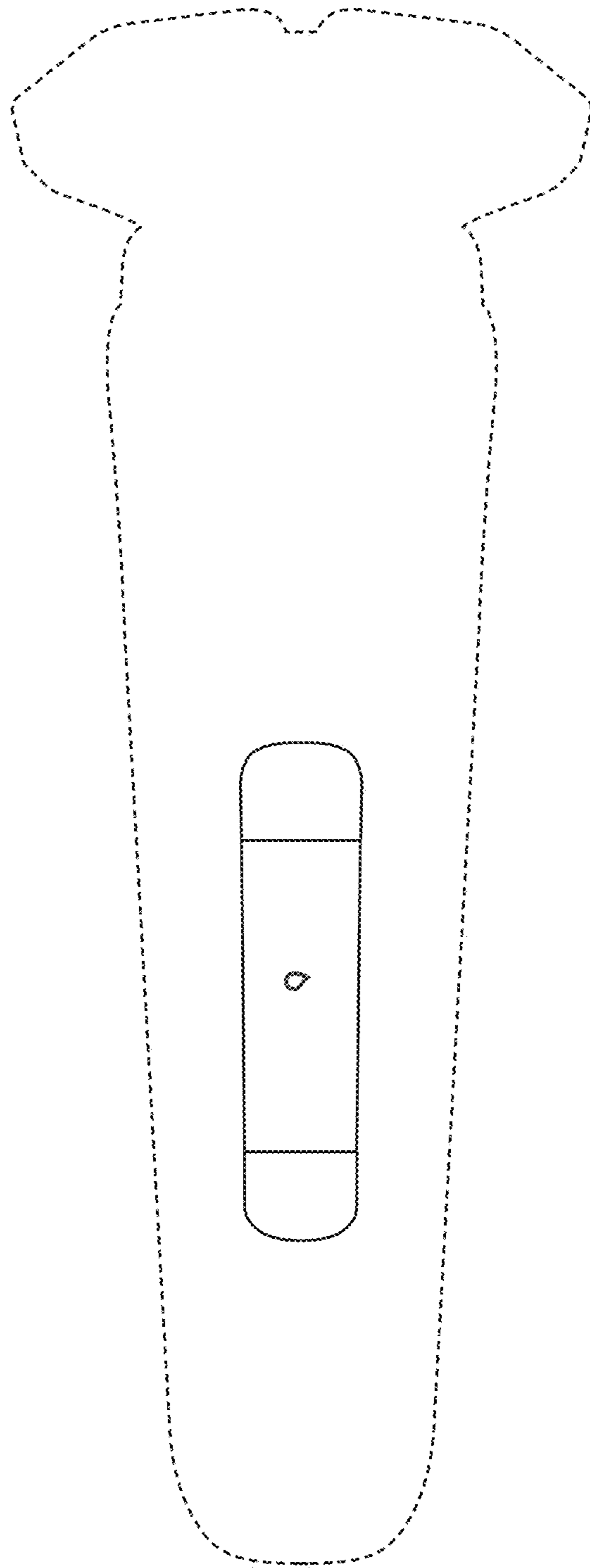


FIG. 12

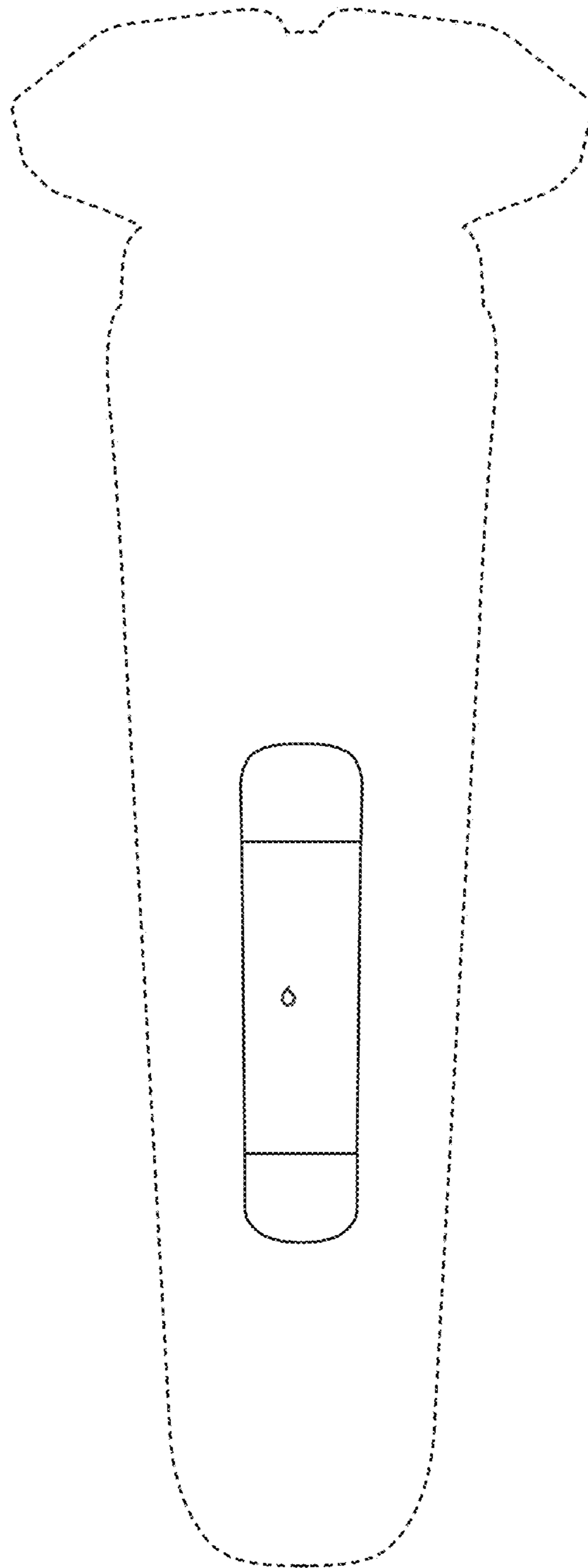


FIG. 13

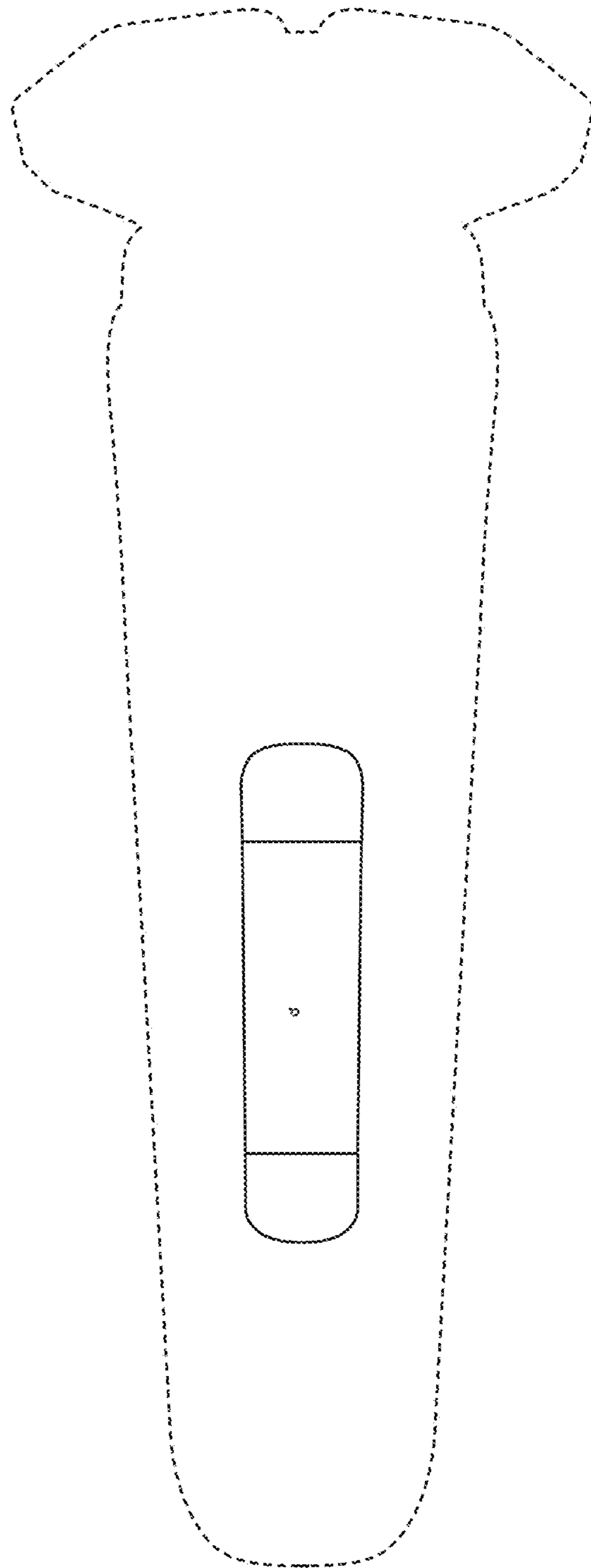


FIG. 14