



US00D952645S

(12) **United States Design Patent**
Du et al.

(10) **Patent No.:** **US D952,645 S**

(45) **Date of Patent:** **** May 24, 2022**

(54) **FLASH DISK**

(71) Applicant: **NETAC TECHNOLOGY CO., LTD.**,
Shenzhen (CN)

(72) Inventors: **Tiejun Du**, Shenzhen (CN); **Zhigang Zhu**, Shenzhen (CN); **Weilong He**,
Shenzhen (CN)

(73) Assignee: **NETAC TECHNOLOGY CO., LTD.**,
Shenzhen (CN)

(**) Term: **15 Years**

(21) Appl. No.: **29/752,941**

(22) Filed: **Sep. 29, 2020**

(30) **Foreign Application Priority Data**

Apr. 9, 2020 (CN) 202030135538.X

(51) **LOC (13) Cl.** **14-03**

(52) **U.S. Cl.**
USPC **D14/480.5**

(58) **Field of Classification Search**
USPC D14/480.1–480.7, 435.1, 411, 433, 436,
D14/484.1, 137, 155, 203.1–203.8, 240,
D14/242, 496, 474; D13/133, 154
CPC H05K 5/0278; G06K 19/07732
See application file for complete search history.

(56) **References Cited**

U.S. PATENT DOCUMENTS

D491,143 S * 6/2004 Jiang D14/435.1
D520,996 S * 5/2006 Deng D14/480.5

D542,788 S * 5/2007 Gutmann D14/480.5
D555,158 S * 11/2007 Lo D14/480.5
D583,816 S * 12/2008 Guccione D14/480.5
D597,879 S * 8/2009 Aikawa D10/104.1
D601,141 S * 9/2009 Moshes D14/480.7
D610,134 S * 2/2010 Gotzen D14/480.5
D615,985 S * 5/2010 Landry D14/480.5
D688,255 S * 8/2013 Daniel D14/480.4
D691,152 S * 10/2013 Meisel D14/480.3
D711,891 S * 8/2014 Emami D14/480.5
D717,309 S * 11/2014 Govindarajan D14/480.6

* cited by examiner

Primary Examiner — Angela J Lee

(74) *Attorney, Agent, or Firm* — Anova Law Group,
PLLC

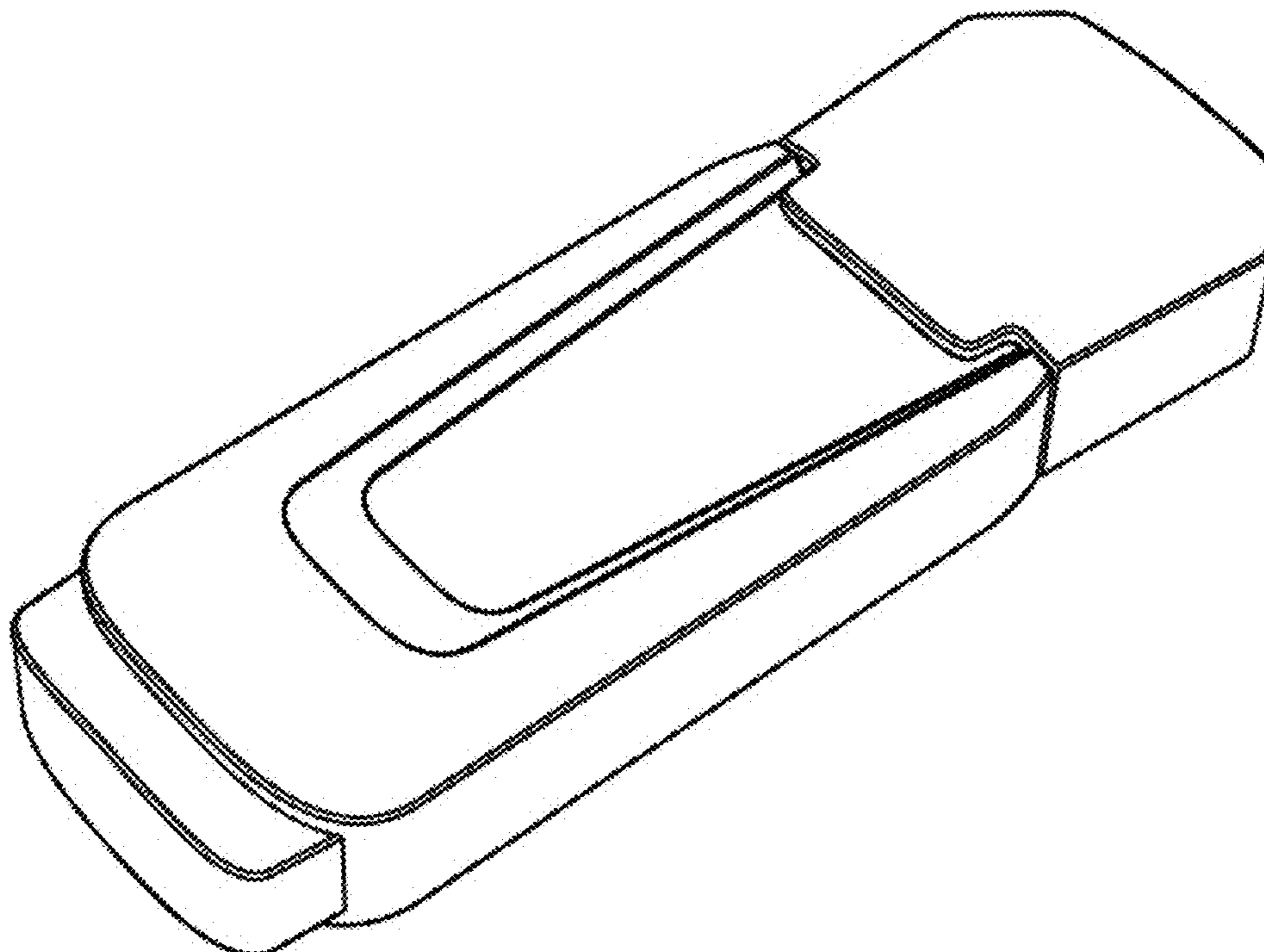
(57) **CLAIM**

The ornamental design for a flash disk, as shown and described.

DESCRIPTION

FIG. 1 is a front perspective view of a flash disk showing my new design;
FIG. 2 is a rear perspective view thereof;
FIG. 3 is a front view thereof;
FIG. 4 is a rear view thereof;
FIG. 5 is a left view thereof;
FIG. 6 is a right view thereof;
FIG. 7 is a top view thereof; and,
FIG. 8 is a bottom view thereof.

1 Claim, 6 Drawing Sheets



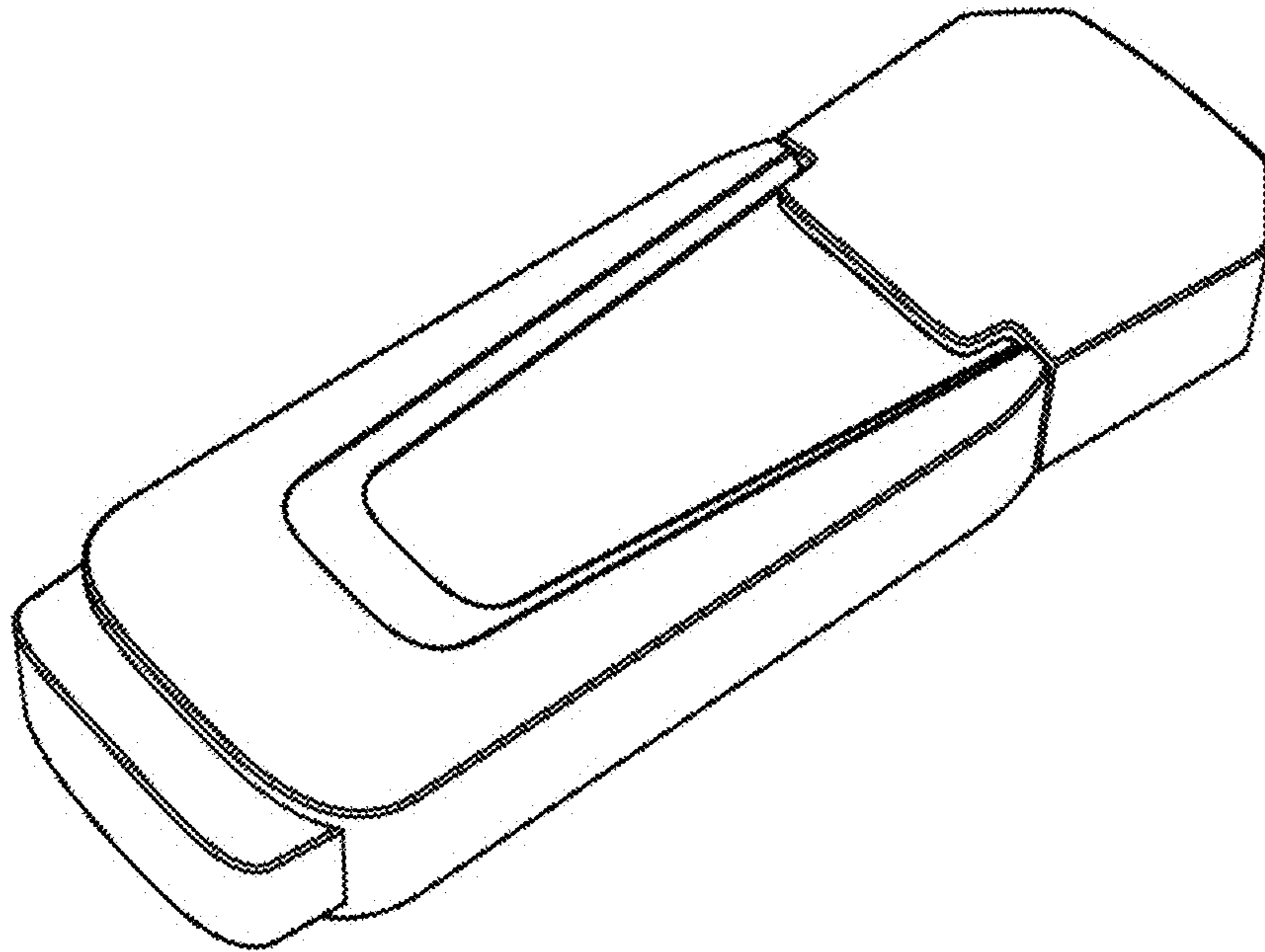


FIG. 1

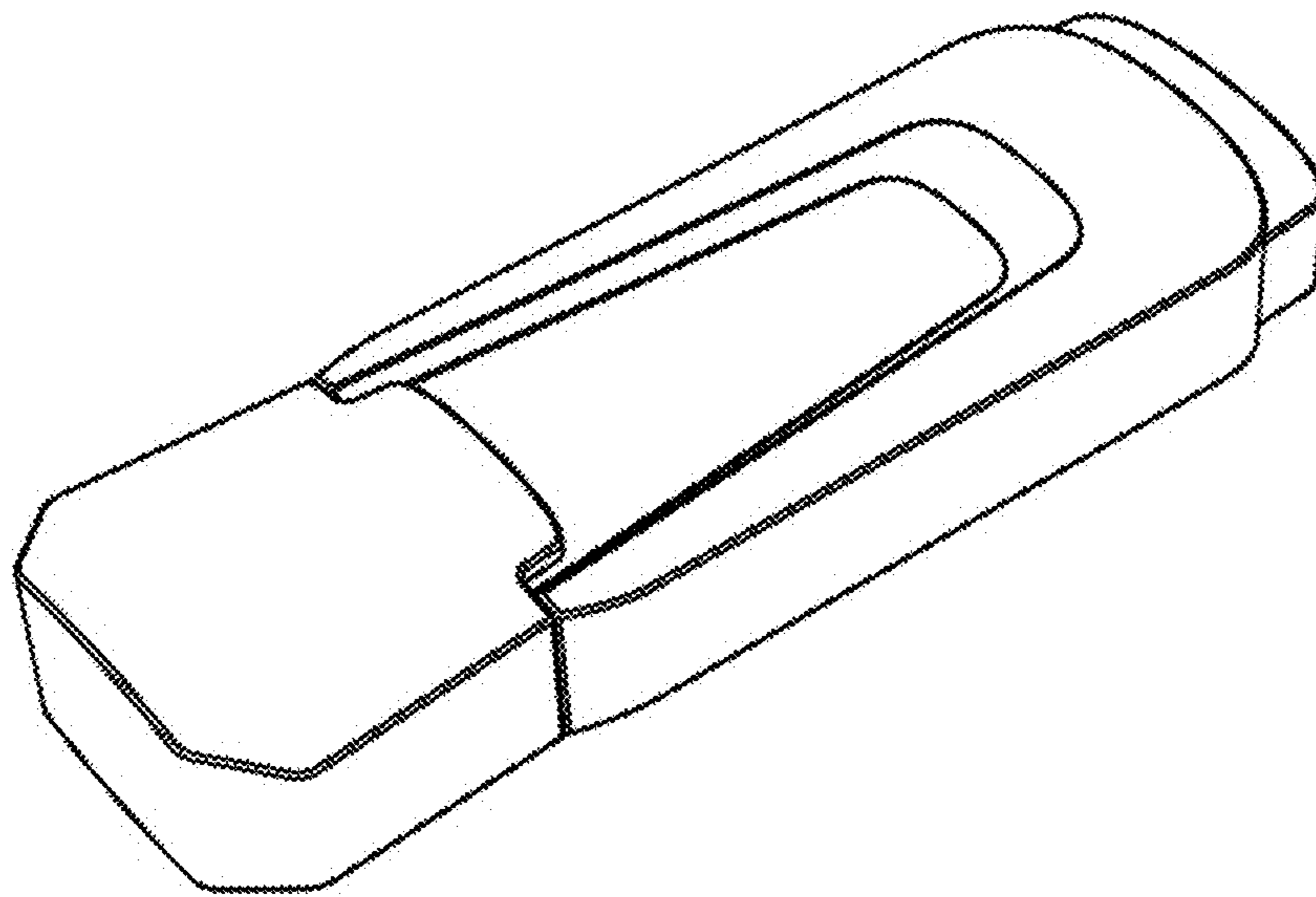


FIG. 2

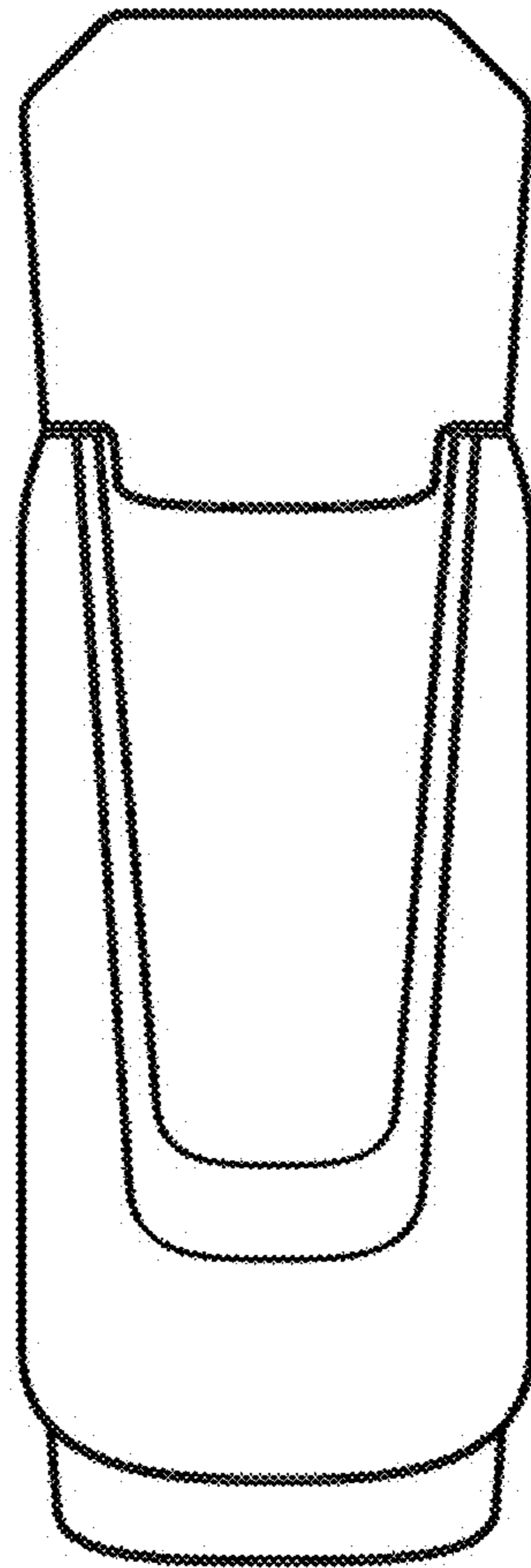


FIG. 3

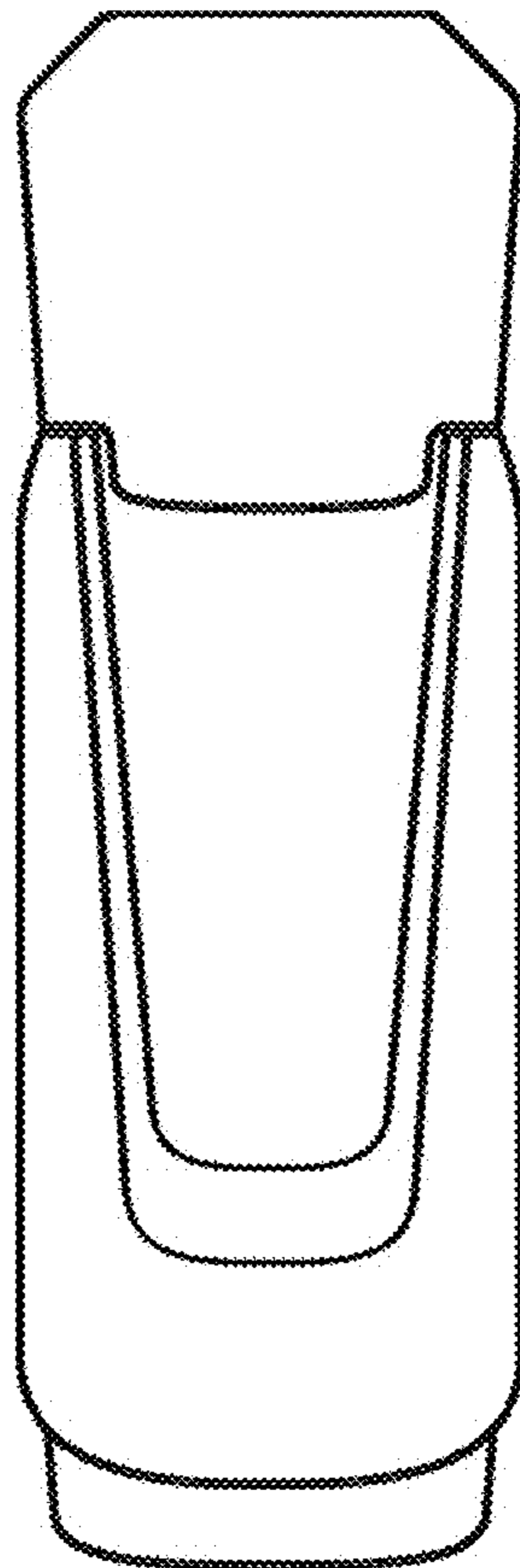


FIG. 4

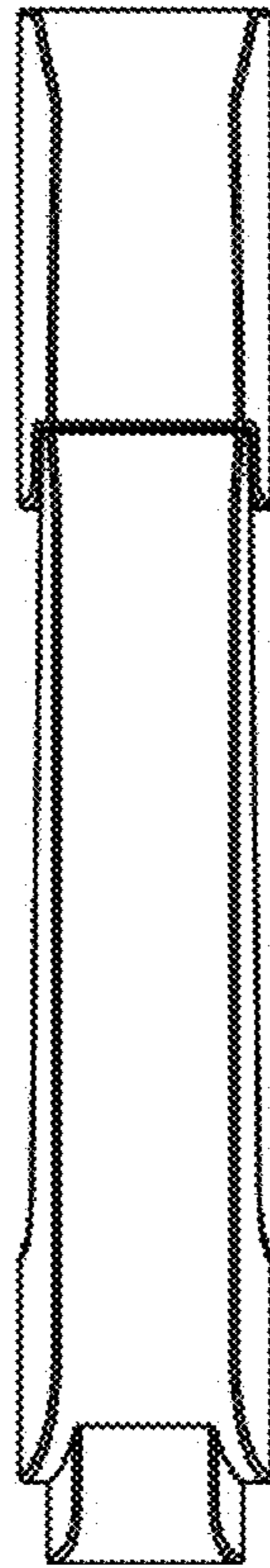


FIG. 5

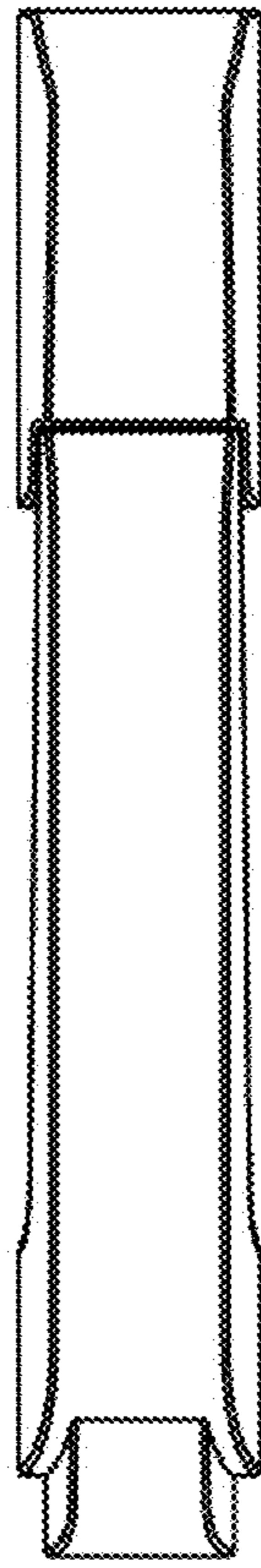


FIG. 6

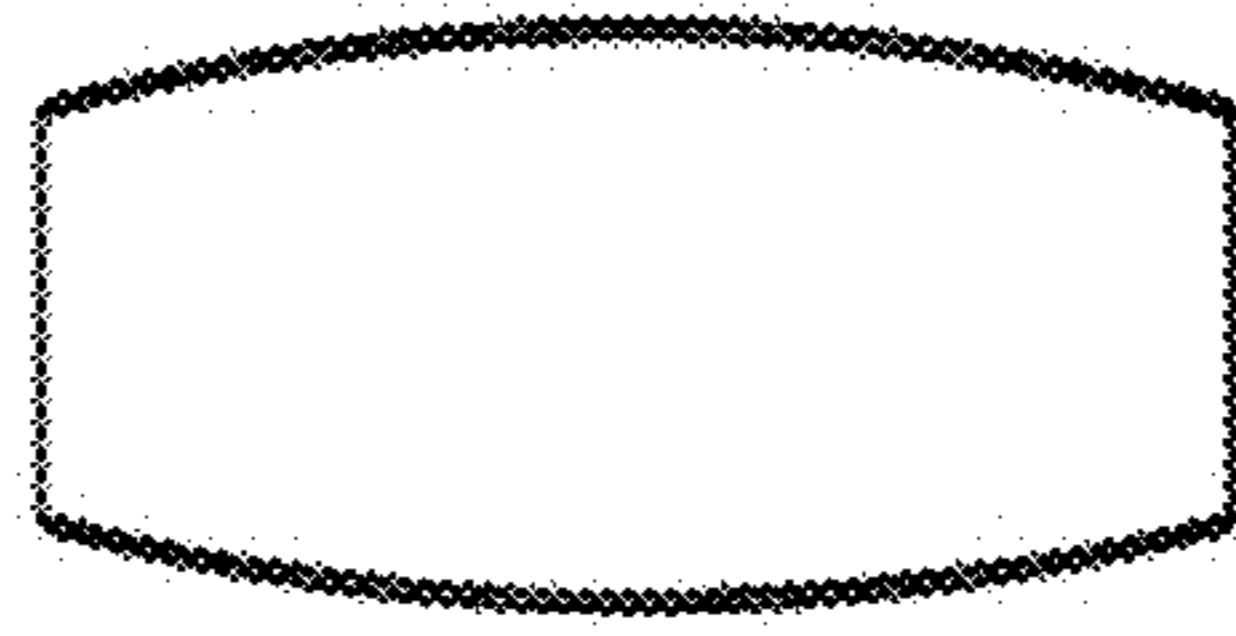


FIG. 7

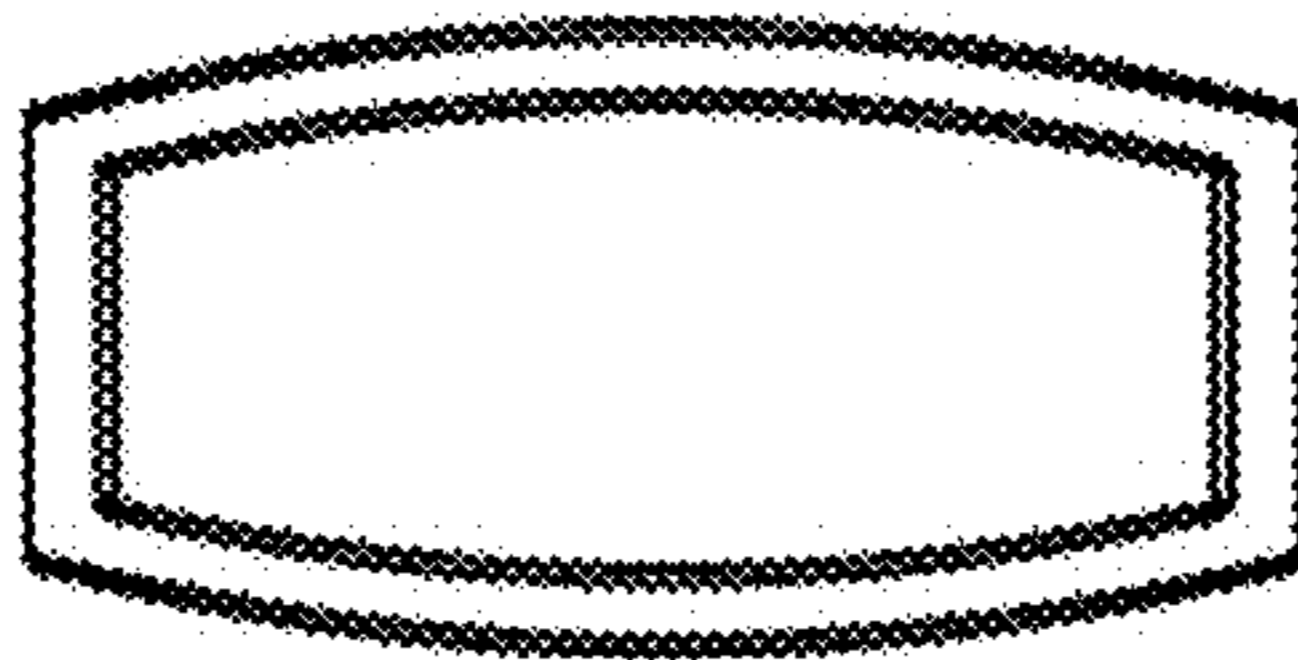


FIG. 8