



US00D952643S

(12) **United States Design Patent**  
**Chen**

(10) **Patent No.:** **US D952,643 S**

(45) **Date of Patent:** **\*\* May 24, 2022**

(54) **FOLDING BRACKET**

(71) Applicant: **Shenzhen Reno Information Technology Limited**, Guangdong (CN)

(72) Inventor: **Huifeng Chen**, Guangdong (CN)

(73) Assignee: **SHENZHEN RENO INFORMATION TECHNOLOGY LIMITED**, Shenzhen (CN)

(\*\*) Term: **15 Years**

(21) Appl. No.: **29/786,204**

(22) Filed: **May 28, 2021**

(30) **Foreign Application Priority Data**

May 27, 2021 (CN) ..... 202130321219.2

(51) **LOC (13) Cl.** ..... **14-03**

(52) **U.S. Cl.**  
USPC ..... **D14/447; D14/253**

(58) **Field of Classification Search**  
USPC ..... D14/251-253, 439, 240, 447; D3/218;  
D12/415, 407; D16/242-245  
CPC ..... H04M 1/04; H04M 1/0279; A45F  
2200/0516; A45F 5/00; A45F 2200/0525;  
A45C 2011/002; A45C 2011/003; B60R  
11/0241

See application file for complete search history.

(56) **References Cited**

**U.S. PATENT DOCUMENTS**

D519,990 S \* 5/2006 Lazor ..... D14/229  
D560,068 S \* 1/2008 Dixon ..... A45F 5/02  
D3/218  
D592,188 S \* 5/2009 Huang ..... D14/447  
D637,593 S \* 5/2011 Zanetti ..... D14/253  
D640,707 S \* 6/2011 Yeh ..... D14/447  
D652,836 S \* 1/2012 Voorhees ..... D14/238.1

D653,668 S \* 2/2012 Song ..... D14/447  
D659,147 S \* 5/2012 Hu ..... D14/447  
D669,482 S \* 10/2012 Hu ..... D14/447  
D669,890 S \* 10/2012 Hopkins ..... D14/251  
D673,960 S \* 1/2013 Lindfield ..... D14/447  
D686,629 S \* 7/2013 Trinh ..... D14/447  
D691,148 S \* 10/2013 Weatherby, III ..... D14/447

(Continued)

**FOREIGN PATENT DOCUMENTS**

CN 306363664 S 3/2021  
CN 306402718 S 3/2021

(Continued)

*Primary Examiner* — Janice Hallmark

(74) *Attorney, Agent, or Firm* — Dragon Sun Law Firm, P.C.; Jinggao Li, Esq.

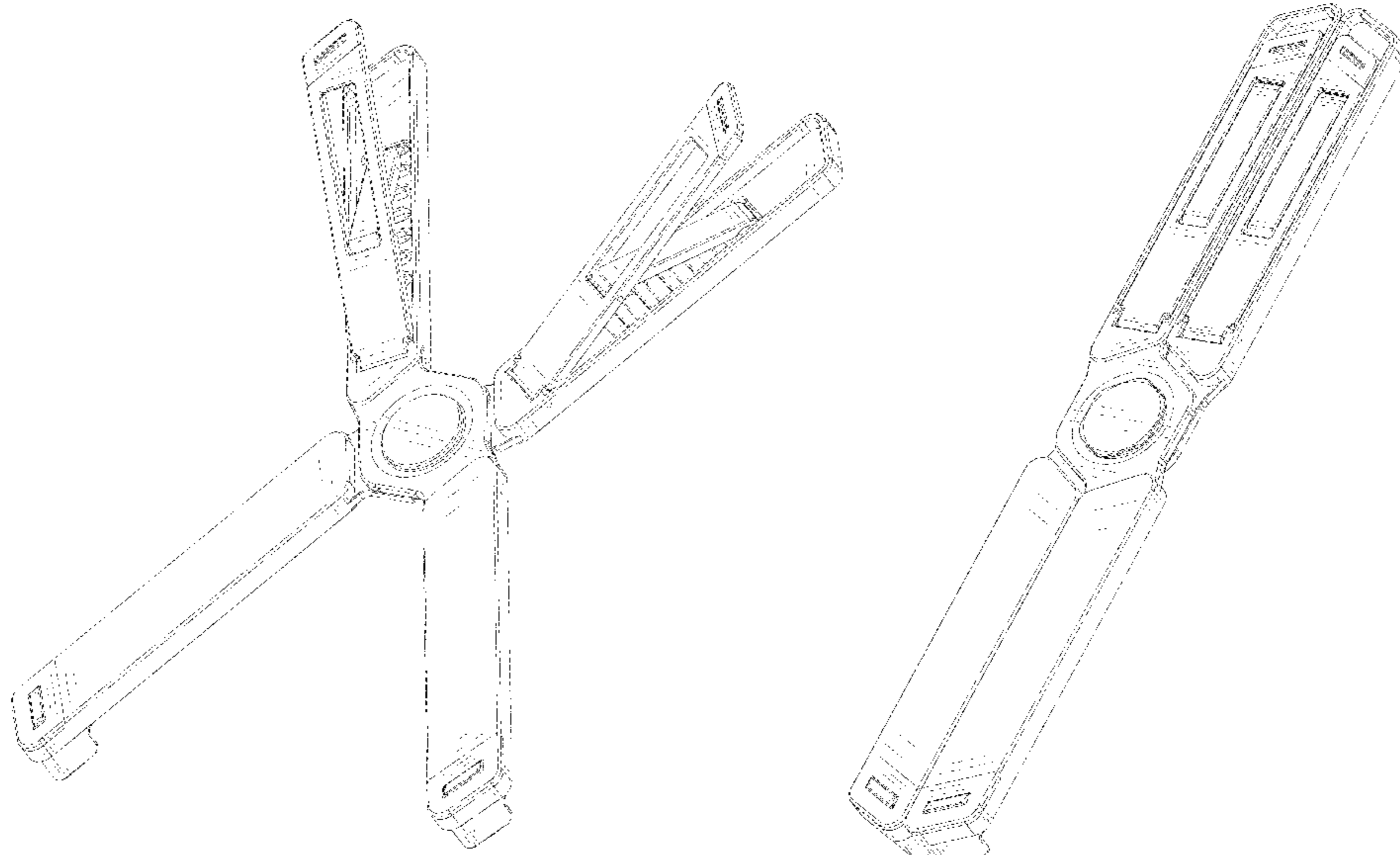
(57) **CLAIM**

The ornamental design for a folding bracket, as shown and described.

**DESCRIPTION**

FIG. 1 is a top, front perspective view of the folding bracket; FIG. 2 is a bottom, rear perspective view of FIG. 1; FIG. 3 is a front view of FIG. 1; FIG. 4 is a rear view of FIG. 1; FIG. 5 is a left view of FIG. 1; FIG. 6 is a right view of FIG. 1; FIG. 7 is a top view of FIG. 1; FIG. 8 is a bottom view of FIG. 1; FIG. 9 is another bottom, rear perspective of the folding bracket in an operational mode; FIG. 10 is another bottom, rear perspective of the folding bracket in a folded state; FIG. 11 is an enlarged detail view of the portion of the folding bracket encircled by broken line in FIG. 1; and, FIG. 12 is an enlarged detail view of the portion of the folding bracket encircled by broken line in FIG. 5.

**1 Claim, 12 Drawing Sheets**



(56)

References Cited

U.S. PATENT DOCUMENTS

D692,436 S \* 10/2013 Hung ..... D14/447  
 D697,515 S \* 1/2014 Adelman ..... D14/447  
 D723,089 S \* 2/2015 Teppan ..... D16/242  
 9,297,495 B2 \* 3/2016 Fischer ..... F16M 11/041  
 D764,478 S \* 8/2016 Radmard ..... H04M 1/11  
 D14/440  
 D769,852 S \* 10/2016 Godycki ..... D14/250  
 D800,106 S \* 10/2017 Godycki ..... D14/250  
 D800,107 S \* 10/2017 Godycki ..... D14/250  
 10,001,153 B1 \* 6/2018 Fan ..... F16M 13/00  
 D827,652 S 9/2018 Jacques  
 D833,450 S \* 11/2018 Oakley ..... D14/451  
 D849,750 S \* 5/2019 Armstrong ..... D14/440  
 D860,215 S 9/2019 Olander  
 D860,216 S 9/2019 Olander  
 D870,095 S \* 12/2019 Hu ..... D14/253  
 D870,799 S \* 12/2019 Ramones ..... D16/242  
 D897,328 S \* 9/2020 Eulette ..... D14/250  
 D898,748 S 10/2020 Ma  
 D902,936 S 11/2020 Hong  
 D904,416 S 12/2020 Xu

D927,502 S \* 8/2021 Akana ..... D14/452  
 D942,440 S \* 2/2022 Chapuis ..... D14/447  
 2012/0074272 A1 \* 3/2012 Hull ..... F16M 11/041  
 248/122.1  
 2012/0234055 A1 \* 9/2012 Bland, III ..... F16M 13/00  
 70/14  
 2013/0105644 A1 \* 5/2013 Yu ..... F16M 11/14  
 248/125.7  
 2016/0020809 A1 \* 1/2016 Joslin ..... H04B 1/3888  
 455/575.6  
 2016/0050846 A1 \* 2/2016 Mitchell ..... A01D 34/001  
 269/43

FOREIGN PATENT DOCUMENTS

CN 306412919 S 3/2021  
 CN 306451451 S 4/2021  
 CN 306461264 S 4/2021  
 CN 306469713 S 4/2021  
 CN 306469755 S 4/2021  
 CN 306479809 S 4/2021  
 CN 306487703 S 4/2021

\* cited by examiner

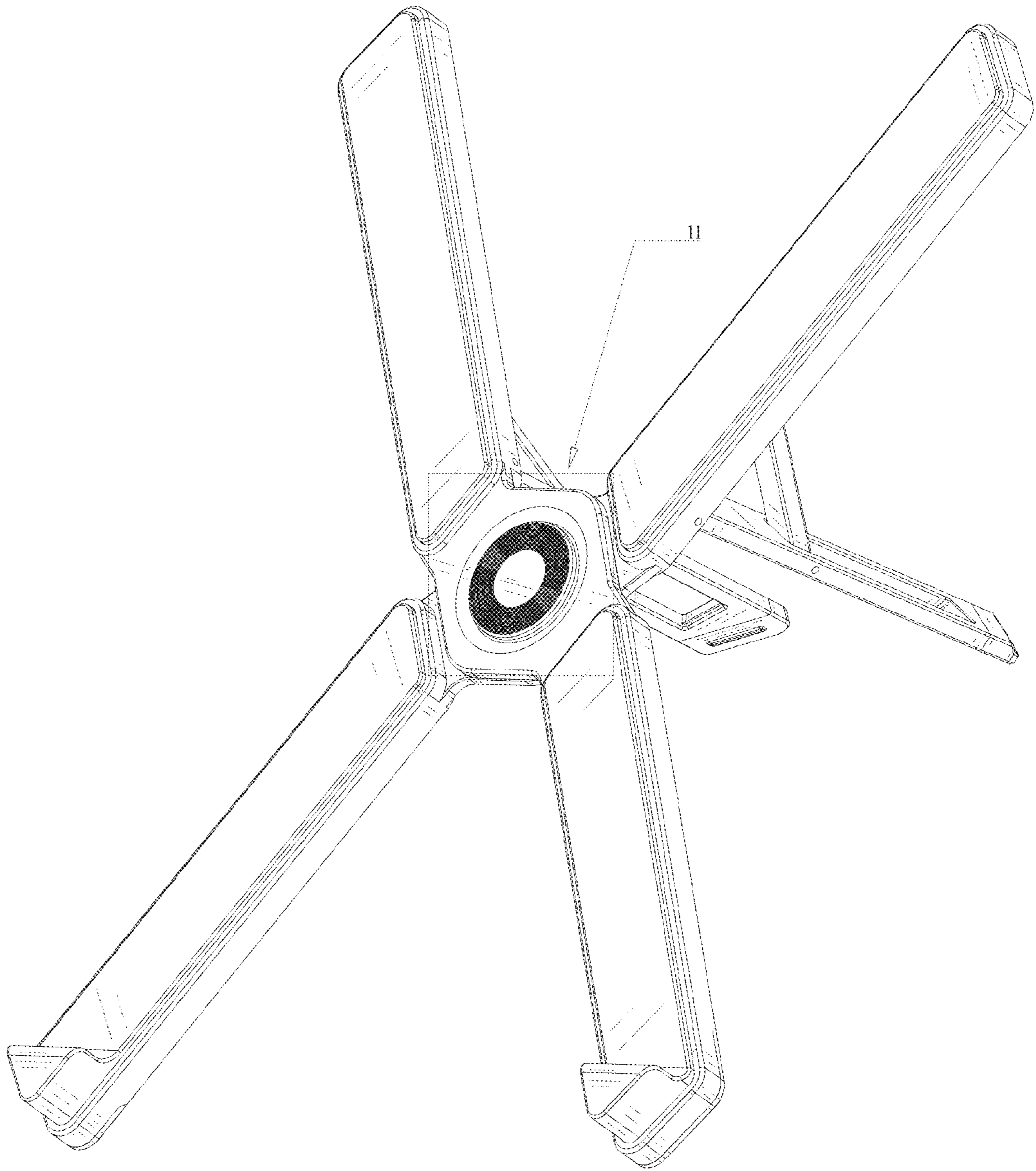


FIG. 1

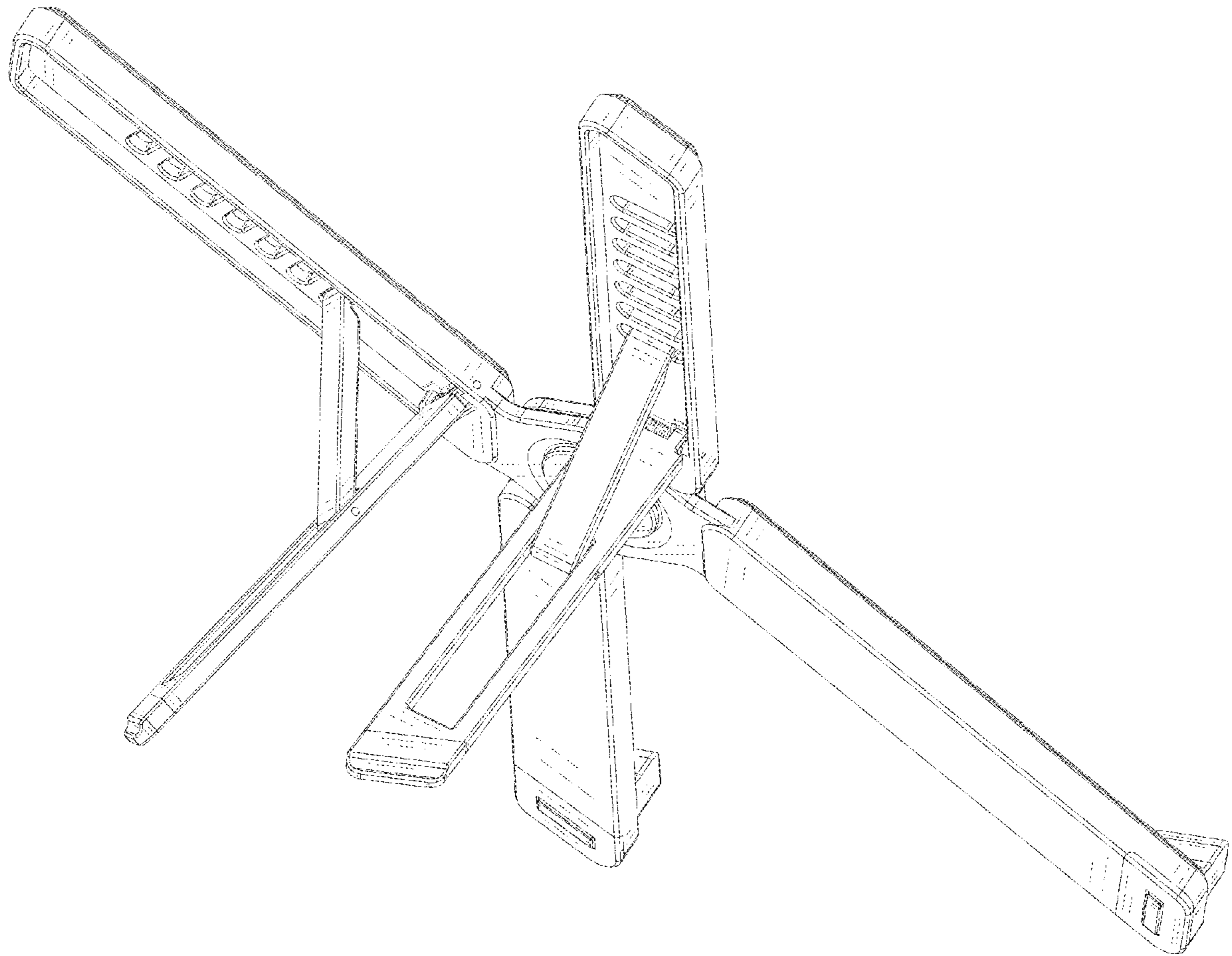


FIG. 2

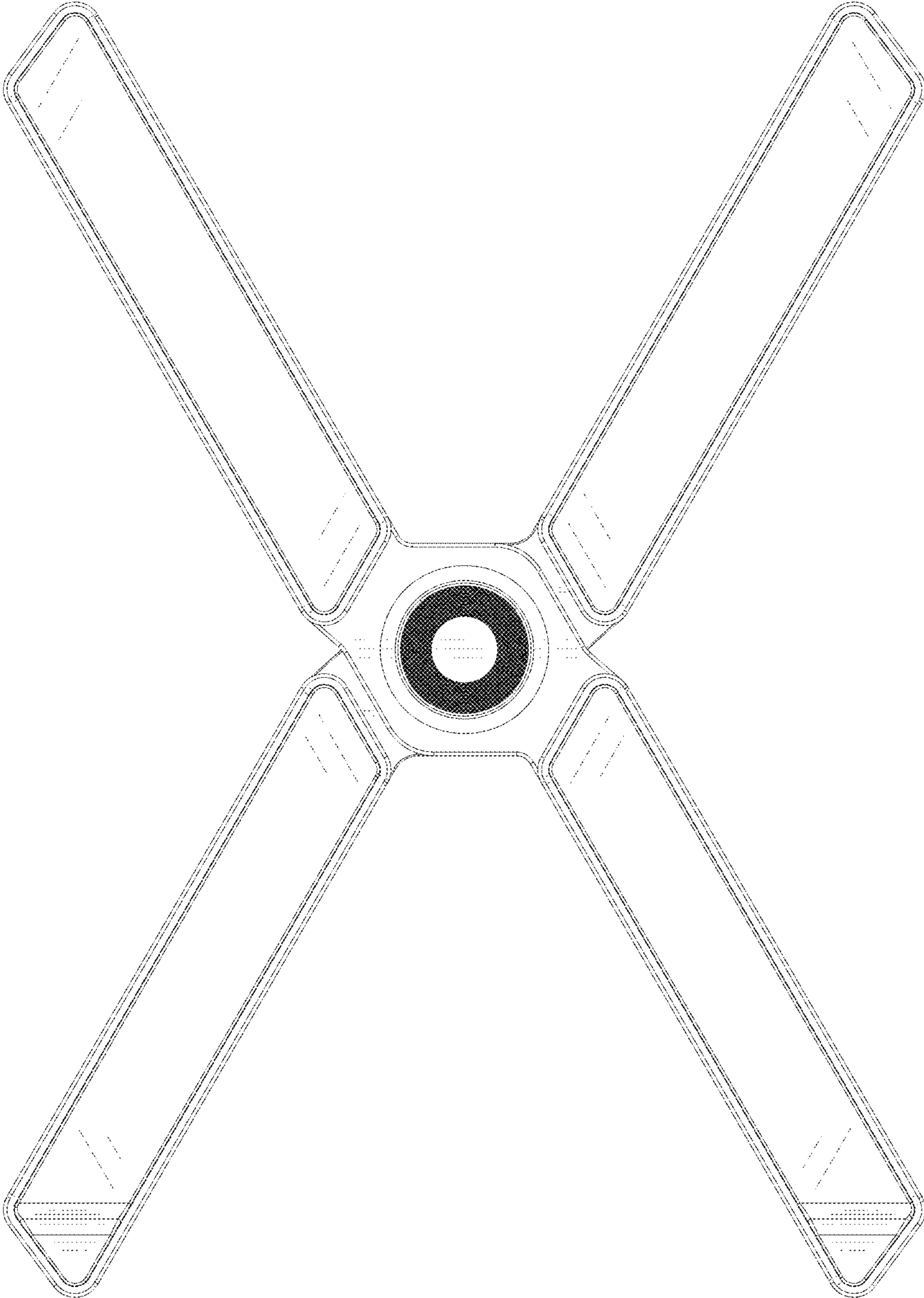


FIG. 3

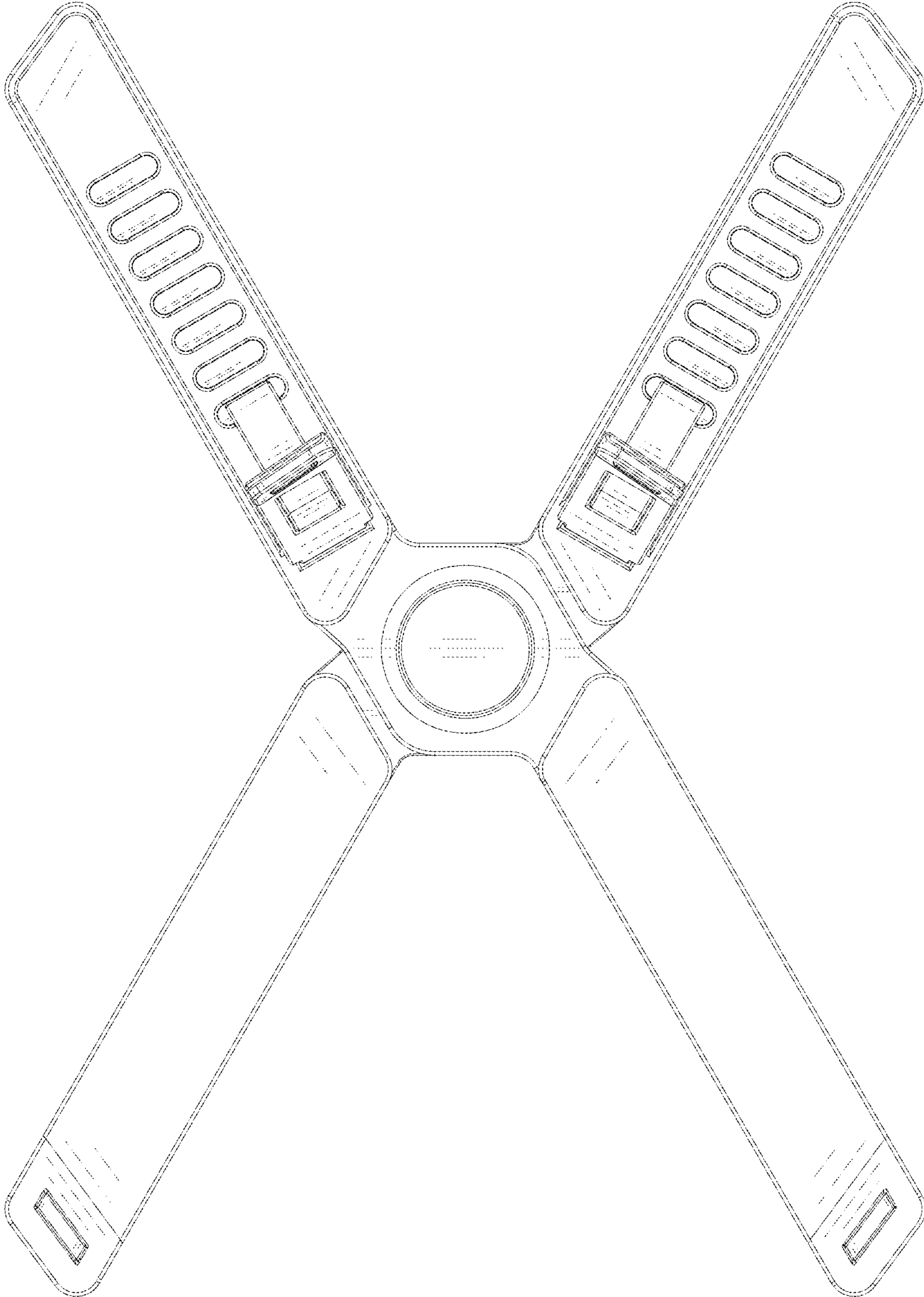


FIG. 4

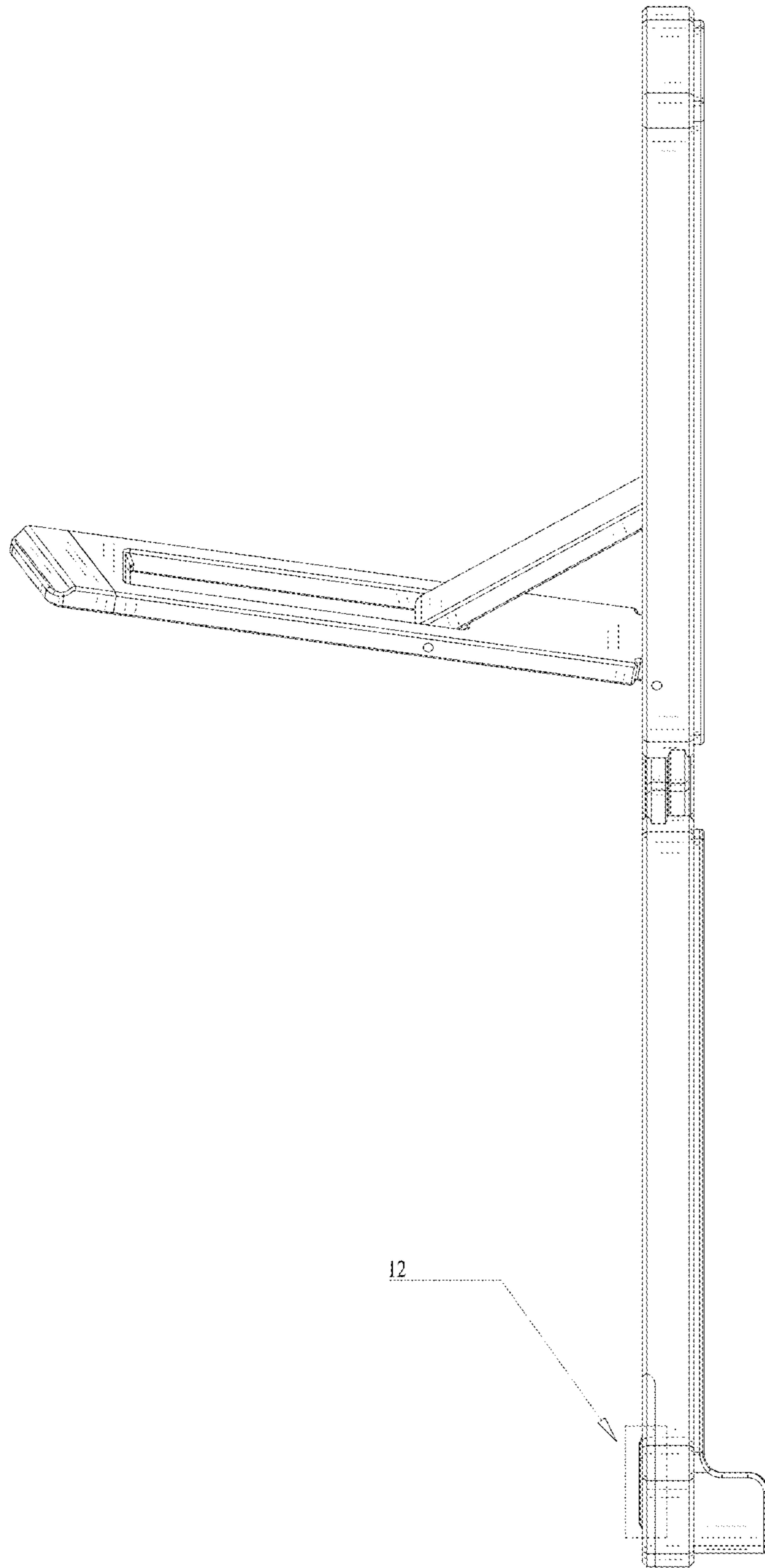


FIG. 5

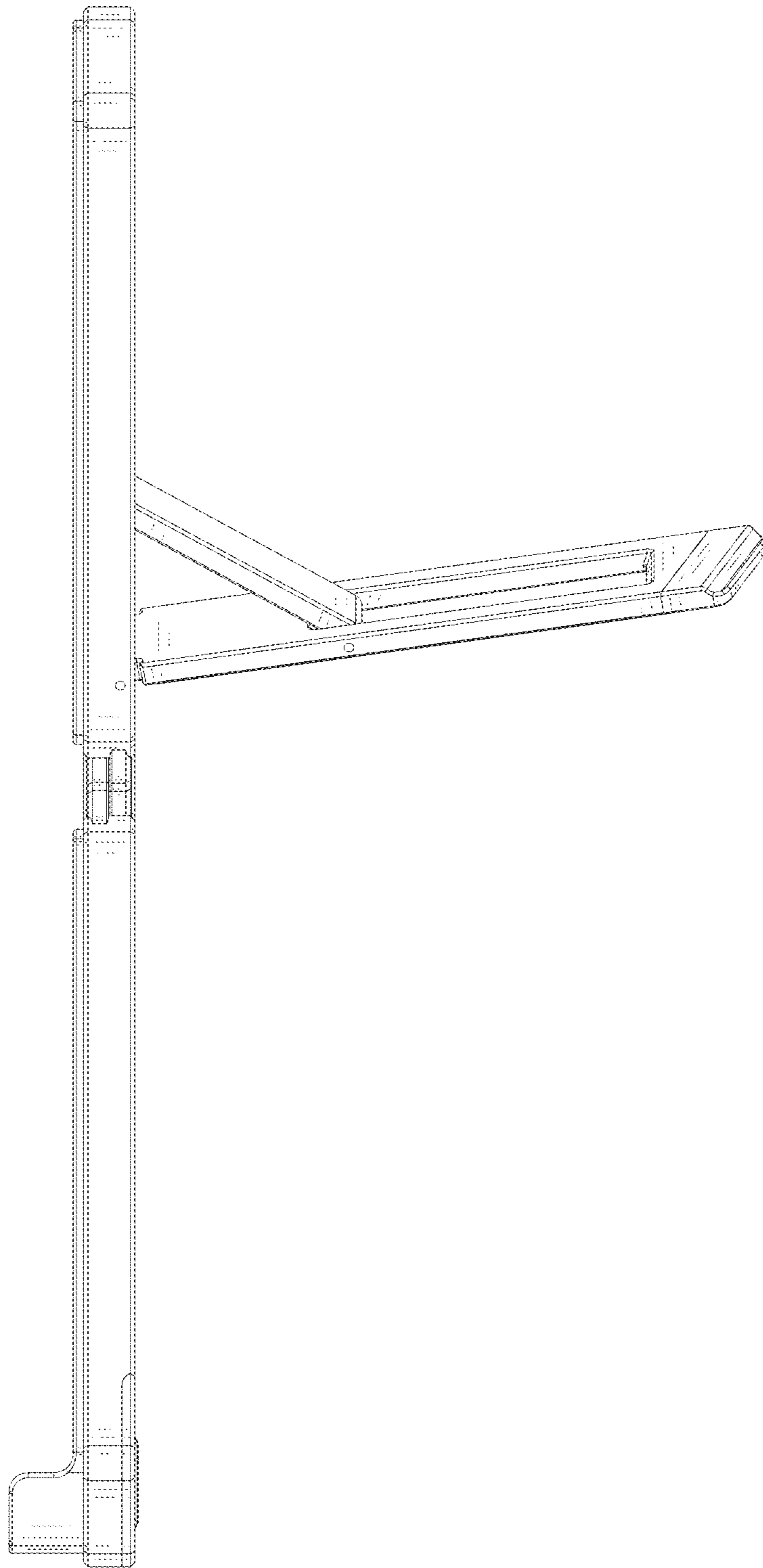


FIG. 6



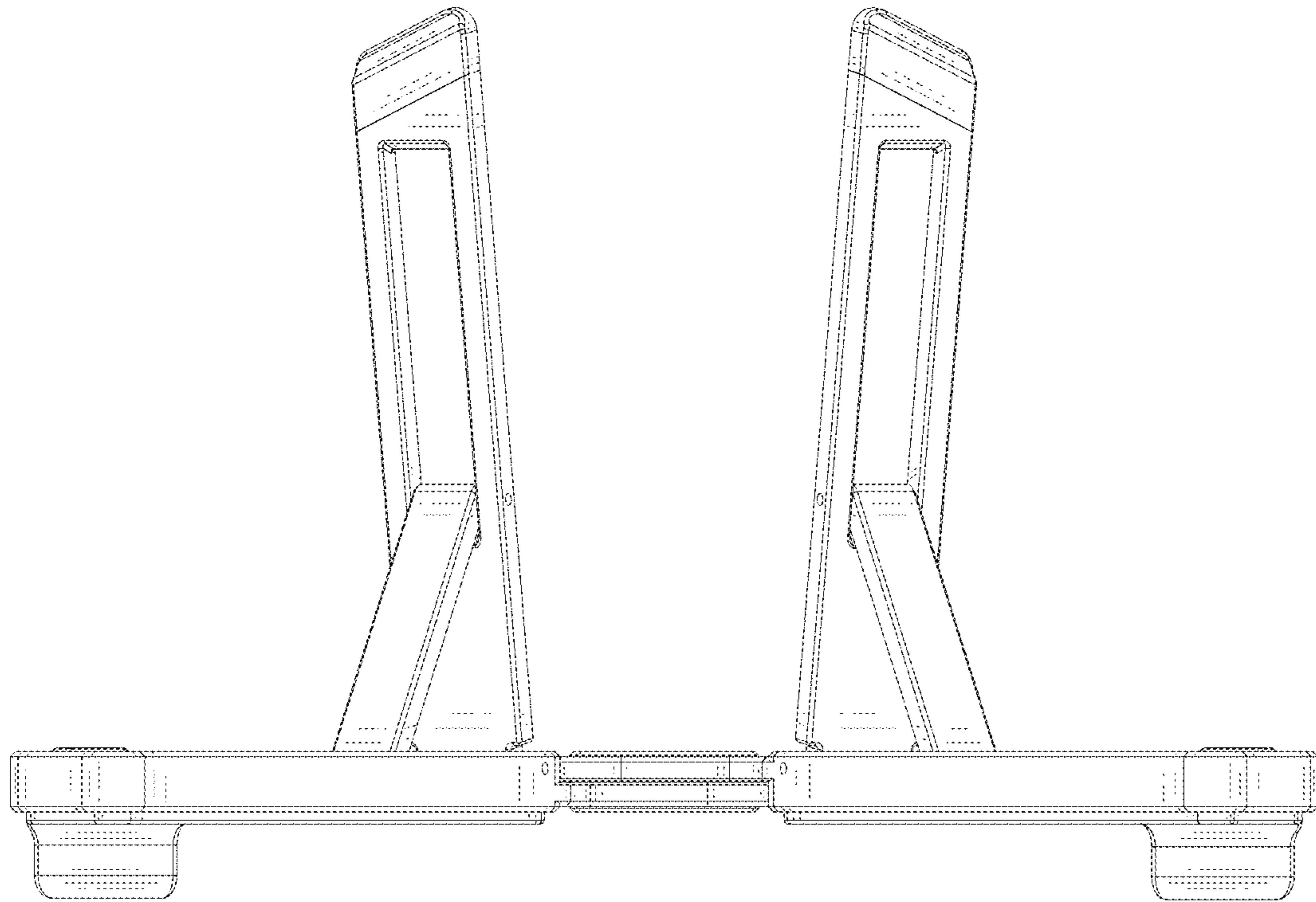


FIG. 7

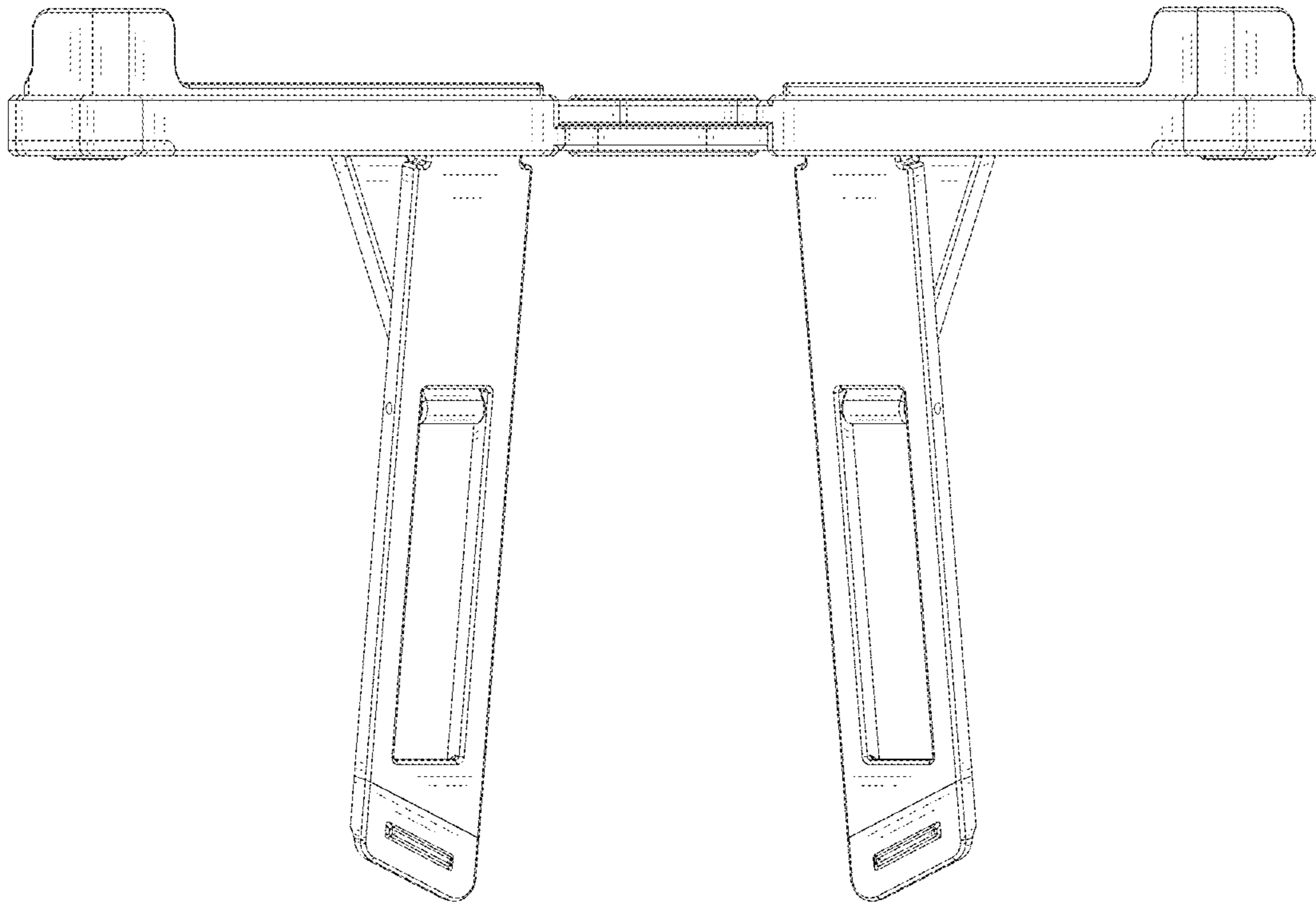


FIG. 8

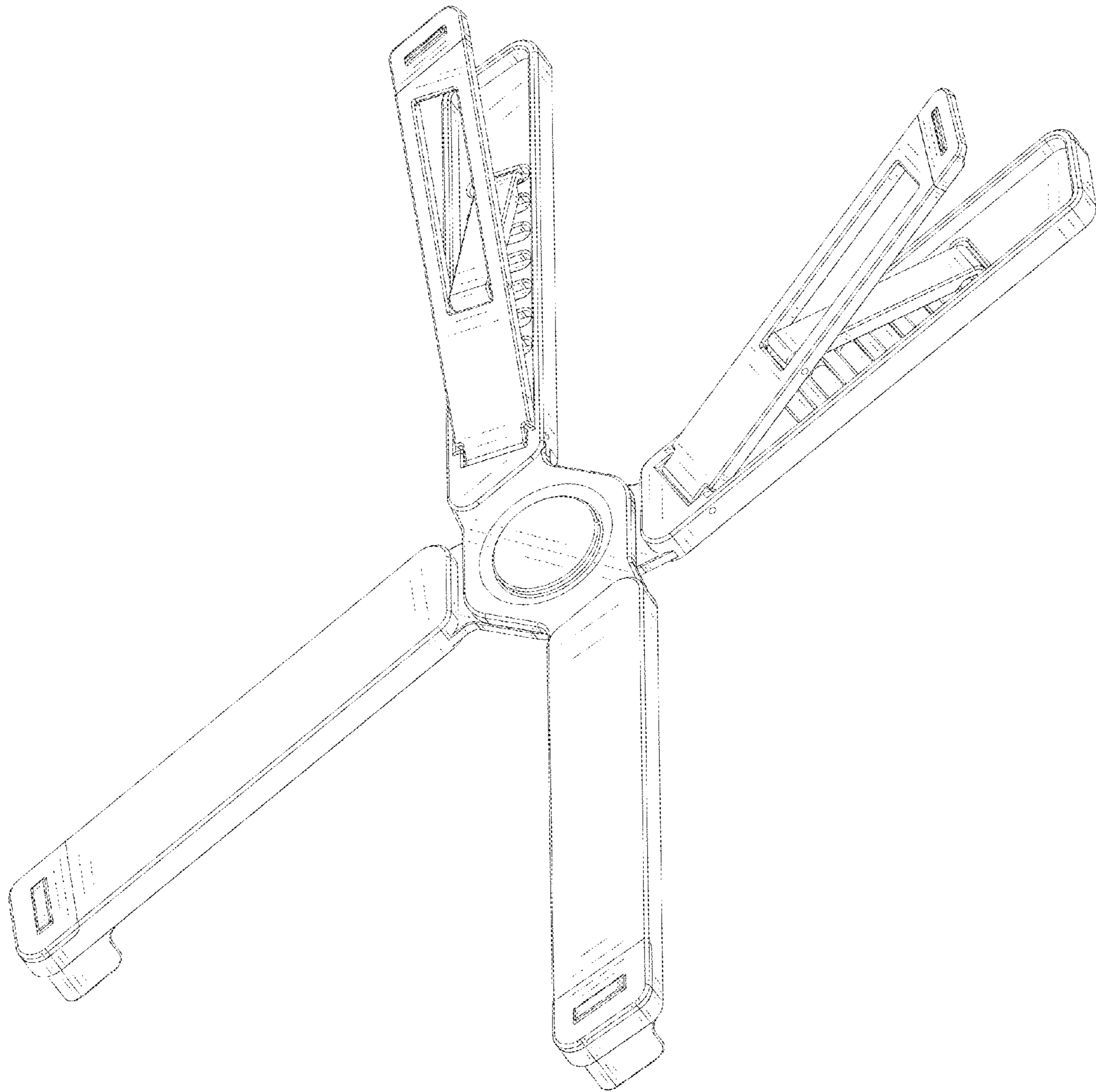


FIG. 9

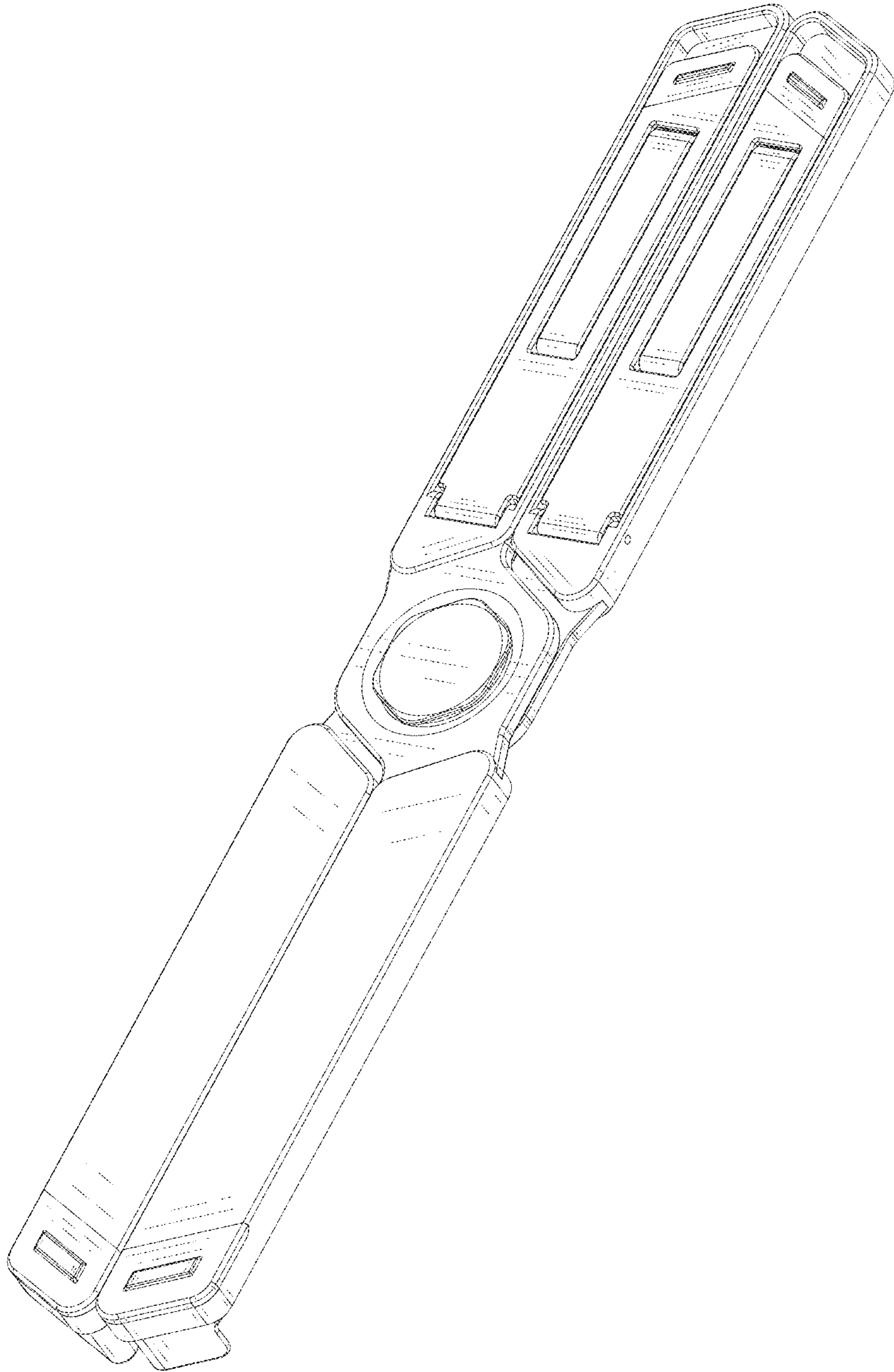


FIG. 10

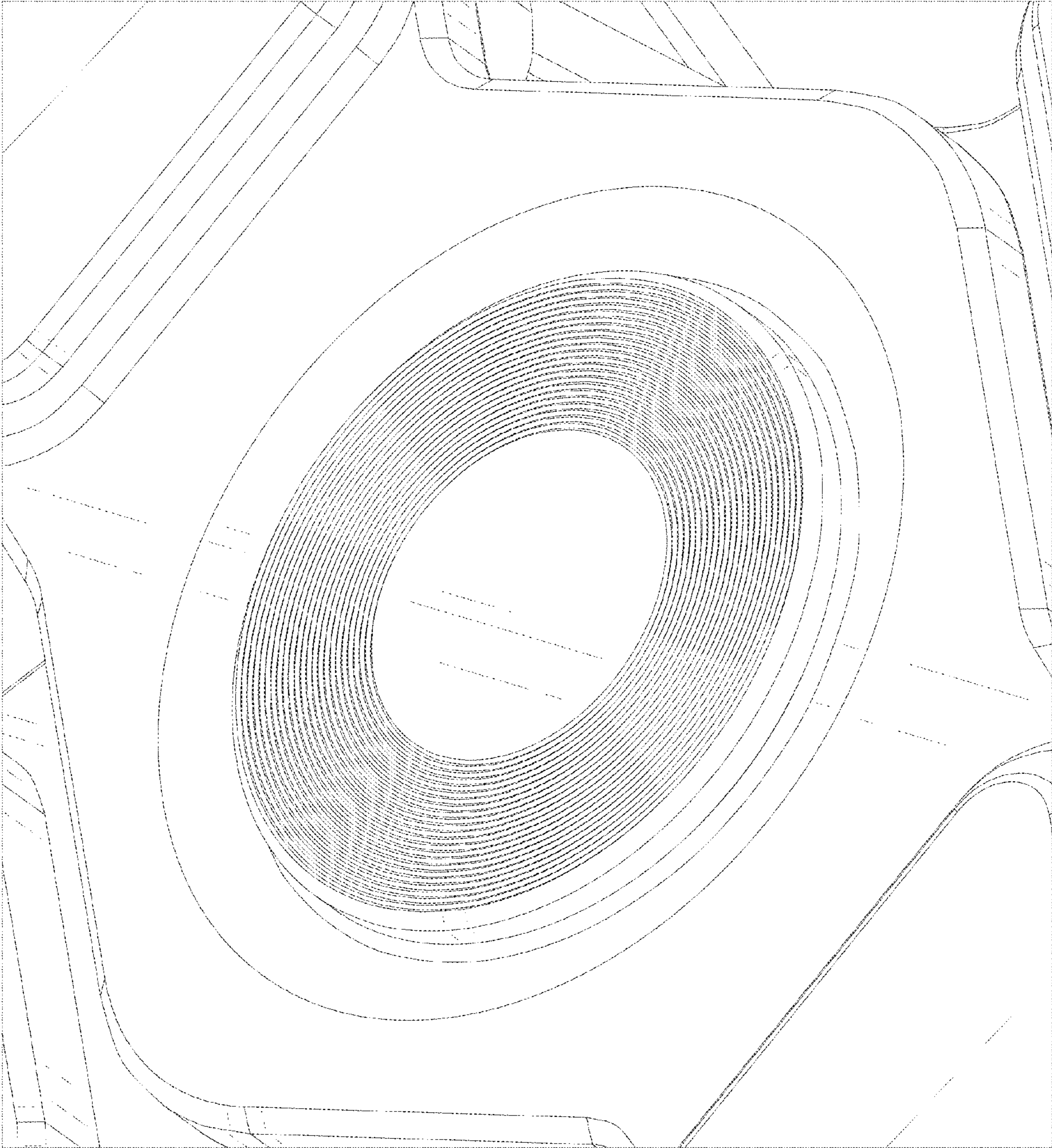


FIG. 11

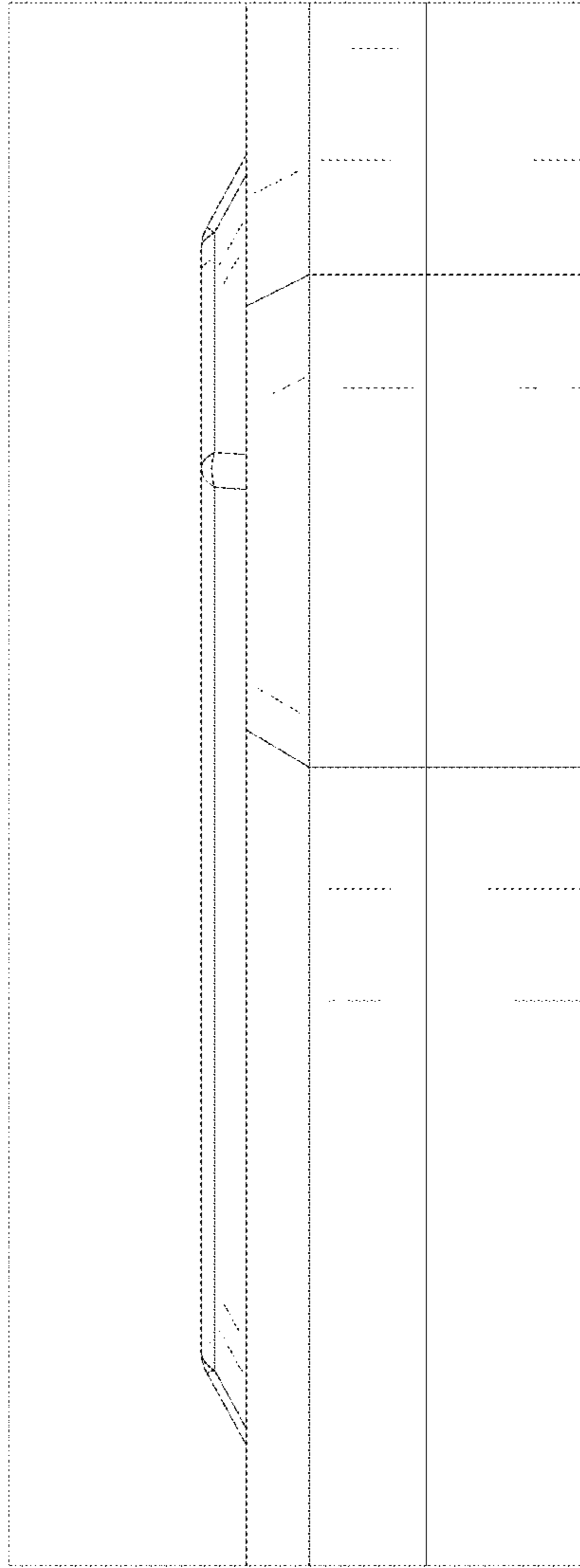


FIG. 12