



US00D952642S

(12) **United States Design Patent**
Beckstead

(10) **Patent No.:** **US D952,642 S**

(45) **Date of Patent:** **** May 24, 2022**

(54) **TOUCHSCREEN EDGE PROTECTOR**

(71) Applicant: **Jason Craig Beckstead**, Scottsdale, AZ
(US)

(72) Inventor: **Jason Craig Beckstead**, Scottsdale, AZ
(US)

(**) Term: **15 Years**

(21) Appl. No.: **29/744,353**

(22) Filed: **Jul. 28, 2020**

(51) **LOC (13) Cl.** **14-02**

(52) **U.S. Cl.**
USPC **D14/440**

(58) **Field of Classification Search**
USPC D14/440, 447, 250; 261/45.23, 320,
261/45.2; 361/679.55; 206/320; 294/25;
224/218

CPC G06F 1/628; G06F 1/626; H04B 1/3555;
H04B 1/3888; A45C 11/00; H05K 5/0217
See application file for complete search history.

(56) **References Cited**

U.S. PATENT DOCUMENTS

D736,777 S * 8/2015 Rayner D14/440
D764,477 S * 8/2016 Su D14/440

D784,349 S * 4/2017 Schwibner D14/440
D792,886 S * 7/2017 Schwibner D14/440
D817,334 S * 5/2018 Fenton D14/440
D852,201 S * 6/2019 Chan D14/440
D856,340 S * 8/2019 Tur D14/440
D857,022 S * 8/2019 Tur D14/440
D864,210 S * 10/2019 Chan D14/440
D868,791 S * 12/2019 Weng D14/440
D902,934 S * 11/2020 Manzano D14/440
D910,640 S * 2/2021 Li D14/440

* cited by examiner

Primary Examiner — Cynthia R Underwood

(74) *Attorney, Agent, or Firm* — Jason C. Beckstead

(57) **CLAIM**

The ornamental design of a touchscreen edge protector, as shown and described.

DESCRIPTION

FIG. 1 is a front oblique-angled view of the touchscreen edge protector;

FIG. 2 is a front view thereof;

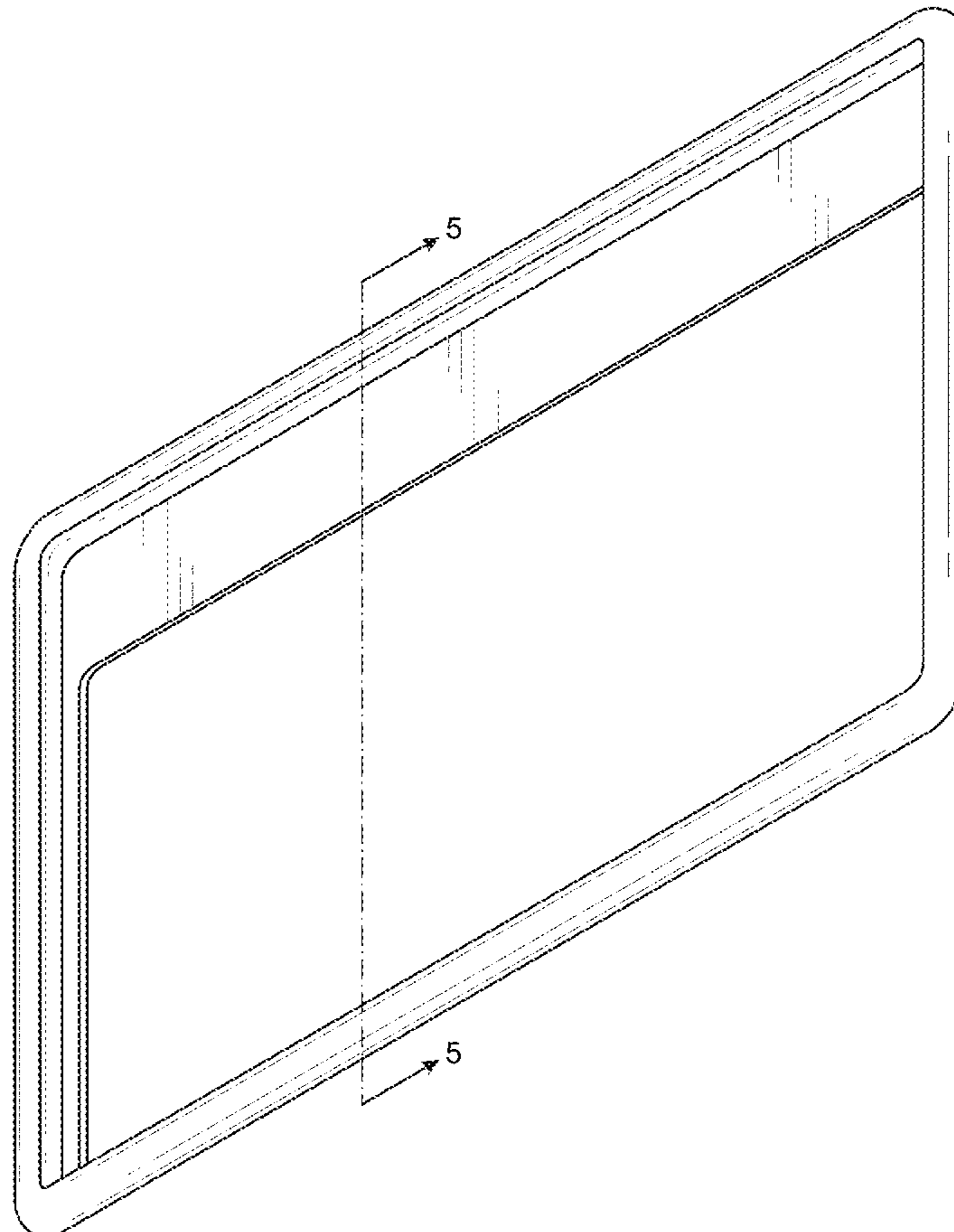
FIG. 3 is a view of the backside thereof; and

FIG. 4 is a view of the right side thereof; and,

FIG. 5 is a cross-section view taken from line 5-5 on FIG. 1.

The phantom line description below has been deleted because there are no broken lines/phantom lines in the drawings.

1 Claim, 5 Drawing Sheets



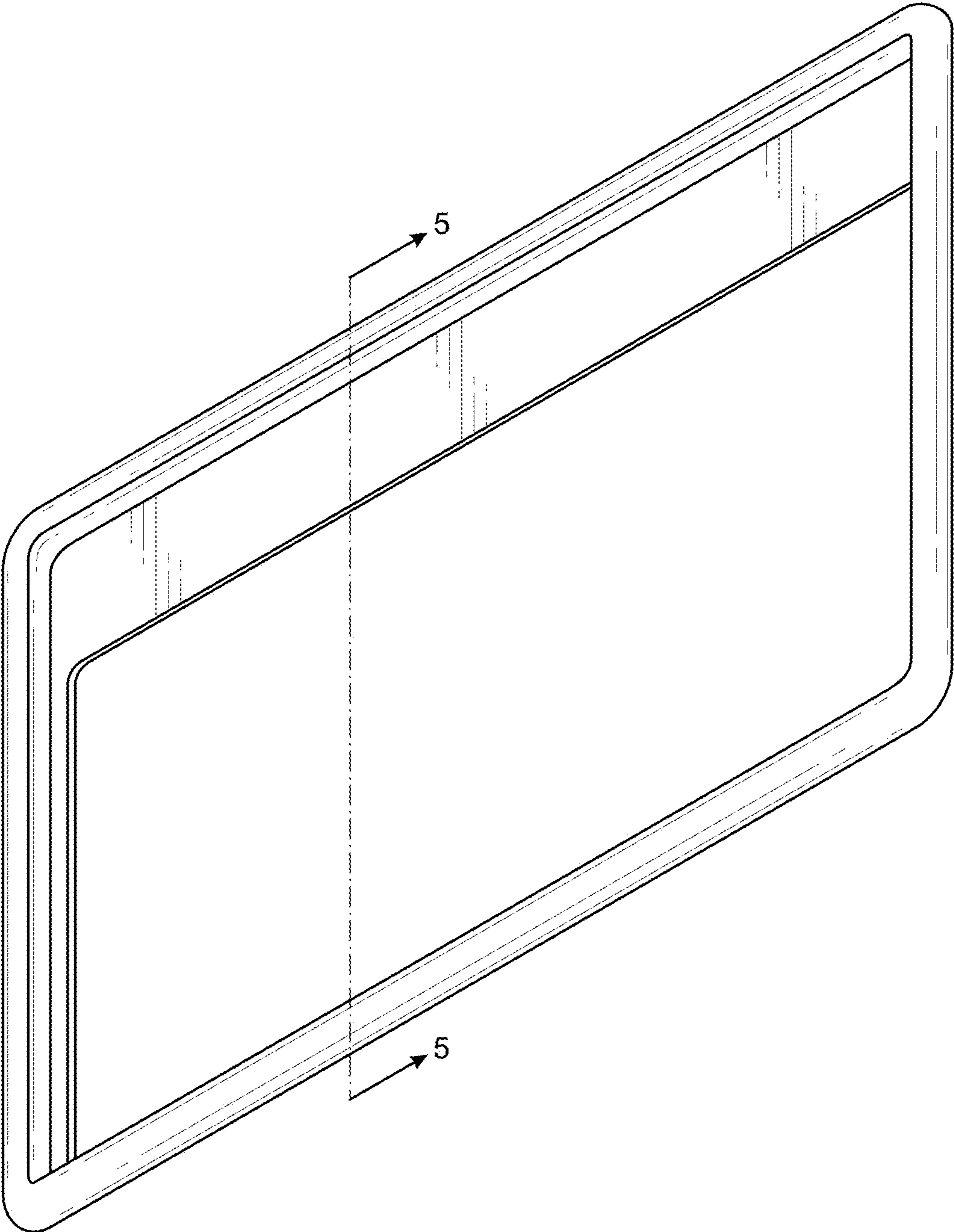


FIG. 1

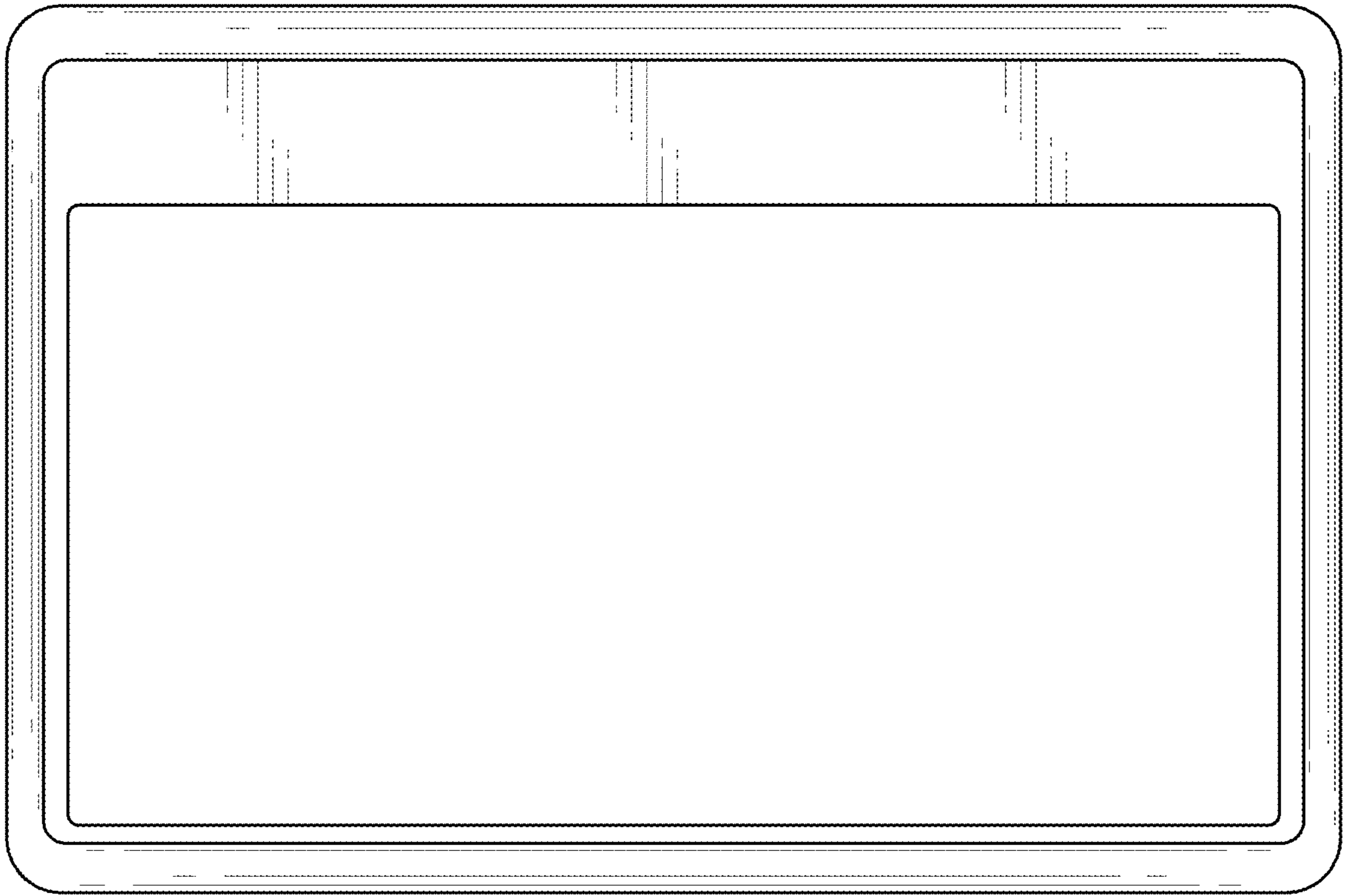


FIG. 2

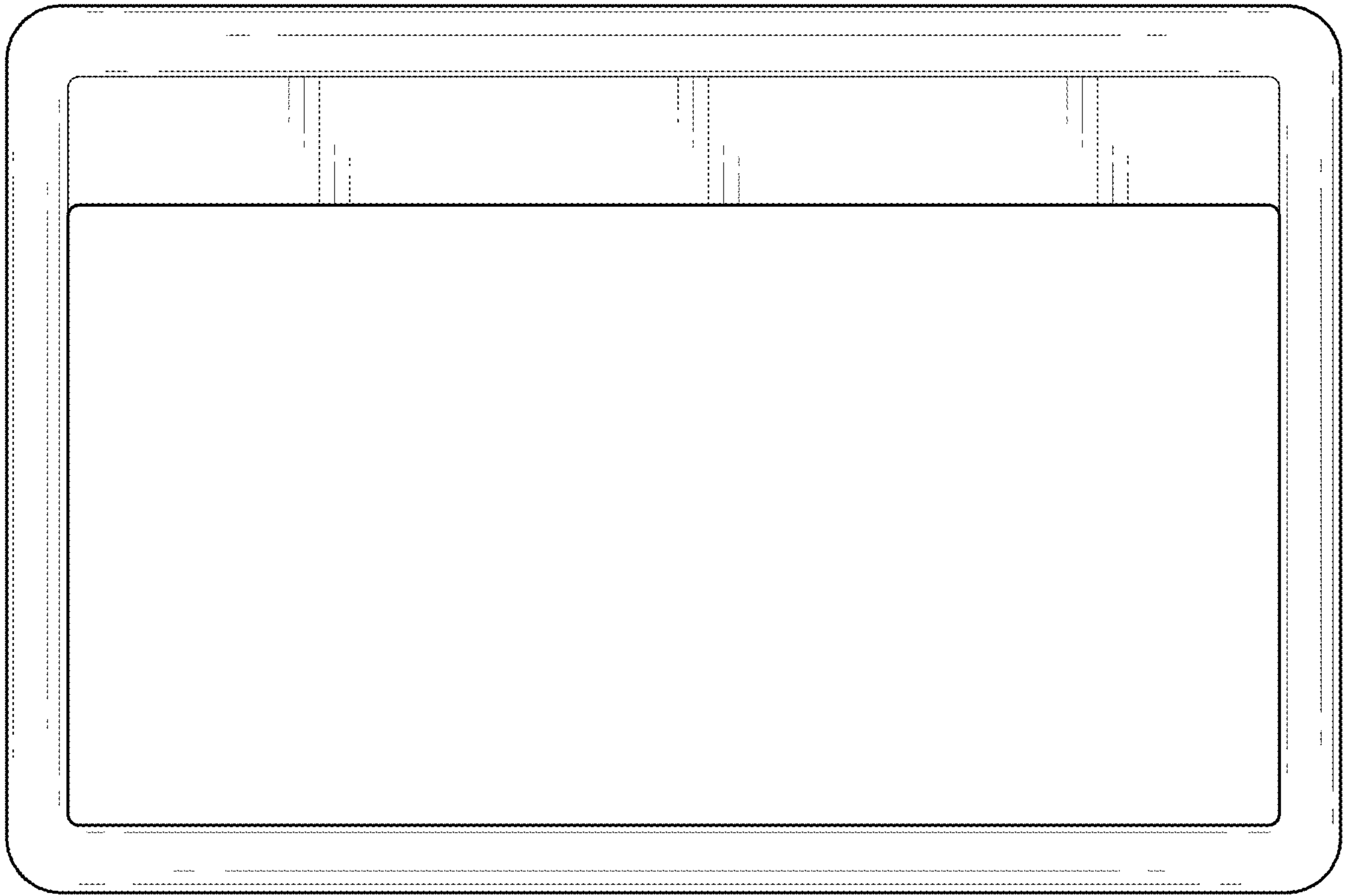


FIG. 3



FIG. 4

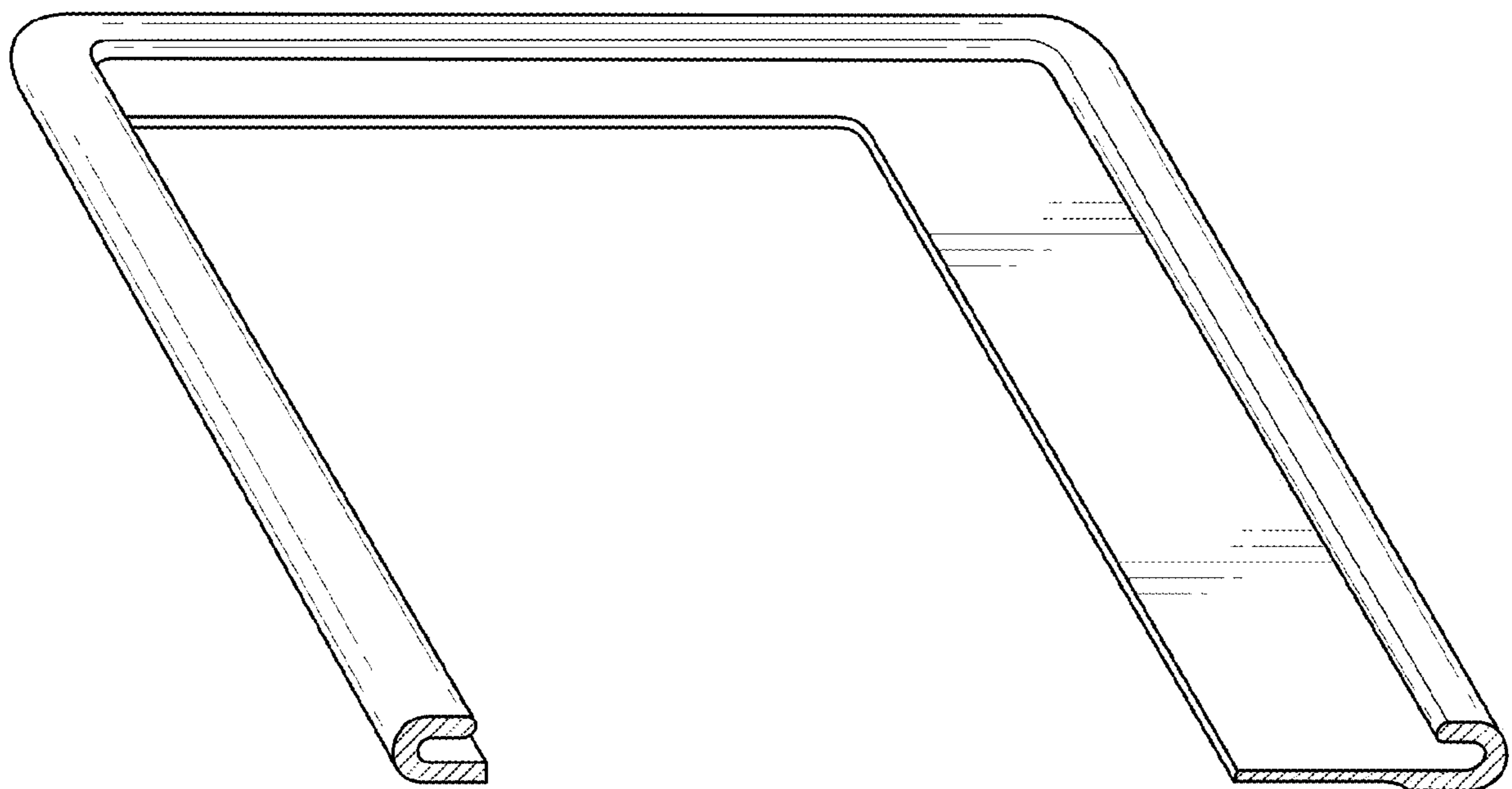


FIG. 5